

# Dell OptiPlex 7470 All-in-One

## Setup and specifications guide



## Notes, cautions, and warnings

 **NOTE:** A NOTE indicates important information that helps you make better use of your product.

 **CAUTION:** A CAUTION indicates either potential damage to hardware or loss of data and tells you how to avoid the problem.

 **WARNING:** A WARNING indicates a potential for property damage, personal injury, or death.

© 2020 Dell Inc. or its subsidiaries. All rights reserved. Dell, EMC, and other trademarks are trademarks of Dell Inc. or its subsidiaries. Other trademarks may be trademarks of their respective owners.

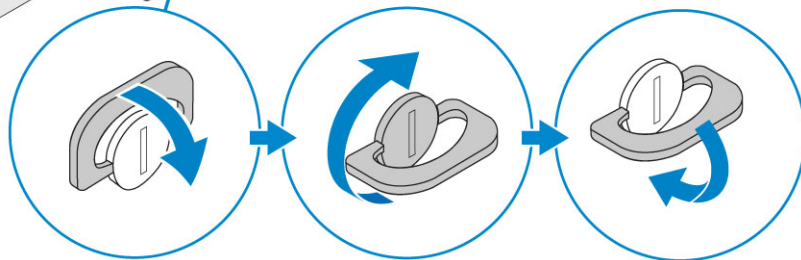
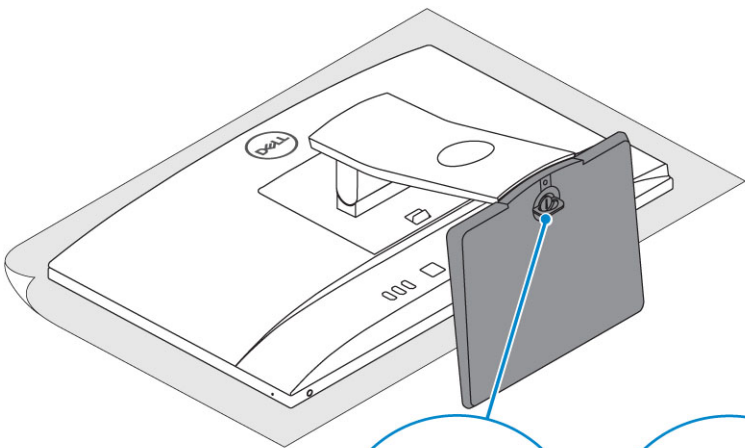
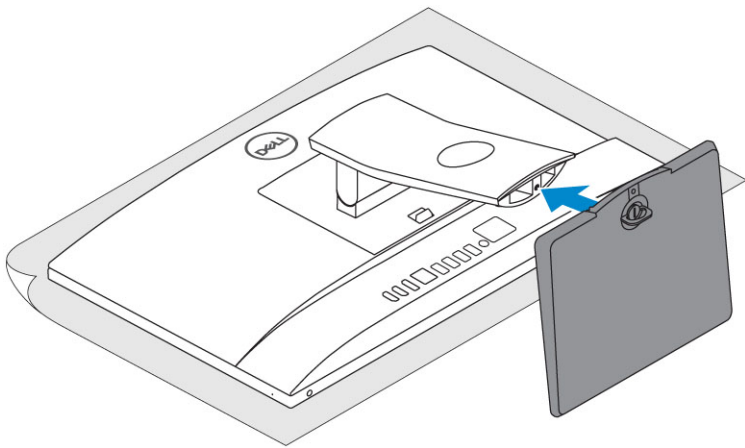
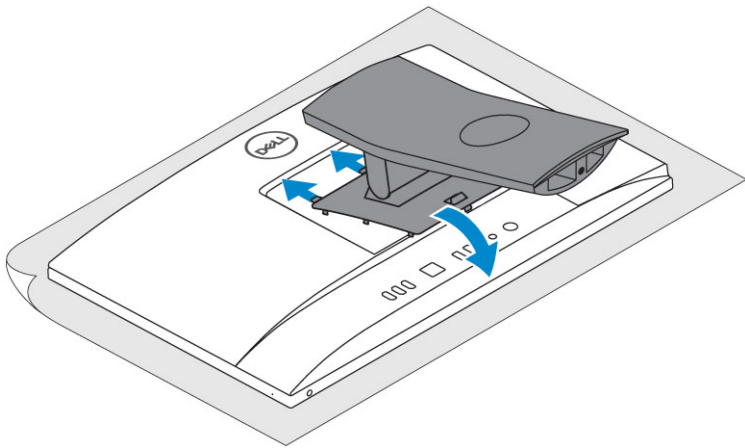
<b>1 Set up your computer.....</b>	<b>5</b>
<b>2 Chassis.....</b>	<b>10</b>
Front chassis view.....	10
Back chassis view.....	11
Left chassis view.....	12
Right chassis view.....	12
Bottom chassis view.....	13
Transform.....	13
Basic All-in-One stand.....	13
Height Adjustable stand.....	14
Height adjustable stand with optical drive transform.....	15
Articulating stand.....	15
Pop-Up Camera - optional.....	16
<b>3 System specifications.....</b>	<b>17</b>
Processor.....	17
Memory.....	18
Storage.....	18
Audio.....	19
Video controller.....	20
Web camera.....	20
Communications - Integrated.....	20
External ports and connectors.....	21
Display.....	21
Power.....	22
Physical system dimensions.....	23
Environmental.....	25
<b>4 System setup.....</b>	<b>26</b>
System setup.....	26
Navigation keys.....	26
Boot Sequence.....	27
Entering BIOS setup program.....	27
General screen options.....	27
System configuration screen options.....	28
Security screen options.....	30
Secure boot screen options.....	31
Intel Software Guard Extensions screen options.....	32
Performance screen options.....	32
Power Management screen options.....	33
POST Behavior screen options.....	33
Manageability.....	34
Virtualization support screen options.....	34

Wireless screen options.....	34
Maintenance screen options.....	35
System Log screen options.....	35
Advanced configuration options.....	35
System and setup password.....	35
Assigning a system setup password.....	35
Deleting or changing an existing system setup password.....	36
<b>5 Software.....</b>	<b>37</b>
Operating system.....	37
Downloading drivers.....	37
Intel chipset drivers.....	37
Display adapter drivers.....	38
Audio drivers.....	38
Network drivers.....	38
Camera drivers.....	39
Storage drivers.....	39
Security drivers.....	39
Bluetooth drivers.....	39
USB drivers.....	39
<b>6 Getting help.....</b>	<b>40</b>
Contacting Dell.....	40

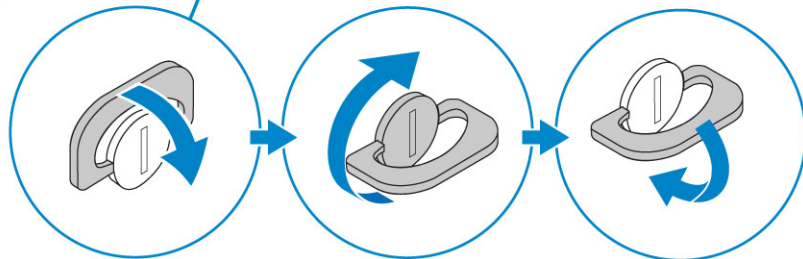
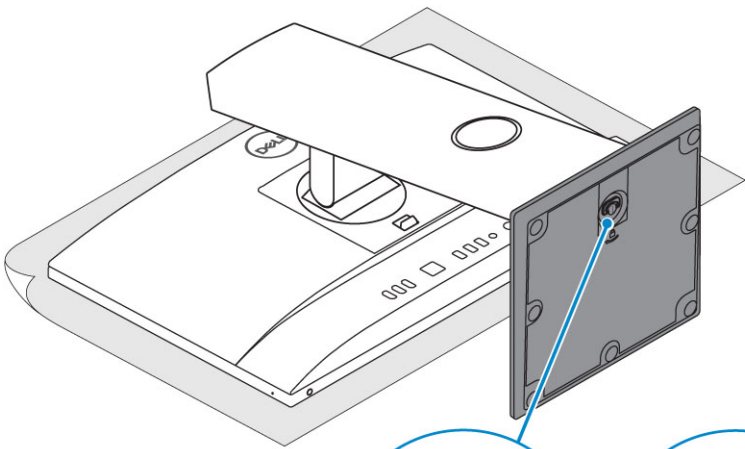
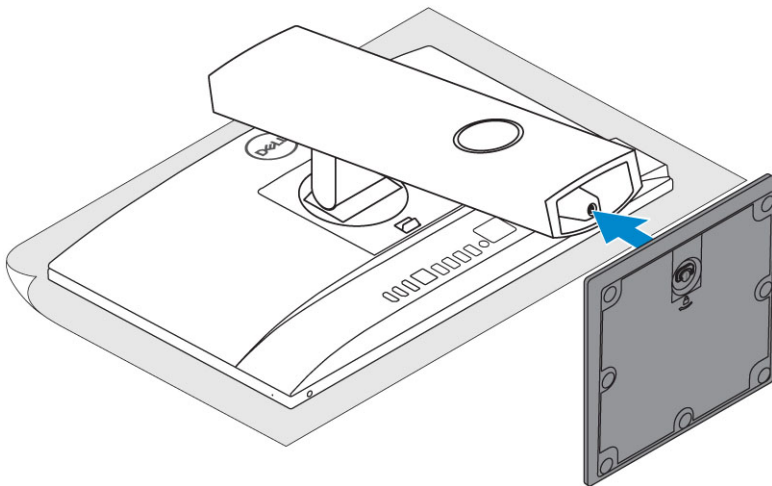
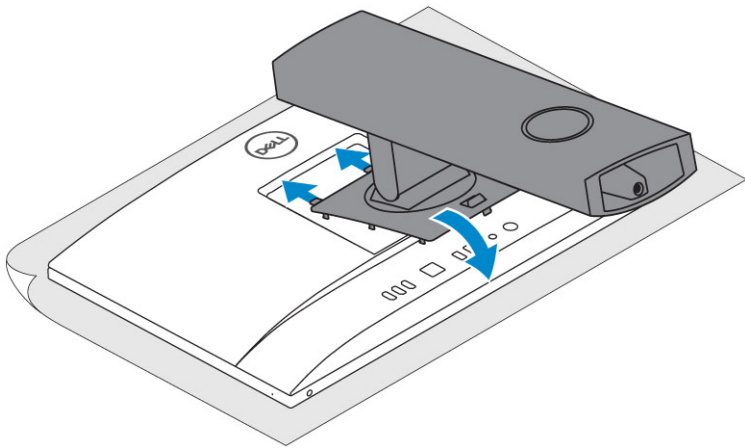
# Set up your computer

1. Set up the stand.

## **Basic All-in-One stand**

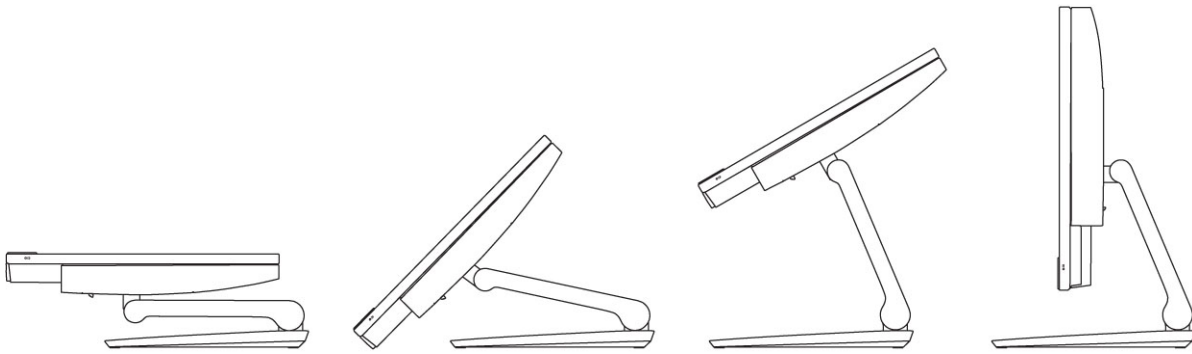


**Height Adjustable stand**



**Articulating stand**

**i** **NOTE:** The stand comes assembled in the box.

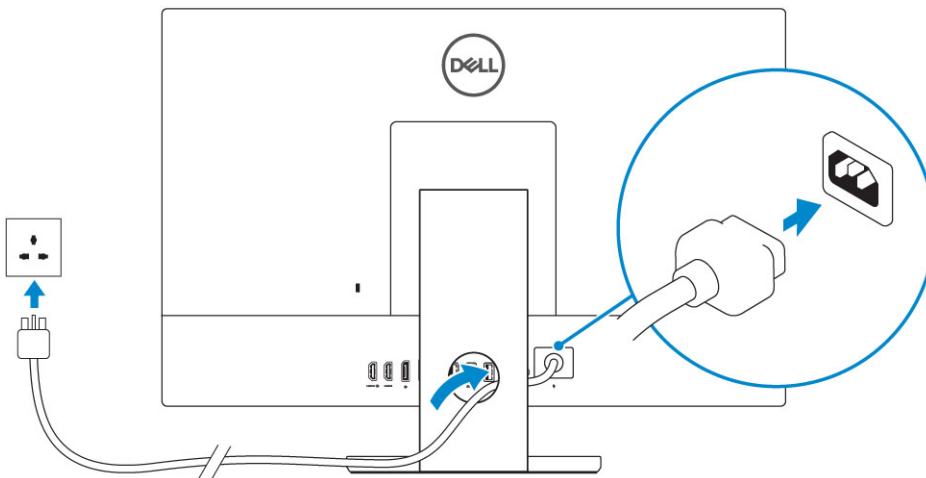


2. Set up the keyboard and mouse.

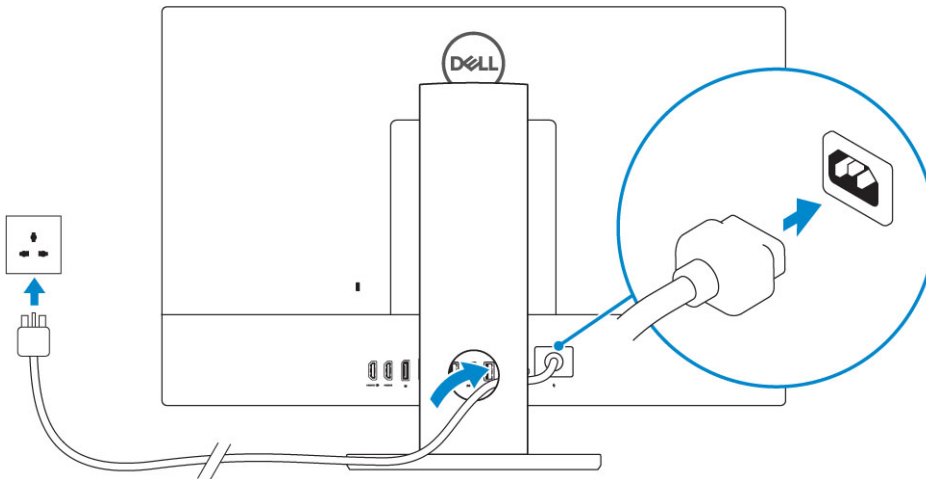
**i** | **NOTE:** See the documentation that shipped with the keyboard and mouse.

3. Route the cable through the stand, then connect the power cable.

**Basic All-in-One stand**

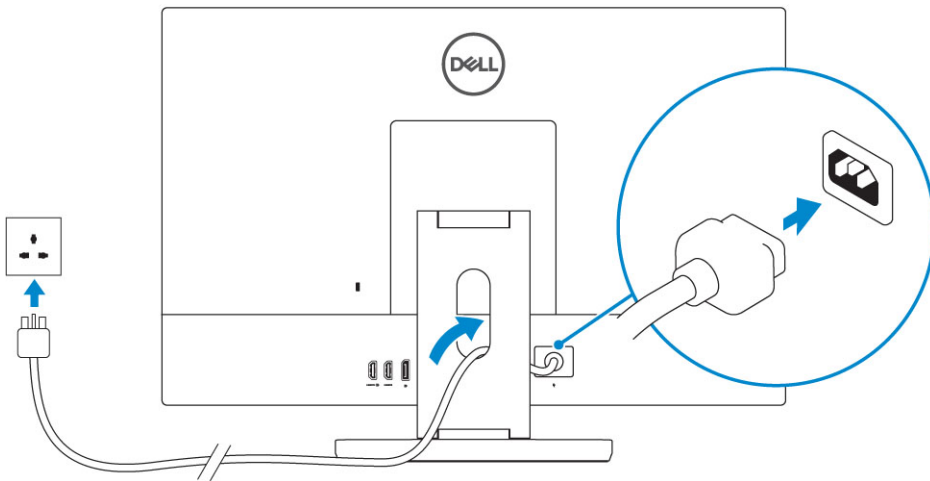


**Height Adjustable stand**

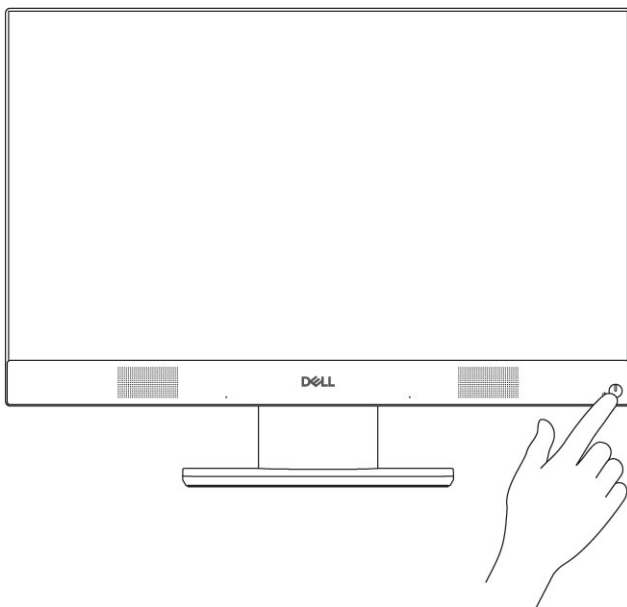


**Articulating stand**





4. Press the power button.

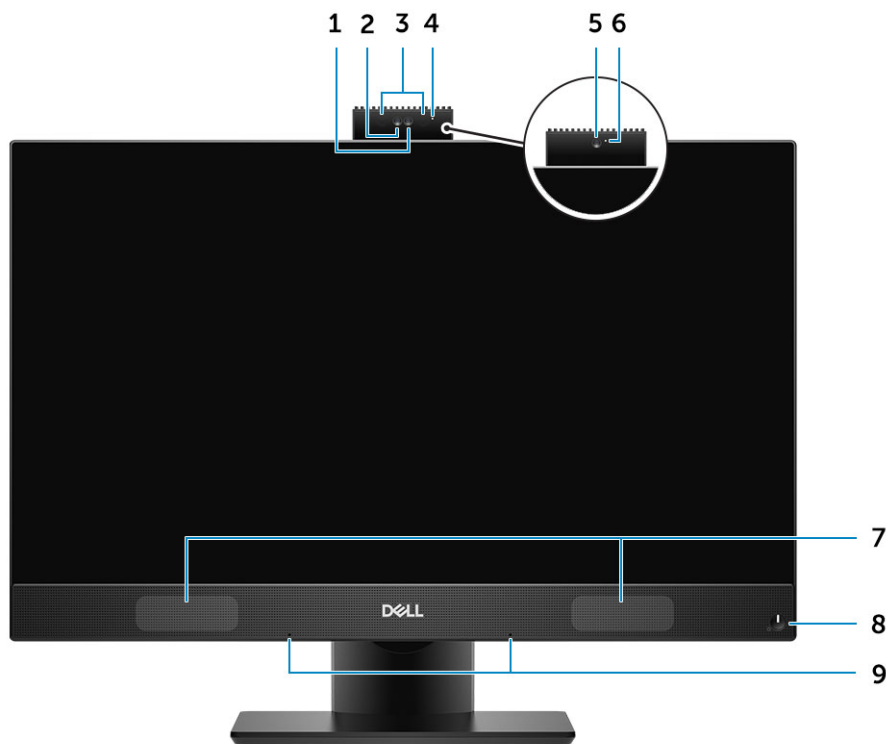


# Chassis

## Topics:

- Front chassis view
- Back chassis view
- Left chassis view
- Right chassis view
- Bottom chassis view
- Transform
- Pop-Up Camera - optional

## Front chassis view



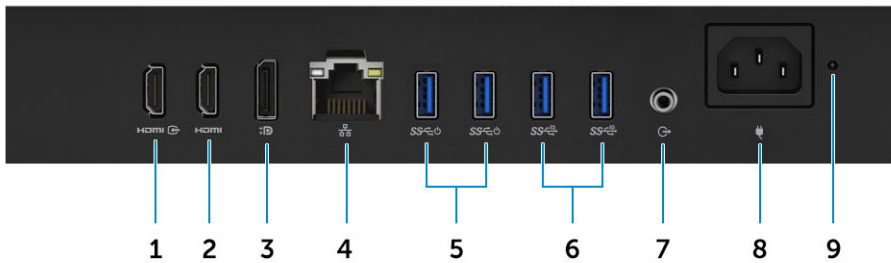
- |   |  |
|---|--|
| 1. Full high-definition (FHD) camera (optional) | 2. FHD infrared (IR) camera (optional) |
| 3. IR emitters (optional)                       | 4. Camera status light (optional)      |
| 5. FHD camera (optional)                        | 6. Camera status light (optional)      |
| 7. Speakers                                     | 8. Power button/Power-status light     |
| 9. Array microphones                            |  |

# Back chassis view



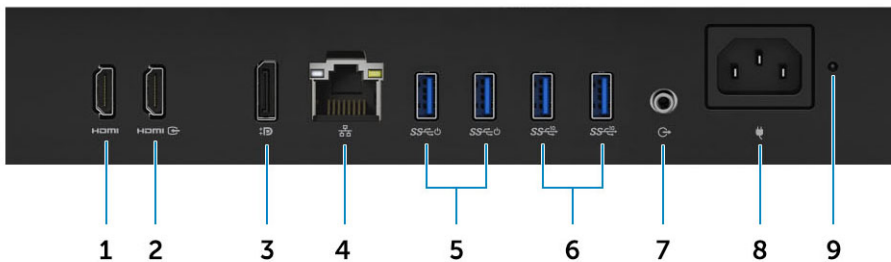
- 1. Back cover
- 2. Security lock slot
- 3. Base cover
- 4. Stand

## UMA version



- 1. HDMI-in port (with discrete graphics card)
- 2. HDMI-out port (optional)
- 3. DisplayPort Dual-Mode Dp++
- 4. Network port
- 5. USB 3.1 Gen 1 ports with Power on/Wake-up support
- 6. USB 3.1 Gen 2 ports with Power on/Wake-up support
- 7. Audio out port
- 8. Power connector port
- 9. Power supply diagnostic light

## dGPU version

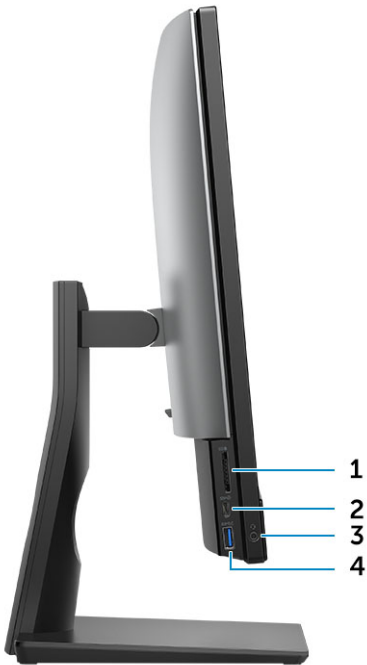


- 1. HDMI-out port (with discrete graphics card)
- 2. HDMI-in port (optional)

- 3. DisplayPort Dual-Mode Dp++
- 5. USB 3.1 Gen 1 ports with Power on/Wake-up support
- 7. Audio out port
- 9. Power supply diagnostic light

- 4. Network port
- 6. USB 3.1 Gen 2 ports with Power on/Wake-up support
- 8. Power connector port

## Left chassis view



- 1. SD card reader
- 3. Headset/Universal audio port

- 2. USB 3.1 Gen 2 Type-C port
- 4. USB 3.1 Gen 1 port with PowerShare

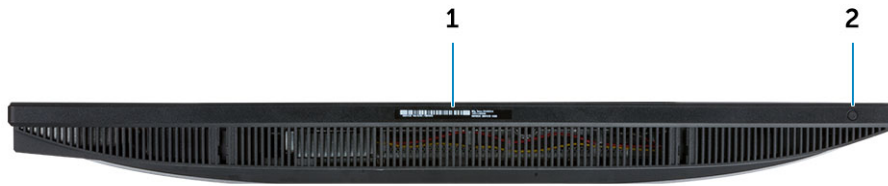
## Right chassis view



- 1

1. Hard drive activity light

## Bottom chassis view



1. Service Tag label
2. Display Built-in Self Test button/Video input selection

## Transform

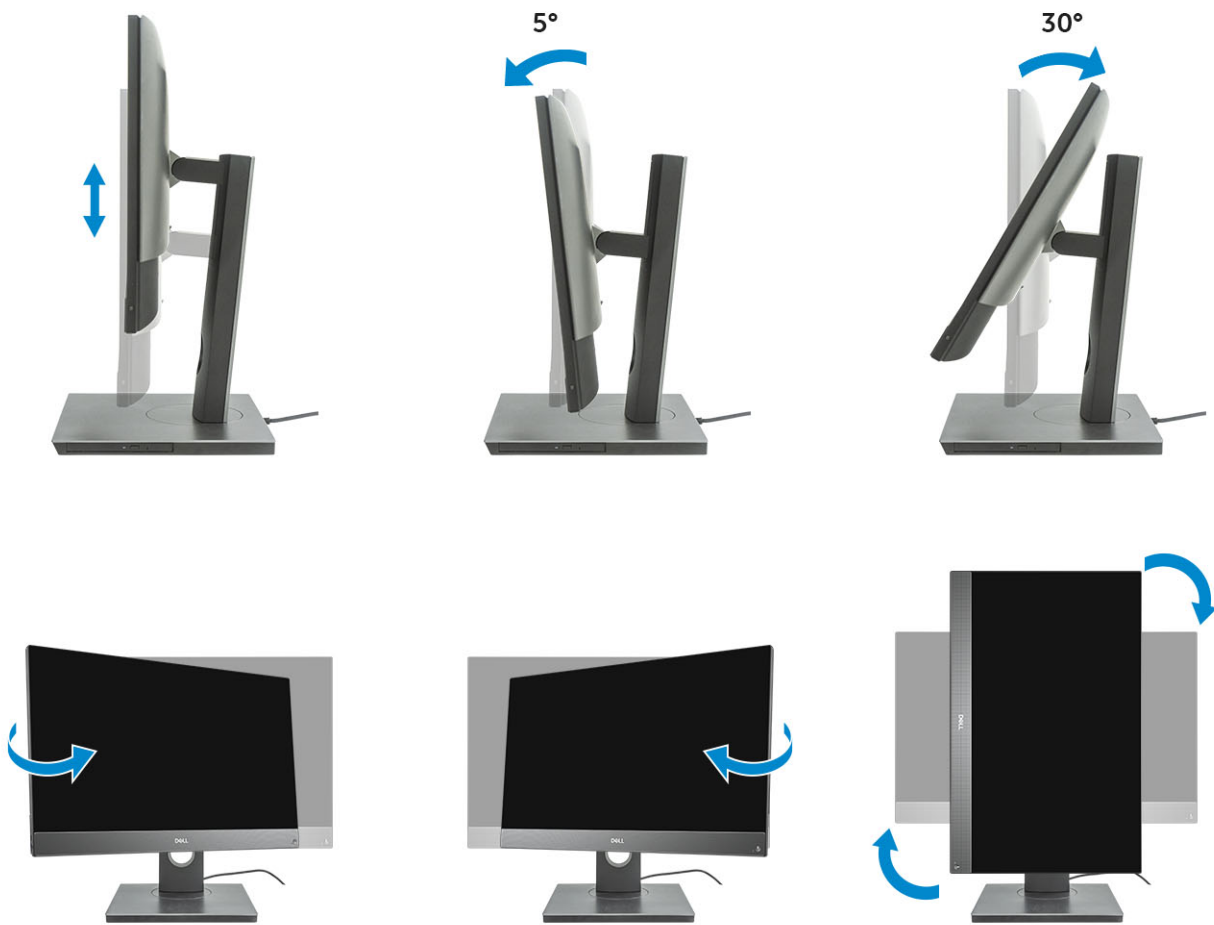
### Basic All-in-One stand



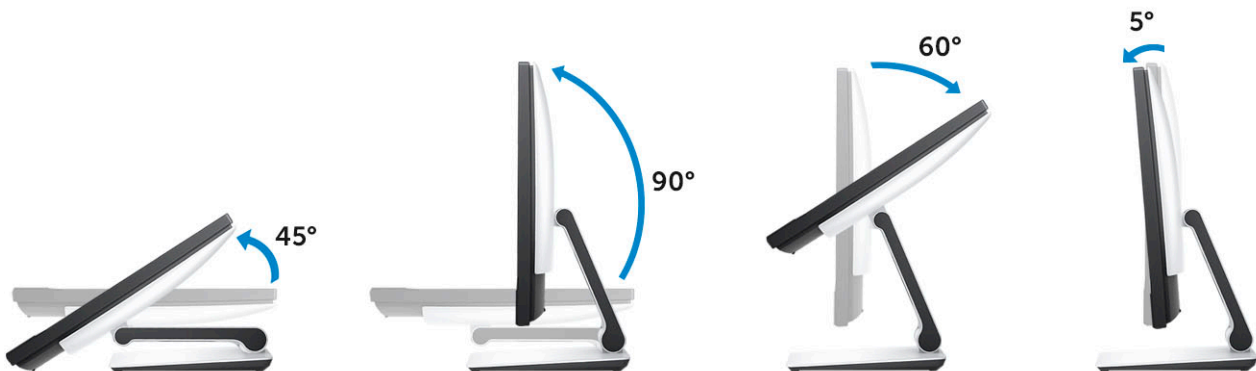
## Height Adjustable stand



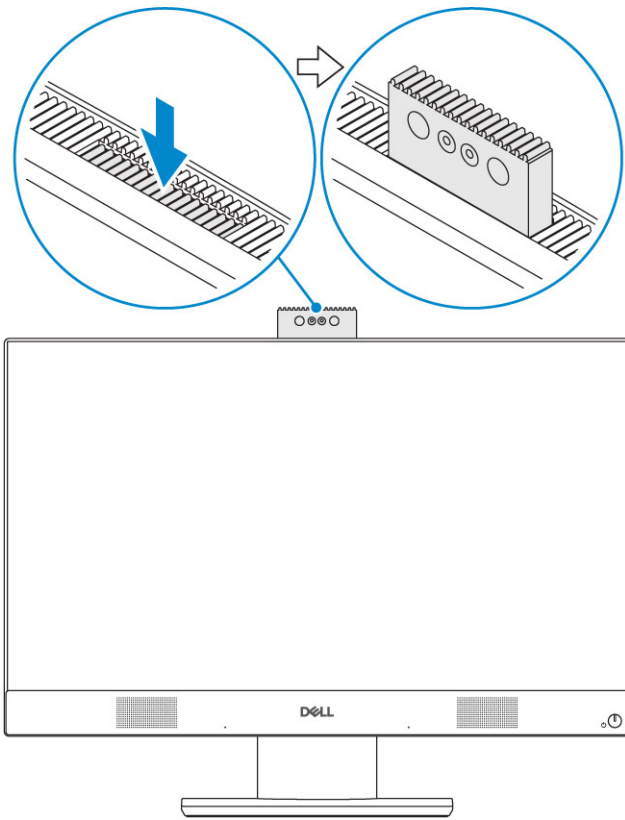
## Height adjustable stand with optical drive transform



## Articulating stand



## Pop-Up Camera - optional



**i** | **NOTE:** Extend the camera while using any camera function so that the camera is not blocked.



# System specifications

**NOTE:** Offerings may vary by region. The following specifications are only those required by law to ship with your computer. For more information about the configuration of your computer, go to Help and Support in your Windows operating system and select the option to view information about your computer.

## Topics:

- [Processor](#)
- [Memory](#)
- [Storage](#)
- [Audio](#)
- [Video controller](#)
- [Web camera](#)
- [Communications - Integrated](#)
- [External ports and connectors](#)
- [Display](#)
- [Power](#)
- [Physical system dimensions](#)
- [Environmental](#)

## Processor

Global Standard Products (GSP) are a subset of Dell's relationship products that are managed for availability and synchronized transitions on a worldwide basis. They ensure the same platform is available for purchase globally. This allows customers to reduce the number of configurations managed on a worldwide basis, thereby reducing their costs. They also enable companies to implement global IT standards by locking in specific product configurations worldwide. The following GSP processors identified below will be made available to Dell customers.

Device Guard (DG) and Credential Guard (CG) are the security features available on Windows 10 Enterprise. Device Guard is a combination of enterprise-related hardware and software security features, when configured together, will lock a device down so that it can only run trusted applications. Credential Guard uses virtualization-based security to isolate secrets (credentials) so that only privileged system software can access them. Unauthorized access to these secrets can lead to credential theft attacks. Credential Guard prevents these attacks by protecting NTLM password hashes and Kerberos Ticket Granting Tickets.

**NOTE:** Processor numbers are not a measure of performance. Processor availability is subject to change and may vary by region/country.

**Table 1. 9th Generation Intel Core Processor specifications**

### Type

---

Intel Core i3 - 9100 (4 Cores/6MB/4T/up to 4.2GHz/65W)
Intel Core i3 - 9300 (4 Cores/8MB/4T/up to 4.3GHz/65W)
Intel Core i5 - 9400 (6 Cores/9MB/6T/up to 4.1GHz/65W)
Intel Core i5 - 9500 (6 Cores/9MB/6T/up to 4.4GHz/65W)
Intel Core i5 - 9600 (6 Cores/9MB/6T/up to 4.6GHz/95W)
Intel Core i7 - 9700 (8 Cores/12MB/8T/up to 4.9GHz/95W)
Intel Core i9 - 9900 (8 Cores/16MB/16T/up to 5.0GHz/95W)

**Table 2. 8th Generation Intel Core Processor specifications**

**Type**

- Intel Core i3 - 8100 (4 Cores/6MB/4T/3.6GHz/65W)
- Intel Core i3 - 8300 (4 Cores/8MB/4T/3.7GHz/65W)
- Intel Core i5 - 8400 (6 Cores/9MB/6T/up to 4.0GHz/65W)
- Intel Core i5 - 8500 (6 Cores/9MB/6T/up to 4.1GHz/65W)
- Intel Core i5 - 8600 (6 Cores/9MB/6T/up to 4.3GHz/65W)
- Intel Core i7 - 8700 (6 Cores/12MB/12T/up to 4.6GHz/65W)

## Memory

**Table 3. Memory specifications**

Minimum memory configuration	4 GB (1 x 4GB module)
Maximum memory configuration	32 GB
Number of slots	2 SODIMM
Maximum memory supported per slot	16 GB
Memory options	<ul style="list-style-type: none"><li>4 GB - 1 x 4 GB</li><li>8 GB - 1 x 8 GB</li><li>8 GB - 2 x 4 GB</li><li>16 GB - 1 x 16 GB</li><li>16 GB - 2 x 8 GB</li><li>32 GB - 2 x 16 GB</li></ul>
Type	DDR4 SDRAM Non-ECC memory
Speed	<ul style="list-style-type: none"><li>2666 MHz</li><li>2400 MHz on i3 processor</li></ul>

**NOTE:** Intel Optane Memory does not replace DDR memory or add to RAM capacity.

## Storage

**Table 4. Storage specifications**

Primary/Boot drive	Form Factor	Capacity
One Solid-State Drive (SSD)	M.2 2280	Up to 2 TB
One 2.5 inch Hard-Disk Drive (HDD)	Approximately (2.760 x 3.959 x 0.374 inches)	Up to 2 TB
One 2.5 inch Solid-State Hybrid Drive (SSHD)	Approximately (2.760 x 3.959 x 0.276 inches)	Up to 1 TB
Intel Optane memory	M.2 2280	16 GB and 32 GB

**NOTE:** Optical disk drive is offered separately through the height adjustable stand.

**Table 5. Storage configurations**

Primary/Boot drive	Form Factor
1 x M.2 Drive	NA
1 x M.2 Drive	1 x 2.5 inch Drive
1 x 2.5 inch Drive	NA
1 x 2.5 inch HDD with M.2 Optane	NA

**NOTE: Supports RAID 0 and 1 with M.2 SATA SSD and 2.5" SSD/HDD. RAID 0 and 1 are not supported with M.2 PCIe SSD and 2.5" SSD/HDD due to different interface types. It is not available with Optane memory (Available from August 2019).**

For optimal performance when configuring drives as a RAID volume, Dell recommends drive models that are identical.

RAID 0 (Striped, Performance) volumes benefit from higher performance when drives are matched because the data is split across multiple drives: any IO operations with block sizes larger than the stripe size will split the IO and become constrained by the slowest of the drives. For RAID 0 IO operations where block sizes are smaller than the stripe size, whichever drive the IO operation targets will determine the performance, which increases variability and results in inconsistent latencies. This variability is particularly pronounced for write operations and it can be problematic for applications that are latency sensitive. One such example of this is any application that performs thousands of random writes per second in very small block sizes.

RAID 1 (Mirrored, Data Protection) volumes benefit from higher performance when drives are matched because the data is mirror across multiple drives: all IO operations must be performed identically to both drives, thus variations in drive performance when the models are different results in the IO operations completing only as fast as the slowest drive. While this does not suffer the variable latency issue in small random IO operations as with RAID 0 across heterogeneous drives, the impact is nonetheless large because the higher performing drive becomes limited in all IO types. One of the worst examples of constrained performance here is when using unbuffered IO. To ensure writes are fully committed to non-volatile regions of the RAID volume, unbuffered IO bypasses cache (for example by using the Force Unit Access bit in the NVMe protocol) and the IO operation will not complete until all the drives in the RAID volume have completed the request to commit the data. This kind of IO operation completely negates any advantage of a higher performing drive in the volume.

Care must be taken to match not only the drive vendor, capacity, and class, but also the specific model. Drives from the same vendor, with the same capacity, and even within the same class, can have very different performance characteristics for certain types of IO operations. Thus, matching by model ensures that the RAID volumes is comprised of an homogeneous array of drives that will deliver all the benefits of a RAID volume without incurring the additional penalties when one or more drives in the volume are lower performing.

When RAID is used for two non-identical drives (i.e. M.2 + 2.5 inch), performance will be at the speed of the slower drive in the array.

## Audio

**Table 6. Audio**

### Integrated Realtek ALC3289 High Definition Audio

High Definition Stereo support	Yes
Number of channels	2
Number of Bits / Audio resolution	16, 20, and 24-bit resolution
Sampling rate (recording/playback)	Support 44.1K/48K/96K/192 kHz sample rates
Signal to Noise Ratio	98 dB DAC outputs, 92 dB for ADC inputs
Analog Audio	Yes
Waves MaxxAudio Pro	Yes

### Audio Jack Impedance

Microphone	40K ohm~60K ohm
Line-In	N/A
Line-Out	100~150 ohm
Headphone	1~4 ohm
Internal Speaker Power Rating	3 Watt (average) / 4 Watt (peak)

# Video controller

**Table 7. Video**

Controller	Type	Graphics memory type
Intel UHD Graphics 630	UMA	Integrated
NVIDIA GeForce GTX 1050, 4GB	Discrete	GDDR5

**Table 8. Video port resolution matrix**

	DisplayPort 1.2	HDMI 1.4	HDMI 2.0b
Max resolution - Single display	4096x2160	2560x1600 @ 24Hz	2560x1600 @ 24Hz
		4096x2160 @ 24Hz	4096x2160 @ 24Hz
Max resolution - Dual MST	2560x1600	N/A	N/A
	3440x1440		
	2560x1080		

All resolutions shown at 24bpp and unless specifically stated are @ 60 Hz refresh

# Web camera

**Table 9. Web camera(optional)**

Maximum Resolution	2.0 MP
Camera type	<ul style="list-style-type: none"> <li>• FHD</li> <li>• FHD + Infrared (IR)</li> </ul>
Video Resolution	<ul style="list-style-type: none"> <li>• FHD - 1080p</li> <li>• FHD + IR - 1080p + VGA</li> </ul>
Diagonal Viewing Angle	<ul style="list-style-type: none"> <li>• FHD - 74.9°</li> <li>• IR - 88°</li> </ul>
Power Saving Support	Suspend, Hibernation
Automatic Image Control	Automatic Exposure Control (AE) Automatic White Balance Control (AWB) Automatic Gain Control (AGC)
Webcam Mechanical Privacy	Pop up camera

# Communications - Integrated

**Table 10. Communications - Integrated**

Network adapter	Integrated Intel i219-LM 10/100/1000 Mb/s Ethernet (RJ-45 ) with Intel Remote Wake UP and PXE
-----------------	---

# External ports and connectors

**Table 11. External ports and connectors**

USB 3.1 Type A Gen1(Side/Rear/Internal)	1/4/0 <ul style="list-style-type: none"> <li>• 1xUSB 3.1 Type A Gen 1 with PowerShare (side)</li> <li>• 2xUSB 3.1 Type A Gen 1 (rear)</li> <li>• 2xUSB 3.1 Type A Gen 2 (rear)</li> </ul>
USB 3.1 Type C Gen 2 (Side/Rear/Internal)	1/0/0 One USB 3.1 Gen 2 Type-C port (side)
Network Connector (RJ-45)	1 Rear
HDMI 1.4 Out	1 Rear (Integrated graphics configurations)
HDMI-In (Optional)	1 Rear
HDMI 2.0 Out	1 Rear (Discrete graphics configurations)
DisplayPort 1.2	1 Rear
Universal Audio Jack	1 Side
Line-Out for headphones or speakers	1 Rear

# Display

**Table 12. Display specifications**

Type	<ul style="list-style-type: none"> <li>• Full HD (FHD) touch</li> <li>• Full HD (FHD) Non-Touch</li> </ul>
Screen size (Diagonal)	24 inch
Screen technology	IPS
Display	WLED
Native resolution	1920 x 1080
High definition	Full HD
Luminance	<ul style="list-style-type: none"> <li>• FHD Touch - 200 cd/m</li> <li>• FHD Non-touch - 250 cd/m</li> </ul>
Active area dimensions	527.04 mm x 296.46 mm
Height	296.46 mm
Width	527.04 mm
Megapixels	2M
Pixels Per Inch (PPI)	82
Pixel pitch	0.2745 mm x 0.2745 mm
Color depth	16.7 M

Contrast ratio (min)	600
Contrast ratio (typical)	1000
Response time (max)	25 mil sec
Typical Response time	14 mil sec
Refresh rate	60 Hhz
Horizontal viewing angle	178°
Vertical viewing angle	178°

## Power

**Table 13. Power**

Power Supply Wattage	240W EPA Platinum	155W EPA Bronze
AC input Voltage Range	100 – 240 Vac	100 – 240 Vac
AC input current (low AC range/high AC range)	3.6A/1.8A	3.6A/1.8A
AC input Frequency	47HZ - 63HZ	47HZ - 63HZ
AC holdup time (80% load)	16 mini sec	16 mini sec
Average Efficiency	90-92-89% @ 20-50-100% load	82-85-82% @ 20-50-100% load
Typical Efficiency (Active PFC)	N/A	N/A

**NOTE:** The typical efficiency of Active PFC Power Supply is 70%. APFC Power Supply is not offered with OptiPlex 7470 AIO

### DC parameters

+12.0 v output	NA	NA
+19.5 v output	19.5VA - 8.5A and 19.5VB - 10.5A	19.5VA - 7.5A and 19.5VB - 7.0A
+19.5 v output auxiliary output	19.5VA - 0.5A and 19.5VB - 1.75A	19.5VA - 0.5A and 19.5VB - 1.75A
	Standby mode 19.5VA - 0.5A and 19.5VB - 1.75a	Standby mode 19.5VA - 0.5A and 19.5VB - 1.75a
Max total power	240 W	155 W
Max combined 12.0 v power (note: only if more than one 12 v rail)	N/A	N/A
BTUs/h (based on PSU max wattage)	819 BTU	529 BTU
Power Supply Fan	N/A	N/A

### Compliance

Erp Lot6 Tier 2 0.5watt requirement	Yes	Yes
Climate Savers / 80Plus Compliant	Yes	Yes
Energy Star 7.0/7.1 Qualified	Yes	Yes
FEMP Standby Power Compliant	Yes	Yes

**Table 14. Thermal Dissipation**

Power	Graphics	Heat dissipation	Voltage
155 W	Integrated gfx	155 * 3.4125 = 529 BTU/hr	100 to 240 VAC , 50 to 60 Hz , 3 A/1.5 A

Power	Graphics	Heat dissipation	Voltage
240W	Discrete gfx	240 * 3.4125 = 819 BTU/hr	100 to 240 VAC , 50 to 60 Hz , 3.6A/1.8 A

**Table 15. CMOS battery**

**3.0v CMOS battery (Type and estimated battery life)**

Brand	Type	Voltage	Composition	Life
VIC-DAWN	CR-2032	3V	Lithium	Continuous Discharge Under 30 kΩ Load till 2.0V End-Voltage at the temperature of 23°C ±3°C. The batteries should be submitted to 150 temperature cycles from 60°C~-10°C, and then be stored for more than 24hours at 23°C ±3°C
JHIH HONG	CR-2032	3V	Lithium	Continuous Discharge Under 15 kΩ Load to 2.5V End-Voltage. 20°C±2°C: 940Hrs or longer; 910Hrs or longer after 12 months.
MITSUBISHI	CR-2032	3V	Lithium	Continuous Discharge Under 15 kΩ Load to 2.0V End-Voltage. 20°C±2°C: 1000Hrs or longer; 970Hrs or longer after 12 months. 0°C±2°C: 910Hrs or longer; 890Hrs or longer after 12 months.

## Physical system dimensions

**NOTE:** System weight and shipping weight is based on a typical configuration and may vary based on PC configuration. A typical configuration includes: integrated graphics and one hard drive.

**Table 16. System dimensions**

Non-touch chassis weight without stand (pounds / kilograms)	13.32 / 6.04
Touch chassis weight without stand (pounds / kilograms)	13.34 / 6.05
<b>Non-touch chassis dimensions (system without stand):</b>	
Height (inches / centimeters)	13.54 / 34.40
Width (inches / centimeters)	21.27 / 54.02
Depth (inches / centimeters)	2.08 / 5.28
<b>Touch chassis dimensions (system without stand):</b>	
Height (inches / centimeters)	13.54 / 34.40

Width (inches / centimeters)	21.27 / 54.02
Depth (inches / centimeters)	2.08 / 5.28

**Basic stand dimensions**

Height (inches / centimeters)	25.26 cm
Width x Depth (inches / centimeters)	9.21x 7.61 / 23.40 x 19.32
Weight (pounds / kilograms)	5.27 / 2.39

**Height adjustable stand dimensions**

Width x Depth (inches / centimeters)	10.12 x 8.86 / 25.70 x 22.50
Weight (pounds / kilograms)	6.70 / 3.04

**Height adjustable stand with optical disk drive dimensions**

Height (inches / centimeters)	36.67 cm
Width x Depth (inches / centimeters)	11.34 x 10.77/ 28.8 x 27.35
Weight (pounds / kilograms)	8.27 / 3.75

**Articulating stand dimensions**

Height (inches / centimeters)	23.35 cm
Width x Depth (inches / centimeters)	10.01 x 10.00 / 25.43 x 25.39
Weight (pounds / kilograms)	7.56 / 3.43

**Packaging parameters with basic stand (includes packaging material)**

Height (inches / centimeters)	19.09 / 48.50
Width (inches / centimeters)	32.56 / 82.70
Depth (inches / centimeters)	7.76 / 19.70
Shipping weight (pounds / kilograms - includes packaging materials)	28.04 / 12.72

**Packaging parameters with height adjustable stand**

Height (inches / centimeters)	19.09 / 48.50
Width (inches / centimeters)	32.56 / 82.70
Depth (inches / centimeters)	7.76 / 19.70
Shipping weight (pounds / kilograms - includes packaging materials)	31.09 /14.1

**Packaging parameters with height adjustable stand with optical disk drive**

Height (inches / centimeters)	19.09 / 48.50
Width (inches / centimeters)	34.53 / 87.70
Depth (inches / centimeters)	7.76 / 19.7



Shipping weight (pounds / kilograms - includes packaging materials)	31.09 / 14.1
---	--------------

**Packaging parameters with articulating stand**

Height (inches / centimeters)	19.09 / 48.50
-------------------------------	---------------

Width (inches / centimeters)	26.10 / 66.30
------------------------------	---------------

Depth (inches / centimeters)	7.76 / 19.70
------------------------------	--------------

Shipping weight (pounds / kilograms - includes packaging materials)	29.76 / 13.50
---	---------------

## Environmental

 **NOTE:** For more details on Dell Environmental features, please to go to Environmental Attributes section. See your specific region for availability.

**Table 17. Environmental**

Recyclable packaging	Yes
BFR/PVC—free chassis	No
Vertical orientation packaging support	Yes
MultiPack packaging	Select countries
Energy Efficient Power Supply	Yes

# System setup

System setup enables you to manage your hardware and specify BIOS level options. From the System setup, you can:

- Change the NVRAM settings after you add or remove hardware
- View the system hardware configuration
- Enable or disable integrated devices
- Set performance and power management thresholds
- Manage your computer security

## Topics:

- [System setup](#)
- [Navigation keys](#)
- [Boot Sequence](#)
- [Entering BIOS setup program](#)
- [General screen options](#)
- [System configuration screen options](#)
- [Security screen options](#)
- [Secure boot screen options](#)
- [Intel Software Guard Extensions screen options](#)
- [Performance screen options](#)
- [Power Management screen options](#)
- [POST Behavior screen options](#)
- [Manageability](#)
- [Virtualization support screen options](#)
- [Wireless screen options](#)
- [Maintenance screen options](#)
- [System Log screen options](#)
- [Advanced configuration options](#)
- [System and setup password](#)

## System setup

**CAUTION:** Unless you are an expert computer user, do not change the settings in the BIOS Setup program. Certain changes can make your computer work incorrectly.

**NOTE:** Before you change BIOS Setup program, it is recommended that you write down the BIOS Setup program screen information for future reference.

Use the BIOS Setup program for the following purposes:

- Get information about the hardware installed in your computer, such as the amount of RAM and the size of the hard drive.
- Change the system configuration information.
- Set or change a user-selectable option, such as the user password, type of hard drive installed, and enabling or disabling base devices.

## Navigation keys

**NOTE:** For most of the System Setup options, changes that you make are recorded but do not take effect until you restart the system.

### Keys

Up arrow

### Navigation

Moves to the previous field.

Keys	Navigation
<b>Down arrow</b>	Moves to the next field.
<b>Enter</b>	Selects a value in the selected field (if applicable) or follow the link in the field.
<b>Spacebar</b>	Expands or collapses a drop-down list, if applicable.
<b>Tab</b>	Moves to the next focus area.
<b>Esc</b>	Moves to the previous page until you view the main screen. Pressing Esc in the main screen displays a message that prompts you to save any unsaved changes and restarts the system.

## Boot Sequence

Boot Sequence allows you to bypass the System Setup–defined boot device order and boot directly to a specific device (for example: optical drive or hard drive). During the Power-on Self Test (POST), when the Dell logo appears, you can:

- Access System Setup by pressing F2 key
- Bring up the one-time boot menu by pressing F12 key

The one-time boot menu displays the devices that you can boot from including the diagnostic option. The boot menu options are:

- Removable Drive (if available)
- STXXXX Drive

**i** **NOTE: XXX denotes the SATA drive number.**

- Optical Drive (if available)
- SATA Hard Drive (if available)
- Diagnostics

**i** **NOTE: Choosing Diagnostics, will display the ePSA diagnostics screen.**

The boot sequence screen also displays the option to access the System Setup screen.

## Entering BIOS setup program



1. Turn on (or restart) your computer.
2. During POST, when the DELL logo is displayed, watch for the F2 prompt to appear, and then press F2 immediately.

**i** **NOTE: The F2 prompt indicates that the keyboard is initialized. This prompt can appear very quickly, so you must watch for it, and then press F2. If you press F2 before the F2 prompt, this keystroke is lost. If you wait too long and the operating system logo appears, continue to wait until you see the desktop. Then, turn off your computer and try again.**

## General screen options

This section lists the primary hardware features of your computer.

Option	Description
<b>System Information</b>	<ul style="list-style-type: none"> <li>• System Information: Displays BIOS Version, Service Tag, Asset Tag, Ownership Tag, Ownership Date, Manufacture Date, and the Express Service Code.</li> <li>• Memory Information: Displays Memory Installed, Memory Available, Memory Speed, Memory Channels Mode, Memory Technology, DIMM A Size, DIMM B Size.</li> <li>• PCI information: Displays SLOT 1 and SLOT 2</li> <li>• Processor Information: Displays Processor Type, Core Count, Processor ID, Current Clock Speed, Minimum Clock Speed, Maximum Clock Speed, Processor L2 Cache, Processor L3 Cache, HT Capable, and 64-Bit technology.</li> <li>• Device Information: Displays SATA-0, SATA-1, LOM MAC Address, Video Controller, dGPU Video Controller, Audio Controller, Wi Fi Device, and Bluetooth Device.</li> </ul>

Option	Description
<b>Boot Sequence</b>	<p><b>Boot Sequence</b> Allows you to specify the order in which the computer attempts to find an operating system. To change the boot order, select the device that you want to change in the list, which is available on the right-hand side. After you select the device, click up or down arrows or use your keyboard Page Up or Page Down keys to change the boot options order. You can also select or de-select from the list using the check-boxes available on the left hand side. You should enable the Legacy Option ROMs to setup the Legacy boot mode. This Legacy boot mode is not allowed when you enable the Secure Boot. The options are:</p> <ul style="list-style-type: none"> <li>• Boot Sequence - By default, the Windows Boot Manager check box is selected.</li> <li>•  <b>NOTE: The default option might differ based on the operating system of your computer.</b></li> <li>• Boot List Option - The list options are Legacy and UEFI. By default, the option UEFI is selected.</li> <li>•  <b>NOTE: The default option might differ based on the operating system of your computer.</b></li> <li>• Add Boot Option - Enables you to add a boot option.</li> <li>• Delete Boot Option - Enables you to delete an existing boot option.</li> <li>• View - Enables you to view the current boot option in the computer.</li> <li>• Restore Settings - Restores the default settings of the computer.</li> <li>• Save Settings - Saves the settings of the computer.</li> <li>• Apply - Enables you to apply the settings.</li> <li>• Exit - Exits and starts the computer.</li> </ul> <p><b>Boot List Options</b> Allows you to change the boot list option:</p> <ul style="list-style-type: none"> <li>• Legacy</li> <li>• UEFI (enabled by default)</li> </ul>
<b>UEFI Boot Path Security</b>	<p>The option controls whether or not the system prompts the user to enter the Admin password (if set) when booting a UEFI boot path from the F12 Boot Menu.</p> <ul style="list-style-type: none"> <li>• Always, Except Internal HDD</li> <li>• Always</li> <li>• Never</li> </ul>
<b>Advanced Boot Options</b>	<p>This option allows you the legacy option ROMs to load. By default, the <b>Enable Legacy Option ROMs</b> is disabled.</p> <ul style="list-style-type: none"> <li>• Restore Settings - Restores the default settings of the computer</li> <li>• Save Settings - Saves the settings of the computer</li> <li>• Apply - Enables you to apply the settings</li> <li>• Exit - Exits and starts the computer</li> </ul>
<b>Date/Time</b>	Allows you to change the date and time.

## System configuration screen options

Option	Description
<b>Integrated NIC</b>	<p>If you enable UEFI network stack, UEFI network protocols will be available. UEFI network allows pre-os and early os networking features to use NICs that are enabled. This may be used without PXE turned on. When you enable Enabled w/PXE, the type of PXE boot (Legacy PXE or UEFI PXE) depends on the current boot mode and type of option ROMs in use. The UEFI Network Stack is required in order to have UEFI PXE functionality fully enabled.</p> <ul style="list-style-type: none"> <li>• Enabled UEFI Network Stack - This option is disabled by default.</li> </ul> <p>Allows you to configure the integrated network controller. The options are:</p> <ul style="list-style-type: none"> <li>• Disabled</li> <li>• Enabled</li> </ul>

Option	Description
	<ul style="list-style-type: none"> <li>Enabled w/PXE: This option is enabled by default.</li> <li>Enabled w/Cloud Desktop</li> </ul> <p><b>NOTE:</b> Depending on the computer and its installed devices, the items listed in this section may or may not appear.</p>
<b>SATA Operation</b>	<p>Allows you to configure the internal SATA hard-drive controller. The options are:</p> <ul style="list-style-type: none"> <li>Disabled</li> <li>AHCI</li> <li>RAID On: This option is enabled by default.</li> </ul>
<b>Drives</b>	<p>Allows you to configure the SATA drives on board. All drives are enabled by default. The options are:</p> <ul style="list-style-type: none"> <li>SATA-0</li> <li>SATA-1</li> <li>SATA-4</li> <li>M.2 PCIe SSD-0</li> </ul>
<b>SMART Reporting</b>	<p>This field controls whether hard drive errors for integrated drives are reported during system startup. This technology is part of the SMART (Self Monitoring Analysis and Reporting Technology) specification. This option is disabled by default.</p> <ul style="list-style-type: none"> <li>Enable SMART Reporting</li> </ul>
<b>USB Configuration</b>	<p>This field configures the integrated USB controller. If Boot Support is enabled, the system is allowed to boot any type of USB Mass Storage Devices (HDD, memory key, floppy).</p> <p>If USB port is enabled, device attached to this port is enabled and available for OS.</p> <p>If USB port is disabled, the OS cannot see any device attached to this port.</p> <p>The options are:</p> <ul style="list-style-type: none"> <li>Enable USB Boot Support</li> <li>Enable Rear USB Ports: Include options for 6 ports</li> <li>Enable Side USB Ports: Include options for 2 ports</li> </ul> <p>All the options are enabled by default.</p> <p><b>NOTE:</b> USB keyboard and mouse always work in the BIOS setup irrespective of these settings.</p>
<b>Rear USB Configuration</b>	<p>This field allows you to enable or disable rear USB ports.</p> <ul style="list-style-type: none"> <li>Enable/Disable Rear USB Ports</li> </ul>
<b>Side USB Configuration</b>	<p>This field allows you to enable or disable side USB ports.</p> <ul style="list-style-type: none"> <li>Enable/Disable Side USB Ports</li> </ul>
<b>USB PowerShare</b>	<p>This field configures the USB PowerShare feature behavior. This option allows you to charge external devices using the stored system battery power through the USB PowerShare port.</p>
<b>Audio</b>	<p>This field enables or disables the integrated audio controller. By default, the <b>Enable Audio</b> option is selected. The options are:</p> <ul style="list-style-type: none"> <li>Enable Microphone (by default enable)</li> <li>Enable Internal Speaker (by default enable)</li> </ul>
<b>OSD Button Management</b>	<p>This field allows you to enable or disable the OSD (On-Screen Display) buttons on the All-In-One system.</p> <ul style="list-style-type: none"> <li>Disable OSD buttons: This option is unchecked by default.</li> </ul>
<b>Miscellaneous Devices</b>	<p>Allows you to enable or disable the following devices:</p> <ul style="list-style-type: none"> <li>Enable Camera (enabled by default)</li> <li>Enable Media Card (enabled by default)</li> <li>Disable Media Card</li> </ul>


# Security screen options

Option	Description
<b>Admin Password</b>	<p>Allows you to set, change, or delete the administrator (admin) password.</p> <p><b>NOTE:</b> You must set the admin password before you set the system or hard drive password. Deleting the admin password automatically deletes the system password and the hard drive password.</p> <p><b>NOTE:</b> Successful password changes take effect immediately.</p> <p>Default setting: Not set</p>
<b>System Password</b>	<p>Allows you to set, change or delete the system password.</p> <p><b>NOTE:</b> Successful password changes take effect immediately.</p> <p>Default setting: Not set</p>
<b>Internal HDD-0 Password</b>	<p>Allows you to set, change or delete the system's internal hard disk's password.</p> <p>Default setting: Not set</p> <p><b>NOTE:</b> Successful password changes take effect immediately.</p>
<b>M.2 SATA SSD Password</b>	<p>Allows you to set, change, or delete system's M.2 SATA solid state drive (SSD) password.</p> <p>Default setting: Not set</p>
<b>Strong Password</b>	<p>Allows you to enforce the option to always set strong passwords.</p> <p>Default Setting: Enable Strong Password is not selected.</p> <p><b>NOTE:</b> If Strong Password is enabled, Admin and System passwords must contain at least one uppercase character, one lowercase character and be at least 8 characters long.</p>
<b>Password Configuration</b>	<p>Allows you to determine the minimum and maximum length of Administrator and System passwords.</p>
<b>Password Bypass</b>	<p>Allows you to enable or disable the permission to bypass the System and the Internal HDD password, when they are set. The options are:</p> <ul style="list-style-type: none"><li>• Disabled</li><li>• Reboot bypass</li></ul> <p>Default setting: Disabled</p>
<b>Password Change</b>	<p>Allows you to enable the disable permission to the System and Hard Drive passwords when the admin password is set.</p> <p>Default setting: <b>Allow Non-Admin Password Changes</b> is selected.</p>
<b>UEFI Capsule firmware Updates</b>	<p>This option controls if the system allows BIOS updates via UEFI capsule update package.</p> <ul style="list-style-type: none"><li>• Default setting: <b>Enable UEFI Capsule Firmware Updates</b> is selected.</li></ul>
<b>TPM 2.0 Security</b>	<p>Allows you to enable the Trusted Platform Module (TPM) during POST. This option is enabled by default. The options are:</p> <ul style="list-style-type: none"><li>• TPM On (Default)</li><li>• Clear</li><li>• PPI Bypass for Enabled Commands</li><li>• PPI Bypass for Disabled Commands</li><li>• PPI Bypass for Clear Commands</li><li>• Attestation Enable (Default)</li><li>• Key Storage Enable (Default)</li><li>• SHA - 256 (Default)</li></ul>

Option	Description
	<p><b>NOTE:</b> Activation, deactivation, and clear options are not affected if you load the setup program's default values. Changes to this option take effect immediately.</p>
<b>Computrace (R)</b>	<p>Allows you to activate or disable the optional Computrace software. The options are:</p> <ul style="list-style-type: none"> <li>Deactivate</li> <li>Disable</li> <li>Activate</li> </ul> <p><b>NOTE:</b> The Activate and Disable options will permanently activate or disable the feature and no further changes will be allowed</p> <p>Default setting: Deactivate</p>
<b>Chassis Intrusion</b>	<p>This field controls the chassis intrusion feature. The options are:</p> <ul style="list-style-type: none"> <li>Disabled</li> <li>Enabled</li> </ul> <p>Default setting: Disabled</p>
<b>OROM Keyboard Access</b>	<p>Allows you to set an option to enter the Option ROM Configuration screens using hotkeys during boot. The options are:</p> <ul style="list-style-type: none"> <li>Enabled</li> <li>One Time Enable</li> <li>Disabled</li> </ul> <p>Default setting: Enable</p>
<b>Admin Setup Lockout</b>	<p>Allows you to enable or disable the option to enter setup when an admin password is set.</p> <ul style="list-style-type: none"> <li>Enable Admin Setup Lockout - This option is disabled by default.</li> </ul>
<b>Master Password Lockout</b>	<p>When enabled this option will disable master password support. Hard Disk passwords need to be cleared before the setting can be changed.</p> <ul style="list-style-type: none"> <li>Enable Master Password Lockout</li> </ul>
<b>SMM Security Mitigation</b>	<p>This option enables or disables additional UEFI SMM Security Mitigation protections.</p> <ul style="list-style-type: none"> <li>SMM Security Mitigation</li> </ul>

## Secure boot screen options

Option	Description
<b>Secure Boot Enable</b>	<p>This option enables or disables the <b>Secure Boot</b> feature.</p> <ul style="list-style-type: none"> <li>Disabled</li> <li>Enabled</li> </ul> <p>Default setting: Enabled.</p>
<b>Secure Boot Mode</b>	<p>Changes to the Secure Boot operation mode and modifies the behavior of Secure Boot to allow evaluation or enforcement of UEFI driver signatures.</p> <ul style="list-style-type: none"> <li>Deployed Mode- This option is enabled by default</li> <li>Audit mode</li> </ul>
<b>Expert Key Management</b>	<p>Allows you to manipulate the security key databases only if the system is in Custom Mode. The <b>Enable Custom Mode</b> option is disabled by default. The options are:</p> <ul style="list-style-type: none"> <li>PK</li> <li>KEK</li> <li>db</li> </ul>

Option	Description
	<ul style="list-style-type: none"> <li>· dbx</li> </ul> <p>If you enable the <b>Custom Mode</b>, the relevant options for <b>PK, KEK, db, and dbx</b> appear. The options are:</p> <ul style="list-style-type: none"> <li>· <b>Save to File</b>—Saves the key to a user-selected file</li> <li>· <b>Replace from File</b>—Replaces the current key with a key from a user-selected file</li> <li>· <b>Append from File</b>—Adds a key to the current database from a user-selected file</li> <li>· <b>Delete</b>—Deletes the selected key</li> <li>· <b>Reset All Keys</b>—Resets to default setting</li> <li>· <b>Delete All Keys</b>—Deletes all the keys</li> </ul> <p> <b>NOTE:</b> If you disable the Custom Mode, all the changes made will be erased and the keys will restore to default settings.</p>

## Intel Software Guard Extensions screen options



Option	Description
<b>Intel SGX Enable</b>	<p>This field specifies you to provide a secured environment for running code/storing sensitive information in the context of the main OS. The options are:</p> <ul style="list-style-type: none"> <li>· Disabled</li> <li>· Enabled</li> <li>· <b>Software Controlled</b> (default)</li> </ul>
<b>Enclave Memory Size</b>	<p>This option sets <b>SGX Enclave Reserve Memory Size</b>. The options are:</p> <ul style="list-style-type: none"> <li>· 32 MB</li> <li>· 64 MB</li> <li>· 128 MB</li> </ul>

## Performance screen options

Option	Description
<b>Multi Core Support</b>	<p>Specifies whether the process will have one or all cores enabled. The performance of some applications will improve with the additional cores.</p> <ul style="list-style-type: none"> <li>· All - This option is enabled by default</li> <li>· 1</li> <li>· 2</li> <li>· 3</li> </ul>
<b>Intel SpeedStep</b>	<p>Allows you to enable or disable the Intel SpeedStep feature.</p> <ul style="list-style-type: none"> <li>· Enable Intel SpeedStep</li> </ul> <p>Default setting: The option is enabled.</p>
<b>C-States Control</b>	<p>Allows you to enable or disable the additional processor sleep states.</p> <ul style="list-style-type: none"> <li>· C states</li> </ul> <p>Default setting: The option is enabled.</p>
<b>Intel TurboBoost</b>	<p>Allows you to enable or disable the Intel TurboBoost mode of the processor.</p> <ul style="list-style-type: none"> <li>· Enable Intel TurboBoost</li> </ul> <p>Default setting: The option is enabled.</p>



# Power Management screen options

Option	Description
<b>AC Recovery</b>	Allows you to enable or disable the computer from turning on automatically when an AC adapter is connected. <ul style="list-style-type: none"><li>• Power Off (default)</li><li>• Power On</li><li>• Last Power State</li></ul>
<b>Enable Intel Speed Shift Technology</b>	This option is used to enable or disable the Intel speed shift technology support. The option is enabled by default.
<b>Auto On Time</b>	Allows you to set the time at which the computer must turn on automatically. The options are: <ul style="list-style-type: none"><li>• Disabled</li><li>• Every Day</li><li>• Weekdays</li><li>• Select Days</li></ul> Default setting: Disabled
<b>Deep Sleep Control</b>	Allows you to aggressive the system is at conserving power while Shut down (S5) or in Hibernate (S4) mode. <ul style="list-style-type: none"><li>• Disabled (default)</li><li>• Enabled in S5 only</li><li>• Enabled in S4 and S5</li></ul>
<b>Fan Control Override</b>	Controls the speed of the system fan. This option is disabled by default.  <b>NOTE: When enabled, the fan runs at full speed.</b>
<b>USB Wake Support</b>	Allows you to enable USB devices to wake the system from Standby.  <b>NOTE: This feature is only functional when the AC power adapter is connected. If the AC power adapter is removed during Standby, the system setup removes power from all the USB ports to conserve battery power.</b> <ul style="list-style-type: none"><li>• Enable USB Wake Support</li></ul> Default setting: The option is enabled..
<b>Wake on LAN/WLAN</b>	Allows you to enable or disable the feature that powers on the computer from the Off state when triggered by a LAN signal. <ul style="list-style-type: none"><li>• <b>Disabled:</b> This option is enabled by default.</li><li>• LAN Only</li><li>• WLAN Only</li><li>• LAN or WLAN</li><li>• LAN with PXE Boot</li></ul>
<b>Block Sleep</b>	This option lets you block entering to sleep (S3 state) in operating system environment. Block Sleep (S3 state) Default setting: This option is disabled

# POST Behavior screen options

Option	Description
<b>Numlock LED</b>	This option option specifies whether the NumLock LED should be on when the system boots. <ul style="list-style-type: none"><li>• Enable Numlock LED: The option is enabled.</li></ul>
<b>Keyboard Errors</b>	This option option specifies whether the keyboard related errors are reported when it boots. <ul style="list-style-type: none"><li>• Enables Keyboard Error Detection: The option is enabled by default.</li></ul>

Option	Description
<b>Fastboot</b>	Allows you to speed up the boot process by bypassing some of the compatibility steps. The options are: <ul style="list-style-type: none"> <li>Minimal</li> <li><b>Thorough</b> (default)</li> <li>Auto</li> </ul>
<b>Extend BIOS POST Time</b>	This option created an additional pre-boot delay. <ul style="list-style-type: none"> <li><b>0 seconds (default)</b></li> <li>5 seconds</li> <li>10 seconds</li> </ul>
<b>Full Screen Logo</b>	. This option displays full screen logo if your image match screen resolution. The option Enable Full Screen Logo is not selected by default.
<b>Warnings and Errors</b>	<ul style="list-style-type: none"> <li><b>Prompt on Warnings and Errors</b> (default)</li> <li>Continue on Warnings</li> <li>Continue on Warnings and Errors</li> </ul>

## Manageability

Option	Description
<b>USB Provision</b>	When enabled Intel AMT can be provisioned using the local provisioning file via a USB storage device. <ul style="list-style-type: none"> <li>Enable USB Provision</li> </ul>
<b>MEBx Hotkey</b>	This option specifies whether the MEBx Hotkey function should be enabled when the system boots. Enable MEBx Hotkey - enabled by default.

## Virtualization support screen options

Option	Description
<b>Virtualization</b>	Allows you to enable or disable the Intel Virtualization Technology. Enable Intel Virtualization Technology (default).
<b>VT for Direct I/O</b>	Enables or disables the Virtual Machine Monitor (VMM) from utilizing the additional hardware capabilities provided by Intel® Virtualization technology for direct I/O. Enable VT for Direct I/O - enabled by default.
<b>Trusted Execution</b>	This option specifies whether a Measured Virtual Machine Monitor (MVMM) can utilize the additional hardware capabilities provided by Intel Trusted Execution Technology. The TPM Virtualization Technology, and Virtualization technology for direct I/O must be enabled to use this feature. Trusted Execution - disabled by default.

## Wireless screen options

Option	Description
<b>Wireless Device Enable</b>	Allows you to enable or disable the internal wireless devices. <ul style="list-style-type: none"> <li>WLAN/WiGig</li> <li>Bluetooth</li> </ul> All the options are enabled by default.

## Maintenance screen options

Option	Description
<b>Service Tag</b>	Displays the Service Tag of your computer.
<b>Asset Tag</b>	Allows you to create a system asset tag if an asset tag is not already set. This option is not set by default.
<b>SERR Messages</b>	This field controls the SERR message mechanism. Some graphic card required the SERR message. <ul style="list-style-type: none"><li>· Enable SERR Messages (default)</li></ul>
<b>BIOS Downgrade</b>	This field controls flashing of the system firmware to pervious revisions. Allows BIOS Downgrade (Enabled by default)
<b>Data Wipe</b>	This field enables user to erase data from all internal storage device.
<b>BIOS Recovery</b>	Allows you to recover from certain corrupted BIOS conditions from a recover file on the user primary hard drive or an external USB key. Enabled by default.
<b>First Power On Date</b>	This option lets you set Ownership date. This option is disabled by default.

## System Log screen options

Option	Description
<b>BIOS Events</b>	Allows you to view and clear the System Setup (BIOS) POST events.

## Advanced configuration options

Option	Description
<b>ASPM</b>	Allows you to set the ASPM level. <ul style="list-style-type: none"><li>· <b>Auto</b> (default)</li><li>· Disabled</li><li>· L1 Only</li></ul>


## System and setup password

Table 18. System and setup password

Password type	Description
System password	Password that you must enter to log on to your system.
Setup password	Password that you must enter to access and make changes to the BIOS settings of your computer.

You can create a system password and a setup password to secure your computer.

 **CAUTION:** The password features provide a basic level of security for the data on your computer.

 **CAUTION:** Anyone can access the data stored on your computer if it is not locked and left unattended.

 **NOTE:** System and setup password feature is disabled.

## Assigning a system setup password

You can assign a new **System or Admin Password** only when the status is in **Not Set**.


To enter the system setup, press F2 immediately after a power-on or re-boot.

1. In the **System BIOS** or **System Setup** screen, select **Security** and press Enter.  
The **Security** screen is displayed.
2. Select **System/Admin Password** and create a password in the **Enter the new password** field.  
Use the following guidelines to assign the system password:
  - A password can have up to 32 characters.
  - The password can contain the numbers 0 through 9.
  - Only lower case letters are valid, upper case letters are not allowed.
  - Only the following special characters are allowed: space, ("), (+), (.), (-), (.), (/), (:), ([), (\), (]), (').
3. Type the system password that you entered earlier in the **Confirm new password** field and click **OK**.
4. Press Esc and a message prompts you to save the changes.
5. Press Y to save the changes.  
The computer reboots.

## Deleting or changing an existing system setup password

Ensure that the **Password Status** is Unlocked (in the System Setup) before attempting to delete or change the existing System and/or Setup password. You cannot delete or change an existing System or Setup password, if the **Password Status** is Locked.

To enter the System Setup, press F2 immediately after a power-on or reboot.

1. In the **System BIOS** or **System Setup** screen, select **System Security** and press Enter.  
The **System Security** screen is displayed.
2. In the **System Security** screen, verify that **Password Status** is **Unlocked**.
3. Select **System Password**, alter or delete the existing system password and press Enter or Tab.
4. Select **Setup Password**, alter or delete the existing setup password and press Enter or Tab.  
 **NOTE: If you change the System and/or Setup password, re-enter the new password when prompted. If you delete the System and/or Setup password, confirm the deletion when prompted.**
5. Press Esc and a message prompts you to save the changes.
6. Press Y to save the changes and exit from System Setup.  
The computer reboot.

# Software

This chapter details the supported operating systems along with instructions on how to install the drivers.

## Topics:

- [Operating system](#)
- [Downloading drivers](#)
- [Intel chipset drivers](#)
- [Display adapter drivers](#)
- [Audio drivers](#)
- [Network drivers](#)
- [Camera drivers](#)
- [Storage drivers](#)
- [Security drivers](#)
- [Bluetooth drivers](#)
- [USB drivers](#)

## Operating system

**Table 19. Operating system**

Operating systems supported	<ul style="list-style-type: none"> <li>• Windows 10 Home (64 bit)</li> <li>• Windows 10 Professional (64 bit)</li> <li>• Windows 10 Home National Academic</li> <li>• Windows 10 Pro National Academic</li> <li>• Windows 10 Pro High end</li> <li>• Ubuntu 18.04 SP1 LTS (64bit)- Available in August 2019</li> <li>• NeoKylin 6.0 SP4 (China only)</li> </ul>
OS recovery media	<p>Optional</p> <p><a href="#">Download and Use the Dell OS Recovery Image</a></p>

## Downloading drivers

1. Turn on the .
2. Go to **Dell.com/support**.
3. Click **Product Support**, enter the Service Tag of your , and then click **Submit**.

 **NOTE: If you do not have the Service Tag, use the auto detect feature or manually browse for your model.**

4. Click **Drivers and Downloads**.
5. Select the operating system installed on your .
6. Scroll down the page and select the driver to install.
7. Click **Download File** to download the driver for your .
8. After the download is complete, navigate to the folder where you saved the driver file.
9. Double-click the driver file icon and follow the instructions on the screen.

## Intel chipset drivers

Verify if the Intel chipset drivers are already installed in the system.

- System devices
  - ACPI Fan
  - ACPI Fan
  - ACPI Fan
  - ACPI Fan
  - ACPI Fan
  - ACPI Fixed Feature Button
  - ACPI Power Button
  - ACPI Processor Aggregator
  - ACPI Thermal Zone
  - Composite Bus Enumerator
  - Dell Diag Control Device
  - Dell System Analyzer Control Device
  - High Definition Audio Controller
  - High precision event timer
  - Intel(R) 300 Series Chipset Family LPC Controller (Q370) - A306
  - Intel(R) Gaussian Mixture Model - 1911
  - Intel(R) Host Bridge/DRAM Registers - 3E1F
  - Intel(R) Management Engine Interface
  - Intel(R) PCI Express Root Port #6 - A33D
  - Intel(R) Power Engine Plug-in
  - Intel(R) SMBus - A323
  - Intel(R) SPI (Flash) Controller - A324
  - Intel(R) Thermal Subsystem - A379
  - Microsoft ACPI-Compliant System
  - Microsoft System Management BIOS Driver
  - Microsoft UEFI-Compliant System
  - Microsoft Virtual Drive Enumerator
  - Microsoft Windows Management Interface for ACPI
  - Microsoft Windows Management Interface for ACPI
  - Microsoft Windows Management Interface for ACPI
  - Microsoft Windows Management Interface for ACPI
  - NDIS Virtual Network Adapter Enumerator
  - Numeric data processor
  - PCI Express Root Complex
  - PCI standard RAM Controller
  - Plug and Play Software Device Enumerator
  - Programmable interrupt controller
  - Remote Desktop Device Redirector Bus
  - System CMOS/real time clock
  - System timer
  - UMBus Root Bus Enumerator

## Display adapter drivers

Verify if the drivers for the display adapter is already installed in the system.

- Display adapters
  - Intel(R) UHD Graphics 630

## Audio drivers

Verify if the audio drivers are already installed in the system.

- Audio inputs and outputs
  - Microphone Array (Realtek(R) Audio)
  - Speakers/Headphones (Realtek(R) Audio)
- Sound, video and game controllers
  - Intel(R) Display Audio
  - Realtek(R) Audio

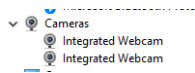
## Network drivers

Verify if network drivers are already installed in the system.

- Network adapters
  - Bluetooth Device (Personal Area Network)
  - Bluetooth Device (RFCOMM Protocol TDI)
  - Intel(R) Ethernet Connection (7) I219-LM
  - Intel(R) Wireless-AC 9560
  - WAN Miniport (IKEv2)
  - WAN Miniport (IP)
  - WAN Miniport (IPv6)
  - WAN Miniport (L2TP)
  - WAN Miniport (Network Monitor)
  - WAN Miniport (PPPOE)
  - WAN Miniport (PPTP)
  - WAN Miniport (SSTP)

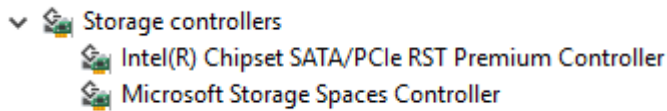
# Camera drivers

Verify if the camera driver is already installed in the system.



# Storage drivers

Verify if the storage controller drivers are already installed in the system.

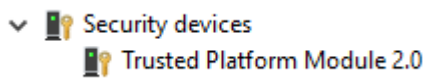


Verify if the storage drivers are already installed in the system.



# Security drivers

Verify if the security drivers are already installed in the system.



# Bluetooth drivers

Verify if the Bluetooth drivers are already installed in the system.



# USB drivers

Verify if the USB drivers are already installed in the system.




# Getting help

## Topics:

- [Contacting Dell](#)

## Contacting Dell

 **NOTE:** If you do not have an active Internet connection, you can find contact information on your purchase invoice, packing slip, bill, or Dell product catalog.

Dell provides several online and telephone-based support and service options. Availability varies by country and product, and some services may not be available in your area. To contact Dell for sales, technical support, or customer service issues:

1. Go to **Dell.com/support**.
2. Select your support category.
3. Verify your country or region in the **Choose a Country/Region** drop-down list at the bottom of the page.
4. Select the appropriate service or support link based on your need.