

## PS6610 Installation

### Before You Begin

This poster is a condensed reference. Read the *PS6610 Storage Arrays Installation and Setup Guide* (provided in the box) for complete installation information.

#### Register for a Dell™ EqualLogic® Customer Support Account.

If you do not have a customer service support account, go to [eqsupport.dell.com/secure/login.aspx](http://eqsupport.dell.com/secure/login.aspx) and create one.

#### Download and Read the Release Notes from the Support Site.

The *PS Series Storage Arrays Release Notes* contain the latest product information.

#### Review Safety Guidelines.

Review the safety instructions in your *Safety, Environmental, and Regulatory Information* booklet located in the shipping box.

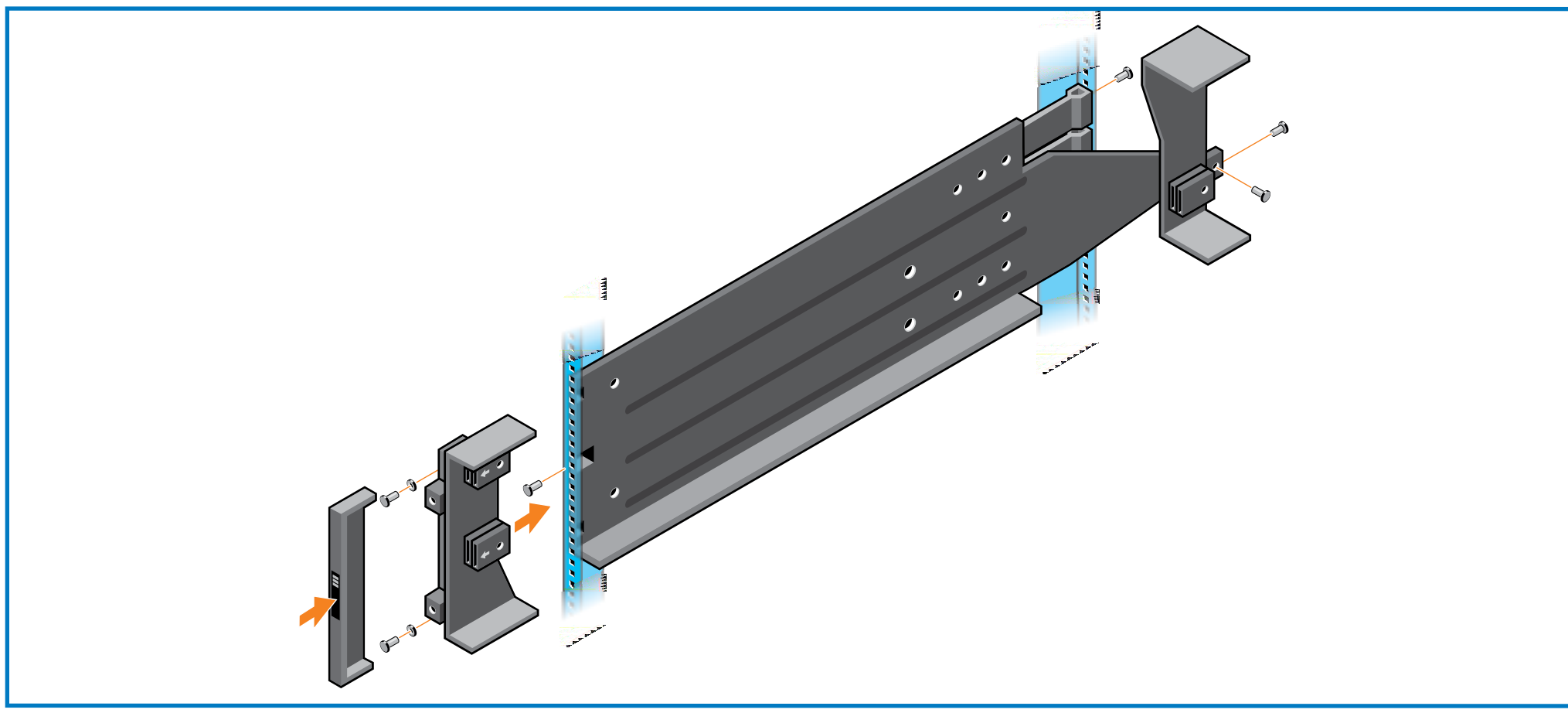
#### Prepare for Installation:

- Environmental requirements
  - Make sure the installation location meets the power, cooling, and ventilation requirements described in the *PS6610 Storage Arrays Installation and Setup Guide* (located in the shipping box).
- Networking requirements
  - Standard Ethernet and TCP/IP networking rules apply to a PS Series SAN
  - 10 Gigabit Ethernet
- Hardware requirements (not supplied)
  - Standard 19-inch, four-post rack rated for a minimum of 680Kg (1500 lbs) static load
  - For Ethernet connections (use a minimum of one 10GbE port per controller):
    - With the 10GBASE-T port, CAT6 (or better) cable for up to 55 meters, CAT6A for up to 100 meters
    - With the SFP+ port, optical cable or copper SFP+ cable
  - For Management connections (optional): CAT5 cable with RJ45 connector

## 2 Install the Rails into the Rack

1. Remove the rail kit from the shipping box.
2. Install the rails into the rack.

See the *Rack Installation setup poster* for detailed instructions.

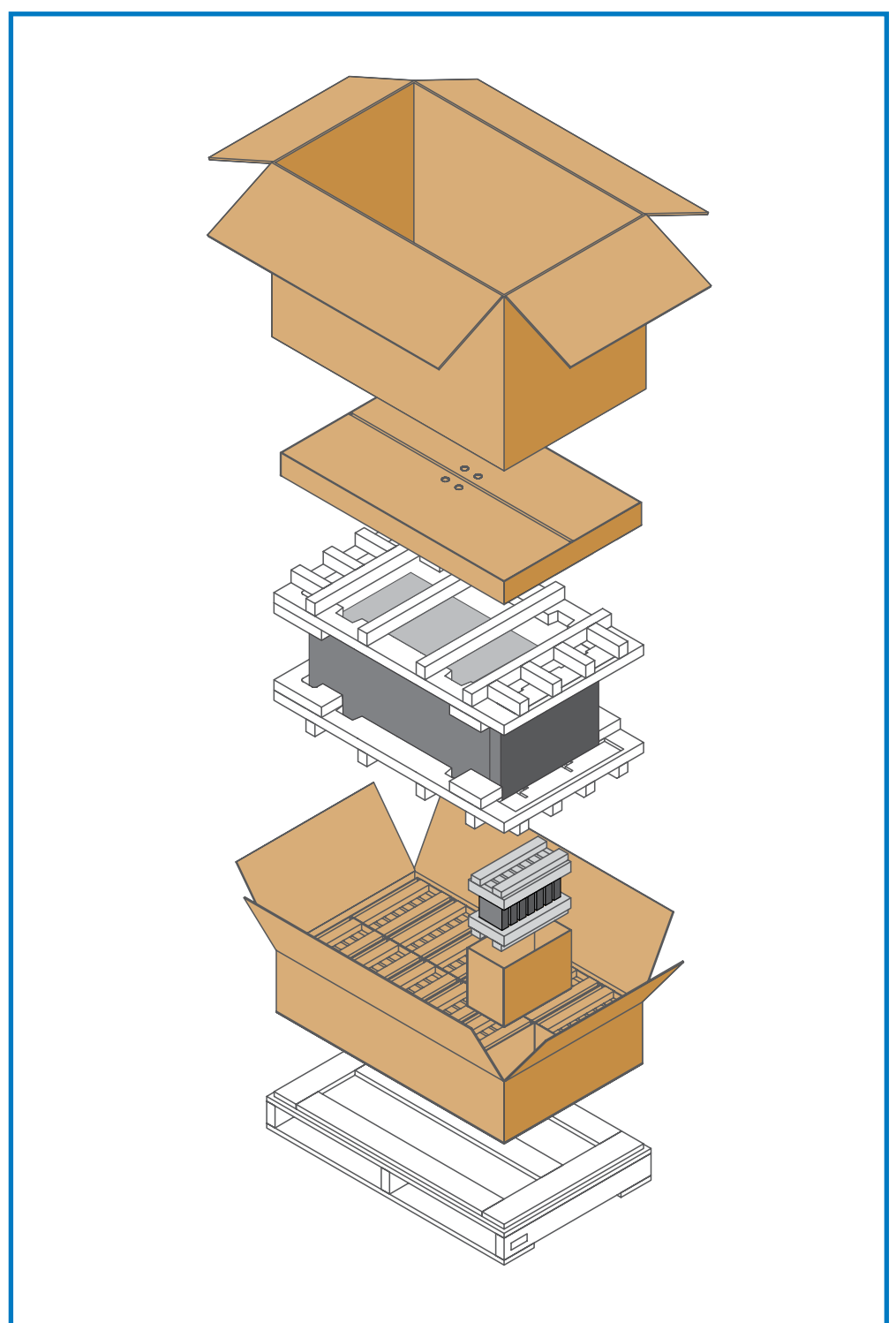


## 1 Unpack the Shipping Box

**⚠ Caution: Protect sensitive hardware.** Use an electrostatic wrist strap or a similar form of protection when handling hardware.

Shipping box contents:

- Setup poster (this document)
- Rail kit
- Power cables
- Documentation
- PS Series Storage Array
- Host Integration Tools CD for Microsoft
- Torx T20 key for drawer locks
- Boxes of disk drives in carriers (DDICs)

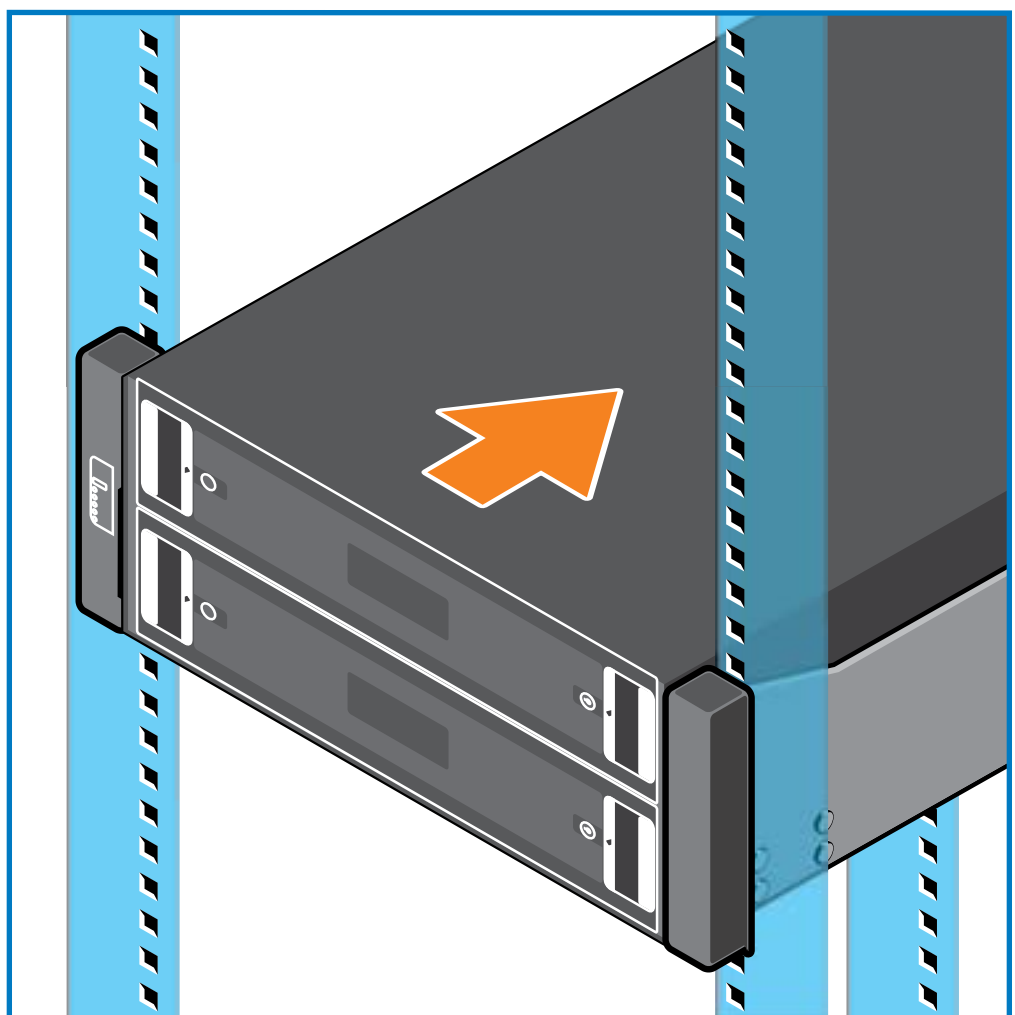


## 3 Install the Array into a Rack

**⚠ Warning! The array is heavy.** Do not attempt to lift the array without assistance.

Mount the array into a four-post, 19-inch rack.

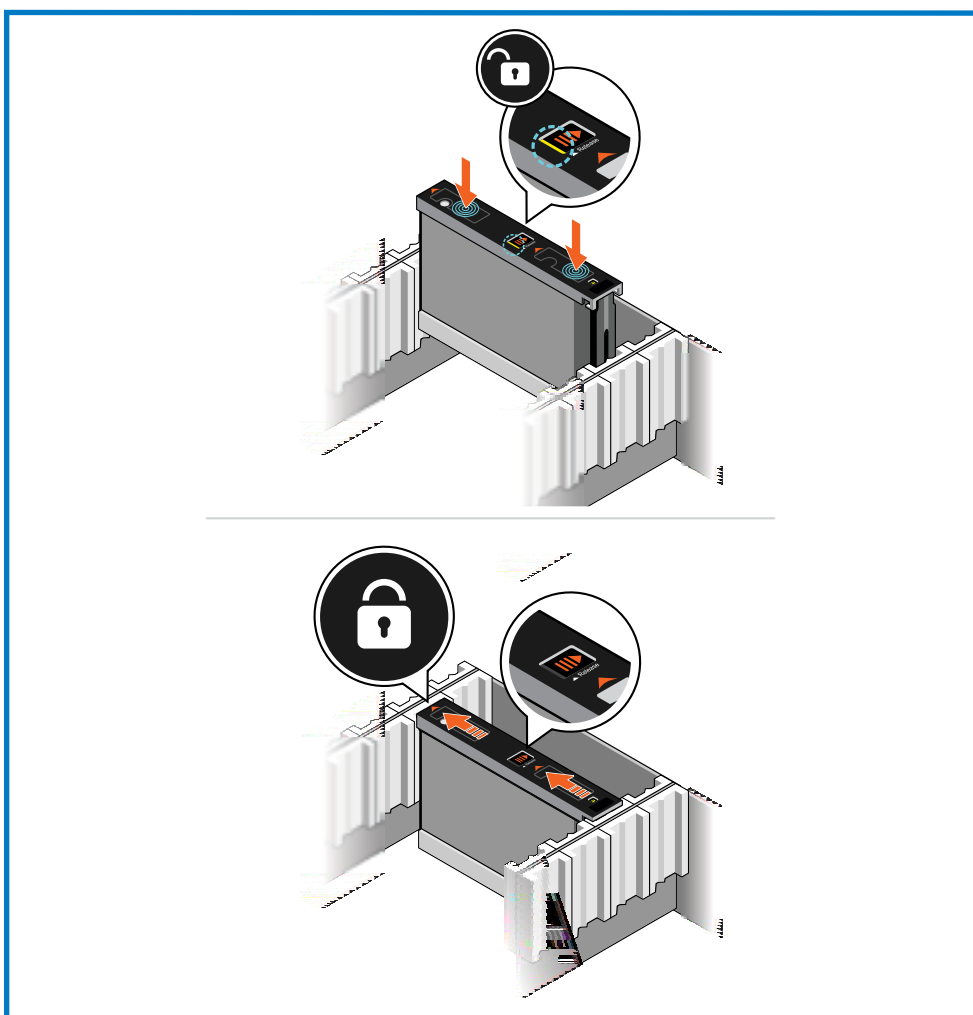
1. Slide the array onto the rails.
2. Hand-tighten the thumbscrews to the front of the rack.



## 4 Install all of the Drives

**⚠ Caution: Protect sensitive hardware.** Use an electrostatic wrist strap or a similar form of protection when handling hardware.

When installing 42 drives, there must be two complete rows of HDs in the top drawer (slots 0-27) and one complete row of HDs in the bottom drawer (slots 42-55). For the optional 84-drive hybrid configuration, the 14 SSDs must be inserted in the front row of the top drawer (slots 0-13).

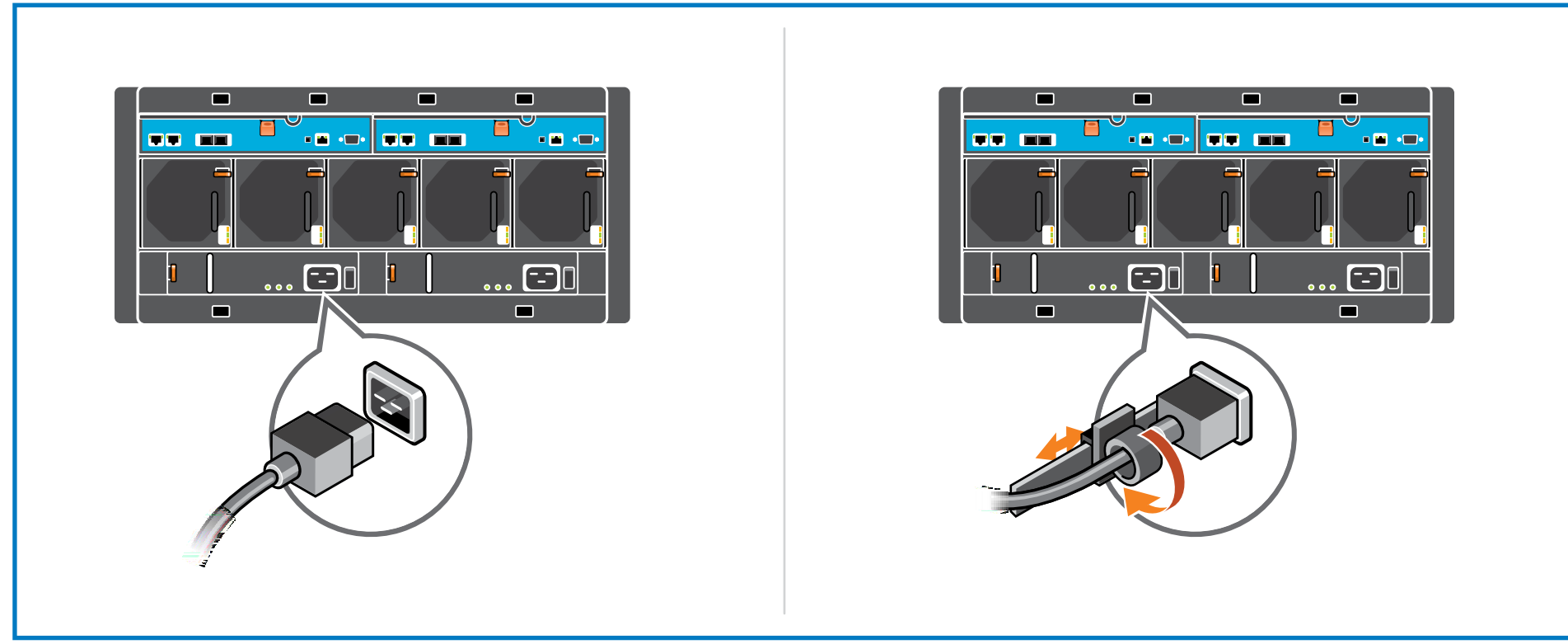


## 5 Connect the Power Cables

**Caution:** Make sure both power switches are set to off (O) before connecting the power cables.

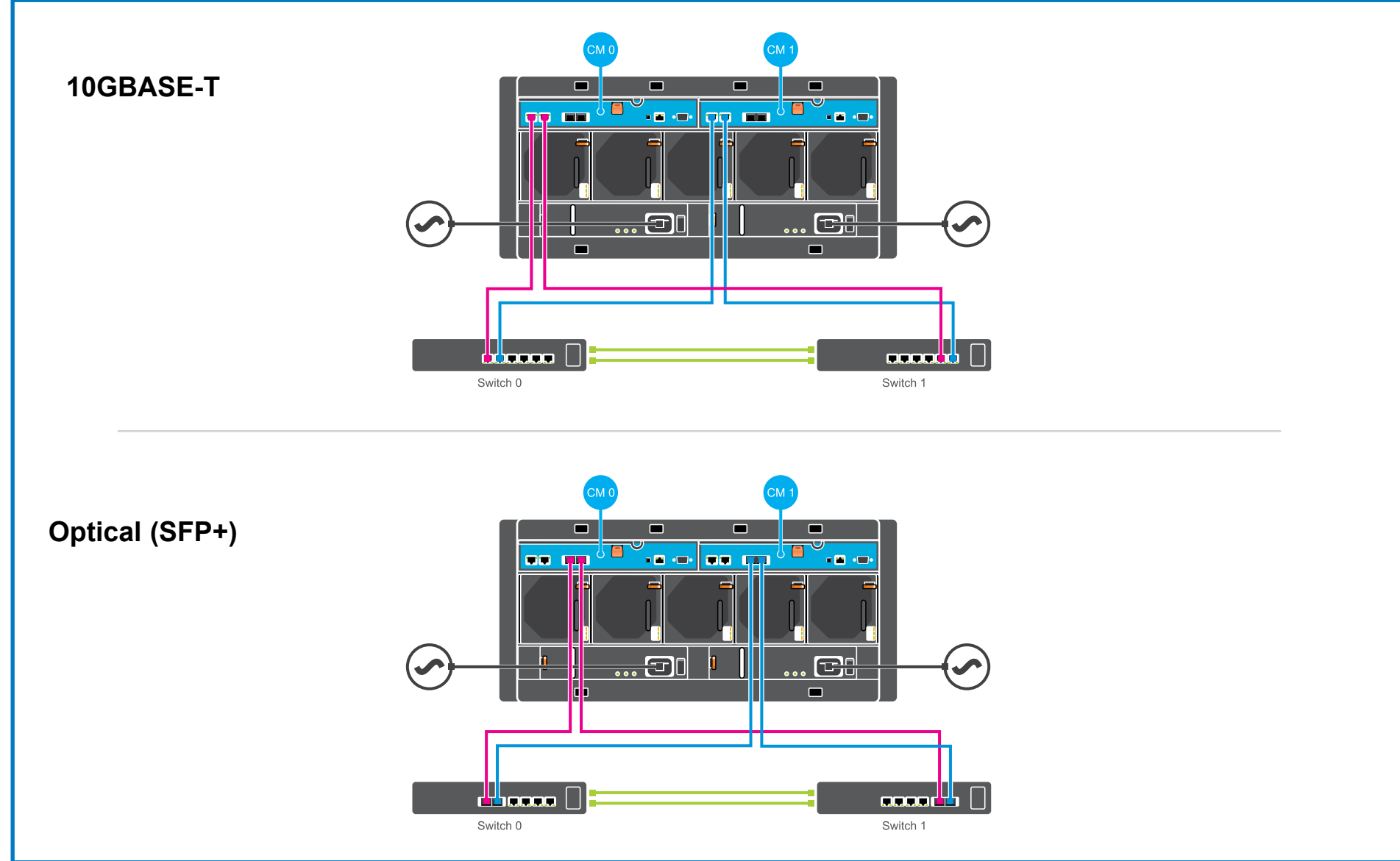
- Use the power cables shipped with the array to connect each power supply module to a power source.
  - Note:** Use separate sources of power, if possible.
- Use the strain-relief fasteners to secure the power cables to the power supply modules so they cannot be pulled out accidentally.

See the *Dell EqualLogic PS6610 Installation and Setup Manual* for more information.



## 6 Connect the Array to the Network

**Recommended Configuration:** For high performance and availability, distribute the connections across multiple network switches. The switches must be connected with interswitch links that have sufficient bandwidth. See the *PS6610 Storage Arrays Installation and Setup Guide* for more information.

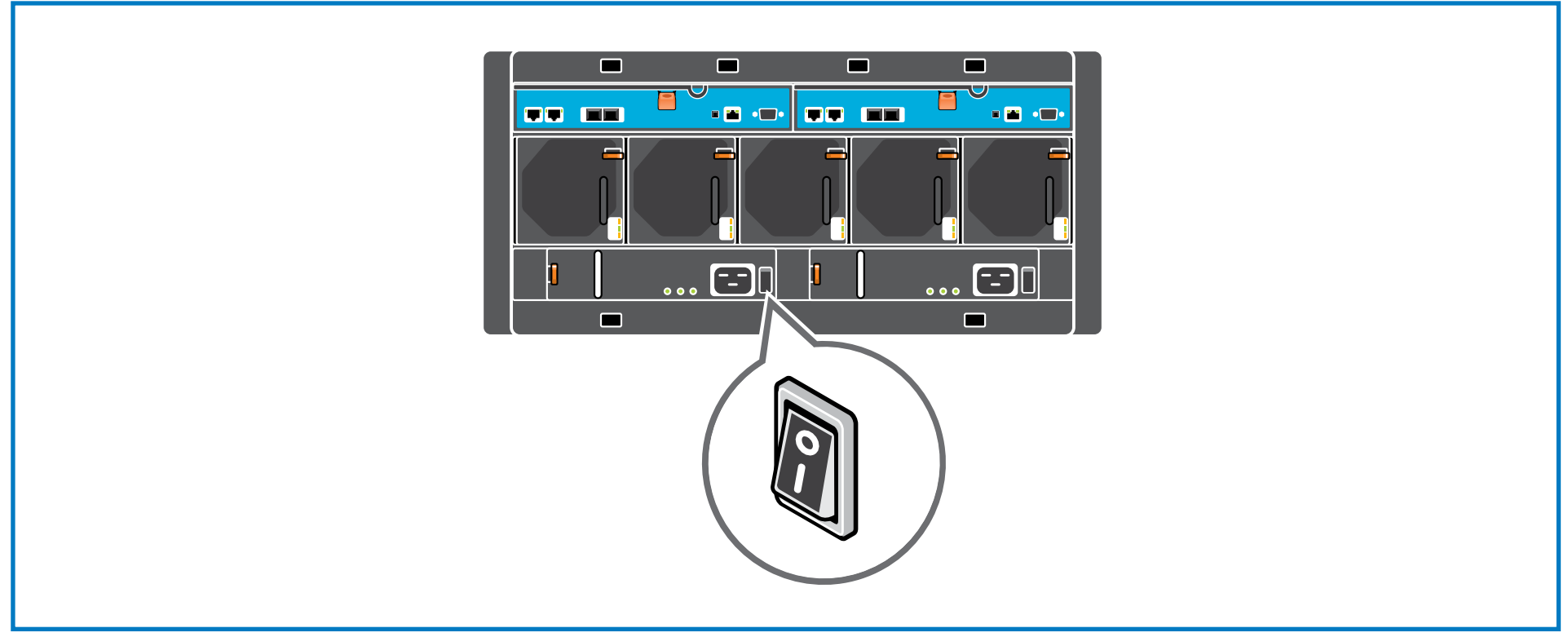


## 7 Turn On Power to the Array

**Note:** Before turning on power, allow enough time for the array to adjust to ambient temperature and humidity (for example, overnight).

Turn on power to both power supply modules (in any order) by pressing (I) on the power switch. The power switch is located next to the power plug on each PSU.

- Notes:**
- The battery backup unit installed in each controller is shipped in a partially discharged state. The first time the system is powered on, a boot delay of up to 30 minutes might be experienced while the battery is charged to full capacity.
  - Batteries will start to charge, and some hardware components might start to synchronize, when power is turned on. Array LEDs will indicate this normal activity.



## Hardware Installation Is Complete!

Your array hardware should now be up and running. If it is not, make sure that you have successfully completed all of the steps described in this poster.

If you are still experiencing problems, see the *PS6610 Storage Arrays Installation and Setup Guide* for technical information and customer service contact information. Alternately, you can call technical support at 1-800-945-3355.

## What to Do Next

Configure the array software. See the *PS6610 Storage Arrays Installation and Setup Guide* for array configuration information.

To learn more about Dell EqualLogic products, visit [DellStorage.com](http://DellStorage.com) or the Dell Tech Center site at [DellTechCenter.com/Storage](http://DellTechCenter.com/Storage). These sites contain articles, demos, white papers, and more details about the benefits of our product family. You will be prompted to either create your customer account or enter your existing account information.

### Other helpful sites:

Dell TechCenter's Storage Infrastructure and Solutions Team Publications page contains the EqualLogic Configuration Guide to help you determine how best to build your iSCSI SAN infrastructure: [en.community.dell.com/techcenter/storage/wiki/2639.equallogic-configuration-guide.aspx](http://en.community.dell.com/techcenter/storage/wiki/2639.equallogic-configuration-guide.aspx). The site also provides an extensive compilation of application and networking best practices and reference architectures for EqualLogic: [en.community.dell.com/techcenter/storage/wiki/2631.storage-infrastructure-and-solutions-team.aspx](http://en.community.dell.com/techcenter/storage/wiki/2631.storage-infrastructure-and-solutions-team.aspx).

The Dell EqualLogic support site contains the latest Dell EqualLogic Firmware compatibility matrix on its home page, [eqsupport.dell.com](http://eqsupport.dell.com).

### Notes, Cautions, and Warnings

- A **NOTE** indicates important information that helps you make better use of your system.
- A **CAUTION** indicates potential damage to hardware or loss of data if instructions are not followed.
- A **WARNING** indicates a potential for property damage, personal injury, or death.

Information in this document is subject to change without notice.

Reproduction of this material in any manner whatsoever without the written permission of Dell EqualLogic is strictly forbidden.

Dell™ and EqualLogic® are trademarks of Dell Inc.  
© Copyright 2014 Dell Inc. All rights reserved.

Printed in U.S.A.  
Printed on recycled paper.



OGY4PHA00