

Sensors Profile



Document Number: DCIM1053
Document Type: Specification
Document Status: Published
Document Language: E
Date: 2012-03-08

Version: 1.0.0

THIS PROFILE IS FOR INFORMATIONAL PURPOSES ONLY, AND MAY CONTAIN TYPOGRAPHICAL ERRORS AND TECHNICAL INACCURACIES. THE CONTENT IS PROVIDED AS IS, WITHOUT EXPRESS OR IMPLIED WARRANTIES OF ANY KIND. ABSENT A SEPARATE AGREEMENT BETWEEN YOU AND DELL™ WITH REGARD TO FEEDBACK TO DELL ON THIS PROFILE SPECIFICATION, YOU AGREE ANY FEEDBACK YOU PROVIDE TO DELL REGARDING THIS PROFILE SPECIFICATION WILL BE OWNED AND CAN BE FREELY USED BY DELL.

© 2012 Dell Inc. All rights reserved. Reproduction in any manner whatsoever without the express written permission of Dell, Inc. is strictly forbidden. For more information, contact Dell.

Dell and the *DELL* logo are trademarks of Dell Inc. Other trademarks and trade names may be used in this document to refer to either the entities claiming the marks and names or their products. Dell disclaims proprietary interest in the marks and names of others.

CONTENTS

1	Scope	5
2	Normative References.....	5
3	Terms and Definitions	5
4	Symbols and Abbreviated Terms	7
5	Synopsis.....	8
6	Description	9
7	Implementation Description.....	10
7.1	Power Numeric Sensor – DCIM_PSNumericSensor.....	10
7.2	Non-Power Analog Sensors – DCIM_NumericSensor	15
7.3	Non-Power Digital Sensors – DCIM_Sensor	17
7.4	DCIM_RegisteredProfile - DMTF Sensors Profile Profile Registration.....	19
7.5	DCIM_LCRegisteredProfile - DCIM Sensors Profile Profile Registration.....	20
8	Methods.....	21
9	Use Cases.....	21
10	CIM Elements.....	21
11	Privilege and License Requirement	21

Figures

Figure 1 – Sensors Profile Implementation.....	9
--	---

Tables

Table 1 – Related Profiles.....	8
Table 2 – Class Requirements: Sensors Profile.....	10
Table 3 – DCIM_PSNumericSensor - Operations.....	11
Table 4 – DCIM_PSNumericSensor – Requirements for Power Consumption Sensor in Watts.....	11
Table 5 – DCIM_PSNumericSensor - Operations.....	13
Table 6 – DCIM_PSNumericSensor – Requirements for Power Supply Sensor in Amperes.....	13
Table 7 – DCIM_NumericSensor - Operations.....	15
Table 8 – DCIM_NumericSensor – Requirements Non-Power Analog Sensor.....	15
Table 9 – DCIM_Sensor - Operations.....	18
Table 10 – DCIM_Sensor – Requirements for Non-Power Digital Sensor.....	18
Table 11 – CIM_RegisteredProfile - Operations.....	19
Table 12 – DCIM_RegisteredProfile.....	19
Table 13 – DCIM_RegisteredProfile - Operations.....	20
Table 14 – DCIM_LCRegisteredProfile.....	20
Table 15 – Privilege and License Requirements.....	21

1 Scope

The DCIM Sensors Profile describes the properties and interfaces for executing system management tasks related to the management of sensors within a system. It extends the management capabilities of referencing profiles by adding the capability to represent sensors. The sensor's relationship with devices and the profile's registration for the schema implementation version information are also described.

2 Normative References

Refer to the following documents for more information.

NOTE: For dated references, only the edition cited applies. For undated references, the latest edition of the referenced document (including any amendments) applies.

- DMTF DSP1009, *Sensors Profile 1.0.0*
- DMTF DSP1033, *Profile Registration Profile 1.0.0*
- DMTF DSP0226, *Web Services for Management (WS-Management) Specification 1.1.0*
- DMTF DSP0227, *WS-Management CIM Binding Specification 1.0.0*
- *Dell Lifecycle Controller Best Practices Guide 1.0*,
http://en.community.dell.com/techcenter/extras/m/white_papers/20066173.aspx
- *Dell WSMAN Licenses and Privileges 1.0*
- ISO/IEC Directives, Part 2, *Rules for the structure and drafting of International Standards*,
<http://isotc.iso.org>
- Unified Modeling Language (UML) from the Open Management Group (OMG),
<http://www.uml.org>
- Dell Tech Center MOF Library:
<http://www.delltechcenter.com/page/DCIM.Library.MOF>
- Related Managed Object Format (MOF) files:
 - DCIM_PSNumericSensor.mof
 - DCIM_Sensor.mof
 - DCIM_NumericSensor.mof
 - DCIM_LCRegisteredProfile.mof
 - DCIM_RegisteredProfile.mof
 - DCIM_LCElementConformsToProfile.mof
 - DCIM_ElementConformsToProfile.mof

3 Terms and Definitions

For the purposes of this document, the following terms and definitions apply.

- 33 **3.1**
34 **Conditional** – Indicates requirements to be followed strictly in order to conform to the document when the
35 specified conditions are met.
- 36 **3.2**
37 **Mandatory** – Indicates requirements to be followed strictly in order to conform to the document and from
38 which no deviation is permitted.
- 39 **3.3**
40 **May** – Indicates a course of action permissible within the limits of the document.
- 41 **3.4**
42 **Optional** – Indicates a course of action permissible within the limits of the document.
- 43 **3.5**
44 **can** – Used for statements of possibility and capability, whether material, physical, or causal.
- 45 **3.6**
46 **cannot** – Used for statements of possibility and capability, whether material, physical, or causal.
- 47 **3.7**
48 **need not** – Indicates a course of action permissible within the limits of the document.
- 49 **3.8**
50 **referencing profile** – Indicates a profile that owns the definition of this class and can include a reference
51 to this profile in its “Related Profiles” table.
- 52 **3.9**
53 **shall** – Indicates requirements to be followed strictly in order to conform to the document and from which
54 no deviation is permitted.

- 55 **3.10**
56 **shall not** – Indicates requirements to be followed strictly in order to conform to the document and from
57 which no deviation is permitted.
- 58 **3.11**
59 **should** – Indicates that among several possibilities, one is recommended as particularly suitable, without
60 mentioning or excluding others, or that a certain course of action is preferred but not necessarily required.
- 61 **3.12**
62 **should not** – Indicates that a certain possibility or course of action is deprecated but not prohibited
- 63 **3.13**
64 **FQDD** – Fully Qualified Device Descriptor is used to identify a particular component in a system.
- 65 **3.14**
66 **Interop Namespace** – Interop Namespace is where instrumentation instantiates classes to advertise its
67 capabilities for client discovery.
- 68 **3.15**
69 **Implementation Namespace** – Implementation Namespace is where instrumentation instantiates
70 classes relevant to executing core management tasks.
- 71 **3.16**
72 **ENUMERATE** – Refers to WS-MAN `ENUMERATE` operation as described in Section 8.2 of
73 `DSP0226_V1.1` and Section 9.1 of `DSP0227_V1.0`
- 74 **3.17**
75 **GET** – Refers to WS-MAN `GET` operation as defined in Section 7.3 of `DSP00226_V1.1` and Section 7.1
76 of `DSP0227_V1.0`
- 77 **3.18**
78 **SET** - Refers to WS-MAN `SET` operation as defined in Section 7.4 of `DSP00226_V1.1` and Section 7.1 of
79 `DSP0227_V1.0`
80

81 **4 Symbols and Abbreviated Terms**

82 **4.1**
83 **CIM - Common Information Model**

84 **4.2**
85 **iDRAC** - integrated Dell Remote Access Controller – management controller for blades and monolithic
86 servers

87 **4.3**
88 **CMC** - Chassis Manager Controller – management controller for the modular chassis
89

90 **5 Synopsis**

91 **Profile Name:** Sensors

92 **Version:** 1.0.0

93 **Organization:** Dell

94 **CIM Schema Version:** 2.26 Experimental

95 **Dell Schema Version:** 1.0.0

96 **Interop Namespace:** root/interop

97 **Implementation Namespace:** root/dcim: root/dcim

98 **Central Class:** DCIM_Sensor, DCIM_NumericSensor

99 **Scoping Class:** DCIM_ComputerSystem

100 The Dell Sensors Profile is a component profile that contains the Dell specific implementation
101 requirements for sensors in a managed system.

102 DCIM_Sensor shall be the Central Class.

103 Table 1 identifies profiles that are related to this profile.

104

Table 1 – Related Profiles

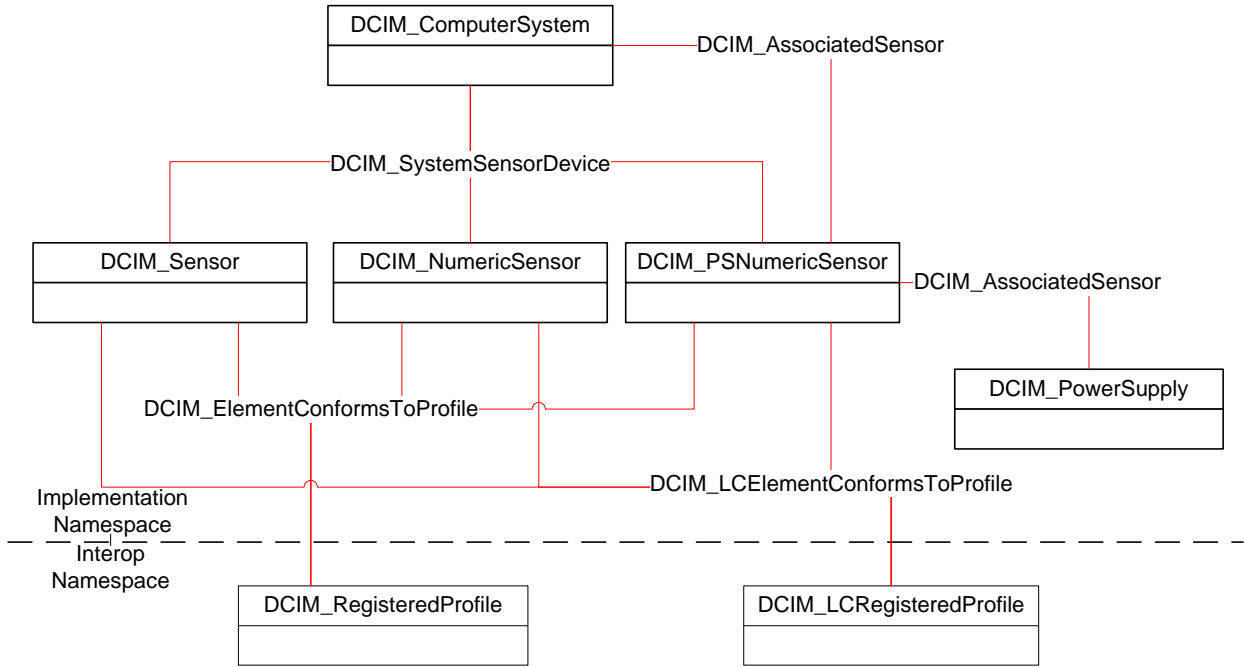
Profile Name	Organization	Version	Relationship
Profile Registration	DCIM	1.0	Reference
Sensors	DMTF	1.0	Specialize

105 **6 Description**

106 The Dell Sensors Profile describes the platform's sensor information. Each platform sensor is
107 represented by an instance of CIM_Sensor class.

108 Figure 1 represents the class schema for the *Sensors Profile*.

109



110

111

Figure 1 – Sensors_Profile Implementation

112 7 Implementation Requirements

113 This section describes the requirements and guidelines for implementing Dell Sensors Profile.

114 **Table 2 – Class Requirements: Sensors Profile**

Element Name	Requirement	Description
Classes		
DCIM_PSNumericSensor	Mandatory	The class shall be implemented in the <i>Implementation Namespace: root/dcim</i> . See section 7.1
DCIM_NumericSensor	Mandatory	The class shall be implemented in the <i>Implementation Namespace: root/dcim</i> . See section 7.2
DCIM_Sensor	Mandatory	The class shall be implemented in the <i>Implementation Namespace: root/dcim</i> . See section 7.3
DCIM_SystemSensorDevice	Mandatory	The class shall be implemented in the <i>Implementation Namespace: root/dcim</i> . See section 7.1, 7.2 and 7.3
DCIM_AssociatedSensor	Mandatory	The class shall be implemented in the <i>Implementation Namespace: root/dcim</i> . See section 7.1
DCIM_ElementConformsToProfile	Mandatory	The class shall be implemented in both the <i>Interop and Implementation Namespace: root/dcim</i> . See section 7.4
DCIM_RegisteredProfile	Mandatory	The class shall be implemented in the <i>Interop Namespace</i> . See section 7.4
DCIM_LCElementConformsToProfile	Mandatory	The class shall be implemented in both the <i>Interop and Implementation Namespace: root/dcim</i> . See section 7.5
DCIM_LCRegisteredProfile	Mandatory	The class shall be implemented in the <i>Interop Namespace</i> . See section 7.5
Indications		
None defined in this profile		

115 7.1 Power Numeric Sensor – DCIM_PSNumericSensor

116 This section describes the implementation for the DCIM_PSNumericSensor class that represents the
117 power related analog sensor.

118 This class shall be instantiated in the Implementation Namespace: root/dcim.

119 The DCIM_SystemSensorDevice association shall reference DCIM_PSNumericSensor instances and the
120 DCIM_ComputerSystem instance.

121 The DCIM_AssociatedSensor association shall reference DCIM_PSNumericSensor instances and the
122 DCIM_ComputerSystem instance.

123 The DCIM_AssociatedSensor association shall reference DCIM_PSNumericSensor instances and the
 124 DCIM_PowerSupply instance.

125 **7.1.1 Power Consumption Sensor in Watts**

126 **7.1.1.1 Resource URIs for WinRM®**

127 The class Resource URI is “http://schemas.dell.com/wbem/wscim/1/cim-
 128 schema/2/DCIM_PSNumericSensor?__cimnamespace=root/dcim”

129 The key properties shall be the SystemCreationClassName, SystemName, CreationClassName and
 130 DeviceID.

131 The instance Resource URI for DCIM_PSNumericSensor instance is:
 132 “http://schemas.dell.com/wbem/wscim/1/cim-
 133 schema/2/DCIM_PSNumericSensor?__cimnamespace=root/dcim+SystemCreationClassName=DCIM_C
 134 omputerSystem+SystemName=srv:system+CreationClassName=DCIM_PSNumericSensor+DeviceID=<
 135 FQDD>”

136 **7.1.1.2 Operations**

137 The following table lists the operations implemented on DCIM_PSNumericSensor.

138 **Table 3 – DCIM_PSNumericSensor - Operations**

Operation Name	Requirements	Required Input
Get	Mandatory	Instance URI
Enumerate	Mandatory	Class URI
Set	Conditional	Instance URI Note: Set operation shall be supported, if the SettableThresholds property contains one or more thresholds for the sensor.

139 **7.1.1.3 Class Properties**

140 The following table lists the implemented properties for DCIM_PSNumericSensor instance in a system.
 141 The DCIM_PSNumericSensor class is mandatory when the DCIM_Sensor class is not implemented. The
 142 “Requirements” column shall denote whether the property is implemented (for requirement definitions,
 143 see section 3). The “Additional Requirements” column shall denote either possible values for the property,
 144 or requirements on the value formulation.

145 **Table 4 – DCIM_PSNumericSensor – Requirements for Power Consumption Sensor in Watts**

Property Name	Type	Requirement	Additional Requirement
SystemCreationClassName	string	Mandatory	The property value shall be “DCIM_ComputerSystem”.
SystemName	string	Mandatory	The property value shall be “srv:system”
CreationClassName	string	Mandatory	The property value shall be “DCIM_PSNumericSensor”
DeviceID	string	Mandatory	The property shall have the sensor FQDD value.
BaseUnits	uint16	Mandatory	The property value shall be 7 (watts).
CurrentReading	sint32	Mandatory	The present value indicated by the Sensor. The property value shall be in watts.

Property Name	Type	Requirement	Additional Requirement
CurrentState	string	Mandatory	The present state indicated by the Sensor. The property value shall be a value from the "PossibleStates" value array. The property may have "Unknown" value.
ElementName	string	Mandatory	The property shall describe the sensor location.
EnabledState	uint16	Mandatory	The property value shall be 2 (enabled)
HealthState	uint16	Mandatory	Indicates the current health of the sensor. The property value shall be one of the following: <ul style="list-style-type: none"> • 0(Unknown) • 5 (OK) • 10(Degraded/Warning) • 25 (Critical Failure)
OperationalStatus	uint16	Mandatory	This property indicates the current statuses of the sensor. The property value shall be one of the following: <ul style="list-style-type: none"> • 0(Unknown) • 2(OK) • 3(Degraded) • 6 (Error)
PossibleStates	string	Mandatory	The property shall have the following values: <ul style="list-style-type: none"> • Other • Unknown • OK • Non-Critical • Critical • Fatal
PrimaryStatus	uint16	Mandatory	The property value shall be one of the following: <ul style="list-style-type: none"> • 0(Unknown) • 1(OK) • 2(Degraded) • 3 (Error)
RateUnits	uint16	Mandatory	The property value shall be 0 (None)
RequestedState	uint16	Mandatory	The property value shall be 12 (Not Applicable)
Resolution	uint32	Mandatory	The property value shall be 1.
SensorType	uint16	Mandatory	The property value shall be 13 (Power Consumption).
SettableThresholds[]	uint16	Mandatory	An array representing the writable thresholds supported by Sensor.
SupportedThresholds[]	uint16	Mandatory	The array property shall have the following value: <ul style="list-style-type: none"> • 1(UpperThresholdNonCritical) • 3(UpperThresholdCritical), if the similarly named thresholds are supported.
UnitModifier	sint32	Mandatory	The property shall denote the decimal magnitude of the value: CurrentReading * 10^(UnitModifier) and shall have value 0.

Property Name	Type	Requirement	Additional Requirement
UpperThresholdCritical	sint32	Mandatory	The property shall be populated in 1 Watt units, if the instrumentation supports it.
UpperThresholdNonCritical	sint32	Mandatory	The property shall be populated in 1 Watt units, if the instrumentation supports it.

146 **7.1.2 Power Consumption Sensor in Amps**

147 This section describes the implementation for the DCIM_PSNumericSensor class.

148 This class shall be instantiated in the Implementation Namespace: root/dcim.

149 **7.1.2.1 Resource URIs for WinRM®**

150 The class Resource URI is “http://schemas.dell.com/wbem/wscim/1/cim-
151 schema/2/DCIM_PSNumericSensor?__cimnamespace=root/dcim”

152 The key properties shall be the SystemCreationClassName, SystemName, CreationClassName and
153 DeviceID.

154 The instance Resource URI for DCIM_PSNumericSensor instance is:
155 “http://schemas.dell.com/wbem/wscim/1/cim-
156 schema/2/DCIM_PSNumericSensor?__cimnamespace=root/dcim+SystemCreationClassName=DCIM_C
157 omputerSystem+SystemName=
158 srv:system+CreationClassName=DCIM_PSNumericSensor+DeviceID=<FQDD>”

159 **7.1.2.2 Operations**

160 The following table lists the operations implemented on DCIM_PSNumericSensor.

161 **Table 5 – DCIM_PSNumericSensor - Operations**

Operation Name	Requirements	Required Input
Get	Mandatory	Instance URI
Enumerate	Mandatory	Class URI
Set	Conditional	Instance URI Note: Set operation shall be supported, if the SettableThresholds property contains one or more thresholds for the sensor.

162 **7.1.2.3 Properties**

163 The following table lists the implemented properties for DCIM_PSNumericSensor instance representing a
164 an analog power consumption sensor in a system measuring power supply consumption in amperes. The
165 “Requirements” column shall denote whether the property is implemented (for requirement definitions,
166 see section 3). The “Additional Requirements” column shall denote either possible values for the property,
167 or requirements on the value formulation.

168 **Table 6 – DCIM_PSNumericSensor – Requirements for Power Supply Sensor in Amperes**

Property Name	Type	Requirement	Additional Requirement
SystemCreationClassName	string	Mandatory	DCIM_ComputerSystem
SystemName	string	Mandatory	srv:system
CreationClassName	string	Mandatory	DCIM_PSNumericSensor
DeviceID	string	Mandatory	The property shall have the sensor FQDD value.
BaseUnits	uint16	Mandatory	6 (Amps)

Property Name	Type	Requirement	Additional Requirement
CurrentReading	sint32	Mandatory	The property value shall be in 100 miliAmperes units.
CurrentState	string	Mandatory	The present state indicated by the Sensor. The property value shall be a value from the "PossibleStates" value array. The property may have "Unknown" value.
ElementName	string	Mandatory	The property shall describe the sensor location.
EnabledState	uint16	Mandatory	The property value shall be 2 (enabled)
HealthState	uint16	Mandatory	Indicates the current health of the sensor. The property value shall be one of the following: <ul style="list-style-type: none"> • 0(Unknown) • 5 (OK) • 10(Degraded/Warning) • 25 (Critical Failure)
OperationalStatus[]	uint16	Mandatory	Indicates the current statuses of the sensor. The property value shall be one of the following: <ul style="list-style-type: none"> • 0(Unknown) • 2(OK) • 3(Degraded) • 6 (Error)
PossibleStates[]	string	Mandatory	The property shall have the following values: <ul style="list-style-type: none"> • Other • Unknown • OK • Non-Critical • Critical • Fatal
PrimaryStatus	uint16	Mandatory	The property value shall be one of the following: <ul style="list-style-type: none"> • 0(Unknown), • 1(OK), • 2(Degraded) • 3 (Error)
RateUnits	uint16	Mandatory	The property value shall be 0 (None)
RequestedState	uint16	Mandatory	The property value shall be 12 (Not Applicable)
Resolution	uint32	Mandatory	The property value shall be 1.
SensorType	uint16	Mandatory	The property value shall be 13 (Power Consumption).
SettableThresholds[]	uint16	Mandatory	An array representing the writable thresholds supported by Sensor.
SupportedThresholds[]	uint16	Mandatory	The array property shall have the following value: <ul style="list-style-type: none"> • 1(UpperThresholdNonCritical), • 3(UpperThresholdCritical), if the similarly named thresholds are supported.
UnitModifier	sint32	Mandatory	The property value shall be -1. The property shall describe that the value in the CurrentReading has to be multiplied with 10 ⁻¹ to get the actual value of the sensor reading in the units described in the BaseUnits property.
UpperThresholdCritical	sint32	Mandatory	The property shall be populated in 100 miliAmperes units, if the instrumentation supports it.

Property Name	Type	Requirement	Additional Requirement
UpperThresholdNonCritical	sint32	Mandatory	The property shall be populated in 100 milliAmperes units, if the instrumentation supports it.

169 7.2 Non-Power Analog Sensors – DCIM_NumericSensor

170 This section describes the implementation for the DCIM_NumericSensor class that represents non power
171 related analog sensor.

172 This class shall be instantiated in the Implementation Namespace: root/dcim.

173 The DCIM_SystemSensorDevice association shall reference DCIM_NumericSensor instances and the
174 DCIM_ComputerSystem instance.

175 7.2.1 Resource URIs for WinRM®

176 The class Resource URI is “http://schemas.dell.com/wbem/wscim/1/cim-
177 schema/2/DCIM_NumericSensor?__cimnamespace=root/dcim”

178 The key properties shall be the SystemCreationClassName, SystemName, CreationClassName and
179 DeviceID.

180 The instance Resource URI for DCIM_NumericSensor instance is:
181 “http://schemas.dell.com/wbem/wscim/1/cim-
182 schema/2/DCIM_NumericSensor?__cimnamespace=root/dcim+SystemCreationClassName=DCIM_Com
183 puterSystem+SystemName=srcv:system+CreationClassName=DCIM_NumericSensor+DeviceID=<FQDD
184 >”

185 7.2.2 Operations

186 The following table lists the operations implemented on DCIM_NumericSensor.

187 **Table 7 – DCIM_NumericSensor - Operations**

Operation Name	Requirements	Required Input
Get	Mandatory	Instance URI
Enumerate	Mandatory	Class URI
Set	Conditional	Instance URI Note: Set operation shall be supported, if the SettableThresholds property contains one or more thresholds for the sensor and is not NULL. Note: Set operation may modify only the properties denoted in the SettableThresholds property.

188 7.2.3 Class Properties

189 The following table lists the implemented properties for DCIM_NumericSensor instance representing a an
190 IPMI analog sensor in a system. The “Requirements” column shall denote whether the property is
191 implemented (for requirement definitions, see section 3). The “Additional Requirements” column shall
192 denote either possible values for the property, or requirements on the value formulation.

193 **Table 8 – DCIM_NumericSensor – Requirements Non-Power Analog Sensor**

Property Name	Type	Requirement	Additional Requirement
---------------	------	-------------	------------------------

Property Name	Type	Requirement	Additional Requirement
SystemCreationClassName	string	Mandatory	The property value shall be "DCIM_ComputerSystem".
SystemName	string	Mandatory	The property value shall be "system".
CreationClassName	string	Mandatory	The property value shall be "DCIM_NumericSensor".
DeviceID	string	Mandatory	The property shall have the sensor FQDD value.
BaseUnits	uint16	Mandatory	The property value shall be one of the following: <ul style="list-style-type: none"> • 2 (Degrees C) • 5 (Volts) • 19 (RPM)
CurrentReading	sint32	Mandatory	The property value shall be in units specified by the BaseUnit property value multiplied by 10 to the power of the UnitModier property value.
CurrentState	string	Mandatory	The present state indicated by the Sensor. The property value shall be a value from the "PossibleStates" value array. The property may have "Unknown" value.
ElementName	string	Mandatory	The property shall describe the sensor location.
EnabledState	uint16	Mandatory	The property value shall be 2 (enabled)
HealthState	uint16	Mandatory	Indicates the current health of the sensor. The property value shall be one of the following: <ul style="list-style-type: none"> • 0(Unknown) • 5 (OK) • 10(Degraded/Warning) • 25 (Critical Failure)
OperationalStatus[]	uint16	Mandatory	Indicates the current statuses of the sensor. The property value shall be one of the following: <ul style="list-style-type: none"> • 0(Unknown) • 2(OK) • 3(Degraded) • 6 (Error)
PossibleStates[]	string	Mandatory	The property shall have the following values: <ul style="list-style-type: none"> • Other • Unknown • OK • Non-Critical • Critical • Fatal
PrimaryStatus	uint16	Mandatory	The property value shall be one of the following: <ul style="list-style-type: none"> • 0(Unknown) • 1(OK) • 2(Degraded) • 3 (Error)
RateUnits	uint16	Mandatory	The property value shall be 0 (None)
RequestedState	uint16	Mandatory	The property value shall be 12 (Not Applicable)
Resolution	uint32	Mandatory	The property value shall be 1.

Property Name	Type	Requirement	Additional Requirement
SensorType	uint16	Mandatory	The property shall have one of the following values: <ul style="list-style-type: none"> • 1(Other) • 2(Temperature) • 3(Voltage) • 4(Current) • 5(Tachometer).
SettableThresholds[]	uint16	Mandatory	An array representing the writable thresholds supported by Sensor. The NULL value shall represent that the sensor does not support any settable thresholds.
SupportedThresholds[]	uint16	Mandatory	The array property shall contain all the supported thresholds for the sensor. The NULL value shall represent that the sensor does not support any thresholds.
UnitModifier	sint32	Mandatory	The property shall denote the decimal magnitude of the value: $CurrentReading * 10^{UnitModifier}$ and shall have one of the following values: -1, 0.
LowerThresholdCritical	sint32	Conditonal	The property shall have non-NULL value if the SupportedThresholds array contains the value 2(LowerThresholdCritical).
LowerThresholdNonCritical	sint32	Conditonal	The property shall have non-NULL value if the SupportedThresholds array contains the value 0(LowerThresholdNonCritical).
UpperThresholdCritical	sint32	Conditonal	The property shall have non-NULL value if the SupportedThresholds array contains the value 3(UpperThresholdCritical).
UpperThresholdNonCritical	sint32	Conditonal	The property shall have non-NULL value if the SupportedThresholds array contains the value 1(UpperThresholdNonCritical).

194 **7.3 Non-Power Digital Sensors – DCIM_Sensor**

195 This section describes the implementation for the DCIM_Sensor class that represents non-power related
196 digital sensor.

197 This class shall be instantiated in the Implementation Namespace: root/dcim.

198 The DCIM_SystemSensorDevice association shall reference DCIM_Sensor instances and the
199 DCIM_ComputerSystem instance.

200 **7.3.1 Resource URIs for WinRM®**

201 The class Resource URI is “http://schemas.dell.com/wbem/wscim/1/cim-
202 schema/2/DCIM_Sensor?__cimnamespace=root/dcim”

203 The key properties shall be the SystemCreationClassName, SystemName, CreationClassName and
204 DeviceID.

205 The instance Resource URI for DCIM_Sensor instance is: “http://schemas.dell.com/wbem/wscim/1/cim-
206 schema/2/DCIM_Sensor?__cimnamespace=root/dcim+SystemCreationClassName=DCIM_ComputerSys-
207 tem+SystemName=srv:system+CreationClassName=DCIM_Sensor+DeviceID=<FQDD>”

208 **7.3.2 Operations**

209 The following table lists the operations implemented on DCIM_Sensor.

210 **Table 9 – DCIM_Sensor - Operations**

Operation Name	Requirements	Required Input
Get	Mandatory	Instance URI
Enumerate	Mandatory	Class URI

211 **7.3.3 Properties**

212 The following table lists the implemented properties for DCIM_Sensor instance representing an IPMI
 213 digital sensor in a system. The “Requirements” column shall denote whether the property is implemented
 214 (for requirement definitions, see section 3). The “Additional Requirements” column shall denote either
 215 possible values for the property, or requirements on the value formulation.

216 **Table 10 – DCIM_Sensor – Requirements for Non-Power Digital Sensor**

Property Name	Type	Requirement	Additional Requirement
SystemCreationClassName	string	Mandatory	The property value shall be "DCIM_ComputerSystem".
SystemName	string	Mandatory	The property value shall be "system".
CreationClassName	string	Mandatory	The property value shall be "DCIM_Sensor".
DeviceID	string	Mandatory	The property shall have the sensor FQDD value.
CurrentState	string	Mandatory	The present state indicated by the Sensor. The property value shall be a value from the "PossibleStates" value array. The property may have "Unknown" value.
ElementName	string	Mandatory	The property shall describe the sensor location.
EnabledState	uint16	Mandatory	The property value shall be 2 (enabled)
HealthState	uint16	Mandatory	Indicates the current health of the sensor. The property value shall be one of the following: <ul style="list-style-type: none"> • 0(Unknown) • 5 (OK) • 10(Degraded/Warning) • 25 (Critical Failure)
OperationalStatus[]	uint16	Mandatory	Indicates the current statuses of the sensor. The property value shall be one of the following: <ul style="list-style-type: none"> • 0(Unknown) • 2(OK) • 3(Degraded) • 6 (Error)
PossibleStates[]	string	Mandatory	The property shall have the following values: <ul style="list-style-type: none"> • Other • Unknown • OK • Non-Critical • Critical • Fatal

Property Name	Type	Requirement	Additional Requirement
PrimaryStatus	uint16	Mandatory	The property value shall be one of the following: <ul style="list-style-type: none"> • 0(Unknown) • 1(OK) • 2(Degraded) • 3 (Error)
RequestedState	uint16	Mandatory	The property value shall be 12 (Not Applicable)
SensorType	uint16	Mandatory	The property shall have one of the following values: <ul style="list-style-type: none"> • 1(Other) • 2(Temperature) • 3(Voltage) • 4(Current) • 5(Tachometer).

217 7.4 DCIM_RegisteredProfile - DMTF Sensors Profile Profile Registration

218 This section describes the implementation for the DCIM_RegisteredProfile class

219 This class shall be instantiated in the Interop Namespace.

220 The DCIM_ElementConformsToProfile shall be instantiate in both the Interop Namespace and
221 Implementation Namespace: root/dcim and shall reference the DCIM_RegisteredProfile instance.

222 7.4.1 Resource URIs for WinRM®

223 The class Resource URI shall be "http://schemas.dell.com/wbem/wscim/1/cim-
224 schema/2/DCIM_RegisteredProfile?__cimnamespace=root/interop"

225 The instance Resource URI shall be: "http://schemas.dell.com/wbem/wscim/1/cim-
226 schema/2/DCIM_LCRegisteredProfile?__cimnamespace=root/interop+InstanceID=DMTF:Sensors:1.0.0"

227 The key property shall be the InstanceID property.

228 7.4.2 Operations

229 The following table lists the operations implemented on CIM_RegisteredProfile .

230 **Table 11 – CIM_RegisteredProfile - Operations**

Operation Name	Requirements	Required Input
Get	Mandatory	Instance URI
Enumerate	Mandatory	Class URI

231 7.4.3 DCIM_RegisteredProfile Properties

232 The following table lists the implemented properties for DCIM_RegisteredProfile instance. The
233 "Requirements" column shall denote whether the property is implemented (for requirement definitions,
234 see section 3). The "Additional Requirements" column shall denote either possible values for the property,
235 or requirements on the value formulation.

236 **Table 12 – DCIM_RegisteredProfile**

Property Name	Requirement	Type	Additional Requirements
---------------	-------------	------	-------------------------

Property Name	Requirement	Type	Additional Requirements
InstanceID	Mandatory	string	DMTF:Sensors:1.0.0
RegisteredName	Mandatory	string	This property value shall be "Sensors".
RegisteredVersion	Mandatory	string	This property value shall be "1.0.0".
RegisteredOrganization	Mandatory	uint16	This property value shall be 2 (DMTF).
AdvertisedTypes[]	Mandatory	uint16	This property array shall contain [1(Other), 1 (Other)].
AdvertiseTypeDescriptions[]	Mandatory	string	This property array shall contain ["WS-Identify", "Interop Namespace"].

237 7.5 DCIM_LCRegisteredProfile - DCIM Sensors Profile Profile Registration

238 This section describes the implementation for the DCIM_RegisteredProfile class

239 This class shall be instantiated in the Interop Namespace.

240 The DCIM_LCElementConformsToProfile shall be instantiate in both the Interop Namespace and
241 Implementation Namespace: root/dcim and shall reference the DCIM_LCRegisteredProfile instance.

242 7.5.1 Resource URIs for WinRM®

243 The class Resource URI shall be "http://schemas.dell.com/wbem/wscim/1/cim-
244 schema/2/DCIM_LCRegisteredProfile?__cimnamespace=root/interop"

245 The key property shall be the InstanceID property.

246 The instance Resource URI shall be: "http://schemas.dell.com/wbem/wscim/1/cim-
247 schema/2/DCIM_LCRegisteredProfile?__cimnamespace=root/interop+InstanceID=DCIM:Sensors:1.0.0"

248 7.5.2 Operations

249 The following table lists the operations implemented on DCIM_RegisteredProfile .

250 **Table 13 – DCIM_RegisteredProfile - Operations**

Operation Name	Requirements	Required Input
Get	Mandatory	Instance URI
Enumerate	Mandatory	Class URI

251 7.5.3 Properties

252 The following table lists the implemented properties for DCIM_LCRegisteredProfile instance. The
253 "Requirements" column shall denote whether the property is implemented (for requirement definitions,
254 see section 3). The "Additional Requirements" column shall denote either possible values for the property,
255 or requirements on the value formulation.

256 **Table 14 – DCIM_LCRegisteredProfile**

Property Name	Requirement	Type	Additional Requirements
InstanceID	Mandatory	string	DCIM:Sensors:1.0.0
RegisteredName	Mandatory	string	This property value shall be "Sensors".
RegisteredVersion	Mandatory	string	This property value shall be "1.0.0".
RegisteredOrganization	Mandatory	uint16	This property value shall be 1 (Other).
OtherRegisteredOrganization	Mandatory	string	The property value shall be "DCIM".

Property Name	Requirement	Type	Additional Requirements
AdvertisedTypes[]	Mandatory	uint16	This property array shall contain [1(Other), 1 (Other)].
AdvertiseTypeDescriptions[]	Mandatory	string	This property array shall contain ["WS-Identify", "Interop Namespace"].
ProfileRequireLicense[]	Mandatory	String	This property array shall describe the required licenses for this profile. If no license is required for the profile, the property shall have value NULL.
ProfileRequireLicenseStatus[]	Mandatory	String	This property array shall contain the status for the corresponding license in the same element index of the ProfileRequireLicense array property. Each array element shall contain: <ul style="list-style-type: none"> • "LICENSED" • "NOT_LICENSED" If no license is required for the profile, the property shall have value NULL.

257 8 Methods

258 No additional details specified.

259 9 Use Cases

260 See *Lifecycle Controller (LC) Integration Best Practices Guide*.

261 10 CIM Elements

262 No additional details specified.

263 11 Privilege and License Requirement

264 The following table describes the privilege and license requirements for the listed operations. For the
265 detailed explanation of the privileges and licenses, refer to the Dell WSMAN Licenses and Privileges
266 specification.

267 **Table 15 – Privilege and License Requirements**

Class and Method	Operation	User Privilege Required	License Required
DCIM_PSNumericSensor	ENUMERATE, GET	Login	None.
DCIM_PSNumericSensor	SET	Login, Configure	None.
DCIM_NumericSensor	ENUMERATE, GET	Login	None.
DCIM_NumericSensor	SET	Login, Configure	None
DCIM_Sensor	ENUMERATE, GET	Login	None.
DCIM_SystemSensorDevice	ENUMERATE, GET	Login	None.

Class and Method	Operation	User Privilege Required	License Required
DCIM_AssociatedSensor	ENUMERATE, GET	Login	None.
DCIM_ElementConformsToProfile	ENUMERATE, GET	Login	None.
DCIM_RegisteredProfile	ENUMERATE, GET	Login	None.
DCIM_LCRegisteredProfile	ENUMERATE, GET	Login	None.
DCIM_LCElementConformsToProfile	ENUMERATE, GET	Login	None.

268