

Service Processor Profile

1
2
3
4
5
6
7
8
9
10
11
12
13
14
15
16
17
18
19
20
21
22
23
24
25
26
27
28
29
30
31



Document Number: DCIM1054
Document Type: Specification
Document Status: Published
Document Language: E
Date: 2012-10-18

Version: 1.0.2

32
33
34
35
36
37
38
39
40
41
42
43
44
45
46
47
48
49
50
51
52
53
54
55
56
57
58
59
60
61
62
63
64
65

THIS PROFILE IS FOR INFORMATIONAL PURPOSES ONLY, AND MAY CONTAIN TYPOGRAPHICAL ERRORS AND TECHNICAL INACCURACIES. THE CONTENT IS PROVIDED AS IS, WITHOUT EXPRESS OR IMPLIED WARRANTIES OF ANY KIND. ABSENT A SEPARATE AGREEMENT BETWEEN YOU AND DELL™ WITH REGARD TO FEEDBACK TO DELL ON THIS PROFILE SPECIFICATION, YOU AGREE ANY FEEDBACK YOU PROVIDE TO DELL REGARDING THIS PROFILE SPECIFICATION WILL BE OWNED AND CAN BE FREELY USED BY DELL.

© 2012 Dell Inc. All rights reserved. Reproduction in any manner whatsoever without the express written permission of Dell, Inc. is strictly forbidden. For more information, contact Dell.

Dell and the *DELL* logo are trademarks of Dell Inc. Other trademarks and trade names may be used in this document to refer to either the entities claiming the marks and names or their products. Dell disclaims proprietary interest in the marks and names of others.

CONTENTS

66			
67	1	Scope	5
68	2	Normative References.....	5
69	3	Terms and Definitions	5
70	4	Symbols and Abbreviated Terms	7
71	5	Synopsis.....	8
72	6	Description	9
73	7	Implementation Requirements	10
74	7.1	DCIM_SPCoMputerSystem - Service Processor	10
75	7.2	DCIM_TimeService – Time Service.....	12
76	7.3	DCIM_RegisteredProfile - DMTF Service Processor Profile Registration.....	13
77	7.4	DCIM_LCRegisteredProfile	14
78	8	Methods.....	15
79	8.1	DCIM_SPCoMputerSystem.RequestStateChange()	15
80	8.2	DCIM_TimeService.ManageTime()	16
81	9	Use Cases.....	17
82	10	CIM Elements.....	17
83	11	Privilege and License Requirement	18
84		ANNEX A (informative) Change Log.....	19
85			

86 **Figures**

87 Figure 1 – Service Processor Profile Class Diagram..... 9
88

89 **Tables**

90 Table 1 – Related Profiles..... 8
91 Table 2 – Class Requirements: Service Processor Profile 10
92 Table 3 – DCIM_SPComputerSystem - Operations 11
93 Table 4 – DCIM_SPComputerSystem - Properties 11
94 Table 5 – DCIM_SystemInteger – Operations..... 12
95 Table 6 – DCIM_TimeService - Properties 12
96 Table 7 – DCIM_RegisteredProfile - Operations 13
97 Table 8 – DCIM_RegisteredProfile 13
98 Table 9 – DCIM_LCRegisteredProfile - Operations..... 14
99 Table 10 – DCIM_LCRegisteredProfile..... 14
100 Table 11 – CIM_ComputerSystem.RequestStateChange() Method: Return Code Values 16
101 Table 12 – CIM_ComputerSystem.RequestStateChange() Method: Parameters 16
102 Table 13 – CIM_ComputerSystem.RequestStateChange() Method: Standard Messages 16
103 Table 14 – CIM_TimeService.ManageTime() Method: Return Code Values 17
104 Table 15 – CIM_TimeService.ManageTime() Method: Parameters 17
105 Table 16 – CIM_TimeService.ManageTime() Method: Standard Messages..... 17
106 Table 17 – Privilege and License Requirements 18

107

Service Processor Profile

109 **1 Scope**

110 The DCIM Service Processor Profile describes the properties and interfaces for executing system
111 management tasks related to the management of the service processor, iDRAC. The profile standardizes
112 and aggregates the description for the platform's basic properties into a system view representation and
113 provides static methodology for the clients to query the system views without substantial traversal of the
114 model.

115 **2 Normative References**

116 Refer to the following documents for more information.

117 **NOTE:** For dated references, only the edition cited applies. For undated references, the latest edition of
118 the referenced document (including any amendments) applies.

- 119 • DMTF DSP1018, *Service Processor Profile 1.0.0*
- 120 • DMTF DSP1033, *Profile Registration Profile 1.0.0*
- 121 • DMTF DSP0226, *Web Services for Management (WS-Management) Specification 1.1.0*
- 122 • DMTF DSP0227, *WS-Management CIM Binding Specification 1.0.0*
- 123 • *Dell Lifecycle Controller Best Practices Guide 1.0,*
124 http://en.community.dell.com/techcenter/extras/m/white_papers/20066173.aspx
- 125 • *Dell WSMAN Licenses and Privileges 1.0*
- 126 • Dell Tech Center MOF Library:
127 <http://www.delltechcenter.com/page/DCIM.Library.MOF>
- 128 • Related Managed Object Format (MOF) files:
 - 129 ○ DCIM_SPCoMputerSystem.mof
 - 130 ○ DCIM_TimeService.mof
 - 131 ○ DCIM_SPHostedTimeService.mof
 - 132 ○ DCIM_SPHostedSystemDevice.mof

133 **3 Terms and Definitions**

134 For the purposes of this document, the following terms and definitions apply.

- 135 **3.1**
136 **Conditional** – Indicates requirements to be followed strictly in order to conform to the document when the
137 specified conditions are met.
- 138 **3.2**
139 **Mandatory** – Indicates requirements to be followed strictly in order to conform to the document and from
140 which no deviation is permitted.
- 141 **3.3**
142 **May** – Indicates a course of action permissible within the limits of the document.
- 143 **3.4**
144 **Optional** – Indicates a course of action permissible within the limits of the document.
- 145 **3.5**
146 **can** – Used for statements of possibility and capability, whether material, physical, or causal.
- 147 **3.6**
148 **cannot** – Used for statements of possibility and capability, whether material, physical, or causal.
- 149 **3.7**
150 **need not** – Indicates a course of action permissible within the limits of the document.
- 151 **3.8**
152 **referencing profile** – Indicates a profile that owns the definition of this class and can include a reference
153 to this profile in its “Related Profiles” table.
- 154 **3.9**
155 **shall** – Indicates requirements to be followed strictly in order to conform to the document and from which
156 no deviation is permitted.

- 157 **3.10**
158 **shall not** – Indicates requirements to be followed strictly in order to conform to the document and from
159 which no deviation is permitted.
- 160 **3.11**
161 **should** – Indicates that among several possibilities, one is recommended as particularly suitable, without
162 mentioning or excluding others, or that a certain course of action is preferred but not necessarily required.
- 163 **3.12**
164 **should not** – Indicates that a certain possibility or course of action is deprecated but not prohibited
- 165 **3.13**
166 **FQDD** – Fully Qualified Device Descriptor is used to identify a particular component in a system.
- 167 **3.14**
168 **Interop Namespace** – Interop Namespace is where instrumentation instantiates classes to advertise its
169 capabilities for client discovery.
- 170 **3.15**
171 **Implementation Namespace** – Implementation Namespace is where instrumentation instantiates
172 classes relevant to executing core management tasks.
- 173 **3.16**
174 **ENUMERATE** – Refers to WS-MAN `ENUMERATE` operation as described in Section 8.2 of
175 `DSP0226_V1.1` and Section 9.1 of `DSP0227_V1.0`
- 176 **3.17**
177 **GET** – Refers to WS-MAN `GET` operation as defined in Section 7.3 of `DSP00226_V1.1` and Section 7.1
178 of `DSP0227_V1.0`

179 **4 Symbols and Abbreviated Terms**

180 **4.1**
181 **CIM - Common Information Model**

182 **4.2**
183 **iDRAC** - Integrated Dell Remote Access Controller – management controller for blades and monolithic
184 servers

185 **4.3**
186 **CMC** - Chassis Manager Controller – management controller for the modular chassis
187

189 5 Synopsis

190 **Profile Name:** Service Processor

191 **Version:** 1.0.0

192 **Organization:** Dell

193 **CIM Schema Version:** 2.26 Experimental

194 **Dell Schema Version:** 1.0.0

195 **Interop Namespace:** root/interop

196 **Implementation Namespace:** root/dcim

197 **Central Class:** DCIM_SPCoMputerSystem

198 **Scoping Class:** DCIM_CoMputerSystem

199 The Dell Service Processor Profile is a component profile that contains the Dell specific implementation
200 requirements for service processor.

201 DCIM_SPCoMputerSystem shall be the Central Class.

202 Table 1 identifies profiles that are related to this profile.

203

Table 1 – Related Profiles

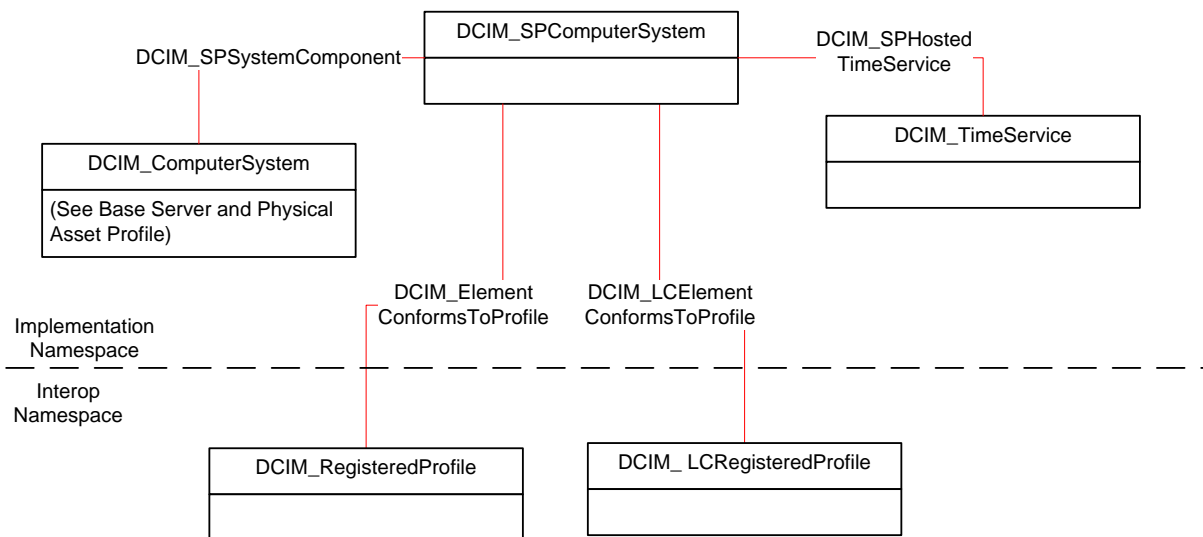
Profile Name	Organization	Version	Relationship
Profile Registration	DCIM	1.0	Reference
Service Processor	DMTF	1.0	Specialize

204 **6 Description**

205 The Dell Service Processor Profile describes a system management device.

206 Figure 1 details the class diagram of Dell Service Processor Profile

207 .



208

209

Figure 1 – Service Processor Profile Class Diagram

210 7 Implementation Requirements

211 This section describes the requirements and guidelines for implementing Dell Service Processor Profile.

212 **Table 2 – Class Requirements: Service Processor Profile**

Element Name	Requirement	Description
Classes		
DCIM_SPCoMputerSystem	Mandatory	The class shall be implemented in the <i>Implementation Namespace</i> . See section 7.1
DCIM_TimeService	Mandatory	The class shall be implemented in the <i>Implementation Namespace</i> . See section 0
DCIM_SPSystemComponent	Mandatory	The class shall be implemented in the <i>implementation namespace</i> . See section 7.1
DCIM_SPHostedTimeService	Mandatory	The class shall be implemented in the <i>Interop Namespace</i> . See sections 7.1 and 0
DCIM_ElementConformsToProfile	Mandatory	The class shall be implemented in both the <i>Interop</i> and <i>Implementation Namespaces</i> . See sections 7.1 and 0
DCIM_RegisteredProfile	Mandatory	The class shall be implemented in the <i>Interop Namespace</i> . See section 0
DCIM_LCElementConformsToProfile	Mandatory	The class shall be implemented in both the <i>Interop</i> and <i>Implementation Namespaces</i> . See sections 7.1 and 7.4
DCIM_LCRegisteredProfile	Mandatory	The class shall be implemented in the <i>Interop Namespace</i> . See section 7.4
Indications		
None defined in this profile		

213

214 7.1 DCIM_SPCoMputerSystem - Service Processor

215 This section describes the implementation for the DCIM_SPCoMputerSystem class representing the
216 service processor, iDRAC.

217 This class shall be instantiated in the Implementation Namespace.

218 The DCIM_LCElementConformsToProfile association(s) shall reference the DCIM_SPCoMputerSystem
219 instance(s).

220 The DCIM_SPSystemComponent association shall reference the DCIM_SPCoMputerSystem instance and
221 associate it with the DCIM_CoMputerSystem instance.

222 The DCIM_SPHostedTimeService association shall reference the DCIM_SPCoMputerSystem instance and
223 associate it with the DCIM_TimeService instance.

224 **7.1.1 Resource URIs for WinRM®**

225 The class Resource URI shall be “http://schemas.dell.com/wbem/wscim/1/cim-
226 schema/2/DCIM_SPCoMputerSystem?__cimnamespace=root/dcim”

227 The key properties shall be the CreationClassName and Name.

228 The instance Resource URI for DCIM_SPCoMputerSystem instance shall be:
229 “http://schemas.dell.com/wbem/wscim/1/cim-
230 schema/2/DCIM_SPCoMputerSystem?__cimnamespace=root/dcim+CreationClassName=DCIM_SPCoM
231 puterSystem+Name=systemmc”

232 **7.1.2 Operations**

233 The following table lists the operations implemented on DCIM_SPCoMputerSystem.

234 **Table 3 – DCIM_SPCoMputerSystem - Operations**

Operation Name	Requirements	Required Input
Get	Mandatory	Instance URI
Enumerate	Mandatory	Class URI
Invoke	Mandatory	Instance URI

235

236 **7.1.3 Properties**

237 The following table lists the implemented properties for DCIM_SPCoMputerSystem instance in a system.
238 The “Requirements” column shall denote whether the property is implemented (for requirement
239 definitions, see section 3). The “Additional Requirements” column shall denote either possible values for
240 the property, or requirements on the value formulation.

241 **Table 4 – DCIM_SPCoMputerSystem - Properties**

Property Name	Type	Requirements	Additional Requirement
CreationClassName	string	Mandatory	The property value shall be “DCIM_SPCoMputerSystem”
Name	string	Mandatory	The property value shall be “systemmc”
Element Name	string	Mandatory	
EnabledState	string	Mandatory	The property value shall be 2 (Enabled)
OperationalStatus	uint16	Mandatory	The property value shall be 2 (OK)
HealthState	uint16	Mandatory	The property value shall be 5 (OK)
PrimaryStatus	uint16	Mandatory	The property value shall be 1 (OK)
Dedicated	uint16	Mandatory	The property value shall be 28 (Management Controller)
RequestedState	uint16	Mandatory	The property value shall be 12 (not applicable)

242

243

244 **7.2 DCIM_TimeService – Time Service**

245 This section describes the implementation for the DCIM_TimeService class representing the time service
246 for the service processor.

247 The DCIM_SPHostedTimeService association shall reference the DCIM_TimeService instance and
248 associate it with the DCIM_SPCoMputerSystem instance.

249 This class shall be instantiated in the Implementation Namespace.

250 **7.2.1 Resource URIs for WinRM®**

251 The class Resource URI shall be “http://schemas.dell.com/wbem/wscim/1/cim-
252 schema/2/DCIM_TimeService?__cimnamespace=root/dcim”

253 The key properties shall be the CreationClassName, SystemName, Name, and
254 SystemCreationClassName.

255 The instance Resource URI for DCIM_TimeService instance shall be:
256 “http://schemas.dell.com/wbem/wscim/1/cim-
257 schema/2/DCIM_TimeService?__cimnamespace=root/dcim+CreationClassName=DCIM_TimeService+S
258 ystemCreationClassName=DCIM_SPCoMputerSystem +SystemName= systemmmc+Name= DCIM
259 TimeService 1”

260 **7.2.2 Operations**

261 The following table lists the operations implemented on DCIM_SystemInteger.

262 **Table 5 – DCIM_SystemInteger – Operations**

Operation Name	Requirements	Required Input
Get	Mandatory	Instance URI
Enumerate	Mandatory	Class URI
Invoke	Mandatory	Insatnce URI

263 **7.2.3 Class Properties**

264 The following table lists the implemented properties for DCIM_TimeService instance in a system. The
265 “Requirements” column shall denote whether the property is implemented (for requirement definitions,
266 see section 3). The “Additional Requirements” column shall denote either possible values for the property,
267 or requirements on the value formulation.

268 **Table 6 – DCIM_TimeService - Properties**

Property Name	Type	Requirement	Additional Requirements
SystemCreationClassName	string	Mandatory	The property value shall be “DCIM_SPCoMputerSystem”
SystemName	string	Mandatory	The property value shall be “systemmmc”
CreationClassName	string	Mandatory	The property value shall be “DCIM_TimeService”
Name	string	Mandatory	The property value shall be “DCIM TimeService 1”
ElementName	string	Mandatory	The property value shall be “TimeService 1”

269
270

271 **7.3 DCIM_RegisteredProfile - DMTF Service Processor Profile Registration**

272 This section describes the implementation for the DCIM_RegisteredProfile class.

273 This class shall be instantiated in the Interop Namespace.

274 The DCIM_ElementConformsToProfile association(s) shall reference the DCIM_RegisteredProfile
275 instance.

276 **7.3.1 Resource URIs**

277 The class Resource URI shall be "http://schemas.dmtf.org/wbem/wscim/1/cim-
278 schema/2/CIM_RegisteredProfile?__cimnamespace=root/interop"

279 The key property shall be the InstanceID property.

280 The instance Resource URI shall be: "http://schemas.dell.com/wbem/wscim/1/cim-
281 schema/2/DCIM_RegisteredProfile?__cimnamespace=root/interop+InstanceID=
282 DCIM:SPRegisteredProfile:1"

283 **7.3.2 Operations**

284 The following table lists the operations implemented on for DCIM_RegisteredProfile.

285 **Table 7 – DCIM_RegisteredProfile - Operations**

Operation Name	Requirements	Required Input
Get	Mandatory	Instance URI
Enumerate	Mandatory	Class URI

286 **7.3.3 Class Properties**

287 The following table lists the implemented properties for DCIM_RegisteredProfile instance in a system.

288 The "Requirements" column shall denote whether the property is implemented (for requirement
289 definitions, see section 3). The "Additional Requirements" column shall denote either possible values for
290 the property, or requirements on the value formulation.

291 **Table 8 – DCIM_RegisteredProfile**

Property Name	Type	Requirement	Additional Requirements
InstanceID	string	Mandatory	This property value shall be "DCIM:SPRegisteredProfile:1".
RegisteredName	string	Mandatory	This property value shall be "Service Processor".
RegisteredVersion	string	Mandatory	This property value shall be "1.0.0".
RegisteredOrganization	uint16	Mandatory	This property value shall be 2 (DMTF).
AdvertiseTypes[]	uint16	Mandatory	This property value shall be [1(Other),1(Other)].
AdvertiseTypeDescriptions[]	string	Mandatory	This property value shall be ["WS-Identify", "Interop Namespace"].

292

293

294 7.4 DCIM_LCRegisteredProfile

295 This section describes the implementation for the DCIM_LCRegisteredProfile class.

296 This class shall be instantiated in the Interop Namespace.

297 The DCIM_ElementConformsToProfile association(s) shall reference the DCIM_LCRegisteredProfile
298 instance.

299 7.4.1 Resource URIs for WinRM®

300 The class Resource URI shall be "http://schemas.dmtf.org/wbem/wscim/1/cim-
301 schema/2/CIM_RegisteredProfile?__cimnamespace=root/interop"

302 The key property shall be the InstanceID property.

303 The instance Resource URI shall be: "http://schemas.dell.com/wbem/wscim/1/cim-
304 schema/2/DCIM_LCRegisteredProfile?__cimnamespace=root/interop+InstanceID=DCIM:ServiceProcess
305 or:1.0.0"

306 7.4.2 Operations

307 The following table lists the operations implemented on DCIM_LCRegisteredProfile.

308 **Table 9 – DCIM_LCRegisteredProfile - Operations**

Operation Name	Requirements	Required Input
Get	Mandatory	Instance URI
Enumerate	Mandatory	Class URI

309 7.4.3 Class Properties

310 The following table lists the implemented properties for DCIM_LCRegisteredProfile instance in a system.
311 The "Requirements" column shall denote whether the property is implemented (for requirement
312 definitions, see section 3). The "Additional Requirements" column shall denote either possible values for
313 the property, or requirements on the value formulation.

314 **Table 10 – DCIM_LCRegisteredProfile**

Property Name	Type	Requirement	Additional Requirements
InstanceID	string	Mandatory	This property value shall be "DCIM:ServiceProcessor:1.0.0".
RegisteredName	string	Mandatory	This property value shall be "Service Processor".
RegisteredVersion	string	Mandatory	This property value shall be "1.0.0".
RegisteredOrganization	uint16	Mandatory	This property value shall be 1 (Other).
OtherRegisteredOrganization	string	Mandatory	This property value shall be "DCIM".
AdvertiseTypes[]	uint16	Mandatory	This property value shall be [1 (Other), 1 (Other)].
AdvertiseTypeDescriptions[]	string	Mandatory	This property value shall be ["WS-Identify", "Interop Namespace"].

Property Name	Type	Requirement	Additional Requirements
ProfileRequireLicense[]	string	Mandatory	This property array shall describe the required licenses for this profile. If no license is required for the profile, the property shall have value NULL.
ProfileRequireLicenseStatus[]	string	Mandatory	This property array shall contain the status for the corresponding license in the same element index of the ProfileRequireLicense array property. Each array element shall contain: <ul style="list-style-type: none"> “LICENSED” “NOT_LICENSED” If no license is required for the profile, the property shall have value NULL.

315

316

317 **8 Methods**

318 This section details the requirements for supporting extrinsic methods for the CIM elements defined by
319 this profile.

320 **8.1 DCIM_SPCoMputerSystem.RequestStateChange()**

321 Invocation of the CIM_CoMputerSystem.RequestStateChange() method resets the iDRAC's state to the
322 value specified in the RequestedState parameter.

323 Table 11 provides the return values and Table 12 provides the parameters for the RequestStateChange()
324 method.

325 **Table 11 – CIM_ComputerSystem.RequestStateChange() Method: Return Code Values**

Value	Description
0	Request was successfully executed.
2	Error occurred

326 **Table 12 – CIM_ComputerSystem.RequestStateChange() Method: Parameters**

Qualifiers	Name	Type	Description/Values
IN, REQ	RequestedState	uint16	11 (Reset)
OUT	MessageID	string	Error Message ID may be used to look-up in the Dell Message registry files. For more information, see Error Message Registry
OUT	Message	string	Error Message in English corresponding to MessageID is returned if the method fails to execute
OUT	MessageArguments []	string	Substitution variables for dynamic error messages

327 **Table 13 – CIM_ComputerSystem.RequestStateChange() Method: Standard Messages**

MessageID (OUT parameter)	Message	MessageArguments[]
RAC048	The command was successful	NA
RAC040	Missing parameter(s) <parameters>	RequestedState
RAC038	Cannot perform the operation due to an unknown error in iDRAC.	NA
RAC049	Resource allocation failure	NA
RAC039	Invalid parameter value for <parameter>	RequestedState

328

329 **8.2 DCIM_TimeService.ManageTime()**

330 The DCIM_TimeService.ManageTime() method is used to query the service processor time and to set the
 331 service processor time in between of the host system reboots and service processor resets. Note that the
 332 the service processor time set through the successful execution of this method does not persist and is
 333 volatile. The service processor time shall reset to the BIOS time on every reset of the host system or the
 334 service processor.

335 For querying the service processor time, the GetRequest parameter shall have a value of TRUE, the
 336 TimeData parameter shall be an output parameter that contains the service processor time data. For
 337 setting the service processor time, the GetRequest parameter shall have a value of FALSE and the
 338 TimeData parameter shall have the time to be set. If the GetRequest parameter is not specified, the
 339 method shall return a value of 2 (Error Occurred).

340 Detailed requirements of the CIM_TimeService() method are specified in Table 14 and Table 15. No
 341 standard messages are defined for this method.

342 **Table 14 – CIM_TimeService.ManageTime() Method: Return Code Values**

Value	Description
0	Request was successfully executed.
2	Error occurred

343 **Table 15 – CIM_TimeService.ManageTime() Method: Parameters**

Qualifiers	Name	Type	Description/Values
IN, REQ	GetRequest	Boolean	The parameter shall be set to TRUE to request the time for the iDRAC, and shall be set to FALSE for setting the time for the iDRAC.
IN, OUT	TimeData	datetime	On input, this is the desired value for the service processor time. On output, this is the service processor time.
OUT	MessageID	string	Error Message ID may be used to look-up in the Dell Message registry files. For more information, see Error Message Registry
OUT	Message	string	Error Message in English corresponding to MessageID is returned if the method fails to execute
OUT	MessageArguments[]	string	Substitution variables for dynamic error messages

344 **Table 16 – CIM_TimeService.ManageTime() Method: Standard Messages**

MessageID (OUT parameter)	Message	MessageArguments[]
RAC048	The command was successful	NA
RAC040	Missing parameter(s) <parameters>	GetRequest
RAC038	Cannot perform the operation due to an unknown error in iDRAC.	NA
RAC049	Resource allocation failure	NA
RAC039	Invalid parameter value for <parameter>	GetRequest

345

346 **9 Use Cases**

347 See *Lifecycle Controller (LC) Integration Best Practices Guide*.

348 **10 CIM Elements**

349 No additional details specified.

350 11 Privilege and License Requirement

351 The following table describes the privilege and license requirements for the listed operations. For the
 352 detailed explanation of the privileges and licenses, refer to the Dell WSMAN Licenses and Privileges
 353 specification.

354 **Table 17 – Privilege and License Requirements**

Class and Method	Operation	User Privilege Required	License Required
DCIM_SPComputerSystem	ENUMERATE, GET	Login	None.
DCIM_SPComputerSystem.RequestedStateChange()	INVOKE	Login, System Control	None.
DCIM_TimeService	ENUMERATE, GET	Login	None.
DCIM_TimeService.ManageTime()	INVOKE	Login, System Control	None.
DCIM_SPSystemComponent	ENUMERATE, GET	Login	None.
DCIM_SPHostedTimeService	ENUMERATE, GET	Login	None.
DCIM_ElementConformsToProfile	ENUMERATE, GET	Login	None.
DCIM_RegisteredProfile	ENUMERATE, GET	Login	None.
DCIM_LCRegisteredProfile	ENUMERATE, GET	Login	None.
DCIM_LCElementConformsToProfile	ENUMERATE, GET	Login	None.

355

356
357
358
359
360

ANNEX A (informative)

Change Log

Version	Date	Description
1.0.0	03/08/2012	Initial Version.
1.0.1	04/10/2012	Corrected the DCIM_TimeService.ElementName property value constraint.
1.0.2	10/17/2012	Added behavior description regarding the volatility of the service processor time in the DCIM_TimeService.ManageTime() method.

361
362