

Dell™ PowerVault™  
600 Systems

# Getting Started With Your System

Začínáme se systémem

Guide de mise en route

Erste Schritte mit dem System

Τα πρώτα βήματα Με το σύστημά σας

Rozpoczęcie pracy z systemem

Начало работы с системой

Procedimientos iniciales con el sistema

תחילת העבודה עם המערכת



Dell™ PowerVault™ 600  
Systems

Getting Started  
With Your System

Model MVT01



# Notes, Notices, and Cautions



**NOTE:** A NOTE indicates important information that helps you make better use of your computer.



**NOTICE:** A NOTICE indicates either potential damage to hardware or loss of data and tells you how to avoid the problem.



**CAUTION:** A CAUTION indicates a potential for property damage, personal injury, or death.

---

**Information in this document is subject to change without notice.**

**© 2007 Dell Inc. All rights reserved.**

Reproduction in any manner whatsoever without the written permission of Dell Inc. is strictly forbidden.

Trademarks used in this text: *Dell*, the *DELL* logo, and *PowerVault*, are trademarks of Dell Inc.; *Intel Core* and *Core 2 Duo* are trademarks and *Intel*, *Pentium* and *Xeon* are registered trademarks of Intel Corporation in the U.S. and other countries; *Microsoft*, *Windows*, and *Windows Storage Server* are either trademarks or registered trademarks of Microsoft Corporation in the United States and/or other countries.

Other trademarks and trade names may be used in this document to refer to either the entities claiming the marks and names or their products. Dell Inc. disclaims any proprietary interest in trademarks and trade names other than its own.

Model MVT01

September 2007

P/N CX202

Rev. A00

# Contents

<b>System Features</b> . . . . .	<b>5</b>
<b>Supported Operating Systems</b> . . . . .	<b>7</b>
<b>Other Information You May Need</b> . . . . .	<b>7</b>
<b>Obtaining Technical Assistance</b> . . . . .	<b>7</b>
<b>Installation and Configuration</b> . . . . .	<b>8</b>
Unpacking the System . . . . .	8
Installing the Rails and System in a Rack . . . . .	9
Connecting the Keyboard, Mouse, and Monitor . . . . .	10
Connecting the Power . . . . .	10
Installing the Power Cord Retention Bracket . . . . .	11
Turning on the System . . . . .	11
Installing the Bezel . . . . .	12
<b>Complete the Operating System Setup</b> . . . . .	<b>12</b>
<b>Technical Specifications</b> . . . . .	<b>12</b>
Index . . . . .	17



# System Features

The major hardware and software features of your system include:

- One or two Dual-Core Intel® Xeon® Processors 5000 Sequence.
- Support for symmetric multiprocessing (SMP), which is available on systems with two Intel Xeon processors. SMP greatly improves overall system performance by dividing processor operations between independent processors. To take advantage of this feature, you must use an operating system that supports multiprocessing.



**NOTE:** If you decide to upgrade your system by installing a second processor, you must order the processor upgrade kits from your supplier. Not all versions of the Intel Xeon processor will work properly as additional processors. The upgrade kit contains the correct version of the processor, heat sink, and fan as well as the instructions for performing the upgrade.

- A minimum of 512 MB of 533 or 667 MHz (when available), Fully Buffered DIMMs (FBD), upgradable to a maximum of 48 GB by installing combinations of 256-MB, 512-MB, 1-GB, 2-GB, or 4-GB memory modules in the twelve memory module sockets on the system board.

The system also features redundant memory, which provides memory sparing or memory mirroring. Either feature is available if eight or twelve identical memory modules are installed.

- Support for up to ten 3.5-inch, internal hot-pluggable Serial-Attached SCSI (SAS) or SATA hard drives (eight 3.5-inch internal hard drives with hot-pluggable backplane board, and support for two additional hot-pluggable 3.5-inch drives in the peripheral bay using the optional 1x2 flexbay backplane board).
- Peripheral bay provides support for an optional optical drive and an optional half-height tape backup unit (TBU). A full-height TBU is supported with the 1x2 flexbay bracket removed.
- An optional single, 1.44-MB, 3.5-inch diskette drive.
- An optional CD, DVD, or combination CD-RW/DVD drive.



**NOTE:** DVD devices are data only.

- An intrusion switch that signals the appropriate systems management software if the top cover is opened.
- Up to two hot-pluggable, 930-W power supplies in a 1 + 1 redundant configuration.
- Six hot-pluggable system cooling fans.

The system board includes the following features:

- Six PCI slots located in an expansion-card cage. Slots 1 and 2 are 3.3-V, 64-bit, 133-MHz PCI-X slots; slot 3 is a 3.3-V, PCIe x8 lane; slots 4 through 6 are 3.3-V, PCIe x4 lanes. Expansion-card slots accommodate full-height, full-length expansion cards. PCIe slots accommodate up to x8 expansion cards.
- Dedicated PCI slot for an integrated SAS host bus adapter or an optional integrated RAID controller card with 256 MB of cache memory and a RAID battery.



**NOTE:** System boot is not supported from an external device attached to a SAS or SCSI adapter, including SAS 5/E, PERC 5/E, or PERC 4e/DC. Contact your technical support provider for the latest support information about booting from external devices.

- Two integrated Gigabit Ethernet NICs, capable of supporting 10-Mbps, 100-Mbps, and 1000-Mbps data rates.
- Six USB 2.0-compliant connectors (two on the front and four on the back) capable of supporting a diskette drive, a CD-ROM or DVD-ROM drive, a keyboard, a mouse, or a USB flash drive.
- Optional remote access controller (RAC) for remote systems management.
- An integrated VGA-compatible video subsystem with an ATI ES1000, 33-MHz PCI video controller. This video subsystem contains 16 MB of DDR SDRAM video memory (nonupgradable). Maximum resolution is 1600 x 1200 with 64 K colors; true-color graphics are supported in the following resolutions: 640 x 480, 800 x 600, 1024 x 768, 1152 x 864, and 1280 x 1024. When the optional RAC is installed, the video resolution is 1024 X 768.
- Systems management circuitry that monitors operation of the system fans as well as critical system voltages and temperatures. The systems management circuitry works in conjunction with the systems management software.
- Standard baseboard management controller with serial access.
- Back-panel connectors include one serial, one video, four USB, and two NIC connectors.




- Front-panel connectors include a video and two USB connectors.
- Front-panel 1x5 LCD for system ID and error messaging.
- System ID button on the front and back panels.

For more information about specific features, see "Technical Specifications" on page 12.

## Supported Operating Systems

- Microsoft® Windows Storage Server™ 2003 R2 Express Edition (x64)
- Microsoft Windows Storage Server 2003 R2 Workgroup Edition (x64)

## Other Information You May Need

 **CAUTION: The *Product Information Guide* provides important safety and regulatory information. Warranty information may be included within this document or as a separate document.**

- The *Rack Installation Instructions* or *Rack Installation Guide* included with your rack solution describes how to install your system into a rack.
- The *Hardware Owner's Manual* provides information about system features and describes how to troubleshoot the system and install or replace system components. The *Hardware Owner's Manual* is available on the CDs that came with your system or from your technical provider.
- CDs included with your system provide documentation and tools for configuring and managing your system.
- Release notes or readme files may be included to provide last-minute updates to the system or documentation or advanced technical reference material intended for experienced users or technicians.

## Obtaining Technical Assistance

If you do not understand a procedure in this guide or if the system does not perform as expected, see your *Hardware Owner's Manual*.

# Installation and Configuration

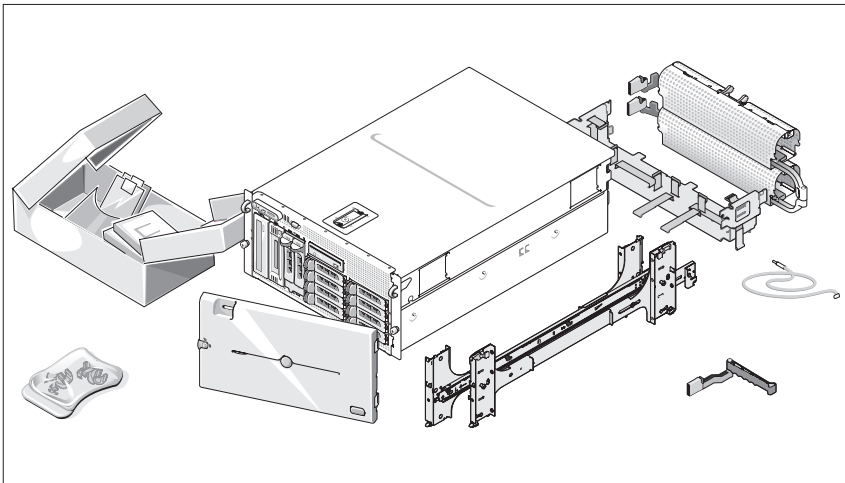
**⚠ CAUTION:** Before performing the following procedure, read and follow the safety instructions and important regulatory information in your *Product Information Guide*.

This section describes the steps to set up your system for the first time. The illustrations that follow show a rack-mounted system, but the installation procedure applies in large part to a stand-alone tower system. In place of the rack installation in step 2, refer to the documentation included with your system on installing the stabilizer feet on your system.

**⚠ CAUTION:** Installing the feet on a stand-alone tower system is necessary to provide a stable foundation for the system. Failure to install the feet poses the risk of having the system tip over, possibly causing bodily injury or damage to the system.

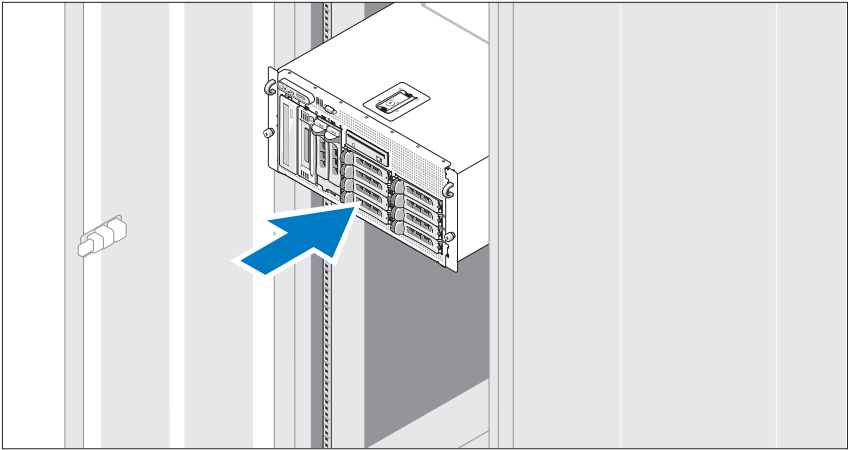
**⚠ CAUTION:** Whenever you need to lift the system, get others to assist you. To avoid injury, do not attempt to lift the system by yourself.

## Unpacking the System



- 1** Unpack your system and identify each item.  
Keep all shipping materials in case you need them later.

## Installing the Rails and System in a Rack

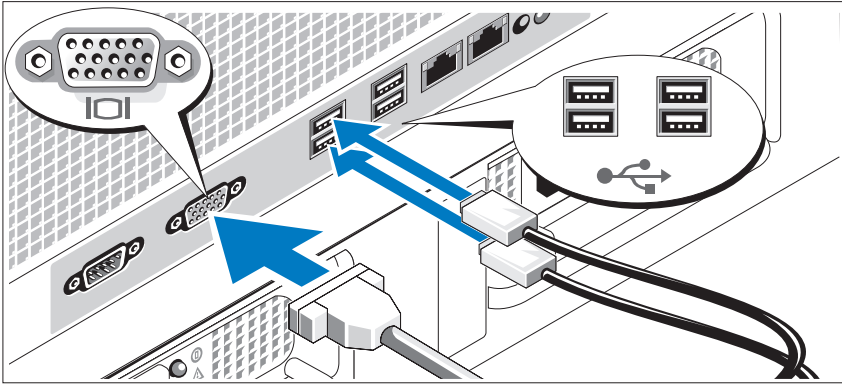


- 2** Once you have read the "Safety Instructions" located in the rack installation documentation for your system, install the rails and the system in the rack.

See your rack installation documentation for instructions on installing your system in a rack.

For a tower system, see the documentation included with your system on installing the system stabilizer feet.

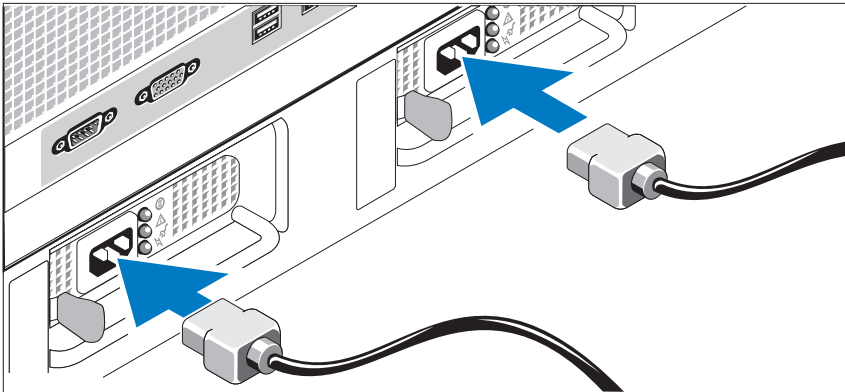
## Connecting the Keyboard, Mouse, and Monitor



- 3 Connect the keyboard, mouse, and monitor (optional).

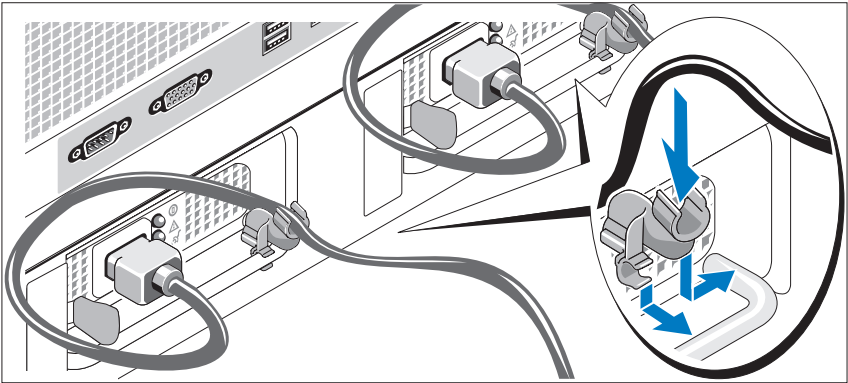
The connectors on the back of your system have icons indicating which cable to plug into each connector. Be sure to tighten the screws (if any) on the monitor's cable connector.

## Connecting the Power



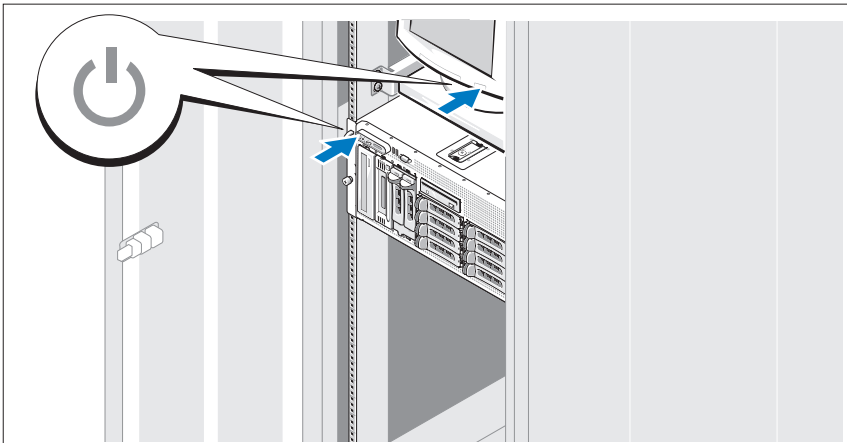
- 4 Connect the system's power cable(s) to the system.
- 5 Plug the other end of the cable into a grounded electrical outlet or a separate power source such as an uninterruptible power supply (UPS) or a power distribution unit (PDU).

## Installing the Power Cord Retention Bracket



- 6 Attach the power cord retention bracket on the right bend of the power supply handle. Bend the system power cable into a loop as shown in the illustration and attach to the bracket's cable clasp. Repeat the procedure for the second power supply.

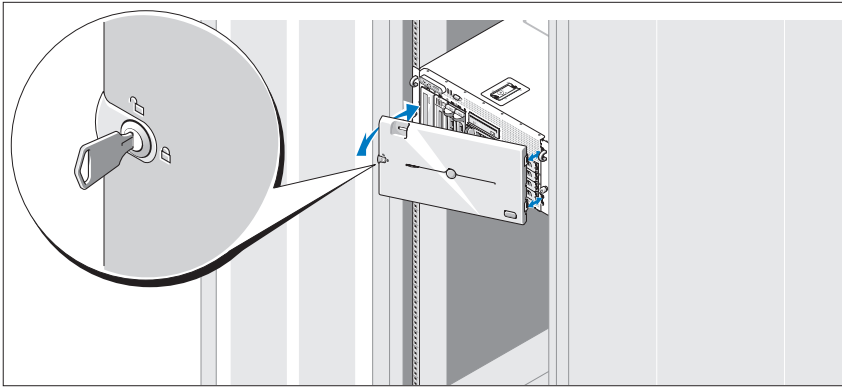
## Turning on the System



- 7 Turn on the system and monitor (optional).

Press the power button on the system and the monitor. The power indicators should light. Adjust the monitor's controls until the displayed image is satisfactory.

## Installing the Bezel



- 8 Install the bezel (optional).

## Complete the Operating System Setup

If you purchased a preinstalled operating system, see the operating system documentation that ships with your system. To install an operating system for the first time, see the *Quick Installation Guide*. Be sure the operating system is installed before installing hardware or software not purchased with the system.

## Technical Specifications

---

### Processor

---

Processor type	One or two Dual-Core Intel Xeon Processors 5000 Sequence
----------------	--

---

### Expansion Bus

---

Bus type	PCI, PCI-X, PCIe
Expansion slots	
PCI-X	two full-height, full-length 3.3-V, 64-bit, 133-MHz (slots 1 and 2)
PCIe	one x8 lane, 3.3-V (slot 3) three x4 lanes, 3.3-V (slots 4 through 6)

---

## Memory

---

Architecture	533 or 667 MHz (when available) Fully Buffered DIMMs (FBD)
Memory module sockets	twelve 240-pin
Memory module capacities	256 MB, 512 MB, 1 GB, 2 GB, or 4 GB
Minimum RAM	512 MB (two 256-MB module)
Maximum RAM	48 GB

---

## Drives

---

Hard drives	up to ten 3.5-inch, internal, hot-plug SAS or SATA <ul style="list-style-type: none"><li>• eight drives in the internal drive bay</li><li>• two drives in the optional 1x2 flexbay backplane expansion</li></ul>
Diskette drive	one optional 3.5-inch, 1.44-MB external optional USB 3.5-inch, 1.44-MB
Optical drive	one optional CD, DVD, or combination CD-RW/DVD <b>NOTE:</b> DVD devices are data only. external optional USB CD-ROM external optional USB DVD-ROM
Flash drive	external optional USB

---

## Connectors

---

### Back

NIC	Two TOE-capable RJ-45 (for integrated 1-GB NICs)
Serial	9-pin, DTE, 16550-compatible
USB	Four 4-pin, USB 2.0-compliant
Video	15-pin VGA

---

**Connectors** *(continued)*

---

**Front**

Video	15-pin VGA
USB	Two 4-pin, USB 2.0-compliant

---

**Video**

Video type	ATI ES1000 video controller; VGA connectors
Video memory	16 MB of DDR SDRAM

---

**Power****AC power supply (per power supply)**

Wattage	930 W
Voltage	90–264 VAC, autoranging, 47–63 Hz
Heat dissipation	2697 BTU/hr maximum
Maximum inrush current	Under typical line conditions and over the entire system ambient operating range, the inrush current may reach 55 A per power supply for 10 ms or less

**Batteries**

System battery	CR 2032 3.0-V lithium ion coin cell
RAID battery (optional)	4.1-V lithium ion

---

**Physical****Rack**

Height	21.77 cm (8.57 in)
Width	44.27 cm (17.43 in) chassis only 48.27 cm (19 in) with rack flanges
Depth	66.13 cm (26.04 in) does not include control panel or bezel; control panel adds an additional 1.3 cm (.51 in)
Weight (maximum configuration)	45.36 kg (100 lb)



---

**Physical** *(continued)*

---

**Tower (without bezel)**

Height	47.89 cm (18.85 in) with feet, no casters
Width	22.66 cm (8.92 in)
Depth	66.13 cm (26.04 in) does not include control panel or bezel; control panel adds an additional 1.3 cm (.51 in)
Weight (maximum configuration)	49.9 kg (110 lb)

---

**Environmental**

---

**NOTE:** For additional information about environmental measurements for specific system configurations, contact your technical support provider.

**Temperature**

Operating	10° to 35°C (50° to 95°F)
Storage	-40° to 65°C (-40° to 149°F)

**Relative humidity**

Operating	20% to 80% (noncondensing) with a maximum humidity gradation of 10% per hour
Storage	5% to 95% (noncondensing)

**Maximum vibration**

Operating	0.26 G from 5–350Hz for 2 min in the Z axis
Storage	1.54 G from 10–250 Hz for 15 min in all orientations

**Maximum shock**

Operating	One shock pulse in the positive z axis (one pulse on each side of the system) of 41 G for up to 2 ms
Storage	Six consecutively executed shock pulses in the positive and negative x, y, and z axes (one pulse on each side of the system) of 71 G for up to 2 ms

**Altitude**

Operating	-16 to 3048 m (-50 to 10,000 ft)
Storage	-16 to 10,600 m (-50 to 35,000 ft)

---



# Index

## C

combination CD-RW/DVD, 5

## E

expansion-card cage, 6

## I

installation and configuration, 8

integrated RAID controller, 6

## M

memory, 5

interleaving, 5

## N

NICs, 6

## P

processors, 5

## R

remote access controller

remote systems management, 6

remote access controller card, 6

remote systems management

remote access controller card, 6

## S

supported Operating Systems, 7

symmetric multiprocessing  
(SMP), 5

system features, 5

CD drive, 5

diskette drive, 5

DVD drive, 5

memory, 5

NICs, 6

power supply, 5

processors, 5

remote access controller card, 6

symmetric multiprocessing  
(SMP), 5

USB, 6

video controller, 6

## **T**

technical assistance, 7

technical specifications, 12

## **V**

video controller, 6




Systemy Dell™  
PowerVault™ 600

Začínáme  
se systémem

Model MVT01



# Poznámky, upozornění a varování

-  **POZNÁMKA:** POZNÁMKA označuje důležitou informaci, s jejíž pomocí lépe využijete svůj počítač.
-  **UPOZORNĚNÍ:** UPOZORNĚNÍ poukazuje na možnost poškození hardwaru nebo ztráty dat a poskytuje návod, jak se danému problému vyhnout.
-  **POZOR: VAROVÁNÍ** označuje hrozící nebezpečí poškození majetku, poranění nebo usmrcení osob.

---

**Informace obsažené v tomto dokumentu podléhají změnám bez předchozího upozornění.**  
© 2007 Dell Inc. Všechna práva vyhrazena.

Reprodukce jakýmkoli způsobem bez písemného povolení společnosti Dell Inc. je přísně zakázána.

Ochranné známky použité v tomto textu: *Dell*, logo *DELL* a *PowerVault* jsou ochranné známky společnosti Dell Inc. *Intel Core* a *Core 2 Duo* jsou ochranné známky a *Intel*, *Pentium* a *Xeon* jsou registrované ochranné známky společnosti Intel Corporation v USA a dalších zemích. *Microsoft*, *Windows* a *Windows Storage Server* jsou ochranné známky nebo registrované ochranné známky společnosti Microsoft Corporation v USA a dalších zemích.

V tomto dokumentu mohou být použity další ochranné známky a obchodní názvy buď s odkazem na právnické osoby a organizace, které uplatňují na dané ochranné známky a obchodní názvy nárok, nebo s odkazem na jejich výrobky. Společnost Dell Inc. se zřiká jakýchkoli vlastnických zájmů o jiné než vlastní ochranné známky a obchodní názvy.

Model MVT01

Září 2007

Č. dílu CX202

Rev. A00

# Obsah

<b>Systémové funkce . . . . .</b>	<b>23</b>
<b>Podporované operační systémy . . . . .</b>	<b>25</b>
<b>Další užitečné informace . . . . .</b>	<b>25</b>
<b>Odborná pomoc . . . . .</b>	<b>26</b>
<b>Instalace a konfigurace . . . . .</b>	<b>26</b>
Rozbalení systému. . . . .	27
Instalace kolejničků a systému do stojanu . . . . .	28
Připojení klávesnice, myši a monitoru . . . . .	29
Připojení ke zdroji napětí . . . . .	29
Instalace retenční svorky napájecího kabelu . . . . .	30
Zapnutí systému . . . . .	30
Instalace čelního krytu. . . . .	31
<b>Dokončení nastavení operačního systému . . .</b>	<b>31</b>
<b>Technické specifikace . . . . .</b>	<b>32</b>
<b>Rejstřík . . . . .</b>	<b>37</b>





# Systemové funkce

Hlavní hardwarové a softwarové funkce systému jsou:

- Jeden nebo dva dvoujádrové procesory řady Intel® Xeon® 5000.
- Podpora SMP (symmetric multiprocessing), která je k dispozici u systémů se dvěma procesory Intel Xeon. SMP výrazně zvyšuje celkový výkon systému rozdělením procesorových operací mezi nezávislé procesory. Chcete-li tuto funkci využít, je třeba použít operační systém podporující SMP.



**POZNÁMKA:** Jestliže se rozhodnete pro upgrade systému instalací druhého procesoru, objednejte od svého dodavatele sadu pro upgrade procesoru. Ne všechny verze procesorů Intel Xeon jsou na pozici druhého procesoru plně funkční. Sada pro upgrade obsahuje správnou verzi procesoru, chladič a ventilátor, jakož i pokyny k provedení upgradu.

- Minimálně 512 MB paměti v paměťových modulech FBD (Fully Buffered DIMM) s frekvencí 533 nebo 667 MHz (je-li k dispozici). Paměť lze rozšířit až na 48 GB instalací příslušných kombinací paměťových modulů o velikostech 256 MB, 512 MB, 1 GB, 2 GB nebo 4 GB do dvanácti slotů na systémové desce.

System pracuje i s redundantní pamětí, která umožňuje nahrazení a zrcadlení paměti. Tyto dvě funkce jsou k dispozici v případě, že je nainstalováno osm nebo dvanáct identických paměťových modulů.

- Podpora až deseti 3,5palcových pevných disků SAS (Serial-Attached SCSI) nebo SATA připojitelných za provozu (osm interních 3,5palcových pevných disků na desce zadní plochy, která podporuje připojení za provozu, a podpora dvou dalších 3,5palcových disků připojitelných za provozu v pozici pro periferní zařízení s použitím volitelné desky zadní plochy 1x2 flexbay).
- Pozice pro periferní zařízení poskytuje podporu pro volitelnou optickou jednotku a volitelné páskové zálohovací zařízení s poloviční výškou. Páskové zálohovací zařízení je možné instalovat v případě, že je demontován držák pozice 1x2 flexbay.
- Volitelná jedna 3,5palcová disketová jednotka 1,44 MB.
- Volitelná jednotka CD či DVD nebo kombinovaná jednotka CD-RW/DVD.



**POZNÁMKA:** Zařízení DVD jsou určena pouze pro data.

- Spínač při vniknutí, který předává příslušnému softwaru systémové správy signál v případě, že dojde k otevření horního krytu.
- Až dva napájecí zdroje 930 W připojitelné za provozu v konfiguraci 1 + 1 záložní.
- Šest chladicích ventilátorů připojitelných za provozu.

Systémová deska má následující funkce:

- Šest slotů PCI umístěných v ochranné kleci pro rozšiřovací karty. Sloty 1 a 2 jsou sloty PCI-X 3,3 V, 64 bitů, 133 MHz. Slot 3 je osmilinkový (x8 lane) slot PCIe 3,3 V. Sloty 4 až 6 jsou čtyřlinkové (x4 lane) sloty PCIe 3,3 V. Do slotů pro rozšiřovací karty je možné instalovat rozšiřovací karty s plnou výškou a délkou. Do slotů PCIe je možné instalovat rozšiřovací karty až x8.
- Vyhrazený slot PCI pro integrovaný adaptér hostitelské sběrnice SAS nebo volitelnou integrovanou kartu řadiče RAID s 256 MB mezipaměti a baterií RAID.



**POZNÁMKA:** Spouštění systému není podporováno z externího zařízení připojeného k adaptéru SAS nebo SCSI, včetně SAS 5/E, PERC 5/E nebo PERC 4e/DC. Aktuální informace o podpoře spouštění systému z externích zařízení získáte od svého poskytovatele technické podpory.

- Dvě integrované síťové karty Gigabit Ethernet podporující datové přenosy rychlostí 10 Mb/s, 100 Mb/s a 1000 Mb/s.
- Šest konektorů USB 2.0 (dva na přední a čtyři na zadní straně), které podporují disketovou jednotku, jednotku CD-ROM nebo DVD-ROM, klávesnici, myš nebo jednotku USB flash.
- Volitelný ovladač pro vzdálený přístup (RAC) umožňující vzdálenou správu systému.
- Integrovaný grafický subsystém VGA s grafickou kartou ATI ES1000, 33 MHz PCI. Tento grafický subsystém disponuje 16 MB grafické paměti DDR SDRAM (bez možnosti rozšíření). Maximální rozlišení je 1600 x 1200 bodů při 64 tisících barev. Zobrazení true color je podporováno v následujících rozlišeních: 640 x 480, 800 x 600, 1024 x 768, 1152 x 864 a 1280 x 1024. Je-li nainstalována volitelná karta ovladače pro vzdálený přístup (RAC), je grafické rozlišení 1024 x 768.


- Okruhy systémové správy monitorující funkci systémových ventilátorů a kritická napětí a teploty v systému. Okruhy systémové správy spolupracují se softwarem systémové správy.
- Standardní ovladač BMC (baseboard management controller) se sériovým přístupem.
- Konektory na zadním panelu: jeden sériový, jeden pro video, čtyři USB a dva síťové.
- Konektory na předním panelu: video a dva USB.
- Displej LCD 1 x 5 palců na předním panelu pro zobrazení systémového ID a chybových hlášení.
- Tlačítko systémového ID na předním a zadním panelu.

Další informace o specifických funkcích najdete v části „Technické specifikace“ na straně 32.

## Podporované operační systémy

- Microsoft® Windows Storage Server™ 2003 R2 Express Edition (x64)
- Microsoft Windows Storage Server 2003 R2 Workgroup Edition (x64)

## Další užitečné informace


 **POZOR: Informační příručka produktu obsahuje důležité bezpečnostní a právní informace. Informace o záruce je součástí tohoto dokumentu nebo je přiložena samostatně.**

- *Pokyny k instalaci do stojanu* nebo *Příručka k instalaci do stojanu* dodávané se stojanovým systémem popisují instalaci systému do stojanu.
- *Příručka majitele hardwaru* obsahuje informace o funkcích systému a popisuje řešení problémů se systémem a instalaci nebo výměnu systémových komponent. *Příručka majitele hardwaru* je k dispozici na CD dodaném se systémem nebo ji získáte od poskytovatele technické podpory.
- Disky CD dodané se systémem obsahují dokumentaci a nástroje pro konfiguraci a správu systému.
- Součástí dodávky mohou být také poznámky k verzi nebo soubory readme, které obsahují poslední aktualizace k systému nebo dokumentaci, případně rozšířené technické materiály určené zkušeným uživatelům a technikům.


## Odborná pomoc


Nerozumíte-li některému z postupů popsaných v této příručce nebo nepracuje-li systém podle očekávání, nahlédněte do *Příručky majitele hardwaru*.

## Instalace a konfigurace

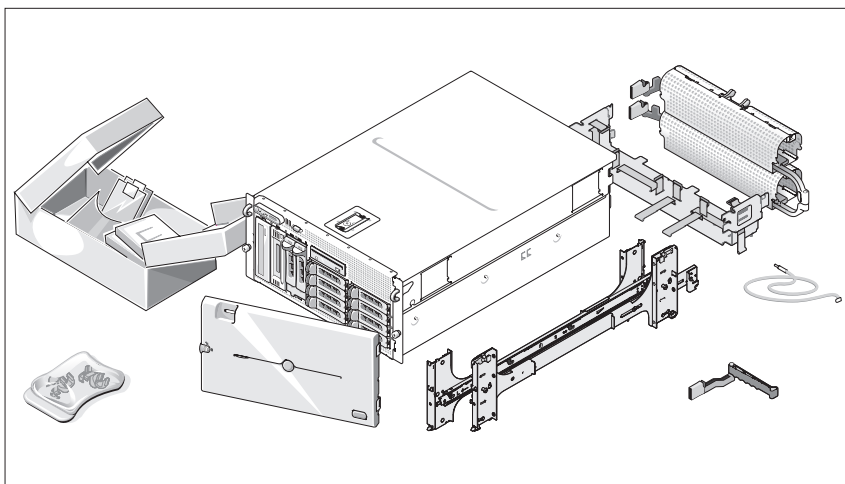
 **POZOR:** Před provedením následujícího postupu si přečtěte a postupujte podle bezpečnostních pokynů a důležitých předpisů uvedených v *Informační příručce produktu*.

V této části jsou popsány kroky, které je nutné provést při první instalaci systému. Následující obrázky znázorňují systém instalovaný do stojanu, postup instalace je však do značné míry platný i pro samostatně stojící systém v provedení tower. Namísto kroku 2, který popisuje instalaci do stojanu, nahlédněte do dokumentace dodané se systémem, ve které je popsán postup instalace stabilizačních noh.

 **POZOR:** Instalace stabilizačních noh je u samostatně stojícího systému v provedení tower nutná, protože jen tak lze zajistit stabilní základnu celého systému. Neprovedete-li instalaci stabilizačních noh, hrozí nebezpečí převrácení systému a následného zranění osob nebo poškození systému.

 **POZOR:** Při každém zvedání systému požádejte o asistenci. Systém nezvedejte sami, vyvarujete se tak možného zranění.

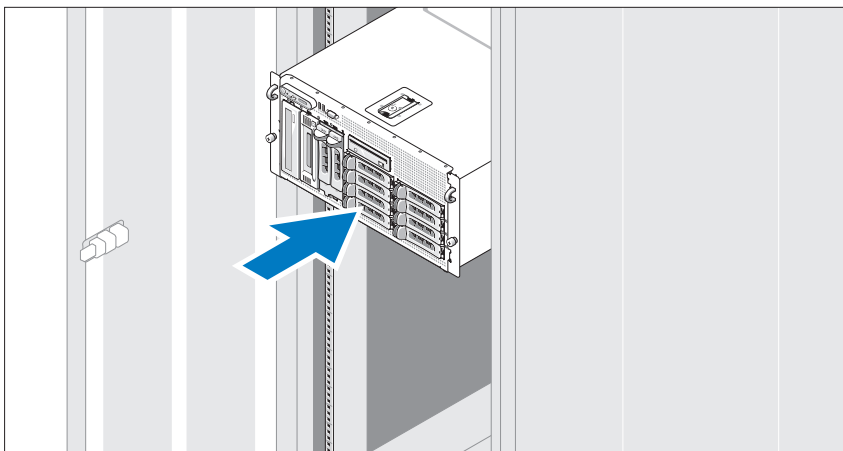
## Rozbalení systému



- 1 Rozbalte systém a identifikujte jeho jednotlivé součásti.

Veškerý obalový materiál uschovejte pro případ pozdější potřeby.

## Instalace kolejniček a systému do stojanu

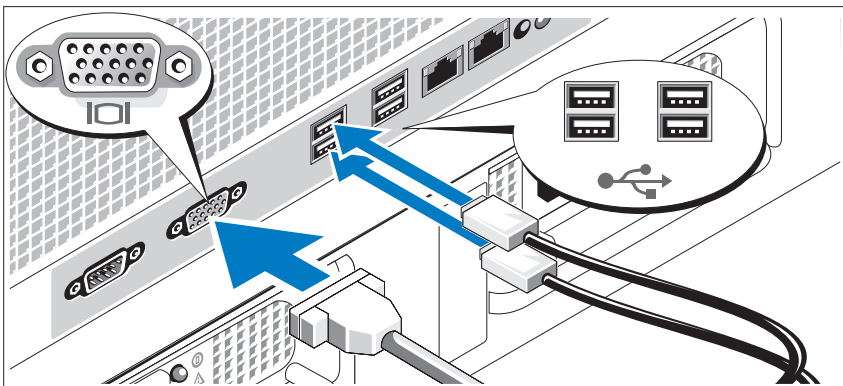


- 2 Nejprve si přečtete Bezpečnostní pokyny uvedené v dokumentaci k instalaci systému do stojanu a potom proved'te instalaci kolejniček a systému do stojanu.

Pokyny k instalaci systému do stojanu naleznete v dokumentaci k instalaci do stojanu.

U systému v provedení tower nahlédněte do dokumentace dodané se systémem, ve které jsou uvedeny pokyny k instalaci stabilizačních noh.

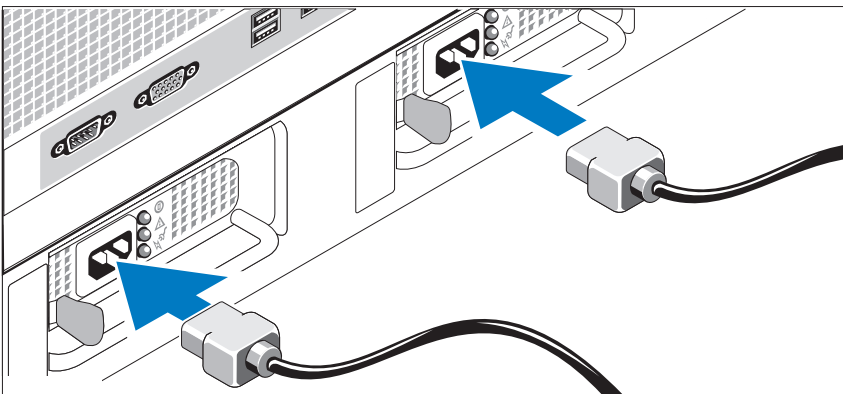
## Připojení klávesnice, myši a monitoru



- 3** Připojte klávesnici, myš a monitor (volitelný).

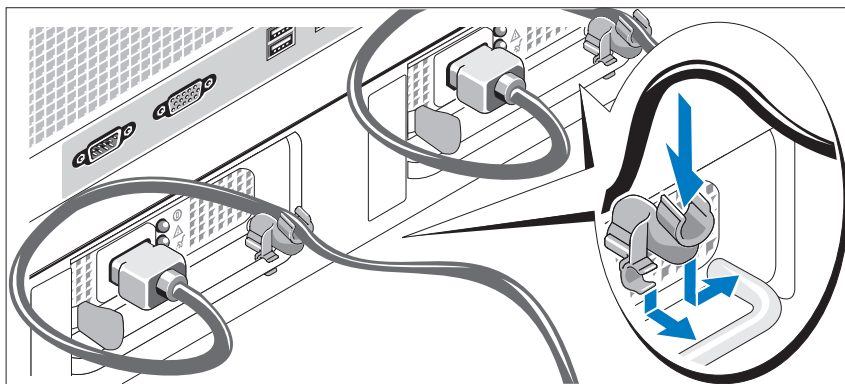
Konektory na zadní straně systému mají ikony znázorňující, který kabel má být připojen ke kterému konektoru. Zajistěte, aby šrouby na konektoru kabelu monitoru byly dobře dotaženy (je-li jimi konektor vybaven).

## Připojení ke zdroji napětí



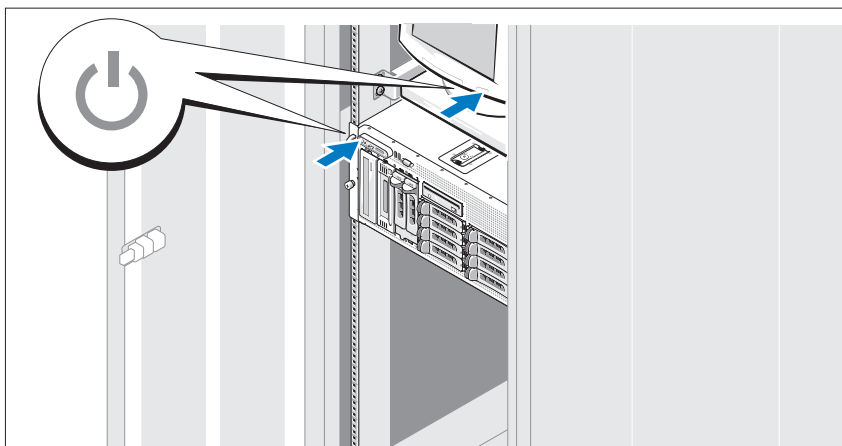
- 4** Připojte napájecí kabel(y) k systému.
- 5** Poté zasuňte druhý konec kabelu do uzemněné elektrické zásuvky nebo jej připojte k samostatnému zdroji napájení, například ke zdroji nepřerušitelného napájení (UPS) nebo jednotce rozvaděče (PDU).

## Instalace retenční svorky napájecího kabelu



- 6** Připevněte retenční svorku napájecího kabelu do pravého ohybu rukojeti napájecího zdroje. Napájecí kabel ohněte do tvaru oka, jak je znázorněno na obrázku, a připevněte ho do příslušného úchytu. Celý postup zopakujte u druhého napájecího kabelu.

## Zapnutí systému

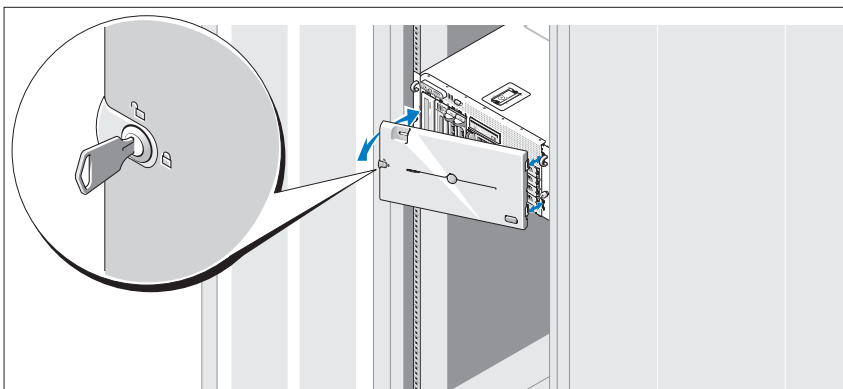


- 7** Zapněte systém a monitor (volitelný).

Stiskněte vypínač na systému a na monitoru. Kontrolky napájení by se měly rozsvítit. Upravte ovládací prvky monitoru tak, aby byl obraz uspokojivý.



## Instalace čelního krytu



- 8 Nainstalujte čelní kryt (volitelný).

## Dokončení nastavení operačního systému

Pokud jste zakoupili předinstalovaný operační systém, prostudujte dokumentaci k operačnímu systému dodanou se systémem. Pokyny k první instalaci operačního systému najdete v *Příručce rychlé instalace*. Než začnete s instalací hardwaru či softwaru, který nebyl zakoupen společně se systémem, ujistěte se, že je nainstalován operační systém.

# Technické specifikace

---

## Procesor

---

Typ procesoru	Jeden nebo dva dvoujádrové procesory řady Intel Xeon 5000
---------------	---

---

## Rozšiřovací sběrnice

---

Typ sběrnice	PCI, PCI-X, PCIe
--------------	------------------

---

## Rozšiřovací sloty

PCI-X	Dva s plnou výškou a plnou délkou, 3,3 V, 64 bitů, 133 MHz (sloty 1 a 2)
PCIe	Jeden x8 lane 3,3 V (slot 3) Tři x4 lane 3,3 V (sloty 4 až 6)

---

## Paměť

---

Architektura	533 nebo 667 MHz (je-li k dispozici) FBD (Fully Buffered DIMM)
Sloty pro paměťové moduly	Dvanáct 240kolíkových
Kapacity paměťových modulů	256 MB, 512 MB, 1 GB, 2 GB nebo 4 GB
Minimum paměti RAM	512 MB (dva moduly 256 MB)
Maximum paměti RAM	48 GB

---

## Disky

---

Pevné disky	Až deset 3,5palcových interních pevných disků SAS nebo SATA připojitelných za provozu <ul style="list-style-type: none"><li>• Osm disků v interní pozici pro disky</li><li>• Dva disky ve volitelném rozšíření desky zadní plochy 1x2 flexbay</li></ul>
Disketová jednotka	Jedna volitelná 3,5 palce, 1,44 MB Externí volitelná USB, 3,5 palce, 1,44 MB

---

## Disky (Pokračování)

---

Optická jednotka	Jedna volitelná jednotka CD či DVD nebo kombinovaná jednotka CD-RW/DVD <b>POZNÁMKA:</b> Zařízení DVD jsou určena pouze pro data. Externí volitelná jednotka USB CD-ROM Externí volitelná jednotka USB DVD-ROM
Jednotka flash	Externí volitelný disk USB

---

## Konektory

---

### Vzadu

Síťové	Dva RJ-45 s podporou funkce TOE (pro integrované síťové karty 1 GB)
Sériové	9kolíkový, DTE, kompatibilní s normou 16550
USB	Čtyři 4kolíkové, kompatibilní s normou USB 2.0
Grafika	15kolíkový konektor VGA

### Vpředu

Grafika	15kolíkový konektor VGA
USB	Dva 4kolíkové, kompatibilní s normou USB 2.0

---

## Grafika

---

Typ grafiky	Grafická karta ATI ES1000, konektory VGA
Grafická paměť	16 MB DDR SDRAM

---

## Napájení

---

### Střídavý proud (na jeden napájecí zdroj)

Výkon	930 W
Napětí	90–264 V, automatické přepínání rozsahu, 47–63 Hz
Odvod tepla	Maximálně 2697 BTU/hod.
Maximální nárazový proud	V typických podmínkách napájení a v celém provozním rozsahu systému může nárazový proud dosáhnout 55 A na jeden napájecí zdroj po dobu 10 ms nebo méně

### Baterie

Systémová baterie	Lithium-iontová knoflíková baterie CR 2032 3,0 V
Baterie RAID (volitelná)	Lithium-iontová baterie 4,1 V

---

## Rozměry

---

### Stojan

Výška	21,77 cm
Šířka	44,27 cm (pouze šasi) 48,27 cm (se stojanovými přírubami)
Hloubka	66,13 cm bez ovládacího panelu nebo čelního krytu, s ovládacím panelem o 1,3 cm více
Hmotnost (maximální konfigurace)	45,36 kg

### Systém v provedení tower (bez čelního krytu)

Výška	47,89 cm s nohama, bez patek
Šířka	22,66 cm
Hloubka	66,13 cm bez ovládacího panelu nebo čelního krytu, s ovládacím panelem o 1,3 cm více
Hmotnost (maximální konfigurace)	49,9 kg

---

## Prostředí

---

**POZNÁMKA:** Další informace o měřených údajích prostředí pro specifické systémové konfigurace získáte od svého poskytovatele technické podpory.

### Teplota

Provozní	10 až 35 °C
Skladovací	-40 ° až 65 °C

### Relativní vlhkost

Provozní	20 % až 80 % (bez kondenzace) s maximálním nárůstem vlhkosti o 10 % za hodinu
Skladovací	5 % až 95 % (bez kondenzace)

### Maximální vibrace

Provozní	0,26 G v rozmezí 5–350 Hz po dobu 2 minut v ose z
Skladovací	1,54 G v rozmezí 10–250 Hz po dobu 15 minut ve všech směrech

### Maximální ráz

Provozní	Jeden rázový impuls v kladné ose z (jeden impuls na každé straně systému) o síle 41 G v délce do 2 ms
Skladovací	Šest po sobě jdoucích rázových impulsů v kladné i záporné ose x, y, a z (jeden impuls na každé straně systému) o síle 71 G v délce do 2 ms

### Nadmořská výška

Provozní	-16 až 3048 m
Skladovací	-16 až 10 600 m

---



# Rejstřík

## G

grafická karta, 24

## I

instalace a konfigurace, 26

integrováný řadič RAID, 24

## K

karta ovladače pro vzdálený přístup, 24

kombinovaná jednotka CD-RW/DVD, 23

## O

odborná pomoc, 26

ochranná klec pro rozšiřovací karty, 24

ovladač pro vzdálený přístup  
vzdálená správa systému, 24

## P

paměť, 23

prokládání, 23

podporované operační systémy, 25

procesory, 23

## S

SMP (symmetric multiprocessing), 23

systemové funkce, 23

disketová jednotka, 23

grafická karta, 24

jednotka DVD, 23

jednotka CD, 23

karta ovladače pro vzdálený přístup, 24

napájecí zdroj, 24

paměť, 23

procesory, 23

SMP (symmetric multiprocessing), 23

síťové karty, 24

USB, 24

síťové karty, 24

## T

technické specifikace, 32

## V

vzdálená správa systému

karta ovladače pro vzdálený přístup, 24



Systèmes Dell™  
PowerVault™ 600

# Guide de mise en route

Modèle MVT01



# Remarques, avis et précautions



**REMARQUE** : Une REMARQUE indique des informations importantes qui vous aident à mieux utiliser votre ordinateur.



**AVIS** : Un AVIS vous avertit d'un risque de dommage matériel ou de perte de données et vous indique comment éviter le problème.



**PRÉCAUTION** : Une PRÉCAUTION indique un risque potentiel d'endommagement du matériel, de blessure corporelle ou de mort.

---

**Les informations contenues dans ce document peuvent être modifiées sans préavis.**

© 2007 Dell Inc. Tous droits réservés.

La reproduction de ce document de quelque manière que ce soit sans l'autorisation écrite de Dell Inc. est strictement interdite.

Marques utilisées dans ce document : *Dell*, le logo *DELL* et *PowerVault* sont des marques de Dell Inc. ; *Intel Core* et *Core 2 Duo* sont des marques de *Intel*, *Pentium* et *Xeon* sont des marques déposées de Intel Corporation aux Etats-Unis et dans d'autres pays ; *Microsoft*, *Windows* et *Windows Storage Server* sont des marques ou des marques déposées de Microsoft Corporation aux États-Unis et/ou dans d'autres pays.

Tous les autres noms de marques et marques commerciales utilisés dans ce document se rapportent aux sociétés propriétaires des marques et des noms de ces produits. Dell Inc. décline tout intérêt dans l'utilisation des marques déposées et des noms de marques ne lui appartenant pas.

Modèle MVT01

Septembre 2007

N/P CX202

Rév. A00

# Sommaire

<b>Caractéristiques du système</b> . . . . .	<b>43</b>
<b>Systèmes d'exploitation pris en charge.</b> . . . . .	<b>45</b>
<b>Autres informations utiles.</b> . . . . .	<b>45</b>
<b>Obtention d'une assistance technique</b> . . . . .	<b>46</b>
<b>Installation et configuration.</b> . . . . .	<b>46</b>
Déballage du système . . . . .	47
Installation des rails et du système dans un rack . . . . .	48
Connexion du clavier, de la souris et du moniteur . . . . .	49
Branchement des câbles d'alimentation. . . . .	49
Fixation du support du câble d'alimentation . . . . .	50
Mise sous tension du système . . . . .	50
Installation du cadre . . . . .	51
<b>Finalisation de l'installation du système d'exploitation</b> . . . . .	<b>51</b>
<b>Spécifications techniques.</b> . . . . .	<b>52</b>
 Index . . . . .	 <b>57</b>



# Caractéristiques du système

Les principales caractéristiques du système sur le plan matériel et logiciel sont les suivantes :

- Un ou deux processeurs double cœur Intel® Xeon® 5000.
- Prise en charge du SMP (Symmetric Multiprocessing [multi-traitement symétrique]), disponible sur les systèmes dotés de deux processeurs Intel Xeon. Le SMP améliore considérablement les performances du système en partageant les tâches des processeurs entre des processeurs indépendants. Pour utiliser cette fonctionnalité, vous devez utiliser un système d'exploitation prenant en charge le multi-traitement.



**REMARQUE :** Si vous décidez de mettre votre système à niveau en installant un second processeur, vous devez commander les kits de mise à niveau de processeur chez votre fournisseur. Certaines versions du processeur Intel Xeon ne fonctionnent pas correctement comme processeurs supplémentaires. Le kit de mise à niveau contient la version de processeur correcte, le dissipateur de chaleur et le ventilateur ainsi que les instructions de mise à niveau.

- Un minimum de 512 Mo sous forme de barrettes DIMM FBD (Fully Buffered DIMM), 533 à 667 MHz (selon disponibilité), extensibles à un maximum de 48 Go via l'installation de combinaisons de barrettes de 256 Mo, 512 Mo, 1 Go, 2 Go ou 4 Go dans les douze emplacements pour barrettes mémoire de la carte système.

Le système est également équipé d'une mémoire redondante, ce qui permet de bénéficier d'une réserve utilisée en cas de défaillance, ou d'une fonction de mise en miroir de la mémoire. Ces fonctions sont disponibles si huit ou douze des modules de mémoire installés sont identiques.

- Prise en charge possible de dix disques durs 3,5 pouces SAS ou SATA internes et enfichables à chaud (huit avec une carte de fond de panier enfichable à chaud, et deux lecteurs supplémentaires dans la baie de périphériques avec la carte de fond de panier FlexBay 1x2 en option).
- La baie de périphériques peut aussi recevoir les options suivantes : un lecteur optique et un périphérique de sauvegarde sur bande (TBU) de mi-hauteur. Une TBU pleine hauteur peut être installée si le support de la carte de fond de panier FlexBay 1x2 est retiré.
- Un lecteur de disquette de 1,44 Mo/3,5 pouces, en option.
- Un lecteur de CD ou de DVD ou un lecteur CD-RW/DVD (tous deux en option).



**REMARQUE :** Les périphériques DVD sont uniquement des périphériques de données.

- Un détecteur d'intrusion qui transmet une alerte au logiciel de gestion des systèmes approprié en cas d'ouverture du capot de l'ordinateur.
- Jusqu'à deux blocs d'alimentation de 930 W enfichables à chaud dans une configuration redondante 1 + 1.
- Six ventilateurs de refroidissement enfichables à chaud.

La carte système offre les caractéristiques suivantes :

- Six logements PCI situés dans un bâti de cartes d'extension. Logements 1 et 2 : PCI-X 64 bits à 3,3 V et 133 MHz. Logement 3 : PCIe x8 à 3,3 V. Logements 4 à 6 : PCIe x4 à 3,3 V. Les logements de cartes d'extension permettent d'installer des cartes d'extension pleine hauteur et pleine longueur. Le format maximal pris en charge par les logements PCIe pour les cartes d'extension est x8.
- Logement PCI réservé pour un adaptateur de bus hôte SAS intégré ou une carte contrôleur RAID intégrée en option avec mémoire cache de 256 Mo et pile RAID.



**REMARQUE** : Le démarrage du système à partir d'un périphérique externe connecté à une carte SAS ou SCSI n'est pas pris en charge (cartes SAS 5/E, PERC 5/E et PERC 4e/DC incluses). Adressez-vous à votre prestataire de support technique pour obtenir les informations les plus récentes concernant le démarrage à partir de périphériques externes.

- Deux cartes réseau Ethernet Gigabit intégrées, capables de prendre en charge des débits de données de 10, 100 et 1000 Mbps.
- Six connecteurs USB 2.0 (deux à l'avant et quatre à l'arrière) pour la connexion d'un périphérique externe (lecteur de disquette, de CD-ROM ou de DVD-ROM, clavier, souris ou lecteur flash USB).
- Un contrôleur d'accès à distance en option, pour la gestion de systèmes à distance.
- Un sous-système vidéo compatible VGA intégré avec un contrôleur vidéo PCI ATI ES1000 à 33 MHz. Ce sous-système contient 16 Mo de mémoire vidéo SDRAM DDR (non extensible). La définition maximale prise en charge est de 1600 x 1200 avec 64 000 couleurs. Les graphiques True-color sont pris en charge dans les définitions suivantes : 640 x 480, 800 x 600, 1024 x 768, 1152 x 864 et 1280 x 1024. Lorsque la carte d'accès à distance en option est installée, la définition vidéo est de 1024 x 768.

- Des circuits de gestion de systèmes qui surveillent le fonctionnement des ventilateurs, ainsi que les tensions et les températures critiques, des systèmes. Il fonctionne en collaboration avec le logiciel de gestion de systèmes.
- Un contrôleur BMC (contrôleur de gestion de la carte de base) standard avec accès série.
- Le panneau arrière contient un connecteur vidéo, un port série, quatre connecteurs USB et deux connecteurs de NIC.
- Les connecteurs du panneau avant comprennent un connecteur vidéo et deux connecteurs USB.
- Un écran LCD 1x5 sur le panneau avant, affichant l'ID du système et les messages d'erreur.
- Un bouton d'ID du système sur les panneaux avant et arrière.

Pour plus d'informations sur des caractéristiques spécifiques, voir “Spécifications techniques”, page 52.

## Systèmes d'exploitation pris en charge

- Microsoft® Windows Storage Server™ 2003 R2 Express Edition (x64)
- Microsoft Windows Storage Server 2003 R2 Workgroup Edition (x64)

## Autres informations utiles



**PRÉCAUTION : Le document *Product Information Guide* (Guide d'information sur le produit) contient d'importantes informations se rapportant à la sécurité et aux réglementations. Les informations sur la garantie se trouvent soit dans ce document, soit à part.**


- Le document *Instructions d'installation du rack* ou le *Guide d'installation du rack* fournis avec la solution rack décrivent l'installation du système.
- Le document *Hardware Owner's Manual* (Manuel du propriétaire) contient des informations sur les caractéristiques du système, ainsi que des instructions relatives au dépannage et à l'installation ou au remplacement de composants. Il se trouve sur les CD fournis avec le système ou obtenu auprès de votre support technique.

- Les CD fournis avec votre système contiennent des documents et des outils relatifs à la configuration et à la gestion du système.
- Des notes de version ou des fichiers lisez-moi (readme) sont parfois fournis ; ils contiennent des mises à jour de dernière minute apportées au système ou à la documentation, ou des documents de référence technique avancés destinés aux utilisateurs expérimentés ou aux techniciens.


## Obtention d'une assistance technique

Si vous ne comprenez pas une procédure décrite dans ce guide ou si le système ne réagit pas comme prévu, consultez le document *Hardware Owner's Manual* (Manuel du propriétaire).

## Installation et configuration

 **PRÉCAUTION : Avant d'exécuter la procédure suivante, lisez les consignes de sécurité et les informations importantes sur les réglementations figurant dans le *Guide d'informations sur le produit*. Veillez à les respecter scrupuleusement.**

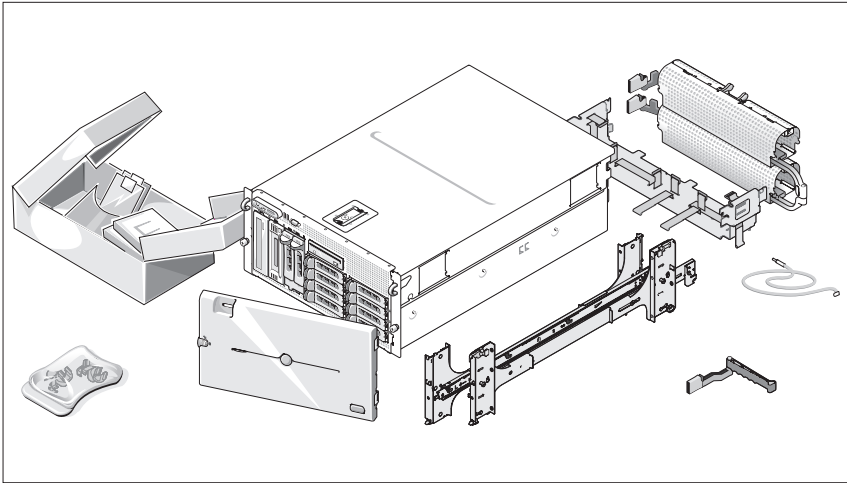
Cette section décrit les étapes à exécuter lors de la configuration initiale du système. Les illustrations suivantes représentent un système monté en rack, mais la majeure partie de la procédure s'applique aux systèmes autonomes configurés en tour. Au lieu de suivre les instructions d'installation en rack de l'étape 2, reportez-vous aux consignes de la documentation du système indiquant comment installer les pieds stabilisateurs.

 **PRÉCAUTION : L'installation des pieds stabilisateurs sur un système autonome configuré en tour est indispensable. Sinon, le système risque de basculer, ce qui pourrait entraîner des dommages matériels et occasionner des blessures corporelles.**

 **PRÉCAUTION : Demandez toujours de l'aide avant de soulever le système. N'essayez pas de le soulever seul car vous risqueriez de vous blesser.**

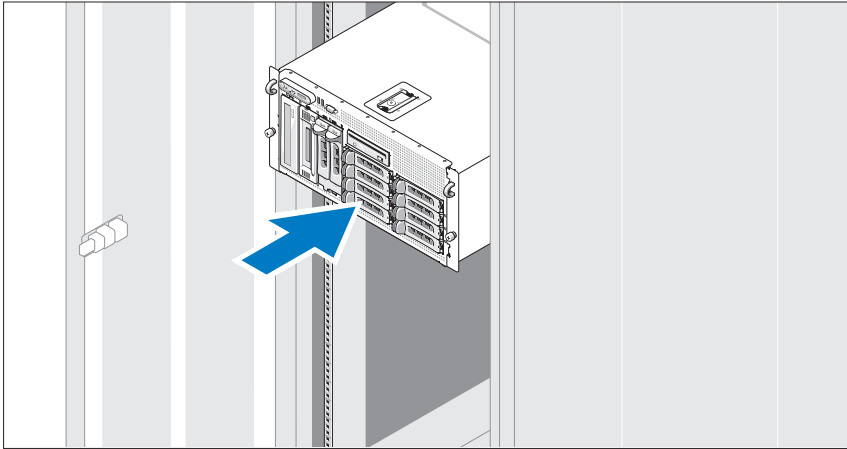


## Déballage du système



- 1 Sortez le système de son emballage et identifiez chaque élément.  
Conservez les matériaux d'emballage au cas où vous en auriez besoin ultérieurement.

## Installation des rails et du système dans un rack

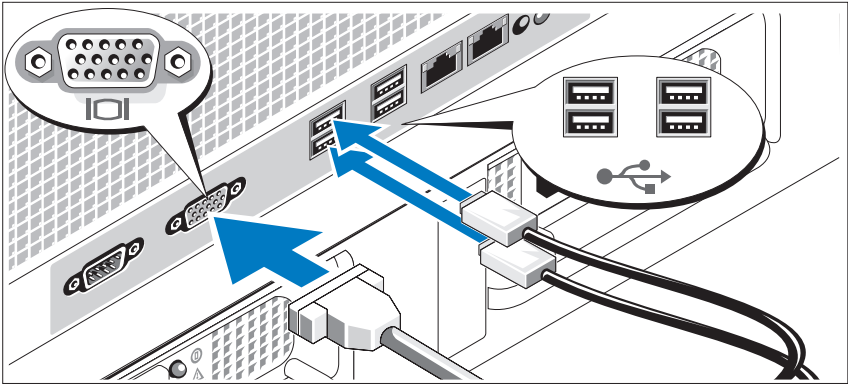


- 2 Commencez par lire les consignes de sécurité qui se trouvent dans la documentation d'installation du rack, puis installez les rails et le système dans le rack.

Consultez la documentation d'installation du rack pour obtenir les instructions appropriées.

Pour un système configuré en tour, consultez la documentation appropriée pour savoir comment installer les pieds stabilisateurs.

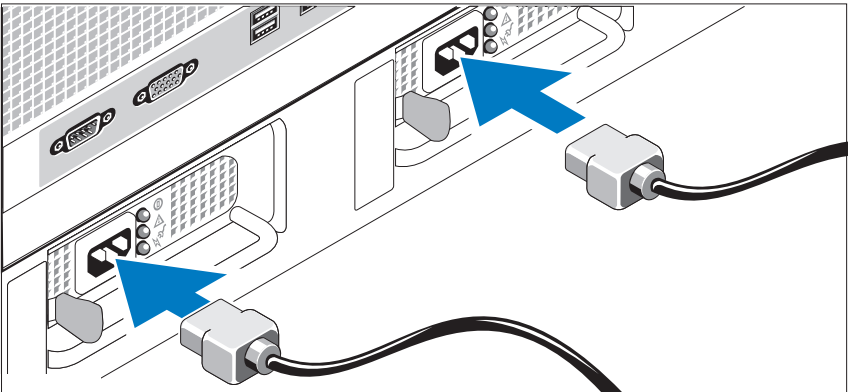
## Connexion du clavier, de la souris et du moniteur



- 3 Connectez le clavier, la souris et le moniteur (facultatif).

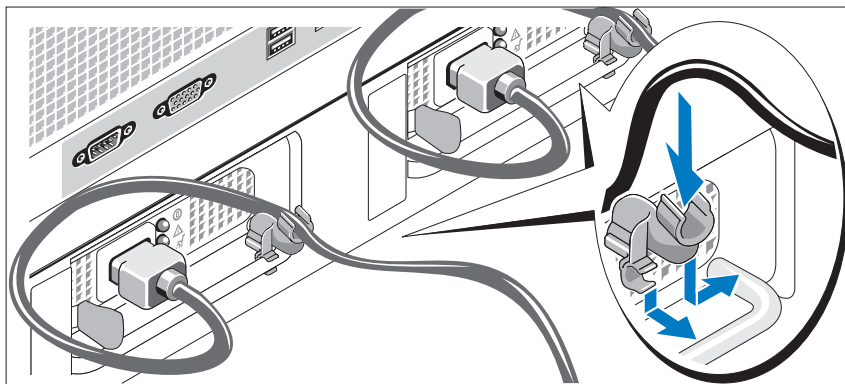
Utilisez les icônes des connecteurs situés à l'arrière du système pour savoir où insérer chaque câble. N'oubliez pas de serrer les vis situées sur le connecteur du câble du moniteur, s'il en est équipé.

## Branchement des câbles d'alimentation



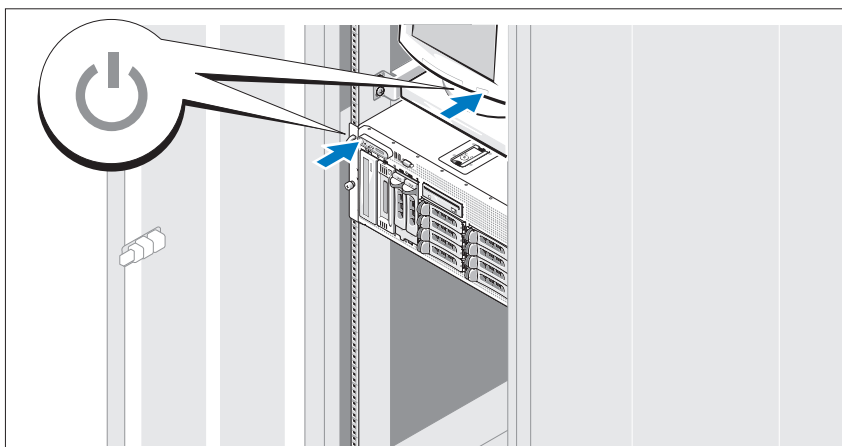
- 4 Branchez le(s) câble(s) d'alimentation sur le système.
- 5 Branchez ensuite l'autre extrémité du câble sur une prise de courant mise à la terre ou sur une source d'alimentation autonome (onduleur ou unité de distribution de l'alimentation).

## Fixation du support du câble d'alimentation



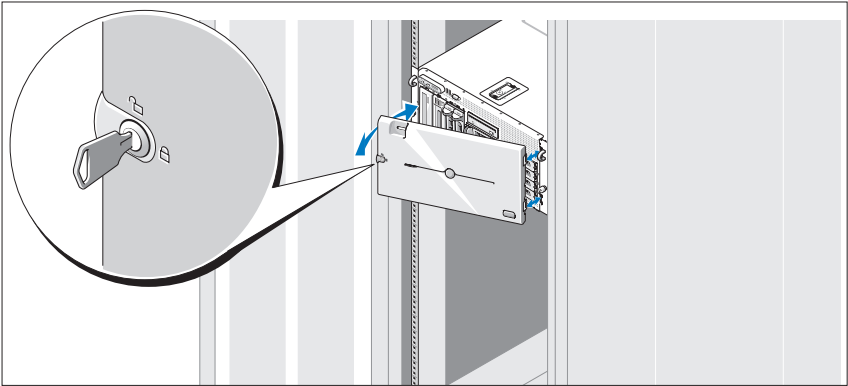
- 6 Fixez le support du câble sur la partie droite de la poignée du bloc d'alimentation. Faites une boucle comme indiqué dans l'illustration et insérez le câble d'alimentation dans le clip du support. Recommencez cette procédure pour le second bloc d'alimentation.

## Mise sous tension du système



- 7 Mettez le système sous tension, ainsi que le moniteur, si nécessaire.  
Appuyez sur le bouton d'alimentation du système et sur celui du moniteur. Les voyants d'alimentation doivent s'allumer. Réglez le moniteur jusqu'à ce que l'image soit correctement affichée.

## Installation du cadre



- 8 Installez le cadre (facultatif).

## Finalisation de l'installation du système d'exploitation

Si vous avez acheté un système d'exploitation préinstallé, consultez tout d'abord la documentation correspondante, qui vous a été fournie avec le système. Si vous installez un système d'exploitation pour la première fois, consultez le document *Quick Installation Guide* (Guide d'installation rapide). Veillez à installer le système d'exploitation avant tout élément matériel ou logiciel acheté séparément.

# Spécifications techniques

---

## Processeur

---

Type de processeur	Un ou deux processeurs double cœur Intel Xeon 5000
--------------------	---

---

## Bus d'extension

---

Type de bus	PCI, PCI-X, PCIe
-------------	------------------

### Logements d'extension

PCI-X	Les emplacements 1 et 2 peuvent accueillir deux cartes 64 bits, pleine hauteur, pleine longueur, fonctionnant à 3,3 V et cadencées à 133 MHz.
PCIe	Emplacement 3 : x8 / 3,3 V Emplacements 4, 5 et 6 : x4 / 3,3 V

---

## Mémoire

---

Architecture	Barrettes FB-DIMM (Fully Buffered DIMM) à 533 ou 667 MHz (selon disponibilité)
Supports de module de mémoire	Douze à 240 broches
Modules de mémoire compatibles	256 Mo, 512 Mo, 1 Go, 2 Go ou 4 Go
RAM minimale	512 Mo (deux modules de 256 Mo)
RAM maximale	48 Go

---

## Lecteurs

---

Disques durs	Jusqu'à dix disques durs internes SAS ou SATA de 3,5 pouces, enfichables à chaud <ul style="list-style-type: none"><li>• Huit disques dans la baie de lecteurs interne</li><li>• Deux disques dans l'extension de fond de panier FlexBay 1x2 (en option)</li></ul>
Lecteur de disquette	Un lecteur 3,5 pouces de 1,44 Mo en option Un lecteur USB externe 3,5 pouces de 1,44 Mo en option

---

**Lecteurs (Suite)**

---

Lecteur optique	Un lecteur de CD ou de DVD, ou un lecteur CD-RW/DVD (tous deux en option) <b>REMARQUE :</b> Les périphériques DVD sont uniquement des périphériques de données. Un lecteur de CD-ROM USB externe en option Un lecteur de DVD-ROM USB externe en option
Lecteur Flash	USB externe en option

---

**Connecteurs**

---

**À l'arrière**

NIC	Deux connecteurs RJ-45 compatibles TOE (pour NIC 1 Go intégrés)
Série	Connecteur DTE à 9 broches, compatible 16550
USB	Quatre connecteurs à 4 broches, compatibles USB 2.0
Vidéo	VGA, 15 broches

**À l'avant**

Vidéo	VGA, 15 broches
USB	Deux connecteurs à 4 broches, compatibles USB 2.0

---

**Vidéo**

---

Type de vidéo	Contrôleur vidéo ATI ES1000 ; connecteurs VGA
Mémoire vidéo	16 Mo, DDR SDRAM

---

## Alimentation

---

### Bloc d'alimentation CA (selon la tension en vigueur)

Puissance	930 W
Tension	90-264 VCA avec sélection automatique de la tension, 47-63 Hz
Dissipation thermique	2697 BTU/heure maximum
Appel de courant maximal	Dans des conditions de lignes typiques et dans toute la gamme ambiante de fonctionnement du système, l'appel de courant peut atteindre 55 A par bloc d'alimentation pendant un maximum de 10 ms.

### Piles

Pile du système	Pile bouton au lithium-ion CR 2032, de 3 V
Pile RAID (en option)	4,1 V au lithium-ion

---

## Caractéristiques physiques

---

### Rack

Hauteur	21,77 cm (8,57 pouces)
Largeur	44,27 cm (17,43 pouces) pour le châssis seul 48,27 cm (19 pouces) avec les collerettes du rack
Profondeur	66,13 cm (26,04 pouces) sans le panneau de commande et le cadre. Le panneau de commande ajoute 1,3 cm (0,51 pouce).
Poids (configuration maximale)	45,36 kg (100 livres)

### Tour (sans cadre)

Hauteur	47,89 cm (18,85 pouces) pieds compris, roulettes non installées
Largeur	22,66 cm (8,92 pouces)
Profondeur	66,13 cm (26,04 pouces) sans le panneau de commande et le cadre. Le panneau de commande ajoute 1,3 cm (0,51 pouce).
Poids (configuration maximale)	49,9 kg (110 livres)



---

## Caractéristiques d'exploitation

---

**REMARQUE :** Pour plus d'informations concernant les mesures d'exploitation liées à différentes configurations spécifiques, adressez-vous à votre prestataire de support technique.

### Température

En fonctionnement	De 10 à 35°C (50 à 95°F)
Stockage	De -40 à 65°C (-40 à 149°F)

### Humidité relative

En fonctionnement	De 20 % à 80 % (sans condensation) avec une gradation d'humidité maximale de 10 % par heure.
Stockage	De 5 % à 95 % (sans condensation)

### Tolérance maximale aux vibrations

En fonctionnement	0,26 G avec un balayage de 5 à 350 Hz pendant 2 minutes sur l'axe Z
En stockage	1,54 G avec un balayage de 10 à 250 Hz pendant 15 minutes (dans tous les sens)

### Choc maximal

En fonctionnement	Une impulsion de choc de 41 G pendant un maximum de 2 ms sur l'axe z positif (une impulsion de chaque côté du système)
En stockage	Six chocs consécutifs de 71 G pendant un maximum de 2 ms en positif et négatif sur les axes x, y et z (une impulsion de chaque côté du système)

### Altitude

En fonctionnement	De -16 à 3 048 m (-50 à 10 000 pieds)
En stockage	De -16 à 10 600 m (-50 à 35 000 pieds)

---



# Index

## A

Assistance technique, 46

## B

Bâti des cartes d'extension, 44

## C

Caractéristiques du système, 43  
  bloc d'alimentation, 44  
  carte contrôleur d'accès  
    à distance, 44  
  contrôleur vidéo, 44  
  lecteur de CD, 43  
  lecteur de disquette, 43  
  lecteur de DVD, 43  
  mémoire, 43  
  multi-traitement symétrique, 43  
  NIC, 44  
  processeurs, 43  
  USB, 44

Carte contrôleur d'accès  
  à distance, 44

Contrôleur d'accès à distance  
  gestion de systèmes à distance, 44

Contrôleur RAID intégré, 44

Contrôleur vidéo, 44

## G

Gestion de systèmes à distance  
  carte contrôleur d'accès  
    à distance, 44

## I

Installation et configuration, 46

## **L**

Lecteur CD-RW/DVD, 43

## **M**

Mémoire, 43

entrelacement, 43

Multi-traitement symétrique, 43

## **N**

NIC, 44

## **P**

Processeurs, 43

## **S**

Spécifications techniques, 52

Systemes d'exploitation  
pris en charge, 45

Dell™ PowerVault™  
600-Systeme

**Erste Schritte  
mit dem System**

Modell MVT01



# Anmerkungen, Hinweise und Vorsichtshinweise



**ANMERKUNG:** Eine ANMERKUNG macht auf wichtige Informationen aufmerksam, die die Arbeit mit dem Computer erleichtern.



**HINWEIS:** Ein HINWEIS warnt vor möglichen Beschädigungen der Hardware oder vor Datenverlust und zeigt auf, wie derartige Probleme vermieden werden können.



**VORSICHT:** Hiermit werden Sie auf eine potentiell gefährliche Situation hingewiesen, die zu **Sachschäden, Verletzungen oder zum Tod** führen könnte.

---

**Irrtümer und technische Änderungen vorbehalten.**

**© 2007 Dell Inc. Alle Rechte vorbehalten.**

Die Vervielfältigung oder Wiedergabe in jeglicher Weise ohne vorherige schriftliche Genehmigung von Dell sind strengstens untersagt.

In diesem Text verwendete Marken: *Dell*, das *DELL* Logo und *PowerVault* sind Marken von Dell Inc.; *Intel Core* und *Core 2 Duo* sind Marken und *Intel*, *Pentium* und *Xeon* sind eingetragene Marken von Intel Corporation in den USA und anderen Ländern; *Microsoft*, *Windows* und *Windows Storage Server* sind Marken oder eingetragene Marken von Microsoft Corporation in den USA und/oder anderen Ländern.

Alle anderen in dieser Dokumentation genannten Marken und Handelsbezeichnungen sind Eigentum der jeweiligen Hersteller und Firmen. Dell Inc. erhebt keinen Anspruch auf Besitzrechte an Marken und Handelsbezeichnungen mit Ausnahme der eigenen.

**Modell MVT01**

**September 2007**

**Teilnr. CX202**

**Rev. A00**

# Inhalt

<b>Systemmerkmale</b> . . . . .	<b>63</b>
<b>Unterstützte Betriebssysteme</b> . . . . .	<b>65</b>
<b>Weitere nützliche Informationen</b> . . . . .	<b>65</b>
<b>Technische Unterstützung</b> . . . . .	<b>66</b>
<b>Installation und Konfiguration</b> . . . . .	<b>66</b>
Auspacken des Systems . . . . .	67
Installation der Schienen und des Systems in einem Rack . . . . .	68
Anschließen von Tastatur, Maus und Bildschirm . . . . .	69
Anschließen der Stromversorgung . . . . .	69
Installation der Rückhalteklammer für das Netzstromkabel . . . . .	70
Einschalten des Systems . . . . .	70
Anbringen der Frontverkleidung . . . . .	71
<b>Einrichten des Betriebssystems</b> . . . . .	<b>71</b>
<b>Technische Daten</b> . . . . .	<b>72</b>
Stichwortverzeichnis . . . . .	79





# Systemmerkmale

Dies sind die wesentlichen Hardware- und Softwaremerkmale des Systems:

- Ein oder zwei Dual-Core Intel® Xeon®-Prozessoren 5000 Sequence
- Unterstützung für symmetrisches Multiprocessing (SMP) auf Systemen mit zwei Intel Xeon-Mikroprozessoren. SMP verbessert die Gesamtsystemleistung, indem Prozessoroperationen auf unabhängig voneinander arbeitende Prozessoren verteilt werden. Um diese Funktion zu nutzen, muss ein Betriebssystem verwendet werden, das Multiprocessing unterstützt.



**ANMERKUNG:** Für den Upgrade mit einem zweiten Systemprozessor benötigen Sie ein Prozessor-Upgrade-Kit von Ihrem Anbieter. Nicht alle Versionen des Intel Xeon-Prozessors können als zusätzliche Prozessoren verwendet werden. Upgrade-Kits enthalten die geeignete Prozessorversionen mit passenden Kühlkörpern und Lüftern sowie der Anleitung zur Installation.

- Mindestens 512 MB auf Fully-Buffered-DIMMs (FBD) mit 533 oder 667 MHz (sofern verfügbar), erweiterbar auf maximal 48 GB durch Installation von Kombinationen aus Speichermodulen mit 256 MB, 512 MB, 1 GB, 2 GB oder 4-GB in den zwölf Speichermodulsockeln auf der Systemplatine.

Das System ermöglicht auch die Verwendung von redundantem Speicher, und zwar als Memory-Sparing (Redundanz) oder Memory-Mirroring (Spiegelung). Beide Funktionen stehen zur Verfügung, wenn acht oder zwölf identische Speichermodule installiert sind.

- Unterstützung für bis zu zehn interne, hot-plug-fähige 3,5-Zoll-SAS (Serial-Attached SCSI) oder SATA-Festplatten (acht interne 3,5-Zoll-Festplatten mit hot-plug-fähiger Rückwandplatine und Unterstützung für zwei weitere hot-plug-fähige 3,5-Zoll-Laufwerke im Peripherieschacht mit optionaler 1x2-Flexbay-Rückwandplatine).
- Der Peripherieschacht unterstützt ein optionales optisches Laufwerk und eine optionale Bandsicherungseinheit (TBU) mit halber Bauhöhe. Eine Bandsicherungseinheit mit voller Bauhöhe kann bei entfernter 1x2-Flexbay-Halterung verwendet werden.
- Ein optionales 3,5-Zoll-Diskettenlaufwerk (1,44 MB).
- Ein optionales CD-, DVD- oder CD-RW/DVD-Kombinationslaufwerk.



**ANMERKUNG:** DVD-Geräte sind reine Datenlaufwerke.

- Ein Gehäuseeingriffsschalter, der einer entsprechenden Systemverwaltungssoftware meldet, wenn die obere Gehäuseabdeckung geöffnet wird.
- Bis zu zwei hot-plug-fähige 930-W-Netzteile in einer redundanten 1 + 1-Konfiguration.
- Sechs hot-plug-fähige Systemlüfter.

Die Systemplatine ist mit folgenden Komponenten ausgestattet:

- Sechs PCI-Steckplätze auf einem Erweiterungskartenträger. Die Steckplätze 1 und 2 sind vom Typ PCI-X (3,3 V, 64 Bit, 133 MHz); Steckplatz 3 ist vom Typ PCIe (3,3 V, x8-Bandbreite); die Steckplätze 4 bis 6 sind vom Typ PCIe (3,3 V, x4-Bandbreite). In Erweiterungskartensteckplätzen können Erweiterungskarten von voller Bauhöhe und voller Baulänge installiert werden. PCIe-Steckplätze können Erweiterungskarten bis zu x8-Bandbreite aufnehmen.
- Speziell vorgesehener PCI-Steckplatz für einen integrierten SAS-Host-Bus-Adapter oder eine optionale integrierte RAID-Controllerkarte mit 256 MB Cache-Speicher und einer RAID-Batterie.



**ANMERKUNG:** Der Systemstart von einem externen, an einem SAS- oder SCSI-Adapter angeschlossenen Laufwerk einschließlich SAS 5/E, PERC 5/E oder PERC 4e/DC wird nicht unterstützt. Aktuelle Informationen über das Starten von externen Geräten erhalten Sie beim technischen Support.

- Zwei integrierte Gigabit-Ethernet-NICs für Datenübertragungsraten von 10 Mb/s, 100 Mb/s und 1000-Mb/s.
- Sechs USB-2.0-konforme Anschlüsse (zwei auf der Vorderseite und vier auf der Rückseite) für Diskettenlaufwerk, CD-ROM- oder DVD-ROM-Laufwerk, Tastatur, Maus oder USB-Flash-Laufwerk.
- Optionaler Remote-Access-Controller (RAC) zur Fernverwaltung des Systems.
- Integriertes VGA-kompatibles Grafiksубsystem mit ATI ES1000 PCI-Grafikcontroller mit 33-MHz. Dieses Grafiksубsystem verfügt über einen Grafikspeicher mit 16 MB DDR-SDRAM (nicht erweiterbar). Maximale Auflösung: 1600 × 1200 bei 64.000 Farben. Bei True-Color-Darstellung sind folgende Auflösungen möglich: 640 × 480, 800 × 600, 1024 × 768, 1152 × 864 und 1280 × 1024. Bei installierter optionaler Remote-Access-Karte ist die Grafikaуlösung 1024 × 768.


- Systemverwaltungselektronik zur Überwachung der Systemlüfter und der kritischen Systemspannungen und -temperaturen. Die Systemverwaltungselektronik funktioniert im Verbund mit der Systemverwaltungssoftware.
- Standard-Baseboard-Management-Controller mit seriellem Zugang.
- Auf der Rückseite befinden sich folgende Anschlüsse: Serielle Schnittstelle (1), Bildschirm (1), USB (4) und Netzwerk (2).
- Auf der Vorderseite sind ein Bildschirm- und zwei USB-Anschlüsse vorhanden.
- LCD-Display (1 × 5) auf der Vorderseite zur Anzeige von System-ID und Fehlermeldungen.
- Systemidentifikationstaste auf Vorder- und Rückseite.

Weitere Informationen zu spezifischen Funktionen finden Sie unter „Technische Daten“ auf Seite 72.

## Unterstützte Betriebssysteme

- Microsoft® Windows Storage Server™ 2003 R2 Express Edition (x64)
- Microsoft Windows Storage Server 2003 R2 Workgroup Edition (x64)

## Weitere nützliche Informationen

 **VORSICHT: Das *Produktinformationshandbuch* enthält wichtige Informationen zu Sicherheits- und Betriebsbestimmungen. Garantiebestimmungen können als separates Dokument beigelegt sein.**


- In der zusammen mit der Rack-Lösung gelieferten *Rack-Installationsanleitung* bzw. im *Rack-Installationshandbuch* ist die Installation des Systems in einem Rack beschrieben.
- Im *Hardware-Benutzerhandbuch* erhalten Sie Informationen über Systemfunktionen, zur Fehlerbehebung am System und zum Installieren oder Austauschen von Systemkomponenten. Das *Hardware-Benutzerhandbuch* befindet sich auf den zusammen mit dem System gelieferten CDs oder kann von Ihrem technischen Support-Dienstleister bezogen werden.

- Mitgelieferte CDs enthalten Dokumentation und Dienstprogramme zur Konfiguration und Verwaltung des Systems.
- Möglicherweise sind Versionshinweise oder Infodateien vorhanden. Diese enthalten Aktualisierungen zum System oder zur Dokumentation bzw. detailliertes technisches Referenzmaterial für erfahrene Benutzer oder Techniker.

## Technische Unterstützung


Falls Sie einen Vorgang in diesem Handbuch nicht nachvollziehen können oder das System sich nicht wie erwartet verhält, nehmen Sie das *Hardware-Benutzerhandbuch* zur Hand.

## Installation und Konfiguration

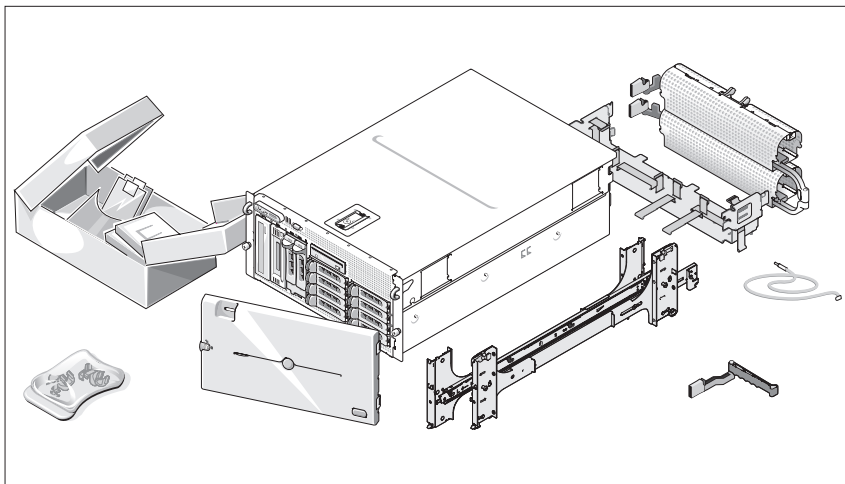
 **VORSICHT: Bevor Sie mit dem folgenden Vorgang beginnen, lesen und befolgen Sie die Sicherheitshinweise und die Betriebsbestimmungen im *Produktinformationshandbuch*.**

In diesem Abschnitt ist die erstmalige Einrichtung des Systems beschrieben. Die folgenden Abbildungen zeigen ein System für Rack-Montage, doch die Vorgehensweise gilt im Wesentlichen auch für ein frei stehendes Tower-System. Statt das System in Schritt 2 in einem Rack zu montieren, müssen Sie entsprechend der Systemdokumentation die Stabilisatoren am System befestigen.

 **VORSICHT: Die Installation der Stabilisatoren bei einem frei stehenden Tower-System ist notwendig, um eine sichere Standfläche für das System zu schaffen. Wenn die Stabilisatoren nicht installiert werden, besteht die Gefahr, dass das System umkippt und möglicherweise Verletzungen oder Schäden verursacht.**

 **VORSICHT: Zum Anheben des Systems sollten Sie sich stets von einer anderen Person helfen lassen. Um Verletzungen zu vermeiden, sollten Sie nicht versuchen, das System allein zu bewegen.**

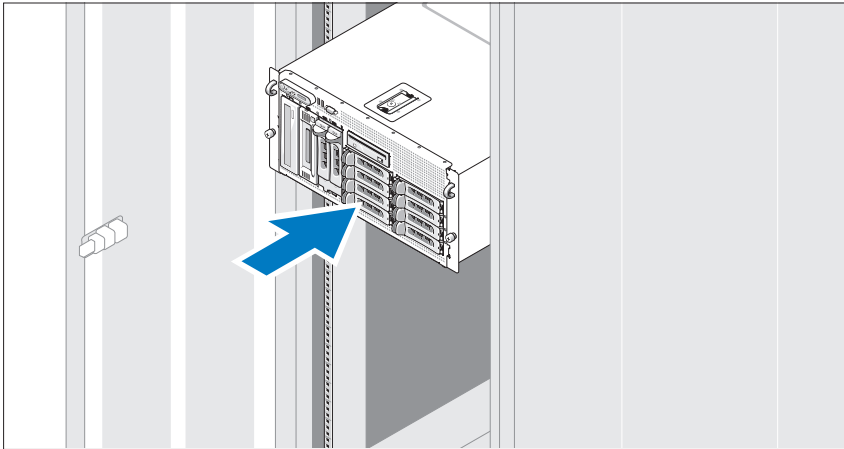
## Auspacken des Systems



- 1 Entnehmen Sie das System der Verpackung, und identifizieren Sie die einzelnen Komponenten.

Bewahren Sie das Verpackungsmaterial für möglichen späteren Gebrauch auf.

## Installation der Schienen und des Systems in einem Rack

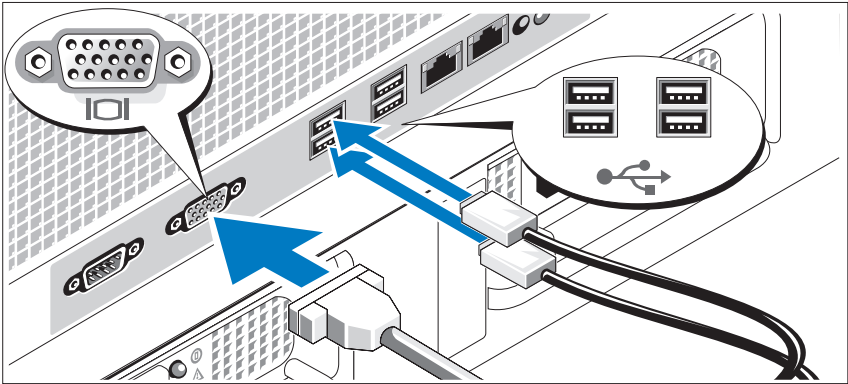


- 2 Wenn Sie die Sicherheitshinweise in der Dokumentation zur Rack-Installation für das System gelesen haben, können Sie die Schienen und das System im Rack installieren.

Wie Sie das System in einem Rack installieren, erfahren Sie in der Dokumentation zur Rack-Installation.

Falls es sich um ein Tower-System handelt, installieren Sie entsprechend der Systemdokumentation die Stabilisatoren am System.

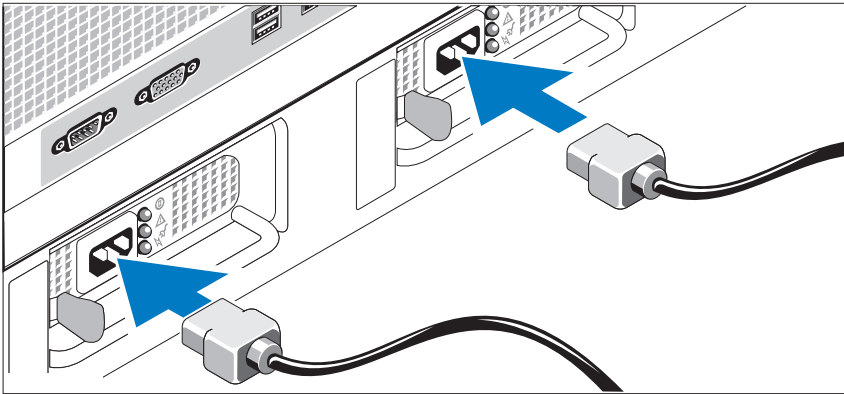
## Anschließen von Tastatur, Maus und Bildschirm



- 3 Schließen Sie die Tastatur, die Maus und den Bildschirm (optional) an.

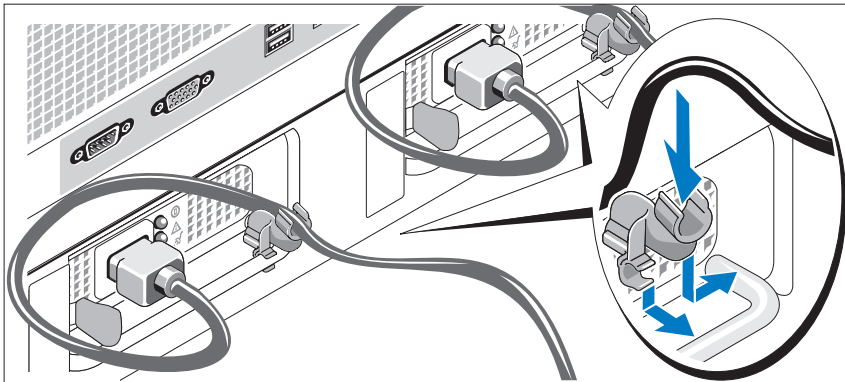
Die Anschlüsse auf der Rückseite des Systems sind mit Symbolen gekennzeichnet, mit denen sich die entsprechenden Kabel zuordnen lassen. Denken Sie daran, gegebenenfalls die Schrauben am Stecker des Bildschirmkabels festzuziehen.

## Anschließen der Stromversorgung



- 4 Verbinden Sie das bzw. die Netzstromkabel mit dem System.
- 5 Verbinden Sie das andere Ende des Kabels mit einer geerdeten Steckdose oder mit einer separaten Spannungsquelle, etwa einer unterbrechungsfreien Stromversorgung (USV) oder einem Stromverteiler.

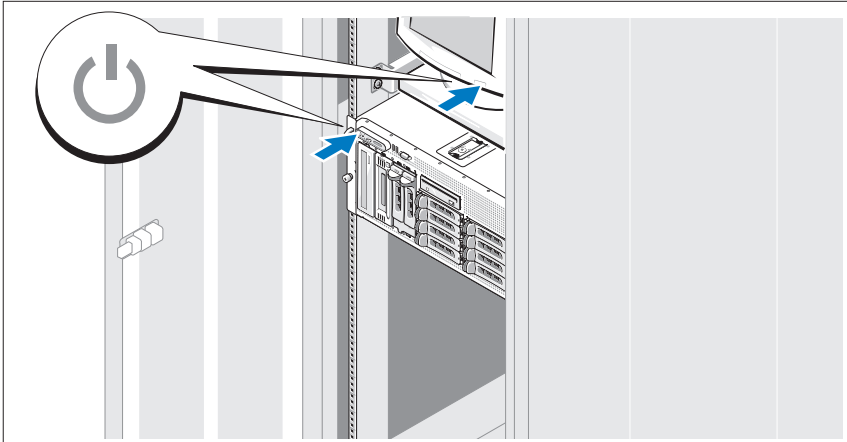
## Installation der Rückhalteklammer für das Netzstromkabel



- 6 Bringen Sie die Rückhalteklammer für das Netzstromkabel am rechten Bogen des Netzteilgriffs an. Biegen Sie das Netzstromkabel wie abgebildet zu einer Schlaufe und befestigen Sie es an der Kabelklammer. Wiederholen Sie den Vorgang für das zweite Netzteil.



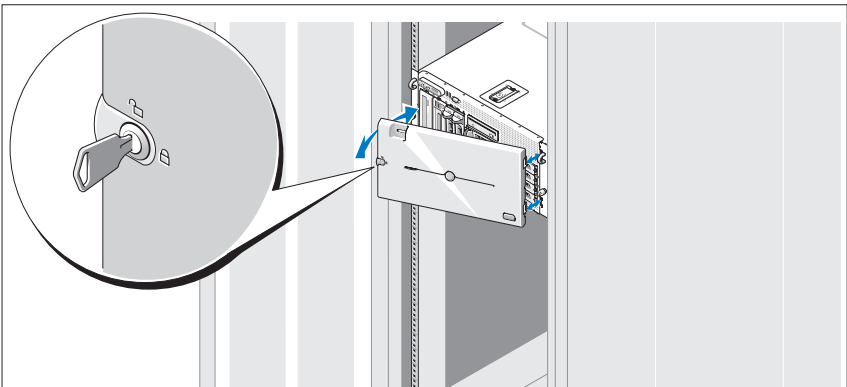
## Einschalten des Systems



- 7** Schalten Sie das System und den Bildschirm (optional) ein.

Drücken Sie den Netzschalter am System und am Bildschirm. Daraufhin sollten die Betriebsanzeigen aufleuchten. Stellen Sie den Monitor ein, bis die Anzeige zufriedenstellend ist.

## Anbringen der Frontverkleidung



- 8** Installieren Sie die Frontverkleidung (optional).

# Einrichten des Betriebssystems

Wenn das Betriebssystem vorinstalliert ist, lesen Sie die zusammen mit dem System gelieferte Dokumentation zum Betriebssystem. Wie Sie ein Betriebssystem erstmalig installieren, erfahren Sie in der Dokumentation *Quick Installation Guide* (Kurz-Installationsanleitung). Das Betriebssystem muss installiert sein, bevor Sie andere, nicht zusammen mit dem System erworbene Hardware oder Software installieren.

## Technische Daten

---

<b>Prozessor</b>	
Prozessortyp	Ein oder zwei Dual-Core Intel Xeon-Prozessoren 5000 Sequence
<b>Erweiterungsbus</b>	
Bustyp	PCI, PCI-X, PCIe
<b>Erweiterungssteckplätze</b>	
PCI-X-	Zwei Steckplätze für Karten voller Baulänge und voller Bauhöhe mit 3,3 V, 64 Bit, 133-MHz (Steckplätze 1 und 2)
PCIe	Einmal x8-Bandbreite, 3,3 V (Steckplatz 3) Dreimal x4-Bandbreite, 3,3 V (Steckplätze 4 bis 6)
<b>Speicher</b>	
Architektur	Fully-Buffered-DIMMs (FBD) mit 533 oder 667 MHz (sofern verfügbar)
Speichermodulesockel	Zwölfmal 240-polig
Speichermodulekapazitäten	256 MB, 512 MB, 1 GB, 2 GB oder 4 GB
RAM (Minimum)	512 MB (zwei 256-MB-Module)
RAM (Maximum)	48 GB

---

## Laufwerke

---

Festplattenlaufwerke	Bis zu zehn interne, hot-plug-fähige 3,5-Zoll-SAS- oder SATA-Laufwerke <ul style="list-style-type: none"><li>• Acht Laufwerke im internen Laufwerkschacht</li><li>• Zwei Laufwerke in der optionalen 1x2-Flexbay-Rückwandplatlinenerweiterung</li></ul>
Diskettenlaufwerk	Ein optionales 3,5-Zoll-Laufwerk für 1,44 MB Externes optionales USB-Laufwerk (3,5 Zoll) für 1,44 MB
Optisches Laufwerk	Ein optionales CD-, DVD- oder kombiniertes CD-RW/DVD-Laufwerk <b>ANMERKUNG:</b> DVD-Geräte sind reine Datenlaufwerke. Externes optionales USB-CD-Laufwerk Externes optionales USB-DVD-ROM-Laufwerk
Flash-Laufwerk	Externer USB-Datenträger (optional)

---

## Anschlüsse

---

### Rückseite

NIC	Zwei TOE-fähige RJ-45-Anschlüsse (für integrierte 1-GB-NICs)
Seriell	9-polig, DTE, 16550-kompatibel
USB	Vier 4-polige Anschlüsse, USB-2.0-konform
Grafik	VGA, 15-polig

### Vorderseite

Grafik	VGA, 15-polig
USB	Zwei 4-polige Anschlüsse, USB-2.0-konform

---

## Grafik

---

Grafiktyp	Grafikcontroller ATI ES1000; VGA-Anschlüsse
Grafikspeicher	16 MB DDR-SDRAM

---

**Anschlusswerte**

---

**AC-Netzstromversorgung (über Netzteil)**

Leistung	930 W
Spannung	90-264 VAC, autom. Bereichseinstellung, 47-63 Hz
Wärmeabgabe	Maximal 2697 BTU/h
Maximaler Einschaltstrom	Unter typischen Leitungsbedingungen und über den gesamten Umgebungsbereich des Systems kann der Einschaltstrom pro Netzteil (über einen Zeitraum von 10 ms oder weniger) 55 A erreichen.

**Batterien**

Systembatterie	CR 2032, 3,0-V-Lithium-Ionen-Knopfzelle
RAID-Akku (optional)	4,1 V Lithium-Ionen

---

**Abmessungen und Gewicht**

---

**Rack**

Höhe	21,77 cm
Breite	44,27 cm (nur Gehäuse) 48,27 cm mit Rack-Flanschen
Tiefe	66,13 cm (ohne Bedienfeld oder Frontverkleidung; mit Bedienfeld zusätzlich 1,3 cm)
Gewicht (maximale Konfiguration)	45,36 kg

**Tower (ohne Frontverkleidung)**

Höhe	47,89 cm (mit Stabilisatoren, ohne Rollen)
Breite	22,66 cm
Tiefe	66,13 cm (ohne Bedienfeld oder Frontverkleidung; mit Bedienfeld zusätzlich 1,3 cm)
Gewicht (maximale Konfiguration)	49,9 kg

---

## Umgebungsbedingungen

---

**ANMERKUNG:** Nähere Informationen zu Umgebungsbedingungen für spezifische Systemkonfigurationen erhalten Sie beim technischen Support.

### Temperatur

Betrieb	10 bis 35 °C
Lagerung	-40 bis 65 °C

### Relative Luftfeuchtigkeit

Betrieb	20% bis 80% (nicht-kondensierend) mit einem Anstieg der Luftfeuchtigkeit von 10 % pro Stunde
Lagerung	5 bis 95 % (nicht kondensierend)

### Maximale Erschütterung

Betrieb	0,26 G bei 5-350Hz, 2 min lang in der Z-Achse
Lagerung	1,54 G bei 10-250 Hz, 15 min lang in allen Richtungen

### Maximale Stoßeinwirkung

Betrieb	Ein Stoß von 41 G in der positiven z-Achse (ein Stoß auf jeder Seite des Systems) über einen Zeitraum von bis zu 2 ms.
Lagerung	Sechs nacheinander ausgeführte Stöße mit 71 G von bis zu 2 ms Dauer in positiver und negativer X-, Y- und Z-Richtung (ein Stoß auf jeder Seite des Systems).

### Höhe über NN

Betrieb	-16 bis 3048 m
Lagerung	-16 bis 10.600 m

---



# Stichwortverzeichnis

## C

CD-RW/DVD-Kombinations-  
laufwerk, 63

## E

Erweiterungskartenträger, 64

## G

Grafikcontroller, 64

## I

Installation  
und Konfiguration, 66

Integrierte RAID-  
Controllerkarte, 64

## N

NICs, 64

## P

Prozessoren, 63

## R

Remote-Access-Controller  
Remote-Systemverwaltung, 64

Remote-Access-Controller-  
karte, 64

Remote-Systemverwaltung  
Remote-Access-Controller-  
karte, 64

## S

SMP (Symmetrisches  
Multiprocessing), 63

Speicher, 63  
Interleaving, 63

Systemmerkmale, 63  
  CD-Laufwerk, 63  
  Diskettenlaufwerk, 63  
  DVD-Laufwerk, 63  
  Grafikcontroller, 64  
  Netzteil, 64  
  NICs, 64  
  Prozessoren, 63  
  Remote-Access-Controller-  
    karte, 64  
  SMP (Symmetrisches  
    Multiprocessing), 63  
  Speicher, 63  
  USB, 64

## **T**

Technische Daten, 72  
Technische Unterstützung, 66

## **U**

Unterstützte  
  Betriebssysteme, 65



Dell™ PowerVault™

Συστήματα 600

Τα πρώτα βήματα  
Με το σύστημά σας

Πρότυπο MVT01



# Σημειώσεις, ειδοποιήσεις και προσοχές



**ΣΗΜΕΙΩΣΗ:** Η ένδειξη ΣΗΜΕΙΩΣΗ υποδεικνύει σημαντικές πληροφορίες που σας βοηθούν να χρησιμοποιήσετε πιο σωστά τον υπολογιστή σας.



**ΕΙΔΟΠΟΙΗΣΗ:** Η ένδειξη ΕΙΔΟΠΟΙΗΣΗ υποδεικνύει είτε πιθανή βλάβη του υλικού είτε απώλεια δεδομένων και σας πληροφορεί πώς να αποφύγετε το πρόβλημα.



**ΠΡΟΣΟΧΗ:** Η ένδειξη ΠΡΟΣΟΧΗ υποδεικνύει την πιθανότητα υλικής ζημιάς, προσωπικού τραυματισμού ή θανάτου.

---

**Οι πληροφορίες που περιέχονται στο παρόν έγγραφο ενδέχεται να αλλάξουν χωρίς προηγούμενη ειδοποίηση.**

© 2007 Dell Inc. Με επιφύλαξη όλων των δικαιωμάτων.

Απαγορεύεται αυστηρώς η αναπαραγωγή με οποιονδήποτε τρόπο χωρίς την έγγραφη άδεια της Dell Inc.

Εμπορικά σήματα που χρησιμοποιούνται σε αυτό το κείμενο: Η ονομασία *Dell*, το λογότυπο *DELL* και η ονομασία *PowerVault*, είναι εμπορικά σήματα της Dell Inc. Οι ονομασίες *Intel Core* και *Core 2 Duo* είναι εμπορικά σήματα και οι ονομασίες *Intel*, *Pentium* και *Xeon* είναι σήματα κατατεθέντα της Intel Corporation στις Ηνωμένες Πολιτείες και σε άλλες χώρες. Οι ονομασίες *Microsoft*, *Windows* και *Windows Storage Server* είναι εμπορικά σήματα ή σήματα κατατεθέντα της Microsoft Corporation στις Ηνωμένες Πολιτείες και/ή σε άλλες χώρες.

Στο παρόν έγγραφο ενδέχεται να χρησιμοποιούνται άλλα εμπορικά σήματα και εμπορικές ονομασίες για αναφορά στις οντότητες που διεκδικούν τα σήματα και τις ονομασίες ή για αναφορά στα προϊόντα τους. Η Dell Inc. αποποιείται οποιοδήποτε πιθανό συμφέρον ιδιοκτησίας από εμπορικά σήματα και εμπορικές ονομασίες εκτός από αυτά που έχει στην κατοχή της.

Πρότυπο MVT01

Σεπτέμβριος 2007

P/N CX202

Αναθ. A00

# Περιεχόμενα

<b>Χαρακτηριστικά συστήματος . . . . .</b>	<b>83</b>
<b>Λειτουργικά συστήματα που υποστηρίζονται . . . . .</b>	<b>86</b>
<b>Άλλες πληροφορίες που ενδέχεται να χρειαστείτε . . . . .</b>	<b>86</b>
<b>Λήψη τεχνικής βοήθειας . . . . .</b>	<b>87</b>
<b>Εγκατάσταση και διαμόρφωση . . . . .</b>	<b>87</b>
Άνοιγμα της συσκευασίας του συστήματος. . . . .	88
Τοποθέτηση των ραγών και του συστήματος σε ράφι. . . . .	89
Σύνδεση πληκτρολογίου, ποντικιού και οθόνης. . . . .	90
Σύνδεση της τροφοδοσίας. . . . .	90
Τοποθέτηση του στηρίγματος συγκράτησης του καλωδίου τροφοδοσίας . . . . .	91
Ενεργοποίηση του συστήματος. . . . .	92
Τοποθέτηση της πρόσοψης μονάδας . . . . .	92
<b>Ολοκλήρωση της εγκατάστασης του λειτουργικού συστήματος . . . . .</b>	<b>93</b>
<b>Τεχνικές προδιαγραφές. . . . .</b>	<b>93</b>
<b>Πίνακας περιεχομένων . . . . .</b>	<b>99</b>



# Χαρακτηριστικά συστήματος

Τα κύρια χαρακτηριστικά λογισμικού και υλικού του συστήματός σας περιλαμβάνουν:

- Έναν ή δύο επεξεργαστές διπλού πυρήνα Intel® Xeon® της σειράς 5000.
- Υποστήριξη συμμετρικής πολυ-επεξεργασίας (SMP), η οποία είναι διαθέσιμη σε συστήματα με δύο επεξεργαστές Intel Xeon. Το χαρακτηριστικό SMP βελτιώνει τη συνολική απόδοση του συστήματος καταμερίζοντας τις επεξεργαστικές εργασίες σε ανεξάρτητους επεξεργαστές. Για να εκμεταλλευτείτε αυτό το χαρακτηριστικό, πρέπει να χρησιμοποιείτε ένα λειτουργικό σύστημα που να υποστηρίζει την πολυ-επεξεργασία.



**ΣΗΜΕΙΩΣΗ:** Αν αποφασίσετε να αναβαθμίσετε το σύστημά σας εγκαθιστώντας ένα δεύτερο επεξεργαστή, πρέπει να παραγγείλετε τα σετ αναβάθμισης επεξεργαστή από τον προμηθευτή σας. Όλες οι εκδόσεις των επεξεργαστών Xeon της Intel δεν λειτουργούν σωστά ως πρόσθετοι επεξεργαστές. Το σετ αναβάθμισης περιέχει τη σωστή έκδοση επεξεργαστή, δεξαμενής θερμότητας και ανεμιστήρα, καθώς και οδηγίες για την εκτέλεση της αναβάθμισης.

- Κατ' ελάχιστο 512 MB στα 533 ή 667 MHz (όταν είναι διαθέσιμα), μνήμη Fully Buffered DIMM (FBD), με δυνατότητα αναβάθμισης σε 48 GB το πολύ, με εγκατάσταση συνδυασμών 256 MB, 512 MB, 1 GB, 2-GB ή 4 GB μονάδων μνήμης στις δώδεκα υποδοχές μονάδων μνήμης επάνω στην πλακέτα του συστήματος.

Το σύστημα χαρακτηρίζεται επίσης από εφεδρική μνήμη, η οποία παρέχει πλεόνασμα ή κατοπτρικό είδωλο μνήμης. Και τα δύο χαρακτηριστικά είναι διαθέσιμα αν είναι εγκατεστημένες οκτώ ή δώδεκα ίδιες μονάδες μνήμης.

- Υποστήριξη για έως και δέκα εσωτερικές μονάδες σκληρού δίσκου, 3,5 ιντσών, θερμής σύνδεσης, σειριακής σύνδεσης SCSI (SAS) ή SATA (οκτώ εσωτερικές μονάδες σκληρού δίσκου των 3,5 ιντσών, με πλακέτα βάσης θερμής βυσμάτωσης και με υποστήριξη για δύο επιπλέον μονάδες σκληρού δίσκου των 3,5 ιντσών, θερμής-σύνδεσης, στο περιφερειακό φαντίο με χρήση της προαιρετικής 1x2 πλακέτας βάσης εύκαμπτου φαντίου).
- Το περιφερειακό φαντίο παρέχει υποστήριξη για μια προαιρετική μονάδα οπτικού δίσκου και για μια προαιρετική μονάδα μισού ύψους για εφεδρικά αντίγραφα ταινίας. Με αφαίρεση του 1x2 βραχίονα του εύκαμπτου φαντίου, υποστηρίζεται μια πλήρους ύψους μονάδα για τη δημιουργία αντιγράφων ασφαλείας.

- Μια προαιρετική απλή μονάδα δισκέτας, 1,44 MB, 3,5 ιντσών.
- Μια προαιρετική μονάδα οπτικών δίσκων CD, DVD ή συνδυασμού CD-RW/DVD.



**ΣΗΜΕΙΩΣΗ:** Οι μονάδες DVD είναι μόνο για δεδομένα.

- Ένα διακόπτης διείσδυσης που ενημερώνει το κατάλληλο λογισμικό διαχείρισης συστημάτων στην περίπτωση που είναι ανοικτό το επάνω κάλυμμα.
- Έως και δύο παροχές τροφοδοσίας 930 W, θερμής σύνδεσης σε εφεδρική διαμόρφωση 1 + 1.
- Έξι ανεμιστήρες θερμής σύνδεσης για την ψύξη του συστήματος.

Η πλακέτα του συστήματος περιλαμβάνει τα παρακάτω χαρακτηριστικά:

- Έξι υποδοχές PCI τοποθετημένες σε έναν κλωβό κάρτας επέκτασης. Οι υποδοχές 1 και 2 είναι 3,3 V, 64-bit, 133 MHz PCI-X. Η υποδοχή 3 είναι μια μακρόστενη υποδοχή 3,3 V, PCIe x8. Οι υποδοχές 4 έως 6 είναι μακρόστενες υποδοχές 3,3 V, PCIe x4. Οι υποδοχές καρτών επέκτασης μπορούν να δεχτούν κάρτες επέκτασης πλήρους-ύψους και πλήρους-μήκους. Οι υποδοχές PCIe δέχονται έως και x8 κάρτες επέκτασης.
- Ειδική υποδοχή PCI για ενσωματωμένο κεντρικό προσαρμογέα διαύλου SAS ή για προαιρετική ενσωματωμένη κάρτα ελεγκτή RAID με 256 MB κρυφής μνήμης (cache) και μπαταρία RAID.



**ΣΗΜΕΙΩΣΗ:** Δεν υποστηρίζεται η εκκίνηση του συστήματος από εξωτερική συσκευή προσαρτημένη σε προσαρμογέα SAS ή SCSI, συμπεριλαμβανομένων των SAS 5/E, PERC 5/E και PERC 4e/DC. Επικοινωνήστε με την εταιρία παροχής τεχνικής υποστήριξης για τις τελευταίες πληροφορίες υποστήριξης σχετικά με την εκκίνηση από εξωτερικές συσκευές.

- Δύο ενσωματωμένες κάρτες NIC Gigabit Ethernet, με δυνατότητα υποστήριξης ταχυτήτων δεδομένων της τάξης των 10 Mbps, 100 Mbps και 1000-Mbps.
- Έξι συζευκτήρες συμβατούς με USB 2.0 (δύο στο εμπρός και τέσσερις στο πίσω μέρος) με δυνατότητα υποστήριξης για μία μονάδα δισκέτας, μία μονάδα CD-ROM ή DVD-ROM, ένα πληκτρολόγιο, ένα ποντίκι ή μία μονάδα μνήμης flash USB.


- Προαιρετικός ελεγκτής απομακρυσμένης πρόσβασης (RAC) για απομακρυσμένη διαχείριση συστημάτων.
- Ένα ενσωματωμένο υποσύστημα οθόνης συμβατό με VGA με ελεγκτή οθόνης ATI ES1000, 33-MHz PCI. Αυτό το υποσύστημα οθόνης περιέχει 16 MB μνήμης οθόνης DDR SDRAM (χωρίς δυνατότητα αναβάθμισης). Η μέγιστη ανάλυση είναι 1600 x 1200 με 64 K χρώματα. Τα γραφικά με πραγματικά χρώματα υποστηρίζονται για τις ακόλουθες αναλύσεις: 640 x 480, 800 x 600, 1024 x 768, 1152 x 864 και 1280 x 1024. Όταν εγκατασταθεί ο προαιρετικός ελεγκτής απομακρυσμένης πρόσβασης, η ανάλυση της οθόνης γίνεται 1024 X 768.
- Διάταξη κυκλωμάτων για τη διαχείριση συστημάτων, η οποία παρακολουθεί τη λειτουργία των ανεμιστήρων του συστήματος, καθώς και τις κρίσιμες θερμοκρασίες και τάσεις του συστήματος. Η διάταξη κυκλωμάτων για τη διαχείριση συστημάτων λειτουργεί σε συνδυασμό με το λογισμικό διαχείρισης συστημάτων.
- Τυπικός ελεγκτής διαχείρισης πλακέτας βάσης, σειριακής προσπέλασης.
- Οι συζευκτήρες του πίσω μέρους περιλαμβάνουν ένα σειριακό συζευκτήρα, ένα συζευκτήρα οθόνης, τέσσερις συζευκτήρες USB και δύο συζευκτήρες καρτών NIC.
- Οι συζευκτήρες του εμπρός μέρους περιλαμβάνουν ένα συζευκτήρα οθόνης και δύο συζευκτήρες USB.
- Μπροστινός πίνακας 1x5 LCD για την ταυτότητα συστήματος και μηνύματα σφαλμάτων.
- Κουμπί κωδικού αναγνώρισης του συστήματος στο εμπρός και το πίσω μέρος.

Για περισσότερες πληροφορίες σχετικά με συγκεκριμένα χαρακτηριστικά, ανατρέξτε στην ενότητα «Τεχνικές προδιαγραφές» στη σελίδα 93.

## Λειτουργικά συστήματα που υποστηρίζονται

- Microsoft® Windows Storage Server™ 2003 R2 Express Edition (x64)
- Microsoft Windows Storage Server 2003 R2 Workgroup Edition (x64)

## Άλλες πληροφορίες που ενδέχεται να χρειαστείτε

 **ΠΡΟΣΟΧΗ:** Ο *Οδηγός Πληροφοριών Προϊόντος* παρέχει σημαντικές πληροφορίες για την ασφάλεια και τους ρυθμιστικούς κανόνες. Οι πληροφορίες για την εγγύηση ενδέχεται να συμπεριλαμβάνονται μέσα σε αυτό το έγγραφο ή ως ξεχωριστό έγγραφο.


- Οι *Οδηγίες εγκατάστασης σε ράφι* ή ο *Οδηγός εγκατάστασης σε ράφι* που συνοδεύουν τη δική σας λύση για ράφι περιγράφουν τον τρόπο εγκατάστασης τους συστήματός σας σε ράφι.
- Το *Εγχειρίδιο κατόχου υλικού* παρέχει πληροφορίες σχετικά με τα χαρακτηριστικά του συστήματος και περιγράφει την αντιμετώπιση προβλημάτων του συστήματός σας και την εγκατάσταση ή την αντικατάσταση συστατικών στοιχείων του συστήματος. Το *Εγχειρίδιο κατόχου υλικού* είναι διαθέσιμο στα CD που συνοδεύουν το σύστημά σας ή μπορείτε να το προμηθευτείτε από τον τεχνικό παροχέα με τον οποίο συνεργάζεστε.
- Τα CD που συνοδεύουν το σύστημά σας παρέχουν τεκμηρίωση και εργαλεία για τη διαμόρφωση και τη διαχείριση του συστήματός σας.
- Σημειώσεις έκδοσης ή αρχεία Readme (πληροφοριών) ενδέχεται να περιλαμβάνονται για να παρέχουν τις τελευταίες ενημερώσεις για το σύστημα, όπως επίσης τεκμηρίωση ή προχωρημένο υλικό αναφοράς για τεχνικά θέματα που προορίζονται για έμπειρους χρήστες ή τεχνικούς.




# Λήψη τεχνικής βοήθειας


Εάν δεν κατανοείτε μια διαδικασία του οδηγού αυτού ή αν το σύστημα δεν λειτουργεί με τον αναμενόμενο τρόπο, ανατρέξτε στο *Εγχειρίδιο κατόχου υλικού*.

## Εγκατάσταση και διαμόρφωση

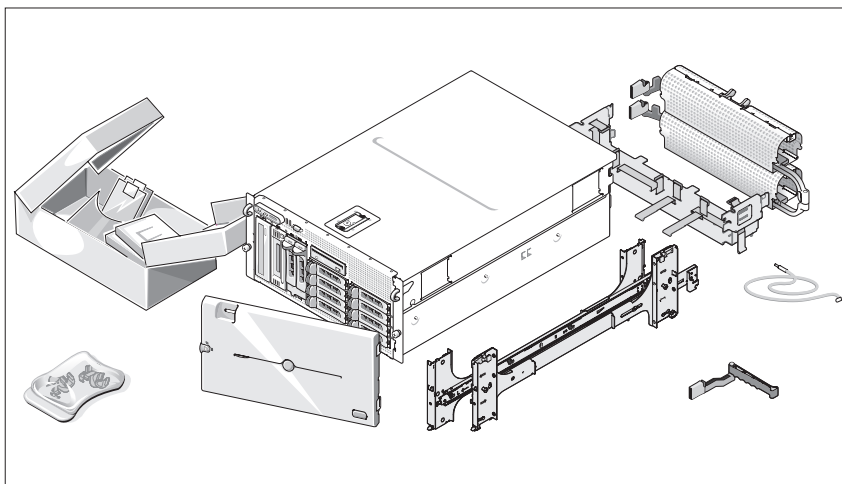
 **ΠΡΟΣΟΧΗ:** Προτού πραγματοποιήσετε την παρακάτω διαδικασία, διαβάστε και ακολουθήστε τις οδηγίες ασφαλείας και τους σημαντικούς ρυθμιστικούς κανόνες στον *Οδηγό Πληροφοριών Προϊόντος*.

Η ενότητα αυτή περιγράφει τα βήματα για την αρχική ρύθμιση των παραμέτρων του συστήματός σας. Τα σχήματα που ακολουθούν εμφανίζουν ένα σύστημα τοποθετημένο σε ράφι, αλλά η διαδικασία εγκατάστασης εφαρμόζεται κατά μεγάλο μέρος σε αυτόνομο σύστημα με πύργο. Αντί για την τοποθέτηση σε ράφι στο βήμα 2, ανατρέξτε στην τεκμηρίωση που περιλαμβάνεται με το σύστημά σας στην εγκατάσταση βάσης σταθεροποιητή στο σύστημά σας.

 **ΠΡΟΣΟΧΗ:** Η εγκατάσταση της βάσης σε ένα αυτόνομο σύστημα με πύργο είναι απαραίτητη για την παροχή σταθερής βάσης στήριξης στο σύστημα. Η αποτυχία εγκατάστασης των ποδιών ενέχει τον κίνδυνο ανατροπής του συστήματος, με πιθανότητα να προκληθεί σωματικός τραυματισμός ή βλάβη στο σύστημα.

 **ΠΡΟΣΟΧΗ:** Όποτε παραστεί η ανάγκη να σηκώσετε το σύστημα, ζητήστε από άλλους να σας βοηθήσουν. Για να αποφύγετε πιθανό τραυματισμό, μην επιχειρήσετε να σηκώσετε μόνος σας το σύστημα.

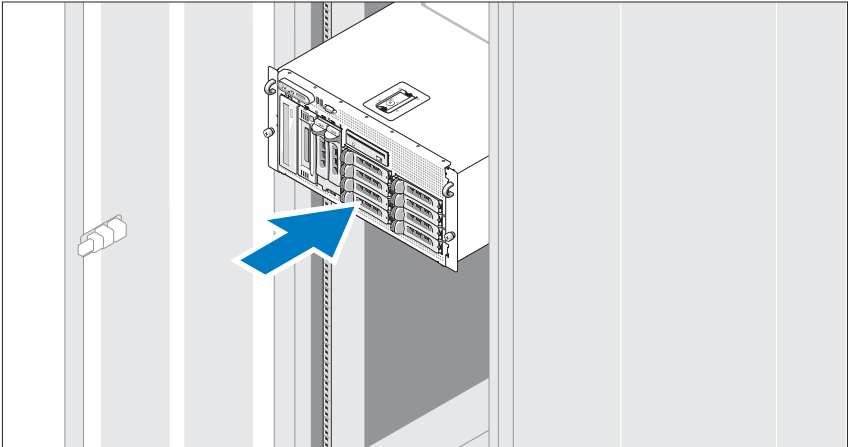
## Άνοιγμα της συσκευασίας του συστήματος



- 1 Ανοίξτε τη συσκευασία του συστήματός σας και αναγνωρίστε κάθε αντικείμενο.

Φυλάξτε όλα τα υλικά που σας αποστάλθηκαν για την περίπτωση που θα τα χρειαστείτε αργότερα.

## Τοποθέτηση των ραγών και του συστήματος σε ράφι

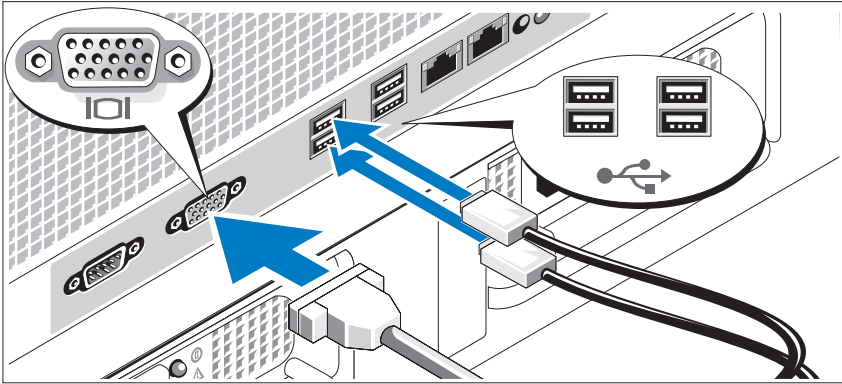


- 2 Μόλις ολοκληρώσετε την ανάγνωση των «Οδηγιών ασφαλείας» που βρίσκονται στην τεκμηρίωση εγκατάστασης σε ράφι για το σύστημά σας, τοποθετήστε τις ράγες και το σύστημα σε ράφι.

Για οδηγίες σχετικά με την εγκατάσταση του συστήματός σας σε ράφι, ανατρέξτε στην τεκμηρίωση εγκατάστασης σε ράφι.

Για σύστημα με πύργο, ανατρέξτε στην τεκμηρίωση που περιλαμβάνεται με το σύστημά σας σχετικά με την εγκατάσταση της βάσης σταθεροποιητή του συστήματος.

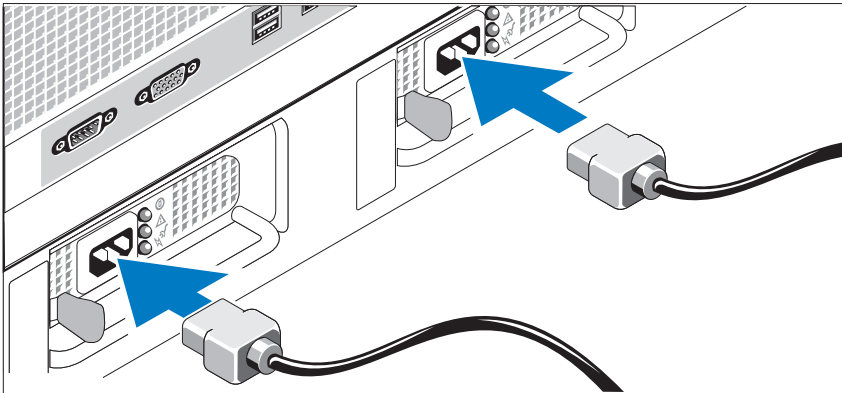
## Σύνδεση πληκτρολογίου, ποντικιού και οθόνης



- 3** Συνδέστε το πληκτρολόγιο, το ποντίκι και την οθόνη (προαιρετική).

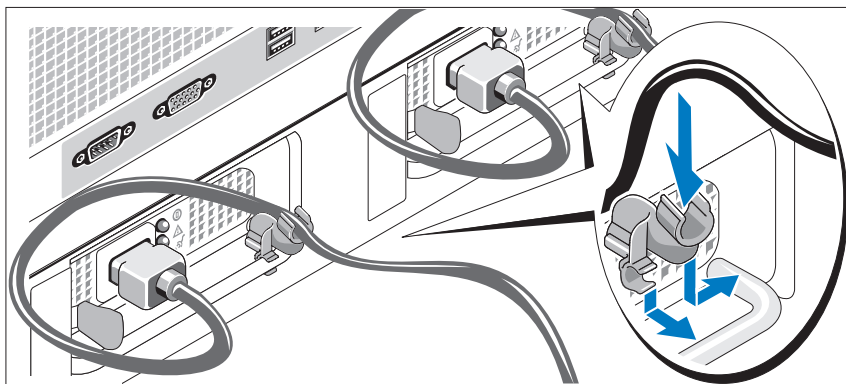
Οι συσκευήρες στο πίσω μέρος του συστήματος έχουν εικονίδια τα οποία υποδεικνύουν το καλώδιο που συνδέεται σε κάθε συσκευήρα. Πρέπει να σφίξετε τις βίδες (εάν υπάρχουν) στο συσκευήρα καλωδίου της οθόνης.

## Σύνδεση της τροφοδοσίας



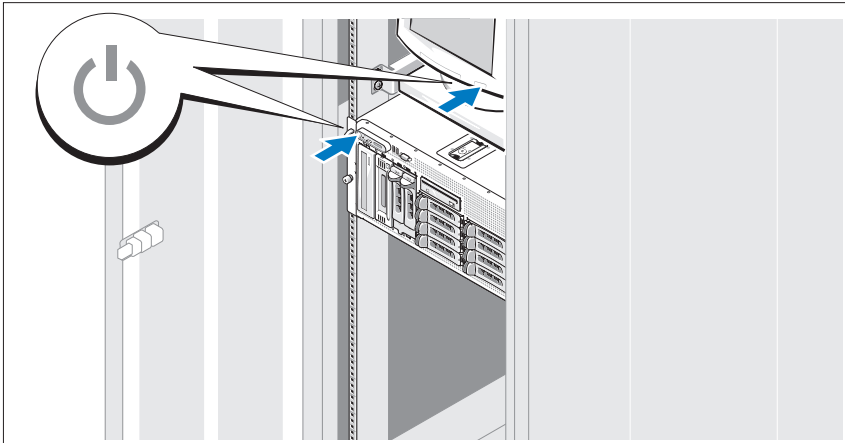
- 4** Συνδέστε το καλώδιο(-α) τροφοδοσίας στο σύστημα.
- 5** Συνδέστε το άλλο άκρο του καλωδίου σε γειωμένη πρίζα ρεύματος ή σε ξεχωριστή πηγή τροφοδοσίας, όπως είναι ένα σύστημα αδιάλειπτης τροφοδοσίας (UPS) ή μια μονάδα διανομής ρεύματος (PDU).

## Τοποθέτηση του στηρίγματος συγκράτησης του καλωδίου τροφοδοσίας



- 6 Συνδέστε το στηρίγμα συγκράτησης του καλωδίου τροφοδοσίας στο δεξί σύνδεσμο της λαβής της παροχής τροφοδοσίας. Κάμψτε το καλώδιο τροφοδοσίας του συστήματος σε μορφή βρόχου, όπως φαίνεται στο σχήμα και συνδέστε το στην αγκράφα του καλωδίου του στηρίγματος. Επαναλάβετε τη διαδικασία για τη δεύτερη παροχή τροφοδοσίας.

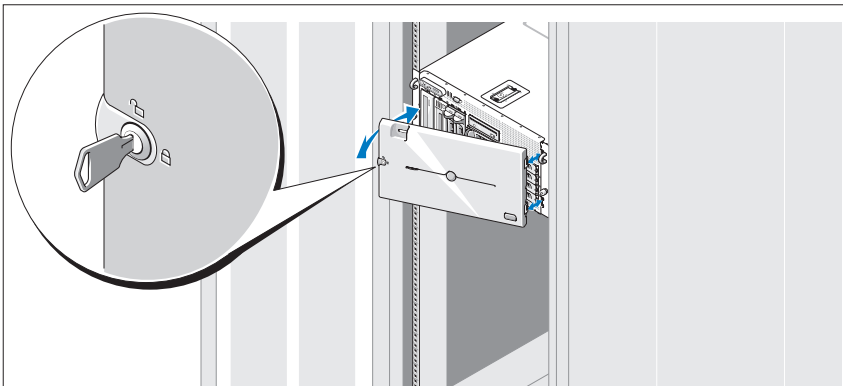
## Ενεργοποίηση του συστήματος



- 7** Ενεργοποιήστε το σύστημα και την οθόνη (προαιρετικά).

Πιέστε το κουμπί λειτουργίας στο σύστημα και την οθόνη. Πρέπει να ανάψουν οι ενδείξεις λειτουργίας. Ρυθμίστε τα κουμλιά ελέγχου της οθόνης έως ότου η εικόνα που εμφανίζεται να σας ικανοποιεί.

## Τοποθέτηση της πρόσοψης μονάδας



- 8** Εγκαταστήστε την πρόσοψη μονάδας (προαιρετικά).

# Ολοκλήρωση της εγκατάστασης του λειτουργικού συστήματος

Εάν έχετε αγοράσει προεγκατεστημένο λειτουργικό σύστημα, ανατρέξτε στην τεκμηρίωση του λειτουργικού συστήματος που συνοδεύει το σύστημά σας. Για να εγκαταστήσετε ένα λειτουργικό σύστημα για πρώτη φορά, ανατρέξτε στον *Οδηγό γρήγορης εγκατάστασης*. Βεβαιωθείτε ότι το λειτουργικό σύστημα είναι εγκατεστημένο, πριν εγκαταστήσετε υλικό ή λογισμικό που δεν έχετε αγοράσει μαζί με το σύστημα.

## Τεχνικές προδιαγραφές

---

### Επεξεργαστής

---

Τύπος επεξεργαστή	Ένας ή δύο επεξεργαστές διπλού πυρήνα Intel Xeon της σειράς 5000
-------------------	--

---

### Δίαυλος επέκτασης

---

Τύπος διαύλου	PCI, PCI-X, PCIe
---------------	------------------

---

### Υποδοχές επέκτασης

PCI-X	Δύο πλήρους ύψους, πλήρους μήκους 3,3 V, 64 bit, 133-MHz (υποδοχές 1 και 2)
PCIe	Μία x8 μακρόστενη υποδοχή, 3,3 V (υποδοχή 3) τρεις x4 μακρόστενες υποδοχές, 3,3 V (υποδοχές 4 έως 6)

---

### Μνήμη

---

Αρχιτεκτονική	Μνήμη DIMM 533 ή 667 MHz (όταν είναι διαθέσιμη) με περιοχή προσωρινής αποθήκευσης (FBD)
Υποδοχές μονάδων μνήμης	Δώδεκα με 240 ακίδες
Χωρητικότητες μονάδων μνήμης	256 MB, 512 MB, 1 GB, 2 GB ή 4 GB
Ελάχιστη μνήμη RAM	512 MB (δύο μονάδες των 256 MB)
Μέγιστη μνήμη RAM	48 GB

---

## Μονάδες

---

Μονάδες σκληρού δίσκου	Έως και δέκα εσωτερικές μονάδες των 3,5 ιντσών, θερμής σύνδεσης SAS ή SATA <ul style="list-style-type: none"><li>• οκτώ μονάδες στο εσωτερικό φατνίο</li><li>• δύο μονάδες στην προαιρετική 1x2 επέκταση της πλακέτας βάσης εύκαμπτου φατνίου</li></ul>
Μονάδα δισκέτας	Μία προαιρετική 3,5 ιντσών, 1,44 MB προαιρετική εξωτερική μονάδα USB, 3,5 ιντσών, 1,44 MB
Μονάδα οπτικού δίσκου	Μία προαιρετική μονάδα CD, DVD ή μια μονάδα συνδυασμού CD-RW/DVD <b>ΣΗΜΕΙΩΣΗ:</b> Οι μονάδες DVD είναι μόνο για δεδομένα. Προαιρετική εξωτερική μονάδα USB CD-ROM Προαιρετική εξωτερική μονάδα USB DVD-ROM
Μονάδα μνήμης flash	Προαιρετική εξωτερική μονάδα USB

---

## Συζευκτήρες

---

### Πίσω μέρος

Κάρτα NIC	Δύο RJ-45 (για ενσωματωμένες κάρτες NIC 1 GB) με δυνατότητα TOE
Σειριακή	9 ακίδων, DTE, συμβατή με 16550
USB	Τέσσερις 4 ακίδων, συμβατές με USB 2.0
Θόνη	VGA 15 ακίδων

### Εμπρός μέρος

Θόνη	VGA 15 ακίδων
USB	Δύο 4 ακίδων, συμβατές με USB 2.0



---

## Οθόνη

---

Τύπος οθόνης	Ελεγκτής οθόνης ATI ES1000, συζευκτήρες VGA
Μνήμη οθόνης	16 MB μνήμης DDR SDRAM

---

## Τροφοδοσία

---

### Τροφοδοσία AC (ανά τροφοδοσία)

Ηλεκτρική ισχύς σε Watt	930 W
Τάση	90–264 V AC, με αυτόματη επιλογή περιοχής, 47–63 Hz
Έκλυση θερμότητας	2.697 BTU/ώρα το μέγιστο
Μέγιστο ρεύμα εισροής	Κάτω από τυπικές συνθήκες γραμμής και πάνω από την περιοχή λειτουργίας περιβάλλοντος ολόκληρου του συστήματος, το ρεύμα εισροής μπορεί να αγγίξει τα 55 A ανά παροχή τροφοδοσίας για 10 ms ή λιγότερο

### Μπαταρίες

Μπαταρία συστήματος	CR 2032 3,0 V ιόντος λιθίου σε σχήμα νομίσματος
Μπαταρία RAID (προαιρετικά)	4,1 V ιόντος λιθίου

---

## Φυσικά χαρακτηριστικά

---

### Ράφι

Ύψος	21,77 εκ. (8,57 ίντσες)
Μήκος	44,27 εκ. (17,43 ίντσες) μόνο το πλαίσιο 48,27 εκ. (19 ίντσες) με τα παρεμβύσματα του ραφιού
Πλάτος	66,13 εκ. (26,04 ίντσες), όπου δεν περιλαμβάνεται ο πίνακας ελέγχου ή η πρόσοψη μονάδας. Ο πίνακας ελέγχου προσθέτει επιπλέον 1,3 εκ. (0,51 ίντσες).
Βάρος (μέγιστη διαμόρφωση)	45,36 kg (100 lb)

---

## Φυσικά χαρακτηριστικά (Συνέχεια)

---

### Πύργος (χωρίς την πρόσωση μονάδας)

Ύψος	47,89 εκ. (18,85 ίντσες) με πόδια, χωρίς τροχούς
Μήκος	22,66 εκ. (8,92 ίντσες)
Πλάτος	66,13 εκ. (26,04 ίντσες), όπου δεν περιλαμβάνεται ο πίνακας ελέγχου ή η πρόσωση μονάδας. Ο πίνακας ελέγχου προσθέτει επιπλέον 1,3 εκ. (0,51 ίντσες).
Βάρος (μέγιστη διαμόρφωση)	49,9 kg (110 lb)

---

## Χαρακτηριστικά περιβάλλοντος

---

**ΣΗΜΕΙΩΣΗ:** Για επιπλέον πληροφορίες σχετικά με τις περιβαλλοντικές μετρήσεις για συγκεκριμένες διαμορφώσεις συστήματος, επικοινωνήστε με την εταιρία παροχής τεχνικής υποστήριξης.

### Θερμοκρασία

Λειτουργίας	10° έως 35°C (50° έως 95°F)
Αποθήκευσης	-40° έως 65°C (-40° έως 149°F)

### Σχετική υγρασία

Λειτουργίας	20% έως 80% (χωρίς συμπύκνωση) με μέγιστη βαθμίδα υγρασίας 10% ανά ώρα
Αποθήκευσης	5% έως 95% (χωρίς συμπύκνωση)

### Μέγιστη ταλάντευση

Λειτουργίας	0,26 G από 5 έως 350Hz επί 2 λεπτά στον άξονα Z
Αποθήκευσης	1,54 G από 10 έως 250 Hz επί 15 λεπτά προς όλες τις κατευθύνσεις

---

## Χαρακτηριστικά περιβάλλοντος (Συνέχεια)

---

### Μέγιστη δόνηση

Λειτουργίας	Ένας παλμός δόνησης στο θετικό τμήμα του άξονα z (ένας παλμός στην κάθε πλευρά του συστήματος) των 41 G επί έως και 2 ms
Αποθήκευσης	Έξι διαδοχικά εκτελεσμένοι παλμοί δόνησης στο θετικό και αρνητικό τμήμα των αξόνων x, y και z (ένας παλμός στην κάθε πλευρά του συστήματος) των 71 G επί έως και 2 ms

### Υψόμετρο

Λειτουργίας	-16 έως 3.048 μέτρα (-50 έως 10.000 πόδια)
Αποθήκευσης	-16 έως 10.600 μέτρα (-50 έως 35.000 πόδια)

---



# Πίνακας περιεχομένων

## A

απομακρυσμένη διαχείριση  
συστημάτων  
κάρτα ελεγκτή απομακρυσμένης  
πρόσβασης, 85

## E

εγκατάσταση και διαμόρφωση, 87  
ελεγκτής απομακρυσμένης  
πρόσβασης  
απομακρυσμένη διαχείριση  
συστημάτων, 85  
ελεγκτής οθόνης, 85  
επεξεργαστές, 83  
ενσωματωμένος ελεγκτής  
RAID, 84

## K

κάρτα ελεγκτή απομακρυσμένης  
πρόσβασης, 85  
κάρτες NIC, 84  
κλωβός κάρτας επέκτασης, 84

## Λ

λειτουργικά συστήματα που  
υποστηρίζονται, 86

## M

μνήμη, 83  
σε παρεμβολή, 83

## Σ

συμμετρική πολυ-επεξεργασία  
(SMP), 83  
συνδυασμός CD-RW/DVD, 84

## T

τεχνικές προδιαγραφές, 93  
τεχνική βοήθεια, 87

## **X**

- χαρακτηριστικά συστήματος, 83
  - USB, 84
  - ελεγκτής οθόνης, 85
  - επεξεργαστές, 83
  - κάρτα ελεγκτή απομακρυσμένης πρόσβασης, 85
  - κάρτες NIC, 84
  - μονάδα CD, 84
  - μονάδα DVD, 84
  - μονάδα δισκέτας, 84
  - μνήμη, 83
  - συμμετρική πολυ-επεξεργασία (SMP), 83
  - παροχή τροφοδοσίας, 84

Systemy Dell™  
PowerVault™ 600

# Rozpoczęcie pracy z systemem

Model MVT01



# Uwagi, ostrzeżenia i przestrogi



**UWAGA:** UWAGA oznacza ważną wiadomość, która pomoże lepiej wykorzystać komputer.



**OSTRZEŻENIE:** OSTRZEŻENIA wskazuje na możliwość uszkodzenia sprzętu lub utraty danych i informuje o sposobie uniknięcia problemu.



**PRZESTROGA:** PRZESTROGA dotyczą możliwości wystąpienia strat materialnych, odniesienia obrażeń lub śmierci.

---

Informacje zawarte w tym dokumencie mogą ulec zmianie bez uprzedzenia.

© 2007 Dell Inc. Wszelkie prawa zastrzeżone.

Zabrania się powielania w jakiegokolwiek postaci bez pisemnej zgody firmy Dell Inc.

Znaki towarowe użyte w tekście: *Dell*, logo *DELL* i *PowerVault* są znakami towarowymi firmy Dell Inc.; *Intel Core* i *Core 2 Duo* są znakami towarowymi, a *Intel*, *Pentium* i *Xeon* są zarejestrowanymi znakami towarowymi firmy Intel Corporation w Stanach Zjednoczonych i w innych krajach; *Microsoft*, *Windows* i *Windows Storage Server* są znakami towarowymi lub zarejestrowanymi znakami towarowymi Microsoft Corporation w Stanach Zjednoczonych i/lub w innych krajach.

W tym dokumencie mogą być także użyte inne znaki i nazwy towarowe w odniesieniu do podmiotów posiadających prawa do znaków i nazw lub ich produktów. Firma Dell Inc. nie rości sobie praw własności do jakichkolwiek znaków towarowych i nazw handlowych, których nie jest właścicielem.

Model MVT01

Wrzesień 2007

Nr ref. CX202

Wersja A00



# Spis treści

<b>Funkcje systemu . . . . .</b>	<b>105</b>
<b>Obsługiwane systemy operacyjne . . . . .</b>	<b>108</b>
<b>Inne przydatne informacje . . . . .</b>	<b>108</b>
<b>Uzyskiwanie pomocy technicznej. . . . .</b>	<b>109</b>
<b>Instalacja i konfiguracja. . . . .</b>	<b>109</b>
Rozpakowanie zestawu komputerowego. . . . .	110
Instalowanie przewodnic i systemu w stelażu . . . . .	111
Podłączanie klawiatury, myszy i monitora . . . . .	112
Podłączanie do zasilania . . . . .	112
Mocowanie wspornika podtrzymującego kabel zasilania. . . . .	113
Włączanie komputera . . . . .	113
Montaż osłony. . . . .	114
<b>Skonfiguruj system operacyjny . . . . .</b>	<b>114</b>
<b>Specyfikacja techniczna . . . . .</b>	<b>115</b>
 Indeks . . . . .	 119



# Funkcje systemu

Główne funkcje sprzętu i oprogramowania zainstalowanego w zestawie komputerowym:

- Jeden lub dwa procesory dwurdzeniowe Intel® Xeon® 5000.
- Obsługa symetrycznego wieloprzetwarzania (SMP), która jest dostępna w systemach z dwoma procesorami Intel Xeon. SMP znacznie poprawia ogólną wydajność systemu, dzieląc operacje procesora pomiędzy niezależne procesory. Aby móc korzystać z tej funkcji, konieczne jest posiadanie systemu operacyjnego obsługującego wieloprzetwarzanie.




**UWAGA:** W przypadku rozbudowy systemu poprzez zainstalowanie drugiego procesora konieczne będzie nabycie zestawów do rozbudowy i aktualizacji procesora od dostawcy. Nie wszystkie wersje procesorów Intel Xeon będą prawidłowo funkcjonować jako procesory dodatkowe. Zestaw do rozbudowy i aktualizacji zawiera prawidłową wersję procesora, radiator oraz wentylator, jak również instrukcję dotyczącą rozbudowy i aktualizacji.


- Minimum 512 MB z 533 lub 667 MHz (jeżeli dostępna) całkowicie buforowana pamięć DIMM (FBD), rozszerzalna do maksimum 48 GB poprzez zainstalowanie kombinacji modułów pamięci 256 MB, 512 MB, 1 GB, 2-GB lub 4 GB w dwunastu gniazdach przeznaczonych na moduły pamięci, dostępnych na płycie systemowej.

System posiada również funkcję pamięci nadmiarowej, która zapewnia oszczędność pamięci lub odbicie lustrzane pamięci. Każda z tych funkcji jest dostępna, jeżeli zainstalowanych jest osiem lub dwanaście identycznych modułów pamięci.

- Obsługa do dziesięciu 3,5 calowych wewnętrznych dysków twardych SCSI (SAS) lub SATA podłączanych szeregowo- podczas pracy urządzenia (osiem 3,5 calowych wewnętrznych dysków twardych z kartą płyty montażowej podłączaną podczas pracy urządzenia oraz obsługa dwóch dodatkowych dysków 3,5 calowych we wnękach peryferyjnych, korzystających z opcjonalnej karty płyty montażowej 1x2 flexbay).
- Wnęka peryferyjna obsługuje opcjonalny napęd optyczny i opcjonalny rezerwowy napęd taśmowy (TBU) o połówkowej wysokości. Napęd TBU o pełnej wysokości jest obsługiwany po usunięciu wspornika 1x2 flexbay.
- Opcjonalna pojedyncza stacja dyskietek 3,5 calowych o pojemności 1,44 MB.

- Opcjonalny napęd CD, DVD, lub kombinacja napędów CD-RW/DVD.
-  **UWAGA:** Urządzenia DVD są przeznaczone tylko dla danych.
- Przełącznik naruszenia obudowy, który informuje odpowiednie oprogramowanie do zarządzania systemem o otwarciu górnej pokrywy.
- Do dwóch zasilaczy 930-W podłączanych podczas pracy urządzenia w konfiguracji nadmiarowej 1 + 1.
- Sześć wentylatorów do chłodzenia systemu podłączanych podczas pracy urządzenia.

Płyta systemowa obejmuje następujące urządzenia:

- Sześć gniazd PCI umieszczonych w obudowie karty rozszerzeń. Gniazda 1 i 2 to 64-bitowe gniazda PCI-X o napięciu 3,3 V i częstotliwości 133 MHz; gniazdo 3 to gniazdo PCIe x8 o napięciu 3,3 V; gniazda od 4 do 6 to gniazda PCIe o napięciu 3,3 V. Gniazda kart rozszerzeń obsługują karty rozszerzeń o pełnej-wysokości i pełnej-długości. Gniazda PCIe obsługują karty rozszerzeń mające do 8 ścieżek.
- Jest to gniazdo PCI przeznaczone dla zintegrowanego złącza szyny hosta SAS lub opcjonalnej karty kontrolera RAID z 256 MB pamięci podręcznej i baterią RAID.
-  **UWAGA:** Uruchamianie systemu nie jest obsługiwane z urządzenia zewnętrznego podłączonego do adaptera SAS lub SCSI, w tym do SAS 5/E, PERC 5/E czy PERC 4e/DC. W celu uzyskania najnowszych informacji dotyczących uruchamiania systemu z urządzeń zewnętrznych proszę skontaktować się z pomocą techniczną.
- Dwa zintegrowane gigabitowe moduły kart sieciowych NIC dla sieci Ethernet, obsługujące prędkość transmisji danych 10-Mbps, 100-Mbps i 1000-Mbps.
- Dwa złącza kompatybilne z USB 2.0 (dwa z przodu i cztery z tyłu), obsługujące napęd dyskietek, napęd CD-ROM lub DVD-ROM, klawiaturę, mysz bądź dysk USB typu flash.
- Opcjonalny kontroler zdalnego dostępu (RAC) do zdalnego zarządzania systemami.

- Zintegrowany podsystem kompatybilny z grafiką VGA z kontrolerem grafiki ATI ES1000, 33-MHz PCI. Ten podsystem grafiki ma 16 MB pamięci DDR SDRAM dla grafiki (nie może być rozbudowany). Maksymalna rozdzielczość wynosi 1600 x 1200 z 64 tys. kolorów; grafika w kolorach rzeczywistych jest obsługiwana przy następujących rozdzielczościach: 640 x 480, 800 x 600, 1024 x 768, 1152 x 864 oraz 1280 x 1024. Gdy zainstalowany jest opcjonalny moduł RAC, rozdzielczość grafiki wynosi 1024 X 768.
- Obwód zarządzania systemami, który monitoruje działanie wentylatorów systemowych, jak również napięcie krytyczne i temperaturę krytyczną systemu. Obwód zarządzania systemami pracuje w połączeniu z oprogramowaniem do zarządzania systemami.
- Standardowy kontroler zarządzania zintegrowany z płytą systemową, z dostępem szeregowym.
- Złącza umieszczone na panelu tylnym obejmują jedno złącze szeregowo, jedno złącze karty grafiki, cztery złącza USB i dwa złącza kart NIC.
- Złącza na panelu przednim obejmują jedno złącze grafiki i dwa złącza USB.
- 1x5 diod LCD na panelu przednim dla identyfikatora (ID) systemu i komunikatów o błędach.
- Przycisk identyfikatora systemu na przednim i tylnym panelu.

Więcej informacji o poszczególnych funkcjach można znaleźć w sekcji „Specyfikacja techniczna” na stronie 115.

## Obsługiwane systemy operacyjne

- Microsoft® Windows Storage Server™ 2003 R2 Express Edition (x64)
- Microsoft Windows Storage Server 2003 R2 Workgroup Edition (x64)

## Inne przydatne informacje




**PRZESTROGA: Przewodnik z informacjami o produkcie dostarcza ważnych danych dotyczących bezpieczeństwa oraz informacji prawnych. Informacje dotyczące gwarancji mogą być zamieszczone w tym dokumencie lub dostarczone jako oddzielny dokument.**

- *Instrukcja instalacji stelażu* lub *Przewodnik instalacji stelażu* dostarczony wraz ze stelażem opisuje sposób instalacji systemu w stelażu.
- *Podręcznik użytkownika sprzętu* zawiera informacje o funkcjach systemu i opis sposobów rozwiązywania problemów zaistniałych podczas użytkowania systemu, a także instrukcje dotyczące instalacji lub wymiany elementów systemu. *Podręcznik użytkownika sprzętu* jest dostępny na płycie CD dostarczonej wraz z systemem lub przez dostawcę usług pomocy technicznej.
- Płyta CD dołączona do systemu zawiera dokumentację i narzędzia do konfiguracji systemu oraz zarządzania nim.
- Dane o wersji lub pliki readme mogą być dołączone do systemu w celu dostarczenia informacji o uaktualnieniach wprowadzonych w ostatniej chwili do systemu, dokumentacji lub zaawansowanych technicznie materiałów referencyjnych, przeznaczonych dla doświadczonych użytkowników lub personelu technicznego.


## Uzyskiwanie pomocy technicznej


W przypadku niezrozumienia procedur opisanych w tym podręczniku lub jeśli system nie działa zgodnie z oczekiwaniami, należy zapoznać się z *Podręcznikiem użytkownika sprzętu*.

## Instalacja i konfiguracja

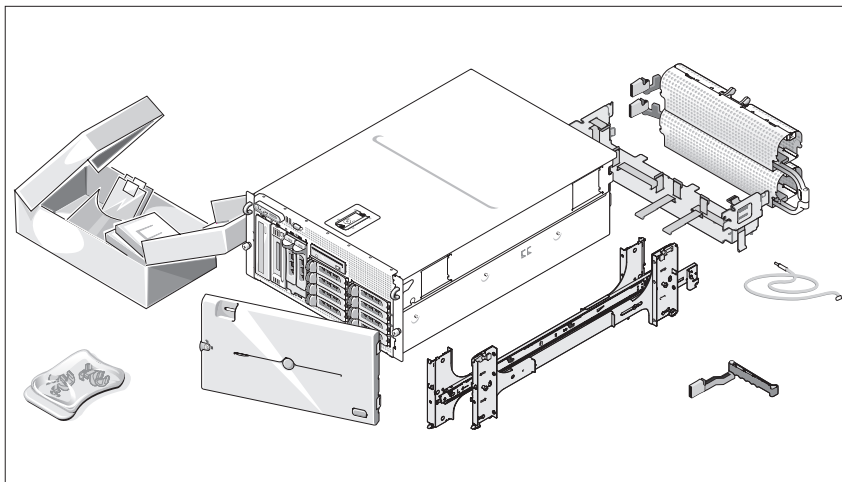
 **PRZESTROGA:** Przed wykonaniem poniższej procedury należy przeczytać instrukcje dotyczące bezpieczeństwa oraz ważne informacje prawne zamieszczone w *Przewodniku z informacjami o produkcji* oraz zastosować się do nich.

Ta sekcja opisuje czynności, które należy wykonać podczas konfigurowania systemu po raz pierwszy. Ilustracje przedstawiają system montowany w stelażu, ale informacje dotyczące procedur instalacyjnych odnoszą się w dużej mierze do zestawów wolnostojących. Zamiast do informacji dotyczących instalacji stelaża w punkcie 2 należy odnieść się do dokumentacji dostarczonej wraz z systemem, opisującej instalację stopek stabilizatora.

 **PRZESTROGA:** Montaż stopek w przypadku systemu wolnostojącego jest niezbędny dla zapewnienia mu stabilności. Niezainstalowanie stopek stwarza ryzyko przewrócenia się zestawu, co może spowodować obrażenia cieleśne lub uszkodzenie systemu.

 **PRZESTROGA:** Za każdym razem, gdy konieczne jest podniesienie zestawu, należy skorzystać z pomocy drugiej osoby. Aby uniknąć obrażeń, nie należy próbować podnosić zestawu samodzielnie.

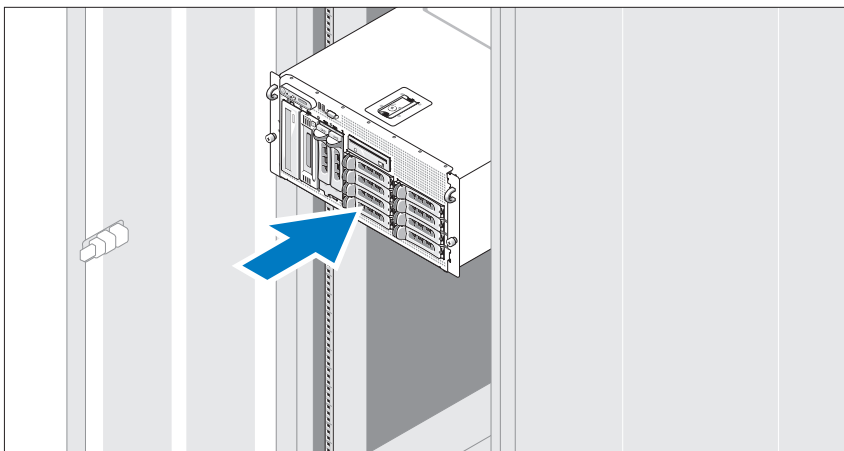
## Rozpakowanie zestawu komputerowego



- 1** Rozpakuj zestaw i zidentyfikuj jego poszczególne elementy.  
Zachowaj wszystkie opakowania na wypadek, gdyby były później potrzebne.



## Instalowanie prowadnic i systemu w stelażu

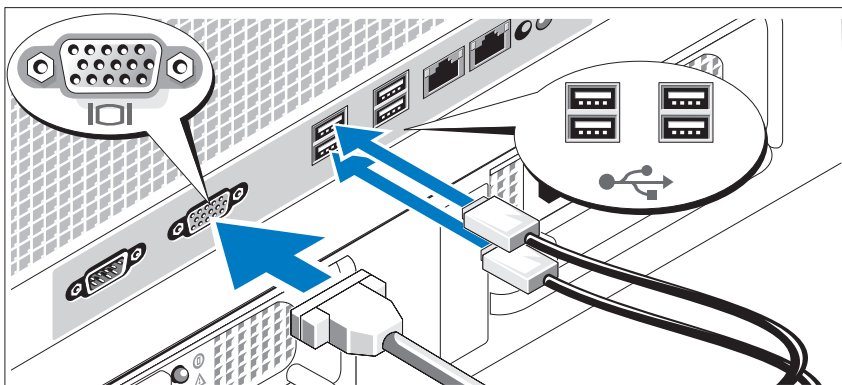


- 2 Po przeczytaniu „Instrukcji dotyczących bezpieczeństwa”, przedstawionych w dokumentacji instalacyjnej stelaża przeznaczonego dla systemu, zainstaluj na stelażu prowadnice oraz zestaw.

W celu uzyskania instrukcji dotyczących montowania zestawu w stelażu należy przejrzeć dokumentację dotyczącą montowania w stelażu.

W przypadku systemu w formie wieży należy zapoznać się z dokumentacją dostarczoną wraz z systemem oraz przeczytać informacje o tym, jak należy instalować stopki stabilizatora.

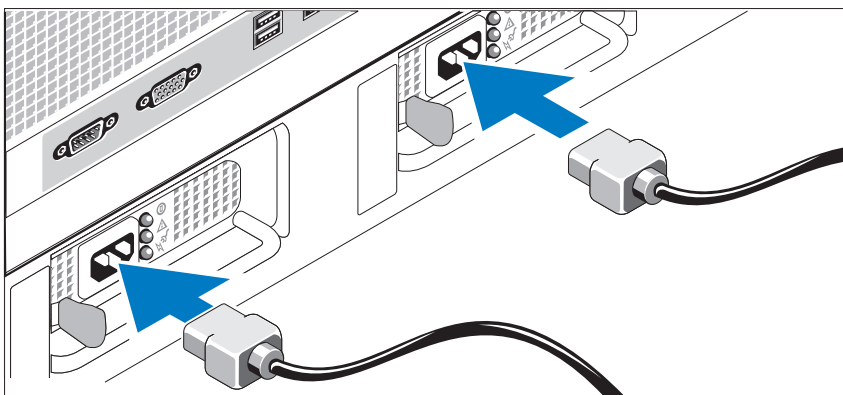
## Podłączanie klawiatury, myszy i monitora



- 3** Podłącz klawiaturę, mysz i monitor (opcjonalnie).

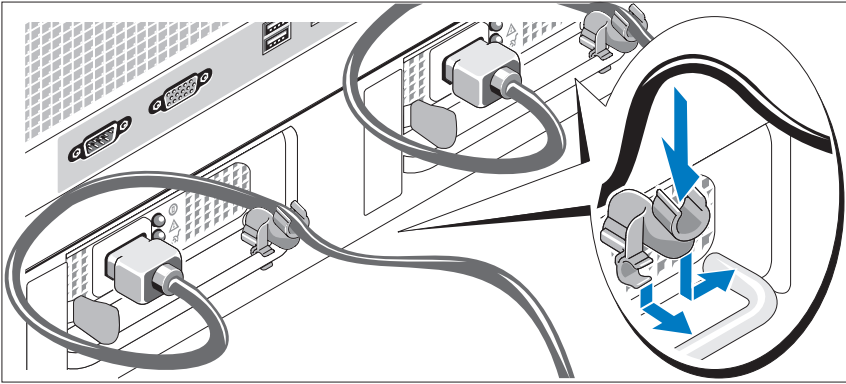
Złącza w tylnej części zestawu oznaczone są ikonami, wskazującymi kabel, który należy podłączyć do każdego złącza. Należy się upewnić, że dokręcone są śruby na złączu kabla monitora (o ile występują).

## Podłączanie do zasilania



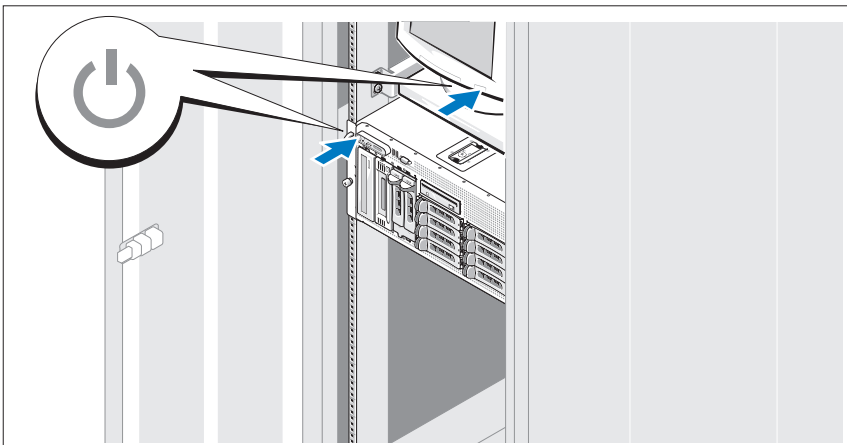
- 4** Podłącz kabel (kable) zasilania systemu do komputera.
- 5** Teraz podłącz drugą końcówkę kabla do uziemionego gniazdka elektrycznego lub innego źródła zasilania, np. do zasilacza bezprzerwowego (UPS) lub jednostki rozdziału zasilania (PDU).

## Mocowanie wspornika podtrzymującego kabel zasilania



- 6 Podłącz wspornik podtrzymujący kabel zasilania do prawego wężła na uchwycie zasilacza. Utwórz na kablu zasilacza pętlę w taki sposób, jak pokazano na ilustracji i przymocuj ją do zacisku kabla na wsporniku. Powtórz te czynności dla drugiego zasilacza.

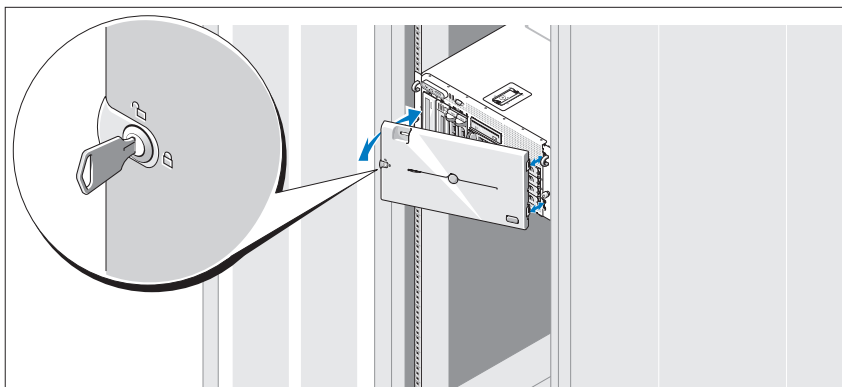
## Włączanie komputera



- 7 Włącz komputer i monitor (opcjonalnie).

Naciśnij przyciski zasilania komputera i monitora. Powinny zaświecić się wskaźniki zasilania. Wyreguluj ustawienia monitora aż do uzyskania odpowiedniego obrazu.

## Montaż osłony



- 8 Zamontuj osłonę (opcjonalnie).

## Skonfiguruj system operacyjny

W przypadku zakupienia systemu operacyjnego zainstalowanego fabrycznie zapoznaj się z dokumentacją systemu operacyjnego dostarczoną wraz z komputerem. Jeśli system operacyjny jest instalowany po raz pierwszy, należy zapoznać się z *Podręcznikiem szybkiej instalacji*. Przed instalacją sprzętu lub oprogramowania niezakupionego wraz z zestawem należy upewnić się, czy w komputerze został zainstalowany system operacyjny.

# Specyfikacja techniczna

---

## Procesor

---

Typ procesora	jeden procesor lub sekwencja dwóch procesorów dwurdzeniowych Intel Xeon 5000
---------------	--

---

## Szyna rozszerzeń

---

Typ szyny	PCI, PCI-X, PCIe
-----------	------------------

---

## Gniazda rozszerzeń

PCI-X	dwa o pełnej wysokości i pełnej długości 3.3-V, 64-bitowe, 133-MHz (gniazdo 1 i 2)
PCIe	jedno gniazdo na kartę x8 o napięciu 3,3 V (gniazdo 3) trzy gniazda na kartę x4 o napięciu 3,3 V (gniazda od 4 do 6)

---

## Pamięć

---

Architektura	całkowicie buforowana pamięć DIMM (FBD) o częstotliwości 533 lub 667 MHz (jeżeli jest dostępna)
Gniazda modułów pamięci	dwanaście gniazd 240-pinowych
Pojemności modułów pamięci	256 MB, 512 MB, 1 GB, 2 GB lub 4 GB
Min. pojemność pamięci RAM	512 MB (dwa moduły 256-MB)
Maks. pojemność pamięci RAM	48 GB

---

## Napędy

---

Dyski twarde	do dziesięciu 3,5 calowych dysków wewnętrznych SAS lub SATA podłączanych podczas pracy urządzenia <ul style="list-style-type: none"><li>• osiem napędów w wewnętrznej wnęcie napędu</li><li>• dwa napędy w opcjonalnym rozszerzeniu tablicy połączeń 1x2 flexbay</li></ul>
--------------	--

---

**Napędy** *(ciąg dalszy)*

---

Napęd dyskietek	jedna opcjonalna stacja dyskietek 3,5 calowych o pojemności 1,44 MB opcjonalny zewnętrzny 3,5 calowy napęd USB o pojemności 1,44 MB
Napęd optyczny	jeden opcjonalny napęd CD, DVD lub kombinacja napędów CD-RW/DVD <b>UWAGA:</b> Urządzenia DVD są przeznaczone tylko dla danych. opcjonalny zewnętrzny napęd CD-ROM typu USB opcjonalny zewnętrzny napęd DVD-ROM typu USB
Napęd dysku flash	zewnętrzny opcjonalny USB

---

**Złącza**

---

**Tylne**

Kontroler NIC	dwa złącza RJ-45 (dla zintegrowanej 1 GB karty NIC) typu TOE
Szeregowy	9-stykowy, DTE, zgodny z 16550
USB	cztery 4-stykowe, kompatybilne z USB 2.0
Grafika	15-stykowa karta VGA

**Przednie**

Grafika	15-stykowa karta VGA
USB	dwa 4-stykowe, kompatybilne z USB 2.0

---

**Grafika**

---

Typ grafiki	kontroler grafiki ATI ES1000, złącza VGA
Pamięć grafiki	pamięć DDR SDRAM o pojemności 16 MB

---

## Zasilanie

---

### Zasilacz prądu zmiennego (na zasilacz)

Moc	930 W
Napięcie	90–264 VAC, automatyczne dopasowywanie zakresu, 47-63 Hz
Emisja ciepła	maksymalnie 2697 BTU/godz.
Maksymalne natężenie prądu przy włączeniu	przy typowym zasilaniu i w całym dozwolonym zakresie warunków pracy systemu natężenie prądu przy włączeniu może osiągnąć 55 A na zasilacz przez 10 ms lub krócej

### Baterie

Bateria systemowa	litowo-jonowa bateria pastylkowa CR2032 o napięciu 3,0 V
Bateria RAID (opcjonalna)	litowo-jonowa o napięciu 4,1 V

---

## Cechy fizyczne

---

### Stelaż

Wysokość	21,77 cm (8,57 cala)
Szerokość	44,27 cm (17,43 cala) tylko w obudowie 48,27 cm (19 cali) z flanszami stelaża
Głębokość	66,13 cm (26,04 cala) nie obejmuje panelu sterowania ani osłony; panel sterowania dodaje 1,3 cm (0,51 cala)
Waga (przy maksymalnej konfiguracji)	45,36 kg (100 funtów)

### Wieża (bez osłony)

Wysokość	47,89 cm (18,85 cala) z podstawką, bez rolek
Szerokość	22,66 cm (8,92 cala)
Głębokość	66,13 cm (26,04 cala) nie obejmuje panelu sterowania ani osłony; panel sterowania dodaje 1,3 cm (0,51 cala)
Waga (przy maksymalnej konfiguracji)	49,9 kg (110 funtów)

---

## Warunki otoczenia

---

**UWAGA:** W celu uzyskania dodatkowych informacji o warunkach otoczenia dla określonych konfiguracji systemu należy skontaktować się z pomocą techniczną.

### Temperatura

Podczas eksploatacji	od 10° do 35°C (od 50° do 95°F)
Podczas przechowywania	od -40° do 65°C (od -40° do 149°F)

### Wilgotność względna

Podczas eksploatacji	od 20% do 80% (bez kondensacji) przy maksymalnym gradiencie wilgotności wynoszącym 10% na godzinę
Podczas przechowywania	5% do 95% (bez kondensacji)

### Maksymalne drgania

Podczas eksploatacji	0,26 G od 5 do 350 Hz przez 2 minuty na osi Z
Podczas przechowywania	1,54 G od 10 do 250 Hz przez 15 minut we wszystkich kierunkach

### Maksymalne wstrząsy

Podczas eksploatacji	jeden wstrząs na dodatniej osi Z (jeden wstrząs po każdej stronie systemu) o sile 41 G przez maksymalnie 2 ms
Podczas przechowywania	sześć kolejnych wstrząsów na dodatnich i ujemnych osiach X, Y i Z (jeden wstrząs po każdej stronie systemu) o sile 71 G przez maksymalnie 2 ms

### Wysokość n.p.m.

Podczas eksploatacji	od -16 do 3048 m (od -50 do 10 000 stóp)
Podczas przechowywania	od -16 do 10 600 m (od -50 do 35 000 stóp)

---



# Indeks

## F

- funkcje systemu, 105
  - karta kontrolera zdalnego dostępu, 106
  - karty sieciowe NIC, 106
  - kontroler grafiki, 107
  - napęd CD, 106
  - napęd DVD, 106
  - napęd dyskietek, 105
  - pamięć, 105
  - procesory, 105
  - symetryczne wieloprzetwarzanie (SMP), 105
  - USB, 106
  - zasilacz, 106

## I

- instalacja i konfiguracja, 109

## K

- karta kontrolera RAID, 106
- karta kontrolera zdalnego dostępu, 106
- karty sieciowe NIC, 106
- kombinacja napędów CD-RW/DVD, 106
- kontroler grafiki, 107
- kontroler zdalnego dostępu
  - zdalne zarządzanie systemami, 106

## O

- obsługiwane systemy operacyjne, 108
- obudowa karty rozszerzeń, 106

## P

- pamięć, 105
  - przeplatanie, 105
- pomoc techniczna, 109
- procesory, 105

## S

- specyfikacja techniczna, 115
- symetryczne wieloprzetwarzanie (SMP), 105

## Z

- zdalne zarządzanie systemami
  - karta kontrolera zdalnego dostępu, 106



Системы Dell™  
PowerVault™ 600

Начало работы  
с системой

Модель MVT01



## Примечания, замечания и предупреждения



**ПРИМЕЧАНИЕ:** ПРИМЕЧАНИЕ содержит важную информацию, которая поможет использовать компьютер более эффективно.



**ВНИМАНИЕ:** Подзаголовок ВНИМАНИЕ указывает на возможность повреждения оборудования или потери данных и объясняет, как этого избежать.



**ПРЕДУПРЕЖДЕНИЕ:** Подзаголовок ПРЕДУПРЕЖДЕНИЕ указывает на потенциальную опасность повреждения, получения легких травм или угрозу для жизни.

---

**Информация, содержащаяся в данном документе, может быть изменена без предварительного уведомления.**

© Корпорация Dell Inc., 2007. Все права защищены.

Воспроизведение любой части данного документа любым способом без письменного разрешения корпорации Dell Inc. строго воспрещается.

Торговые марки, упомянутые в данном документе: *Dell*, логотип *DELL* и *PowerVault* являются торговыми марками Dell Inc.; *Intel Core* и *Core 2 Duo* являются торговыми марками, а *Intel*, *Pentium* и *Xeon* — зарегистрированными торговыми марками Intel Corporation в США и других странах; *Microsoft*, *Windows* и *Windows Storage Server* являются торговыми марками или зарегистрированными торговыми марками корпорации Майкрософт в США и (или) других странах.

Остальные товарные знаки и торговые наименования могут использоваться в этом руководстве для обозначения компаний, заявляющих права на товарные знаки и наименования, или продуктов этих компаний. Корпорация Dell Inc. не заявляет прав ни на какие товарные знаки и наименования, кроме собственных.

Модель MVT01

Сентябрь 2007 г.

P/N CX202

Ред. A00

# Содержание

<b>Характеристики системы . . . . .</b>	<b>125</b>
<b>Поддерживаемые операционные системы . . . . .</b>	<b>127</b>
<b>Дополнительная полезная информация . . . . .</b>	<b>127</b>
<b>Получение технической поддержки . . . . .</b>	<b>128</b>
<b>Установка и конфигурирование. . . . .</b>	<b>128</b>
Распаковка системы . . . . .	129
Установка направляющих кронштейнов и системы в стойку . . . . .	130
Подключение клавиатуры, мыши и монитора . . . . .	131
Подключение питания . . . . .	131
Установка кронштейна фиксации шнура питания . . . . .	132
Включение системы . . . . .	132
Установка лицевой панели . . . . .	133
<b>Завершение установки операционной системы . . . . .</b>	<b>133</b>
<b>Технические характеристики . . . . .</b>	<b>134</b>
<b>Указатель . . . . .</b>	<b>139</b>



# Характеристики системы

Ниже перечислены основные характеристики аппаратного и программного обеспечения системы.

- Один или два двоядерных процессора Intel® Xeon® серии 5000.
- Поддержка симметричной многопроцессорной обработки (SMP), реализованной в системах с двумя процессорами Intel Xeon. SMP значительно повышает общую производительность системы благодаря распределению вычислительных операций между двумя независимыми процессорами. Чтобы воспользоваться преимуществами этой функции, необходима операционная система, поддерживающая многопроцессорную обработку.



**ПРИМЕЧАНИЕ:** Если необходимо модернизировать систему и установить второй процессор, следует заказать комплект для процессорной модернизации у своего поставщика. Не все версии процессоров Intel Xeon корректно работают в качестве дополнительных процессоров. В комплект для модернизации входит процессор подходящей версии, радиатор и вентилятор, а также инструкции по проведению модернизации.

- Не менее 512 Мб памяти с частотой 533 или 667 МГц (если доступна), модули DIMM с полной буферизацией, возможность наращивания до 48 Гб путем установки комбинаций модулей памяти объема 256 Мб, 512 Мб, 1 Гб, 2-Гб или 4 Гб в двенадцати гнездах для модулей памяти на системной плате.

Кроме того, система характеризуется наличием избыточной памяти, что обеспечивает резервирование или зеркальное отображение памяти. Каждая из этих возможностей доступна только в случае установки двенадцати идентичных модулей памяти.

- Поддержка до десяти 3,5-дюймовых внутренних жестких дисков SAS или SATA с возможностью «горячей» замены (восемь 3,5-дюймовых устройств с объединительной платой, подключаемой в «горячем» режиме, и поддержка двух дополнительных 3,5-дюймовых устройств в периферийном отсеке, подключаемых с помощью дополнительной объединительной платы 1x2 FlexBay).
- Периферийный отсек обеспечивает поддержку дополнительного дисковод оптических дисков и ленточного накопителя для резервного копирования половинной высоты. После удаления кронштейна 1x2 FlexBay возможна поддержка ленточного накопителя полной высоты.
- Один дополнительный дисковод гибких дисков (1,44 Мб, 3,5 дюйма).
- Одно дополнительные дисковод компакт- или DVD-дисков или комбинированное устройство CD-RW/DVD.



**ПРИМЕЧАНИЕ:** Дисководы DVD предназначены только для данных.

- Детектор открытия корпуса, сигнализирующий соответствующему программному обеспечению управления системой о том, что открыта верхняя крышка.
- До двух блоков питания мощностью 930 Вт с возможностью горячей замены в конфигурации с резервированием 1 + 1.
- Шесть вентиляторов охлаждения системы с возможностью горячей замены.

Ниже указаны компоненты, имеющиеся на системной плате.

- Шесть разъемов PCI, расположенных в каркасе платы расширения. Разъемы 1 и 2 – 64-разрядные разъемы PCI-X с питанием 3,3 В и частотой 133 МГц, разъем 3 – 8-канальный разъем PCIe, разъемы 4–6 – 4-канальные разъемы PCIe с питанием 3,3 В. Разъемы для плат расширения позволяют устанавливать платы расширения полной-высоты и полной-длины. Разъемы PCIe совместимы с платами расширения с 8 каналами и менее.
- Выделенный разъем PCI для интегрированного HBA-адаптера SAS или дополнительной платы интегрированного контроллера с 256 Мб кэш-памяти и батареей RAID.



**ПРИМЕЧАНИЕ:** Не поддерживается загрузка системы с внешних устройств, подключенных к адаптеру SAS или SCSI, включая SAS 5/E, PERC 5/E или PERC 4e/DC. Дополнительную информацию о поддержке загрузки системы с внешних устройств можно получить, обратившись к поставщику услуг технической поддержки.

- Два встроенных контроллера сетевого интерфейса Gigabit Ethernet, обеспечивающие поддержку скоростей передачи 10 Мбит/с, 100 Мбит/с и 1000-Мбит/с.
- Шесть разъемов, совместимых со стандартом USB 2.0 (два на передней и четыре на задней панели), обеспечивающие поддержку дисков гибких дисков, дисководов компакт-дисков, мыши или флэш-памяти USB.
- Дополнительный контроллер удаленного доступа RAC для удаленного управления системой.
- Встроенная VGA-совместимая видеоподсистема с видеоконтроллером ATI ES1000 на шине PCI с частотой 33-МГц. Содержит 16 Мб видеопамати DDR SDRAM (без возможности модернизации). Максимальное разрешение 1600x1200 при 64 000 цветах; поддерживается отображение в естественных цветах при следующих разрешениях: 640 x 480, 800 x 600, 1024 x 768, 1152 x 864 и 1280 x 1024. Если установлен дополнительный контроллер RAC, используется разрешение видеоподсистемы 1024 X 768.



- Схема управления системой, следящая за работой вентиляторов, а также за напряжением питания и рабочей температурой системы. Схема управления системой работает совместно с программным обеспечением системного управления.
- Стандартный контроллер управления материнской платой с последовательным доступом.
- На задней панели присутствуют разъем последовательного порта, видеоразъем, четыре USB-разъема и два разъема сетевых интерфейсных карт.
- На передней панели имеются видеоразъем и два разъема USB.
- 1x5 ЖК-дисплей на передней панели для отображения системного идентификатора и сообщений об ошибках.
- Кнопка отображения системного идентификатора на передней и задней панелях.

Более подробную информацию об отдельных компонентах см. в разделе «Технические характеристики» на странице 134.

## Поддерживаемые операционные системы

- Microsoft® Windows Storage Server™ 2003 R2 Express Edition (x64)
- Microsoft® Windows Storage Server 2003 R2 Workgroup Edition (x64)

## Дополнительная полезная информация



**ПРЕДУПРЕЖДЕНИЕ:** В документе *Информационное руководство по продуктам* приведены важные сведения о безопасности, а также нормативная информация. Гарантийная информация может включаться в состав данного документа или быть представлена в отдельном документе.


- Документ *Rack Installation Instructions* (Инструкции по установке в стойку) или *Rack Installation Guide* (Руководство по установке в стойку), поставляемые со стойкой, описывают процедуру монтажа системы в стойку.
- В документе *Руководство по эксплуатации оборудования* представлена информация о характеристиках системы и описан порядок поиска и устранения неисправностей системы и установки или замены ее компонентов. Документ *Руководство по эксплуатации оборудования* можно найти на компакт-дисках, поставляемых вместе с системой, или у поставщика услуг технической поддержки.

- На компакт-дисках, поставляемых вместе с системой, содержатся программные средства для настройки системы и управления ею, а также соответствующая документация.
- В комплект поставки могут включаться заметки о выпуске или файлы Readme, содержащие описание последних обновлений и изменений системы или документации, а также дополнительную справочную техническую информацию, предназначенной для опытных пользователей и технических специалистов.


## Получение технической поддержки


В случае непонимания приведенной в настоящем руководстве процедуры или неправильной работы системы см. документ *Руководство пользователя оборудования*.

## Установка и конфигурирование

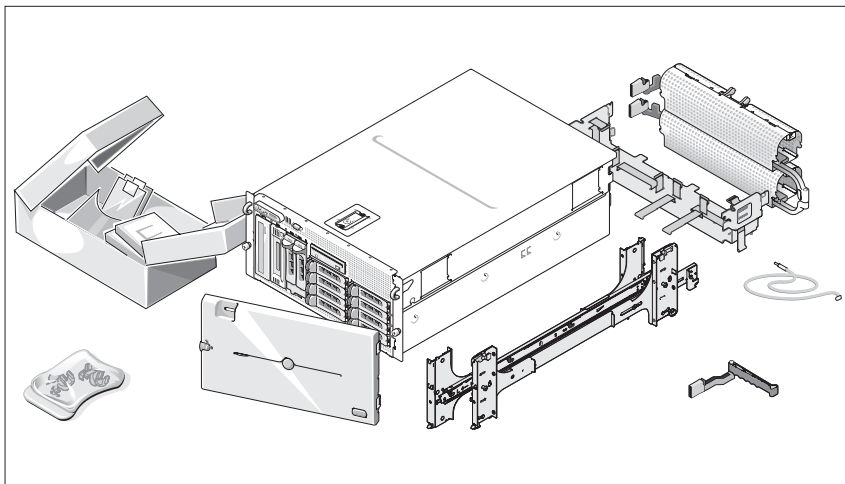
 **ПРЕДУПРЕЖДЕНИЕ:** Перед выполнением описанных ниже процедур ознакомьтесь с инструкциями по технике безопасности и важной нормативной информацией, содержащейся в документе *Информационное руководство по продуктам*.

В данном разделе описываются действия по первоначальной установке системы. На представленных ниже рисунках показана система, смонтированная в стойке. Однако приведенная процедура установки применима к большей части систем с отдельным корпусом. Вместо действия 2 по установке системы в стойку см. описание установки стабилизирующих опор в документации, поставляемой вместе с системой.

 **ПРЕДУПРЕЖДЕНИЕ:** Установка такой опоры для систем отдельным корпусом необходима для обеспечения устойчивого фундамента системы. Отсутствие опор повышает риск опрокидывания системы, что может повредить систему или вызывать телесные повреждения.

 **ПРЕДУПРЕЖДЕНИЕ:** Для поднятия системы необходимо прибегнуть к помощи других лиц. Во избежание телесных повреждений не пытайтесь поднимать систему самостоятельно.

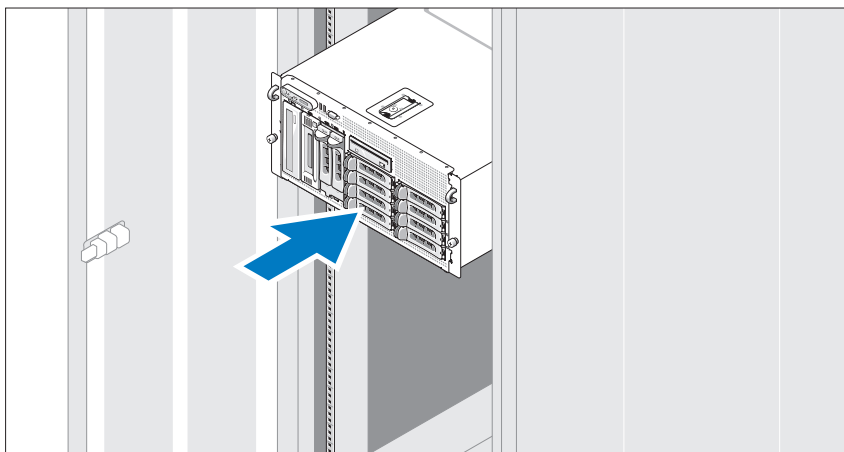
## Распаковка системы



- 1 Распакуйте систему и идентифицируйте каждый компонент.

Сохраните все упаковочные материалы, так как они могут понадобиться в дальнейшем.

## Установка направляющих кронштейнов и системы в стойку

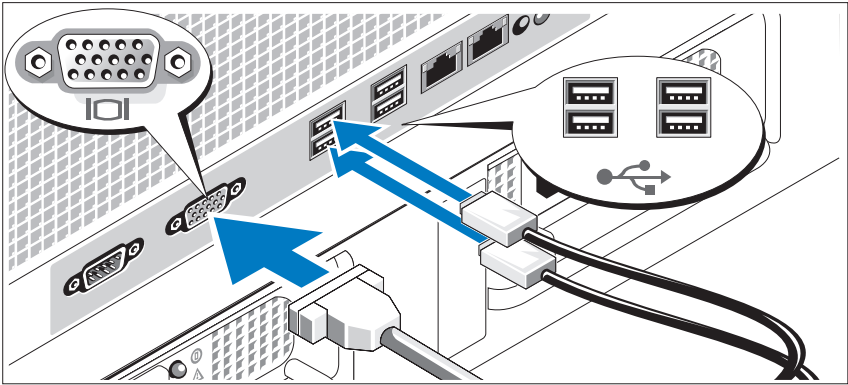


- 2 Ознакомьтесь с «Инструкциями по технике безопасности», представленными в документации по установке системы в стойку, а затем установите направляющие и систему в стойку.

Инструкции по монтажу системы в стойку можно найти в документации по монтажу в стойку.

Описание установки стабилизирующих опор для систем с отдельным корпусом см. в документации, предоставляемой вместе с системой.

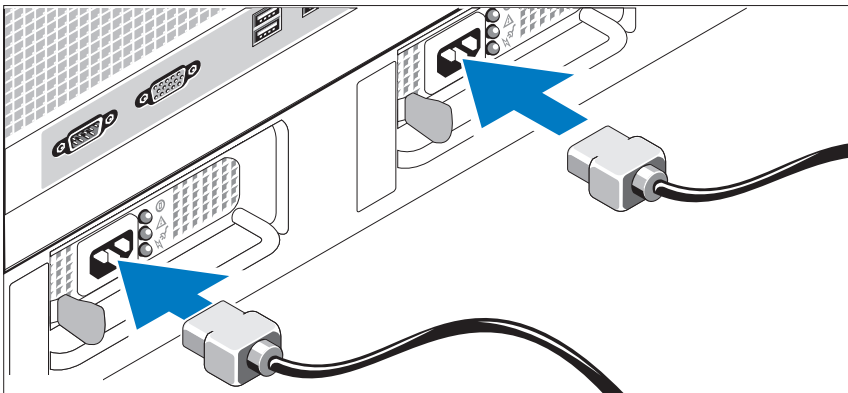
## Подключение клавиатуры, мыши и монитора



- 3** Подключите клавиатуру, мышь и монитор (дополнительный).

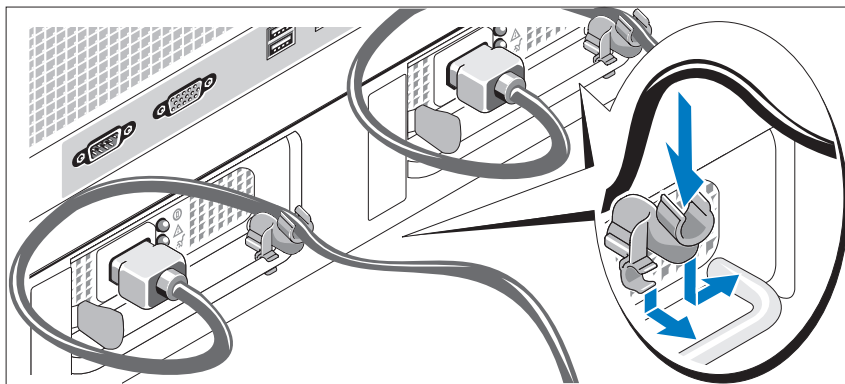
Разъемы на задней панели системы снабжены значками, позволяющими определить правильное подключение кабелей. На разьеме кабеля монитора необходимо затянуть винты (если они имеются).

## Подключение питания



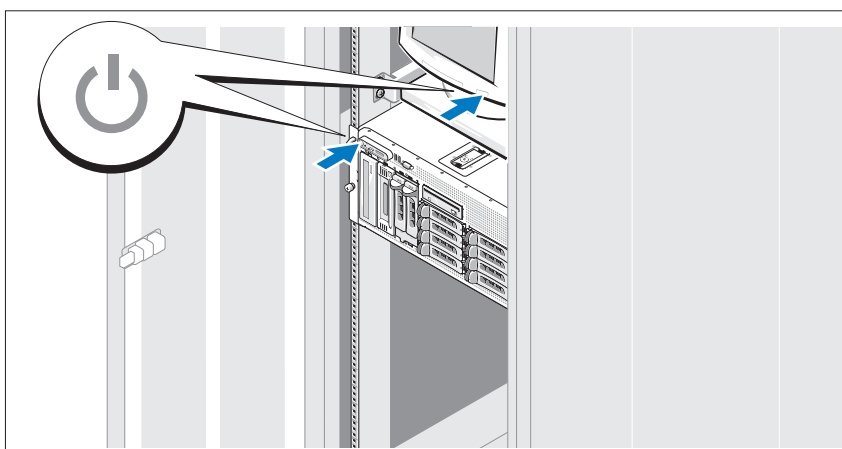
- 4** Подсоедините шнуры питания к системе.
- 5** Подключите другой конец шнура к заземленной розетке или отдельному источнику питания, например, к источнику бесперебойного питания или блоку распределения питания.

## Установка кронштейна фиксации шнура питания



- 6 Прикрепите кронштейн фиксации на правом изгибе рукоятки разъема шнура питания. Согните системный шнур питания в петлю (см. рисунок) и прикрепите его к кабельному зажиму кронштейна. Повторите данную процедуру со вторым источником питания.

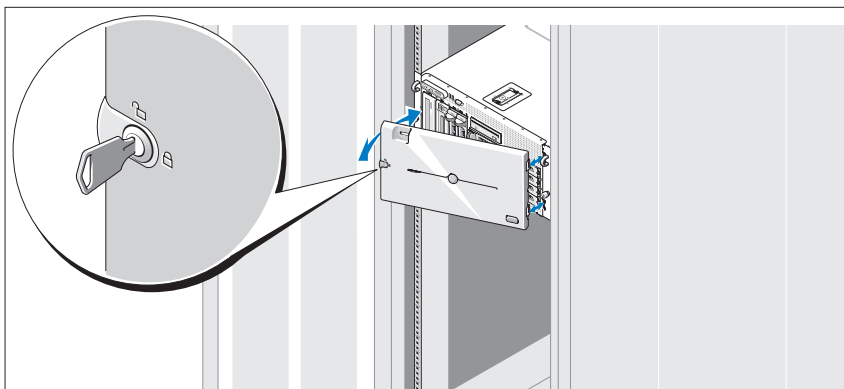
## Включение системы



- 7 Включите систему и монитор (дополнительный).

Нажмите кнопку питания системы и монитора. Должны включиться индикаторы питания. С помощью элементов управления монитора отрегулируйте качество изображения.

## Установка лицевой панели



- 8 Установите лицевую панель (дополнительную).

## Завершение установки операционной системы

Если компьютер приобретен с предустановленной операционной системой, см. соответствующую документацию, поставляемую вместе с компьютером. Описание первоначальной установки операционной системы см. в документе *Справочное руководство для быстрой установки*. Операционная система должна быть установлена до установки аппаратного или программного обеспечения, которое не было приобретено вместе с системой.

# Технические характеристики

---

## Процессор

---

Тип процессора	Один или два двоядерных процессора Intel Xeon серии 5000
----------------	--

---

## Шина расширения

---

Тип шины	PCI, PCI-X, PCIe
----------	------------------

---

## Разъемы расширения

PCI-X	Два 64-битных разъема с полным форм-фактором, питанием 3,3 В и тактовой частотой 133-МГц (разъемы с номерами 1 и 2)
PCIe	Один 8-канальный разъем (№ 3) с питанием 3,3 В три 4-канальных разъема (№№ 4-6) с питанием 3,3 В

---

## Память

---

Архитектура	Модули DIMM с полной буферизацией, частота 533 или 667 МГц (если доступно)
Разъемы для модулей памяти	Двенадцать 240-контактных разъемов
Емкость модулей памяти	256 Мб, 512 Мб, 1 Гб, 2 Гб или 4 Гб
Минимальный объем оперативной памяти	512 Мб (два модуля по 256 Мб)
Максимальный объем оперативной памяти	48 Гб

---

## Накопители

---

Жесткие диски	До десяти 3,5-дюймовых внутренних дисков SAS или SATA с возможностью «горячей» замены <ul style="list-style-type: none"><li>• восемь дисков во внутреннем отсеке для дисков</li><li>• два диска в дополнительной объединительной платы 1x2 FlexBay</li></ul>
Дисковод гибких дисков	Один дополнительный 3,5-дюймовый дисковод гибких дисков емкостью 1,44 Мб внешний дополнительный 3,5-дюймовый USB-дисковод гибких дисков емкостью 1,44 Мб



---

## Накопители (Продолжение)

---

Дисковод оптических дисков	Один дополнительный ДИСКОВОД КОМПАКТ- или DVD-дисков или комбинированное устройство CD-RW/DVD <b>ПРИМЕЧАНИЕ:</b> Дисководы DVD предназначены только для данных. Внешний дополнительный USB-дисковод компакт-дисков Внешний дополнительный USB-дисковод DVD-дисков
Флэш-устройство	Внешнее дополнительное устройство с USB-интерфейсом

---

## Разъемы

---

### Задняя панель

NIC (контроллер сетевого интерфейса)	Два разъема RJ-45 (для встроенных сетевых интерфейсных карт, 1 гигабит) с поддержкой TOE
Последовательный	9-контактный DTE-разъем, совместимый с 16550
USB	Четыре 4-контактных разъема, совместимых с USB 2.0
Видео	15-контактный VGA

### Передняя панель

Видео	15-контактный VGA
USB	Два 4-контактных, совместимых с USB 2.0

---

## Видео

---

Тип видео	Видеоконтроллер ATI ES1000; VGA-разъемы
Видеопамять	DDR SDRAM на 16 Мб

---

## Электропитание

---

### Источник питания переменного тока (для каждого блока питания)

Мощность	930 Вт
Напряжение	90–264 В переменного тока, функция автоматического переключения диапазонов измерений, 47–63 Гц
Теплоотдача	Максимум 2697 ВТУ/ч

---

## Электропитание (Продолжение)

---

Максимальный бросок тока	В условиях стандартного электропитания и нормальных условий окружающей среды системы бросок тока может достигать не более 55 А на блок питания в течение не более 10 мс.
--------------------------	--

### Аккумуляторы

Системный аккумулятор	Круглый ионно-литиевый CR 2032, 3,0 В
Батарея RAID (дополнительно)	Ионно-литиевый (4,1 В)

---

## Габаритные размеры

---

### Стойка

Высота	21,77 см (8,57 дюйма)
Ширина	44,27 см (17,43 дюйма), только корпус 48,27 см (19 дюймов) с фланцами стойки
Глубина	66,13 см (26,04 дюйма), не включая панель управления или лицевую панель; панель управления добавляет еще 1,3 см (0,51 дюйма)
Масса (макс. конфигурация)	45,36 кг (100 фунтов)

### Корпус в виде вертикального блока (без лицевой панели)

Высота	47,89 см (18,85 дюйма), с опорами, без роликов
Ширина	22,66 см (8,92 дюйма)
Глубина	66,13 см (26,04 дюйма), не включая панель управления или лицевую панель; панель управления добавляет еще 1,3 см (0,51 дюйма)
Масса (макс. конфигурация)	49,9 кг (110 фунтов)

---

## Требования к окружающей среде

---

**ПРИМЕЧАНИЕ:** Дополнительную информацию о параметрах окружающей среды для установки определенной конфигурации системы можно получить у вашего поставщика услуг технической поддержки.

### Температура

Эксплуатация	От 10° до 35°C (от 50° до 95°C)
Хранение	От -40° до 65°C (от -40° до 149°C)

### Относительная влажность

Эксплуатация	от 20% до 80% (без конденсации) с максимальным изменением влажности на 10% в час.
Хранение	5% - 95% (без конденсата)

### Максимальная вибрация

Эксплуатация	0,26 G при частоте 5–350 Гц в течение 2 минут в направлении оси Z
Хранение	1,54 G при частоте от 10-250 Гц в течение 15 минут во всех направлениях

### Максимальная ударная нагрузка

Эксплуатация	Один ударный импульс 41 g длительностью не более 2 мс в положительном направлении по оси z (по одному импульсу с каждой стороны системы)
Хранение	Шесть последовательных ударных импульсов 71 g длительностью не более 2 мс в положительном и отрицательном направлениях по осям x, y и z (по одному импульсу с каждой стороны системы).

### Высота над уровнем моря

Эксплуатация	от -16 до 3048 м
Хранение	от -16 до 10 600 м

---



# Указатель

## В

видеоконтроллер, 126

## И

интегрированный  
RAID-контроллер, 126

## К

каркас платы расширения, 126

комбинированное устройство  
CD-RW/DVD, 125

контроллер удаленного доступа  
удаленное управление  
системой, 126

контроллеры сетевого  
интерфейса, 126

## П

память, 125  
чередование, 125

плата контроллера удаленного  
доступа, 126

поддержка операционных  
систем, 127

процессоры, 125

## С

симметричная  
многопроцессорная  
обработка (SMP), 125

## Т

техническая поддержка, 128

технические  
характеристики, 134

## У

удаленное управление системой  
плата контроллера удаленного  
доступа, 126

установка и настройка, 128

## **Х**

- характеристики системы, 125
  - блок питания, 126
  - видеоконтроллер, 126
  - дисковод гибких дисков, 125
  - дисковод DVD, 125
  - контроллеры сетевого интерфейса, 126
  - память, 125
  - плата контроллера удаленного доступа, 126
  - процессоры, 125
  - симметричная
    - многопроцессорная обработка (SMP), 125
  - устройство чтения компакт-дисков, 125
  - USB, 126

Sistemas Dell™  
PowerVault™ 600

**Procedimientos iniciales  
con el sistema**

Modelo MVT01



# Notas, avisos y precauciones



**NOTA:** una NOTA proporciona información importante que le ayudará a utilizar mejor el ordenador.



**AVISO:** un AVISO indica la posibilidad de daños en el hardware o la pérdida de datos, e informa de cómo evitar el problema.



**PRECAUCIÓN:** un mensaje de PRECAUCIÓN indica el riesgo de daños materiales, lesiones o incluso la muerte.

---

**La información contenida en este documento puede modificarse sin previo aviso.**

**© 2007 Dell Inc. Todos los derechos reservados.**

Queda estrictamente prohibida la reproducción de este documento en cualquier forma sin la autorización por escrito de Dell Inc.

Marcas comerciales utilizadas en este texto: *Dell*, el logotipo de *DELL* y *PowerVault* son marcas comerciales de Dell Inc.; *Intel Core* y *Core 2 Duo* son marcas comerciales e *Intel*, *Pentium* y *Xeon* son marcas comerciales registradas de Intel Corporation en los Estados Unidos y en otros países; *Microsoft*, *Windows* y *Windows Storage Server* son marcas comerciales o marcas comerciales registradas de Microsoft Corporation en los Estados Unidos o en otros países.

Otras marcas y otros nombres comerciales pueden utilizarse en este documento para hacer referencia a las entidades que los poseen o a sus productos. Dell Inc. renuncia a cualquier interés sobre la propiedad de marcas y nombres comerciales que no sean los suyos.

Modelo MVT01

Septiembre de 2007

N/P CX202

Rev. A00



# Contenido

<b>Componentes del sistema</b> . . . . .	<b>145</b>
<b>Sistemas operativos admitidos</b> . . . . .	<b>147</b>
<b>Otra información útil.</b> . . . . .	<b>147</b>
<b>Obtención de asistencia técnica</b> . . . . .	<b>148</b>
<b>Instalación y configuración</b> . . . . .	<b>148</b>
Desembalaje del sistema . . . . .	149
Instalación de los rieles y del sistema en un rack . . . . .	150
Conexión del teclado, el ratón y el monitor . . . . .	151
Conexión de la alimentación . . . . .	152
Instalación del soporte de retención del cable de alimentación . . . . .	153
Encendido del sistema . . . . .	154
Instalación del embellecedor . . . . .	154
<b>Finalización de la instalación del sistema operativo</b> . . . . .	<b>155</b>
<b>Especificaciones técnicas</b> . . . . .	<b>155</b>
<b>Índice</b> . . . . .	<b>159</b>



# Componentes del sistema

Los principales componentes de hardware y software del sistema son:

- Uno o dos procesadores Intel® Xeon® de doble núcleo 5000 Sequence.
- Compatibilidad con SMP (multiprocesamiento simétrico), disponible en sistemas con dos procesadores Intel Xeon. SMP mejora en gran medida el rendimiento global del sistema al repartir las operaciones del procesador entre procesadores independientes. Para aprovechar esta característica, debe utilizar un sistema operativo que admita el multiprocesamiento.



**NOTA:** si decide actualizar el sistema instalando un segundo procesador, debe solicitar a su proveedor los kits de actualización del procesador. No todas las versiones del procesador Intel Xeon funcionarán correctamente como procesadores adicionales. El kit de actualización contiene la versión correcta del procesador, del disipador de calor y de los ventiladores, así como las instrucciones para llevar a cabo la actualización.

- Un mínimo de 512 MB en DIMM con búfer completo (FBD) a 533 o 667 MHz (si está disponible), ampliable a un máximo de 48 GB mediante la instalación de combinaciones de módulos de memoria de 256 MB, 512 MB, 1 GB, 2 GB o 4 GB en los doce zócalos de módulo de memoria de la placa base.

El sistema también dispone de memoria redundante, que puede utilizarse como sustitución de memoria o duplicación de memoria. Ambas características están disponibles si se instalan ocho o doce módulos de memoria idénticos.

- Soporte para hasta diez unidades de disco duro internas de 3,5 pulgadas y acoplamiento activo, de tipo SAS (SCSI de conexión serie) o SATA (ocho unidades de disco duro internas de 3,5 pulgadas con tarjeta de plano posterior de acoplamiento activo y soporte para dos unidades adicionales de 3,5 pulgadas y acoplamiento activo en el compartimiento para periféricos mediante la placa de plano posterior 1x2 Flexbay opcional).
- El compartimiento para periféricos permite alojar una unidad óptica opcional y una unidad opcional de copia de seguridad en cinta (TBU) de media altura. Se admite una TBU de altura completa cuando el soporte 1x2 Flexbay no está insertado.
- Una unidad opcional de disquete de 3,5 pulgadas y 1,44 MB.
- Una unidad opcional de CD, de DVD o combinada de CD-RW/DVD.



**NOTA:** los dispositivos de DVD son sólo de datos.

- Un interruptor de intrusión que indica el software de administración de sistemas adecuado si se abre la cubierta superior.
- Hasta dos fuentes de alimentación de 930 W de acoplamiento activo en una configuración redundante 1 + 1.
- Seis ventiladores de acoplamiento activo para la refrigeración del sistema.

La placa base incluye los componentes siguientes:

- Seis ranuras PCI ubicadas en una canastilla para tarjetas de expansión. Las ranuras 1 y 2 son PCI-X de 3,3 V y 64 bits a 133 MHz; la ranura 3 es PCIe x8 de 3,3 V, y las ranuras de la 4 a la 6 son PCIe x4 de 3,3 V. Las ranuras para tarjetas de expansión pueden alojar tarjetas de expansión de longitud y altura completas. Las ranuras PCIe admiten tarjetas de expansión hasta x8.
- Una ranura PCI dedicada para un adaptador de bus de host SAS integrado o una tarjeta controladora RAID integrada opcional con 256 MB de memoria caché y una batería RAID.



**NOTA:** no es posible iniciar el sistema desde un dispositivo externo conectado a un adaptador SAS o SCSI, incluidos SAS 5/E, PERC 5/E o PERC 4e/DC. Póngase en contacto con su proveedor de asistencia técnica para obtener la información de soporte más reciente sobre cómo iniciar el sistema desde dispositivos externos.

- Dos NIC Ethernet Gigabit integradas que admiten velocidades de datos de 10 Mbps, 100 Mbps y 1 000 Mbps.
- Seis conectores compatibles con USB 2.0 (dos en la parte frontal y cuatro en la parte posterior) que admiten una unidad de disquete, una unidad de CD-ROM o DVD-ROM, un teclado, un ratón o una unidad flash USB.
- Controladora de acceso remoto (RAC) opcional para la administración remota de sistemas.
- Un subsistema de vídeo integrado compatible con VGA con una controladora de vídeo PCI ATI ES1000 a 33 MHz. Este subsistema de vídeo contiene 16 MB de memoria de vídeo SDRAM DDR (no ampliable). La resolución máxima es de 1 600 x 1 200 con 64 000 colores; se admiten gráficos de color verdadero en las resoluciones siguientes: 640 x 480, 800 x 600, 1 024 x 768, 1 152 x 864 y 1 280 x 1 024. Cuando la RAC opcional está instalada, la resolución de vídeo es de 1 024 x 768.


- Circuitos de administración de sistemas que supervisan el funcionamiento de los ventiladores del sistema, así como los voltajes y temperaturas críticos del sistema. Los circuitos de administración de sistemas funcionan conjuntamente con el software de administración de sistemas.
- Controladora de administración de la placa base estándar con acceso serie.
- El panel posterior incluye un conector serie, uno de vídeo, cuatro USB y dos de NIC.
- En el panel frontal se incluyen un conector de vídeo y dos conectores USB.
- LCD de panel frontal 1x5 para la ID y los mensajes de error del sistema.
- Botón de ID del sistema en los paneles frontal y posterior.

Para obtener más información sobre componentes específicos, consulte “Especificaciones técnicas” en la página 155.

## Sistemas operativos admitidos

- Microsoft® Windows Storage Server™ 2003 R2 Express Edition (x64)
- Microsoft Windows Storage Server 2003 R2 Workgroup Edition (x64)

## Otra información útil

 **PRECAUCIÓN:** la *Guía de información del producto* contiene información importante sobre seguridad y normativas. La información sobre la garantía puede estar incluida en este documento o constar en un documento aparte.


- En los documentos *Instrucciones de instalación del rack* o *Guía de instalación del rack* incluidos con el rack se describe cómo instalar el sistema en un rack.
- En el *Manual del propietario del hardware* se proporciona información sobre los componentes del sistema y se describe cómo solucionar problemas del sistema e instalar o sustituir componentes. Puede obtener el *Manual del propietario del hardware* en los CD incluidos con el sistema o solicitarlo a su proveedor.

- Los CD que se facilitan con el sistema proporcionan documentación y herramientas para configurar y administrar el sistema.
- Es posible que se incluyan notas de la versión o archivos Léame para proporcionar actualizaciones de última hora relativas al sistema o a la documentación, o material de consulta técnica avanzada destinado a técnicos o usuarios experimentados.

## Obtención de asistencia técnica

Si no comprende algún procedimiento descrito en esta guía o si el sistema no funciona del modo esperado, consulte el *Manual del propietario del hardware*.

## Instalación y configuración

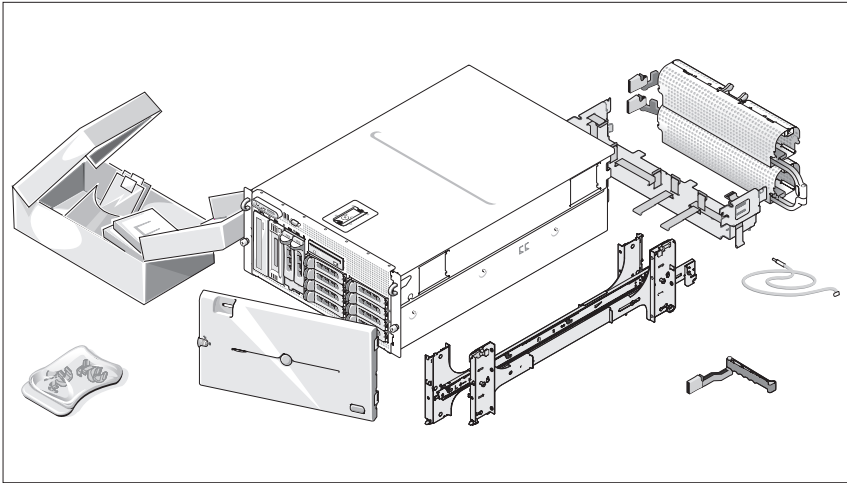
 **PRECAUCIÓN:** antes de realizar el procedimiento siguiente, lea y siga las instrucciones de seguridad y la información importante sobre normativas incluidas en la *Guía de información del producto*.

En esta sección se describen los pasos para configurar el sistema por primera vez. Las ilustraciones que se ven a continuación muestran un sistema de montaje en rack, pero el procedimiento de instalación se aplica en su mayoría a un sistema de torre independiente. Cuando se disponga a instalar el rack en el paso 2, consulte la documentación incluida con el sistema acerca de la instalación de los pies estabilizadores en el sistema.

 **PRECAUCIÓN:** es necesario instalar los pies estabilizadores en un sistema de torre independiente para proporcionar una base estable para el sistema. Si no se instalan los pies, el sistema puede volcarse, y ello puede producir lesiones personales o daños en el sistema.

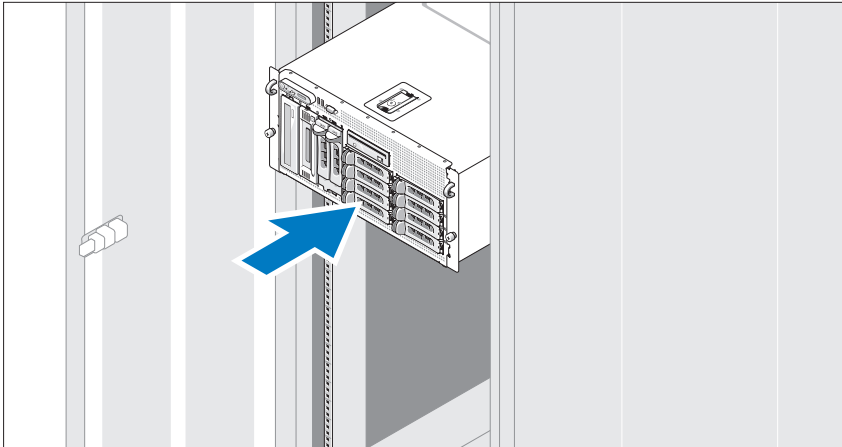
 **PRECAUCIÓN:** siempre que necesite levantar el sistema, pida la ayuda de otros. Con el fin de evitar lesiones personales, no intente mover el sistema usted solo.

## Desembalaje del sistema



- 1 Desembale el sistema e identifique cada elemento.  
Guarde el material de embalaje por si lo necesita más adelante.

## Instalación de los rieles y del sistema en un rack



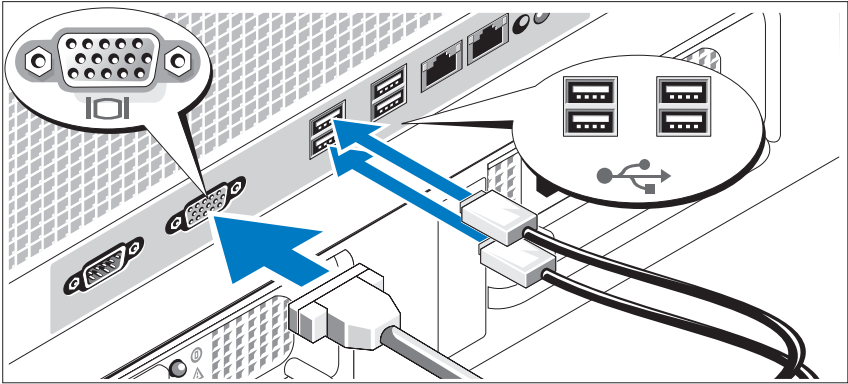
- 2 Después de leer las instrucciones de seguridad incluidas en la documentación del sistema relativa a la instalación del rack, instale los rieles y el sistema en el rack.

Consulte la documentación de instalación del rack para obtener instrucciones sobre la instalación del sistema en un rack.

Para un sistema de torre, consulte la documentación incluida con el sistema para la instalación de los pies estabilizadores.



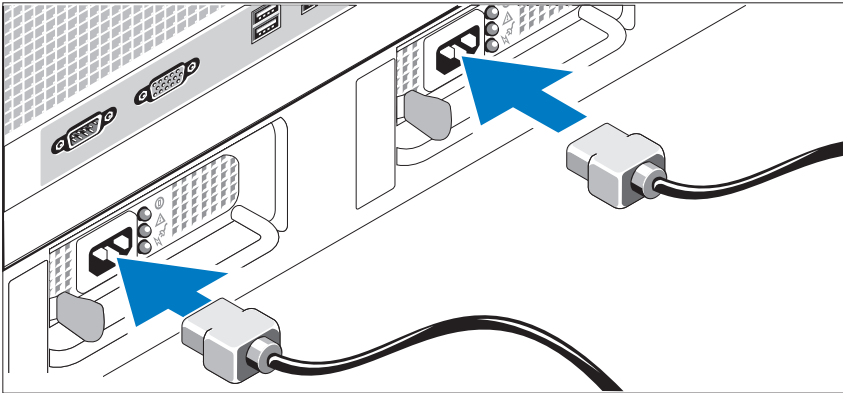
## Conexión del teclado, el ratón y el monitor



- 3 Conecte el teclado, el ratón y el monitor (opcional).

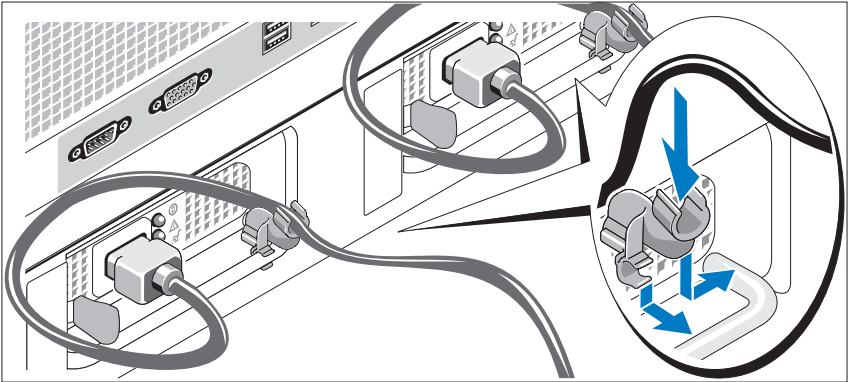
Los conectores de la parte posterior del sistema incluyen iconos que indican qué cable debe enchufarse en cada conector. Asegúrese de apretar los tornillos (si los hay) del conector del cable del monitor.

## Conexión de la alimentación



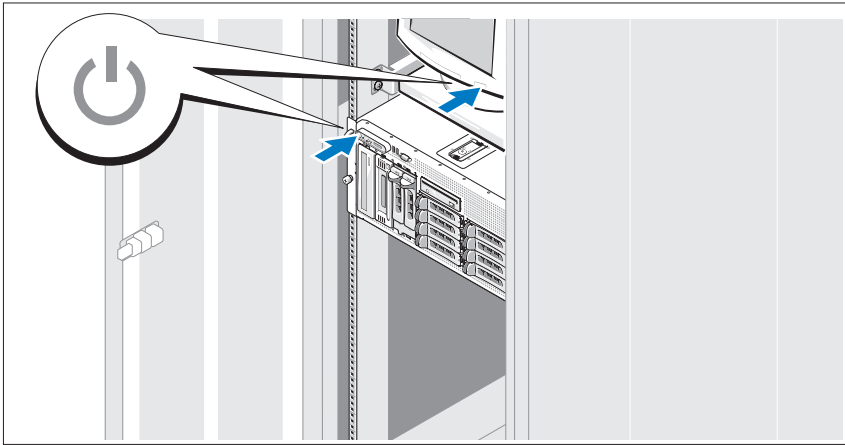
- 4** Conecte los cables de alimentación al sistema.
- 5** Conecte el otro extremo del cable a una toma eléctrica con conexión a tierra o a otra fuente de energía, como por ejemplo un sistema de alimentación ininterrumpida (SAI) o una unidad de distribución de alimentación (PDU).

## Instalación del soporte de retención del cable de alimentación



- 6 Fije el soporte de retención del cable de alimentación en el codo derecho del asa de la fuente de alimentación. Doble el cable de alimentación del sistema en forma de bucle, tal como se muestra en la ilustración, y fíjelo a la abrazadera correspondiente del soporte. Repita el procedimiento para la segunda fuente de alimentación.

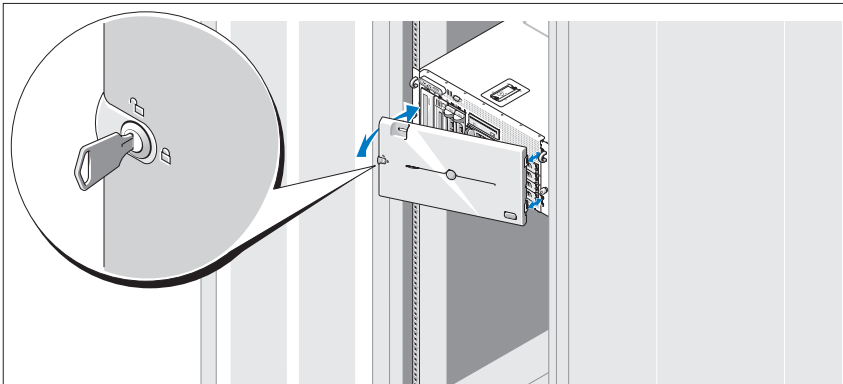
## Encendido del sistema



- 7 Encienda el sistema y el monitor (opcional).

Presione el botón de encendido del sistema y del monitor. Los indicadores luminosos de alimentación deberían encenderse. Ajuste los controles del monitor hasta que la imagen mostrada sea satisfactoria.

## Instalación del embellecedor



- 8 Instale el embellecedor (opcional).

# Finalización de la instalación del sistema operativo

Si ha adquirido un sistema operativo preinstalado, consulte la documentación del sistema operativo que se suministra con el sistema. Para instalar un sistema operativo por primera vez, consulte la *Guía de instalación rápida*. Asegúrese de que el sistema operativo está instalado antes de instalar hardware o software no adquirido con el sistema.

## Especificaciones técnicas

---

<b>Procesador</b>	
Tipo de procesador	Uno o dos procesadores Intel Xeon de doble núcleo 5000 Sequence

---

<b>Bus de expansión</b>	
Tipo de bus	PCI, PCI-X, PCIe
<b>Ranuras de expansión</b>	
PCI-X	Dos ranuras para tarjetas de altura y longitud completas de 3,3 V y 64 bits a 133 MHz (ranuras 1 y 2)
PCIe	Una ranura x8 de 3,3 V (ranura 3) Tres ranuras x4 de 3,3 V (ranuras de la 4 a la 6)

---

<b>Memoria</b>	
Arquitectura	Módulos DIMM con búfer completo (FBD) a 533 o 667 MHz (cuando estén disponibles)
Zócalos de módulo de memoria	Doce de 240 patas
Capacidades de módulo de memoria	256 MB, 512 MB, 1 GB, 2 GB o 4 GB
RAM mínima	512 MB (dos módulos de 256 MB)
RAM máxima	48 GB

---

**Unidades**

---

Unidades de disco duro	Hasta 10 unidades SAS o SATA internas de 3,5 pulgadas y de acoplamiento activo <ul style="list-style-type: none"><li>• Ocho unidades en el compartimiento interno para unidades</li><li>• Dos unidades en la tarjeta de expansión de plano posterior 1x2 Flexbay opcional</li></ul>
Unidad de disquete	Una unidad opcional de 3,5 pulgadas y 1,44 MB Unidad USB externa opcional de 3,5 pulgadas y 1,44 MB
Unidad óptica	Una unidad IDE opcional de CD, de DVD o combinada de CD-RW/DVD <b>NOTA:</b> los dispositivos de DVD son sólo de datos. Unidad de CD-ROM USB externa opcional Unidad de DVD-ROM USB externa opcional
Unidad flash	Unidad USB externa opcional

---

**Conectores**

---

**Parte posterior**

NIC	Dos RJ-45 compatibles con TOE (para NIC de 1 GB integradas)
Serie	9 patas, DTE, compatible con 16550
USB	Cuatro de 4 patas compatibles con USB 2.0
Vídeo	VGA de 15 patas

**Parte frontal**

Vídeo	VGA de 15 patas
USB	Dos de 4 patas compatibles con USB 2.0

---

**Vídeo**

---

Tipo de vídeo	Controladora de vídeo ATI ES1000; conectores VGA
Memoria de vídeo	16 MB de SDRAM DDR

---

## Alimentación

---

### Fuente de alimentación de CA (por fuente de alimentación)

Potencia	930 W
Voltaje	90-264 V CA, autoajustable, 47-63 Hz
Disipación de calor	2 697 BTU/h (789,8 W) como máximo
Corriente de conexión máxima	En condiciones normales de línea y en todo el ambiente del rango operativo del sistema, la corriente de la conexión puede alcanzar los 55 A por cada fuente de alimentación durante 10 ms o menos.

### Baterías

Batería del sistema	Batería de tipo botón de litio-ion de 3,0 V CR2032
Batería RAID (opcional)	Litio-ion de 4,1 V

---

## Características físicas

---

### Rack

Altura	21,77 cm
Anchura	44,27 cm (sólo chasis) 48,27 cm (con las superficies de montaje del rack)
Profundidad	66,13 cm (no incluye el panel de control ni el embellecedor; el panel de control supone 1,3 cm adicionales)
Peso (configuración máxima)	45,36 kg

### Torre (sin embellecedor)

Altura	47,89 cm (con pies y sin ruedas)
Anchura	22,66 cm
Profundidad	66,13 cm (no incluye el panel de control ni el embellecedor; el panel de control supone 1,3 cm adicionales)
Peso (configuración máxima)	49,9 kg

---

## Especificaciones ambientales

---

**NOTA:** para obtener más información sobre medidas medioambientales relativas a configuraciones de sistema específicas, póngase en contacto con su proveedor de asistencia técnica.

### Temperatura

En funcionamiento	De 10 a 35 °C
En almacenamiento	De -40 a 65 °C

### Humedad relativa

En funcionamiento	Del 20 al 80% (sin condensación) con una gradación de humedad máxima del 10% por hora
En almacenamiento	Del 5 al 95% (sin condensación)

### Vibración máxima

En funcionamiento	0,26 G de 5 a 350 Hz durante 2 min en el eje Z
En almacenamiento	1,54 G de 10 a 250 Hz durante 15 min en todas las orientaciones

### Impacto máximo

En funcionamiento	Un choque en el sentido positivo del eje z (un choque en cada lado del sistema) de 41 G durante un máximo de 2 ms
En almacenamiento	Seis choques ejecutados consecutivamente en el sentido positivo y negativo de los ejes x, y y z (un choque en cada lado del sistema) de 71 G durante un máximo de 2 ms

### Altitud

En funcionamiento	De -16 a 3 048 m
En almacenamiento	De -16 a 10 600 m

---



# Índice

## A

- administración remota de sistemas
  - tarjeta controladora de acceso remoto, 146
- asistencia técnica, 148

## C

- canastilla para tarjetas de expansión, 146
- CD-RW/DVD combinada, 145
- componentes del sistema, 145
  - controladora de vídeo, 146
  - fuelle de alimentación, 146
  - memoria, 145
  - multiprocesador simétrico (SMP), 145
- NIC, 146
- procesadores, 145
- tarjeta controladora de acceso remoto, 146
- unidad de CD, 145
- unidad de disquete, 145
- unidad de DVD, 145
- USB, 146

- controladora de acceso remoto
  - administración remota de sistemas, 146
- controladora de vídeo, 146
- controladora RAID integrada, 146

## E

- especificaciones técnicas, 155

## I

- instalación y configuración, 148

## M

- memoria, 145
  - intercalado, 145
- multiprocesador simétrico (SMP), 145

## **N**

NIC, 146

## **P**

procesadores, 145

## **S**

sistemas operativos  
admitidos, 147

## **T**

tarjeta controladora de acceso  
remoto, 146

## **ת**

תא כרטיס ההרחבה 166

תכונות המערכת 165

תכונות מערכת

בקר גישה מרחוק 166

כרטיסי ממשק רשת (NICs) 166

ריבוי מעבדים סימטרי(SMP) 165

תכונות מערכת

מעבדים 165

תכונות מערכת

זיכרון 165

תכונות מערכת

כונן תקליטונים 165

תכונות מערכת

כונן DVD 165

תכונות מערכת

ספק כוח 165

תכונות מערכת

USB 166

תכונות מערכת

בקר וידאו 166

# אינדקס

## N

166 NICs

## S

system features

165 כונן תקליטורים

## ב

166 בקר RAID משולב

166 בקר גישה מרחוק

166 ניהול מערכת מרחוק

166 בקר וידאו

## ה

167 התקנה והגדרת תצורה

## ז

165 זיכרון

165 שילוב

## כ

165 כונן CD-RW/DVD משולב

## מ

165 מעבדים

167 מערכות הפעלה נתמכות

172 מפרטים טכניים

## נ

ניהול מערכות מרחוק

166 בקר גישה מרחוק

## ו

167 סיוע טכני

## ר

165 ריבוי מעבדים סימטרי (SMP)

---

## תנאי סביבה

---

**הערה:** לקבלת מידע נוסף על מידות סביבתיות עבור תצורות מערכת ספציפיות, פנה לספק התמיכה הטכנית שלך.

### טמפרטורה

10°C עד 35°C

הפעלה

40°C עד 65°C (40°F עד 149°F)

אחסון

### לחות יחסית

20% עד 80% (ללא עיבוי) עם שינוי לחות הדרגתי מרבי של 10% בשעה

הפעלה

5% עד 95% (ללא עיבוי)

אחסון

### רטט מרבי

G 0.26 מ-5-350 הרץ לשתי דקות בציר Z

הפעלה

G 1.54 מ-10-250 הרץ למשך 15 דקות בכל הכיוונים

אחסון

### זעזוע מרבי

פעימת זעזוע אחת בציר Z חיובי (פעימה אחת בכל צד של המערכת) בעצמה של G 41 ל-2 אלפיות שניה

הפעלה

שש פעימות זעזוע המופעלות בזו אחר זו בצירי x, y, z החיוביים והשליליים (פעימה אחת בכל צד של המערכת) בעצמה של G 71 למשך 2 אלפיות שנייה לכל היותר

אחסון

### גובה

16-עד 3048 מטר (-50 עד 10,000 רגל)

הפעלה

16-עד 10,600 מטר (-50 עד 35,000 רגל)

אחסון

---

---

**מתח (המשך)**

---

**סוללות**

סוללת מערכת	סוללת מטבע ליתיום-יון CR 2032 של 3.0 וולט
סוללת RAID (אופציונלי)	ליתיום-יון 4.1 וולט

---

**מידות פיזיות**

---

**מעמד**

גובה	21.77 ס"מ (8.57 אינץ')
רוחב	44.27 ס"מ (17.43 אינץ'), תושבת בלבד 48.27 ס"מ (19 אינץ'), עם אוגני מעמד
עומק	66.13 ס"מ (26.04 אינץ'), לא כולל לוח בקרה או לוח כיסוי; לוח בקרה מוסיף 1.3 ס"מ (0.51 אינץ')
משקל (תצורה מרבית)	45.36 ק"ג (100 ליברה)

**Tower (ללא לוח כיסוי)**

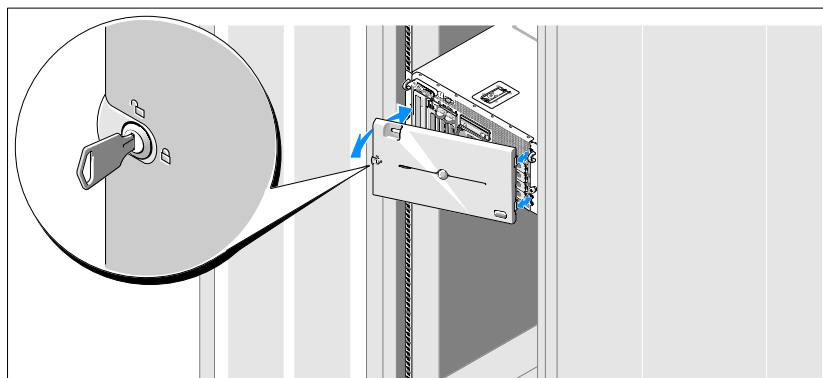
גובה	47.89 ס"מ (18.85 אינץ') עם רגליות, ללא גלגלים
רוחב	22.66 ס"מ (8.92 אינץ')
עומק	66.13 ס"מ (26.04 אינץ'), לא כולל לוח בקרה או לוח כיסוי; לוח בקרה מוסיף 1.3 ס"מ (0.51 אינץ')
משקל (תצורה מרבית)	49.9 ק"ג (110 ליברה)

<b>מחברים</b>	
<b>גב</b>	
קרטיס ממשק רשת (NIC)	שני מחברי RJ-45 התומכים ב-TOE (עבור כרטיסי ממשק רשת משולבים של 1 גיגה-בית)
טורי	תשעה פינים, DTE, תואם 16550
USB	ארבעה מחברים בעלי 4 פינים, תואמי USB 2.0
וידאו	VGA של 15 פינים
<b>חזית</b>	
וידאו	VGA של 15 פינים
USB	שניים של 4 פינים, תואמי USB 2.0
<b>וידאו</b>	
סוג וידאו	בקר וידאו ATI ES1000 ; מחברי VGA
זיכרון וידאו	16 מגה-בתים של DDR SDRAM
<b>מתח</b>	
<b>ספק זרם חילופין (לכל ספק כוח)</b>	
הספק חשמלי בוואטים	930 וואט
מתח חשמלי	90-264 וולט מתח חילופין, טווח אוטומטי, 63-47 הרץ
פיזור חום	BTU 2697 לשעה לכל היותר
זרם נכנס מקסימאלי	בתנאי קו רגילים ובטווח הפעלה בתנאי סביבה של המערכת כולה, ייתכן שהזרם הנכנס יגיע ל-55 אמפר לכל ספק כוח למשך 10 אלפיות-שנייה או פחות.

<b>אפיק הרחבה (המשך)</b>	
PCIe	חריץ אחד של 8 מסלולים, 3.3 וולט (חריץ 3) שלושה חריצים של 4 מסלולים, 3.3 וולט (חריצים 4 עד 6)
<b>זיכרון</b>	
ארכיטקטורה	667 מגה-הרץ או 667 Fully Buffered DIMMs (FBD), 533 מגה-הרץ או 667 מגה-הרץ (כאשר זמין)
שקעים של מודולי זיכרון	שנים עשר שקעים של 240 פינים
קיבולות מודולי זיכרון	256 מגה-בתים, 512 מגה-בתים, 1 גיגה-בית, 2 גיגה-בתים או 4 גיגה-בתים
זיכרון RAM מינימלי	512 מגה-בתים (שני מודולים של 256 מגה-בתים)
זיכרון RAM מרבי	48 גיגה-בתים
<b>כוננים</b>	
כוננים קשיחים	עד עשרה דיסקים פנימיים בגודל 3.5 אינץ' מסוג SAS או SATA, התומכים בחיבור חם <ul style="list-style-type: none"> <li>• שמונה כוננים בתא כוננים פנימי או</li> <li>• שני כוננים בחריץ הרחבה אופציונלי של לוח אם מסוג 1x2 flexbay</li> </ul>
כונן תקליטונים	כונן USB חיצוני אופציונלי של 3.5 אינץ', 1.44 מגה-בתים
כונן אופטי	כונן תקליטורים, DVD או CD-RW/DVD משולב אחד <b>הערה:</b> התקני DVD כוללים נתונים בלבד. כונן USB CD-ROM חיצוני אופציונלי כונן USB DVD-ROM חיצוני אופציונלי
כונן Flash	USB חיצוני אופציונלי



## התקנת הלוח הקדמי



8 התקן את הלוח הקדמי (אופציונלי).

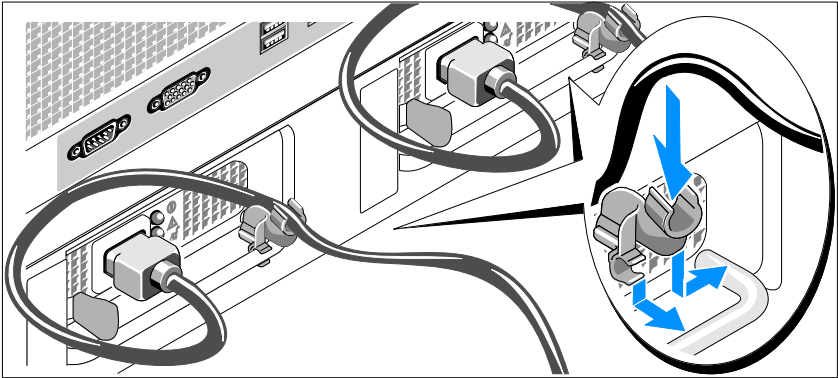
## השלמת התקנת מערכת ההפעלה

אם רכשת מערכת הפעלה מותקנת מראש, עיין בתיעוד המצורף למערכת. כדי להתקין מערכת הפעלה בפעם הראשונה, עיין במדריך ההתקנה המהירה. ודא שמערכת ההפעלה מותקנת לפני התקנה של רכיבי חומרה ותוכנות שלא נרכשו עם המערכת.

## מפרטים טכניים

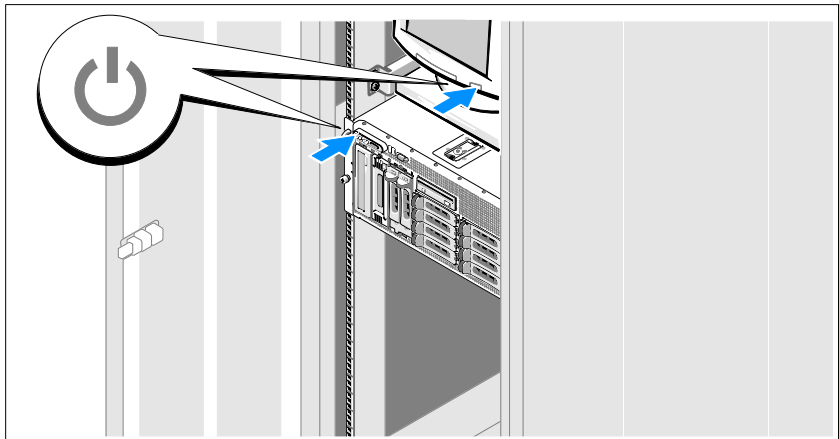
המעבד	
סוג מעבד	מעבד אחד או שני מעבדים מסוג Dual-Core Intel Xeon Processors 5000 Sequence
אפיק הרחבה	
סוג אפיק	PCIe ,PCI-X ,PCI
חריצי הרחבה	שני חריצים בגובה מלא ואורך מלא, 3.3 וולט, 64 ביט, 133 מגה-הרץ (חריצים 1 ו-2)
PCI-X	

## התקנת כן ההרכבה להגנה על כבל החשמל



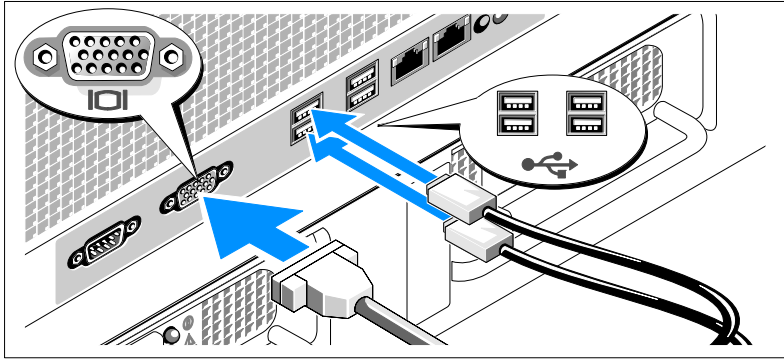
- 6 חבר את כן ההרכבה לשמירה על כבל החשמל בכיפוף הימני של ידית ספק הכוח. כופף את כבל החשמל של המערכת וצור ממנו לולאה כמוצג באיור. לאחר מכן חבר אותו לתפס הכבל בכן ההרכבה. חזור על הליך זה עבור ספק הכוח השני.

## הדלקת המערכת



- 7 הפעל את המערכת ואת הצג (אופציונלי). לחץ על מתג ההפעלה במערכת ובצג. מחווני צריכת החשמל אמורים לדלוק. כוונן את בקרי הצג, עד שהתמונה המוצגת תהיה לשביעות רצונך.

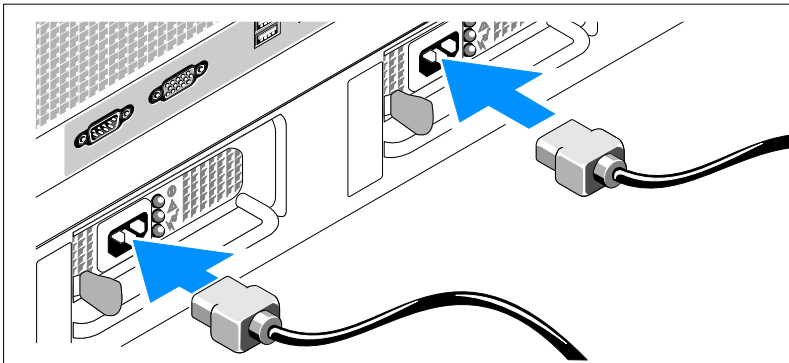
## חיבור המקלדת, העכבר והצג



3 חבר את המקלדת, העכבר והצג (אופציונלי).

ליד המחברים בחלק האחורי של המערכת ישנם סמלים המציינים איזה כבל יש להכניס לתוך כל מחבר. הקפד להדק את הברגים (אם יש) במחבר כבל הצג.

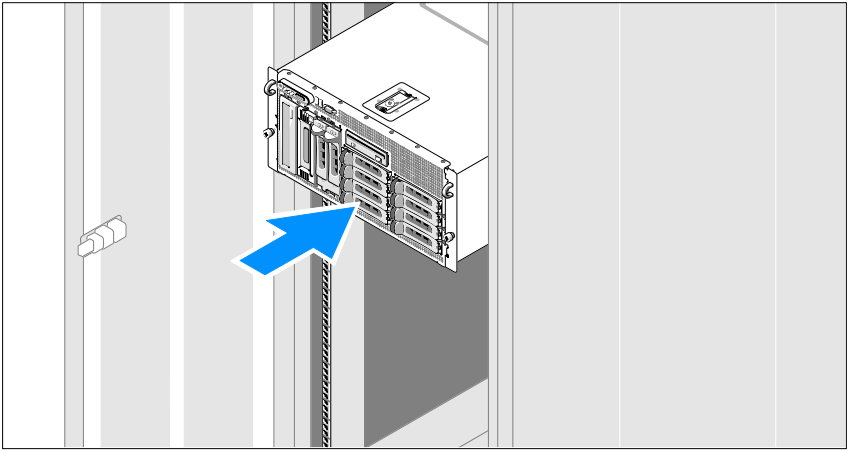
## חיבור החשמל



4 חבר את כבלי החשמל של המערכת למערכת.

5 חבר את הקצה השני של הכבל לשקע חשמלי מוארק או למקור מתח נפרד, כגון מערכת אל-פסק (UPS) או יחידת חלוקת מתח (PDU).

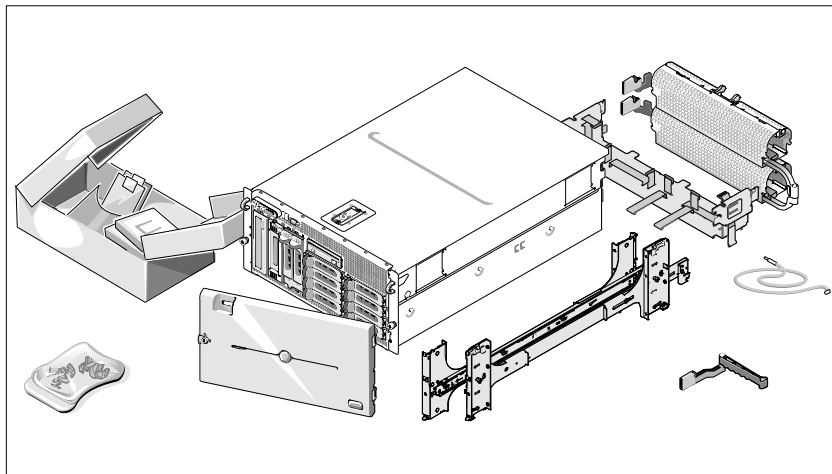
## התקנת המסילות והמערכת במעמד



- 2 לאחר שקראת את "הוראות הבטיחות" בתיעוד של התקנת המעמד המצורף למערכת, התקן את המסילות ואת המערכת במעמד.  
לקבלת הוראות להתקנת המערכת במעמד, עיין בתיעוד ההתקנה במעמד.  
עבור מערכת בתצורת Tower, עיין בתיעוד המצורף למערכת לקבלת מידע על התקנת הרגליות המייצבות.

**⚠ התראה:** בכל פעם שעליך להרים את המערכת, בקש עזרה מאנשים אחרים. כדי למנוע אפשרות פציעה, אל תנסה להרים את המערכת בעצמך.

## הסרת המערכת מהאריזה



- 1 הוצא את המערכת וזהה את כל הפריטים. שמור את כל חומרי האריזה למקרה שתזדקק להם מאוחר יותר.

## מערכות הפעלה נתמכות

- Microsoft® Windows Storage Server™ 2003 R2 Express Edition (x64)
- Microsoft Windows Storage Server 2003 R2 Workgroup Edition (x64)

## מידע נוסף שעשוי לסייע לך

- ⚠ התראה: המדריך מידע מוצר מכיל מידע חשוב אודות בטיחות ותקנות. מידע אודות אחריות עשוי להיכלל במסמך זה או כמסמך נפרד.**
- ההוראות להתקנת המעמד או המדריך להתקנת המעמד, הכלולים בפתרון המעמד שלך, מתארים כיצד להתקין את המערכת במעמד.
  - מדריך הבעלים של החומרה מכיל מידע אודות תכונות המערכת ומתאר כיצד לפתור בעיות במערכת וכיצד להתקין או להחליף רכיבי מערכת. מדריך הבעלים של החומרה זמין בתקליטורים המצורפים למערכת שברשותך, או אצל הספק הטכני שלך.
  - תקליטורים הנלווים למערכת מספקים תיעוד וכלים לקביעת התצורה של המערכת וניהולה.
  - ייתכן שכלולים גם קובצי readme או תיעוד מהדורה, כדי לספק עדכונים של הרגע האחרון למערכת או לתיעוד, או כדי לספק חומר עזר מתקדם בנושאים טכניים, המיועד למשתמשים מנוסים או לטכנאים.

## קבלת סיוע טכני

אם אינך מבין הליך כלשהו במדריך זה, או אם המערכת אינה פועלת כמצופה, עיין במדריך לבעלים של החומרה.

## התקנה והגדרת תצורה

- ⚠ התראה: לפני שתבצע את ההליך הבא, קרא את הוראות הבטיחות ואת מידע התקינה במדריך מידע מוצר ופעל על פיהם.**

סעיף זה מתאר את השלבים להתקנת המערכת בפעם הראשונה. האיורים הבאים מציגים מערכת המותקנת על מעמד, אך הליך ההתקנה תקף בחלק גדול במערכת Tower עצמאית. במקום התקנת המעמד המתוארת בשלב 2, עיין בתיעוד המצורף למערכת לקבלת מידע על התקנת רגליות מייצבות של המערכת.

- ⚠ התראה: התקנת הרגליות במערכת Tower עצמאית דרושה כדי לספק בסיס יציב למערכת. כשל בהתקנת הרגליות גורם לסכנת התהפכות של המערכת, מה שעלול לגרום לפציעה גופנית או לנזק למערכת.**

לוח המערכת כולל את התכונות הבאות :

- שישה חריצי PCI הממוקמים בתא של כרטיס ההרחבה. חריצים 1 ו-2 הם חריצים מסוג 133 מגה-הרץ X-PCI, 3.3 וולט, 64 ביט; חריץ 3 הוא חריץ מסוג PCI, 3.3 וולט, בעל 8 מסלולים; חריצים 4 עד 6 הם חריצים מסוג PCI, 3.3 וולט, בעלי 4 מסלולים. חריצי כרטיס הרחבה מאכלסים כרטיסי הרחבה בעלי גובה ואורך מלאים. חריצי PCI מאכלסים עד 8 כרטיסי הרחבה.
  - חריץ PCI ייעודי לאפיק מארח משולב של SAS או כרטיס בקר RAID משולב אופציונלי עם זיכרון מטמון בנפח 256 MB וסוללת RAID.
  -  **הערה:** אתחול המערכת אינו נתמך מהתקן חיצוני המחובר למתאם ה-SAS או ה-SCSI, כולל SAS 5/E, PERC 5/E או PERC 4e/DC. פנה לספק התמיכה הטכנית לקבלת מידע תמיכה מעודכן על אתחול מהתקנים חיצוניים.
  - שני כרטיסי ממשק רשת משולבים מסוג Gigabit Ethernet, התומכים בקצב נתונים של 10 מגה-בתים לשנייה, 100 מגה-בתים לשנייה ו-1000 מגה-בתים לשנייה.
  - שישה מחברים תואמי USB 2.0 (שניים בחזית וארבעה בחלק האחורי) התומכים בכונן תקליטונים, בכונן תקליטורים או בכונן DVD-ROM, במקלדת, בעכבר או בכונן USB Flash.
  - בקר גישה מרחוק (RAC) אופציונלי לניהול מערכות מרחוק.
  - מערכת משנה של מסך תואם VGA עם בקר וידאו ATI ES1000, PCI 33-MHz. מערכת המשנה של הווידאו מכילה 16 מגה-בתים של זיכרון וידאו DDR SDRAM (לא ניתן לשדרוג). הרזולוציה המרבית היא 1200 x 1600 עם קילו של צבעים; גרפיקה של צבע אמיתי נתמכת ברזולוציות הבאות: 600 x 800, 480 x 640, 1024 x 768, 1152 x 864 ו-1024 x 1280. כאשר RAC אופציונלי מותקן, רזולוציית הווידאו היא 1024 x 768.
  - מעגל חשמלי לניהול מערכת, המפקח על פעולת מאווררי המערכת וכן על נתונים קריטיים של המערכת, כגון וולטאג' וטמפרטורות.
  - המעגל החשמלי לניהול המערכת פועל בשילוב עם תוכנת ניהול המערכות.
  - בקר ניהול לוח סטנדרטי עם גישה טורית.
  - מחברי לוח אחורי כוללים מחבר טורי, מחבר וידאו, ארבעה מחברי USB ושני מחברי כרטיס ממשק רשת (NIC).
  - מחברי הלוח הקדמי כוללים מחבר וידאו ושני מחברי USB.
  - צג LCD 1x5 בלוח הקדמי למזהה מערכת ולהודעות שגיאה.
  - לחצן מזהה מערכת על הלוח הקדמי ועל הלוח האחורי.
- לקבלת מידע נוסף אודות תכונות מסוימות, ראה "מפרטים טכניים" בעמוד 12.

## תכונות המערכת

תכונות החומרה והתוכנה העיקריות של המערכת כוללות:

- מעבד אחד או שני מעבדים מסוג Dual-Core Intel® Xeon® Processors 5000 Sequence.
- תמיכה בריבוי מעבדים סימטרי (SMP), הזמינה במערכות בעלות שני מעבדי Intel Xeon SMP. משפר באופן משמעותי את ביצועי המערכת הכוללים על-ידי חלוקת הפעולות של המעבד בין מעבדים בלתי תלויים. כדי לנצל תכונה זו, עליך להשתמש במערכת הפעלה שתומכת בריבוי מעבדים.
-  **הערה:** אם תחליט לבצע שדרוג של המערכת על-ידי התקנת מעבד שני, יהיה עליך להזמין את ערכות שדרוג המעבד מהספק. לא כל הגרסאות של מעבד Intel Xeon יפעלו כראוי כמעבדים נוספים. ערכת השדרוג מכילה את הגרסה המתאימה של המעבד, קולט החום והמאוורר, וכן הוראות לביצוע השדרוג.
- מינימום של 512 מגה-בתים מתוך 533 מגה-הרץ או 667 מגה-הרץ (כאשר זמין), רכיבי Fully Buffered DIMM (FBD), הניתנים לשדרוג לנפח מרבי של 48 גיגה-בית על-ידי התקנת שילובים של מודולי זיכרון בנפח 256 מגה-בתים, 512 מגה-בתים, 1 גיגה-בתים, 2 גיגה-בתים או 4 גיגה-בתים בשנים עשר השקעים של מודולי הזיכרון בלוח המערכת.
- המערכת כוללת גם זיכרון יתיר, שמספק תוספת זיכרון או שיקוף זיכרון. כל אחת משתי תכונות אלה זמינה אם מותקנים שמונה או שנים עשר מודולי זיכרון זהים.
- תמיכה בעשרה דיסקים קשיחים לכל היותר, בגודל 3.5 אינץ' מסוג Serial-Attached SCSI (SAS) או SATA, התומכים בחיבור חם פנימי (שמונה דיסקים קשיחים פנימיים בגודל 3.5 אינץ' עם לוח אם התומך בחיבור חם, ותמיכה בשני כוננים נוספים לכל היותר, בגודל 3.5 אינץ' התומכים בחיבור חם בתא ההיקפי, באמצעות לוח אם אופציונלי מסוג x2 flexbay1).
- תא היקפי מספק תמיכה בכונן אופטי אופציונלי וביחידת גיבוי קלטות (TBU) אופציונלית בחצי גובה. יחידת גיבוי קלטות בגובה מלא נתמכת כאשר כן ההרכבה x2 flexbay1 מוסר.
- כונן תקליטונים יחיד אופציונלי, בגודל 3.5 אינץ' ובנפח 1.44 מגה-בתים.
- כונן תקליטורים, DVD או CD-RW/DVD משולב אופציונלי.
-  **הערה:** התקני DVD כוללים נתונים בלבד.
- מתג פתיחת המארז שמאותת לתוכנת ניהול המערכת המתאימה כאשר הכיסוי העליון פתוח.
- עד שני ספקי כוח התומכים בחיבור חם בהספק של 930 וואט בתצורה יתירה של 1 + 1.
- שישה מאווררים לקירור המערכת התומכים בחיבור חם.








# תוכן

165	.....	תכונות המערכת
167	.....	מערכות הפעלה נתמכות
167	.....	מידע נוסף שעשוי לסייע לך
167	.....	קבלת סיוע טכני
167	.....	התקנה והגדרת תצורה
168	.....	הסרת המערכת מהאריזה
169	.....	התקנת המסילות והמערכת במעמד
170	.....	חיבור המקלדת, העכבר והצג
171	.....	חיבור החשמל
		התקנת כן ההרכבה להגנה על כבל
171	.....	החשמל
171	.....	הדלקת המערכת
172	.....	התקנת הלוח הקדמי
172	.....	השלמת התקנת מערכת ההפעלה
172	.....	מפרטים טכניים
177	.....	אינדקס

## הערות, הודעות והתראות

-  **הערה:** הערה מציינת מידע חשוב שיסייע לך לנצל את המחשב בצורה טובה יותר.
-  **הודעה:** הודעה מציינת אפשרות של נזק לחומרה או אובדן נתונים ומסבירה כיצד להימנע מהבעיה.
-  **התראה:** התראה מציינת אפשרות של נזק לרכוש, פגיעה גופנית או מוות.

---

המידע הכלול במסמך זה נתון לשינויים ללא הודעה מוקדמת.  
© 2007 Dell Inc. כל הזכויות שמורות.

חל איסור מוחלט על שעתוק מסמך זה, בכל דרך שהיא, ללא קבלת רשות בכתב מאת Dell Inc.

סימנים מסחריים המופיעים במסמך זה: Dell, הסמל של Dell ו-*PowerVault* הם סימנים מסחריים של Dell Inc.; *Intel Core 2 Duo* ו-*Intel Core* הם סימנים מסחריים ו-*Intel*, *Pentium* ו-*Xeon* הם סימני מסחר רשומים של Intel Corporation בארה"ב ובארצות אחרות; *Microsoft*, *Windows* ו-*Windows Storage Server* הם סימנים מסחריים או סימנים מסחריים רשומים של חברת מיקרוסופט בארצות הברית ו/או בארצות אחרות.

סימנים מסחריים ושמות מסחריים אחרים המוזכרים במסמך זה מתייחסים לגורמים הטוענים לבעלות על הסימנים ועל השמות, או למוצרים של גורמים אלה. Dell Inc. מתנערת מכל עניין קנייני בסימני מסחר ובשמות מסחריים, למעט הסימנים והשמות שלה עצמה.

דגם MVT01

Dell™ מערכות

PowerVault™ 600

# תחילת העבודה עם המערכת

MVT01 דגם

