



Dell PowerConnect W-6000M3 Controller Module Installation Guide

Introduction

The Dell PowerConnect W-6000M3 Controller Module is a hot-swappable Controller Module for use within the Dell W-6000 Controller chassis. The W-6000 controller chassis is capable of containing up to four W-6000M3 modules, each of which can be configured as a master or local controller. Each W-6000M3 Controller Module is capable of supporting up to 512 campus connected access points (APs). For compatibility and configuration options, refer to [“Configuration Options” on page 6](#).

Minimum Software Requirements

The W-6000M3 Controller Module requires ArubaOS 5.0.3 or later.



NOTE: The master controller, its redundant master controller, and all of its local controllers must run on the same ArubaOS version. Once you upgrade your network and install the W-6000M3 Controller Module into your network, verify that the software version on your W-6000M3 Controller Module matches the rest of the network. If the code shipped on the module is prior to the version that you upgraded your network to, you must upgrade the code on the W-6000M3 Controller Module to match the rest of the network.

Package Checklist

- *Dell PowerConnect W-6000M3 Controller Module*
- *Dell PowerConnect W-6000M3 Controller Module Installation Guide*
- *Dell PowerConnect Quick Start Guide*
- *End User License Agreement (EULA)*
- *Safety, Environmental, and Regulatory Information (SERI) document*
- *Warranty and Support Information (WSI) document*



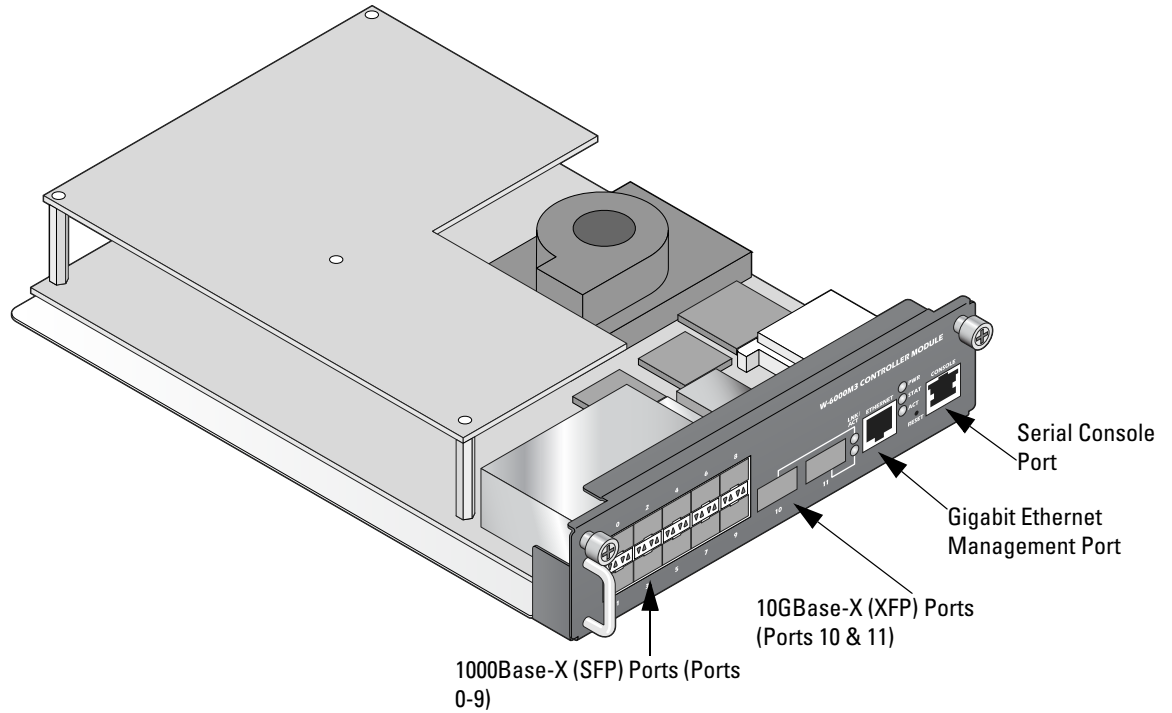
NOTE: Inform your supplier if there are any incorrect, missing, or damaged parts. If possible, retain the carton, including the original packing materials. Use these materials to repack and return the unit to the supplier if needed.



NOTE: Optional accessories, such SFP and XFP modules, are available for use with the W-6000M3 and are sold separately. Contact your Dell sales representative for details and assistance.

Hardware Overview

Figure 1 W-6000M3 Controller Module



Ports

1000Base-X (SFP) Ports

Ports 0 through 9 on the W-6000M3 are 1000Base-X (SFP) ports for fiber or copper connectivity and are intended for use with Dell approved SFPs.



NOTE: Dell tests and supports Dell optics within their controller systems. Third party optics are not tested or supported; therefore, Dell does not guarantee proper functionality of third party optics. For further details regarding Dell approved SFPs, refer to the *Dell PowerConnect W-Series SFP Optical Modules Installation Guide*.

10GBase-X (XFP) Ports

Ports 10 and 11 on the W-6000M3 are 10GBase-X fiber optic ports for use with Dell XFPs. XFPs are 10 Gbit hot-swappable, optical transceivers, which convert serial electrical signals to external serial optical or electrical signals.



NOTE: Dell tests and supports Dell optics within their controller systems. Third party optics are not tested or supported; therefore, Dell does not guarantee proper functionality of third party optics. For further details regarding Dell approved XFPs, such as technical specifications and installation instructions, refer to the *Dell PowerConnect W-Series XFP Optical Modules Installation Guide*.

Gigabit Ethernet Management Port

This port is a 10/100/1000Base-T Gigabit Ethernet (RJ-45) port. Gigabit Ethernet uses all eight wires and each pair is used in a bi-directional fashion, meaning the same pairs are used for both data transmission and reception. This port also supports Auto MDIX, allowing the use of crossover or straight through cables. [Figure 2](#) illustrates the CAT-5 pin-out found on an RJ-45 connector. The CAT-5 pin-out pairs the following pins on a 10/100/1000Base-T Gigabit Ethernet port: 1/2, 3/6, 4/5, and 7/8.



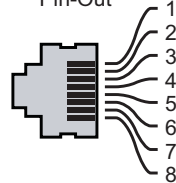
NOTE: Ethernet traffic on this port is out-of-band; this port is segmented from regular switching and routing functions and cannot be used as a network data port.

Figure 2 Gigabit Ethernet Port Pin-Out

1000Base-T Gigabit Ethernet Port



RJ-45 Female Pin-Out

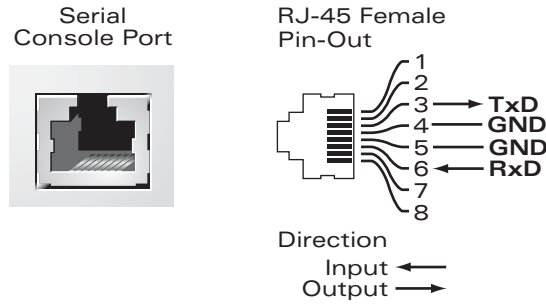


Signal Name	Function
1	BI_DA+
2	BI_DA-
3	BI_DB+
4	BI_DC+
5	BI_DC-
6	BI_DB-
7	BI_DD+
8	BI_DD-

Serial Console Port

A serial console port is provided for connection to a terminal, allowing for direct local management. The port's RJ-45 female connector accepts an RS-232 serial cable with a male connector.

Figure 3 Serial Console Port Pin-Out



Communication settings for the serial console port are indicated in [Table 1](#).

Table 1 Serial Connection Requirements

Baud Rate	Data Bits	Parity	Stop Bits	Flow Control
9600	8	None	1	None

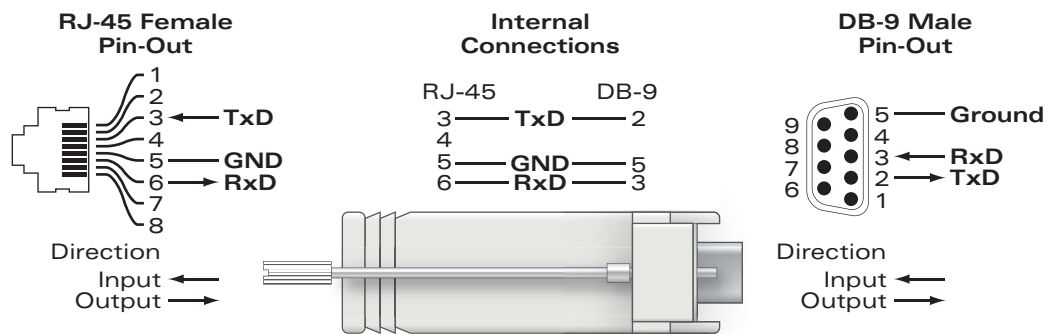


CAUTION: Do not connect an Access Point (AP) to the serial console port. The serial console port is only compatible with RS-232 devices. Non-RS-232 devices, such as APs, are not supported and will cause the controller to fail.

Serial Console Port Adaptor

A modular adaptor can be used to convert the RJ-45 (female) connector to a DB9 (male) connector. Refer to [Figure 4](#) for complete details

Figure 4 RJ-45 (female) to DB9 (male) Modular Adaptor Conversion



LED Status Indicators

Table 2 describes the W-6000M3 LEDs (shown in Figure 5) and their function.

Figure 5 W-6000M3 Front Panel and LEDs

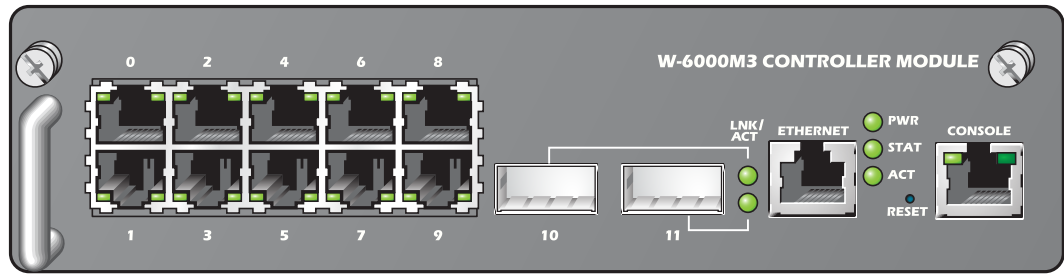


Table 2 W-6000M3 LED Behavior

LED	Function	Indicator	Status
PWR	Input Power Status	On (Green)	Power on
		Off	No power
STAT	Module Status Indicator	On (Green)	Device is operational
		On (Amber)	Device is booting
		On (Red)	Device failed
		Off	Device is loading software or no power
ACT	Module Mode Indicator	On (Green)	Device in active mode
		On (Yellow)	Device in standby mode
		Off	Device has not determined operating state or no power
LNK/ACT	Link Status Indicator	On (Solid Green)	Link has been established
		On (Flashing Green)	Port is transmitting or receiving data
		Off	No link on port

Configuration Options

Configuration Requirements

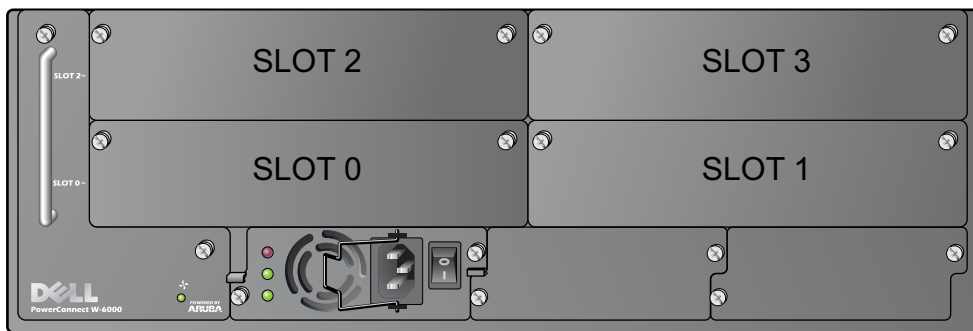
The following requirements must be adhered to when running W-6000M3 Controller Modules within the Dell PowerConnect W-6000:

- The first W-6000M3 Controller Module must be installed in either Slot 0 or Slot 1 of the W-6000 chassis. W-6000M3 modules in Slot 2 or Slot 3 will not boot if an W-6000M3 is not present in Slot 0 or Slot 1. Refer to [Figure 6](#) for Slot ID and locations within the Dell W-6000 chassis.

Slot 0 or Slot 1 must be populated before Slot 2 or Slot 3 since backplane communication occurs between the following:

- Slot 0 communicates with Slot 2 and/or Slot 3
- Slot 1 communicates with Slot 2 and/or Slot 3
- The W-6000M3 module is designed for installation within the W-6000 chassis utilizing 400 W power supplies only. Refer to [“Power Management” on page 10](#) for complete details.
- Minimum software requirements must be met prior to installing the W-6000M3. Refer to [“Minimum Software Requirements” on page 1](#) for complete details.

Figure 6 W-6000 Slot Configuration



- Configuration options are also dependent on power requirements for each module. Refer to [“Power Management” on page 10](#) for complete details.

Installation



CAUTION: Many repairs may only be done by a certified service technician. You should only perform troubleshooting and simple repairs as authorized in your product documentation, or as directed by the online or telephone service and support team. Damage due to servicing that is not authorized by Dell is not covered by your warranty. Read and follow the safety instructions that came with the product.

Pre-Installation Requirements

The following tools and equipment are required for installation of an W-6000M3 module:

- Pre-installed Dell PowerConnect W-6000 Controller Chassis (sold separately)
- ESD-preventive wrist strap (not provided)
- #2 Phillips screwdriver (not provided)
- Dell PowerConnect W-6000M3 Controller Module(s)

Physical Installation

To install an W-6000M3 module into an W-6000 chassis:

1. Use standard ESD precautions when installing an W-6000M3.



NOTE: Since the Dell W-6000M3 Controller Module is hot-swappable, the power to the chassis can be ON or OFF.

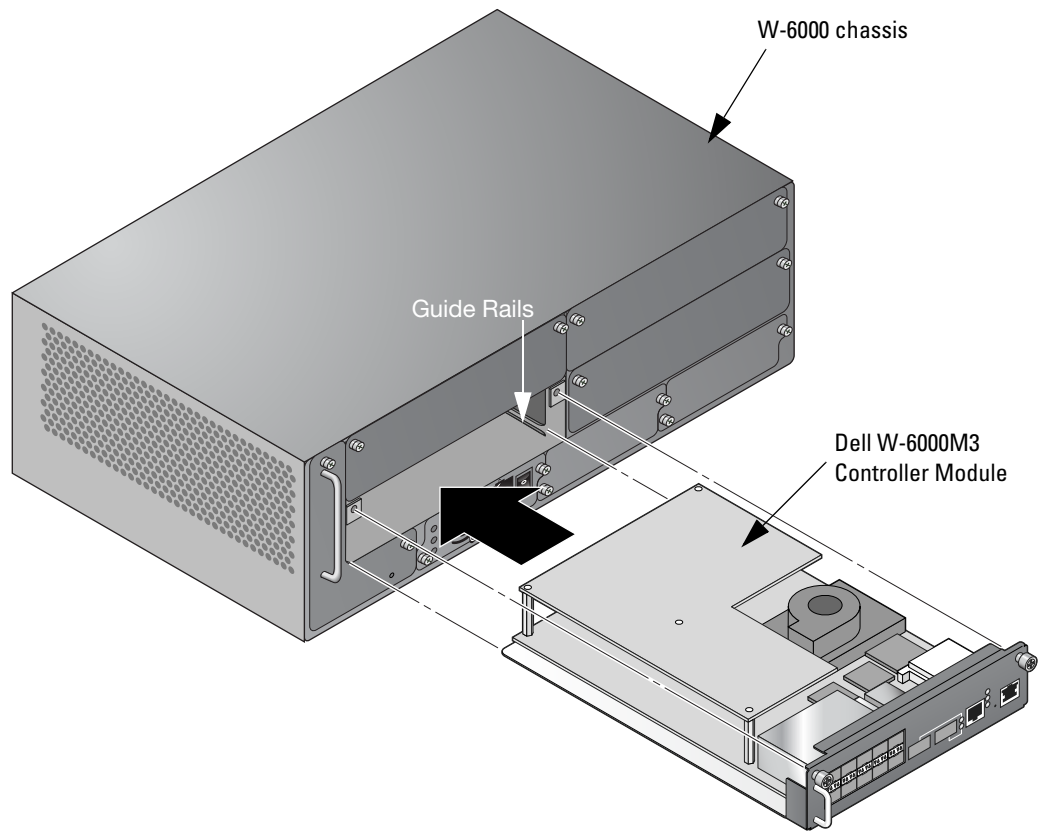
2. Remove the blank front panel or existing module from the appropriate slot in the W-6000 chassis (if applicable).



NOTE: Dell recommends the use of a blank front panel over any unused slots in an W-6000. The blank front panel is required for proper cooling and air flow within the W-6000.

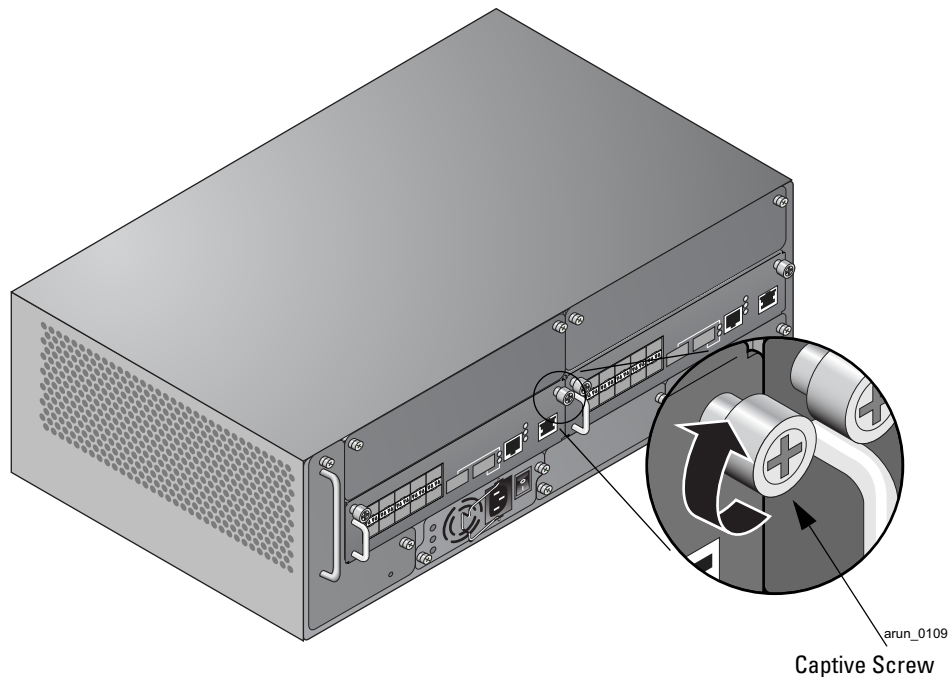
3. Remove the W-6000M3 module from the shipping carton and ESD bag.
4. Slide the W-6000M3 into the W-6000 using the guide rails. The W-6000M3 must be seated within the guide rails for proper installation (see [Figure 7](#)).

Figure 7 *Installing an W-6000M3*



5. Secure the W-6000M3 to the W-6000 by tightening down the two captive screws using a #2 Phillips screwdriver (see [Figure 8](#)). Turn the captive screws clockwise until the screws are hand tight. Do not over-tighten the screws.

Figure 8 *Securing an W-6000M3*



Initial Setup and Network Connectivity

Once the physical installation is complete, run the initial setup on the W-6000M3 to configure the IP address of the module (referred to as the controller in ArubaOS documentation) and other basic system information. For complete details and instructions, refer to the *Dell PowerConnect ArubaOS Quick Start Guide* for the software version installed on your controller.

Removal

1. Use standard ESD precautions when removing an W-6000M3.



NOTE: Since the Dell W-6000M3 Controller Module is hot-swappable, the power to the chassis can be ON or OFF.

2. Turn the captive screws counter-clockwise to loosen the screws and release the W-6000M3.
3. Slide and remove the W-6000M3 from the W-6000.
4. Install a blank front panel over any unused slots.



NOTE: Dell requires the use of a blank front panel over any unused slots in a Dell W-6000 chassis. The blank front panel is required for proper cooling and air flow within the W-6000.

Power Management

The W-6000 controller supports up to three 400 W power supplies. If using one to two primary power supplies for 400 to 800 W of primary power, the use of a 400 W redundant power supply is possible.

For maximum capacity planning, add the maximum power draw required for all of the modules in your chassis configuration to determine the required number of power supplies.

W-6000M3 Module and PSU Configuration Table

The following table displays the W-6000M3 module configurations, and the resultant power supply configurations and power usage.

Table 3 *Power Supply and Module Configurations*

Module	Number of Units			
W-6000M3 Controller Module (130 W max power draw each)	1	2	3	4
Total Power (W)	130	260	390	520
Required number of PSUs	1	1	1	2
Redundant number of PSUs	1 or 2	1 or 2	1 or 2	1

Safety and Regulatory Compliance



NOTE: For additional safety, compliance, and regulatory information, see the Dell PowerConnect W-6000 Installation Guide. To download the latest technical product documentation, including User Guides, Reference Guides, and Installation Guides, navigate to support.dell.com/manuals

Dell provides a multi-language document containing country specific restrictions and additional safety and regulatory information for all Dell hardware products. The *Aruba Safety and Regulatory Addendum* can be viewed or downloaded from the following location: dell.com.



CAUTION: Use of controls or adjustments of performance or procedures other than those specified in this manual may result in hazardous radiation exposure.

This product complies with 21 CFR Chapter 1, Subchapter J, Part 1040.10, and IEC 60825-1: 1993, A1: 1997, A2: 2001, IEC 60825-2: 2000.

For continued compliance with the above laser safety standards, only approved Class 1 modules from our approved vendors should be installed in Aruba products.

This device complies with Part 15 of the FCC Rules. Operation is subject to the following two conditions: (1) this device may not cause harmful interference, and (2) this device must accept any interference received, including interference that may cause undesired operation.

**This Class A digital apparatus complies with Canadian ICES-003.
Cet appareil numérique de la classe A est conforme à la norme NMB-003 du Canada.
Apparatet må tilkoples jordet stikkontakt.
Laite on liitettävä suojamaadoituskoskettimilla varustettuun pistorasiaan.**

この装置は、クラス A 情報技術装置です。この装置を家庭環境で使用すると電波妨害を引き起こすことがあります。この場合には使用者が適切な対策を講ずるよう要求されることがあります。 **VCCI-A**

Proper Disposal of Dell Equipment

For the most current information on Global Environmental Compliance and Dell products please see our website at dell.com.

Waste of Electrical and Electronic Equipment



Dell products at end of life are subject to separate collection and treatment in the EU Member States, Norway, and Switzerland and therefore are marked with the symbol shown at the left (crossed-out wheeled bin). The treatment applied at end of life of these products in these countries shall comply with the applicable national laws of countries implementing Directive 2002/96EC on Waste of Electrical and Electronic Equipment (WEEE).

European Union RoHS



Dell products also comply with the EU Restriction of Hazardous Substances Directive 2002/95/EC (RoHS). EU RoHS restricts the use of specific hazardous materials in the manufacture of electrical and electronic equipment. Specifically, restricted materials under the RoHS Directive are Lead (including Solder used in printed circuit assemblies), Cadmium, Mercury, Hexavalent Chromium, and Bromine. Some Dell products are subject to the exemptions listed in RoHS Directive Annex 7 (Lead in solder used in printed circuit assemblies). Products and packaging will be marked with the “RoHS” label shown at the left indicating conformance to this Directive.

Contacting Dell

Table 4 *Website Contacts*

Website Support	
Main Website	dell.com
Support Website	support.dell.com
Dell Documentation	support.dell.com/manuals

Copyright

© 2011 Aruba Networks, Inc. AirWave®, Aruba Networks®, Aruba Mobility Management System®, and other registered marks are trademarks of Aruba Networks, Inc. Dell™, the DELL™ logo, and PowerConnect™ are trademarks of Dell Inc.

All rights reserved. Specifications in this manual are subject to change without notice.

Originated in the USA. Any other trademarks appearing in this manual are the property of their respective companies.

Open Source Code

Certain Aruba products include Open Source software code developed by third parties, including software code subject to the GNU General Public License (GPL), GNU Lesser General Public License (LGPL), or other Open Source Licenses. The Open Source code used can be found at this site:

http://www.arubanetworks.com/open_source

Legal Notice

The use of Aruba Networks, Inc. switching platforms and software, by all individuals or corporations, to terminate other vendors' VPN client devices constitutes complete acceptance of liability by that individual or corporation for this action and indemnifies, in full, Aruba Networks, Inc. from any and all legal actions that might be taken against it with respect to infringement of copyright on behalf of those vendors.



Dell PowerConnect W-6000M3 Controller-Modul Installationsanleitung

Einführung

Der Dell PowerConnect W-6000M3 Controller-Modul ist ein Hot-Swapping-fähiges Controller-Modul zur Verwendung im Dell W-6000 Controller-Gehäuse. Das W-6000 Controller-Gehäuse kann bis zu vier W-6000M3-Module aufnehmen, von denen jedes als Master- oder lokaler Controller konfiguriert werden kann. Jedes W-6000M3 Controller-Modul kann bis zu 512 auf dem Gelände angeschlossene Access Points (APs) unterstützen. Informationen zur Kompatibilität und zu Konfigurationsoptionen finden Sie unter „[Konfigurationsoptionen](#)“ auf [Seite 5](#).

Mindestvoraussetzungen für die Software

Für das W-6000M3 Controller-Modul ist ArubaOS 5.0.3 oder eine neuere Version erforderlich.



HINWEIS: Der Master-Controller, sein redundanter Master-Controller und alle lokalen Controller müssen dieselbe Version von ArubaOS verwenden. Wenn Sie Ihr Netzwerk aktualisieren und das W-6000M3 Controller-Modul im Netzwerk installieren, vergewissern Sie sich, dass die Softwareversion des W-6000M3 Controller-Moduls zum restlichen Netzwerk passt. Wenn der mit dem Modul gelieferte Code älter ist als die Version, auf die Sie Ihr Netzwerk aktualisiert haben, müssen Sie den Code auf dem W-6000M3 Controller-Modul aktualisieren, damit er mit dem des Netzwerks übereinstimmt.

Checkliste

- *Dell PowerConnect W-6000M3 Controller-Modul*
- *Dell PowerConnect W-6000M3 Controller-Modul Installationsanleitung*
- *Dell PowerConnect Quick Start Guide*
- *Endbenutzerlizenzvereinbarung (EULA)*
- *Safety, Environmental, and Regulatory Information (SERI)-Dokument*
- *Warranty and Support Information (WSI)-Dokument*



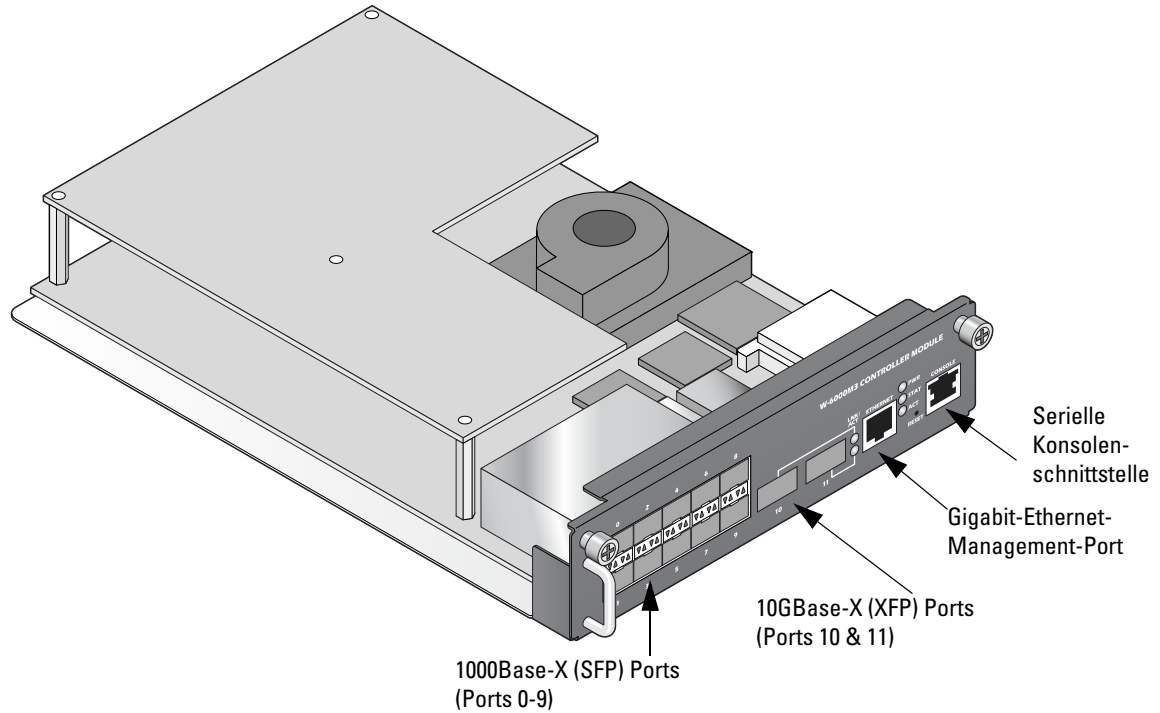
HINWEIS: Wenden Sie sich an Ihren Händler, wenn Teile fehlen oder beschädigt sind oder wenn Sie falsche Teile erhalten haben. Bewahren Sie den Karton einschließlich der Original-Verpackungsmaterialien nach Möglichkeit auf. Verwenden Sie diese Materialien, um das Produkt bei Bedarf zu verpacken und an den Händler zurückzugeben.



HINWEIS: Optionales Zubehör zur Verwendung mit dem W-6000M3, zum Beispiel SFP- und XFP-Module, kann separat erworben werden. Wenden Sie sich an Ihren Dell-Kundenbetreuer, um weitere Informationen und Beratung zu erhalten.

Hardwareübersicht

Abbildung 1 W-6000M3 Controller-Modul



Ports

1000Base-X (SFP)-Ports

Die Anschlüsse 0 bis 9 am W-6000M3 sind 1000Base-X (SFP)-Ports für Glasfaser- oder Kupferkabel und sind zur Verwendung mit von Dell zugelassenen SFPs gedacht.



HINWEIS: Dell testet und unterstützt Glasfaserleitungen von Dell innerhalb der Controllersysteme. Faseroptische Leitungen anderer Hersteller werden nicht getestet oder unterstützt; Dell kann deshalb die einwandfreie Funktionalität von Glasfaserleitungen anderer Hersteller nicht garantieren. Weitere Informationen zu von Dell zugelassenen SFPs finden Sie im *Dell PowerConnect W-Series SFP Optical Modules Installation Guide*.

10GBase-X (XFP)-Ports

Die Anschlüsse 10 und 11 am W-6000M3 sind 10GBase-X-Glasfaser-Ports zur Verwendung mit Dell-XFPs. XFPs sind bei laufendem Betrieb austauschbare optische 10-Gbit/s-Transceiver, die serielle elektrische Signale in externe optische oder elektrische Signale umwandeln.



HINWEIS: Dell testet und unterstützt Glasfaserleitungen von Dell innerhalb der Controllersysteme. Faseroptische Leitungen anderer Hersteller werden nicht getestet oder unterstützt; Dell kann deshalb die einwandfreie Funktionalität von Glasfaserleitungen anderer Hersteller nicht garantieren. Weitere Informationen zu von Dell zugelassenen XFPs, zum Beispiel technische Daten und Installationsanleitungen, finden Sie im *Dell PowerConnect W-Series XFP Optical Modules Installation Guide*.

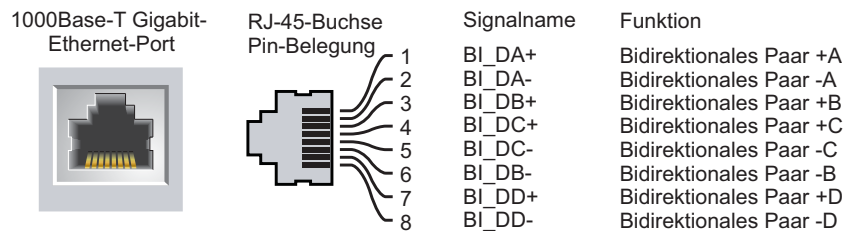
Gigabit-Ethernet-Management-Port

Dieser Anschluss ist ein 10/100/1000Base-T-Gigabit-Ethernet-Port (RJ-45). Gigabit-Ethernet nutzt alle acht Leitungen und jedes Paar wird bidirektional verwendet, sodass dieselben Paare sowohl für die Datenübertragung als auch für den Empfang verwendet werden. Dieser Port unterstützt auch Auto MDIX, sodass Crossover-Kabel oder nicht gekreuzte Kabel verwendet werden können. [Abbildung 2](#) zeigt die CAT-5-Pin-Belegung für einen RJ-45-Anschluss. Die CAT-5-Pin-Belegung fasst jeweils die folgenden Pins bei einem 10/100/1000Base-T-Gigabit-Ethernet-Port zu Paaren zusammen: 1/2, 3/6, 4/5 und 7/8.



HINWEIS: Der Ethernet-Datenverkehr an dieser Schnittstelle ist Out-of-Band; diese Schnittstelle ist von regulären Umschalt- und Routingfunktionen abgeschnitten und kann nicht zur Netzwerk-Datenübertragung verwendet werden.

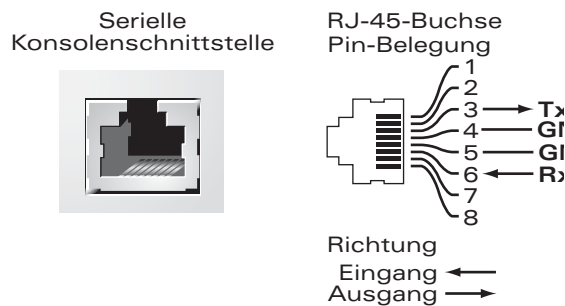
Abbildung 2 Pin-Belegung des Gigabit-Ethernet-Anschlusses



Serielle Konsolenschnittstelle

Eine serielle Konsolenschnittstelle steht für den Anschluss an ein Terminal zur Verfügung, um die direkte lokale Verwaltung zu ermöglichen. An die RJ-45-Buchse kann ein serielles RS-232-Kabel mit Stecker angeschlossen werden.

Abbildung 3 Serielle Konsolenschnittstelle - Pin-Belegung



Kommunikationseinstellungen für die serielle Konsolenschnittstelle sind in [Tabelle 1](#) aufgeführt.

Tabelle 1 Anforderungen für den seriellen Anschluss

Baudrate	Datenbits	Parität	Stoppbits	Fluss-steuerung
9600	8	Keine	1	Keine

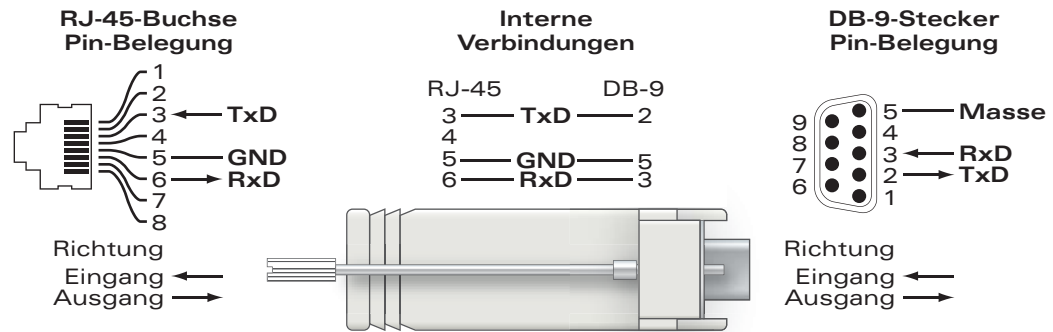


VORSICHT: Schließen Sie keinen Access Point (AP) an die serielle Konsolenschnittstelle an. Die serielle Konsolenschnittstelle ist nur mit RS-232-Geräten kompatibel. Geräte, die keine RS-232-Geräte sind, wie zum Beispiel APs, werden nicht unterstützt und führen zum Ausfall des Controllers.

Adapter für die serielle Konsolenschnittstelle

Mit einem modularen Adapter kann die RJ-45-Buchse in einen DB9-Stecker umgewandelt werden. Details können Sie [Abbildung 4](#) entnehmen.

Abbildung 4 Umwandlung der RJ-45-Buchse zum DB-9-Stecker mit modularem Adapter



LED-Statusanzeigen

In [Tabelle 2](#) sind die W-6000M3-LEDs (in [Abbildung 5](#) abgebildet) und ihre Funktion aufgeführt.

Abbildung 5 Vorderseite und LEDs des W-6000M3

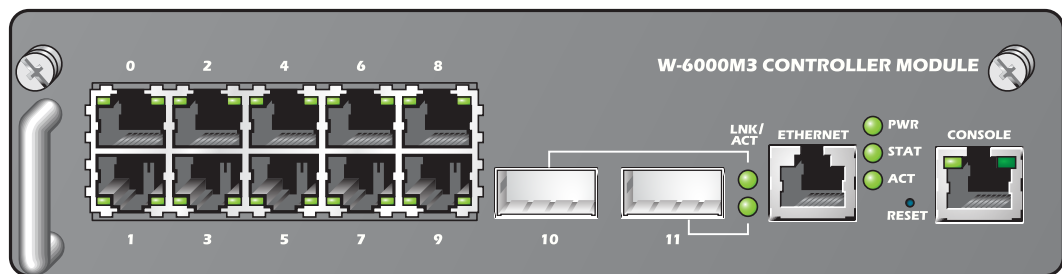


Tabelle 2 LED-Verhalten beim W-6000M3

LED	Funktion	Anzeige	Status
PWR	Status des Eingangsstroms	Ein (grün)	Stromversorgung ein
		Aus	Kein Strom
STAT	Statusanzeige des Moduls	Ein (grün)	Gerät ist betriebsbereit
		Ein (gelb)	Gerät wird gestartet
		Ein (rot)	Gerätefehler
		Aus	Gerät lädt Software oder keine Stromversorgung
ACT	Anzeige des Modulmodus	Ein (grün)	Gerät im aktiven Modus
		Ein (gelb)	Gerät im Standbymodus
		Aus	Gerät hat keinen bestimmten Betriebsstatus oder keine Stromversorgung
LNK/ACT	Anzeige des Verbindungsstatus	Ein (durchgehend grün)	Verbindung wurde hergestellt
		Ein (grün blinkend)	Port sendet oder empfängt Daten
		Aus	Keine Verbindung an der Schnittstelle

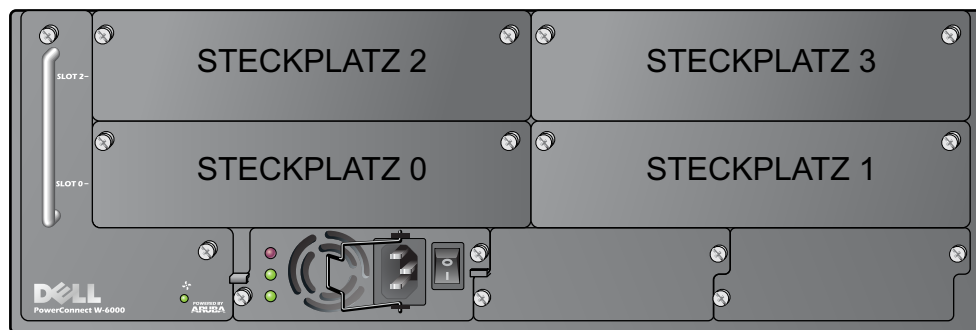
Konfigurationsoptionen

Konfigurationsanforderungen

Für den Betrieb von W-6000M3 Controller-Modulen im Dell PowerConnect W-6000 müssen die folgenden Bedingungen erfüllt sein:

- Das erste W-6000M3 Controller-Modul muss entweder in Steckplatz 0 oder Steckplatz 1 des W-6000-Gehäuses eingesetzt werden. W-6000M3-Module in Steckplatz 2 oder Steckplatz 3 werden nicht gestartet, wenn in Steckplatz 0 oder Steckplatz 1 kein W-6000M3 eingesetzt ist. Die Nummerierung und Position der Steckplätze im Dell W-6000-Gehäuse können Sie [Abbildung 6](#) entnehmen.
Steckplatz 0 oder Steckplatz 1 muss vor Steckplatz 2 oder Steckplatz 3 besetzt werden, da die Kommunikation wie folgt abläuft:
 - Steckplatz 0 kommuniziert mit Steckplatz 2 und/oder Steckplatz 3
 - Steckplatz 1 kommuniziert mit Steckplatz 2 und/oder Steckplatz 3
- Das W-6000M3-Modul ist nur für den Einbau in das W-6000-Gehäuse mit 400-W-Netzteilen konzipiert. Details können Sie [„Stromversorgung“ auf Seite 8](#) entnehmen.
- Vor der Installation des W-6000M3 müssen die Mindestvoraussetzungen für die Software erfüllt sein. Details können Sie [„Mindestvoraussetzungen für die Software“ auf Seite 1](#) entnehmen.

Abbildung 6 Steckplatzkonfiguration beim W-6000



- Die Konfigurationsoptionen sind auch vom Energiebedarf der einzelnen Module abhängig. Details können Sie [„Stromversorgung“ auf Seite 8](#) entnehmen.

Installation



VORSICHT: Viele Reparaturvorgänge können nur von zertifiziertem Fachpersonal ausgeführt werden. Sie sollten nur Schritte zur Fehlerbehebung und einfache Reparaturen ausführen, die in der Produktdokumentation beschrieben sind, oder die Ihnen online oder telefonisch vom Supportteam mitgeteilt werden. Schäden aufgrund von Reparaturarbeiten, die nicht von Dell autorisiert wurden, werden nicht von der Garantie abgedeckt. Lesen und befolgen Sie die Sicherheitsanleitungen, die Sie mit dem Produkt enthalten haben.

Anforderungen vor der Installation

Folgendes ist für die Installation eines W-6000M3-Moduls erforderlich:

- Vorinstalliertes Dell PowerConnect W-6000 Controller-Gehäuse (separat erhältlich)
- Antistatikband für das Handgelenk (nicht im Lieferumfang enthalten)
- Kreuzschlitzschraubendreher #2 (nicht im Lieferumfang enthalten)
- Dell PowerConnect W-6000M3 Controller-Modul(e)

Physische Installation

So bauen Sie ein W-6000M3-Modul in ein W-6000-Gehäuse ein:

1. Befolgen Sie bei der Installation eines W-6000M3 die üblichen Vorsichtsmaßnahmen, um elektrostatische Entladungen zu vermeiden.



HINWEIS: Da das Dell W-6000M3 Controller-Modul Hot-Swapping-fähig ist, also bei laufendem Betrieb ausgetauscht werden kann, kann die Stromversorgung des Gehäuses EIN oder AUS sein.

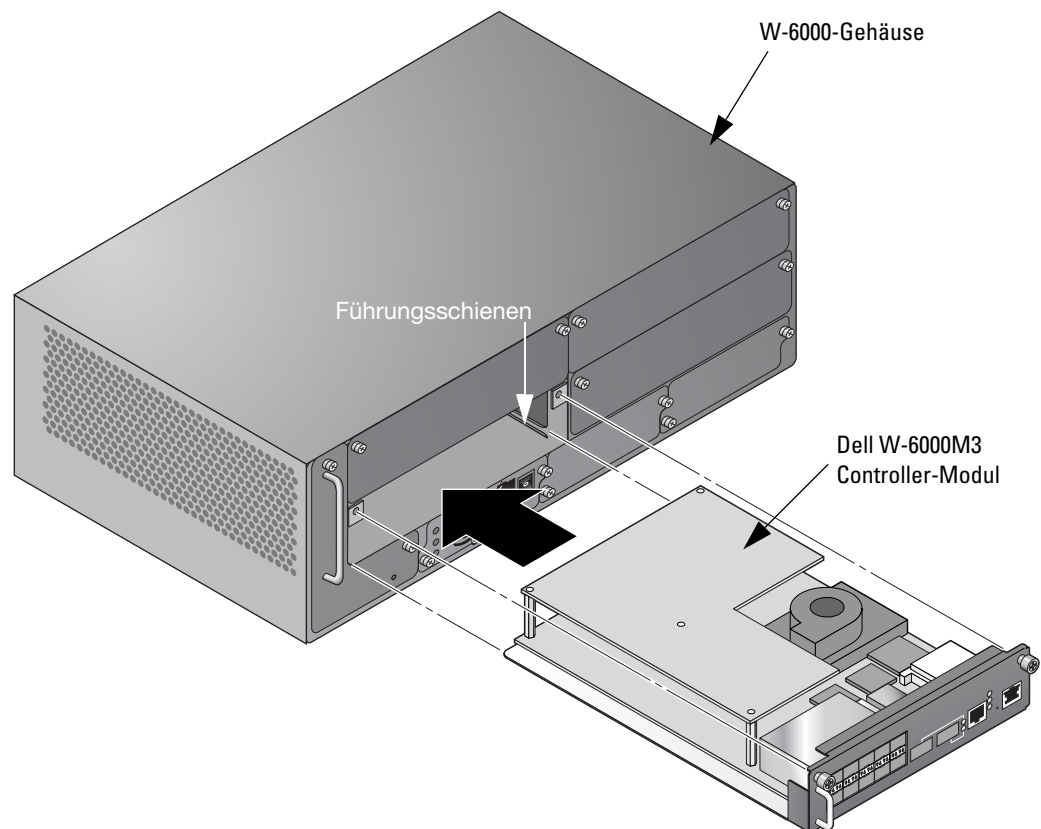
2. Nehmen Sie ggf. die leere Abdeckung bzw. ein vorhandenes Modul aus dem entsprechenden Steckplatz im W-6000-Gehäuse.



HINWEIS: Dell empfiehlt, nicht besetzte Steckplätze bei einem W-6000 mit einer leeren Abdeckung zu schützen. Die leere Abdeckung ist für die richtige Kühlung und Luftzirkulation im W-6000 erforderlich.

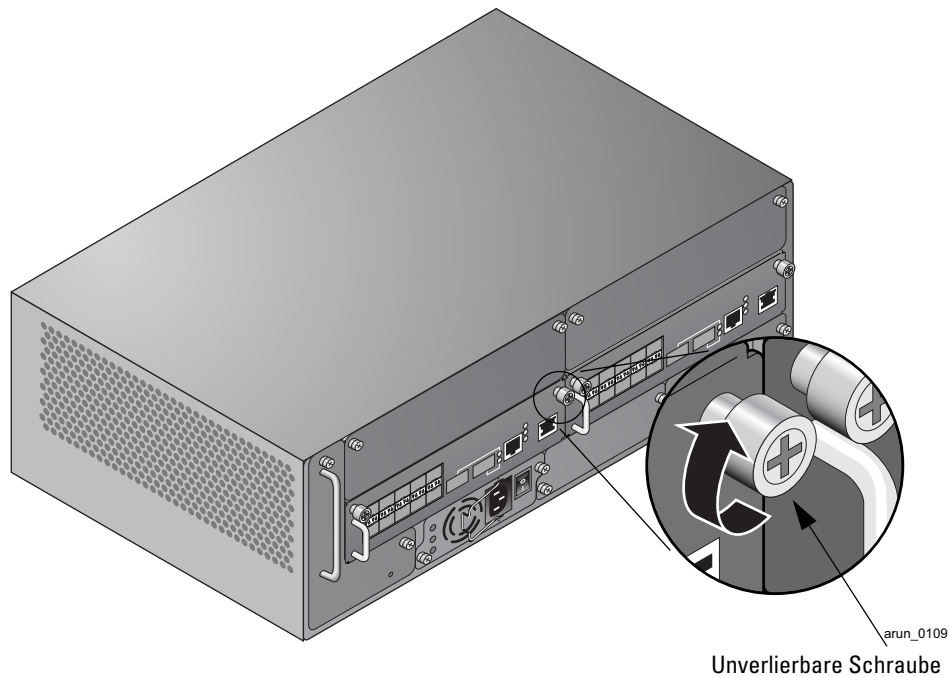
3. Nehmen Sie das W-6000M3-Modul aus dem Versandkarton und aus der Antistatikhülle.
4. Setzen Sie das W-6000M3-Modul an den Führungsschienen in den W-6000 ein. Das W-6000M3 muss zur richtigen Installation in den Führungsschienen sitzen (siehe [Abbildung 7](#)).

Abbildung 7 Einsetzen eines W-6000M3



5. Sichern Sie das W-6000M3 am W-6000, indem Sie die beiden unverlierbaren Schrauben mit einem Kreuzschlitzschraubendreher #2 festziehen (siehe [Abbildung 8](#)). Ziehen Sie die Schrauben im Uhrzeigersinn fest, aber überdrehen Sie sie nicht.

Abbildung 8 Sichern eines W-6000M3



Erstmalige Einrichtung und Netzwerkkonnektivität

Nach dem Abschluss der physischen Installation führen Sie die erstmalige Einrichtung auf dem W-6000M3 aus, um die IP-Adresse des Moduls (in der ArubaOS-Dokumentation als Controller bezeichnet) und andere grundlegende Systeminformationen zu konfigurieren. Ausführliche Anweisungen finden Sie im *Dell PowerConnect ArubaOS Quick Start Guide* (Kurzanleitung) für die auf Ihrem Controller installierte Softwareversion.

Ausbau

1. Befolgen Sie beim Ausbau eines W-6000M3 die üblichen Vorsichtsmaßnahmen, um elektrostatische Entladungen zu vermeiden.



HINWEIS: Da das Dell W-6000M3 Controller-Modul Hot-Swapping-fähig ist, also bei laufendem Betrieb ausgetauscht werden kann, kann die Stromversorgung des Gehäuses EIN oder AUS sein.

2. Drehen Sie die unverlierbaren Schrauben gegen den Uhrzeigersinn und lösen Sie das W-6000M3.
3. Nehmen Sie das W-6000M3 aus dem W-6000.
4. Setzen Sie leere Abdeckungen in die unbesetzten Steckplätze ein.



HINWEIS: Dell sieht vor, dass nicht besetzte Steckplätze bei einem Dell W-6000-Gehäuse mit einer leeren Abdeckung geschützt werden. Die leere Abdeckung ist für die richtige Kühlung und Luftzirkulation im W-6000 erforderlich.

Stromversorgung

Der W-6000 Controller unterstützt bis zu drei 400-W-Netzteile. Wenn Sie ein bis zwei primäre Netzteile für 400 bis 800 W Hauptstrom verwenden, ist es möglich, ein redundantes 400-W-Netzteil zu verwenden.

Für eine Planung der maximalen Kapazität addieren Sie den maximalen Leistungsbedarf aller Module in Ihrer Gehäusekonfiguration, um so die Anzahl der erforderlichen Netzteile zu bestimmen.

W-6000M3-Modul- und Netzteilkonfigurationstabelle

In der folgenden Tabelle sind die Konfigurationen des W-6000M3-Moduls und die sich daraus ergebenden Netzteilkonfigurationen und Energiedaten aufgeführt.

Tabelle 3 Netzteil- und Modulkonfigurationen

Modul	Anzahl der Einheiten			
	1	2	3	4
W-6000M3 Controller-Modul (je 130 W max. Leistungsbedarf)	1	2	3	4
Gesamtleistungsaufnahme (W)	130	260	390	520
Erforderliche Anzahl Netzteile	1	1	1	2
Redundante Anzahl Netzteile	1 oder 2	1 oder 2	1 oder 2	1

Sicherheits- und Zulassungsbestimmungen



HINWEIS: Weitere Informationen zu Sicherheit, Konformität und Zulassungsbestimmungen finden Sie im Dell PowerConnect W-6000 Installationshandbuch. Die neueste technische Produktdokumentation, darunter Benutzerhandbücher, Referenzhandbücher und Installationsanleitungen, finden Sie unter support.dell.com/manuals

Dell stellt ein mehrsprachiges Dokument bereit, das landesspezifische Einschränkungen sowie zusätzliche Sicherheits- und Zulassungsbestimmungen für Hardwareprodukte von Dell enthält. Sie können das *Aruba Safety and Regulatory Addendum* auf der folgenden Webseite anzeigen oder herunterladen: dell.com.



VORSICHT: Die Verwendung von Bedienelementen, die Änderung von Einstellungen und die Durchführung von Schritten, die in diesem Handbuch nicht angegeben sind, kann zur Freisetzung gefährlicher Strahlung führen.

Dieses Produkt entspricht 21 CFR Kapitel 1, Unterkapitel J, Teil 1040.10, und IEC 60825-1: 1993, A1: 1997, A2: 2001, IEC 60825-2: 2000.

Zur fortgesetzten Konformität mit den oben genannten Laser-Sicherheitsstandards sollten in Aruba-Produkten nur zugelassene Module der Klasse 1 von unseren anerkannten Anbietern installiert werden.

This device complies with Part 15 of the FCC Rules. Operation is subject to the following two conditions: (1) this device may not cause harmful interference, and (2) this device must accept any interference received, including interference that may cause undesired operation.

**This Class A digital apparatus complies with Canadian ICES-003.
Cet appareil numérique de la classe A est conforme à la norme NMB-003 du Canada.**

Apparatet må tilkoples jordet stikkontakt.

Laite on liitettävä suojamaadoituskoskettimilla varustettuun pistorasiaan.

この装置は、クラス A 情報技術装置です。この装置を家庭環境で使用すると電波妨害を引き起こすことがあります。この場合には使用者が適切な対策を講ずるよう要求されることがあります。 VCCI-A

Ordnungsgemäße Entsorgung von Dell-Geräten

Aktuelle Informationen zur Konformität mit globalen Umweltschutzbestimmungen von Dell-Produkten finden Sie auf unserer Website unter dell.com.

Verwertung von Elektro- und Elektronikaltgeräten



Dell-Produkte müssen am Ende ihrer Standzeit in den Mitgliedsstaaten der EU, Norwegen und der Schweiz separat gesammelt und verwertet werden und sind daher durch das links abgebildete Symbol (durchgestrichene Mülltonne) gekennzeichnet. Bei der Verwertung dieser Produkte am Ende der Standzeit müssen in diesen Ländern die geltenden nationalen Gesetze unter Einbeziehung der Richtlinie 2002/96EC für die Verwertung von Elektro- und Elektronikaltgeräten (WEEE) eingehalten werden.

RoHS-Richtlinie der Europäischen Union



Dell-Produkte erfüllen die RoHS-Richtlinie 2002/95/EC (Restriction of Hazardous Substances, Beschränkung gefährlicher Substanzen). Die RoHS-Richtlinie der EU schränkt die Verwendung gefährlicher Substanzen bei der Herstellung von elektrischen und elektronischen Produkten ein. Insbesondere Blei (einschließlich Lötzinn in elektronischen Leiterplatten), Cadmium, Quecksilber, sechswertiges Chrom und Brom gehören laut RoHS-Richtlinie zu den einzuschränkenden Werkstoffen. Für einige Dell-Produkte gelten die Ausnahmen, die in Anhang 7 der RoHS-Richtlinie aufgeführt sind (Lötzinn in elektronischen Leiterplatten). Produkte und Verpackung sind mit dem RoHS-Kennzeichen (links abgebildet) gekennzeichnet, um die Konformität mit dieser Richtlinie anzuzeigen.

Kontaktaufnahme mit Dell

Tabelle 4 Website-Kontakt

Website-Support	
Hauptwebsite	dell.com
Support-Website	support.dell.com
Dell-Dokumentation	support.dell.com/manuals

Copyright

© 2011 Aruba Networks, Inc. AirWave®, Aruba Networks®, Aruba Mobility Management System® und andere eingetragene Marken sind Marken von Aruba Networks, Inc. Dell™, das DELL™-Logo und PowerConnect™ sind Marken von Dell Inc.

Alle Rechte vorbehalten. Spezifikationen in diesem Handbuch können ohne Ankündigung geändert werden.

Hergestellt in den USA. Alle anderen Marken, die in diesem Handbuch erwähnt werden, sind das Eigentum der jeweiligen Unternehmen.

Open Source Code

Bestimmte Aruba-Produkte enthalten Open Source-Softwarecode, der von Drittanbietern entwickelt wurde, darunter Softwarecode gemäß GNU General Public License (GPL), GNU Lesser General Public License (LGPL) oder anderen Open Source-Lizenzen. Den Open Source Code finden Sie auf dieser Website:

http://www.arubanetworks.com/open_source

Rechtliche Hinweise

Die Verwendung von Switching-Plattformen und Software von Aruba Networks, Inc. durch Einzelpersonen oder Unternehmen zur Terminierung von VPN-Client-Geräten anderer Hersteller stellt die vollständige Anerkennung der Haftbarkeit dieser Einzelpersonen oder dieses Unternehmens für diese Aktion dar und enthebt Aruba Networks, Inc. zur Gänze aller rechtlichen Maßnahmen, die bezüglich der Verletzung des Urheberrechts im Namen dieser Hersteller ergriffen werden.



Module contrôleur Dell PowerConnect W-6000M3

Guide d'installation

Introduction

Le Module contrôleur Dell PowerConnect W-6000M3 est un module Contrôleur remplaçable à chaud à utiliser dans un châssis Dell W-6000 Contrôleur. Le châssis contrôleur W-6000 permet d'installer quatre modules W-6000M3, pouvant être configurés en mode maître ou local contrôleur. Chaque module de contrôleur W-6000M3 peut prendre en charge 512 points d'accès connectés en campus. Pour plus de détails sur les options de compatibilité et configuration, consultez la section « [Options de configuration](#) » à la page 5.

Configuration requise

Le module contrôleur W-6000M3 nécessite ArubaOS 5.0.3 ou plus récent.



REMARQUE : Le contrôleur maître, son contrôleur maître redondant et tous les contrôleurs locaux doivent employer la même version d'ArubaOS. Lorsque vous mettez à niveau votre réseau et installez un module Contrôleur W-6000M3 sur votre réseau, assurez-vous que la version logicielle du module contrôleur W-6000M3 correspond à celle du reste du réseau. Si le code fourni avec le module est plus ancien que la version mise en œuvre sur votre réseau, vous devez mettre à jour le code sur le module W-6000M3 contrôleur de façon à disposer de la même version que le réseau.

Contrôle du contenu de l'emballage

- *Module Contrôleur Dell PowerConnect W-6000M3*
- *Guide d'installation du Module contrôleur Dell PowerConnect W-6000M3*
- *Guide de prise en main de Dell PowerConnect*
- *Contrat de licence utilisateur final (CLUF)*
- *Document « Safety, Environmental, and Regulatory Information (SERI) »*
- *Document « Informations concernant la garantie et le support (WSI) »*



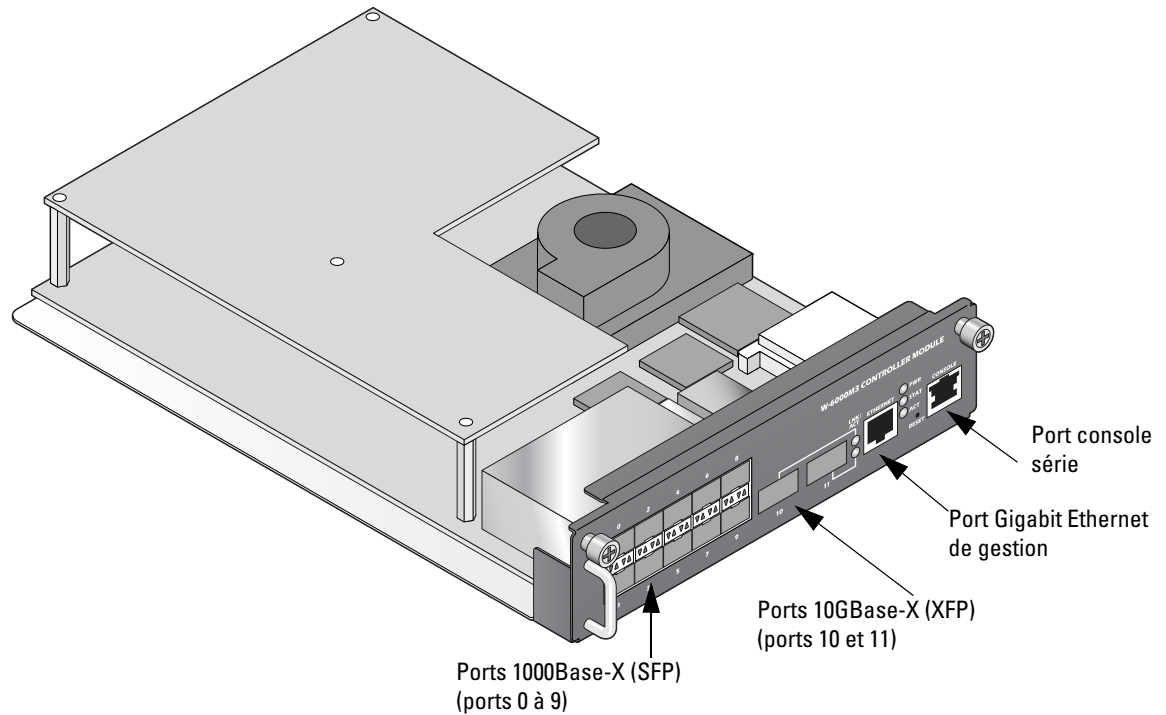
REMARQUE : Informez votre fournisseur si l'un des éléments est incorrect, manquant ou endommagé. Si possible, conservez le carton, ce qui inclut l'emballage d'origine. Vous disposerez ainsi de tout le nécessaire en cas de renvoi de matériel au fournisseur.



REMARQUE : Des accessoires en option, tels que des modules SFP et XFP, sont disponibles pour l'utilisation avec le W-6000M3 et sont vendus séparément. Contactez votre représentant Dell pour plus de détails et obtenir de l'assistance.

Vue d'ensemble du matériel

Illustration 1 Module Contrôleur W-6000M3



Ports

Ports 1000 Base-X (SFP)

Les ports 0 à 9 du W-6000M3 sont des ports 1000Base-X (SFP) assurant la connectivité fibre ou cuivre et sont conçus pour être utilisés avec les SPF Dell agréés.



REMARQUE : Dell teste et prend en charge les pièces optiques Dell au sein de ses systèmes de contrôle. Les pièces optiques de fabricants tiers ne sont ni testées ni prises en charge ; par conséquent, Dell ne garantit pas la fonctionnalité des pièces optiques de tiers. Pour plus de détails concernant les SFP Dell agréés, consultez le *Dell PowerConnect W-Series SFP Optical Modules Installation Guide* (Guide d'installation des modules optiques SFP série W Dell PowerConnect).

Ports 10GBase-X (XFP)

Les ports 10 et 11 du W-6000M3 sont des ports fibre optique 10GBase-X conçus pour les connexions Dell XFP. Les ports XFP sont des émetteurs/récepteurs optiques de 10 Gbits, remplaçables à chaud, qui convertissent les signaux électriques série en signaux série externes, optiques ou électriques.



REMARQUE : Dell teste et prend en charge les pièces optiques Dell au sein de ses systèmes de contrôle. Les pièces optiques de fabricants tiers ne sont ni testées ni prises en charge ; par conséquent, Dell ne garantit pas la fonctionnalité des pièces optiques de tiers. Pour plus de détails concernant les XFP Dell agréés, et notamment les spécifications techniques et les instructions d'installation, consultez le *Dell PowerConnect W-Series XFP Optical Modules Installation Guide* (Guide d'installation des modules optiques SFP série W Dell PowerConnect).

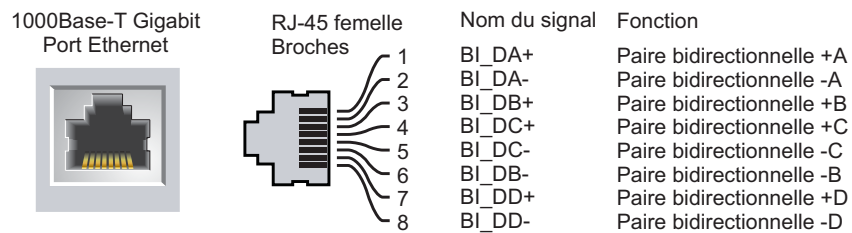
Port Gigabit Ethernet de gestion

Il s'agit d'un port Gigabit Ethernet 10/100/1000Base-T (RJ-45). Gigabit Ethernet emploie les huit brins et chaque paire est utilisée de façon bidirectionnelle, ce qui signifie que les mêmes paires sont utilisées pour la transmission et la réception des données. Ce port prend également en charge la fonctionnalité Auto MDIX, qui permet d'utiliser aussi bien des câbles croisés que des câbles droits. L'illustration 2 présente le brochage CAT-5 d'un connecteur RJ-45. Le connecteur RJ-45 CAT-5 utilise les paires suivantes sur un port Ethernet Gigabit 10/100/1000Base-T : 1/2, 3/6, 4/5 et 7/8.



REMARQUE : Le trafic Ethernet de ce port est hors bande. Ce port a été isolé des fonctionnalités traditionnelles de commutation et de routage, et ne peut pas être utilisé en tant que port de données réseau.

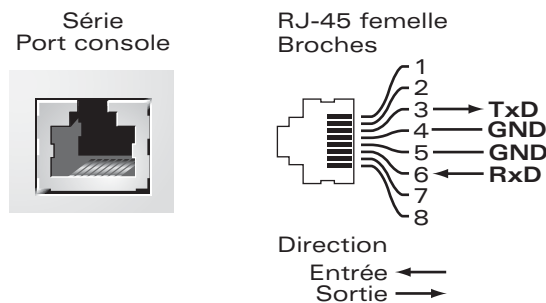
Illustration 2 Brochage du port Ethernet Gigabit



Port console série

Un port console série est prévu pour la connexion à un terminal, ce qui autorise une gestion locale directe. Le connecteur femelle RJ-45 du port permet de connecter un câble série RS-232 avec un connecteur mâle.

Illustration 3 Brochage du port console série



Les paramètres de communication du port série figurent dans la section [Tableau 1](#).

Tableau 1 Critères de configuration requise

Débit en bauds	Bits de données	Parité	Bits d'arrêt	Contrôle du flux
9600	8	Aucun	1	Aucun

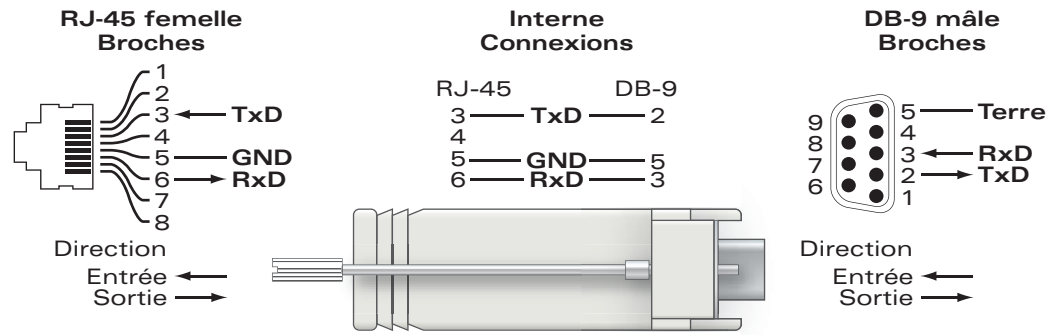


ATTENTION : Ne connectez pas de point d'accès au port de la console série. Le port de la console série est compatible uniquement avec les périphériques RS-232. Les périphériques non RS-232, tels que les points d'accès, ne sont pas pris en charge et provoquent la panne du contrôleur.

Adaptateur de port de console série

Un adaptateur modulaire permet de convertir le connecteur RJ-45 (femelle) en connecteur DB9 (mâle). Consultez l'[Illustration 4](#) pour plus de détails.

Illustration 4 Conversion d'adaptateur modulaire RJ-45 (femelle) vers DB9 (mâle)



Voyants d'état

Le [Tableau 2](#) décrit les voyants du W-6000M3 (voir l'[Illustration 5](#)) et leur fonctionnalité.

Illustration 5 Panneau avant et voyants du W-6000M3

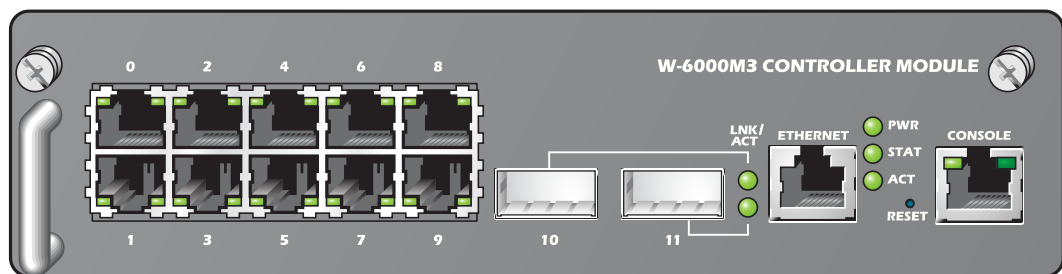


Tableau 2 Comportement des voyants du W-6000M3

Voyant	Fonction	Indicateur	Statut
PWR	État de l'entrée d'alimentation	Allumé (vert)	Sous tension
		Éteint	Pas d'alimentation
STAT	Voyant d'état du module	Allumé (vert)	Le périphérique est opérationnel
		Allumé (orange)	Le périphérique est en cours de démarrage
		Allumé (rouge)	Échec du périphérique
		Éteint	Le périphérique charge le logiciel ou n'est pas alimenté
ACT	Indicateur de mode du module	Allumé (vert)	Le périphérique est actif.
		Allumé (jaune)	Le périphérique est en veille.
		Éteint	Le périphérique n'a pas déterminé l'état opérationnel ou n'est pas sous tension.
LNK/ACT	Voyant d'état de la liaison	Sous tension (vert fixe)	Une liaison a été établie
		Sous tension (vert clignotant)	Le port transmet ou reçoit des données.
		Éteint	Pas de liaison sur le port

Options de configuration

Critères de configuration

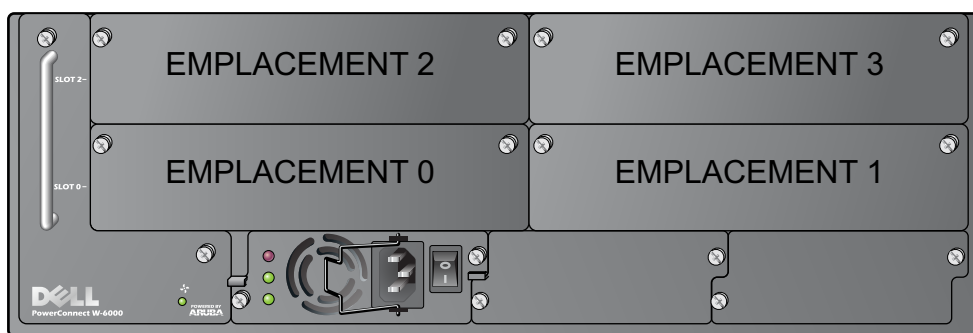
Il est essentiel d'appliquer les instructions suivantes lors de l'exploitation des modules Contrôleur W-6000M3 avec le Dell PowerConnect W-6000 :

- Le premier module Contrôleur W-6000M3 doit être installé dans l'emplacement 0 ou 1 du châssis du W-6000. Les modules W-6000M3 des emplacements 2 ou 3 ne démarreront pas si aucun W-6000M3 n'est présent dans l'emplacement 0 ou 1. Consultez l'[Illustration 6](#) pour identifier les ID d'emplacements et leur position sur le châssis du Dell W-6000.

L'emplacement 0 ou 1 doit être rempli avant l'emplacement 2 ou 3 dans la mesure où la communication du panneau arrière suit l'ordre ci-dessous :

- l'emplacement 0 communique avec l'emplacement 2 et/ou 3 ;
- l'emplacement 1 communique avec l'emplacement 2 et/ou 3.
- Le module W-6000M3 a été conçu pour l'installation sur le châssis du W-6000 et pour fonctionner avec une alimentation de 400 W uniquement. Consultez « [Gestion de l'alimentation](#) » à la [page 8](#) pour plus de détails.
- La configuration logicielle requise minimale doit être établie avant d'installer le W-6000M3. Consultez « [Configuration requise](#) » à la [page 1](#) pour plus de détails.

Illustration 6 Configuration des emplacements du W-6000



- Les options de configuration dépendent également de la consommation de chaque module. Consultez « [Gestion de l'alimentation](#) » à la [page 8](#) pour plus de détails.

Installation



ATTENTION : La plupart des réparations nécessitent l'intervention d'un technicien. Vous ne devez effectuer que les dépannages et les réparations autorisées dans la documentation de votre produit, ou spécifiées par le service d'assistance en ligne ou téléphonique et l'équipe d'assistance. Tout dommage lié à des réparations non autorisées par Dell n'est pas couvert par votre garantie. Consultez et appliquez les procédures de sécurité accompagnant le produit.

Préparation de l'installation

Les outils et l'équipement suivant sont requis pour l'installation d'un module W-6000M3 :

- Châssis de contrôleur Dell PowerConnect W-6000 pré-installé (vendu séparément)
- Bracelet de prévention des décharges d'électricité statique (non fourni)
- Tournevis cruciforme (non fourni)
- Module(s) de contrôleur Dell PowerConnect W-6000M3

Installation physique

Procédure d'installation d'un module W-6000M3 sur un châssis W-6000 :

1. Appliquez les procédures standard de protection contre les décharges d'électricité statique lors de l'installation d'un W-6000M3.



REMARQUE : Le module contrôleur Dell W-6000M3 ne peut pas être remplacé à chaud et l'alimentation du châssis peut être en position Marche ou Arrêt.

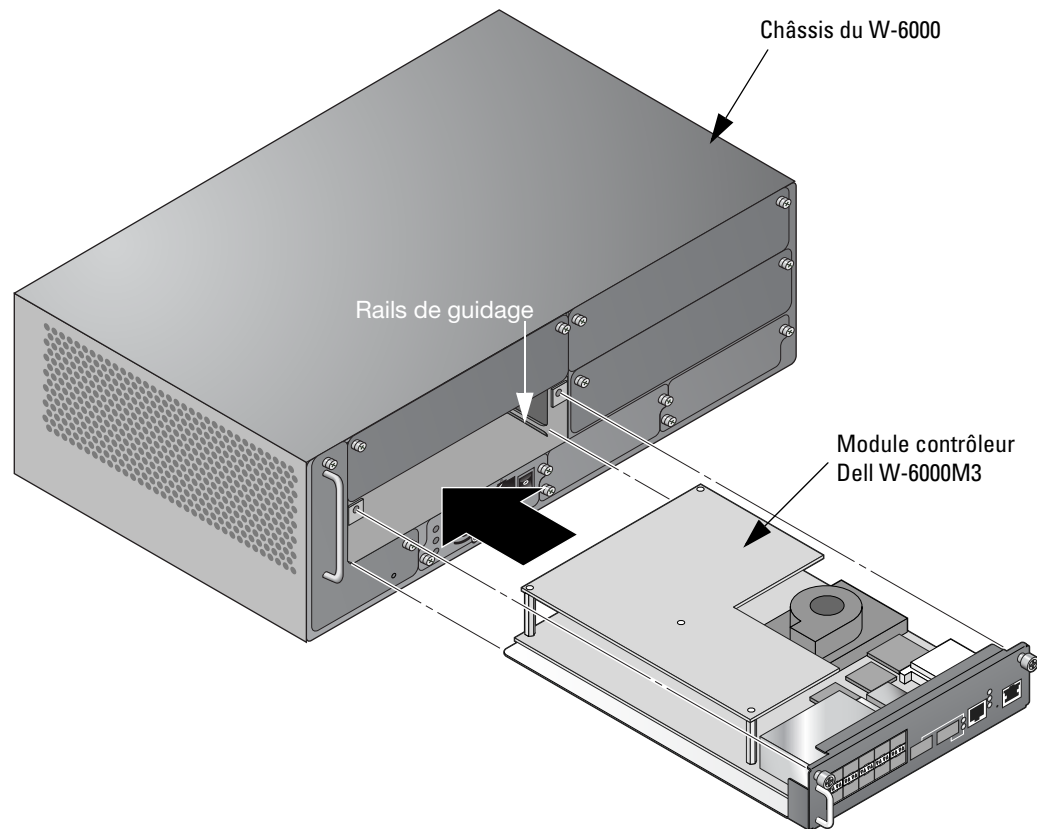
2. Déposez le cache avant ou le module existant de l'emplacement cible du châssis du W-6000 (le cas échéant).



REMARQUE : Dell recommande d'utiliser de placer une plaque d'obturation sur tous les emplacements non utilisés du W-6000. Le panneau avant est requis pour le refroidissement et la circulation d'air dans le W-6000.

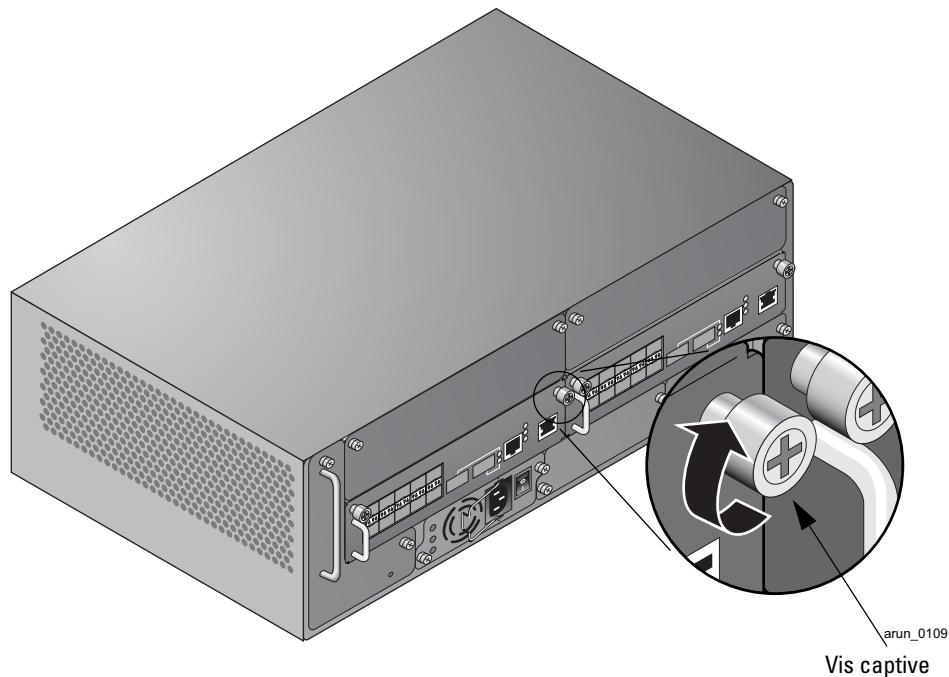
3. Enlevez le module W-6000M3 du carton d'expédition et l'emballage anti-statique.
4. Faites glisser le W-6000M3 dans le W-6000 au moyen des rails de guidage. Le W-6000M3 doit être installé entre les rails de guidage (voir [Illustration 7](#)).

Illustration 7 Installation d'un W-6000M3



5. Fixez le W-6000M3 sur le W-6000 en serrant les deux vis captives au moyen d'un tournevis cruciforme (voir [Illustration 8](#)). Faites tourner les vis captives dans le sens anti-horaire jusqu'à ce qu'elles soient serrées et ne peuvent pas être desserrées à la main. Ne forcez pas les vis.

Illustration 8 Fixation d'un W-6000M3



Configuration initiale et connectivité réseau

Une fois l'installation physique terminée, procédez à la configuration initiale du W-6000M3 de façon à définir l'adresse IP du module (désigné comme le contrôleur dans la documentation du ArubaOS) et autres informations système de base. Pour des informations complètes et des instructions, consultez le guide de prise en main *Dell PowerConnectArubaOS* correspondant à la version logicielle de votre contrôleur.

Retrait

1. Appliquez les procédures standard de protection contre les décharges d'électricité statique lors du retrait d'un W-6000M3.



REMARQUE : Le module contrôleur Dell W-6000M3 ne peut pas être remplacé à chaud et l'alimentation du châssis peut être en position Marche ou Arrêt.

2. Faites tourner les vis captives dans le sens anti-horaire pour les desserrer et libérer le W-6000M3.
3. Faites glisser et enlevez le W-6000M3 du W-6000.
4. Montez une plaque d'obturation sur les emplacements non utilisés.



REMARQUE : Dell recommande d'utiliser de placer une plaque d'obturation sur tous les emplacements non utilisés du châssis Dell W-6000. Le panneau avant est requis pour le refroidissement et la circulation d'air dans le W-6000.

Gestion de l'alimentation

Le contrôleur W-6000 permet de brancher jusqu'à trois alimentations de 400 W. Si vous utilisez une ou deux alimentations primaires pour assurer une puissance cumulée de 400 à 800 W, il est possible de compléter l'installation par un module redondant de 400 W.

Afin d'optimiser la capacité, additionnez la puissance requise pour l'ensemble des modules de votre châssis afin de déterminer le nombre de modules d'alimentation nécessaires.

Table de configuration du module W-6000M3 et de l'alimentation

La table suivante affiche les configurations du module W-6000M3, ainsi que les configurations d'alimentation résultantes et la puissance disponible.

Tableau 3 Configurations de l'alimentation et des modules

Module	Nombre d'unités			
Module Contrôleur W-6000M3 (130 W max. de puissance par module)	1	2	3	4
Puissance totale (W)	130	260	390	520
Nombre requis d'alimentations	1	1	1	2
Nombre redondant d'alimentations	1 ou 2	1 ou 2	1 ou 2	1

Sécurité et conformité aux réglementations



REMARQUE : Pour plus de détails sur la sécurité, la conformité et les règlements en vigueur, consultez le guide d'installation du contrôleur Dell PowerConnect W-6000. Pour télécharger la documentation technique la plus récente, ce qui inclut les Guides de l'utilisateur, les Guides de référence et les Guides d'installation, consultez la section support.dell.com/manuals

Dell fournit un document en plusieurs langues contenant les restrictions propres aux différents pays, ainsi que des informations de sécurité et réglementaires pour tous les produits matériels Dell. Le document *Aruba Safety and Regulatory Addendum* peut être consulté à l'emplacement suivant : dell.com.



ATTENTION : L'application de commandes ou de réglages de performances ou de procédures qui ne sont pas spécifiées dans ce manuel risque d'entraîner une exposition à des rayonnements dangereux.

Ce produit est conforme aux normes 21 CFR, chapitre 1, alinéa J, référence 1040.10 et IEC 60825-1: 1993, A1: 1997, A2: 2001, IEC 60825-2: 2000.

Pour assurer la pérennité de la conformité aux normes de sécurité laser ci-dessus, seuls les modules agréés de classe 1 provenant de nos fournisseurs agréés doivent être installés avec les produits Dell.

This device complies with Part 15 of the FCC Rules. Operation is subject to the following two conditions: (1) this device may not cause harmful interference, and (2) this device must accept any interference received, including interference that may cause undesired operation.

**This Class A digital apparatus complies with Canadian ICES-003.
Cet appareil numérique de la classe A est conforme à la norme NMB-003 du Canada.**

Apparatet må tilkoples jordet stikkontakt.

Laite on liitettävä suojamaadoituskoskettimilla varustettuun pistorasiaan.

この装置は、クラス A 情報技術装置です。この装置を家庭環境で使用すると電波妨害を引き起こすことがあります。この場合には使用者が適切な対策を講ずるよう要求されることがあります。 VCCI-A

Procédure de mise au rebut de l'équipement Dell

Pour consulter les informations les plus récentes sur la conformité aux normes de protection de l'environnement des produits Dell, consultez notre site Web, dell.com.

Mise au rebut des équipements électriques et électroniques



Les produits Dell en fin de cycle utile sont soumis à des pratiques de collecte et de traitement différentes dans les pays membres de l'UE, en Norvège et en Suisse, et par conséquent portent le symbole illustré à gauche (poubelle barrée). Le traitement appliqué aux produits en fin de cycle utile doit se conformer aux règlements des pays qui mettent en œuvre la directive 2002/96EC sur les déchets d'équipements électriques et électroniques (DEEE).

Directive de l'Union Européenne sur les substances dangereuses



Les produits Dell sont également conformes à la directive européenne RoHS (Restriction of Hazardous Substances) 2002/95/CE. La directive RoHS de l'UE limite l'utilisation de certains matériaux dangereux dans la fabrication des équipements électriques et électroniques. De façon plus précise, les matériaux interdits par la directive RoHS sont le plomb (ce qui inclut les soudures des assemblages de circuits imprimés), le cadmium, le mercure, le chrome hexavalent et le brome. Certains produits Dell sont exemptés conformément aux spécifications de l'annexe 7 de la directive RoHS (plomb utilisé dans les soudures des assemblages de circuits imprimés). Les produits et les emballages portent le symbole « RoHS » indiqué à gauche conformément à cette directive.

Contacteur Dell

Tableau 4 Site Web

Assistance Web	
Site Web principal	dell.com
Site Web d'assistance	support.dell.com
Documentation Dell	support.dell.com/manuals

Copyright

© 2011 Aruba Networks, Inc. AirWave®, Aruba Networks®, Aruba Mobility Management System®, et autres marques déposées sont des marques commerciales d'Aruba Networks, Inc. Dell™, le logo DELL™ et PowerConnect™ sont des marques de Dell Inc.

Tous droits réservés. Les spécifications données dans ce manuel sont sujettes à modifications sans préavis.

Conçu aux Etats-Unis. Toutes les autres marques figurant dans ce manuel appartiennent à leurs propriétés respectives.

Code Open Source

Certains produits Aruba incluent des logiciels en code Open Source développés par des tiers, ce qui inclut le code développé dans le cadre d'une licence GPL (GNU General Public License), LGPL (GNU Lesser General Public License) ou toute autre licence Open Source. Le code Open Source utilisé figure sur le site suivant :

http://www.arubanetworks.com/open_source

Mentions légales

L'utilisation des plates-formes de communication et des logiciels d'Aruba Networks, Inc. par des individus ou des entreprises, pour mettre fin à l'exploitation de périphériques clients VPN d'autres fournisseurs manifeste une acceptation complète par cet individu ou cette entreprise des responsabilités associées à cette action, et exonère totalement Aruba Networks, Inc. de toute procédure légale initiée par ces fournisseurs et relative au non respect du droit d'auteur.



Módulo del controlador Dell PowerConnect W-6000M3

Guía de instalación

Introducción

El módulo del controlador Dell PowerConnect W-6000M3 es un módulo de controlador con cambio en caliente para su uso con el chasis del controlador Dell W-6000. El chasis del controlador W-6000 puede contener hasta cuatro módulos del W-6000M3 y cada uno se puede configurar como controlador maestro o como local. Cada módulo del controlador W-6000M3 puede admitir hasta 512 puntos de acceso de campus conectados. Para conocer las opciones de compatibilidad y de configuración, consulte la [“Opciones de configuración” en la página 5](#).

Requisitos mínimos de software

El módulo del controlador W-6000M3 requiere ArubaOS 5.0.3 o versión posterior.



NOTA: el controlador maestro, su controlador maestro redundante y todos sus controladores locales deben ejecutarse con la misma versión de ArubaOS. Cuando haya actualizado la red e instalado el módulo del controlador W-6000M3 en ella, verifique que la versión del software del módulo del controlador W-6000M3 coincida con la del resto de la red. Si el código enviado en el módulo es anterior a la versión a la que ha actualizado la red, deberá actualizar el código del módulo del controlador W-6000M3 para que coincida con el del resto de la red.

Lista de comprobación del paquete

- *Módulo del controlador Dell PowerConnect W-6000M3*
- *Guía de instalación del módulo del controlador Dell PowerConnect W-6000M3*
- *Guía de inicio rápido de Dell PowerConnect*
- *Acuerdo de licencia de usuario final (EULA)*
- *Documento Información de seguridad, medioambiental y normativa (SERI)*
- *Documento de información sobre garantía y soporte (WSI)*



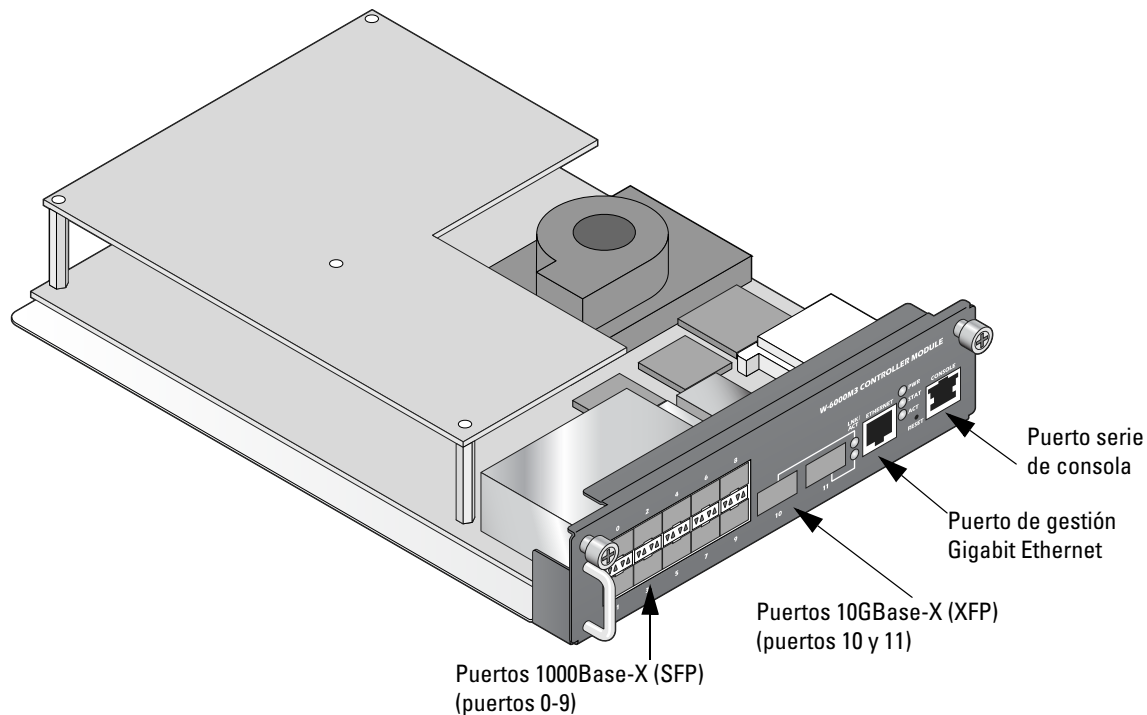
NOTA: póngase en contacto con la tienda si detecta alguna anomalía, nota que falta algo o descubre que hay piezas dañadas. Si es posible, guarde la caja y el material de protección original. Utilice este material para volver a empaquetar la unidad y enviarla a la tienda si es necesario.



NOTA: hay disponibles accesorios opcionales, como los módulos SFP y XFP, para su uso con el W-6000M3 y se pueden comprar por separado. Póngase en contacto con un representante de Dell para obtener más información y ayuda.

Vista general del hardware

Figura 1 Módulo del controlador W-6000M3



Puertos

Puertos 1000Base-X (SFP)

Los puertos del 0 al 9 del W-6000M3 son puertos 1000Base-X (SFP) para conectividad de fibra o de cobre y están diseñados para su uso con SFP aprobados de Dell.



NOTA: Dell prueba y da soporte a las ópticas de Dell en sus sistemas de controladores. Las ópticas de terceros no se prueban ni se proporciona soporte; por lo tanto, Dell no garantiza el funcionamiento correcto de las ópticas de terceros. Para obtener más información sobre los SFP de Dell aprobados, consulte la *Guía de instalación de módulos ópticos SFP de Dell PowerConnect W-Series*.

Puertos 10GBase-X (XFP)

Los puertos 10 y 11 del W-6000M3 son puertos 10GBase-X de fibra óptica para su uso con XFP de Dell. Los XFP son transceptores ópticos con cambio en caliente de 10 Gbit que convierten señales eléctricas en serie en señales eléctricas u ópticas externas en serie.



NOTA: Dell prueba y da soporte a las ópticas de Dell en sus sistemas de controladores. Las ópticas de terceros no se prueban ni se proporciona soporte; por lo tanto, Dell no garantiza el funcionamiento correcto de las ópticas de terceros. Para obtener más información sobre los XFP de Dell aprobados, como las especificaciones técnicas o las instrucciones de instalación, consulte la *Guía de instalación de módulos ópticos XFP de Dell PowerConnect W-Series*.

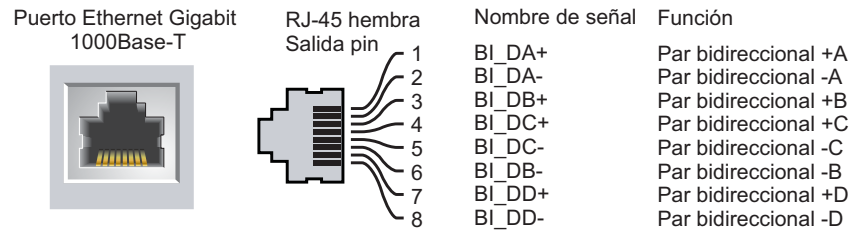
Puerto de gestión Gigabit Ethernet

Se trata de un puerto Gigabit Ethernet 10/100/1000Base-T (RJ-45). Gigabit Ethernet utiliza los ocho cables y cada par se utiliza de modo bidireccional. Esto significa que algunos pares se usan para transmisión de datos, y también para recepción. Este puerto también es compatible con Auto MDIX, permitiendo así el uso de la frecuencia de corte en cables rectos. La [Figura 2](#) ilustra los pines CAT-5 de un conector RJ-45. Los pines CAT-5 encajan con los siguientes pines de un puerto Gigabit Ethernet 10/100/1000Base-T: 1/2, 3/6, 4/5 y 7/8.



NOTA: el tráfico Ethernet de este puerto está fuera de banda; el puerto tiene limitadas las funciones de conmutación y enrutamiento y no se puede utilizar como puerto de datos de red.

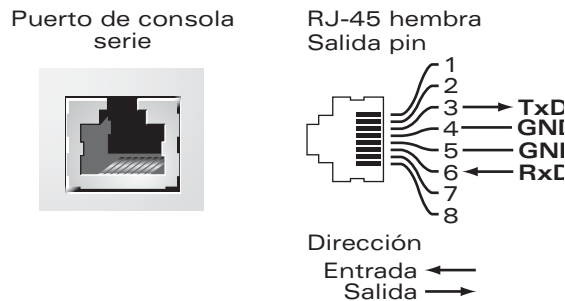
Figura 2 Pines del puerto Gigabit Ethernet



Puerto serie de consola

Se proporciona un puerto de consola para su conexión a un terminal y poder gestionar directamente de forma local. El conector hembra RJ-45 del puerto acepta un cable serie RS-232 con conector macho.

Figura 3 Pines del puerto serie de consola



Los parámetros de comunicación del puerto serie de consola se indican en la [Tabla 1](#).

Tabla 1 Requisitos de conexión en serie

Velocidad en baudios	Bits de datos	Paridad	Bits de parada	Control del flujo
9600	8	Ninguna	1	Ninguno

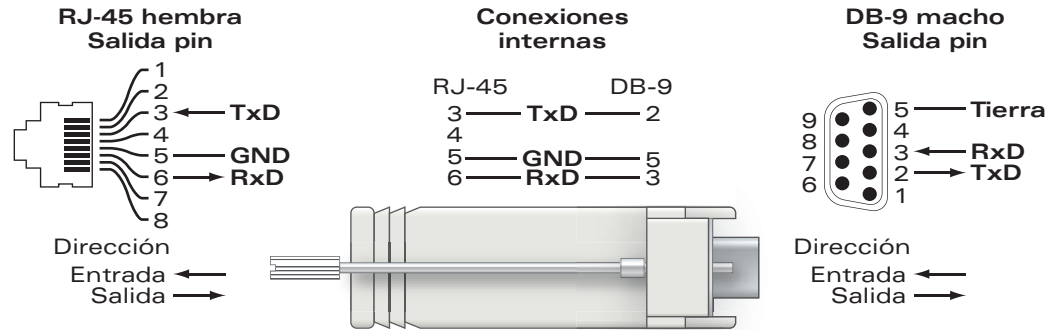


PRECAUCIÓN: no conectar un punto de acceso al puerto serie de consola. El puerto serie de consola solo es compatible con dispositivos RS-232. Los dispositivos no RS-232, como los puntos de acceso, no son compatibles y harán que el controlador falle.

Adaptador de puerto serie de consola

Se puede utilizar un adaptador modular para convertir el conector RJ-45 (hembra) en DB9 (macho). Consulte la [Figura 4](#) para obtener más información

Figura 4 Conversión de RJ-45 (hembra) a adaptador modular DB-9 (macho)



Indicadores LED de estado

La [Tabla 2](#) describe los LED de W-6000M3 (mostrados en la [Figura 5](#)) y sus funciones.

Figura 5 Panel frontal y LED del W-6000M3

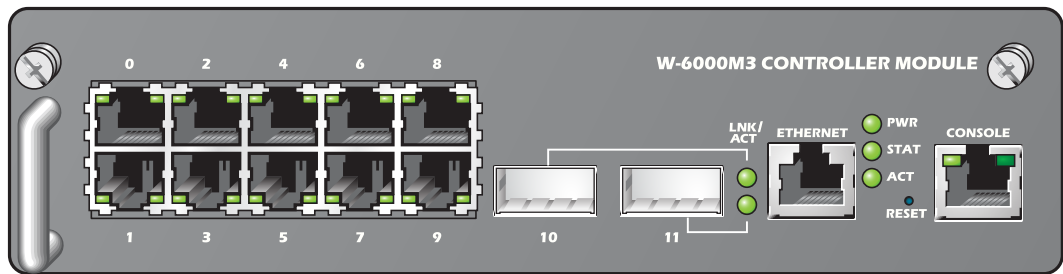


Tabla 2 Comportamiento del LED del W-6000M3

LED	Función	Indicador	Estado
PWR	Estado de alimentación de entrada	Encendido (verde)	Encendido
		Apagado	Sin alimentación
STAT	Indicador de estado del módulo	Encendido (verde)	El dispositivo está operativo
		Encendido (ámbar)	El dispositivo se está iniciando
		Encendido (rojo)	Dispositivo con errores
		Apagado	El dispositivo está cargando el software o no tiene alimentación
ACT	Indicador del modo del módulo	Encendido (verde)	El dispositivo está en modo activo
		Encendido (amarillo)	El dispositivo está en modo de espera
		Apagado	El dispositivo no ha determinado su estado de funcionamiento o no tiene alimentación
LNK/ACT	Indicador de estado del enlace	Encendido (verde fijo)	Enlace establecido
		Encendido (verde parpadeando)	El puerto transmite o recibe datos
		Apagado	No hay enlace en el puerto

Opciones de configuración

Requisitos de configuración

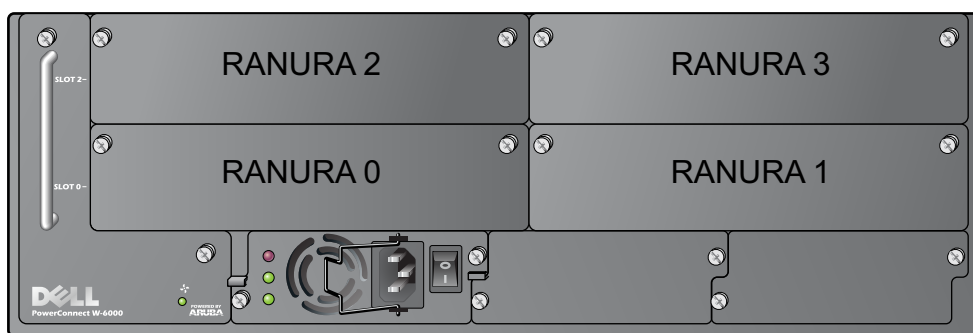
Se deben cumplir los siguientes requisitos para poder utilizar los módulos del controlador W-6000M3 en el Dell PowerConnect W-6000:

- El primer módulo del controlador W-6000M3 debe instalarse en la ranura 0 o en la ranura 1 del chasis del W-6000. Los módulos del W-6000M3 en la ranura 2 o en la ranura 3 no se iniciarán si no hay ningún W-6000M3 conectado en la ranura 0 o en la ranura 1. Consulte la [Figura 6](#) para saber más sobre los identificadores de las ranuras y su posición en el chasis del Dell W-6000.

La ranura 0 o la ranura 1 deben estar ocupadas para poder utilizar la ranura 2 o la ranura 3, ya que la comunicación en el plano posterior se produce de modo siguiente:

- La ranura 0 se comunica con la ranura 2 y/o con la ranura 3
- La ranura 1 se comunica con la ranura 2 y/o con la ranura 3
- El módulo del W-6000M3 está diseñado para instalarse en el chasis del W-6000 exclusivamente con fuentes de alimentación de 400 W. Consulte la [“Gestión de energía” en la página 8](#) para obtener más información.
- Se deben cumplir unos requisitos mínimos para poder instalar el W-6000M3. Consulte la [“Requisitos mínimos de software” en la página 1](#) para obtener más información.

Figura 6 Configuración de las ranuras del W-6000



- Las opciones de configuración también dependen de los requisitos de alimentación de cada módulo. Consulte la [“Gestión de energía” en la página 8](#) para obtener más información.

Instalación



PRECAUCIÓN: muchas reparaciones solo pueden ser llevadas a cabo por un técnico con formación. Usted solo debe intentar solucionar problemas menores y realizar reparaciones incluidas en la documentación del producto o según se describen en el servicio en línea y telefónico ofrecido por nuestro equipo de asistencia. Si daña la unidad intentando repararla de forma no autorizada por Dell, perderá la validez de la garantía. Lea las instrucciones de seguridad del producto y sígalas si lo necesita.

Requisitos previos a la instalación

Se requieren las siguientes herramientas y equipamiento para instalar un módulo del W-6000M3:

- Chasis del controlador Dell PowerConnect W-6000 preinstalado (se vende por separado)
- Correa de muñeca para evitar descargas electrostáticas (no incluido)
- Destornillador #2 Phillips (no incluido)
- Módulo(s) del controlador Dell PowerConnect W-6000M3

Instalación física

Para instalar un módulo del W-6000M3 en un chasis del W-6000:

1. Utilice las precauciones habituales para evitar descargas al instalar un W-6000M3.



NOTA: como el módulo del controlador Dell W-6000M3 se puede cambiar en caliente, la alimentación del chasis puede estar encendida o apagada.

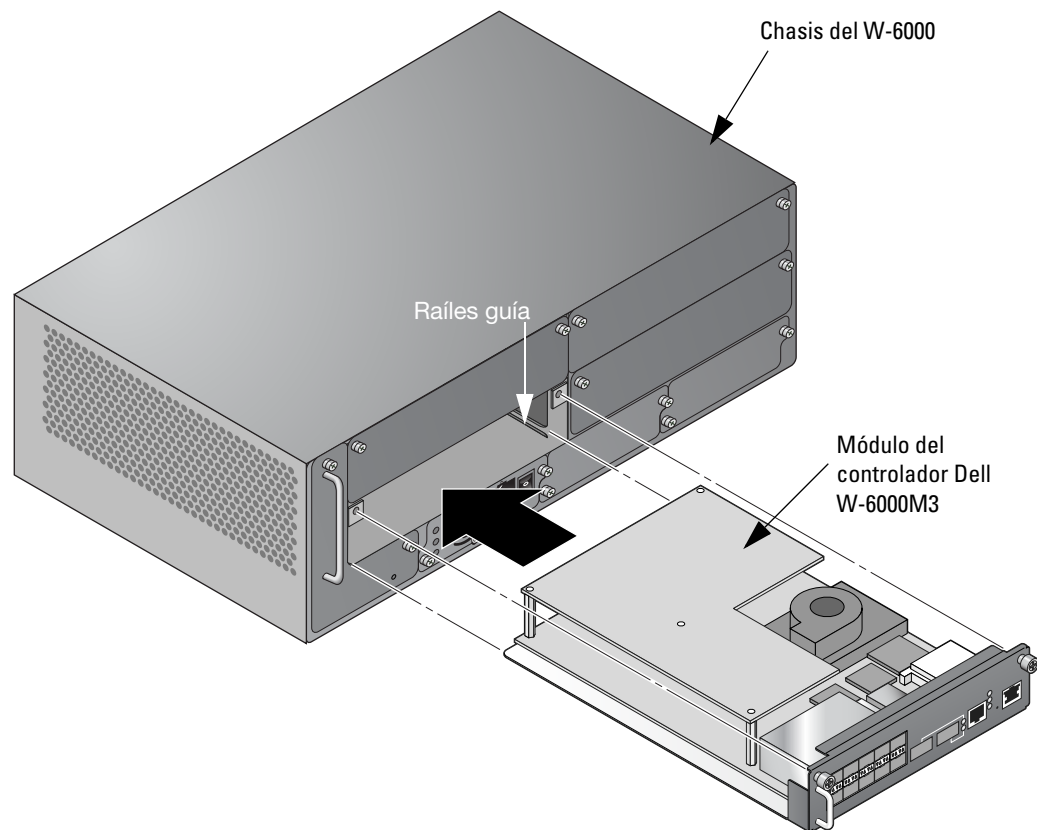
2. Quite el panel frontal o el módulo existente de la ranura correspondiente del chasis del W-6000 (si procede).



NOTA: Dell recomienda usar un panel frontal vacío en las ranuras no utilizadas de un W-6000. El panel frontal vacío es necesario para una correcta ventilación y flujo de aire en el W-6000.

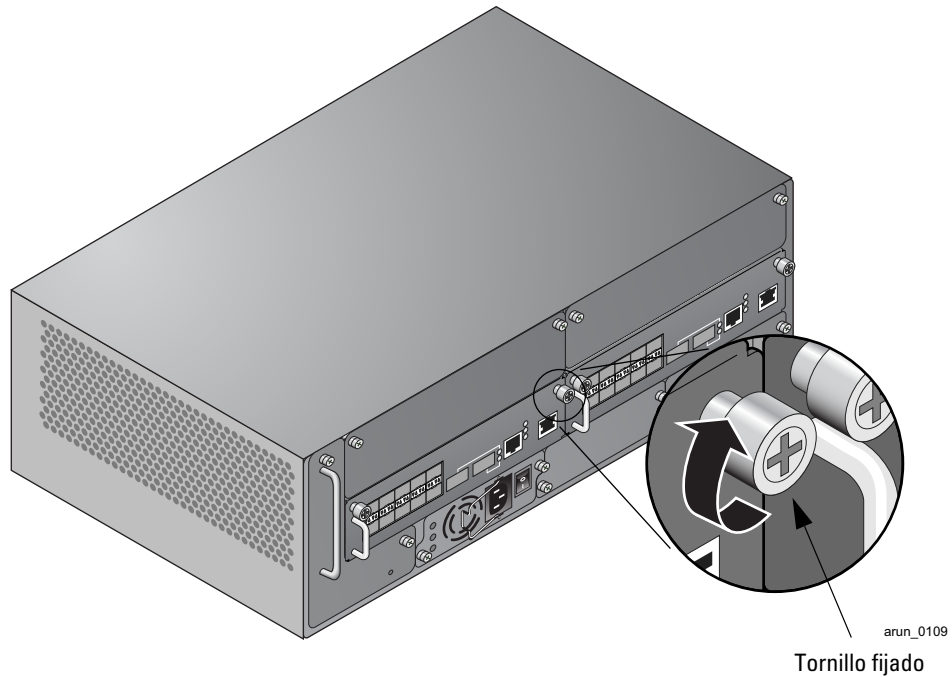
3. Quite el módulo del W-6000M3 del cartón de envío y de la bolsa.
4. Deslice el W-6000M3 en el W-6000 mediante los raíles guía. El W-6000M3 debe apoyar en los raíles guía para que quede bien instalado (consulte la [Figura 7](#)).

Figura 7 Instalación de un W-6000M3



5. Fije el W-6000M3 al W-6000 apretando los dos tornillos con ayuda de un destornillador #2 Phillips (consulte la [Figura 8](#)). Gire los tornillos en sentido horario hasta que los deje apretados a mano. No apriete demasiado los tornillos.

Figura 8 Fijación de un W-6000M3



Configuración inicial y conectividad de la red

Una vez concluida la instalación física, lleve a cabo la configuración inicial en el W-6000M3 para establecer la dirección IP del módulo (denominada controlador en la documentación del ArubaOS), así como la configuración de otra información básica del sistema. Para obtener información detallada e instrucciones, consulte la Guía de inicio rápido del *Dell PowerConnect ArubaOS* de la versión del software instalado en el controlador.

Extracción

1. Utilice las precauciones habituales para evitar descargas al extraer un W-6000M3.



NOTA: como el módulo del controlador Dell W-6000M3 se puede cambiar en caliente, la alimentación del chasis puede estar encendida o apagada.

2. Gire los tornillos en sentido contrario a las agujas del reloj para aflojarlos y sacar el W-6000M3.
3. Deslice y extraiga el W-6000M3 del W-6000.
4. Coloque un panel frontal vacío en las ranuras no utilizadas.



NOTA: el Dell requiere el uso de un panel frontal vacío en las ranuras no utilizadas de un chasis del Dell W-6000. El panel frontal vacío es necesario para una correcta ventilación y flujo de aire en el W-6000.

Gestión de energía

El controlador W-6000 admite hasta tres fuentes de alimentación de 400 W. Si conecta una a dos fuentes de alimentación principales para 400 a 800 W de potencia principal, es posible que se utilicen los 400 W redundantes de fuente de alimentación.

Para una planificación más precisa, añada la potencia máxima requerida por todos los módulos de la configuración del chasis para determinar el número necesario de fuentes de alimentación.

Módulo W-6000M3 y tabla de configuración de fuentes de alimentación

La siguiente tabla contiene las configuraciones del módulo W-6000M3 y las configuraciones y uso de energía resultantes de las fuentes de alimentación.

Tabla 3 Fuente de alimentación y configuraciones del módulo

Módulo	Número de unidades			
Módulo W-6000M3 Controlador (130 W máx. de potencia cada uno)	1	2	3	4
Potencia total (W)	130	260	390	520
Número requerido de fuentes de alimentación	1	1	1	2
Número de fuentes de alimentación redundantes	1 o 2	1 o 2	1 o 2	1

Cumplimiento de la normativa y seguridad



NOTA: para obtener más información sobre la seguridad, el cumplimiento y las normativas, consulte la Guía de instalación del Dell PowerConnect W-6000. Para descargar la documentación técnica más reciente del producto, incluidas guías de usuario, guías de referencia y guías de instalación, vaya a support.dell.com/manuals

Dell proporciona documentación en varios idiomas relativa a las restricciones concretas de cada país, así como información adicional de seguridad y normativas para todos los productos de hardware de Dell. El *Anexo sobre normativas y seguridad* se puede consultar o descargar en el siguiente sitio: dell.com.



PRECAUCIÓN: el uso de controles o ajustes de rendimiento o procedimientos que no se describan en este manual podrían exponerle a riesgo de radiación peligrosa.

Este producto cumple lo descrito en el 21 CFR capítulo 1, subcapítulo J, apartado 1040.10, y el IEC 60825-1: 1993, A1: 1997, A2: 2001, IEC 60825-2: 2000.

Para seguir garantizando el cumplimiento con la norma anterior sobre seguridad de láser, solo se deben instalar en los productos de Aruba módulos de clase 1 de proveedores aprobados.

This device complies with Part 15 of the FCC Rules. Operation is subject to the following two conditions: (1) this device may not cause harmful interference, and (2) this device must accept any interference received, including interference that may cause undesired operation.

**This Class A digital apparatus complies with Canadian ICES-003.
Cet appareil numérique de la classe A est conforme à la norme NMB-003 du Canada.**

Apparatet må tilkoples jordet stikkontakt.

Laite on liitettävä suojamaadoituskoskettimilla varustettuun pistorasiaan.

この装置は、クラス A 情報技術装置です。この装置を家庭環境で使用すると電波妨害を引き起こすことがあります。この場合には使用者が適切な対策を講ずるよう要求されることがあります。 VCCI-A

Eliminación adecuada del equipo Dell

Para consultar la información más reciente sobre cumplimiento medioambiental global y los productos de Dell, visite nuestro sitio web dell.com.

Desecho del equipo electrónico y eléctrico



Los productos de Dell al final de su vida útil están sujetos a la recogida y tratamiento por separado en los Estados Miembros de EE. UU., Noruega y Suiza y, por lo tanto, se encuentran marcados con el símbolo que se muestra a la izquierda (contenedor tachado). El tratamiento aplicado al final de la vida de estos productos en estos países cumplirá las leyes nacionales vigentes de los países que implementen la Directiva 2002/96EC en relación con los residuos de equipo eléctrico y electrónico (WEEE).

RoHS de la Unión Europea



Los productos de Dell también cumplen la directiva de restricción de sustancias peligrosas de la UE 2002/95/EC (RoHS). La RoHS limita el uso de determinados materiales peligrosos en la fabricación de equipos electrónicos y eléctricos. En concreto, los materiales restringidos en la directiva RoHS son el plomo (incluido el plomo soldado que se emplea en el ensamblaje de circuitos impresos), el cadmio, el mercurio el cromo hexavalente y el bromino. Algunos productos de Dell están sujetos a exenciones incluidas en el Anexo 7 de la directiva RoHS (el plomo soldado empleado en el ensamblaje de circuitos impresos). Los productos y el empaquetado se marcarán con la etiqueta “RoHS” a la izquierda indicando el cumplimiento de esta directiva.

Contacto con Dell

Tabla 4 Contactos del sitio web

Soporte del sitio web	
Sitio web principal	dell.com
Sitio web de soporte	support.dell.com
Documentación de Dell	support.dell.com/manuals

Copyright

© 2011 Aruba Networks, Inc. AirWave®, Aruba Networks®, Aruba Mobility Management System®, y otras marcas comerciales son marcas comerciales de Aruba Networks, Inc. Dell™, el logotipo DELL™ y PowerConnect™ son marcas registradas de Dell Inc.

Todos los derechos reservados. Las especificaciones incluidas en este manual pueden cambiar sin previo aviso.

Creado en Estados Unidos. El resto de marcas comerciales que aparecen en este manual pertenecen a sus respectivas empresas.

Código Open Source

Algunos productos de Aruba incluyen software Open Source desarrollador por otros fabricantes, incluido código de software sujeto a las licencias GNU GPL, GNU LGPL o a otras licencias Open Source. El código Open Source utilizado se puede encontrar en este sitio:

http://www.arubanetworks.com/open_source

Aviso legal

El uso de las plataformas de conexión y de software de Aruba Networks, Inc., por toda persona o empresa, para terminar otros dispositivos de cliente VPN/q de otros proveedores constituye la total aceptación de responsabilidad por parte del individuo o empresa por la acción realizada y excluye por completo a Aruba Networks, Inc. del coste de cualquier acción legal emprendida en contra relacionada con la violación del copyright en representación de dichos proveedores.



Módulo controlador Dell PowerConnect W-6000M3

Guia de instalação

Introdução

O Módulo controlador Dell PowerConnect W-6000M3 é um módulo Controlador que permite o hot swap para uso no chassi do Controlador Dell W-6000. O chassi do Controlador W-6000 é capaz de conter até quatro módulos W-6000M3, que podem ser configurados como controlador mestre ou local. Cada módulo controlador W-6000M3 é capaz de suportar até 512 pontos de acesso conectados em campo. Para opções de compatibilidade e configuração, consulte [“Opções de configuração” na página 5](#).

Requisitos mínimos de software

O módulo Controlador W-6000M3 requer a versão ArubaOS 5.0.3 ou posterior.



NOTA: O controlador mestre, seu controlador mestre redundante e todos os seus controladores locais devem executar a mesma versão do ArubaOS. Depois de atualizar sua rede e instalar o módulo Controlador W-6000M3 em sua rede, verifique se a versão do software do módulo Controlador W-6000M3 coincide com os demais componentes da rede. Se o código fornecido no módulo for anterior à versão com a qual atualizou sua rede, você deverá atualizar o código do módulo Controlador W-6000M3 para coincidir com os demais componentes da rede.

Lista de verificação da embalagem

- *Módulo Controlador Dell PowerConnect W-6000M3*
- *Guia de instalação do Módulo controlador Dell PowerConnect W-6000M3*
- *Dell PowerConnect Quick Start Guide*
- *Contrato de Licença de Usuário Final (EULA)*
- *Documento de informações sobre segurança, ambiente e regulamentações (SERI)*
- *Documento de informações sobre garantia e suporte (WSI)*



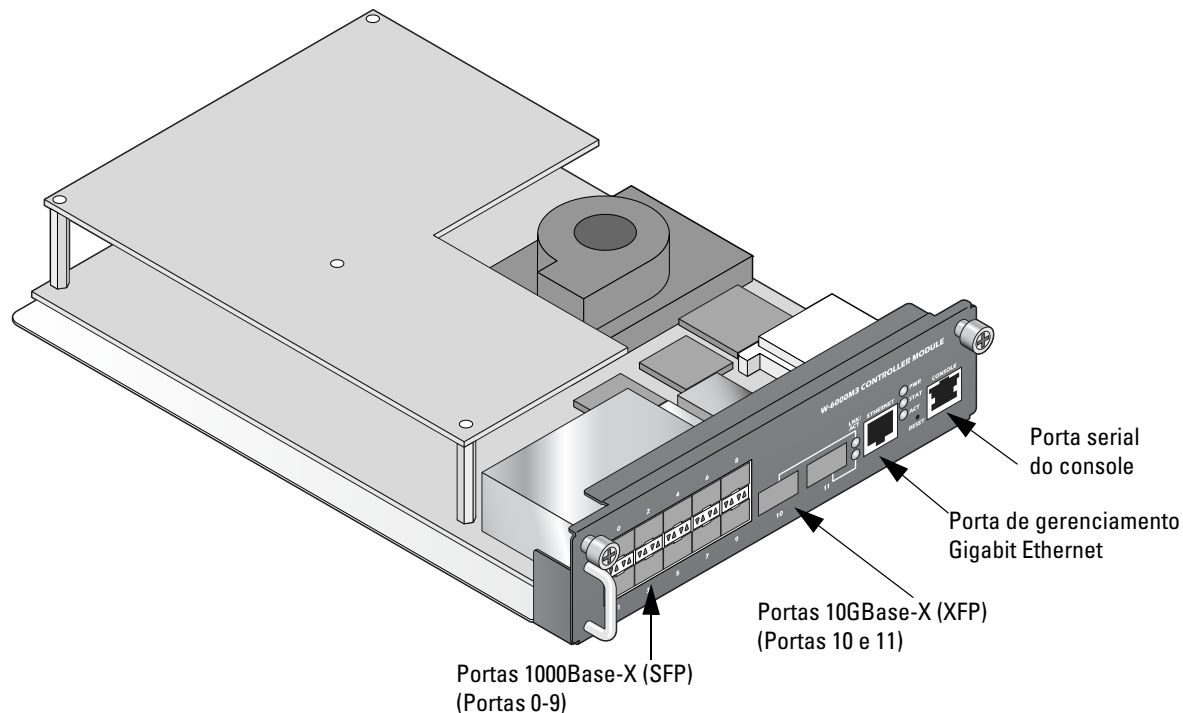
NOTA: Informe o fabricante em caso de peças incorretas, em falta ou danificadas. Se possível, guarde a caixa, incluindo os materiais originais de embalagem. Use esses materiais para re-embalar o produto e devolvê-lo ao fabricante se necessário.



NOTA: Acessórios opcionais, como módulos SFP e XFP, estão disponíveis para uso com o W-6000M3 e são vendidos separadamente. Entre em contato com um representante de vendas da Dell para obter detalhes e assistência.

Visão geral do hardware

Figura 1 Módulo Controlador W-6000M3



Portas

Portas 1000Base-X (SFP)

As portas de 0 a 9 do W-6000M3 são as portas 1000Base-X (SFP) para conectividade por fibra óptica ou cobre e devem ser usadas com SFPs aprovados pela Dell.



NOTA: A Dell testa e suporta dispositivos ópticos Dell nos seus sistemas de controladores. Dispositivos ópticos de terceiros não são testados nem suportados. Portanto, a Dell não garante a funcionalidade adequada de dispositivos ópticos de terceiros. Para obter mais detalhes sobre SFPs aprovados pela Dell, consulte o *Guia de instalação de módulos ópticos Dell PowerConnect W-Series SFP*.

Portas 10GBase-X (XFP)

As portas 10 e 11 do W-6000M3 são portas de fibra óptica 10GBase-X para uso com XFPs Dell. Os XFPs são transceptores ópticos de 10 Gbits, que permite hot swap e converte sinais elétricos seriais em sinais elétricos ou ópticos seriais externos.



NOTA: A Dell testa e suporta dispositivos ópticos Dell nos seus sistemas de controladores. Dispositivos ópticos de terceiros não são testados nem suportados. Portanto, a Dell não garante a funcionalidade adequada de dispositivos ópticos de terceiros. Para obter mais detalhes sobre os XFPs aprovados pela Dell, como especificações técnicas e instruções de instalação, consulte o *Guia de instalação de módulos ópticos Dell PowerConnect W-Series XFP*.

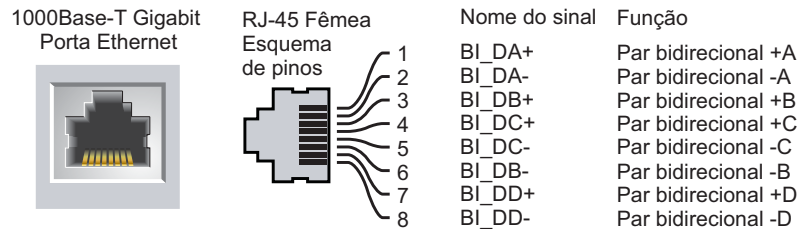
Porta de gerenciamento Gigabit Ethernet

Esta porta é uma porta 10/100/1000Base-T Gigabit Ethernet (RJ-45). Gigabit Ethernet usa os oito fios e cada par é usado de maneira bidirecional, o que significa que os mesmos pares são usados para transmissão e recepção de dados. Esta porta também suporta o Auto MDIX, permitindo o uso cruzado de cabos retos. [Figura 2](#) ilustra o esquema de pinos CAT-5 encontrado em um conector RJ-45. O esquema de pinos CAT-5 emparelha os seguintes pinos em uma porta 10/100/1000Base-T Gigabit Ethernet: 1/2, 3/6, 4/5 e 7/8.



NOTA: O tráfego Ethernet dessa porta é fora da faixa de frequência; essa porta é segmentada das funções de switching e roteamento comuns e não pode ser usada como porta de dados da rede.

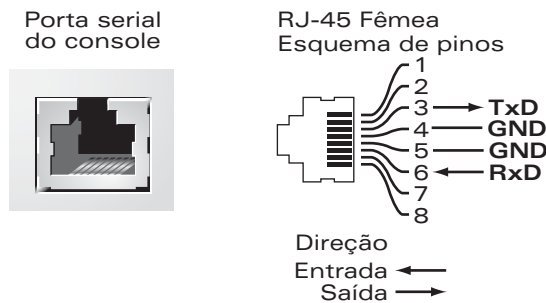
Figura 2 Esquema de pinos da porta Gigabit Ethernet



Porta serial do console

Uma porta serial do console é fornecida para conexão a um terminal, permitindo o gerenciamento direto local. O conector fêmea RJ-45 da porta aceita um cabo serial RS-232 com um conector macho.

Figura 3 Esquema de pinos da porta serial do console



As configurações de comunicação da porta serial do console são indicadas na [Tabela 1](#).

Tabela 1 Requisitos de conexão serial

Taxa de transmissão	Bits de dados	Paridade	Bits de parada	Controle de fluxo
9600	8	Nenhum	1	Nenhum

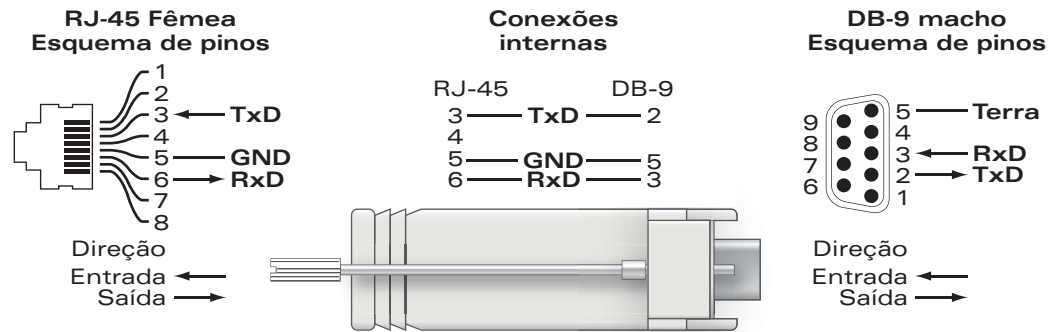


CUIDADO: Não conecte um ponto de acesso (AP) à porta serial do console. A porta serial do console é compatível somente com dispositivos RS-232. Dispositivos não RS-232, como pontos de acesso, não são compatíveis e causarão a falha do controlador.

Adaptador da porta serial do console

Um adaptador modular pode ser usado para converter o conector RJ-45 (fêmea) em um conector DB9 (macho). Consulte os detalhes completos na [Figura 4](#).

Figura 4 Conversão do adaptador modular de RJ-45 (fêmea) em DB-9 (macho)



LEDs indicadores de status

[Tabela 2](#) descreve os LEDs do W-6000M3 (ilustrados na [Figura 5](#)) e sua função.

Figura 5 Painel frontal e LEDs do W-6000M3

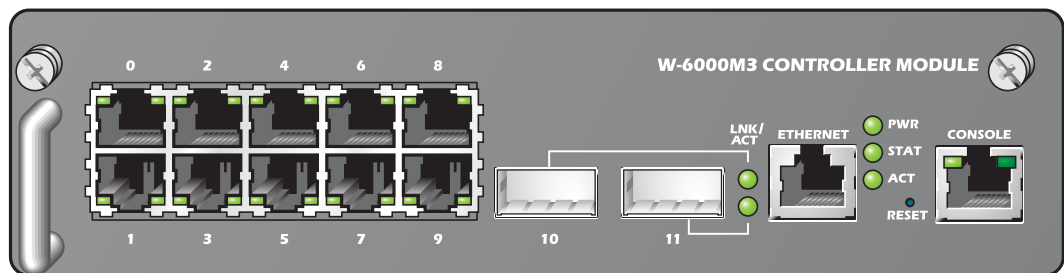


Tabela 2 Comportamento dos LEDs do W-6000M3

LED	Função	Indicador	Status
PWR	Status da alimentação interna	Aceso (verde)	Alimentação ativada
		Apagado	Sem alimentação
STAT	Indicador de status do módulo	Aceso (verde)	O dispositivo está funcionando
		Aceso (âmbar)	O dispositivo está sendo iniciado
		Aceso (vermelho)	Falha no dispositivo
		Apagado	O dispositivo está carregando o software ou sem alimentação
ACT	Indicador de modo do módulo	Aceso (verde)	Dispositivo no modo ativo
		Aceso (amarelo)	Dispositivo no modo de espera
		Apagado	O dispositivo não determinou o estado operacional ou está sem alimentação
LNK/ACT	Indicador do status de conectividade	Aceso (verde sólido)	Conexão estabelecida
		Aceso (verde piscando)	A porta está transmitindo ou recebendo dados
		Apagado	Porta sem conectividade

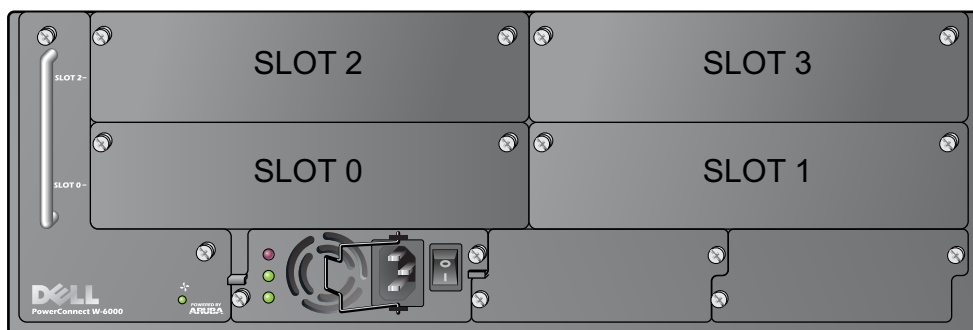
Opções de configuração

Requisitos de configuração

Os seguintes requisitos devem ser obedecidos para executar módulos Controlador W-6000M3 no Dell PowerConnect W-6000:

- O primeiro módulo Controlador W-6000M3 deve ser instalado no slot 0 ou 1 do chassi do W-6000. Os módulos W-6000M3 do slot 2 ou 3 não iniciará se um W-6000M3 não estiver presente no slot 0 ou 1. Consulte [Figura 6](#) para saber a ID e os locais dos slots no chassi do Dell W-6000.
- O slot 0 ou 1 deve ser ocupado antes de o slot 2 ou 3 já que a comunicação com do painel posterior ocorre entre o seguinte:
 - O slot 0 se comunica com o slot 2 e/ou 3
 - O slot 1 se comunica com o slot 2 e/ou 3
- O módulo W-6000M3 foi projetado para instalação no chassi W-6000 utilizando apenas fontes de alimentação de 400 W. Consulte os detalhes completos em [“Gerenciamento de energia” na página 8](#).
- Os requisitos de software mínimos devem ser atendidos antes de instalar o W-6000M3. Consulte os detalhes completos em [“Requisitos mínimos de software” na página 1](#).

Figura 6 Configuração de slots do W-6000



- As opções de configuração também dependem os requisitos de energia de cada módulo. Consulte os detalhes completos em [“Gerenciamento de energia” na página 8](#).

Instalação



CUIDADO: Muitos reparos devem ser realizados somente por técnicos de serviço certificados. Você deve solucionar problemas e realizar reparos simples apenas conforme autorizado na documentação ou instruído pela equipe de serviço e suporte on-line ou por telefone. Danos decorrentes de reparos não autorizados pela Dell não são cobertos pela garantia. Leia e siga as instruções de segurança fornecidas com o produto.

Requisitos de pré-instalação

As ferramentas e os equipamentos a seguir são necessários para a instalação de um módulo W-6000M3:

- Chassi do Controlador W-6000 Dell PowerConnect pré-instalado (vendido separadamente)
- Tira de pulso que previne a ESD (não fornecida)
- Chave de fenda Phillips nº 2 (não fornecida)
- Módulo(s) Controlador W-6000M3 Dell PowerConnect

Instalação física

Para instalar um módulo W-6000M3 em um chassi do W-6000:

1. Use as precauções de ESD padrão quando for instalar um W-6000M3.



NOTA: Como o módulo controlador Dell W-6000M3 permite hot swap, a alimentação para o chassi pode ser ativada ou desativada.

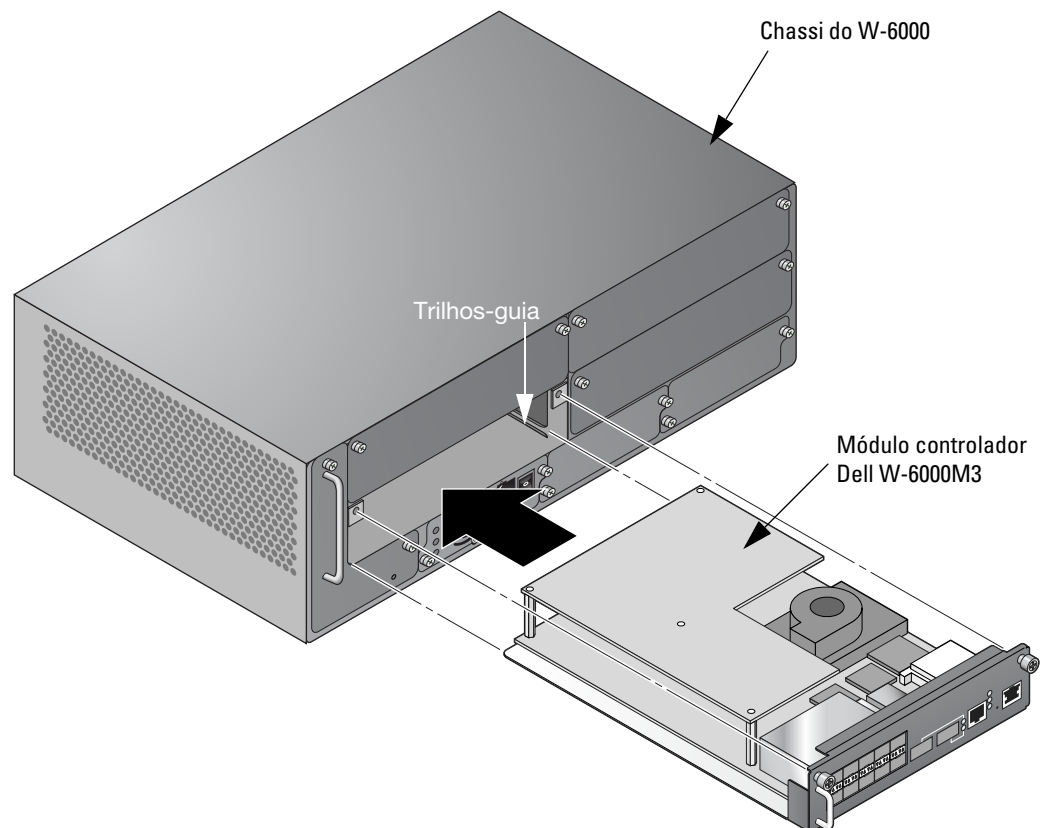
2. Remova o painel frontal cego ou o módulo existente do slot apropriado no chassi do W-6000 (se aplicável).



NOTA: A Dell recomenda o uso de um painel frontal cego em slots não usados em um W-6000. O painel frontal cego é necessário para promover o resfriamento e fluxo de ar adequados no W-6000.

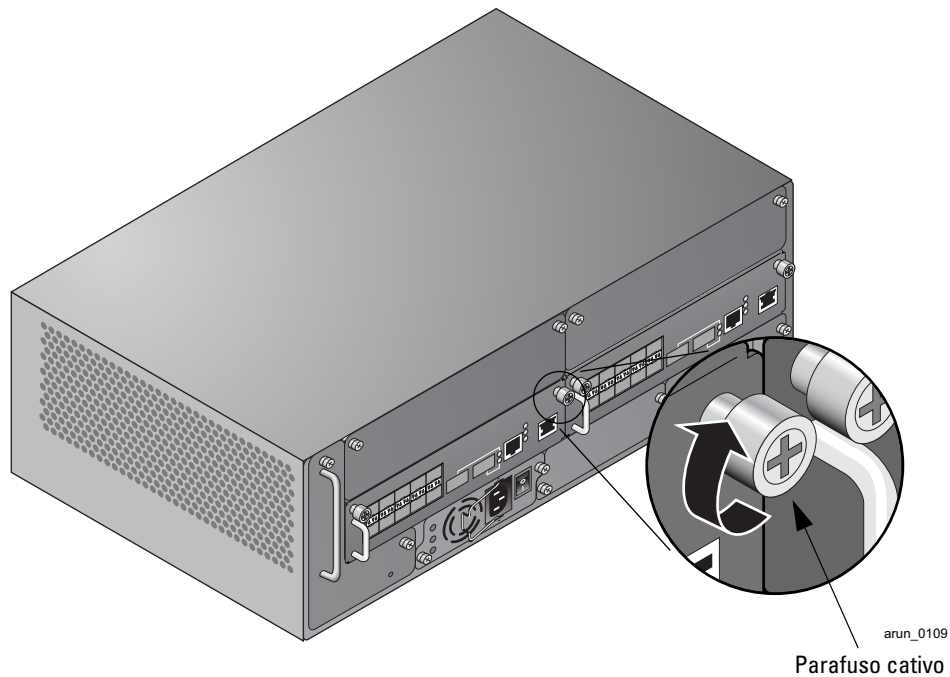
3. Remova o módulo W-6000M3 da embalagem e do saco ESD.
4. Deslize o W-6000M3 para o W-6000 usando os trilhos-guia. O W-6000M3 deve ser encaixado nos trilhos-guia para que a instalação seja adequada (consulte [Figura 7](#)).

Figura 7 Instalação de um W-6000M3



5. Fixe o W-6000M3 ao W-6000 apertando os dois parafusos cativos usando uma chave de fenda Phillips nº 2 (consulte [Figura 8](#)). Gire os parafusos cativos no sentido horário até que os parafusos sejam fixados manualmente. Não aperte demais os parafusos.

Figura 8 Fixação de um W-6000M3



Configuração inicial e conectividade da rede

Quando a instalação física estiver concluída, execute a configuração inicial no W-6000M3 para configurar o endereço IP do módulo (referido como controlador na documentação do ArubaOS) e outras informações básicas do sistema. Para obter instruções e detalhes completos, consulte o *Dell PowerConnectArubaOS Quick Start Guide* referente à versão do software instalado em seu controlador.

Remoção

1. Use as precauções de ESD padrão quando for remover um W-6000M3.



NOTA: Como o módulo controlador Dell W-6000M3 permite hot swap, a alimentação para o chassi pode ser ativada ou desativada.

2. Gire os parafusos cativos no sentido anti-horário para soltá-los e liberar o W-6000M3.
3. Deslize e remova o W-6000M3 do W-6000.
4. Instale um painel frontal cego nos slots não usados.



NOTA: A Dell requer o uso de um painel frontal cego em slots não usados em um chassi do Dell W-6000. O painel frontal cego é necessário para promover o resfriamento e fluxo de ar adequados no W-6000.

Gerenciamento de energia

O Controlador W-6000 suporta até três fontes de alimentação de 400 W. Se estiver usando uma ou duas fontes de alimentação principal para 400 a 800 W de energia principal, o uso de uma fonte de alimentação redundante de 400 W é possível.

Para o planejamento da capacidade máxima, adicione o consumo máximo de energia necessário para todos os módulos na configuração do chassi para determinar o número necessário de fontes de alimentação.

Tabela de configuração da PSU e do módulo W-6000M3

A tabela a seguir exibe as configurações do módulo W-6000M3, bem como as configurações de fonte de alimentação e uso de energia resultantes.

Tabela 3 Configurações da fonte de alimentação e do módulo

Módulo	Número de unidades			
Módulo Controlador W-6000M3 (130 W de consumo de energia máx. em cada)	1	2	3	4
Energia total (W)	130	260	390	520
Número necessário de PSUs	1	1	1	2
Número redundante de PSUs	1 ou 2	1 ou 2	1 ou 2	1

Segurança e conformidade com as normas



NOTA: Para obter mais informações sobre segurança, conformidade e normas, consulte o Guia de instalação do Dell PowerConnect W-6000. Para baixar a documentação técnica mais recente do produto, incluindo guias do usuário, guias de referência e de instalação, acesse support.dell.com/manuals

A Dell fornece um documento multilíngue que contém restrições e informações adicionais sobre segurança e normas específicas do país para todos os produtos de hardware da Dell. O documento *Aruba Safety and Regulatory Addendum* pode ser visualizado ou baixado do seguinte local: dell.com.



CUIDADO: O uso de controles ou ajustes de desempenho ou procedimentos diferentes daqueles especificados neste manual pode resultar na exposição à radiação perigosa.

Este produto está em conformidade com a norma 21 CFR, capítulo 1, subcapítulo J, parte 1040.10, e com a norma IEC 60825-1: 1993, A1: 1997, A2: 2001, IEC 60825-2: 2000.

Para garantir a continuidade da conformidade com as normas de segurança para produtos com laser, somente módulos da classe 1 aprovados de nossos fornecedores autorizados devem ser instalados nos produtos da Aruba.

This device complies with Part 15 of the FCC Rules. Operation is subject to the following two conditions: (1) this device may not cause harmful interference, and (2) this device must accept any interference received, including interference that may cause undesired operation.

**This Class A digital apparatus complies with Canadian ICES-003.
Cet appareil numérique de la classe A est conforme à la norme NMB-003 du Canada.**

Apparatet må tilkoples jordet stikkontakt.

Laite on liitettävä suojamaadoituskoskettimilla varustettuun pistorasiaan.

この装置は、クラス A 情報技術装置です。この装置を家庭環境で使用すると電波妨害を引き起こすことがあります。この場合には使用者が適切な対策を講ずるよう要求されることがあります。

VCCI-A

Descarte adequado dos equipamentos da Dell

Para obter as informações mais atualizadas sobre a conformidade ambiental global e os produtos da Dell, visite nosso site: dell.com.

Descarte de equipamentos elétricos e eletrônicos



Os produtos da Dell, ao final de sua vida útil, estão sujeitos a processos de coleta e tratamento separados da EU Member States, na Noruega e na Suíça, e portanto são marcados com este símbolo indicado à esquerda (X sobre a lixeira). O tratamento aplicado ao final da vida útil desses produtos nesses países deve estar em conformidade com as leis nacionais aplicáveis dos países que implementarão a Diretiva 2002/96EC sobre o descarte de equipamentos elétricos e eletrônicos (WEEE).

RoHS da União Europeia



Os produtos da Dell também estão em conformidade com a Diretiva 2002/95/EC da União Europeia sobre substâncias prejudiciais (RoHS). A diretiva RoHS da União Europeia restringe o uso de materiais abrasivos específicos na fabricação de equipamentos elétricos e eletrônicos. Especificamente, os materiais restritos sob a Diretiva RoHS são chumbo (incluindo soldas utilizadas em placas de circuitos impressos), cádmio, mercúrio, cromo hexavalente e bromo. Alguns produtos da Dell estão sujeitos às isenções listadas no anexo 7 da Diretiva RoHS (chumbo em soldas utilizadas em placas de circuitos impressos). Os produtos e embalagens serão marcados com o rótulo “RoHS” ilustrado à esquerda para indicar a conformidade com essa diretiva.

Como entrar em contato com a Dell

Tabela 4 Contatos no site

Suporte no site	
Site principal	dell.com
Site do suporte	support.dell.com
Documentação da Dell	support.dell.com/manuals

Copyright

© 2011 Aruba Networks, Inc. AirWave®, Aruba Networks®, Aruba Mobility Management System® e outras marcas registradas são marcas comerciais da Aruba Networks, Inc. Dell™, o logotipo DELL™ e PowerConnect™ são marcas comerciais da Dell Inc.

Todos os direitos reservados. As especificações deste manual estão sujeitas a alterações sem aviso prévio.

Fabricado nos EUA. As outras marcas comerciais que aparecem neste manual pertencem às suas respectivas empresas.

Código de fonte aberta

Certos produtos da Aruba contém código de software de fonte aberta desenvolvido por terceiros, incluindo código de software sujeito à licença pública geral (GPL) GNU, licença pública menos generalizada (LGPL) GNU ou outras licenças de fonte aberta. O código de fonte aberta pode ser encontrado neste site:

http://www.arubanetworks.com/open_source

Aviso legal

O uso de plataformas de switching e softwares da Aruba Networks, Inc., por pessoas físicas ou jurídicas, na terminação de outros dispositivos clientes VPN de outros fornecedores constitui a plena aceitação da responsabilidade dessa pessoa física ou jurídica por tal ação e isenta completamente a Aruba Networks, Inc. de todo e qualquer processo legal que possa ser movido contra a mesma com relação à violação dos direitos de copyright em nome desses fornecedores.



Dell PowerConnect W-6000M3 Denetleyici Modülü Kurulum Kılavuzu

Giriş

Dell PowerConnect W-6000M3 Denetleyici Modülü, Dell W-6000 Denetleyici kasasında kullanıma yönelik, çalışırken değiştirilebilir bir Denetleyici Modüldür. W-6000 denetleyici kasası, en fazla W-6000M3 modülünü içine alabilir ve bu modüllerin her biri ana veya yeral denetleyici olarak yapılandırılabilir. Her bir W-6000M3 Denetleyici Modülü, en fazla 512 yerleşke bağlantılı erişim noktasını (AP) destekleyebilir. Uyumluluk ve yapılandırma seçenekleri için bkz. “Yapılandırma Seçenekleri”, sayfa 5.

Asgari Yazılım Gereklilikleri

W-6000M3 Denetleyici Modülü ArubaOS 5.0.3 veya üzeri bir sürüm gerektirir.



NOT: Ana denetleyici, onun yedeği denetleyici ve tüm yerel denetleyiciler aynı ArubaOS sürümü üzerinde çalıştırılmalıdır. Ağınızı yeni sürüme geçirdikten ve W-6000M3 Denetleyici ağınıza kurulduktan sonra, W-6000M3 Denetleyiciniz üzerindeki yazılım sürümünün ağın geri kalanı ile uyumunu doğrulayın. Modül üzerinde gelen kod, ağınızı geçirdiğiniz sürümden önceki bir sürüm ise W-6000M3 Denetleyici Modülü üzerindeki kodu ağın geri kalanı ile uyulaşacak şekilde güncellenmeniz gerekir.

Ambalaj Kontrol Listesi

- Dell PowerConnect W-6000M3 Denetleyici Modülü
- Dell PowerConnect W-6000M3 Denetleyici Modülü Kurulum Kılavuzu
- Dell PowerConnect Hızlı Başlangıç Kılavuzu
- Son Kullanıcı Lisans Sözleşmesi (EULA)
- Güvenlik, Çevre ve Yönetmelik Bilgileri (SERI) belgesi
- Garanti ve Destek Bilgileri (WSI) belgesi



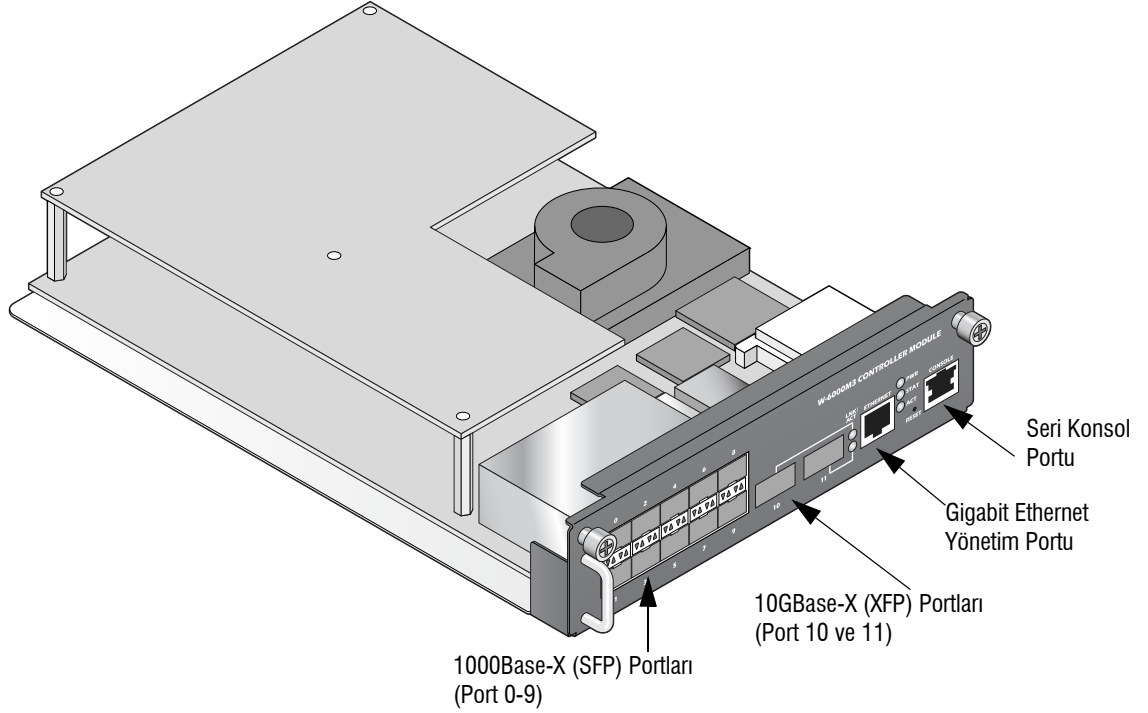
NOT: Yanlış, eksik veya hasarlı parçalarla ilgili olarak tedarikçinizi bilgilendirin. Mümkünse, orijinal ambalaj malzemelerini içeren karton kutuyu saklayın. İhtiyaç halinde üniteyi yeniden ambalajlayıp tedarikçinize geri göndermek için bu malzemeleri kullanın.



NOT: SFP ve XFP modüller gibi isteğe bağlı aksesuarlar W-6000M3 ile kullanılabilen ve ayrıca satılmaktadır. Ayrıntılar ve yardım almak için Dell temsilcinizle görüşün.

Donanıma Genel Bakış

Şekil 1 W-6000M3 Denetleyici Modülü



Portlar

1000Base-X (SFP) Portları

W-6000M3 üzerinde 0'dan 9'a kadar olan portlar, fiber veya bakır bağlantısına yönelik 1000Base-X (SFP) portlarıdır ve Dell tarafından onaylanan SFP'lerle kullanımı amaçlanmaktadır.



NOT: Dell, kendi denetleyici sistemlerinde Dell optiklerini test eder ve destekler. Üçüncü taraf optikleri test edilmez ve desteklenmez. Bu nedenle, Dell, üçüncü taraf optiklerin düzgün çalışacağını garanti etmez. Dell tarafından onaylanan SFP'lerle ilgili diğer ayrıntılar için, *Dell PowerConnect W-Serisi SFP Optik Modülleri Kurulum Kılavuzu*'na bakın.

10GBase-X (XFP) Portları

W-6000M3 üzerindeki Port 10 ve 11, Dell XFP'lerle kullanıma yönelik 10GBase-X fiber optik portlarıdır. XFP'ler, seri elektrik sinyallerini harici seri optik veya elektrik sinyallerine dönüştürebilen, 10 Gbit'lik çalışırken değiştirilebilir optik alıcı vericilerdir.



NOT: Dell, kendi denetleyici sistemlerinde Dell optiklerini test eder ve destekler. Üçüncü taraf optikleri test edilmez ve desteklenmez. Bu nedenle, Dell, üçüncü taraf optiklerin düzgün çalışacağını garanti etmez. Dell tarafından onaylanan XFP'lerle ilgili teknik spesifikasyonlar ve kurulum talimatları gibi diğer ayrıntılar için, *Dell PowerConnect W-Serisi XFP Optik Modülleri Kurulum Kılavuzu*'na bakın.

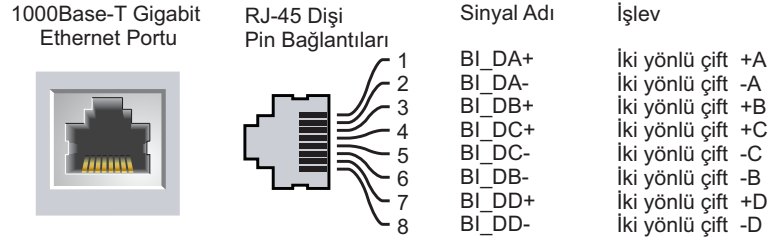
Gigabit Ethernet Yönetim Portu

Bu port, bir 10/100/1000Base-T Gigabit Ethernet (RJ-45) portudur. Gigabit Ethernet, sekiz kablunun tamamını kullanır. Her bir çift iki yönlü olarak kullanılır, yani aynı çiftler hem veri iletimi hem de alımı için kullanılır. Bu port, Auto MDIX'i de desteklemekte ve düz giden kablolarda geçit kullanımına olanak tanımaktadır. Şekil 2'de, RJ-45 konnektör üzerinde bulunan CAT-5 pin bağlantıları gösterilmektedir. CAT-5 pin çiftleri bir 10/100/1000Base-T Gigabit Ethernet portu üzerinde şu pinlerle eşleşir: 1/2, 3/6, 4/5 ve and 7/8.



NOT: Bu port üzerindeki ethernet trafiği bant dışıdır; bu port düzenli anahtarlama ve yönlendirme işlevleri için segmentlere ayrılmaktadır ve ağ veri portu olarak kullanılamaz.

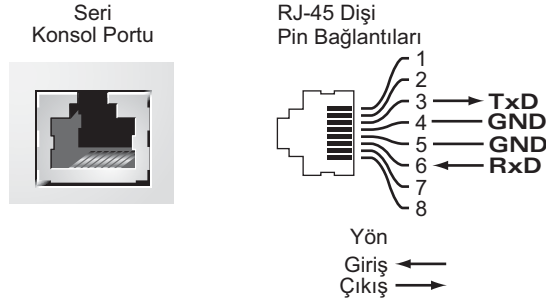
Şekil 2 Gigabit Ethernet Portu Pin Bağlantıları



Seri Konsol Portu

Sağlanan seri konsol portu kullanılarak doğrudan yerel yönetim için bir terminale bağlantı kurulabilir. Portun RJ-45 dişi konnektörü, erkek konnektöre sahip bir RS-232 seri kablunun girişine uygundur.

Şekil 3 Seri Konsol Portu Pin Bağlantıları



Seri konsol portu için iletişim ayarları Tablo 1'de gösterilmiştir.

Tablo 1 Seri Bağlantı Gereklilikleri

Baud Hızı	Veri Bitleri	Eşlik	Bitiş Bitleri	Akış Denetimi
9600	8	Yok	1	Yok

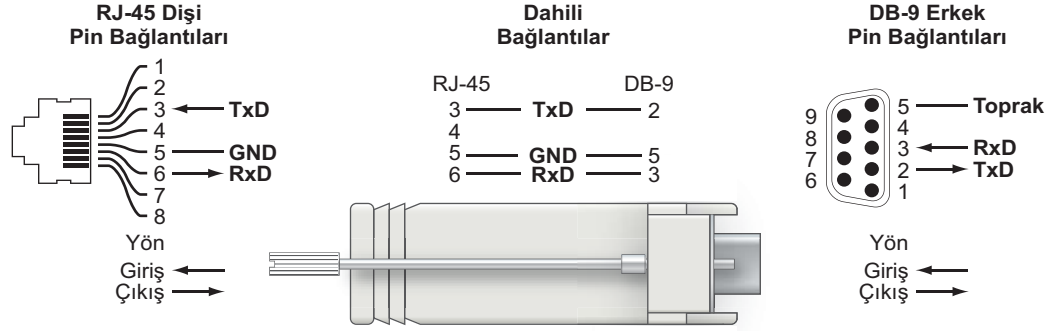


DİKKAT: Seri konsol portuna Erişim Noktası (AP) bağlamayın. Seri konsol portu, yalnızca RS-232 cihazlarla uyumludur. AP'ler gibi RS-232 harici cihazlar desteklenmemektedir ve denetleyicinin arızalanmasına neden olacaktır.

Seri Konsol Portu Bağdaştırıcısı

RJ-45 (dişi) konektörü DB9 (erkek) konektöre dönüştürmek için bir modüler bağdaştırıcı kullanılabilir. Ayrıntıların tamamı için Şekil 4'e bakın

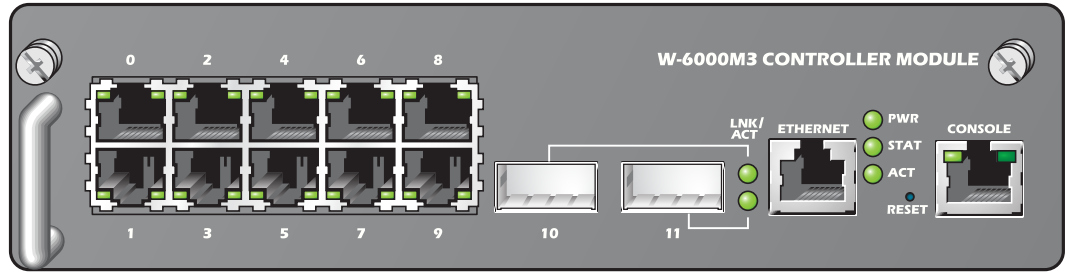
Şekil 4 RJ-45'i (dişi) Modüler Bağdaştırıcı ile DB9'a (erkek) Dönüştürme



LED Durum Göstergeleri

Tablo 2'de W-6000M3 LED'leri (Şekil 5'te gösterilir) ve işlevleri açıklanmaktadır.

Şekil 5 W-6000M3 Ön Paneli ve LED'leri



Tablo 2 W-6000M3 LED Davranışı

LED	İşlev	Gösterge	Durum
PWR	Giriş Gücü Durumu	Açık (Yeşil)	Güç açık
		Kapalı	Güç yok
STAT	Modül Durum Göstergesi	Açık (Yeşil)	Cihaz çalışır durumda
		Açık (Kehribar Rengi)	Cihaz açılıyor
		Açık (Kırmızı)	Cihaz arızalı
		Kapalı	Cihaz yazılım yüklüyor veya güç yok
ACT	Modül Mod Göstergesi	Açık (Yeşil)	Cihaz etkin modda
		Açık (Sarı)	Cihaz bekleme modunda
		Kapalı	Cihazın çalışma durumu belli değil veya güç yok
LNK/ACT	Bağlantı Durum Göstergesi	Açık (Doygun Yeşil)	Bağlantı kuruldu
		Açık (Yanıp Sönen Yeşil)	Port veri gönderiyor veya alıyor
		Kapalı	Port üzerinde bağlantı yok

Yapılandırma Seçenekleri

Yapılandırma Gereklilikleri

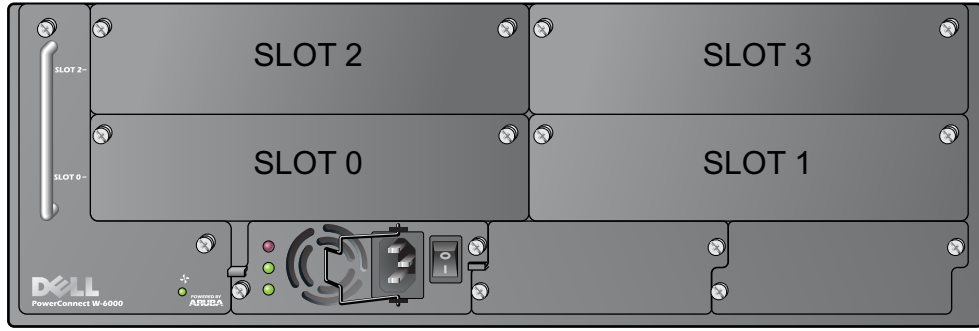
Dell PowerConnect W-6000 içinde W-6000M3 Denetleyici Modülleri çalıştırılırken aşağıdaki gereklilikler karşılanmalıdır:

- İlk W-6000M3 Denetleyici Modülü, W-6000 kasasında Slot 0 ya da Slot 1'e takılmalıdır. Slot 0 veya Slot 1'de bir W-6000M3 bulunmuyorsa, Slot 2 veya Slot 3'teki W-6000M3 modülleri açılmayacaktır. Dell W-6000 kasası içindeki Slot Numara ve konumları için bkz. [Şekil 6](#).

Aşağıdakiler arasında arka pano iletişimi gerçekleştiği için Slot 0 veya Slot 1, Slot 2 veya Slot 3'ten önce doldurulmalıdır:

- Slot 0, Slot 2 ve/veya Slot 3 ile iletişimde bulunur
- Slot 1, Slot 2 ve/veya Slot 3 ile iletişimde bulunur
- W-6000M3 modülü, yalnızca 400 W'lık güç kaynaklarının kullanıldığı W-6000 kasasına takılmak üzere tasarlanmıştır. Ayrıntıların tamamı için bkz. "[Güç Yönetimi](#)", sayfa 8.
- W-6000M3 takılmadan önce asgari yazılım gereklilikleri karşılanmalıdır. Ayrıntıların tamamı için bkz. "[Asgari Yazılım Gereklilikleri](#)", sayfa 1.

Şekil 6 W-6000 Slot Yapılandırması



- Yapılandırma seçenekleri, her bir modül için güç gerekliliklerine de bağlıdır. Ayrıntıların tamamı için bkz. "[Güç Yönetimi](#)", sayfa 8.

Kurulum



DİKKAT: Birçok tamir işlemi yalnızca sertifikalı bir servis teknisyeni tarafından yapılabilir. Yalnızca ürün dokümanlarında izin verilen veya İnternet ya da telefon servisi ve destek ekibinin yol gösterdiği sorun giderme ve basit tamir işlemlerini kendiniz yapmalısınız. Dell tarafından izin verilmemiş servis işlemleri nedeniyle gerçekleşen hasarlar garantinizin kapsamı dışındadır. Ürünle gelen güvenlik talimatlarını okuyun ve bunlara uyun.

Kurulum Öncesi Gereklilikler

Bir W-6000M3 modülünün kurulumu için şu araç ve ekipmanlara ihtiyaç vardır:

- Önceden kurulumu yapılmış Dell PowerConnect W-6000 Denetleyici Kasası (ayrıca satılır)
- Elektrostatik deşarj (ESD) önleyici bilek kayışı (sağlanmaz)
- #2 Phillips tornavida (sağlanmaz)
- Dell PowerConnect W-6000M3 Denetleyici Modülleri

Fiziki Kurulum

Bir W-6000M3 modülünü W-6000 kasasına kurmak için:

1. Bir W-6000M3'yi kurarken standart ESD önlemlerinden yararlanın.



NOT: Dell W-6000M3 Denetleyici Modülü çalışırken değiştirilebilir, kasaya gelen güç ON (AÇIK) veya OFF (KAPALI) olabilir.

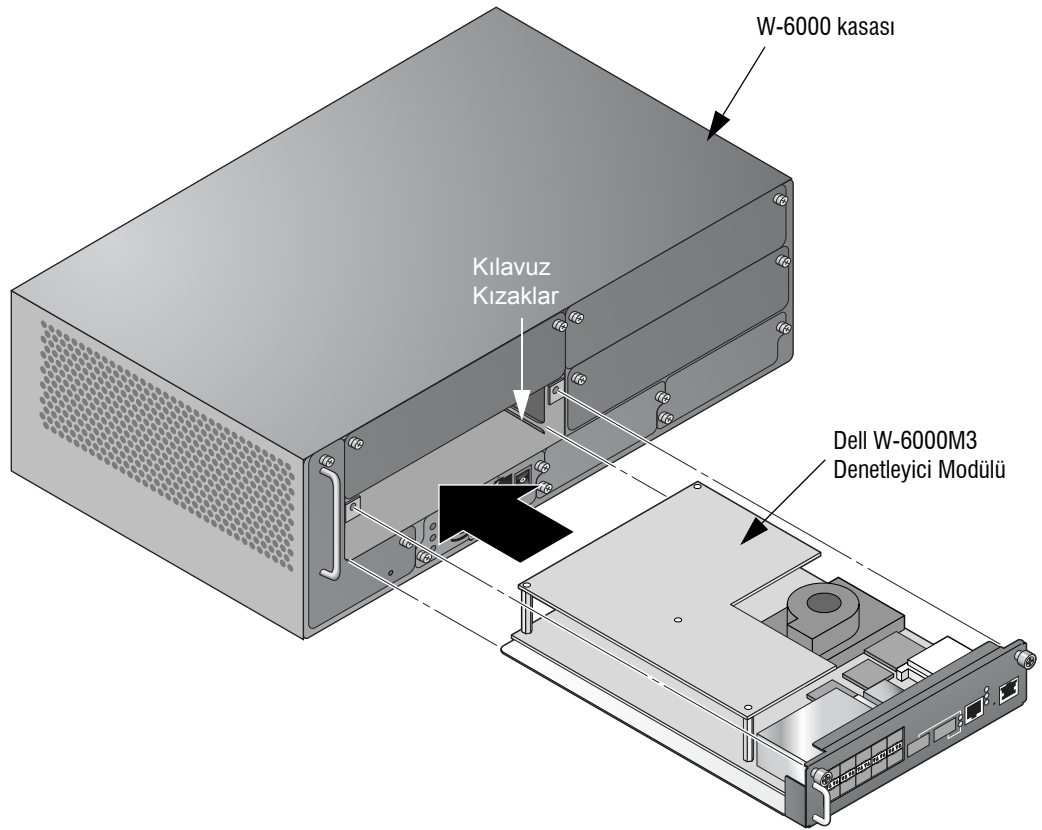
2. Boş ön paneli veya mevcut modülü uygun W-6000 kasasındaki uygun slottan (geçerliyse) çıkarın.



NOT: Dell, bir W-6000'deki kullanılmayan slotlar için boş ön panel kullanılmasını tavsiye eder. Boş ön panel W-6000 içinde uygun soğutma ve hava akışı için gereklidir.

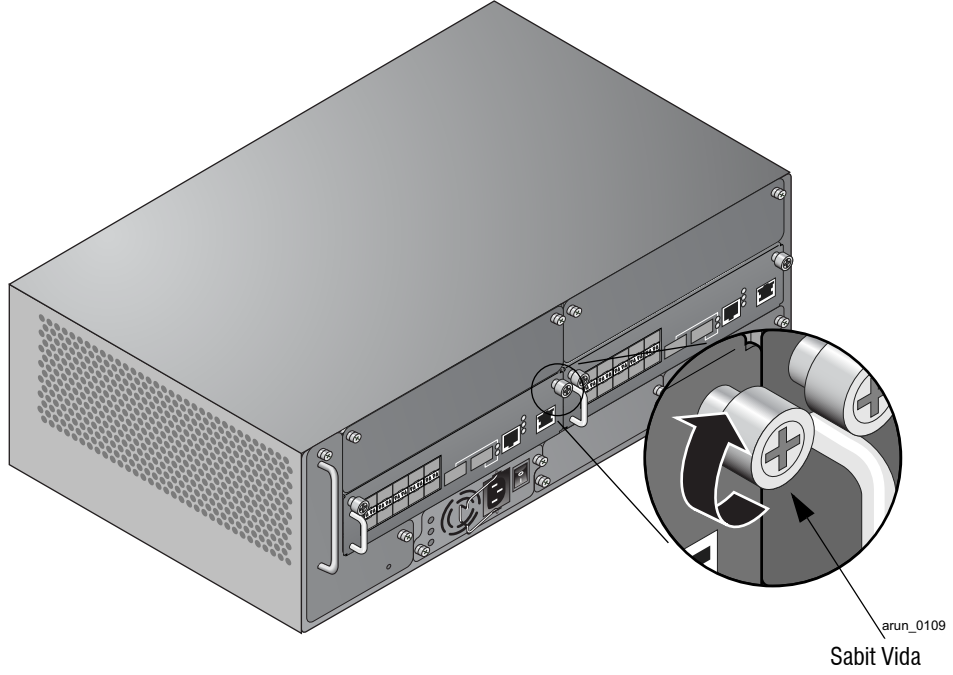
3. W-6000M3 modülünü nakliye kutusundan ve ESD poşetinden çıkarın.
4. Kılavuz kızaklarını kullanarak W-6000M3'ü W-6000'in içine kaydırın. Doğru kurulum için W-6000M3 kılavuz kızaklarına oturtulmalıdır (bkz. Şekil 7).

Şekil 7 W-6000M3'ün Kurulumu



- İki sabit vidayı bir #2 Phillips tornavida yardımıyla sıkarak W-6000M3'ü W-6000'e sabitleyin (bkz. Şekil 8). Sabit vidaları saat yönünde çevirerek elle olabildiği kadar sıkın. Vidaları aşırı sıkmayın.

Şekil 8 Bir W-6000M3'ün Sabitlenmesi



Başlangıç Ayarları ve Ağ Bağlanırlığı

Fiziksel kurulum tamamlandıktan sonra, modülün (ArubaOS belgelerinde denetleyici olarak anılır) IP adresini ve diğer temel sistem bilgilerini yapılandırmak için W-6000M3 üzerinde başlangıç ayarlarını yapın. Eksiksiz ayrıntılar ve talimatlar için, denetleyiciniz üzerindeki yazılım sürümüne ait *Dell PowerConnect ArubaOS Hızlı Başlangıç Kılavuzu*'na bakın.

Çıkarma

- Bir W-6000M3'ü çıkarırken standart ESD önlemlerinden yararlanın.



NOT: Dell W-6000M3 Denetleyici Modülü çalışırken değiştirilebilir, kasaya gelen güç ON (AÇIK) veya OFF (KAPALI) olabilir.

- Vidaları gevşetip W-6000M3'ü serbest bırakmak için sabit vidaları saat yönünün tersine çevirin.
- W-6000M3'ü kaydırarak W-6000'den çıkarın.
- Kullanılmayan slotlara boş ön panel takın.



NOT: Dell, bir Dell W-6000 kasasındaki kullanılmayan slotlar için boş ön panel kullanılmasını gerekli görür. Boş ön panel W-6000 içinde uygun soğutma ve hava akışı için gereklidir.

Güç Yönetimi

W-6000 denetleyici, en fazla üç 400 W güç kaynağını desteklemektedir. 400 ila 800 W'lik primer güç için bir veya iki primer güç kaynağı kullanılıyorsa, 400 W'lik artık bir güç kaynağı da kullanılabilir.

Maksimum güç planlamasına yönelik olarak, gerekli güç kaynağı sayısını belirlemek amacıyla kasa yapılandırmanızdaki tüm modüller için gerekli maksimum güç çekişini toplayın.

W-6000M3 Modülü ve PSU Yapılandırma Tablosu

Aşağıdaki tabloda, W-6000M3 modülü yapılandırmaları ve ortaya çıkan güç kaynağı yapılandırmaları ile güç kullanımı gösterilmektedir.

Tablo 3 Güç Kaynağı ve Modül Yapılandırmaları

Modül	Ünite Sayısı			
	1	2	3	4
W-6000M3 Denetleyici Modülü (her birinde 130 W maks. güç çekişi)				
Toplam Güç (W)	130	260	390	520
Gerekli PSU sayısı	1	1	1	2
Artık PSU sayısı	1/2	1/2	1/2	1

Güvenlik ve Yönetmelikler Yönünden Uygunluk



NOT: Ek güvenlik, uygunluk ve yönetmelik bilgileri için Dell PowerConnect W-6000 Kurulum Kılavuzu'na bakın. Kullanım Kılavuzları, Başvuru Kılavuzları ve Kurulum Kılavuzları gibi en son teknik ürün belgelerini indirmek için support.dell.com/manuals adresini ziyaret edin

Dell, tüm Dell donanım ürünleri için, birden fazla dilde ülkeye özgü kısıtlamaları ve ek güvenlik bilgileri ile yönetmelik bilgilerini içeren bir belge sunmaktadır. *Aruba Güvenlik ve Yönetmelik Eki*, şu adresten görüntülenebilir veya indirilebilir: dell.com.



DİKKAT: Bu el kitabında belirtilenler dışındaki kontroller veya performans ayarları ya da prosedürlerin kullanılması, tehlikeli düzeyde radyasyona maruz kalınmasıyla sonuçlanabilir.

Bu ürün, 21 CFR Bölüm 1, Alt bölüm J, Kısım 1040.10'a ve IEC 60825-1: 1993, A1: 1997, A2: 2001, IEC 60825-2: 2000'e uygundur.

Yukarıdaki lazer güvenliği standartlarına devamlı uygunluk için, Aruba ürünlerine yalnızca onaylı satıcılarımızdan alınacak onaylı Sınıf 1 modüller takılmalıdır.

This device complies with Part 15 of the FCC Rules. Operation is subject to the following two conditions: (1) this device may not cause harmful interference, and (2) this device must accept any interference received, including interference that may cause undesired operation.

**This Class A digital apparatus complies with Canadian ICES-003.
Cet appareil numérique de la classe A est conforme à la norme NMB-003 du Canada.**

Apparatet må tilkoples jordet stikkontakt.

Laite on liitettävä suojamaadoituskoskettimilla varustettuun pistorasiaan.

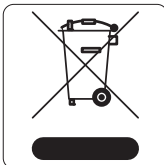
この装置は、クラス A 情報技術装置です。この装置を家庭環境で使用すると電波妨害を引き起こすことがあります。この場合には使用者が適切な対策を講ずるよう要求されることがあります。

VCCI-A

Dell Ekipmanının Doğru İmhası

Global Çevresel Uygunluk ve Dell ürünleri hakkında en güncel bilgileri edinmek için lütfen dell.com web sitemizi ziyaret edin.

Elektrikli ve Elektronik Ekipman Atıkları



Ömrünün sonuna gelen Dell ürünleri, AB Üyesi Ülkeler, Norveç ve İsviçre'de ayrıca toplanmak ve işlemden geçirilmek zorundadır. Bu nedenle, bu ürünler, solda gösterilen sembolle (üzerinde çarpı bulunan tekerlekli çöp kutusu) ile işaretlenir. Bu ülkelerde bu ürünlerin ömürlerinin sonunda uygulanacak işlemler, Elektrikli ve Elektronik Ekipman Atıkları (WEEE) ile ilgili 2002/96EC sayılı Direktifi uygulayan ülkelerin geçerli ulusal mevzuatına uygun olacaktır.

Avrupa Birliđi RoHS (Tehlikeli Maddelerin Kısıtlanması)



Dell ürünleri, 2002/95/EC sayılı AB Tehlikeli Maddelerin Kısıtlanması (RoHS) Direktifi'ne de uygundur. AB RoHS, elektrikli ve elektronik ekipman imalatında belirli tehlikeli malzemelerin kullanımına kısıtlamalar getirmektedir. Özellikle, RoHS Direktifi uyarınca kısıtlamaya tabi olan malzemeler Kurşun (baskılı devre ünitelerinde kullanılan Lehim dahil), Kadmiyum, Cıva, Hekzavalan Krom ve Brom'dur. Bazı Dell ürünleri, RoHS Direktifi Ek 7 kapsamında listelenen istisnalara (baskılı devre ünitelerinde kullanılan lehim içerisindeki Kurşun) tabidir. Söz konusu Direktife uygunluđun gösterilmesi için, ürün ve ambalajların sol tarafları "RoHS" etiketi ile işaretlenecektir.

Dell ile İletişim

Tablo 4 Web Sitesi Bağlantıları

Web Sitesi Desteđi	
Ana Web Sitesi	dell.com
Destek Web Sitesi	support.dell.com
Dell Belgeleri	support.dell.com/manuals

Telif Hakkı

© 2011 Aruba Networks, Inc. AirWave®, Aruba Networks®, Aruba Mobility Management System®, ve diđer tescilli markalar Aruba Networks, Inc.'nin ticari markalarıdır. Dell™, DELL™ logosu ve PowerConnect™ Dell Inc.'nin ticari markalarıdır.

Her hakkı saklıdır. Bu el kitabındaki spesifikasyonlar haber verilmeksizin deđiştirilebilir.

Menşei ABD'dir. Bu el kitabında geçen diđer tüm ticari markalar ilgili şirketlerin kendi mülkiyetindedir.

Açık Kaynak Kodu

Belli başlı Aruba ürünleri, GNU Genel Kamu Lisansı (GPL), GNU Kısıtlı Genel Kamu Lisansı (LGPL) veya diđer Açık Kaynak Lisanslarına tabi yazılım kodları dahil olmak üzere, üçüncü taraflarca geliştirilmiş Açık Kaynak yazılım kodları içerir. Açık Kaynak koduna şu siteden ulaşılabilir:

http://www.arubanetworks.com/open_source

Yasal Uyarı

Aruba Networks, Inc. anahtarlama platformları ve yazılımlarının herhangi bir birey veya şirket tarafından başka satıcıların VPN istemci cihazlarını sonlandırmak amacıyla kullanılması eyleminden doğacak sorumluluk tamamıyla ilgili birey veya şirketin kendisine aittir ve bu eylemde bulunan birey veya şirket, ilgili satıcılar adına telif hakkı ihlalinden dolayı Aruba Networks, Inc. aleyhine açılacak her türlü hukuk davası bakımından tam tazmin yükümlülüđü altında olacaktır.



Dell PowerConnect W-6000M3 コントローラモジュール 設置ガイド

はじめに

Dell PowerConnect W-6000M3 コントローラモジュールは、Dell W-6000 コントローラシャーシ内で使用する、ホットスワップ対応のコントローラモジュールです。W-6000 コントローラシャーシには、W-6000M3 モジュールを4つまで組み込むことができ、各モジュールはマスタまたはローカルコントローラに設定できます。W-6000M3 コントローラモジュールは、1台あたり最大512のキャンパス接続されたアクセスポイント (AP) をサポートします。互換性と構成オプションについては、5ページの「構成オプション」を参照してください。

最小ソフトウェア要件

W-6000M3 コントローラモジュールには ArubaOS 5.0.3 以降が必要です。



メモ: マスタコントローラ、その冗長マスタコントローラ、およびそのすべてのローカルコントローラは、同じ ArubaOS バージョン上で実行する必要があります。ネットワークをアップグレードして、ネットワークに W-6000M3 コントローラモジュールをインストールした場合、W-6000M3 コントローラモジュールのソフトウェアバージョンが残りのネットワークと一致することを確認してください。モジュールのコードがネットワークをアップグレードした後のバージョンよりも前のものである場合、W-6000M3 コントローラモジュールのコードをアップグレードして残りのネットワークに一致させる必要があります。

パッケージチェックリスト

- Dell PowerConnect W-6000M3 コントローラモジュール
- Dell PowerConnect W-6000M3 コントローラモジュール設置ガイド
- Dell PowerConnect Quick Start Guide
- エンドユーザー使用許諾契約 (EULA)
- 『Safety, Environmental, and Regulatory Information (SERI)』ドキュメント
- 『Warranty and Support Information (WSI)』ドキュメント



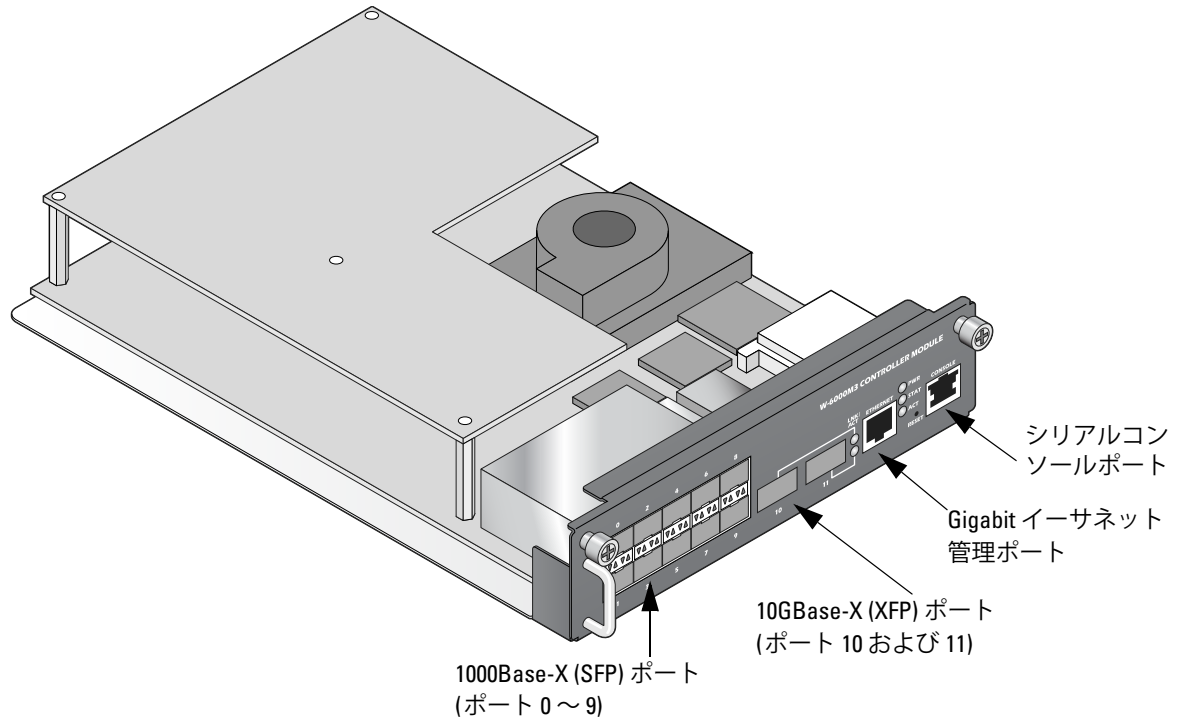
メモ: 内容が違っている場合、不足している場合、または破損している場合は、サプライヤに連絡してください。必要な場合は、元の梱包資材および箱を使用して (可能な場合) パッケージを梱包し、サプライヤに返送してください。



メモ: W-6000M3 と一緒に使用できるオプションアクセサリ (SFP および XFP モジュールなど) は別売りです。詳細については、Dell 販売代理店にお問い合わせください。

ハードウェアの概要

図1 W-6000M3 コントローラモジュール



ポート

1000Base-X (SFP) ポート

W-6000M3 のポート 0 ~ 9 はファイバ接続または銅接続用の 1000Base-X (SFP) ポートで、Dell 認定 SFP での使用を意図しています。



メモ: Dell では、コントローラシステム内の Dell 光ファイバをテストおよびサポートします。サードパーティ製の光ファイバはテストおよびサポートされません。したがって、Dell はサードパーティ製の光ファイバが適切に機能することを保証しません。Dell 認定 SFP に関する詳細は、『Dell PowerConnect W-Series SFP オプティカルモジュール設置ガイド』を参照してください。

10GBase-X (XFP) ポート

W-6000M3 のポート 10 および 11 は、Dell XFP で使用する 10GBase-X 光ファイバポートです。XFPs はホットスワップ対応の 10 Gbit オプティカルトランシーバで、シリアル電気信号を外部のシリアル光信号または電気信号に変換します。



メモ: Dell では、コントローラシステム内の Dell 光ファイバをテストおよびサポートします。サードパーティ製の光ファイバはテストおよびサポートされません。したがって、Dell はサードパーティ製の光ファイバが適切に機能することを保証しません。技術仕様および設置手順など、Dell 認定 XFP に関する詳細は、『Dell PowerConnect W-Series XFP オプティカルモジュール設置ガイド』を参照してください。

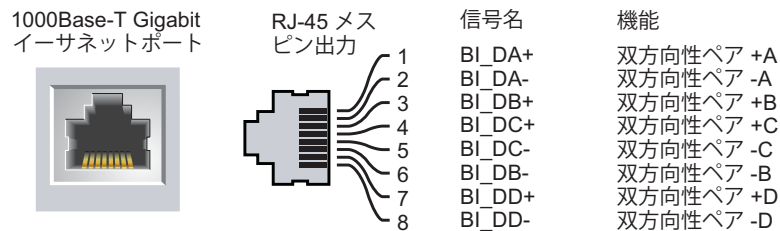
Gigabit イーサネット管理ポート

このポートは 10/100/1000Base-T Gigabit イーサネット (RJ-45) ポートです。Gigabit イーサネットは 8 つのすべてのワイヤを使用し、各ポートは双方向で使用されます。したがって、同じペアがデータの送受信に使用されます。このポートは Auto MDIX をサポートし、ストレートケーブルをクロスケーブルに変換できます。図 2 は、RJ-45 コネクタの CAT-5 ピン出力を示します。CAT-5 ピン出力では、10/100/1000Base-T Gigabit イーサネットポートで、1/2、3/6、4/5、7/8 のペアを構成します。



メモ: このポートのイーサネットトラフィックは帯域外で、通常のスイッチングおよびルーティング機能から切り離されているため、ネットワークデータポートとしては使用できません。

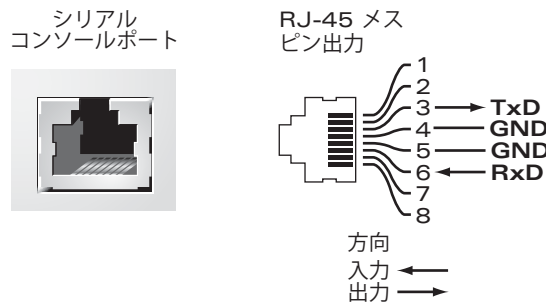
図 2 Gigabit イーサネットポートピン出力



シリアルコンソールポート

シリアルコンソールポートは、ローカル管理を直接行うターミナルに接続するために提供されています。ポートの RJ-45 メスコネクタには、RS-232 シリアルケーブル (オスコネクタ) を接続できます。

図 3 シリアルコンソールポートピン出力



シリアルコンソールポートの通信設定を表 1 に示します。

表 1 シリアル接続の要件

ボーレート	データビット	パリティ	ストップビット	フロー制御
9600	8	なし	1	なし

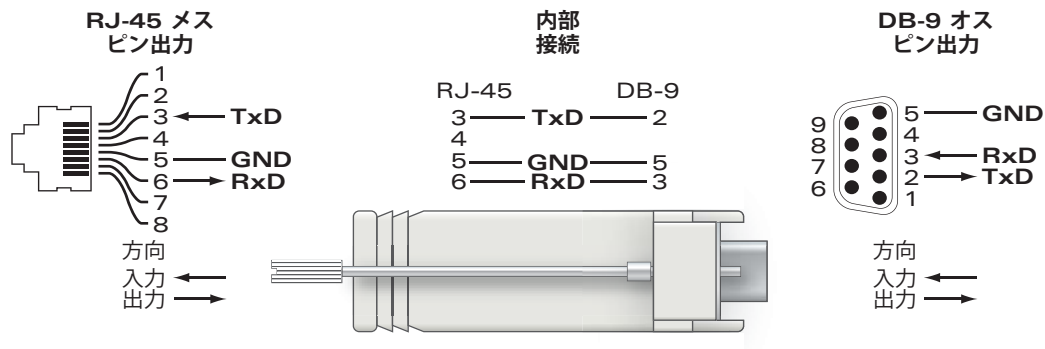


注意: アクセスポイント (AP) をシリアルコンソールポートに接続しないでください。シリアルコンソールポートは、RS-232 デバイスとのみ互換性があります。AP などの RS-232 以外のデバイスはサポートされず、コントローラの故障の原因となります。

シリアルコンソールポートアダプタ

モジュラアダプタを使用して、RJ-45 (メス) コネクタを DB9 (メス) コネクタに変換できます。詳細については、[図 4](#) を参照してください。

図 4 RJ-45 (メス) から DB9 (オス) へのモジュラアダプタ変換



LED ステータスインジケータ

[表 2](#) は、W-6000M3 の LED ([図 5](#) を参照) とその機能を示しています。

図 5 W-6000M3 の前面パネルと LED

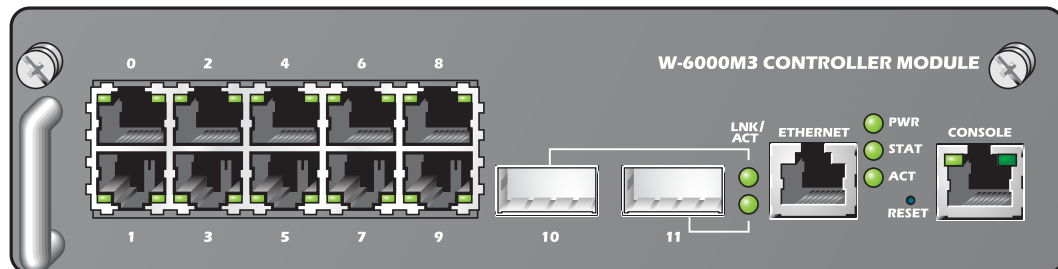


表 2 W-6000M3 の LED の状態

LED	機能	インジケータ	ステータス
PWR	入力電源ステータス	点灯 (緑)	電源投入
		消灯	電源切断
STAT	モジュールステータスインジケータ	点灯 (緑)	デバイス運用中
		点灯 (オレンジ)	デバイス起動中
		点灯 (赤)	デバイス障害
		オフ	ソフトウェアをロード中、または電源切断
ACT	モジュールモードインジケータ	点灯 (緑)	アクティブモード
		点灯 (黄色)	スタンバイモード
		オフ	運用状態を特定できないか、または電源切断
LNK/ACT	リンクステータスインジケータ	点灯 (緑)	リンク確立済み
		点滅 (緑)	ポートでデータの送受信中
		消灯	リンクなし

構成オプション

構成要件

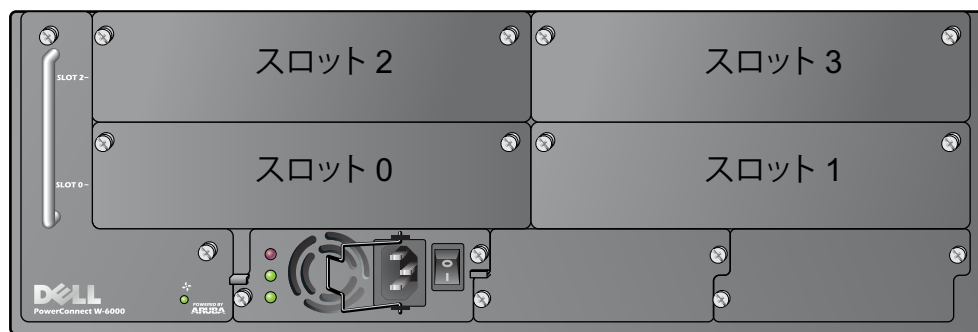
Dell PowerConnect W-6000 で W-6000M3 コントローラモジュールを運用する場合、以下の要件を満たす必要があります。

- 1つ目の W-6000M3 コントローラモジュールは W-6000 シャーシのスロット 0 またはスロット 1 に取り付ける必要があります。スロット 0 またはスロット 1 に W-6000M3 がいない場合、スロット 2 またはスロット 3 の W-6000M3 モジュールは起動しません。Dell W-6000 シャーシのスロット ID と位置については、[図 6](#) を参照してください。

バックプレーン間で以下の通信が行われるため、スロット 2 またはスロット 3 の前に、スロット 0 またはスロット 1 を使用する必要があります。

- スロット 0 はスロット 2 またはスロット 3 (または両方) と通信します。
- スロット 1 はスロット 2 またはスロット 3 (または両方) と通信します。
- W-6000M3 モジュールを W-6000 シャーシに取り付ける場合、400 W パワーサプライのみを使用するように設計されています。詳細については、[8 ページの「電源管理」](#) を参照してください。
- W-6000M3 を取り付ける前に、最小ソフトウェア要件を満たす必要があります。詳細については、[1 ページの「最小ソフトウェア要件」](#) を参照してください。

図 6 W-6000 のスロット構成



- 各モジュールの電源要件によっても、構成オプションは異なります。詳細については、[8 ページの「電源管理」](#) を参照してください。

設置



注意: ほとんどの修理は、認定を受けたサービス技術者のみが行います。製品マニュアルで認められている場合、サービス/サポートチームからオンラインや電話で指示された場合にのみ、トラブルシューティングや簡単な修理を実行してください。Dell が許可しないサービスによる損傷は、保証の対象とはなりません。製品に付属する安全に関する指示を読み、これに従ってください。

設置前の準備

W-6000M3 モジュールを設置するには、以下の工具および機器が必要です。

- 設置済み Dell PowerConnect W-6000 コントローラシャーシ (別売)
- 静電気除去リストストラップ (付属しません)
- #2 プラスドライバー (付属しません)
- Dell PowerConnect W-6000M3 コントローラモジュール

取り付け

W-6000M3 モジュールを W-6000 シャーシに取り付けるには、以下の手順に従います。

1. W-6000M3 を取り付ける際には、静電気放電のための適切な手順を実行してください。



メモ: Dell W-6000M3 コントローラモジュールはホットスワップ対応のため、シャーシの電源はオン/オフどちらでもかまいません。

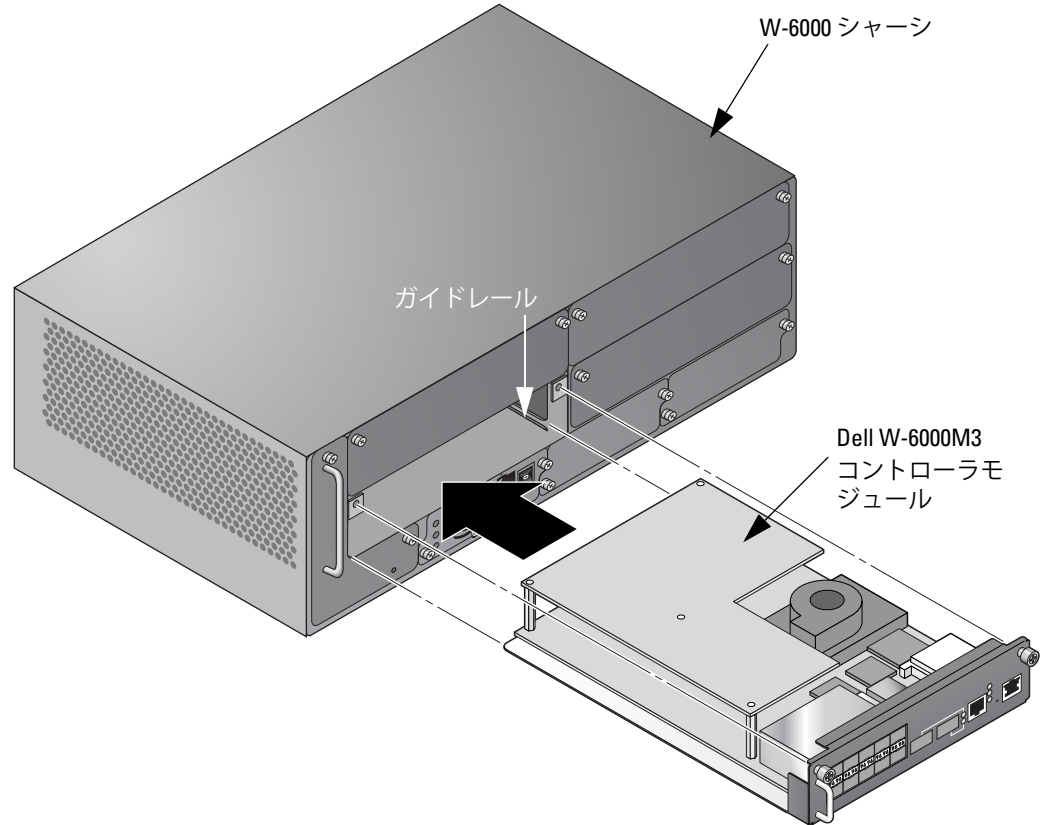
2. W-6000 シャーシの目的のスロットからカバーパネルまたは既存のモジュールを取り外します (該当する場合)。



メモ: Dell では、W-6000 の未使用スロットにカバーパネルを取り付けることを推奨します。W-6000 を適切に冷却し、空気の流れを保つには、カバーパネルが必要です。

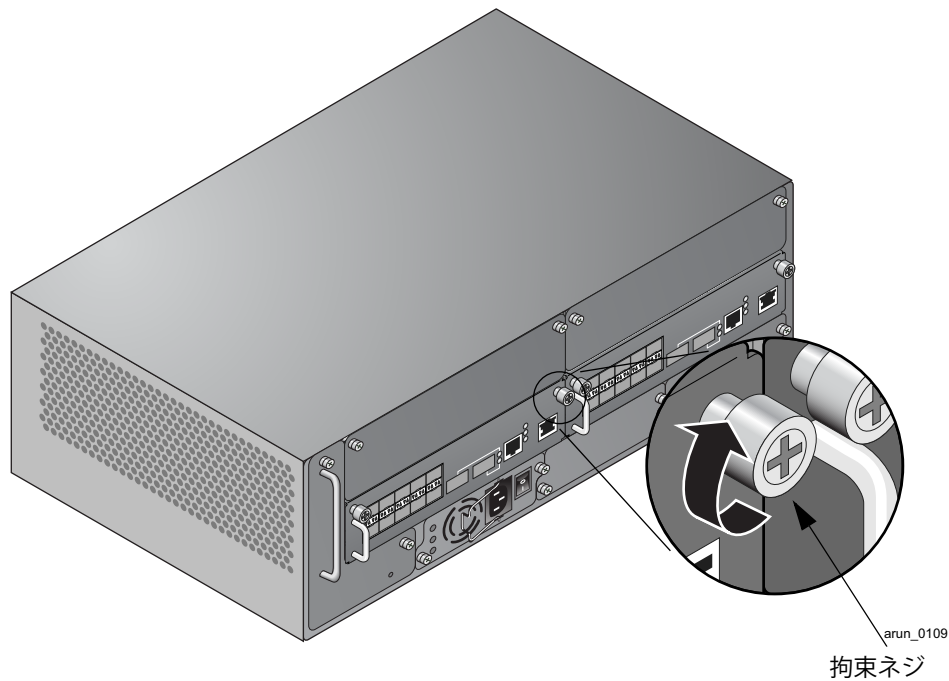
3. W-6000M3 モジュールをパッケージから出し、静電気防止バッグから取り出します。
4. ガイドレールに沿って W-6000M3 をスライドさせ、W-6000 に差し込みます。W-6000M3 を正しく取り付けるには、モジュールがガイドレールに収まっている必要があります (図 7 を参照)。

図 7 W-6000M3 の取り付け



5. #2 プラスドライバーを使用して、W-6000M3 を 2 本の拘束ネジで W-6000 に固定します (図 8 を参照)。拘束ネジを右に回して、手に抵抗を感じるまで締めます。ネジを締めすぎないでください。

図 8 W-6000M3 の固定



初期設定およびネットワーク接続

取り付けが完了したら、W-6000M3 の初期設定を行い、モジュールの IP アドレス (ArubaOS マニュアルのコントローラに関する記載を参照) およびその他の基本的なシステム情報を設定します。ご使用のコントローラにインストールされているソフトウェアバージョンの詳細および手順については、『Dell PowerConnect ArubaOS Quick Start Guide』を参照してください。

取り外し

1. W-6000M3 を取り外す際には、静電気放電のための適切な手順を実行してください。



メモ: Dell W-6000M3 コントローラモジュールはホットスワップ対応のため、シャーシの電源はオン/オフどちらでもかまいません。

2. 拘束ネジを左に回してゆるめて、W-6000M3 の接続を外します。
3. W-6000M3 をスライドさせて W-6000 から取り外します。
4. 未使用の-slot にカバーパネルを取り付けます。



メモ: Dell では、Dell W-6000 シャーシの未使用 slot にカバーパネルを取り付けることを推奨します。W-6000 を適切に冷却し、空気の流れを保つには、カバーパネルが必要です。

電源管理

W-6000 コントローラでは、最大3つの 400 W パワーサプライを使用できます。メインパワーサプライを1つまたは2つ使用して 400 ~ 800 W の主電源を供給している場合、400 W の冗長電源供給が可能です。

最大電源容量を計画するには、シャーシ構成内のすべてのモジュールに必要な最大電力を加算して、パワーサプライの必要数を計算します。

W-6000M3 モジュールと PSU の構成表

次の表は、W-6000M3 モジュールの構成と、必要なパワーサプライの構成および使用電力を示しています。

表3 パワーサプライとモジュールの構成

モジュール	ユニット数			
W-6000M3 コントローラモジュール (モジュールごとの最大消費電力 130 W)	1	2	3	4
電力合計 (W)	130	260	390	520
PSU の必要数	1	1	1	2
PSU の冗長数	1 または 2	1 または 2	1 または 2	1

安全性および規制準拠



メモ: 安全性、準拠規格、および規制に関するその他の情報は、『Dell PowerConnect W-6000 設置ガイド』を参照してください。ユーザーガイド、リファレンスガイド、設置ガイドなど、製品に関する最新の技術文書をダウンロードするには、次のサイトにアクセスしてください: support.dell.com/manuals

Dell は、国固有の規制および追加の安全性と規制情報を含む多言語ドキュメントをすべての Dell ハードウェア製品で提供しています。『Aruba Safety and Regulatory Addendum』は、dell.com で参照またはダウンロードできます。



注意: 本書に記載されているもの以外のコントロールまたは手順を使用した場合、危険な無線放射が発生することがあります。

本製品は、21 CFR Chapter 1, Subchapter J, Part 1040.10、および IEC 60825-1: 1993、A1: 1997、A2: 2001、IEC 60825-2: 2000 に準拠しています。

上記のレーザーに関する安全性標準への継続的に準拠するため、Aruba 製品には Aruba 認定ベンダの承認済み Class 1 モデルのみが使用されています。

This device complies with Part 15 of the FCC Rules. Operation is subject to the following two conditions: (1) this device may not cause harmful interference, and (2) this device must accept any interference received, including interference that may cause undesired operation.

**This Class A digital apparatus complies with Canadian ICES-003.
Cet appareil numérique de la classe A est conforme à la norme NMB-003 du Canada.**

Apparatet må tilkoples jordet stikkontakt.

Laite on liitettävä suojamaadoituskoskettimilla varustettuun pistorasiaan.

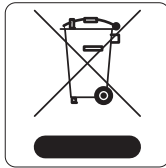
この装置は、クラス A 情報技術装置です。この装置を家庭環境で使用すると電波妨害を引き起こすことがあります。この場合には使用者が適切な対策を講ずるよう要求されることがあります。

VCCI-A

Dell 製機器の適切な廃棄

Global Environmental Compliance および Dell 製品に関する最新情報については、dell.com を参照してください。

電気設備および電子機器の廃棄



EU 加盟国、ノルウェー、およびスイスで Dell 製品を廃棄する場合、左側に示すマークを貼付し、個別に回収および処理を行う必要があります。これらの国で対象製品の処理を行う場合は、WEEE (Waste of Electrical and Electronic Equipment) 2002/96EC 指令が導入されている国の該当する国際法に準拠する必要があります。

欧州連合 RoHS



Dell 製品は、EU Restriction of Hazardous Substances Directive 2002/95/EC (RoHS) にも準拠しています。EU RoHS は、電気機器および電子機器の製造における特定の危険物質の使用を制限する指令です。特に、RoHS 指令で制限されている物質は、鉛 (印刷基板アセンブリで使用されるはんだを含む)、カドミウム、水銀、六価クロム、およびブロムです。一部の Dell 製品は、RoHS 指令の付録 7 に記載されている例外の対象です (印刷基板アセンブリで使用するはんだの鉛)。左側に示す “RoHS” のラベルが添付された製品およびパッケージは、この指令に準拠していることを示します。

Dell の連絡先

表 4 参照先 Web サイト

Web サイトでのサポート	
Web サイトトップ	dell.com
サポート Web サイト	support.dell.com
Dell ドキュメント	support.dell.com/manuals

Copyright

© 2011 Aruba Networks, Inc. AirWave®, Aruba Networks®, Aruba Mobility Management System®, およびその他の登録商標は Aruba Networks, Inc. の商標です。Dell™、DELL™ ロゴ、および PowerConnect™ は Dell Inc. の商標です。

All rights reserved. 本書に記載された仕様は、予告なく変更されることがあります。

米国製。本書に記載されているその他の商標は、それぞれの所有者に帰属します。

オープンソースコード

一部の Aruba 製品には、GNU General Public License (GPL)、GNU Lesser General Public License (LGPL)、およびその他のオープンソースライセンスの対象となるソフトウェアコードを含むサードパーティ製のオープンソースソフトウェアコードが含まれています。使用されているオープンソースコードは、以下のサイトで参照できます。

http://www.arubanetworks.com/open_source

法的通知

個人または企業による Aruba Networks, Inc. スイッチングプラットフォームおよびソフトウェアの使用によって生じるその他のベンダの VPN クライアントデバイスが排除された場合、このアクションに対するその個人または企業の責任の完全な受諾を伴い、これらのベンダの代理として著作権の侵害に関して Aruba Networks, Inc. に対して適用される可能性のあるすべての合法的なアクションを補償するものとします。



Dell PowerConnect W-6000M3 컨트롤러 모듈 설치 안내서

소개

Dell PowerConnect W-6000M3 컨트롤러 모듈은 Dell W-6000 컨트롤러 새시 내에서 사용하는 핫 스왑형 컨트롤러 모듈입니다. W-6000 컨트롤러 새시는 각기 마스터 또는 로컬 컨트롤러로 구성할 수 있는 W-6000M3 모듈 최대 4개를 수용할 수 있습니다. 각 W-6000M3 컨트롤러 모듈은 캠퍼스 연결된 액세스 포인트(AP)를 최대 512개까지 지원할 수 있습니다. 호환성 및 구성 옵션에 대해서는 5페이지의 “구성 옵션”을 참조하십시오.

최소 소프트웨어 요구 사항

W-6000M3 컨트롤러 모듈은 ArubaOS 5.0.3 이상이 요구됩니다.



참고: 마스터 컨트롤러, 중복 마스터 컨트롤러 및 모든 로컬 컨트롤러는 같은 ArubaOS 버전에서 실행해야 합니다. 네트워크를 업그레이드하고 W-6000M3 컨트롤러 모듈을 네트워크에 설치한 후 W-6000M3 컨트롤러 모듈의 소프트웨어 버전이 나머지 네트워크와 일치하는지 확인합니다. 모듈에 심은 코드가 네트워크를 업그레이드한 버전 이전인 경우 W-6000M3 컨트롤러 모듈의 코드를 나머지 네트워크에 일치하도록 업그레이드해야 합니다.

패키지 체크리스트

- Dell PowerConnect W-6000M3 컨트롤러 모듈
- Dell PowerConnect W-6000M3 컨트롤러 모듈 설치 안내서
- Dell PowerConnect 빠른 시작 안내서
- 최종 사용자 라이선스 계약(EULA)
- SERI(Safety, Environmental, and Regulatory Information) 문서
- 보증 및 지원 정보(WSI) 문서



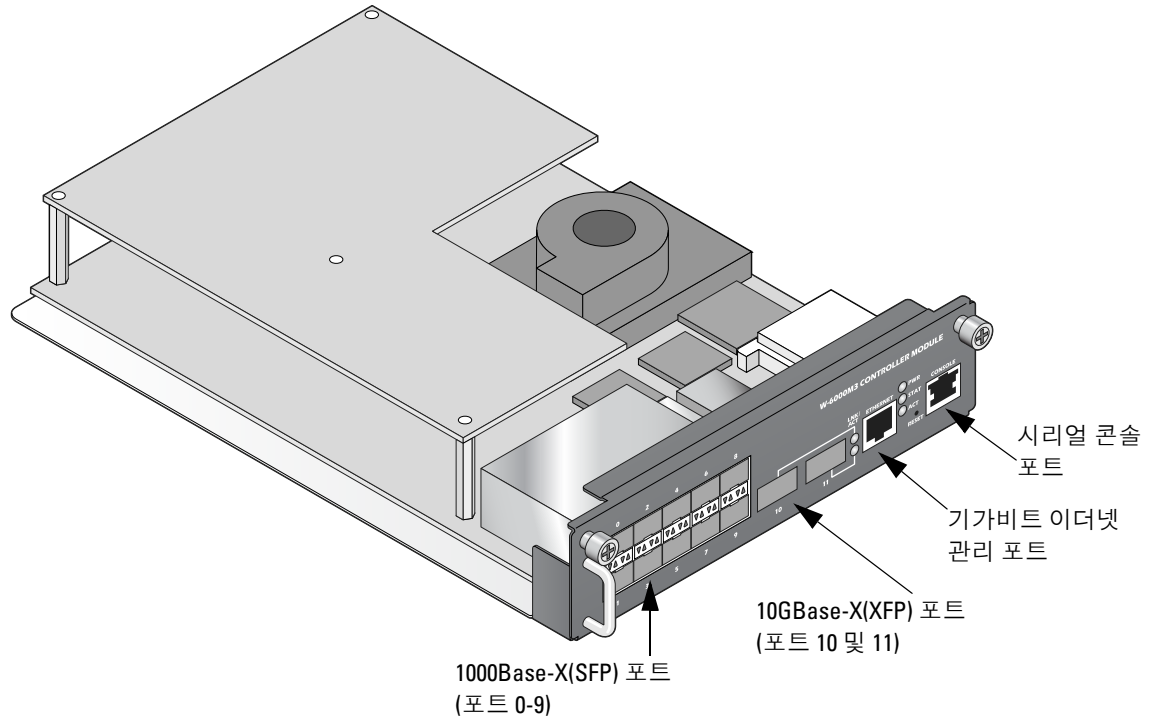
참고: 잘못되었거나 누락되었거나 손상된 부분이 있는 경우 공급업체에 알려 주십시오. 가능하면 원래 포장 재료뿐만 아니라 상자도 보관해 두십시오. 필요한 경우 이를 사용하여 장치를 다시 포장하고 공급업체에 반환하십시오.



참고: SFP 및 XFP 모듈 같은 옵션 액세서리를 W-6000M3에 사용할 수 있으며 별도로 판매됩니다. 자세한 내용과 지원에 대해서는 해당 지역 Dell 영업 담당자에게 문의하십시오.

하드웨어 개요

그림 1 W-6000M3 컨트롤러 모듈



포트

1000Base-X(SFP) 포트

W-6000M3의 포트 0 ~ 9는 파이버 또는 구리선 연결용 1000Base-X(SFP) 포트이며 Dell 공인 SFP에 사용됩니다.



참고: Dell은 자사 컨트롤러 시스템에서 Dell 광기기를 테스트하여 지원합니다. 타사 광기기는 테스트되지 않았거나 지원되지 않으므로 Dell은 타사 광기기의 올바른 기능을 보장하지 않습니다. Dell 공인 SFP에 대한 자세한 내용에 대해서는 *Dell PowerConnect W-Series SFP 광모듈 설치 안내서*를 참조하십시오.

10GBase-X(XFP) 포트

W-6000M3의 포트 10 및 11은 Dell XFP에 사용하는 10GBase-X 파이버 광포트입니다. XFP는 일렬 전기 신호를 외부 일렬 광 또는 전기 신호로 변환하는 10Gbit 핫 스왑형 광송수신기입니다.



참고: Dell은 자사 컨트롤러 시스템에서 Dell 광기기를 테스트하여 지원합니다. 타사 광기기는 테스트되지 않았거나 지원되지 않으므로 Dell은 타사 광기기의 올바른 기능을 보장하지 않습니다. 기술 사양 및 설치 지침 등 Dell 공인 XFP에 관한 자세한 내용은 *Dell PowerConnect W-Series XFP 광모듈 설치 안내서*를 참조하십시오.

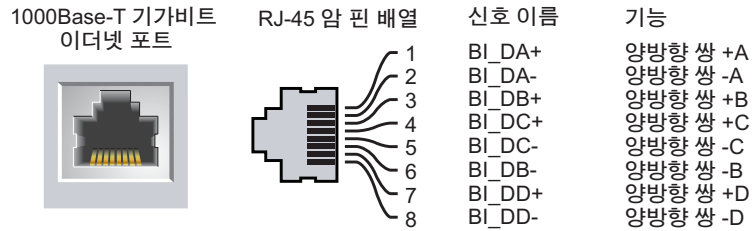
기가비트 이더넷 관리 포트

이 포트는 10/100/1000Base-T 기가비트 이더넷(RJ-45) 포트입니다. 기가비트 이더넷에는 총 8개의 선이 사용되고 각 쌍은 양방향 방식으로 사용되므로 같은 쌍들은 데이터 송신 및 수신을 위해 사용됩니다. 이 포트는 또한 자동 MDIX를 지원하기 때문에 다이렉트 케이블을 크로스오버로 사용할 수 있습니다. [그림 2](#)는 RJ-45 커넥터의 CAT-5의 핀 배열입니다. CAT-5 핀 배열 쌍은 1/2, 3/6, 4/5 및 7/8과 같이 10/100/1000Base-T 기가비트 이더넷 포트에 있는 핀입니다.



참고: 이 포트의 이더넷 트래픽은 대역을 벗어납니다. 이 포트는 일반 스위칭과 라우팅 기능에서 분리된 포트이며 네트워크 데이터 포트로는 사용할 수 없습니다.

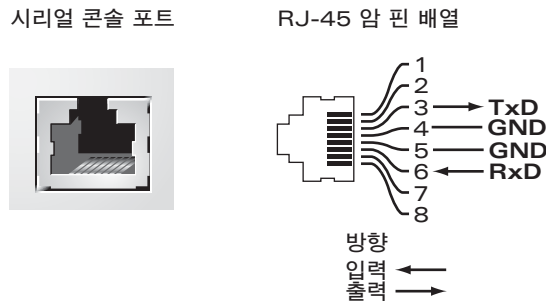
그림 2 기가비트 이더넷 포트 핀 배열



시리얼 콘솔 포트

터미널 연결을 위해 시리얼 콘솔 포트가 제공되므로 해당 컨트롤러를 직접 관리할 수 있습니다. 포트의 RJ-45 암 커넥터는 수 커넥터가 있는 RS-232 시리얼 케이블을 수용할 수 있습니다.

그림 3 시리얼 콘솔 포트 핀 배열



시리얼 콘솔 포트에 대한 통신 설정은 [표 1](#)에 나열되어 있습니다.

표 1 직렬 연결 요구 사항

전송 속도	데이터 비트	패리티	정지 비트	흐름 제어
9600	8	없음	1	없음

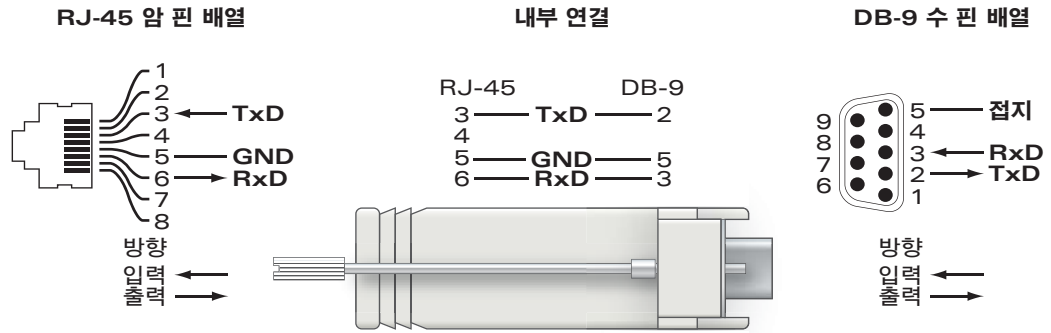


주의: 액세스 포인트(AP)를 시리얼 콘솔 포트에 연결하지 마십시오. 직렬 콘솔 포트는 RS-232 장치와만 호환됩니다. AP 같이 RS-232 장치가 아닌 장치는 지원되지 않으며 사용할 경우 컨트롤러에 고장을 유발합니다.

시리얼 콘솔 포트 어댑터

모듈 어댑터를 사용하여 RJ-45(암) 커넥터를 DB9(수) 커넥터로 전환할 수 있습니다. 자세한 내용은 [그림 4](#)를 참조하십시오.

그림 4 RJ-45(암)에서 DB-9(수)로 모듈 어댑터 전환



LED 상태 표시등

[표 2](#)는 W-6000M3 LED([그림 5](#)의 그림)와 해당 기능을 설명합니다.

그림 5 W-6000M3 전면 패널 및 LED

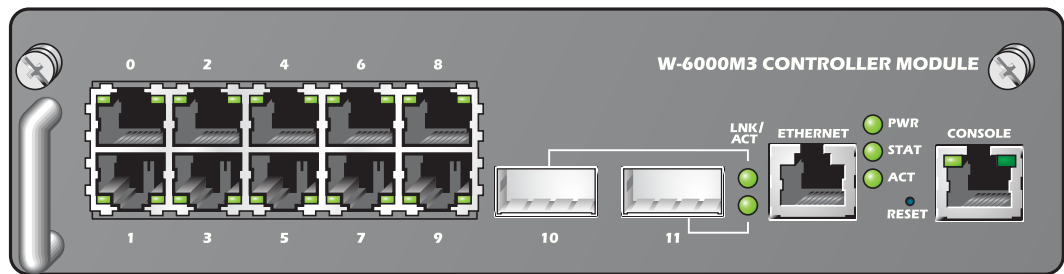


표 2 W-6000M3 LED 동작

LED	기능	표시등	상태
전원	입력 전원 상태	켜짐(녹색)	전원 켜짐
		꺼짐	전원 없음
STAT	모듈 상태 표시등	켜짐(녹색)	장치가 작동하는 중
		켜짐(황색)	장치가 부팅하는 중
		켜짐(적색)	장치 고장
		꺼짐	장치가 소프트웨어를 로드하는 중이거나 전원 없음
ACT	모듈 모드 표시등	켜짐(녹색)	활성 모드의 장치
		켜짐(노란색)	대기 모드의 장치
		꺼짐	장치에서 작동 상태를 아직 파악하지 못하거나 전원 없음
LNK/ACT	연결 상태 표시등	켜짐(녹색이 켜진 상태)	연결됨
		켜짐(녹색 깜박임)	포트를 통해 데이터를 송수신하는 중
		꺼짐	포트에 연결 없음

구성 옵션

구성 요구 사항

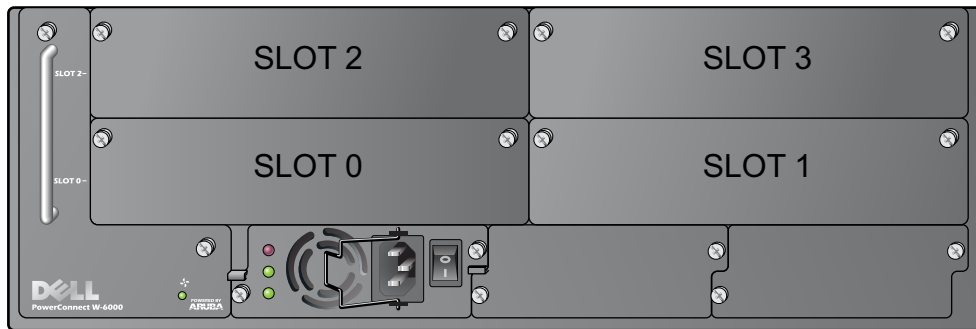
W-6000M3 컨트롤러 모듈을 Dell PowerConnect W-6000 안에서 실행할 때 준수해야 할 요구 사항은 다음과 같습니다.

- 첫 W-6000M3 컨트롤러 모듈은 W-6000 새시의 슬롯 0 또는 슬롯 1에 설치되어야 합니다. 슬롯 2 및 슬롯 3의 W-6000M3 모듈은 W-6000M3이 슬롯 0 또는 슬롯 1에 없는 경우 부팅되지 않습니다. Dell W-6000 새시 내의 슬롯 ID 및 위치에 대해서는 [그림 6](#)을 참조하십시오.

슬롯 0 또는 슬롯 1은 슬롯 2 또는 슬롯 3 이전에 채워야 하는데 이것은 백본 통신이 다음과 같기 때문입니다.

- 슬롯 0은 슬롯 2 및/또는 슬롯 3과 통신함
- 슬롯 1은 슬롯 2 및/또는 슬롯 3과 통신함
- W-6000M3 모듈은 400W 전원 공급장치만 활용하는 W-6000 새시 안에 설치해야 합니다. 자세한 내용은 [8페이지의 “전원 관리”](#)를 참조하십시오.
- W-6000M3을 설치하기 전에 최소 소프트웨어 요구 사항이 만족되어야 합니다. 자세한 내용은 [1페이지의 “최소 소프트웨어 요구 사항”](#)를 참조하십시오.

그림 6 W-6000 슬롯 구성



- 구성 옵션도 각 모듈의 전원 요구 사항에 의존합니다. 자세한 내용은 [8페이지의 “전원 관리”](#)를 참조하십시오.

설치



주의: 수리의 많은 부분은 공인 서비스 기술자만 수행할 수 있습니다. 귀하는 제품 설명서에서 허가하거나 온라인 또는 전화 서비스 및 지원 팀에서 지시한 대로 문제 해결과 간단한 수리만 수행할 수 있습니다. Dell에서 허가하지 않은 서비스로 인해 발생한 손상은 보증을 받을 수 없습니다. 제품과 함께 제공된 안전 지침을 읽고 따르십시오.

설치 전 요구 사항

W-6000M3 모듈을 설치하려면 다음과 같은 공구와 장비가 필요합니다.

- 사전 설치된 Dell PowerConnect W-6000 컨트롤러 새시(별도 판매)
- ESD-방지 팔목 띠(제공되지 않음)
- 2번 십자 드라이버(제공되지 않음)
- Dell PowerConnect W-6000M3 컨트롤러 모듈

장비 설치

W-6000 새시에 W-6000M3 모듈 설치:

1. W-6000M3을 설치할 때 표준 ESD 예방 조치를 사용합니다.



참고: Dell W-6000M3 컨트롤러 모듈은 핫 스왑형이기 때문에 새시 전원이 켜져 있든 꺼져 있든 상관 없습니다.

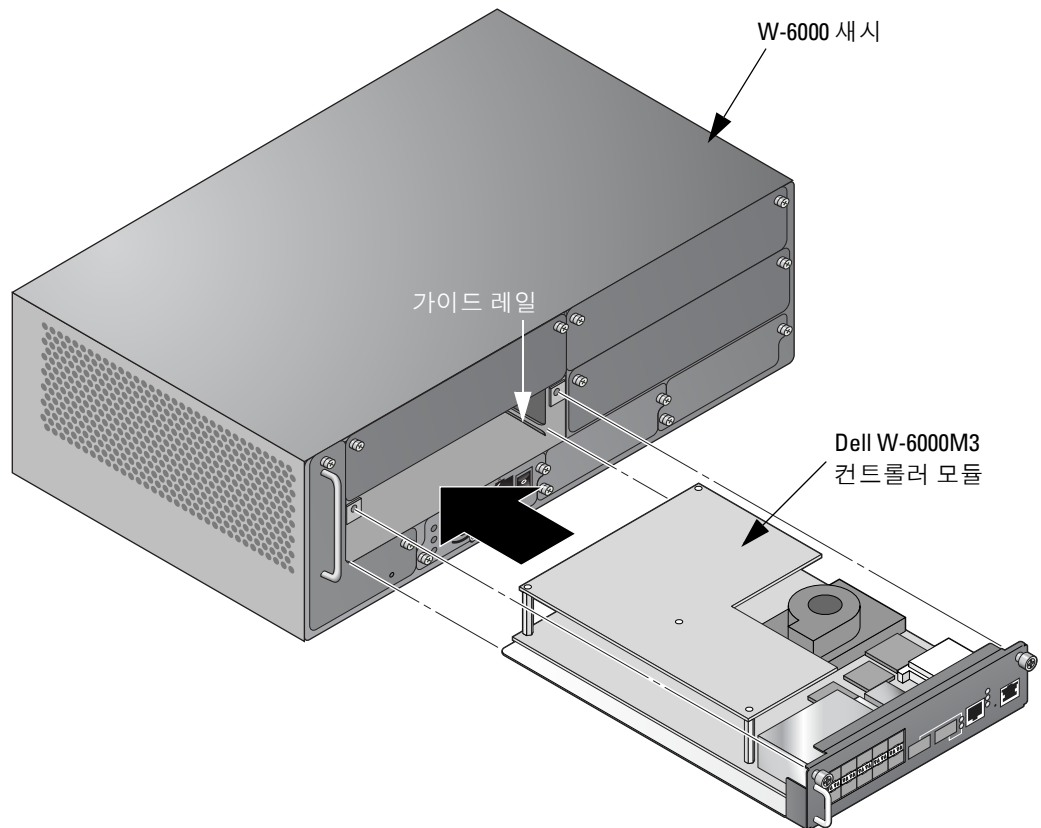
2. W-6000 새시에서 블랭크 전면 패널 또는 기존 모듈(상황에 따라)을 제거합니다.



참고: Dell은 W-6000의 사용하지 않은 슬롯에 블랭크 전면 패널을 사용할 것을 권장합니다. 블랭크 전면 패널은 W-6000 내의 올바른 냉각과 공기 흐름을 위해 필요합니다.

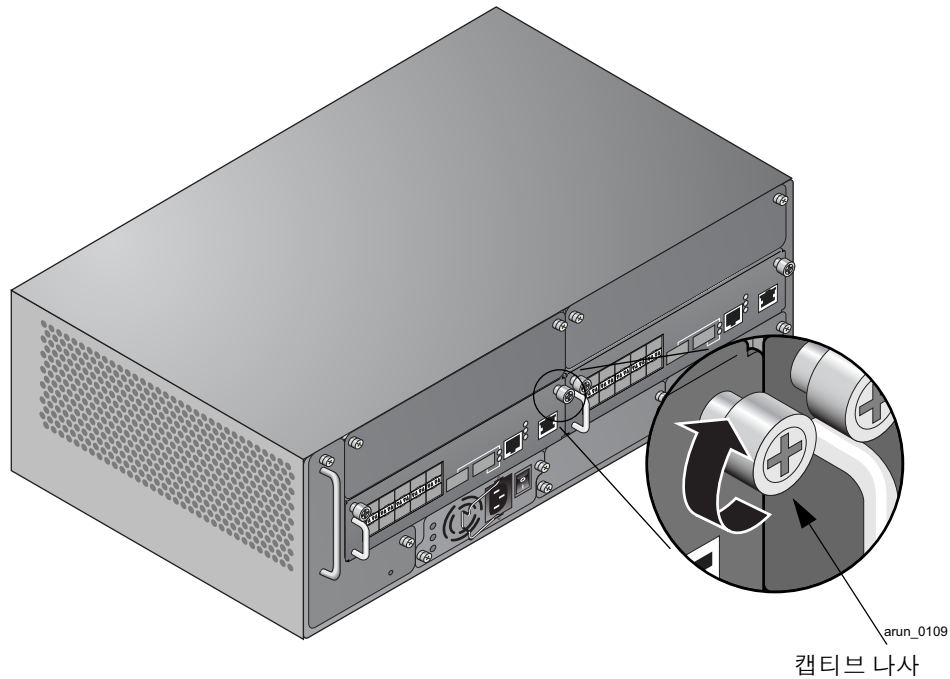
3. 배송 포장과 ESD 백에서 W-6000M3 모듈을 꺼냅니다.
4. 가이드 레일을 사용하여 W-6000M3을 W-6000에 밀어 넣습니다. W-6000M3은 가이드 레일에 올려져야 올바르게 설치됩니다(그림 7 참조).

그림 7 W-6000M3 설치



- 2번 십자 드라이버를 사용하여 캡티브 나사 2개를 조여 W-6000M3을 W-6000에 고정합니다(그림 8 참조). 캡티브 나사를 손으로 시계 방향으로 돌려 조입니다. 나사를 무리하게 조이지 마십시오.

그림 8 W-6000M3 고정



초기 설정 및 네트워크 연결

설치가 완료되었으면 W-6000M3에서 초기 설정을 수행하여 모듈(ArubaOS 사용 설명서에 컨트롤러로 명명됨)의 IP 주소와 기타 기본 시스템 정보를 구성합니다. 전체 내용과 지침에 대해서는 *Dell PowerConnect ArubaOS 빠른 시작 안내서*에서 컨트롤러에 설치된 소프트웨어 버전을 참조하십시오.

제거

- W-6000M3을 제거할 때 표준 ESD 예방 조치를 사용합니다.



참고: Dell W-6000M3 컨트롤러 모듈은 핫 스왑형이기 때문에 새시 전원이 켜져 있든 꺼져 있든 상관 없습니다.

- 캡티브 나사를 반시계 방향으로 돌려 나사를 헐겁게 한 후 W-6000M3을 분리합니다.
- W-6000에서 W-6000M3을 당겨 제거합니다.
- 블랭크 전면 패널을 사용하지 않는 슬롯에 설치합니다.



참고: Dell은 Dell W-6000 새시의 사용하지 않는 모든 슬롯에 블랭크 전면 패널을 사용할 것을 요청합니다. 블랭크 전면 패널은 W-6000 내의 올바른 냉각과 공기 흐름을 위해 필요합니다.

전원 관리

W-6000 컨트롤러는 400W 전원 공급장치를 최대 3개까지 지원합니다. 400 ~ 800W의 1차 전력에 1차 전원 공급장치를 하나 또는 두 개를 사용할 경우 400W 중복 전원 공급장치를 사용하는 것이 가능합니다.

최대 용량을 설계하려면 새시 구성의 모든 모듈에 필요한 최대 인출 전력을 추가하여 필요한 전원 공급장치 개수를 파악합니다.

W-6000M3 모듈 및 PSU 구성표

다음 표에서는 W-6000M3 모듈 구성, 결과적 전원 공급장치 구성 및 전력 사용량을 나타냅니다.

표 3 전원 공급장치 및 모듈 구성

모듈	유닛 개수			
W-6000M3 컨트롤러 모듈 (130W: 개당 최대 인출 전력)	1	2	3	4
총 전력(W)	130	260	390	520
필요한 PSU 개수	1	1	1	2
중복 PSU 개수	1 또는 2	1 또는 2	1 또는 2	1

안전 및 규정 준수



참고: 추가 안전, 규정 준수 및 법적 정보에 대해서는 Dell PowerConnect W-6000 설치 안내서를 참조하십시오. 사용자 안내서, 참조 안내서, 설치 안내서 등 최신 기술 제품 설명서를 다운로드하려면 다음 사이트를 방문하십시오.

support.dell.com/manuals

Dell은 모든 Dell 하드웨어 제품에 대한 국가별 제한, 추가 안전 및 법적 정보가 들어 있는 다국어 문서를 제공합니다. Aruba 안전 및 규정 보충판은 dell.com에서 보거나 다운로드할 수 있습니다.



주의: 이 설명서에 명시한 것 이외의 컨트롤을 사용이나 성능 또는 절차를 조정하면 위험한 방사선 노출이 발생할 수 있습니다.

이 제품은 21 CFR Chapter 1, Subchapter J, Part 1040.10 및 IEC 60825-1: 1993, A1: 1997, A2: 2001, IEC 60825-2: 2000을 준수합니다.

앞서 설명한 레이저 안전 표준을 계속 준수하려면 승인된 공급업체의 승인된 Class 1 모듈만 Aruba 제품에 설치해야 합니다.

This device complies with Part 15 of the FCC Rules. Operation is subject to the following two conditions: (1) this device may not cause harmful interference, and (2) this device must accept any interference received, including interference that may cause undesired operation.

This Class A digital apparatus complies with Canadian ICES-003.
Cet appareil numérique de la classe A est conforme à la norme NMB-003 du Canada.

Apparatet må tilkoples jordet stikkontakt.

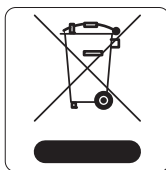
Laite on liitettävä suojamaadoituskoskettimilla varustettuun pistorasiaan.

この装置は、クラス A 情報技術装置です。この装置を家庭環境で使用すると電波妨害を引き起こすことがあります。この場合には使用者が適切な対策を講ずるよう要求されることがあります。 VCCI-A

Dell 장비의 적절한 폐기

지구 환경 준수 및 Dell 제품에 대한 최신 정보는 당사의 웹 사이트인 dell.com을 참조하십시오.

전기 및 전자 장비의 폐기물



수명이 완료된 Dell 제품은 EU 회원국인 노르웨이와 스위스에서 수집하고 처리하도록 되어 있으므로 왼쪽의 기호(X자가 표시된 바퀴 달린 대형 쓰레기통)가 표시되어 있습니다. 이러한 국가에서 수명이 완료된 제품에 적용되는 처리는 WEEE(Waste of Electrical and Electronic Equipment)의 지침 2002/96EC를 시행하는 국가의 해당 국내법을 준수합니다.

EU RoHS

RoHS Dell 제품은 EU RoHS(Restriction of Hazardous Substances) 지침 2002/95/EC도 준수합니다. EU RoHS는 전기 및 전자 장비 제조업체에서 특정한 위험 물질의 사용을 제한합니다. 특히 RoHS 지침에서 제한하는 물질은 납(인쇄 회로 어셈블리에서 사용하는 뱀납 포함), 카드뮴, 수은, 6가 크롬 및 브롬입니다. 일부 Dell 제품은 RoHS 지침 Annex 7에 나열된 면제에 적용됩니다(인쇄 회로 어셈블리에 사용되는 뱀납의 납). 제품과 포장에는 왼쪽의 "RoHS" 레이블이 부착되어 있으며, 이는 지침에 대한 준수를 나타내는 것입니다.

Dell에 문의

표 4 웹사이트 연락처

웹사이트 지원	
메인 웹사이트	dell.com
지원 웹사이트	support.dell.com
Dell 문서	support.dell.com/manuals

저작권

© 2011 Aruba Networks, Inc. AirWave®, Aruba Networks®, Aruba Mobility Management System®, 및 기타 등록 표시는 Aruba Networks, Inc.의 상표이고 Dell™, DELL™ 로고 및 PowerConnect™는 Dell Inc의 상표입니다.

All rights reserved. 이 설명서의 사양은 통보 없이 변경될 수 있습니다.

미국에서 인쇄. 이 설명서에 나타나는 다른 모든 상표는 해당 소유자의 재산입니다.

오픈 소스 코드

특정 Aruba 제품에는 GNU General Public License(GPL), GNU Lesser General Public License(LGPL) 또는 기타 오픈 소스 라이선스에 적용되는 소프트웨어 코드를 포함하여 타사에서 개발된 오픈 소스 소프트웨어 코드가 포함되어 있습니다. 사용된 오픈 소스 코드는 다음 사이트에서 볼 수 있습니다.

http://www.arubanetworks.com/open_source

법적 고지

모든 개인 또는 회사에서 다른 공급업체의 VPN 클라이언트 장치를 중단하기 위해 Aruba Networks, Inc.의 스위칭 플랫폼 및 소프트웨어를 사용하는 것은 이런 행동에 대해 해당 개인 또는 회사가 전적으로 책임을 진다는 것을 수락하는 것이며 Aruba Networks, Inc.는 이러한 공급업체를 대신하여 저작권 위반에 관해 발생할 수 있는 모든 법적 소송으로부터 면책됩니다.



Dell PowerConnect W-6000M3 控制器模块 安装指南

介绍

Dell PowerConnect W-6000M3 控制器模块是一种可热交换的控制器模块，可用于 Dell W-6000 控制器机箱。W-6000 控制器机箱最多能够容纳四个 W-6000M3 模块，其中每个模块均可配置为主模块或本地控制器。每个 W-6000M3 控制器模块均能够最多支持 512 个园区连接的接入点 (AP)。有关兼容性和配置选项，请参阅第 5 页上的“配置选项”。

最低软件要求

W-6000M3 控制器模块要求使用 ArubaOS 5.0.3 或更高版本。



注意：主控制器、其备用主控制器以及它的所有本地控制器都必须运行相同版本的 ArubaOS。当您升级网络并将 W-6000M3 控制器模块安装到您的网络中后，请确认 W-6000M3 模块上的软件版本是否与网络其余部分所使用的软件版本一致。控制器如果该模块上自带的版本早于网络升级后的版本，则您必须升级 W-6000M3 控制器模块上的软件版本，使之与网络其余部分所使用的软件版本一致。

包装核查清单

- Dell PowerConnect W-6000M3 控制器模块
- Dell PowerConnect W-6000M3 控制器模块安装指南
- Dell PowerConnect 快速入门指南
- 最终用户许可协议 (End User License Agreement, EULA)
- 安全、环保和合规性信息 (Safety, Environmental, and Regulatory Information, SERI) 文档
- 保修和支持信息 (Warranty and Support Information, WSI) 文档



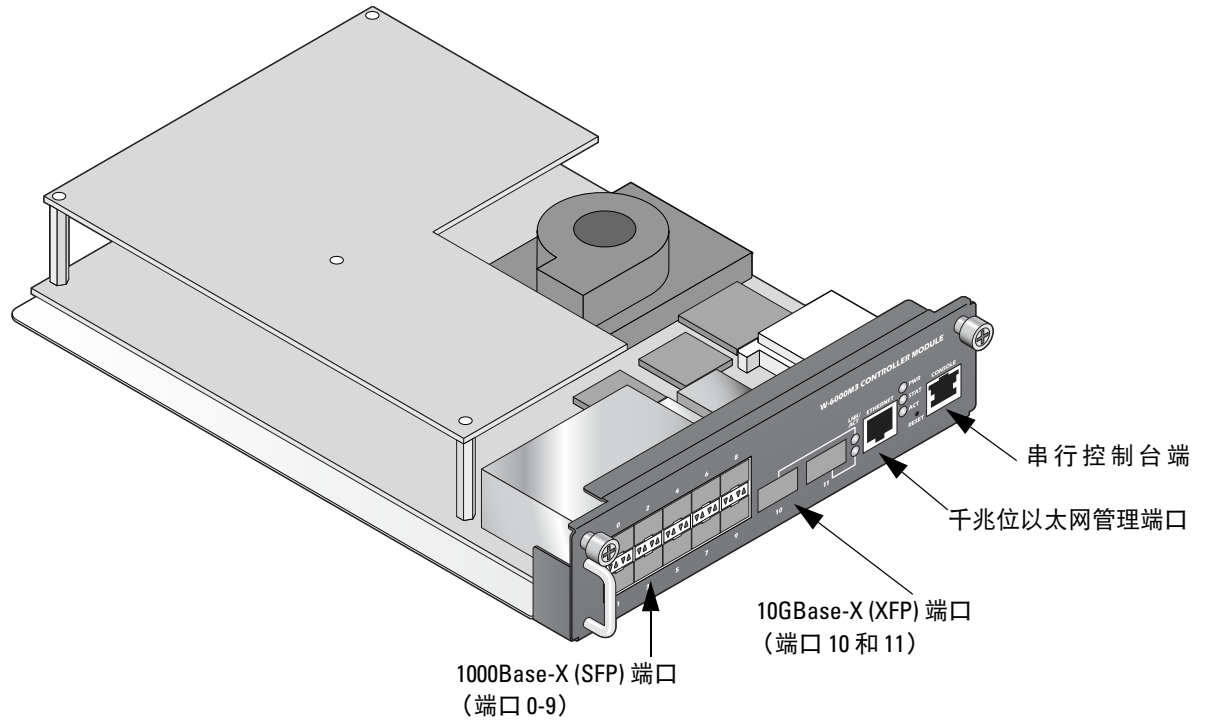
注意：如果发现任何不正确、缺失或损坏的部件，请通知您的供应商。请尽可能保留包装箱，包括原始包装材料。必要时，可以利用这些材料重新包装设备，将其退回给供应商。



注意：供与 W-6000M3 一起使用的可选附件（如 SFP 和 XFP 模块）需另购。要了解详细信息以及获得协助，请联系您的 Dell 销售代表。

硬件概览

图 1 W-6000M3 控制器模块



端口

1000Base-X (SFP) 端口

W-6000M3 上的端口 0 至 9 为用于实现光纤或铜连通性的 1000Base-X (SFP) 端口，它们可与 Dell 认可的 SFP 一同使用。



注意： Dell 测试了他们控制器系统内的 Dell 光纤产品并且支持这些产品。第三方光纤产品未经过测试或得到支持，因此，Dell 不能保证使用第三方光纤产品时能够发挥它们的正常功能。有关 Dell 认可的 SFP 的更多详细信息，请参阅 *Dell PowerConnect W 系列 SFP 光模块安装指南*。

10GBase-X (XFP) 端口

W-6000M3 上的端口 10 和 11 为可与 Dell XFP 一同使用的 10GBase-X 光纤端口。XFP 为 10 Gb 热交换光收发器，可将串行电信号转换成外部串行光或电信号。



注意： Dell 测试了他们控制器系统内的 Dell 光纤产品并且支持这些产品。第三方光纤产品未经过测试或得到支持，因此，Dell 不能保证使用第三方光纤产品时能够发挥它们的正常功能。有关 Dell 认可的 XFP 的更多详细信息，例如技术规格及安装说明，请参阅 *Dell PowerConnect W 系列 XFP 光模块安装指南*。

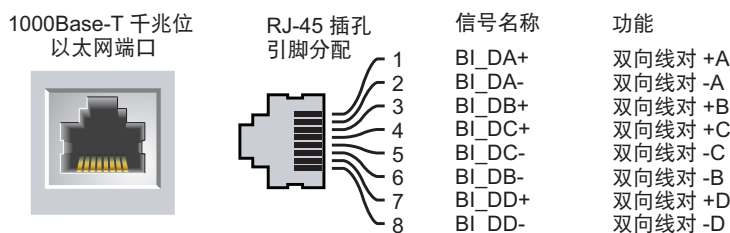
千兆位以太网管理端口

此端口为 10/100/1000Base-T 千兆位以太网 (RJ-45) 端口。千兆位以太网使用所有 8 根线缆传输，每一对均采用双向形式，这意味着相同线对同时用于数据传输和接收。该端口还支持 Auto MDIX，从而允许使用直通线的跨接。图 2 图解说明了 RJ-45 连接器上的 CAT-5 引脚分配。CAT-5 引脚分配对 10/100/1000Base-T 千兆位以太网端口上的下列引脚进行配对：1/2、3/6、4/5 及 7/8。



注意：该端口上的以太网流量为带外流量；该端口与常规交换和路由功能分隔开来，不能用作网络数据端口。

图 2 千兆位以太网端口引脚分配



串行控制台端口

提供了一个串行控制台端口，用于与终端相连，以实现直接本地管理。该端口的 RJ-45 插孔连接器接受带有插头连接器的 RS-232 串行电缆。

图 3 串行控制台端口引脚分配

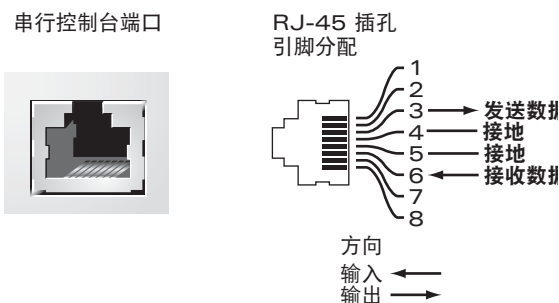


表 1 中列有串行控制台端口的通讯设置。

表 1 串行连接要求

波特率	数据位	奇偶性	停止位	流量控制
9600	8	无	1	无

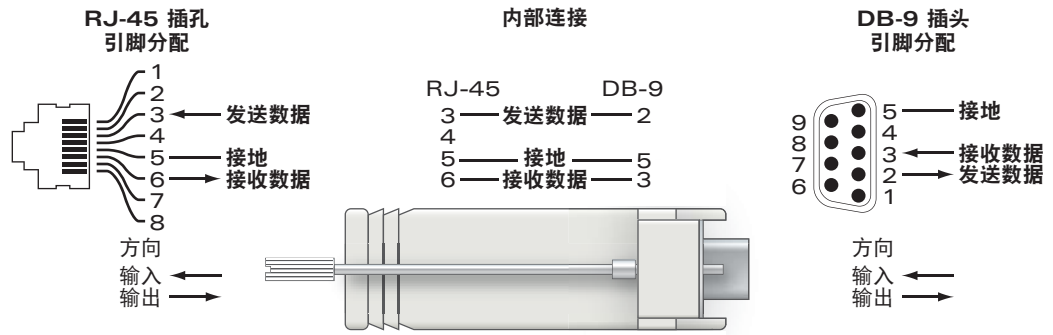


小心：请勿将接入点 (Access Point, AP) 连接到串行控制台端口。串行控制台端口只兼容 RS-232 装置。不支持非 RS-232 装置，例如 AP，这些装置将会使控制器出现故障。

串行控制台端口适配器

模块适配器可用于将 RJ-45（插孔）连接器转换成 DB9（插头）连接器。有关完整详细信息，请参阅图 4。

图 4 RJ-45（插孔）转 DB9（插头）模块适配器转换



LED 状态指示灯

表 2 描述了 W-6000M3 LED（在图 5 中显示）及其功能。

图 5 W-6000M3 前面板和 LED

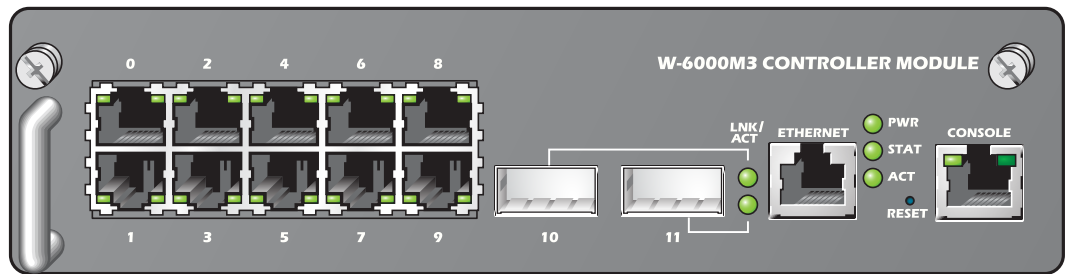


表 2 W-6000M3 LED 行为

LED 屏幕	功能	指示灯	状态
PWR（电源）	输入功率状态	亮（绿灯）	通电
		不亮	无电
STAT	模块状态指示灯	亮（绿灯）	装置正在运行
		亮（黄灯）	装置正在启动
		亮（红灯）	装置出现故障
		不亮	装置正在加载软件或无电
ACT	模块模式指示灯	亮（绿灯）	装置处于活动模式
		亮（黄灯）	装置处于待机模式
		不亮	装置尚未确定运行状态或无电
LNK/ACT	链路状态指示灯	亮（绿灯常亮）	链路已建立
		亮（绿灯闪烁）	端口正在发送或接收数据
		不亮	端口上没有链路

配置选项

配置要求

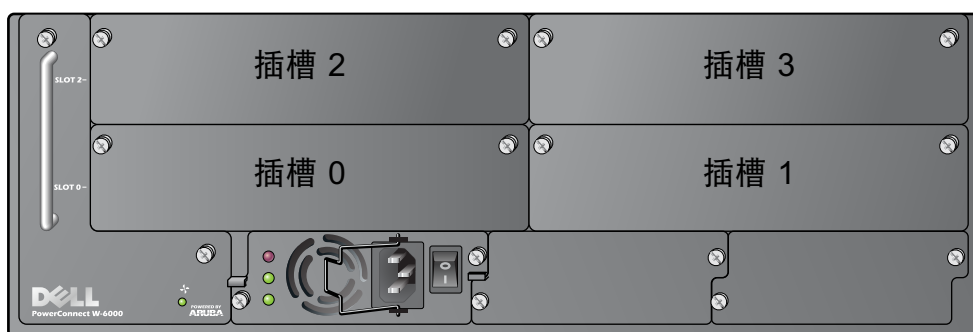
运行 W-6000M3 控制器模块（在 Dell PowerConnect W-6000 中）时必须符合以下要求：

- 必须将第一个 W-6000M3 控制器模块安装到 W-6000 机箱的插槽 0 或 1 中。如果为以下情况，插槽 2 或 3 中的 W-6000M3 模块不会启动：W-6000M3 不在插槽 0 或 1 中。请参阅图 6，了解 Dell W-6000 机箱中的插槽 ID 和位置。

必须先安装到插槽 0 或 1，然后再安装到插槽 2 或 3，因为在下列之间会出现底板通信：

- 插槽 0 与插槽 2 和/或 3 通信
- 插槽 1 与插槽 2 和/或 3 通信
- W-6000M3 模块可安装到仅使用 400 W 电源的 W-6000 机箱中。有关完整详细信息，请参阅第 8 页上的“电源管理”。
- 安装 W-6000M3 前必须符合最低软件要求。有关完整详细信息，请参阅第 1 页上的“最低软件要求”。

图 6 W-6000 插槽配置



- 配置选项还取决于每个模块的功率要求。有关完整详细信息，请参阅第 8 页上的“电源管理”。

安装



小心：许多维修应仅由已认证的服务技术人员进行。您应仅执行故障排除和简单维修，如在您的产品文件中所授权的，或者如网上或电话服务与支持团队所指导的。您的保修不涉及因进行 Dell 未授权的维修而导致的损坏。请阅读并遵守本产品附带的安全说明。

安装前要求

安装 W-6000M3 模块需要使用以下工具和设备。

- 预装的 Dell PowerConnect W-6000 控制器机箱（另售）
- 防 ESD 腕带（未提供）
- 2 号十字螺丝刀（未提供）
- Dell PowerConnect W-6000M3 控制器模块

实体安装

要将 W-6000M3 模块安装到 W-6000 机箱中：

1. 安装 W-6000M3 时使用标准 ESD 防范措施。



注意：由于 Dell W-6000M3 控制器模块是可热交换的，因此可打开或关闭机箱的电源。

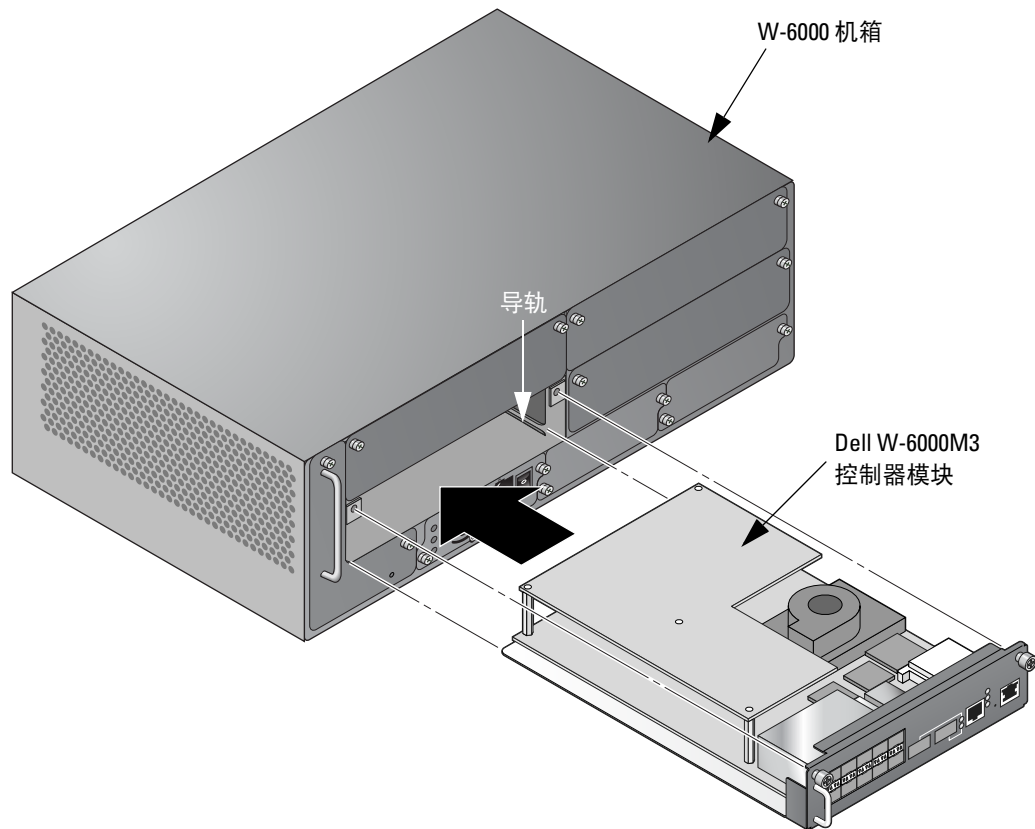
2. 从 W-6000 机箱的相应插槽中卸下空白前面板或拔下现有模块（如果适用）。



注意：Dell 建议将空白前面板盖在 W-6000 中任何未使用的插槽上。为在 W-6000 中实现正确冷却并获得充足的气流，需要使用空白前面板。

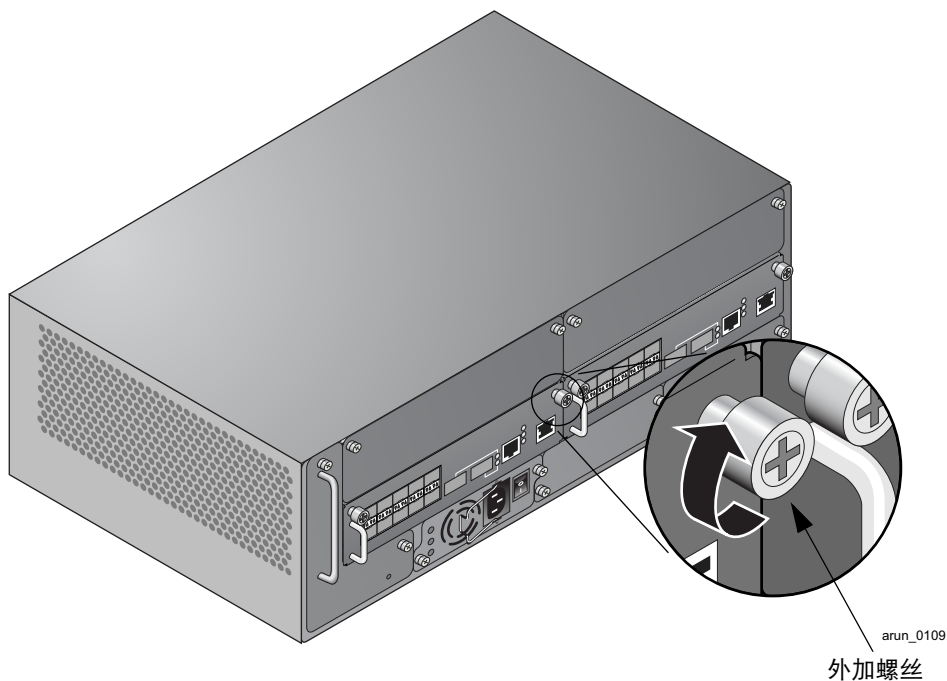
3. 将 W-6000M3 从发运纸箱和 ESD 袋中取出。
4. 使用导轨将 W-6000M3 推入 W-6000 中。必须将 W-6000M3 固定在导轨中才能实现正确安装（参阅图 7）。

图 7 安装 W-6000M3



5. 通过使用 2 号十字螺丝刀拧紧两个外加螺丝，将 W-6000M3 固定到 W-6000（参阅图 8）。顺时针转动外加螺丝，直至用手拧紧它们为止。不要将这些螺丝拧的过紧。

图 8 固定 W-6000M3



初始设置与网络连接

实体安装完成后，在 W-6000M3 上进行初始设置，以配置该模块（指的是控制器，位于 ArubaOS 文件中）的 IP 地址和其他基本系统信息。有关完整的详细信息和说明，请参阅 *Dell PowerConnect ArubaOS 快速入门指南* 中有关您的控制器上所安装软件版本的信息。

拆卸

1. 拆卸 W-6000M3 时使用标准 ESD 防范措施。



注意：由于 Dell W-6000M3 控制器模块是可热交换的，因此可打开或关闭机箱的电源。

2. 逆时针转动外加螺丝，松开这些螺丝并释放 W-6000M3。
3. 拖动 W-6000M3，将其从 W-6000 中取出。
4. 将空白前面板安装在任何未使用的插槽上。



注意：Dell 要求将空白前面板盖在 Dell W-6000 机箱中任何未使用的插槽上。为在 W-6000 中实现正确冷却并获得充足的气流，需要使用空白前面板。

电源管理

W-6000 控制器最多支持三个 400 W 电源。如果使用一至两个主电源来提供 400 至 800 W 的主要电力，可使用一个 400 W 的冗余电源。

为实现最大容量规划，增加您机箱配置中所有模块所需的功率，以确定所需的电源数。

W-6000M3 模块与 PSU 配置表

下表显示了 W-6000M3 模块配置以及冗余电源配置和用电情况。

表 3 电源和模块配置

模块	设备数			
W-6000M3 控制器模块 (每个最大功率为 130 W)	1	2	3	4
总功率 (W)	130	260	390	520
所需的 PSU 数	1	1	1	2
冗余的 PSU 数	1 或 2 个	1 或 2 个	1 或 2 个	1

安全性及合规性



注意：有关其他安全、合规及法规信息，请参见 Dell PowerConnect W-6000 安装指南。要下载最新技术产品文件，包括用户指南、参考指南和安装指南，请访问 support.dell.com/manuals

Dell 提供了一个多语言文档，其中包含所有 Dell 硬件产品的国家特定限制以及其它安全性和合规性信息。可在以下网址查看或下载 Aruba 安全性与合规性附录：dell.com。



小心：使用非本手册中指定的性能或操作步骤的控制或调整可能会导致严重辐射暴露。

本产品符合 21 CFR 第 1 章第 J 节第 1040.10 部分以及 IEC 60825-1: 1993、A1: 1997、A2: 2001、IEC 60825-2: 2000。

要继续遵守以上激光安全标准，应在 Aruba 产品中安装由我们认可的供应商生产的、经过认证的 1 类模块。

This device complies with Part 15 of the FCC Rules. Operation is subject to the following two conditions: (1) this device may not cause harmful interference, and (2) this device must accept any interference received, including interference that may cause undesired operation.

This Class A digital apparatus complies with Canadian ICES-003.
Cet appareil numérique de la classe A est conforme à la norme NMB-003 du Canada.

Apparatet må tilkoples jordet stikkontakt.

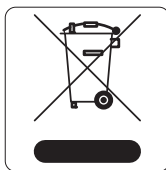
Laite on liitettävä suojamaadoituskoskettimilla varustettuun pistorasiaan.

この装置は、クラス A 情報技術装置です。この装置を家庭環境で使用すると電波妨害を引き起こすことがあります。この場合には使用者が適切な対策を講ずるよう要求されることがあります。 VCCI-A

Dell 设备的正确处置

有关全球环境符合性以及 Dell 产品的最新信息，请访问我们的网站 dell.com。

电气和电子设备垃圾



在欧盟成员国、挪威以及瑞士，当 Dell 产品的生命周期完结时，需要单独收集和处理，因此这些产品标记有左图所示的符号（打叉的有轮垃圾箱）。在上述国家，这些产品的生命周期完结时所接受的处理应遵守实施了 2002/96EC 号电气和电子设备垃圾 (Waste of Electrical and Electronic Equipment, WEEE) 法令的国家适用的国内法律。

欧盟 RoHS



Dell 产品也遵守欧盟的 2002/95/EC 号有害物质限用 (Restriction of Hazardous Substances, RoHS) 法令。欧盟 RoHS 限制在电气和电子设备的生产中使用某些有害物质。具体地讲, RoHS 法令所规定的限用材料为: 铅 (包括印刷电路组件中使用的焊料)、镉、汞、六价铬及溴。某些 Dell 产品符合 RoHS 法令附录 7 中所列的豁免规定 (关于印刷电路组件所用焊料中的铅)。产品和包装上将贴有左图所示的“RoHS”标签, 以表明其符合该法令的要求。

联系 Dell

表 4 网站联系信息

网站支持	
主网站	dell.com
支持网站	support.dell.com
Dell 文档	support.dell.com/manuals

版权

版权所有 2011 Aruba Networks, Inc. AirWave®、Aruba Networks®、Aruba Mobility Management System®、及其它注册商标是 Aruba Networks, Inc. 的商标。Dell™、DELL™ 徽标及 PowerConnect™ 是 Dell Inc. 的商标。

版权所有 保留所有权利。本手册规格如有变动, 恕不通知。

源于美国。本手册中出现的其它商标都是其各自公司的财产。

开放源代码

某些 Aruba 产品包含由第三方开发的开放源软件代码, 包括需要获得 GNU 通用公共许可 (GPL)、GNU 宽通用公共许可 (LGPL) 或其他开放源许可的软件代码。可在以下站点上找到所使用的开放源代码:

http://www.arubanetworks.com/open_source

法律声明

任何个人或公司, 只要其使用 Aruba Networks, Inc. 交换平台和软件来端接其它厂商的 VPN 客户端装置, 即表明该人或公司对此行为承担全部责任, 并会代表这些厂商, 在 Aruba Networks, Inc. 万一遭受任何以及所有与版权侵犯有关的法律诉讼时, 为其承担全部伤害和损失赔偿。



Dell PowerConnect W-6000M3 控制器模組 安裝指南

簡介

Dell PowerConnect W-6000M3 控制器模組是熱抽換控制器模組，用於 Dell W-6000 控制器機箱。W-6000 控制器機箱能夠承載最多四個 W-6000M3 模組，每個模組可設定為主模組或本地控制器模組。每個 W-6000M3 控制器模組能夠支援最多 512 個連接校園的接入點 (AP)。若需要有關相容和配置選項的資訊，請參閱第 5 頁上的「系統配置選項」。

最低軟體需求

W-6000M3 控制器模組需要 ArubaOS 5.0.3 或更新版本。



注意：主控制器、其備援主控制器以及所有本地控制器都必須執行相同版本的 ArubaOS。在將 W-6000M3 控制器模組安裝到升級的網路後，確認 W-6000M3 控制器模組上的軟體版本與網路其餘部分相符。如果伴隨模組運送的程式碼版本比升級後的網路版本早，必須將 W-6000M3 控制器模組上的程式碼升級以符合網路的其餘部分。

包裝核查清單

- Dell PowerConnect W-6000M3 控制器模組
- Dell PowerConnect W-6000M3 控制器模組安裝指南
- Dell PowerConnect 快速入門指南
- 使用者授權合約 (EULA)
- 安全、環境和管制資訊 (SERI) 文件
- 保固和支援資訊 (WSI) 文件



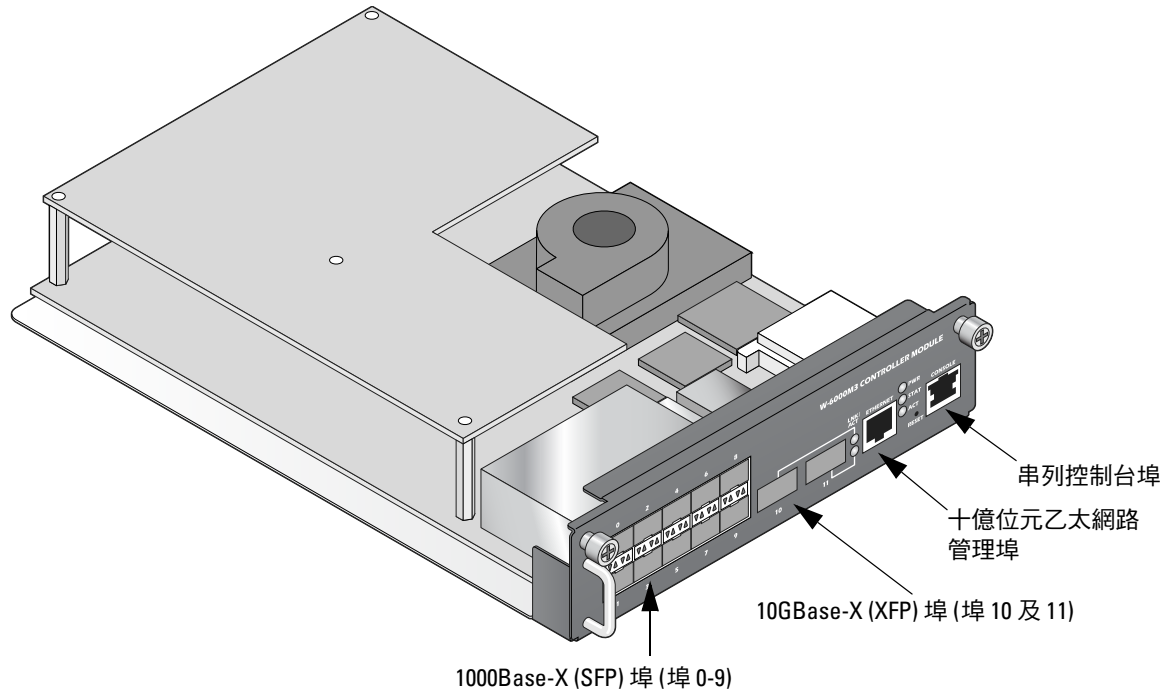
注意：如果發現任何不正確、缺失或損壞的部件，請通知供應商。請儘可能保留包裝箱，包括原始包裝材料。必要時，可以利用這些材料重新包裝裝置，以退回給供應商。



注意：選用配件 (例如 SFP 和 XFP 模組) 可供配合 W-6000M3 使用，但另外銷售。若要了解詳細資訊以及獲得協助，請聯絡您的 Dell 銷售代表。

硬體概觀

圖 1 W-6000M3 控制器模組



埠

1000Base-X (SFP) 埠

W-6000M3 上的埠 0 至 9 是用於光纖或銅線連接的 1000Base-X (SFP) 埠，旨在配合 Dell 認可的 SFP 使用。



注意：Dell 對在其控制器系統內使用的光學產品進行測試並提供支援。協力供應商光學產品未經過測試或得到支援；因此，Dell 不保證協力供應商的光學產品能夠發揮正常功能。有關 Dell 認可 SFP 的進一步詳情，請參閱 *Dell PowerConnect W 系列 SFP 光學模組安裝指南*。

10GBase-X (XFP) 埠

W-6000M3 上的埠 10 和 11 是 10GBase-X 光纖埠，配合 Dell XFP 使用。XFP 是 10 Gb 的熱抽換光學收發機，將串列電氣信號轉換為外部串列光學或電氣信號。



注意：Dell 對在其控制器系統內使用的光學產品進行測試並提供支援。協力供應商光學產品未經過測試或得到支援；因此，Dell 不保證協力供應商的光學產品能夠發揮正常功能。有關 Dell 認可 XFP 的進一步詳情，例如技術規格和安裝說明，請參閱 *Dell PowerConnect W 系列 XFP 光學模組安裝指南*。

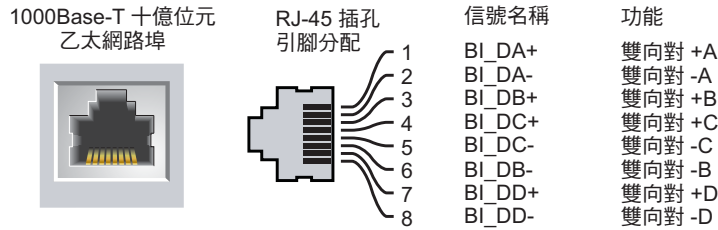
十億位元乙太網路管理埠

此埠是 10/100/1000Base-T 十億位元乙太網路 (RJ-45) 埠。十億位元乙太網路使用所有八條芯線，每一對芯線都以雙向方式使用，也就是說，同一芯線對既用於資料傳輸，又用於資料接收。此埠同時支援自動 MDIX，允許直通纜線的跳接使用。圖 2 圖解說明了 RJ-45 連接器上的 CAT-5 引腳分配。CAT-5 引腳分配將 10/100/1000Base-T 十億位元乙太網路埠上的以下引腳組對：1/2、3/6、4/5 和 7/8。



注意：此埠上的乙太網路流量在帶外；此埠與標準交換與路由功能分開，無法用作網路資料埠。

圖 2 十億位元乙太網路埠引腳分配



串列控制台埠

提供了一個串列控制台埠，用於與終端相連，以實現直接本地管理。該埠的 RJ-45 插孔連接器接受帶有插頭連接器的 RS-232 串列纜線。

圖 3 串列控制台埠引腳分配

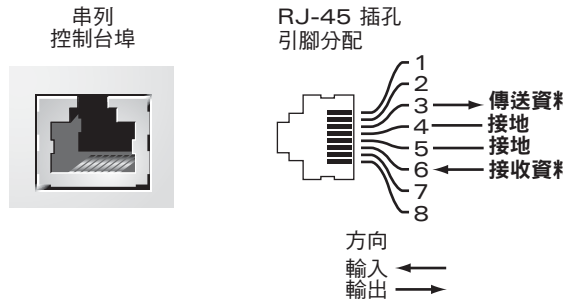


表 1 中列有串列控制台埠的通訊設定。

表 1 串列連接需求

串列傳輸速率	資料位元	奇偶驗證	停止位元	流量控制
9600	8	無	1	無

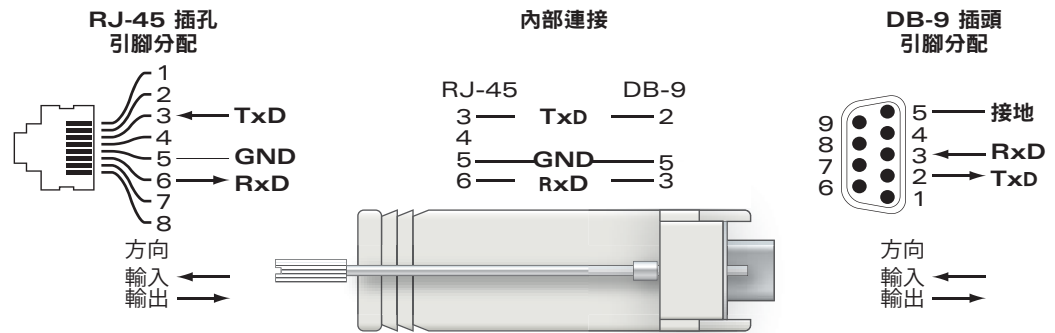


小心：切勿將接入點 (AP) 連接到串列控制台埠。串列控制台埠只與 RS-232 裝置相容。非 RS-232 裝置 (如 AP) 不受到支援，將導致控制器發生故障。

串列控制台埠配接器

可以使用模組化配接器將 RJ-45（插孔）連接器轉換為 DB9（插頭）連接器。詳情請參閱圖 4

圖 4 RJ-45（插孔）轉 DB-9（插頭）模組化配接器轉換



LED 狀態指示燈

表 2 說明 W-6000M3 LED 指示燈 (圖 5 所示) 及其功能。

圖 5 W-6000M3 前面板及 LED 指示燈

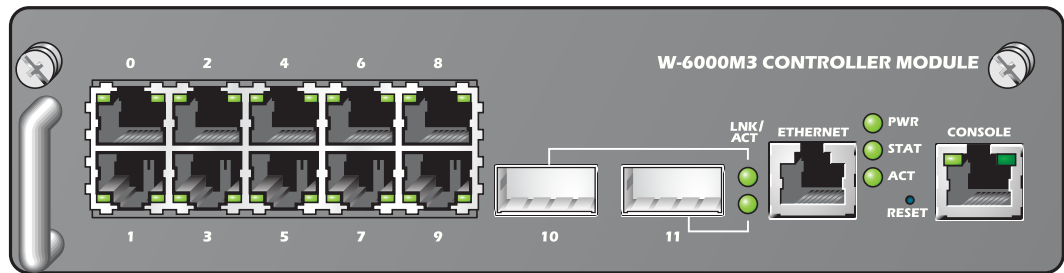


表 2 W-6000M3 LED 行為

LED	功能	指示燈	狀態
PWR	輸入電源狀態	開 (綠燈)	通電
		關	不通電
STAT	模組狀態指示燈	開 (綠燈)	裝置操作中
		開 (琥珀燈)	裝置正在開機
		開 (紅燈)	裝置出現故障
		關	裝置正載入軟體或無電源
ACT	模組模式指示燈	開 (綠燈)	裝置處於有效模式
		開 (黃燈)	裝置處於備用模式
		關	裝置未決定操作狀態或無電源
LNK/ACT	連結狀態指示燈	開 (綠燈恆亮)	連結已建立
		開 (綠燈閃爍)	埠正在傳輸或接收資料
		關	埠上無連結

系統配置選項

系統配置需求

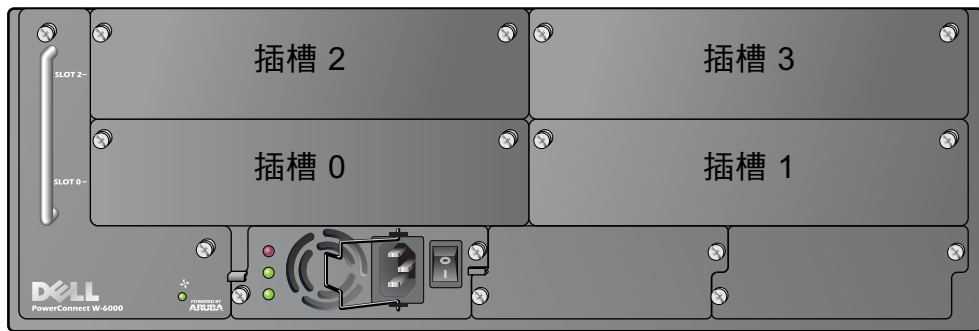
在 Dell PowerConnect W-6000 內執行 W-6000M3 控制器模組時，必須符合下列需求：

- 第一個 W-6000M3 控制器模組必須安裝在 W-6000 機箱的插槽 0 或插槽 1 中。如果插槽 0 或插槽 1 中沒有 W-6000M3，插槽 2 或插槽 3 中的 W-6000M3 模組將不會啟動。有關 Dell W-6000 機箱內的插槽識別碼和位置，請參閱圖 6。

插槽 0 或插槽 1 必須在插槽 2 或插槽 3 之前填充，因為以下插槽之間會進行背板通訊：

- 插槽 0 與插槽 2 和/或插槽 3 通訊
- 插槽 1 與插槽 2 和/或插槽 3 通訊
- W-6000M3 模組被設計成只可安裝在使用 400 W 電源供應模組的 W-6000 機箱內。有關完整的詳細資訊，請參閱第 8 頁上的「電源管理」。
- 在安裝 W-6000M3 之前，必須符合最低的軟體需求。有關完整的詳細資訊，請參閱第 1 頁上的「最低軟體需求」。

圖 6 W-6000 插槽配置



- 配置選項也視每個模組的電源需求而定。有關完整的詳細資訊，請參閱第 8 頁上的「電源管理」。

安裝



小心：許多修理工作只可由持有執照的維修技師執行。您應只根據產品文件所授權，或按照維修和支援團隊透過線上或電話所提供的指示，進行疑難排解和簡單修理工作。保固不涵蓋未經 Dell 授權的維修所造成的損壞。請閱讀並遵循伴隨產品的安全說明。

安裝前需求

安裝 W-6000M3 模組需要使用以下工具和設備：

- 預先安裝的 Dell PowerConnect W-6000 控制器機箱 (另售)
- ESD 防護腕帶 (未附帶)
- 2 號十字螺絲起子 (未附帶)
- Dell PowerConnect W-6000M3 控制器模組

實體安裝

若要將 W-6000M3 模組安裝在 W-6000 機箱內：

1. 安裝 W-6000M3 時，採取標準的 ESD 預防措施。



注意：由於 Dell W-6000M3 控制器模組能夠熱抽換，機箱的電源可以處於「開」或「關」。

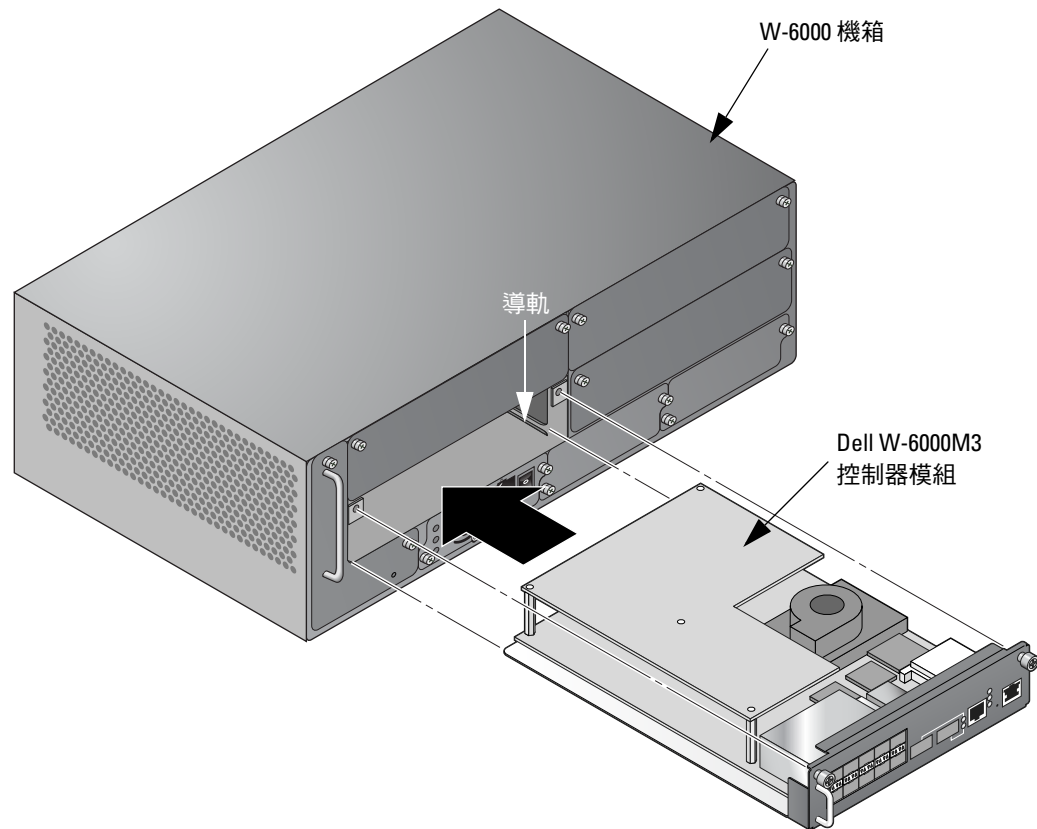
2. 除下 W-6000 機箱內相關插槽中的封口前面板或現有模組 (如果適用)。



注意：Dell 建議以封口前面板蓋上 W-6000 內的任何未用插槽。必須有封口前面板，W-6000 內才能夠有足夠的氣流而得到適當的冷卻。

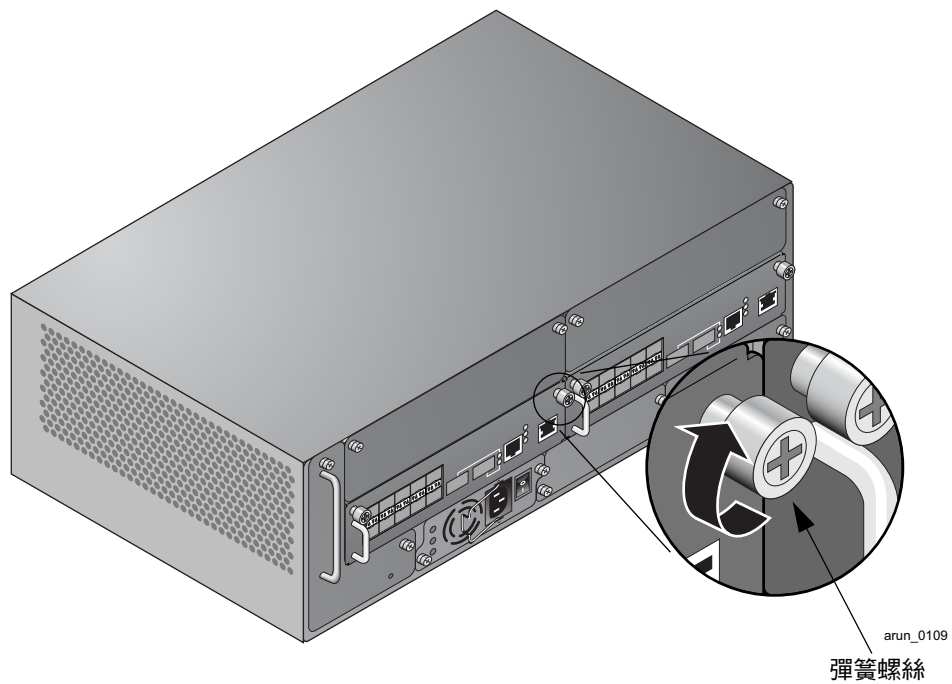
3. 從運送箱和 ESD 袋中取出 W-6000M3 模組。
4. 使用導軌將 W-6000M3 滑入 W-6000。W-6000M3 必須放置在導軌內，才能正確安裝 (參閱圖 7)。

圖 7 安裝 W-6000M3



5. 使用 2 號十字螺絲起子擰緊兩顆彈簧螺絲，將 W-6000M3 固定在 W-6000 上 (參閱圖 8)。順時針方向轉動彈簧螺絲，直至擰緊到手力能及的極限。切勿將螺絲擰得太緊。

圖 8 固定 W-6000M3



初始設定與網路連接

實體安裝完畢後，在 W-6000M3 上執行初步安裝，設定模組的 IP 位址 (ArubaOS 文件中稱為控制器) 及其他基本系統資訊。有關完整的詳細資訊和說明，請參閱 *Dell PowerConnect ArubaOS 快速入門指南* 中有關控制器上所安裝軟體版本的資訊。

拆卸

1. 移除 W-6000M3 時，採用標準 ESD 預防措施。



注意：由於 Dell W-6000M3 控制器模組能夠熱抽換，機箱的電源可以是「開」或「關」。

2. 逆時針方向轉動彈簧螺絲，以鬆開螺絲並釋放 W-6000M3。
3. 滑動並將 W-6000M3 從 W-6000 中取出。
4. 用封口前面板蓋上未用的插槽。



注意：Dell 需要以封口前面板蓋上 Dell W-6000 機箱中未用的插槽。必須有封口前面板，W-6000 內才能夠有足夠的氣流而得到適當的冷卻。

電源管理

W-6000 控制器最多支援三個 400 W 電源供應模組。如果使用一至兩個主要電源供應模組作 400 至 800 W 的主要電源，就有可能使用 400 W 備援電源供應模組。

為了規劃最大容量，新增機箱配置中所有模組需要的最大功耗，以確定所需電源供應模組數目。

W-6000M3 模組與 PSU 配置表

下表顯示 W-6000M3 模組配置以及相應的電源供應配置和電源使用量。

表 3 電力供應模組與模組配置

模組	單元數目			
W-6000M3 控制器模組 (每個模組的最大功耗為 130 W)	1	2	3	4
總功率 (W)	130	260	390	520
必要 PSU 數目	1	1	1	2
備援 PSU 數目	1 或 2 台	1 或 2 台	1 或 2 台	1

安全性及管制規範



注意：若需有關安全性、規範和管制的其他資訊，請參閱《Dell PowerConnect W-6000 安裝指南》。如要下載最新版的技術產品文件，包括使用者指南、參考指南和安裝指南，請瀏覽 support.dell.com/manuals。

Dell 提供了一份多語言文件，其中包含所有 Dell 硬體產品的國家特定限制以及其他安全性和管制資訊。您可從以下位置檢視或下載 *Aruba 安全性與管制附錄*：dell.com。



小心：如果採用本手冊中規定以外的效能或程序控制或調整，可能會導致危險的輻射暴露。

本產品符合 21 CFR 第 1 章第 J 分章第 1040.10 部分，以及 IEC 60825-1: 1993、A1: 1997、A2: 2001、IEC 60825-2: 2000。

為了繼續符合上述雷射安全標準，應只在 Aruba 產品中安裝我們認可的供應商所生產的經認證 1 級模組。

This device complies with Part 15 of the FCC Rules. Operation is subject to the following two conditions: (1) this device may not cause harmful interference, and (2) this device must accept any interference received, including interference that may cause undesired operation.

This Class A digital apparatus complies with Canadian ICES-003.
Cet appareil numérique de la classe A est conforme à la norme NMB-003 du Canada.

Apparatet må tilkoples jordet stikkontakt.

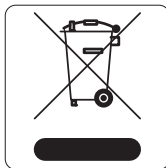
Laite on liitettävä suojamaadoituskoskettimilla varustettuun pistorasiaan.

この装置は、クラス A 情報技術装置です。この装置を家庭環境で使用すると電波妨害を引き起こすことがあります。この場合には使用者が適切な対策を講ずるよう要求されることがあります。 VCCI-A

Dell 設備的正確處置

若需有關全球環境規範以及 Dell 產品的最新資訊，請瀏覽我們的網站 www.dell.com。

電器及電子設備廢料



在歐盟成員國、挪威和瑞士，報廢的 Dell 產品應單獨收集和處理，因此標記有左方所示的符號（劃掉的輪式垃圾箱）。在這些國家中，報廢產品的處理應遵守實施有關電器及電子設備廢料 (WEEE) 的 2002/96EC 指令之國家中適用的國家法律。

歐盟 RoHS



Dell 產品也遵守歐盟的第 2002/95/EC 號危害物質限用 (Restriction of Hazardous Substances, RoHS) 指令。歐盟 RoHS 限制在電氣和電子設備的生產中使用某些有害物質。具體地講，RoHS 指令所規定的限用材料為：鉛（包括印刷電路元件中使用的焊料）、鎘、汞、六價鉻及溴。某些 Dell 產品符合 RoHS 指令附錄 7 中所列的豁免規定（關於印刷電路組件所用焊料中的鉛）。產品和包裝上將附有左方所示的「RoHS」標籤，以表明其符合該指令的要求。

聯絡 Dell

表 4 網站聯絡資訊

網站支援	
主網站	dell.com
支援網站	support.dell.com
Dell 文件	support.dell.com/manuals

版權

© 2011 Aruba Networks, Inc. AirWave®、Aruba Networks®、Aruba Mobility Management System® 及其他註冊商標是 Aruba Networks, Inc. 的商標。Dell™、DELL™ 商標及 PowerConnect™ 是 Dell Inc. 的商標。

保留所有權利。本手冊中的規格如有改變，恕不通知。

於美國編寫。本手冊中出現的其他商標都是其各自公司的財產。

開放原始碼

某些 Aruba 產品包含由協力供應商開發的開放源軟體代碼，其中包括須遵照 GNU 通用公共許可證 (General Public License, GPL)、GNU 寬通用公共許可證 (Lesser General Public License, LGPL) 或其他開放源許可證規定使用的軟體代碼。可在以下網站上找到所使用的開放原始碼：

http://www.arubanetworks.com/open_source

法律聲明

任何個人或公司，只要其使用 Aruba Networks, Inc. 交換平台和軟體來端接其他供應商的 VPN 用戶端裝置，即表明該人或公司對此行為承擔全部責任，並會代表這些供應商，在 Aruba Networks, Inc. 萬一遭受任何以及所有與版權侵犯有關的法律訴訟時，為其承擔全部傷害和損失賠償。



Panduan Instalasi Modul Kontroler W-6000M3 PowerConnect Dell

Pendahuluan

Modul Kontroler W-6000M3 PowerConnect Dell merupakan Modul Kontroler yang dapat diganti saat alat hidup untuk digunakan di sistem sasis Kontroler W-6000 Dell. Sasis Kontroler W-6000 mampu menampung hingga empat modul W-6000M3, masing-masing dapat dikonfigurasi sebagai kontroler induk atau lokal. Setiap Modul Kontroler W-6000M3 mampu mendukung hingga 512 Titik Akses yang terhubung ke kampus. Untuk kompatibilitas dan opsi konfigurasi, rujuk “[Opsi Konfigurasi](#)” di [halaman 5](#).

Persyaratan Perangkat Lunak Minimum

Modul Kontroler W-6000M3 memerlukan ArubaOS 5.0.3 atau lebih baru.



CATATAN: kontroler induk, kontroler induk redundannya, dan semua kontroler lokalnya harus dijalankan pada versi ArubaOS yang sama. Setelah Anda mengupgrade jaringan Anda dan memasang Kontroler W-6000M3 pada jaringan itu, periksalah bahwa versi perangkat lunak pada Modul Kontroler W-6000M3 sama dengan bagian lain jaringan. Jika kode yang menyertai modul lebih tua daripada versi jaringan setelah diupgrade, Anda harus mengupgrade kode pada Modul Kontroler W-6000M3 agar sama dengan bagian lain jaringan.

Daftar Periksa Isi Kemasan

- Modul Kontroler W-6000M3 PowerConnect Dell
- Panduan Instalasi Modul Kontroler W-6000M3 PowerConnect Dell
- Panduan Mulai Cepat PowerConnect Dell
- Kesepakatan Lisensi Pengguna Akhir (EULA)
- Dokumen Keselamatan, Lingkungan, dan Peraturan (SERI)
- Dokumen Informasi Dukungan dan Garansi (WSI)



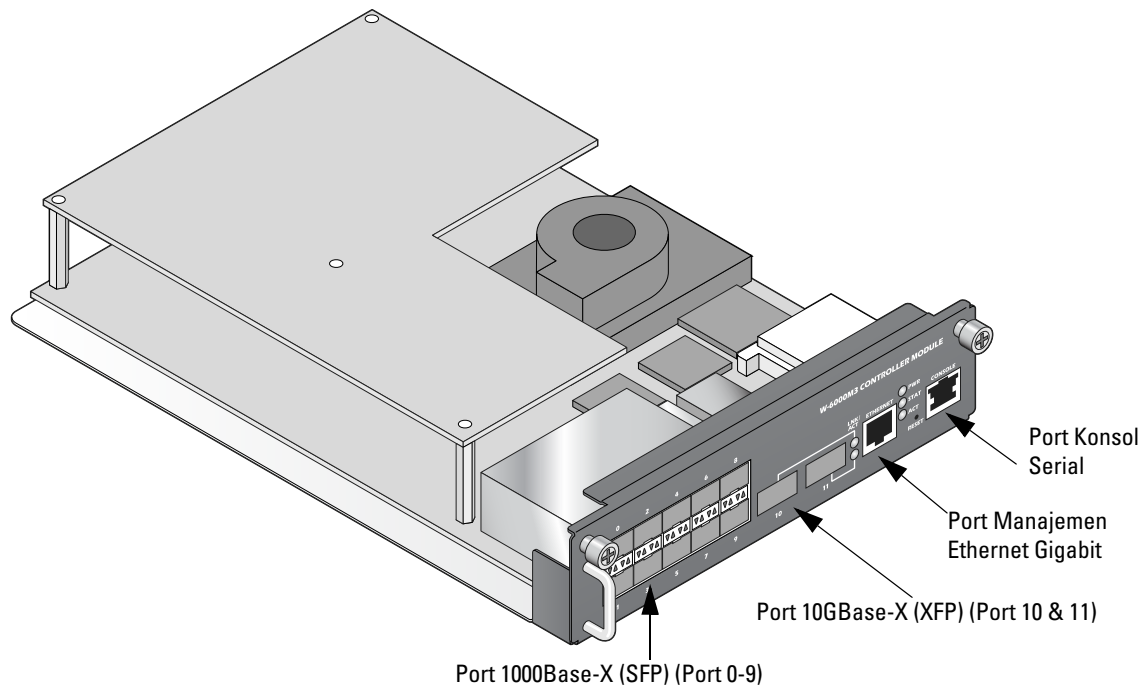
CATATAN: Beri tahu pemasok jika ada komponen yang salah, tidak ada, atau rusak. Jika mungkin, simpan kardusnya, termasuk bahan kemasan aslinya. Gunakan benda-benda ini untuk mengemas ulang dan mengembalikan unit kepada pemasok jika perlu.



CATATAN: Aksesori pilihan, seperti modul SFP dan XFP, tersedia untuk digunakan bersama W-6000M3 dan dijual terpisah. Hubungi wiraniaga Dell untuk mendapatkan perincian dan bantuan.

Ikhtisar Perangkat Keras

Gambar 1 Modul Kontroler W-6000M3



Port

Port 1000Base-X (SFP)

Port 0 sampai 9 di W-6000M3 adalah port 1000Base-X (SFP) untuk konektivitas serat atau tembaga dan ditujukan untuk digunakan di SFP resmi Dell.



CATATAN: Dell menguji dan mendukung optik Dell dalam sistem kontrolernya. Optik pihak ketiga tidak diuji atau didukung; maka Dell tidak menjamin optik pihak ketiga akan berfungsi dengan benar. Untuk perincian lebih jauh mengenai SFP resmi Dell, rujuk *Panduan Instalasi Modul Optik SFP Seri-W PowerConnect Dell*.

Port 10GBase-X (XFP)

Port 10 dan 11 di W-6000M3 adalah port optik serat 10GBase-X untuk digunakan di XFP Dell. XFP merupakan transiver optik 10 Gbit yang dapat diganti saat alat hidup, yang mengubah sinyal listrik serial menjadi sinyal listrik atau optik serial eksternal.



CATATAN: Dell menguji dan mendukung optik Dell dalam sistem kontrolernya. Optik pihak ketiga tidak diuji atau didukung; maka Dell tidak menjamin optik pihak ketiga akan berfungsi dengan benar. Untuk perincian lebih jauh mengenai XFP resmi Dell, seperti spesifikasi teknis dan petunjuk instalasi rujuk *Panduan Instalasi Modul Optik XFP Seri-W PowerConnect Dell*.

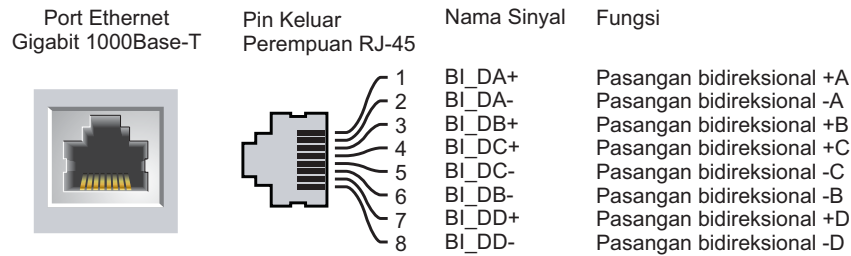
Port Manajemen Ethernet Gigabit

Port ini port (RJ-45) Ethernet Gigabit 10/100/1000Base-T. Ethernet Gigabit menggunakan kedelapan kawat, dan setiap pasangan digunakan secara dua arah, yang berarti pasangan yang sama digunakan baik untuk pengiriman maupun penerimaan data. Port ini juga mendukung Auto MDIX, sehingga bisa menyilangkan kabel langsung. [Gambar 2](#) menunjukkan pin keluar KAT-5 yang terdapat pada konektor RJ-45. Pin keluar KAT-5 menyandingkan pin berikut ini pada port Ethernet Gigabit 10/100/1000Base-T: 1/2, 3/6, 4/5, dan 7/8.



CATATAN: Lalu lintas ethernet di port ini di-luar-pita; port ini terpisah dari fungsi switch dan route reguler, dan tidak dapat digunakan sebagai port data jaringan.

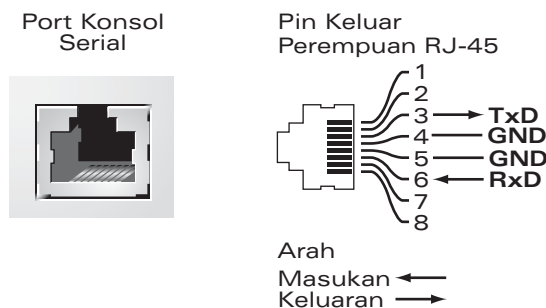
Gambar 2 Pin Keluar Port Ethernet Gigabit



Port Konsol Serial

Sebuah port konsol serial disediakan untuk koneksi ke terminal, yang memungkinkan pengelolaan lokal secara langsung. Konektor perempuan RJ-45 port menerima kabel serial RS-232 dengan konektor laki-laki.

Gambar 3 Pin Keluar Port Konsol Serial



Setelan komunikasi untuk port konsol serial diuraikan di [Tabel 1](#).

Tabel 1 Persyaratan Koneksi Serial

Laju Baud	Bit Data	Paritas	Bit Stop	Kendali Aliran
9600	8	Tak ada	1	Tak ada

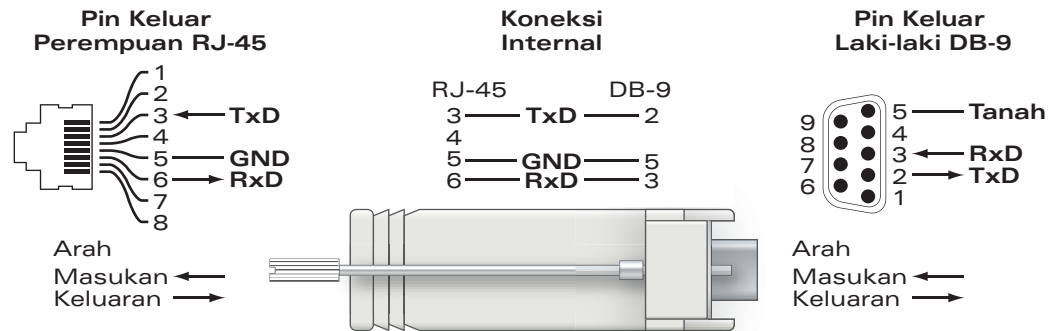


HATI-HATI: Jangan hubungkan Titik Akses ke port konsol serial. Port konsol serial hanya kompatibel dengan perangkat RS-232. Perangkat non-RS-232, seperti Titik Akses, tidak didukung dan akan menyebabkan kontroler tidak berfungsi.

Adaptor Port Konsol Serial

Adaptor modular dapat digunakan untuk mengonversi konektor (perempuan) RJ-45 menjadi konektor (laki-laki) DB9. Rujuklah [Gambar 4](#) untuk melihat perincian lengkap

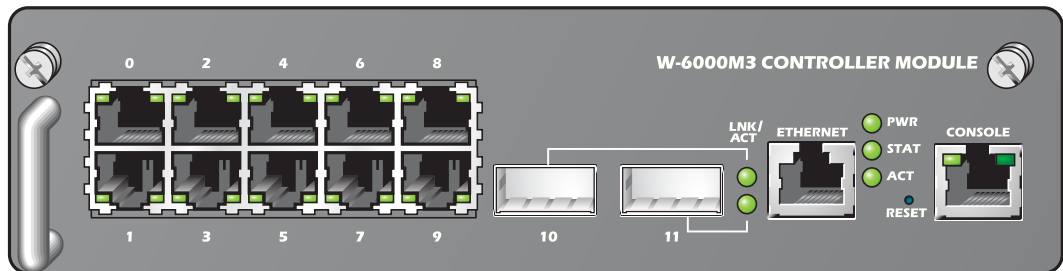
Gambar 4 Konversi Adaptor Modular RJ-45 (perempuan) ke DB9 (laki-laki)



Indikator Status LED

[Tabel 2](#) menjabarkan LED W-6000M3 (terlihat di [Gambar 5](#)) serta fungsinya.

Gambar 5 LED dan Panel Depan W-6000M3



Tabel 2 Keterangan LED W-6000M3

LED	Fungsi	Indikator	Status
PWR (Daya)	Status Daya Masukan	Hidup (Hijau)	Daya hidup
		Mati	Tak ada daya
STAT	Indikator Status Modul	Hidup (Hijau)	Perangkat dapat beroperasi
		Hidup (Kuning)	Perangkat sedang but
		Hidup (Merah)	Perangkat gagal
		Mati	Perangkat sedang memuat perangkat lunak atau tidak ada daya
ACT	Indikator Modus Modul	Hidup (Hijau)	Perangkat dalam modus aktif
		Hidup (Kuning)	Perangkat dalam modus siaga
		Mati	Perangkat belum menentukan status operasi atau tidak ada daya
LNK/ACT	Indikator Status Sambungan	Hidup (Hijau Terus)	Sambungan telah terjadi
		Hidup (Hijau Berkedip)	Port sedang mengirim atau menerima data
		Mati	Tak ada sambungan di port

Opsi Konfigurasi

Persyaratan Konfigurasi

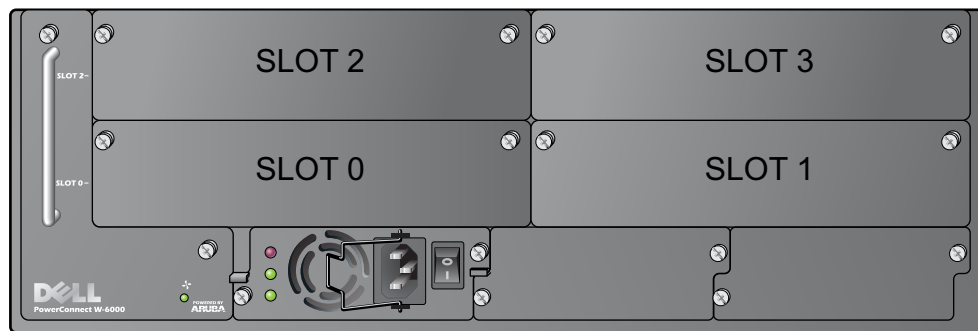
Persyaratan berikut harus dipenuhi saat menjalankan Modul Kontroler W-6000M3 di W-6000 PowerConnect Dell:

- Modul Kontroler W-6000M3 pertama harus dipasang di Slot 0 atau Slot 1 sasis W-6000. Modul W-6000M3 di Slot 2 atau Slot 3 tidak akan melakukan but jika tidak ada W-6000M3 di Slot 0 atau Slot 1. Rujuk [Gambar 6](#) mengenai lokasi dan ID Slot di sasis W-6000 Dell.

Slot 0 atau Slot 1 harus diisi sebelum Slot 2 atau Slot 3 karena komunikasi di bidang belakang terjadi antara slot berikut:

- Slot 0 berhubungan dengan Slot 2 dan/atau Slot 3
- Slot 1 berhubungan dengan Slot 2 dan/atau Slot 3
- Modul W-6000M3 dirancang untuk dipasang dalam sasis W-6000 yang menggunakan catu daya 400 W saja. Rujuklah “[Manajemen Daya](#)” di [halaman 8](#) untuk melihat perincian lengkap.
- Persyaratan perangkat lunak minimum harus dipenuhi sebelum memasang W-6000M3. Rujuklah “[Persyaratan Perangkat Lunak Minimum](#)” di [halaman 1](#) untuk melihat perincian lengkap.

Gambar 6 Konfigurasi Slot W-6000



- Opsi konfigurasi juga tergantung pada keperluan daya setiap modul. Rujuklah “[Manajemen Daya](#)” di [halaman 8](#) untuk melihat perincian lengkap.

Pemasangan



HATI-HATI: Banyak perbaikan yang hanya boleh dilakukan oleh teknisi servis tersertifikasi. Anda hanya boleh melakukan pemecahan masalah dan perbaikan sederhana yang diizinkan dalam dokumentasi produk, atau yang dipandu oleh layanan online atau telepon, serta tim dukungan. Kerusakan akibat servis yang tidak diizinkan Dell tidak termasuk dalam jaminan. Baca dan ikuti petunjuk keselamatan yang menyertai produk.

Persyaratan Pra-Instalasi

Alat dan peralatan berikut ini diperlukan untuk pemasangan modul W-6000M3:

- Sasis Kontroler W-6000 PowerConnect Dell yang belum terpasang (dijual terpisah)
- Gelang pencegahan pengosongan elektrostatik (tidak disediakan)
- Obeng Phillips #2 (tidak disediakan)
- Modul Kontroler W-6000M3 PowerConnect Dell

Pemasangan Fisik

Untuk memasang modul W-6000M3 ke sasis W-6000:

1. Gunakan tindakan pencegahan pengosongan elektrostatik standar saat memasang W-6000M3.



CATATAN: Karena Modul Kontroler W-6000M3 Dell dapat diganti saat alat hidup, daya ke sasis dapat HIDUP atau MATI.

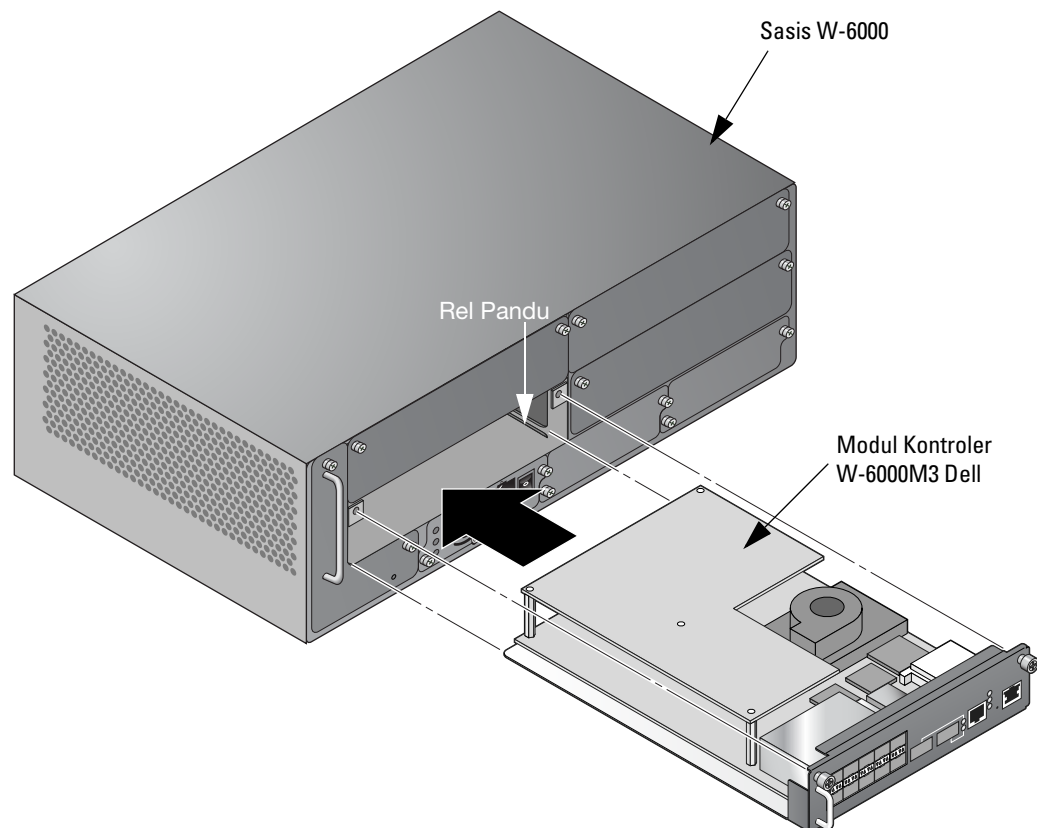
2. Lepas panel depan polos atau modul yang ada dari slot yang dikehendaki di sasis W-6000 (jika berlaku).



CATATAN: Dell menyarankan menggunakan panel depan polos di slot yang tidak digunakan di W-6000. Panel depan polos perlu bagi aliran udara dan pendinginan yang baik dalam W-6000.

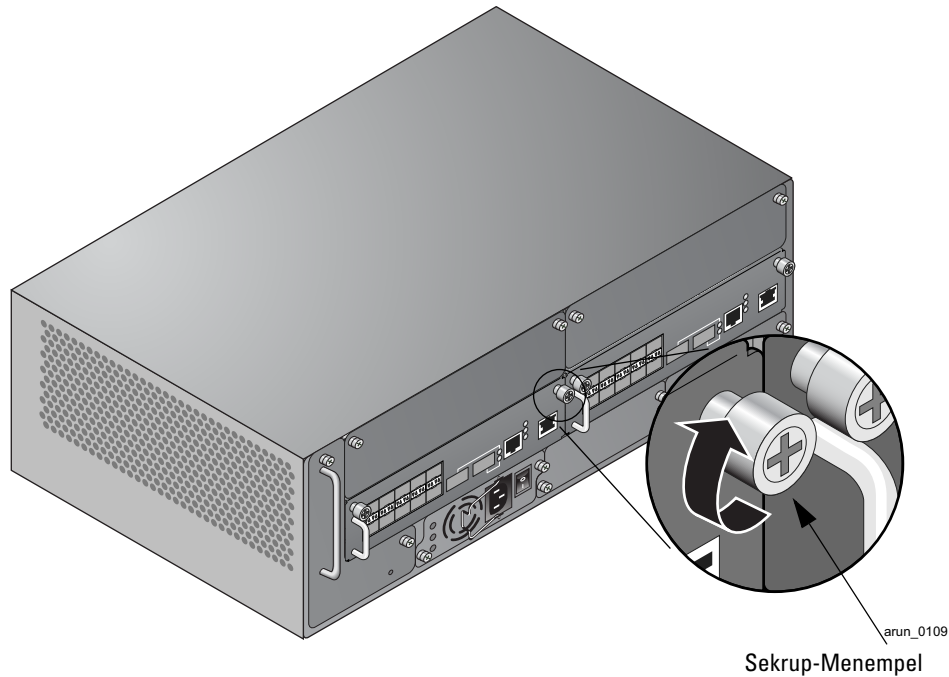
3. Keluarkan modul W-6000M3 dari kotak pengiriman dan bungkus antielektrostatik.
4. Masukkan W-6000M3 ke dalam W-6000 menggunakan rel pandu. W-6000M3 harus terletak di atas rel pandu agar terpasang dengan benar (lihat [Gambar 7](#)).

Gambar 7 Memasang W-6000M3



5. Kencangkan W-6000M3 ke W-6000 dengan mengencangkan dua sekrup-menempel menggunakan obeng Phillips #2 (lihat Gambar 8). Putar sekrup-menempel searah jarum jam sampai terasa kencang di tangan. Jangan memutar sekrup terlalu kencang.

Gambar 8 Mengencangkan W-6000M3



Setup Awal dan Konektivitas Jaringan

Setelah pemasangan fisik selesai, jalankan setup awal pada W-6000M3 untuk mengonfigurasi alamat IP modul (disebut sebagai kontroler dalam dokumentasi ArubaOS) dan informasi sistem dasar lain. Untuk perincian dan petunjuk lengkap, rujuklah *Panduan Mulai Cepat ArubaOS PowerConnect Dell* untuk versi perangkat lunak yang dipasang di kontroler.

Pelepasan

1. Gunakan tindakan pencegahan pengosongan elektrostatik standar saat melepas W-6000M3.



CATATAN: Karena Modul Kontroler W-6000M3 Dell dapat diganti saat alat hidup, daya ke sasis dapat HIDUP atau MATI.

2. Putar sekrup-menempel melawan arah jarum jam untuk melonggarkan sekrup dan melepas W-6000M3.
3. Geser lalu lepaskan W-6000M3 dari W-6000.
4. Pasang panel depan polos di slot yang tidak terpakai.



CATATAN: Dell mewajibkan penggunaan panel depan polos di slot yang tidak terpakai di sasis W-6000 Dell. Panel depan polos perlu bagi aliran udara dan pendinginan yang baik dalam W-6000.

Manajemen Daya

Kontroler W-6000 mendukung hingga tiga catu daya 400 W. Jika menggunakan satu hingga dua catu daya untuk daya primer 400 hingga 800 W, penggunaan catu daya redundan 400 W masih dimungkinkan.

Untuk perencanaan kapasitas maksimum, jumlahkan tarikan daya maksimum yang diperlukan semua modul dalam konfigurasi sasis guna menentukan jumlah catu daya yang diperlukan.

Tabel Konfigurasi Catu Daya dan Modul W-6000M3

Tabel berikut menampilkan konfigurasi modul W-6000M3, serta penggunaan daya dan konfigurasi catu daya resultannya.

Tabel 3 Konfigurasi Modul dan Catu Daya

Modul	Jumlah Unit			
Modul Kontroler W-6000M3 (masing-masing menyedot daya maks 130 W)	1	2	3	4
Daya Total (W)	130	260	390	520
Jumlah catu daya yang perlu	1	1	1	2
Jumlah catu daya redundan	1 atau 2	1 atau 2	1 atau 2	1

Kepatuhan Peraturan dan Keselamatan



CATATAN: Untuk informasi keselamatan, kepatuhan, dan peraturan tambahan, baca Panduan Instalasi W-6000 PowerConnect Dell. Untuk mengunduh dokumentasi-teknis-produk terbaru, termasuk Panduan Pengguna, Panduan Rujukan, serta Panduan Instalasi, buka support.dell.com/manuals

Dell menyediakan dokumen multi-bahasa yang mengandung pembatasan yang berbeda tiap negara dan informasi keselamatan dan peraturan tambahan untuk semua produk perangkat keras Dell. *Adendum Peraturan dan Keselamatan Aruba* dapat dilihat atau diunduh dari lokasi berikut: dell.com.



HATI-HATI: Penggunaan kontrol atau penyesuaian kinerja atau prosedur selain yang disebutkan dalam pedoman ini dapat mengakibatkan keterpaparan radiasi berbahaya.

Produk ini mematuhi 21 CFR Bab 1, Subbab J, Bagian 1040.10, dan IEC 60825-1: 1993, A1: 1997, A2: 2001, IEC 60825-2: 2000.

Agar terus patuh kepada standar keselamatan laser di atas, hanya modul Kelas 1 yang disetujui, dari vendor kami yang disetujui, yang sebaiknya diinstal dalam produk Aruba.

This device complies with Part 15 of the FCC Rules. Operation is subject to the following two conditions: (1) this device may not cause harmful interference, and (2) this device must accept any interference received, including interference that may cause undesired operation.

**This Class A digital apparatus complies with Canadian ICES-003.
Cet appareil numérique de la classe A est conforme à la norme NMB-003 du Canada.**

Apparatet må tilkoples jordet stikkontakt.

Laite on liitettävä suojamaadoituskoskettimilla varustettuun pistorasiaan.

この装置は、クラス A 情報技術装置です。この装置を家庭環境で使用すると電波妨害を引き起こすことがあります。この場合には使用者が適切な対策を講ずるよう要求されることがあります。 VCCI-A

Cara Membuang Peralatan Dell yang Benar

Untuk membaca informasi terbaru tentang Kepatuhan Lingkungan Global dan produk Dell, lihat situs web kami di dell.com.

Sampah Peralatan Listrik dan Elektronik



Produk Dell yang telah tidak terpakai harus dibuang dan diolah secara terpisah di Negara Anggota Uni Eropa, Norwegia, dan Swiss dan karena itu ditandai dengan simbol yang tergambar di sebelah kiri (tong sampah disilang). Pengolahan pada akhir masa pakai produk ini di negara-negara tersebut harus mematuhi semua peraturan nasional yang berlaku bagi negara yang menerapkan Arahan 2002/96EC tentang Sampah Peralatan Listrik dan Elektronik (WEEE).

RoHS Uni Eropa



Produk Dell juga mematuhi Arahan tentang Pembatasan Zat Berbahaya Uni Eropa 2002/95/EC (RoHS). RoHS EU membatasi penggunaan bahan berbahaya tertentu dalam pembuatan peralatan listrik dan elektronik. Secara spesifik, bahan yang dibatasi oleh Arahan RoHS adalah Timbel (termasuk Solder yang digunakan dalam perakitan sirkuit cetak), Kadmium, Air Raksa, Kromium Heksavalen, dan Bromin. Sebagian produk Dell termasuk dalam pengecualian yang tercantum dalam Annex 7 Arahan RoHS (Timbel dalam solder yang digunakan dalam perakitan sirkuit cetak). Produk dan kemasan akan ditandai dengan label “RoHS” yang berada di kiri, menandakan kepatuhan pada Arahan ini.

Menghubungi Dell

Tabel 4 Kontak Situs Web

Dukungan Situs Web	
Situs Web Utama	dell.com
Situs Web Dukungan	support.dell.com
Dokumentasi Dell	support.dell.com/manuals

Hak cipta

© 2011 Aruba Networks, Inc. AirWave®, Aruba Networks®, Aruba Mobility Management System®, dan merek terdaftar lainnya adalah merek dagang Aruba Networks, Inc. Dell™, logo DELL™, dan PowerConnect™ adalah merek dagang Dell Inc.

Hak cipta dilindungi undang-undang. Spesifikasi dalam manual ini dapat berubah sewaktu-waktu tanpa pemberitahuan.

Berasal dari AS. Merek dagang lain yang muncul dalam manual ini adalah milik perusahaannya masing-masing.

Kode Sumber Terbuka

Beberapa produk Aruba mengandung kode perangkat lunak Sumber Terbuka yang dikembangkan oleh pihak ketiga, termasuk kode perangkat lunak yang tunduk pada GNU General Public License (GPL), GNU Lesser General Public License (LGPL), atau Lisensi Sumber Terbuka lain. Kode Sumber Terbuka yang digunakan tercantum di situs ini:

http://www.arubanetworks.com/open_source

Pemberitahuan Hukum

Penggunaan perangkat lunak dan platform switch Aruba Networks, Inc, oleh semua individu atau perusahaan, untuk menghentikan perangkat klien VPN milik vendor lain merupakan penerimaan tanggung jawab sepenuhnya oleh individu atau perusahaan tersebut untuk tindakan ini dan melepaskan sepenuhnya tanggung jawab Aruba Networks, Inc. dari setiap dan semua tindakan hukum yang mungkin ditujukan kepadanya yang berkaitan dengan pelanggaran hak cipta atas nama vendor tersebut.

בקר מודול Dell PowerConnect W-6000M3 מדריך התקנה



מבוא

בקר המודול Dell PowerConnect W-6000M3 הוא מודול המיועד להחלפה חמה בקר במארז הבקר Dell W-6000. מארז הבקר W-6000 מסוגל להכיל עד ארבעה מודולי W-6000M3 שכל אחד מהם ניתן להגדיר בתור בקר ראשי או מקומי. כל מודול של W-6000M3 יכול לתמוך לכל היותר ב- 512 נקודות גישה בחיבור קמפוס. לפרטים על תאימות ואפשרויות תצורה, ראה את "אפשרויות תצורה" עמוד 6.

דרישות מערכת מינימליות

ה- W-6000M3 Controller Module מחייב ArubaOS 5.0.3 ואילך.

הערה: הבקר הראשי, הבקר הראשי היתיר שלו, וכל הבקרים המקומיים שלו חייבים לפעול באותה גרסה של ArubaOS. לאחר שתשדרג את הרשת ותתקין את ה- W-6000M3 Controller Module ברשת, ודא שגרסת התוכנה ב- W-6000M3 Controller Module תואמת לחלק הנוטר של הרשת. אם הקוד המשווק במודול קודם לגרסה שאליה שדרגת את הרשת, עליך לשדרג את הקוד ב- W-6000M3 Controller Module כדי להתאים לחלק הנוטר של הרשת.



רשימת בדיקה לאריזה

- Dell PowerConnect W-6000M3 Controller Module
- מדריך התקנה עבור Dell PowerConnect W-6000M3 Controller Module
- Dell PowerConnect Quick Start Guide
- הסכם רישיון למשתמש קצה (EULA)
- מסמך מידע בנושא בטיחות, סביבה ותקינה (SERI)
- מסמך מידע בנושא אחריות ותמיכה (WSI)

הערה: הודע לספק אם קיימים חלקים שגויים, חסרים או פגומים. אם ניתן, שמור על הקרטון, כולל חומרי האריזה המקוריים. השתמש בחומרי האריזה כדי לארוז מחדש את היחידה לספק, אם נדרש.

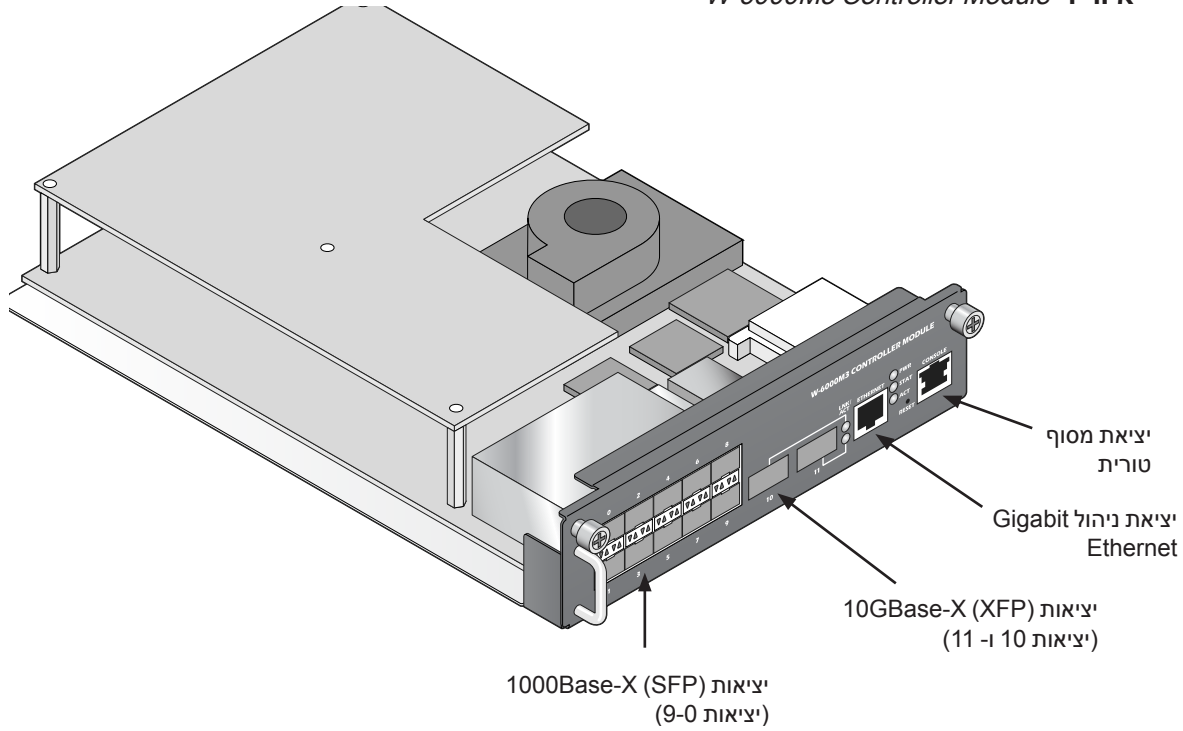


הערה: אביזרים אופציונליים, דוגמת מודול SFP ו- XFP, זמינים לשימוש עם ה- W-6000M3 ונמכרים בנפרד. לפרטים ולסיוע, פנה אל נציג Dell.



סקירה כללית על החומרה

איור 1 W-6000M3 Controller Module



יצאות

יצאות 1000Base-X (SFP)

יצאות 0 עד 9 של ה-W-6000M3 הן יציאות 1000Base-X (SFP) עבור קישוריות סיב או נחושת ומיועדות לשימוש SFPs מאושרים של Dell.

הערה: Dell בודקת ותומכת ב-Dell optics במסגרת מערכות הבקרה שלהם. האופטיות של צד שלישי אינה נבדקת או נתמכת. לפיכך Dell אינה מבטיחה פונקציונליות נאותה של אופטיות צד שלישי. לפרטים נוספים על SFPs מאושרים של Dell, עיין ב-Dell PowerConnect *W-Series SFP Optical Modules Installation Guide*.



יצאות 10GBase-X (XFP)

היצאות 10 ו-11 ב-W-6000M3 הן יציאות סיב אופטי לשימוש עם ה-XFPs של Dell. XFPs הם משדרי/מקלטי 10 Gbit אופטיים המיועדים להחלפה חמה שממירים אותות חשמל טוריים לאותות טוריים אופטיים או חשמליים חיצוניים.

הערה: Dell בודקת ותומכת ב-Dell optics במסגרת מערכות הבקר שלהם. האופטיות של צד שלישי אינה נבדקת או נתמכת. לפיכך Dell אינה מבטיחה פונקציונליות נאותה של אופטיות צד שלישי. לפרטים נוספים על SFPs מאושרים של Dell, עיין ב-Dell PowerConnect *W-Series XFP Optical Modules Installation Guide*.



יצאת ניהול Gigabit Ethernet

זו היא יציאת Gigabit Ethernet (RJ-45) 10/100/1000Base-T. Gigabit Ethernet משתמש בכל שמונה החוטים וכל זוג משמש בצורה דו-כיוונית, כלומר, אותו זוג משמש הן לשידור נתונים והן לקבלה. יציאה זו תומכת גם ב-Auto MDIX, ומאפשרת שימוש בהצלבת כבלים או כבלים ישירים. **איור 2** מדגים את תרשימים הפינים של CAT-5 שנמצא על מחבר RJ-45. תרשימים הפינים ה-CAT-5 מתאים את זוגות הפינים הבאים ביציאת Gigabit Ethernet 10/100/1000Base-T: 1/2, 3/6, 4/5 וכן 7/8.

הערה: תעבורת Ethernet ביציאה זו היא נפרדת (out-of-band); יציאה זו מקוטעת מפונקציות מיתוג וניתוב רגילות ולא ניתן להשתמש בה כיציאת נתונים של הרשת.

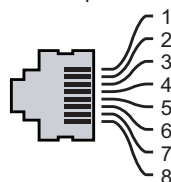


איור 2 תרשימים פינים של יציאת Gigabit Ethernet

יצאות 1000Base-T Gigabit Ethernet



תרשימים פינים RJ-45 נקבה



שם אות

BI_DA+
BI_DA-
BI_DB+
BI_DC+
BI_DC-
BI_DB-
BI_DD+
BI_DD-

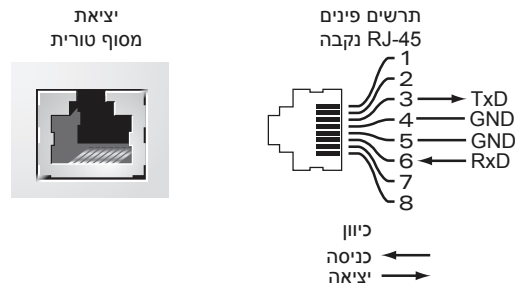
פונקציה

Bi-directional pair +A
Bi-directional pair -A
Bi-directional pair +B
Bi-directional pair +C
Bi-directional pair -C
Bi-directional pair -B
Bi-directional pair +D
Bi-directional pair -D

יציאת מסוף טורית

יציאת מסוף טורית מסופקת לשם חיבור למסוף, ומאפשרת ניהול מקומי ישיר. מחבר נקבה RJ-45 של היציאה מקבל כבל טורי RS-232 עם מחבר זכר.

איור 3 תרשים פינים של יציאת מסוף טורית



הגדרות תקשורת עבור היציאה הטורית מצוינות בטבלה 1.

טבלה 1 דרישות חיבור טורי

קצב שידור	סיביות נתונים	זוגיות	סיביות עצירה	בקרת זרימה
9600	8	ללא	1	ללא

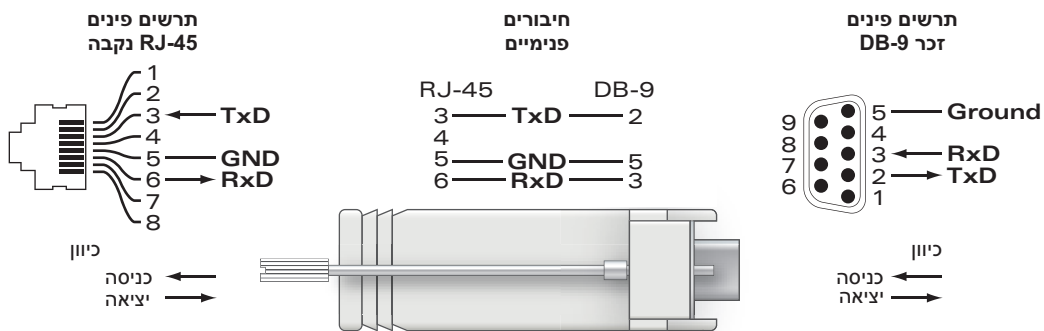
זהירות: אל תחבר נקודת גישה ליציאת מסוף טורית. יציאת המסוף הטורית תואמת להתקני RS-232 בלבד. התקנים שאינם RS-232, דוגמת נקודות גישה, אינם נתמכים ויגרמו כשל בבקר.



מתאם יציאת מסוף טורית

מתאם מודולרי שיכול לשמש להמרת מחבר RJ-45 (נקבה) למחבר DB9 (זכר). לפרטים מלאים ראה את **איור 4**.

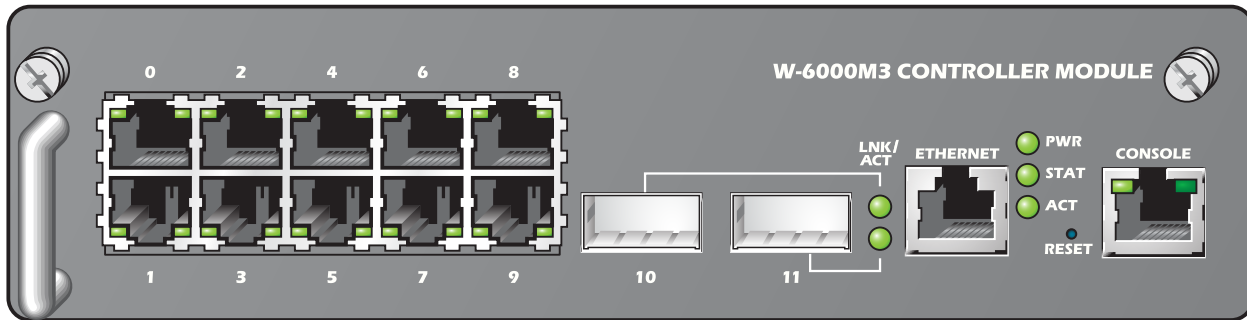
איור 4 מתאם המרה מודולרי (נקבה) אל DB9 (זכר)



מחווני מצב נורית

טבלה 2 מסבירה את נוריות ה- W-6000M3 (מוצגות באיור 5) ואת תפקודן.

איור 5 W-6000M3 - נוריות לוח קדמי



טבלה 2 W-6000M3 - התנהגות נוריות

מצב	מחווון	פונקציה	נורית
מופעל	פועל (ירוק)	מצב כניסת חשמל	PWR
לא מופעל	כבוי		
ההתקן תפעולי	פועל (ירוק)	מחווני מצב מודול	STAT
ההתקן מאתחל	פועל (כתום)		
כשל בהתקן	פועל (אדום)		
ההתקן טוען תוכנה או אין חשמל	כבוי	מחווון מצב מודול	ACT
ההתקן במצב פעיל	פועל (ירוק)		
ההתקן במצב המתנה	פועל (צהוב)		
ההתקן לא קבע מצב תפעולי או אין חשמל	כבוי	מחווון מצב קישור	LNK/ACT
הקישור נוצר	פועל (ירוק יציב)		
היציאה משדרת או מקבלת נתונים	פועל (ירוק מהבהב)		
אין קישור ביציאה	כבוי		

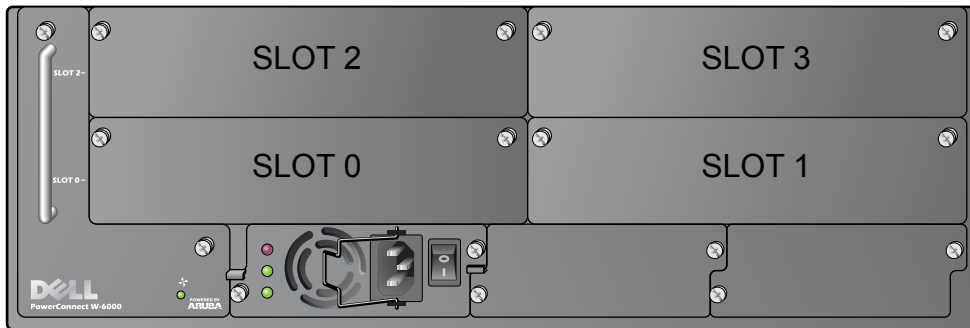
אפשרויות תצורה

דרישות תצורה

יש לפעול לפי הדרישות הבאות בעת הפעלת Dell PowerConnect W-6000M3 Controller Modules בתוך ה-W-6000.

- ה-W-6000M3 Controller Module חייב להיות מותקן בחריץ 0 או בחריץ 1 של מארז ה-W-6000. מודולים של W-6000M3 בחריץ 2 או חריץ 3 לא יאתחלו אם W-6000M3 לא נמצא בחריץ 0 או בחריץ 1. עיין באיור 6 לפרטים על מזהי חריצים ומיקומם במארז של Dell W-6000.
- יש לאכלס את חריץ 0 וחריץ 1 לפני חריץ 2 וחריץ 3 כיוון שתקשורת הלוח האחורי מתבצעת באופן הבא:
 - חריץ 0 יוצר תקשורת עם חריץ 2 ו/או חריץ 3.
 - חריץ 1 יוצר תקשורת עם חריץ 2 ו/או חריץ 3.
- המודול W-6000M3 מתוכנן להתקנה בתוך מארז ה-W-6000 ומשתמש רק בספקי כוח של 400W. לפרטים מלאים ראה את "ניהול צריכת חשמל" עמוד 10.
- יש למלא דרישות תוכנה מינימליות לפני התקנת ה-W-6000M3. לפרטים מלאים ראה את "דרישות מערכת מינימליות" עמוד 1.

איור 6 W-6000 - תצורת חריצים



arun_0118

- אפשרויות התצורה תלויות גם בדרישות החשמל של כל מודול. לפרטים מלאים ראה את "ניהול צריכת חשמל" עמוד 10.

זהירות: תיקונים רבים ניתנים לביצוע רק על-ידי טכנאי שירות מוסמך. עליך לפתור בעיות ולבצע תיקונים פשוטים רק בהתאם להרשאות בתיעוד המוצר, או כפי שמוסבר באמצעות שירות טלפוני מקוון וצוות התמיכה. נזק שנגרם בגלל טיפול שאינו מורשה על-ידי Dell אינו מכוסה באחריות. קרא ובצע את הוראות הבטיחות שמצורפות למוצר.



דרישות קדם התקנה

הכלים והציוד הבאים נדרשים כדי להתקין את המודול W-6000M3:

- מארז Dell PowerConnect W-6000 Controller מותקן מראש (נמכר בנפרד)
- רצועת זרוע למניעת פריקה אלקטרוסטטית (לא מסופקת)
- מברג #2 של פיליפס (לא מסופק)
- Dell PowerConnect W-6000M3 Controller Module(s)

התקנה פיזית

כדי להתקין מודול W-6000M3 בתוך מארז W-6000:

1. השתמש באמצעי זהירות סטנדרטיים למניעת פריקה אלקטרוסטטית בעת התקנת W-6000M3.

הערה: כיוון ש-Dell W-6000M3 Controller Module אינו מיועד להחלפה חמה, מתג ההפעלה של המארז יכול להיות במצב ON או OFF.

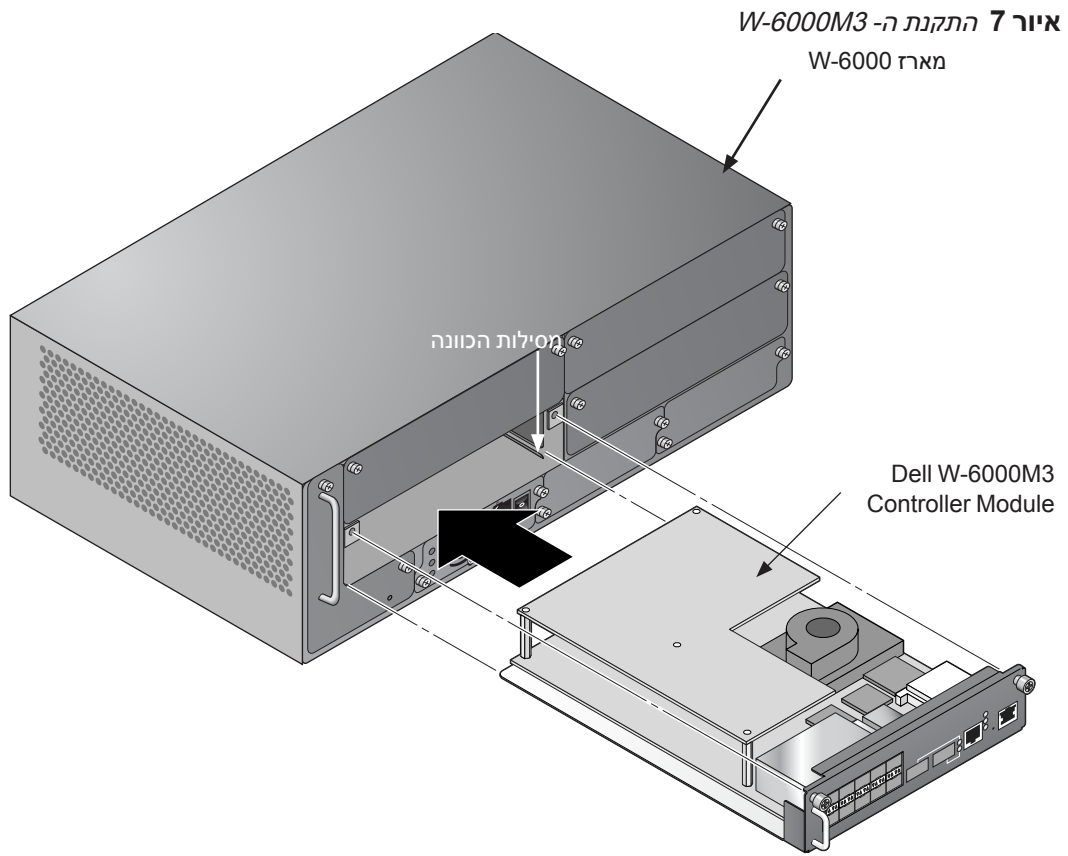


2. הסר את לוחית החזית הריקה או מודול קיים מהחריץ המתאים במארז ה-W-6000 (אם יישים).

הערה: Dell ממליצה על שימוש בלוחית חזית ריקה על כל החריצים שאינם בשימוש ב-W-6000. לוחית החזית הריקה דרושה לשם קירור זרם אוויר נאותים ב-W-6000.

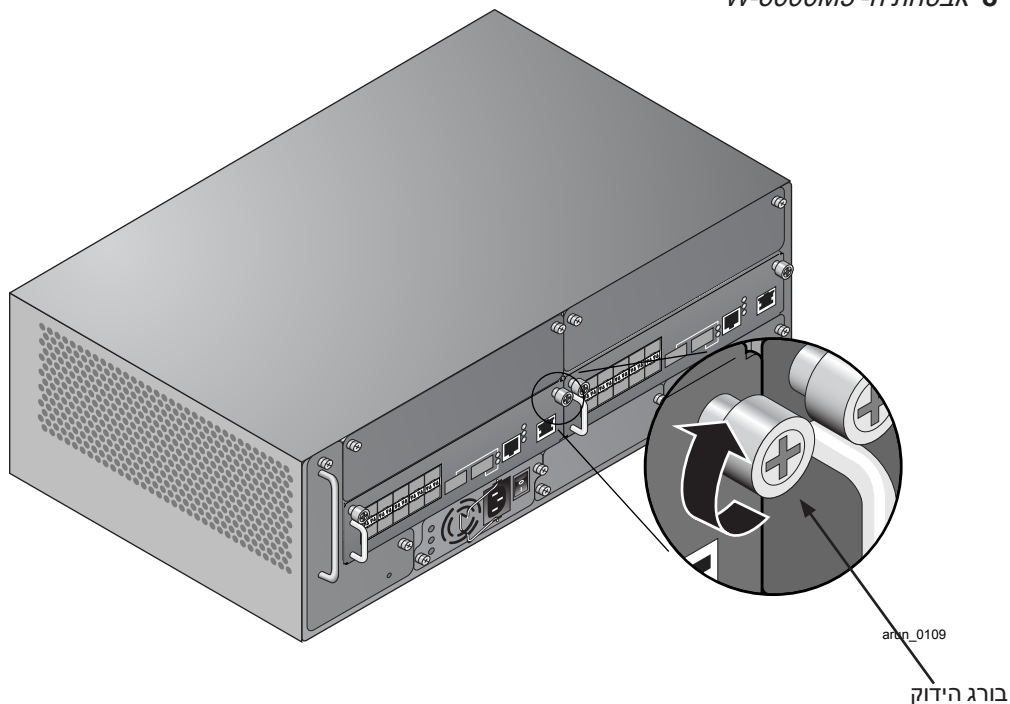


3. הסר את המודול W-6000M3 מאריזת הקרטון ומהאריזה לפריקה אלקטרוסטטית.
4. החלק את ה-W-6000M3 לתוך ה-W-6000 באמצעות מסילות ההכוונה. ה-W-6000M3 חייב להיות ממוקם בין מסילות ההכוונה לשם התקנה נאותה (ראה את [איור 7](#)).



5. אבטח את ה-W-6000M3 ל-W-6000 על-ידי הידוק שני הברגים בעזרת מברג #2 של פיליפס (ראה את איור 8). סובב את הברגים בכיוון השעון עד להידוק ברמת הידוק ידני. אל תהדק את הברגים יותר מדי.

איור 8 אבטחת ה-W-6000M3



הגדרה ראשונית וקישוריות רשת

לאחר השלמת ההתקנה הפיזית, הפעל את ההגדרה הראשונית של ה-W-6000M3 כדי להגדיר את כתובת ה-IP של המודול (שנקרא בקר בתיעוד של ArubaOS) ופרטים בסיסיים אחרים של המערכת. לפרטים מלאים ולהוראות, ראה את Dell PowerConnect ArubaOS Quick Start Guide לגבי כרסת התוכנה שמותקנת בבקר.

הסרה

1. השתמש באמצעי זהירות סטנדרטיים למניעת פריקה אלקטרוסטטית בעת הסרת ה-W-6000M3.

הערה: כיוון ש-Dell W-6000M3 Controller Module אינו מיועד להחלפה חמה, מתג ההפעלה של המארז יכול להיות במצב ON או OFF.

2. סובב את בורגי הידוק נגד כיוון השעון כדי לשחרר את הברגים ולשחרר את ה-W-6000M3.

3. החלק החוצה את ה-W-6000M3 והסר מתוך ה-W-6000.

4. התקן לוחית חזית ריקה על כל חריץ שאינו בשימוש.

הערה: Dell מחייבת שימוש בלוחית חזית ריקה על כל החריצים שאינם בשימוש ב-Dell W-6000. לוחית החזית הריקה דרושה לשם קירור זרם אוויר נאותים ב-W-6000.

ניהול צריכת חשמל

הבקר W-6000 תומך לכל היותר בשלושה ספקי כוח של 400W. אם תשתמש באחד או שני ספקי כוח עבור 400 עד 800W של מתח ראשי, ניתן להשתמש בספק כוח יתיר של 400W.

לתכנון יכולת מקסימלית, חבר את צריכת הזרם המקסימלית שנדרשת עבור כל המודולים בתצורת המארז כדי לקבוע את המספר הנדרש של ספקי חשמל.

W-6000M3 Module וטבלת תצורת ספקי כוח

הטבלה הבאה מציגה את תצורת מודול ה-W-6000M3 ואת תצורת ספקי הכוח שנובעת מכך ושימוש בחשמל.

טבלה 3 ספק כוח ותצורות מודול

מספר יחידות				מודול
4	3	2	1	W-6000M3 Controller Module (צריכת זרם מקסימלית של 130W כל אחד)
520	390	260	130	צריכה כוללת (W)
2	1	1	1	מספר נדרש של יחידות ספק כוח
1	2 או 1	2 או 1	2 או 1	מספר יתיר של יחידות ספק כוח

תאימות לבטיחות ולתקינה

הערה: לפרטים נוספים על בטיחות, תאימות ותקינה, ראה את מדריך ההתקנה של Dell PowerConnect W-6000. כדי להוריד את התיעוד הטכני המעודכן של המוצר, כולל מדריכים למשתמש, מדריכי עזר ומדריכי התקנה, נווט לאתר support.dell.com/manuals



Dell מספקת תיעוד בשפות מרובות המכיל הגבלות ספציפיות לארץ ומידע נוסף על בטיחות ותקינה עבור כל מוצר החומרה של Dell. ניתן להציג או להוריד את המסמך *Aruba Safety and Regulatory Addendum* מהכתובת הבאה: dell.com.



זהירות: שימוש בבקורות או התאמות של ביצועים או הליכים השונים מאלה שמצוינים במדריך זה, עלולים לגרום לחשיפה לקרינה מסוכנת.



מוצר זה תואם ל- CFR Chapter 1, Subchapter J, Part 1040.10, and IEC 60825-1: 1993, A1: 1997, A2: 2001, 21, IEC 60825-2: 2000.

כדי שההתאמה לתקני הלייזר לעיל תישמר, יש להתקין במוצרי Aruba רק מודולים מאושרים מסוג Class 1 מהספקים המורשים שלנו.

This device complies with Part 15 of the FCC Rules. Operation is subject to the following two conditions: (1) this device may not cause harmful interference, and (2) this device must accept any interference received, including interference that may cause undesired operation.

This Class A digital apparatus complies with Canadian ICES-003.
Cet appareil numérique de la classe A est conforme à la norme NMB-003 du Canada.

Apparatet må tilkoples jordet stikkontakt.

Laite on liitettävä suojamaadoituskoskettimilla varustettuun pistorasiaan.

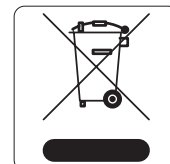
この装置は、クラス A 情報技術装置です。この装置を家庭環境で使用すると電波妨害を引き起こすことがあります。この場合には使用者が適切な対策を講ずるよう要求されることがあります。 VCCI-A

השלכה נאותה של ציוד Dell

למידע המעודכן ביותר על תאימות סביבתית גלובלית ומוצרי Dell, ראה את אתר האינטרנט שלנו בכתובת dell.com.

פסולת של ציוד חשמלי ואלקטרוני

מוצרי Dell בסוף חייהם כפופים לאיסוף ולטיפול נפרדים במדינות החברות באיחוד האירופי, נורבגיה ושווייץ, ולפיכך מסומנים בסמל המוצג משמאל (פח אשפה עם איקס עליו). הטיפול החל בסוף חיי המוצרים האלו במדינות אלה חייב להיות בהתאם לחוקים הארציים שחלים במדינות המיישמות את את Directiva (WEEE) 2002/96EC on Waste of Electrical and Electronic Equipment.



RoHS של האיחוד האירופי

מוצרי Dell תואמים גם ל- EU Restriction of Hazardous Substances Directive 2002/95/EC (RoHS). EU RoHS מגביל את השימוש בחומרים מסוכנים מסוימים בייצור של ציוד חשמלי ואלקטרוני. באופן ספציפי, חומרים מסוכנים במסגרת הנחיית RoHS הם עופרת (כולל הלחמה ומרכבי מעגלים מודפסים), קדמיום, כספית, כרום וברום. חלק ממוצרי Dell כפופים לרשימת הפטור במסגרת RoHS Directive Annex 7 (הלחמת עופרת המשמשת במרכבי מעגלים מודפסים). מוצרים ומארזים יסומנו בתווית "RoHS" שמוצגת מימין המציינת התאמה להנחיה זו.



יצירת קשר עם Dell

טבלה 4 קשר באמצעות האינטרנט

תמיכה באינטרנט	
dell.com	אתר ראשי
support.dell.com	אתר לתמיכה

זכויות יוצרים

© 2011 Aruba Networks, Inc. AirWave®, Aruba Networks®, Aruba Mobility Management System® וסימנים רשומים אחרים הם סימנים מסחריים של Dell™, Aruba Networks, Inc. Dell™, הלוגו DELL™ וכן PowerConnect™ הם סימנים מסחריים של Dell Inc. כל הזכויות שמורות. המפרטים במדריך זה כפופים לשינויים ללא הודעה. נוצר בארה"ב. כל הסימנים המסחריים המופיעים במדריך זה הם קניין בעליהם בהתאמה.

מקור קוד פתוח

חלק ממוצרי Aruba כוללים קוד תוכנת מקור פתוח שפותח על-ידי צדדים שלישיים, כולל קוד תכנה כפוף ל- GNU General Public License (GPL), GNU Lesser General Public License (LGPL), או רישיון קוד פתוח אחר. את קוד המקור הפתוח שנמצא בשימוש ניתן למצוא באתר זה: http://www.arubanetworks.com/open_source

הודעה משפטית

השימוש בפלטפורמות ותוכנת המיתוג של Aruba Networks, Inc. על-יד כל האנשים הפרטיים או הארגונים, כדי לסיים התקני לקוח של ספקי VPN אחרים יוצרת הסכמה מוחלטת של חבות על-ידי אדם פרטי או ארגון אלה עבור פעולה זו ושיפוי, במלואו, של Aruba Networks, Inc. מפני פעולות חוקיות כלשהן וכולן העשויות להינקט נגדה בהתייחס להפרה של זכויות יוצרים מטעם ספקים אלה.