

Dell Networking
N1108T-ON/N1108P-ON/
N1108EP-ON/N1124T-ON/
N1124P-ON/N1148T-ON/
N1148P-ON Switches

Getting Started Guide

Guide de mise en route
Guia de Noções Básicas
Guía de introducción



Regulatory Model: E17W and E18W

Regulatory Type: E17W001/E18W001/E18W002

Dell Networking
N1108T-ON/N1108P-ON/
N1108EP-ON/N1124T-ON/
N1124P-ON/N1148T-ON/
N1148P-ON Switches
Getting Started Guide



Notes, Cautions, and Warnings



NOTE: A NOTE indicates important information that helps you make better use of your switch.



CAUTION: A CAUTION indicates either potential damage to hardware or loss of data and tells you how to avoid the problem.



WARNING: A WARNING indicates a potential for property damage, personal injury, or death.



Lithium battery caution:

- There is a danger of explosion if a battery is incorrectly replaced. Replace only with the same or equivalent type. Dispose batteries of according to the manufacturer's instructions.
- Disposing a battery into fire, a hot oven, mechanically crushing, or cutting it can result in an explosion.
- Leaving a battery in an extremely hot environment can result in leakage of flammable liquid, gas, or an explosion.
- If a battery is subjected to extremely low air pressure, it may result in leakage of flammable liquid, gas, or an explosion.
- The device can only be used in a fixed location such as a lab or a machine room. When you install the device, ensure that the protective earthing connection of the socket-outlet is verified by a skilled person.

© 2019 Dell Inc. or its subsidiaries. All rights reserved. This product is protected by U.S. and international copyright and intellectual property laws. Dell and the Dell logo are trademarks of Dell Inc. in the United States and/or other jurisdictions. All other marks and names mentioned herein may be trademarks of their respective companies.

Regulatory Models: E17W and E18W

May 2019 P/N NTHM9 Rev. A01

Contents

1	Introduction	5
	N1100-ON Series Hardware Overview	5
	Power Consumption for N1100-ON Series PoE Switches	5
	Ventilation System	6
	N1100-ON Series Model Summary	7
2	N1108T-ON/N1108P-ON/N1108EP-ON Installation	8
	Mounting an N1108T-ON/N1108P-ON Switch Using Dell Tandem Tray	8
	Mounting an N1108T-ON/N1108P-ON/N1108EP-ON on a Two-Post Rack Using Large L-brackets	9
	Mounting all N11xx-ON Switches on a Wall	10
3	N1124T-ON/N1124P-ON/N1148T-ON/ N1148P-ON Installation	13
	Rack Mounting an N1124T-ON/N1124P-ON/ N1148T-ON/ N1148P-ON Switch.	13
	Installing in a Rack	13
	Installing as a Free-standing Switch.	14
	Stacking Multiple N1124T-ON/N1124P-ON/ N1148T-ON/ N1148P-ON Switches	14

4	Starting and Configuring the N1100-ON Series Switch	15
	Connecting an N1100-ON Series Switch to a Terminal	16
	Connecting an N1100-ON Series Switch to a Power Source	17
	AC and DC Power Connection	17
	Booting the N1100-ON Series Switch	18
	Performing the N1100-ON Series Initial Configuration	19
	Enabling Remote Management	19
	Initial Configuration Procedure	20
	Example Session	21
	Dell Easy Setup Wizard Console Example	22
	Next Steps	26
5	Agency compliance	28
6	NOM Information (Mexico Only)	31

Introduction

This document provides basic information about the Dell Networking N1100-ON Series switches, including how to install a switch and perform the initial configuration. For information about how to configure and monitor switch features, refer to the *User Configuration Guide*, which is available on the Dell Support website at dell.com/support. See the Support website for the latest updates on documentation and firmware.



NOTE: Switch administrators are strongly advised to maintain Dell Networking switches on the latest version of the Dell Networking Operating System (DNOS). Dell Networking continually improves the features and functions of DNOS based on feedback from you, the customer. For critical infrastructure, pre-staging of the new release into a non-critical portion of the network is recommended to verify network configuration and operation with the new DNOS version.

N1100-ON Series Hardware Overview

This section contains information about device characteristics and modular hardware configurations for the Dell Networking N1100-ON Series switch.

NOTE: The N1108EP-ON switch uses an external power adaptor. There is no mounting kit available for the N1108EP-ON external power adaptor. When installing the N1108EP-ON, place the external power adaptor away from the switch.

Power Consumption for N1100-ON Series PoE Switches

Table 1-1 describes the power consumption for N1100-ON Series PoE switches. The PoE power budget is 60W for the N1108P-ON, 123W for the N1108EP-ON, 185W for the N1124P-ON, and 370W for the N1148P-ON.

Table 1-1. Power Consumption for N1100-ON Series PoE Switches

Model	Input Voltage	Power Supply Configuration	Maximum Steady Current Consumption (A)	Maximum Steady Power (W)
N1108P-ON	100V/60Hz	Main PSU	0.95A	88.64W
	110V/60Hz	Main PSU	0.87A	88.43W
	120V/60Hz	Main PSU	0.80A	88.22W
	220V/50Hz	Main PSU	0.49A	89.28W
	240V/50Hz	Main PSU	0.45A	89.70W

Model	Input Voltage	Power Supply Configuration	Maximum Steady Current Consumption (A)	Maximum Steady Power (W)
N1108EP-ON	100V/60Hz	54VDC External power adaptor	1.62A	157W
	110V/60Hz	54VDC External power adaptor	1.47A	157W
	120V/60Hz	54VDC External power adaptor	1.35A	157W
	220V/50Hz	54VDC External power adaptor	0.74A	157W
	240V/50Hz	54VDC External power adaptor	0.67A	157W
N1124P-ON	100V/60Hz	Main PSU	2.66A	260.66W
	110V/60Hz	Main PSU	2.38A	257.95W
	120V/60Hz	Main PSU	2.16A	256.27W
	220V/50Hz	Main PSU	1.18A	250.52W
	240V/50Hz	Main PSU	1.10A	251.25W
N1148P-ON	100V/60Hz	Main PSU	4.78A	476.03W
	110V/60Hz	Main PSU	4.32A	472.64W
	120V/60Hz	Main PSU	3.95A	470.58W
	220V/50Hz	Main PSU	2.14A	459.37W
	240V/50Hz	Main PSU	1.97A	459.06W

Ventilation System

One fan cools the N1108T-ON/N1108P-ON switches, and two fans cool the N1024T-ON/N1024P-ON/N1048T-ON/N1048P-ON switches. The fans are not field replaceable. The N1108EP-ON is a fanless switch.

N1100-ON Series Model Summary

Table 1-2. N1100-ON Series Switch Regulatory Numbers

Marketing Model Name (MMN)	Description	Power Supply Unit (PSU)	Regulatory Model Number (RMN)	Regulatory Type Number (RTN)
N1108T-ON	10x1G/2x1G SFP Ports	DPS-24GP	E17W	E17W001
N1108P-ON	10x1G/2x1G SFP/2xPoE+ Ports	DPS-80AP/ DPS-24GP	E17W	E17W001
N1108EP-ON	8x1G PoE+/2x1G PD/2x1G SFP Ports	ADP-280BR	E48W	E48W001
N1124T-ON	24x1G/4x10G SFP+ Ports	DPS-40AP	E18W	E18W001
N1124P-ON	24x1G/4x10G SFP+/6xPoE+ Ports	EDPS-250BF	E18W	E18W001
N1148T-ON	48x1G/4x10G SFP+ Ports	DPS-60AP	E18W	E18W002
N1148P-ON	48x1G/4x10G SFP+/12xPoE+ Port	YM-2501D	E18W	E18W002

N1108T-ON/N1108P-ON/N1108EP-ON Installation

Mounting an N1108T-ON/N1108P-ON Switch Using Dell Tandem Tray

The AC power connector is on the rear panel.

! **WARNING:** Read the safety information in the *Safety and Regulatory Information* as well as the safety information for other switches that connect to or support the switch.

! **WARNING:** Do not use rack mounting kits to suspend the switch from under a table or desk, or attach it to a wall.

! **CAUTION:** Disconnect all cables from the switch before continuing. Remove all self-adhesive pads from the underside of the switch, if they have been attached.

! **CAUTION:** When mounting multiple switches into a rack, mount the switches from the bottom up.

- 1 Secure the N1108T-ON/N1108P-ON switch in the Dell Tandem Tray Kit as shown in Figure 1-1.

Figure 1-1. Dell Tandem Tray Kit



- 2 Insert the switch into the 48.26 cm (19 inch) rack, ensuring that the rack mounting holes on the kit line up to the mounting holes in the rack.

- 3 Secure the kit to the rack with either the rack bolts or cage nuts and cage-nut bolts with washers (depending on the kind of rack you have). Fasten the bolts on the bottom before fastening the bolts on the top.

Mounting an N1108T-ON/N1108P-ON/N1108EP-ON on a Two-Post Rack Using Large L-brackets

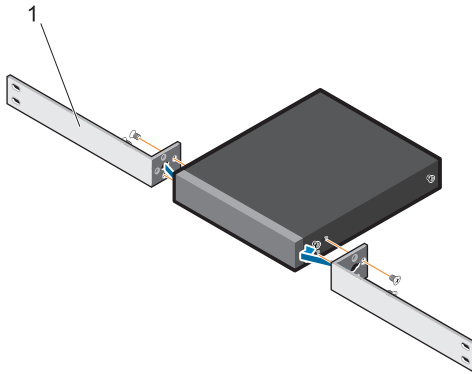
NOTE: The AC power connector is on the rear panel of the N1108T-ON/N1108P-ON switches. The DC power connector for the N1108EP-ON is at the center of the rear panel.

NOTE: The N1108EP-ON switch uses an external power adaptor. There is no mounting kit available for the N1108EP-ON external power adaptor. When installing the N1108EP-ON, place the external power adaptor away from the switch.

CAUTION: As the N1108EP-ON is a fanless switch, do not place the external power adaptor on top of the switch to avoid overheating.

- 1 Place the supplied rack-mounting bracket on one side of the switch making sure that the mounting holes on the switch line up to the mounting holes on the rack mounting bracket. See item 1 in Figure 1-2.

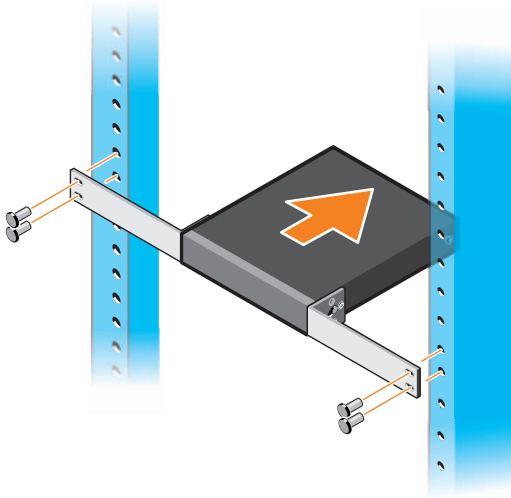
Figure 1-2. Installing Using Large L-bracket Kit



- 2 Insert the supplied screws into the rack mounting holes and tighten with a screwdriver.
- 3 Repeat the process on the other side of the switch.

- 4 Insert the switch and rail assembly into the rack from the front of the rack. Make sure that the rack-mounting holes on the switch line up to the mounting holes on the rack.
- 5 Secure the switch to the rack with the rack screws. Fasten the lower pair of screws before the upper pair of screws. See Figure 1-3.

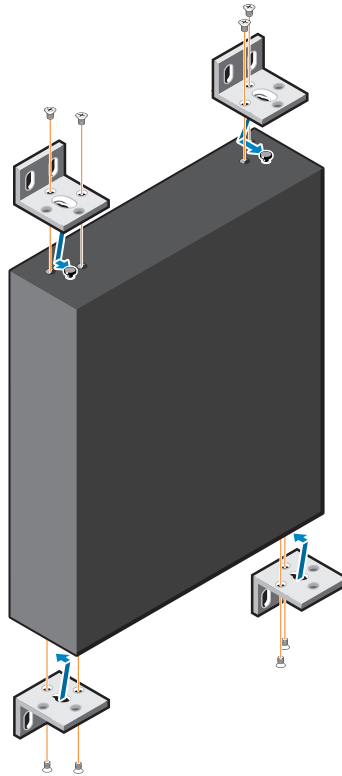
Figure 1-3. Install on a Two-post Rack with L-Bracket



Mounting all N11xx-ON Switches on a Wall

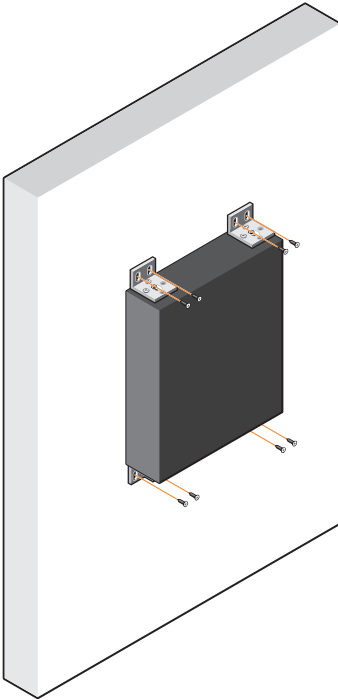
- 1 Make sure that the mounting location meets the following requirements:
 - The surface of the wall can support the switch.
 - The location is ventilated to prevent heat buildup.
- 2 Place the supplied wall-mounting bracket on one side of the switch, verifying that the mounting holes on the switch line up to the mounting holes on the wall-mounting bracket.
- 3 Insert the supplied screws into the wall-mounting bracket holes and tighten with a screwdriver. See Figure 1-4.

Figure 1-4. Inserting Mounting Brackets



- 4** Repeat the process for the wall-mounting bracket on the other side of the switch.
- 5** Place the switch on the wall in the location where the switch is being installed.
- 6** Mark the locations on the wall where the screws to hold the switch must be prepared.
- 7** On the marked locations, drill the holes and place all the eight supplied anchors in the holes.
- 8** Insert the supplied screws into the wall-mounting bracket holes and tighten them with a screwdriver. See Figure 1-5.

Figure 1-5. Mounting on a Wall



N1124T-ON/N1124P-ON/N1148T-ON/ N1148P-ON Installation

Rack Mounting an N1124T-ON/N1124P-ON/ N1148T-ON/ N1148P-ON Switch

! **WARNING:** Read the safety information in the *Safety and Regulatory Information* as well as the safety information for other switches that connect to or support the switch.

The AC power connector is on the rear panel of the switch.

Installing in a Rack

! **WARNING:** Do not use rack mounting kits to suspend the switch from under a table or desk, or attach it to a wall.

△ **CAUTION:** Disconnect all cables from the switch before continuing. Remove all self-adhesive pads from the underside of the switch, if they have been attached.

△ **CAUTION:** When mounting multiple switches into a rack, mount the switches from the bottom up.

- 1 Place the supplied rack-mounting bracket on one side of the switch, ensuring that the mounting holes on the switch line up to the mounting holes in the rack-mounting bracket. Figure 1-6 illustrates where to mount the brackets.

Figure 1-6. Attaching the Brackets



- 2 Insert the supplied bolts into the rack-mounting holes and tighten with a screwdriver.
- 3 Repeat the process for the rack-mounting bracket on the other side of the switch.
- 4 Insert the switch into the 48.26 cm (19 inch) rack, ensuring that the rack-mounting holes on the bracket line up with the mounting holes in the rack.
- 5 Secure the bracket to the rack with either the rack bolts or cage nuts and cage-nut bolts with washers (depending on the kind of rack you have). Fasten the bolts on the bottom before fastening the bolts on the top.



CAUTION: Make sure that the supplied rack bolts fit the pre-threaded holes in the rack.



NOTE: Make sure that the ventilation holes are not obstructed.

Installing as a Free-standing Switch



NOTE: Dell strongly recommends mounting the switch in a rack.

Install the switch on a flat surface if you are not installing it in a rack. The surface must be able to support the weight of the switch and the switch cables. The switch is supplied with four self-adhesive rubber pads.

- 1 Attach the self-adhesive rubber pads on each location marked on the bottom of the switch.
- 2 Set the switch on a flat surface, and make sure that it has proper ventilation by leaving 5 cm (2 inches) on each side and 13 cm (5 inches) at the back.

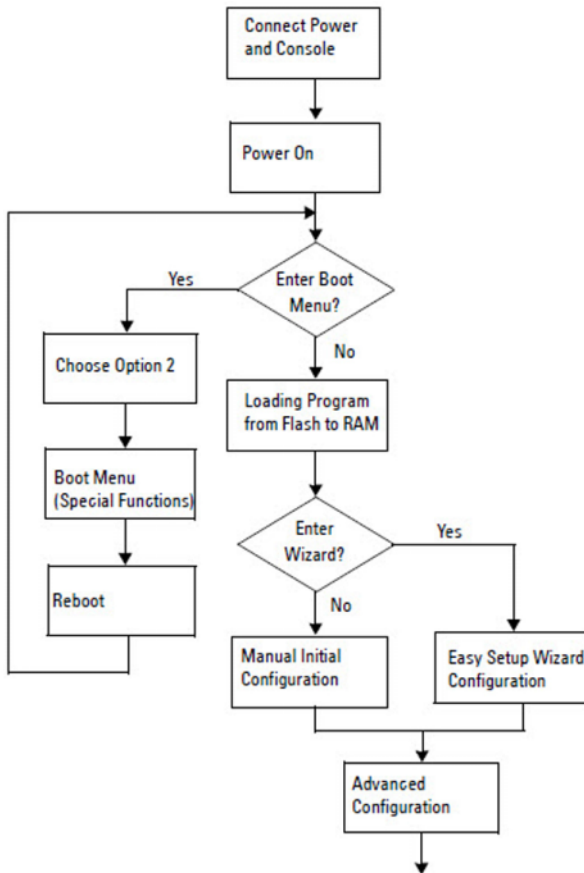
Stacking Multiple N1124T-ON/N1124P-ON/ N1148T-ON/ N1148P-ON Switches

You can stack N1124T-ON/N1124P-ON/N1148T-ON/ N1148P-ON switches up to four switches high using 10G SFP+ ports on the front of the switch. The ports must be configured to support stacking. When multiple switches are connected together through the stack ports, they operate as a single unit with up to 208 front-panel ports. The stack operates and is managed as a single entity. Refer to the *User Configuration Guide* and the *CLI Reference Guide* for more information.

Starting and Configuring the N1100-ON Series Switch

The following flow chart provides an overview of the steps you use to perform the initial configuration after the switch is unpacked and mounted.

Figure 1-7. Installation and Configuration Flow Chart



Connecting an N1100-ON Series Switch to a Terminal

After completing all external connections, configure the switch by connecting it to a terminal.



NOTE: Read the Release Notes for this product before proceeding. You can download the Release Notes from the Dell Support website at dell.com/support.



NOTE: Dell recommends that you obtain the most recent version of the user documentation from the Dell Support website at dell.com/support.

To monitor and configure the switch via the USB console, use the console port on the front panel of the switch to connect it to a computer running VT100 terminal emulation software using the supplied USB cable. It may be necessary to download and install a driver on first use of the USB cable.

The following equipment is required to use the console port:

- VT100-compatible computer with a USB port running VT100 terminal emulation software, such as HyperTerminal® and a USB driver.
- The supplied USB cable with a type B USB connector for the console port and USB connector for the host PC.

Perform the following tasks to connect a terminal to the switch console port:

- 1 Connect the USB type B connector on the supplied switch and connect the other end to a computer running VT100 terminal emulation software.
- 2 Configure the terminal emulation software as follows:
 - a Select the appropriate serial port (for example, COM 1) to connect to the console.
 - b Set the data rate to 115,200 baud.
 - c Set the data format to 8 data bits, 1 stop bit, and no parity.
 - d Set the flow control to none.
 - e Set the terminal emulation mode to VT100.
 - f Select Terminal keys for Function, Arrow, and Ctrl keys. Make sure that the setting is for Terminal keys (not Microsoft Windows keys).
- 3 Connect the USB type B connector on the cable directly to the switch console port. The Dell Networking console port is located on the right side of the front panel and is labeled with a |O|O| symbol.



NOTE: Console access to the stack manager is available from any console port via the local CLI. Only one USB console session at a time is supported.

Connecting an N1100-ON Series Switch to a Power Source



CAUTION: Read the safety information in the *Safety and Regulatory Information* manual as well as the safety information for other switches that connect to or support the switch.

The N1108T-ON and N1108P-ON models have one internal power supply. The power receptacle is on the rear panel. N1108EP-ON uses an external DC power adaptor. The external DC power adaptor

AC and DC Power Connection

- 1 Make sure that the switch console port is connected to a PC running a VT100 terminal emulator via the USB to USB Type B cable.
- 2 Using a 5-foot (1.5 m) standard power cable with safety ground connected, connect the power cable to the AC main receptacle located on the rear panel.

The PoE model switches have a heavy-duty power cable with a notched connector for the switch power receptacle. Use of this type of cable is mandatory for PoE-capable switches.

- 3 Connect the power cable to a grounded AC outlet.

Booting the N1100-ON Series Switch

When the power is turned on with the local terminal already connected, the switch goes through a power-on self-test (POST). POST runs every time the switch is initialized and checks hardware components to determine if the switch is fully operational before completely booting. If POST detects a critical problem, the program flow stops. If POST passes successfully, valid firmware is loaded into RAM. POST messages are displayed on the terminal and indicate test success or failure. The boot process runs for approximately 60 seconds.

You can invoke the **Boot** menu after the first part of the POST is completed. From the **Boot** menu, you can perform configuration tasks such as resetting the system to factory defaults, activating the backup image, or recovering a password. For more information about the **Boot** menu functions, refer to the *CLI Reference Guide*.

Performing the N1100-ON Series Initial Configuration

The initial configuration procedure is based on the following assumptions:

- The Dell Networking switch was never configured before.
- The Dell Networking switch booted successfully.
- The console connection was established, and the **Dell Easy Setup Wizard** prompt appears on the screen of a PC running terminal emulation software.

The initial switch configuration is performed through the console port. After the initial configuration, you can manage the switch from the already-connected console port or remotely through an interface defined during the initial configuration.



NOTE: The switch is not configured with a default user name, password, or IP address.

Before setting up the initial configuration of the switch, obtain the following information from your network administrator:

- The IP address to be assigned to the management interface.
- The IP subnet mask for the network.
- The IP address of the management interface default gateway.

These settings are necessary to allow the remote management of the switch through Telnet (Telnet client) or HTTP (Web browser).

Enabling Remote Management

On the N1100-ON Series switches, you can use any of the switch ports on the front panel for in-band management. By default, all in-band ports are members of VLAN 1.

The **Dell Easy Setup Wizard** includes prompts to configure network information for the VLAN 1 interface on the N1100-ON Series switches. You can assign a static IP address and subnet mask or enable DHCP and allow a network DHCP server to assign the information.

Refer to the *CLI Reference Guide* for commands to configure network information.

Initial Configuration Procedure

Perform the initial configuration by using the **Dell Easy Setup Wizard** or by using the CLI. The wizard automatically starts when the switch configuration file is empty. Exit the wizard at any point by entering [ctrl+z], but all configuration settings specified will be discarded, and the switch will use the default values.



NOTE: If you do not run the **Dell Easy Setup Wizard** or do not respond to the initial Easy Setup Wizard prompt within 60 seconds, the switch enters CLI mode. You must reset the switch with an empty startup configuration in order to rerun the **Dell Easy Setup Wizard**.

For more information about performing the initial configuration by using the CLI, refer to the *CLI Reference Guide*. This *Getting Started Guide* shows how to use the **Dell Easy Setup Wizard** for initial switch configuration. The wizard sets up the following configuration on the switch:

- Establishes the initial privileged user account with a valid password. The wizard configures one privileged user account during the setup.
- Enables CLI login and HTTP access to use the local authentication setting only.
- Sets up the IP address for the VLAN 1 routing interface, of which all in-band ports are members.
- Sets up the SNMP community string to be used by the SNMP manager at a given IP address. Skip this step if SNMP management is not used for this switch.
- Allows you to specify the network management system IP address or permit management access from all IP addresses.
- Configures the default gateway IP address for the VLAN 1 interface.

Example Session

This section describes a **Dell Easy Setup Wizard** session. The following values are used by the example session:

- The SNMP community string to be used is **public**.
- The network management system (NMS) IP address is **10.1.2.100**.
- The user name is **admin**, and the password is **admin123**.
- The IP address for the VLAN 1 routing interface is **10.1.1.200** with a subnet mask of **255.255.255.0**.
- The default gateway is **10.1.1.1**.

The setup wizard configures the initial values as defined above. After completing the wizard, the switch is configured as follows:

- SNMPv2 is enabled and the community string is set up as defined above. SNMPv3 is disabled by default.
- The admin user account is set up as defined.
- A network management system is configured. From the management station, you can access the SNMP, HTTP, and CLI interfaces. You may also choose to allow all IP addresses to access these management interfaces by choosing the (0.0.0.0) IP address.
- An IP address is configured for the VLAN 1 routing interface.
- A default gateway address is configured.



NOTE: In the following example, the possible user options or default values are enclosed in []. If you press <Enter> with no options defined, the default value is accepted. Help text is in parentheses.

Dell Easy Setup Wizard Console Example

The following example contains the sequence of prompts and responses associated with running an example **Dell Easy Setup Wizard** session, using the input values listed earlier.

After the switch completes the POST and is booted, the following dialog appears:

```
Unit 1 - Waiting to select management unit)>
```

```
_____Dell SupportAssist EULA_____
```

```
I accept the terms of the license agreement. You can reject the license agreement by configuring this command 'eula-consent support-assist reject'.
```

```
By installing SupportAssist, you allow Dell to save your contact information (e.g. name, phone number and/or email address) which would be used to provide technical support for your Dell products and services Dell may use the information for providing recommendations to improve your IT infrastructure. Dell SupportAssist also collects and stores machine diagnostic information, which may include but is not limited to configuration information, user supplied contact information, names of data volumes, IP addresses, access control lists, diagnostics & performance information, network configuration information, host/server configuration & performance information and related data (Collected Data) and transmits this information to Dell. By downloading SupportAssist and agreeing to be bound by these terms and the Dell end user license agreement, available at: http://www.dell.com/aeula, you agree to allow Dell to provide remote monitoring services of your IT environment and you give Dell the right to collect the Collected Data in accordance with Dell's Privacy Policy, available at: http://www.dell.com/privacypolicycountryspecific, in order to enable the performance of all of the various functions of SupportAssist during your entitlement to
```

receive related repair services from Dell. You further agree to allow Dell to transmit and store the Collected Data from SupportAssist in accordance with these terms. You agree that the provision of SupportAssist may involve international transfers of data from you to Dell and/or to Dell's affiliates, subcontractors or business partners. When making such transfers, Dell shall ensure appropriate protection is in place to safeguard the Collected Data being transferred in connection with SupportAssist. If you are downloading SupportAssist on behalf of a company or other legal entity, you are further certifying to Dell that you have appropriate authority to provide this consent on behalf of that entity. If you do not consent to the collection, transmission and/or use of the Collected Data, you may not download, install or otherwise use SupportAssist.

AeroHive HiveManager NG EULA

This switch includes a feature that enables it to work with HiveManager (an optional management suite), by sending the switch's service tag number and IP Address to HiveManager to authenticate your entitlement to use HiveManager. If you wish to disable this feature, you should run command 'eula-consent hiveagent reject' immediately upon powering up the switch for the first time, or at any time thereafter.

Applying Global configuration, please wait...

Welcome to Dell Easy Setup Wizard

The setup wizard guides you through the initial switch configuration, and gets you up and running as quickly as possible. You can skip the setup wizard, and enter CLI mode to manually configure the switch. You must respond to the next question to run the setup wizard within 60 seconds, otherwise the system will continue

with normal operation using the default system configuration. Note: You can exit the setup wizard at any point by entering [ctrl+z].

Would you like to run the setup wizard (you must answer this question within 60 seconds)? [Y/N] **y**

Step 1:

The system is not set up for SNMP management by default. To manage the switch using SNMP (required for Dell Network Manager) you can

- . Set up the initial SNMP version 2 account now.
- . Return later and set up other SNMP accounts. (For more information on setting up an SNMP version 1 or 3 account, see the user documentation).

Would you like to set up the SNMP management interface now? [Y/N] **y**

To set up the SNMP management account you must specify the management system IP address and the "community string" or password that the particular management system uses to access the switch. The wizard automatically assigns the highest access level [Privilege Level 15] to this account. You can use Dell Network Manager or other management interfaces to change this setting, and to add additional management system information later. For more information on adding management systems, see the user documentation.

To add a management station:

Please enter the SNMP community string to be used.

[public]: **public**



NOTE: If it is configured, the default access level is set to the highest available access for the SNMP management interface. Initially only SNMPv2 will be activated. SNMPv3 is disabled until you return to configure security access for SNMPv3 (e.g. engine ID, view, etc.).

Please enter the IP address of the Management System (A.B.C.D) or wildcard (0.0.0.0) to manage from any Management Station. [0.0.0.0]: **10.1.2.100**

Step 2:

Now we need to set up your initial privilege (Level 15) user account. This account is used to login to the CLI and Web interface. You may set up other accounts and change privilege levels later. For more information on setting up user accounts and changing privilege levels, see the user documentation.

To set up a user account:

```
Please enter the user name. [root]:admin
Please enter the user password: *****
Please reenter the user password: *****
```

Step 3:

Next, an IP address is set up on the VLAN 1 routing interface.

You can use the IP address to access the CLI, Web interface, or SNMP interface of the switch.

To access the switch through any Management Interface you can

- . Set up the IP address for the Management Interface.
- . Set up the default gateway if IP address is manually configured on the routing interface.

Step 4:

```
Would you like to set up the VLAN1 routing interface now? [Y/N] y
```

```
Please enter the IP address of the device (A.B.C.D) or enter "DHCP" (without the quotes) to automatically request an IP address from the network DHCP server:  
10.1.1.200
```

```
Please enter the IP subnet mask (A.B.C.D or /nn):  
255.255.255.0
```

Step 5:

Finally, set up the default gateway. Please enter the IP address of the gateway from which this network is reachable. [0.0.0.0]: **10.1.1.1**

This is the configuration information that has been collected:

```
SNMP Interface = "public"@10.1.2.100
User Account setup = admin
Password = *****
VLAN1 Router Interface IP = 10.1.1.200 255.255.255.0
Default Gateway = 10.1.1.1
```

Step 6:

If the information is correct, please enter (Y) to save the configuration and copy the settings to the start-up configuration file. If the information is incorrect, enter (N) to discard the configuration and restart the wizard: [Y/N] **y**

Thank you for using the Dell Easy Setup Wizard. You will now enter CLI mode.

Applying Interface configuration, please wait...

Next Steps

After completing the initial configuration described in this section, connect any of the front-panel switch ports to a production network for in-band remote management.

If you specified DHCP for the VLAN 1 management interface IP address, the interface will acquire its IP address from a DHCP server on the network. To discover the dynamically assigned IP address, use the console port connection to issue the following command:

- For the VLAN 1 routing interface, enter **show ip interface**.

To access the Dell OpenManage Switch Administrator interface, enter the VLAN 1 management interface IP address into the address field of a Web browser. For remote management access to the CLI, enter the VLAN 1 management interface IP address into a Telnet or SSH client. Alternatively, continue to use the console port for local CLI access to the switch.

The N1100-ON Series switches support basic switching features such as VLANs and spanning tree protocol. Use the Web-based management interface or the CLI to configure the features your network requires. For information about how to configure the switch features, refer to the *User Configuration Guide* or *CLI Reference Guide* available on the support site: dell.com/support.

Agency compliance

The N1108T-ON, N1108P-ON, N1108EP-ON, N1124T-ON, N1124P-ON, N1148T-ON, and N1148P-ON switches comply with the following safety and agency requirements:

USA Federal Communications Commission statement

This equipment has been tested and found to comply with the limits for a Class A digital device, pursuant to Part 15 of the FCC rules. These limits are designated to provide reasonable protection against harmful interference when the equipment is operated in a commercial environment. This equipment generates, uses, and can radiate radio frequency energy. If it is not installed and used in accordance to the instructions, it may cause harmful interference to radio communications. Operation of this equipment in a residential area is likely to cause harmful interference, in which case users will be required to take whatever measures necessary to correct the interference at their own expense.

Properly shielded and grounded cables and connectors must be used in order to meet FCC emission limits. Dell EMC is not responsible for any radio or television interference caused by using other than recommended cables and connectors or by unauthorized changes or modifications in the equipment. Unauthorized changes or modification could void the user's authority to operate the equipment.

This device complies with Part 15 of the FCC Rules. Operation is subject to the following two conditions: (1) this device may not cause harmful interference, and (2) this device must accept any interference received, including interference that may cause undesired operation.

Figure 1-8. Canadian department of communication statement

Industry Canada Class A emission compliance statement

This Class A digital apparatus complies with Canadian ICES-003.

Avis de conformité à la réglementation d'Industrie Canada

Cet appareil numérique de la classe A est conforme à la norme NMB-003 du Canada.

Safety standards and compliance agency certifications

- IEC 62368-1, 2nd Edition
- CUS UL 60950-1, 2nd Edition
 - Meets or exceeds Hi Pot and Ground Continuity testing per UL 60950-1.
- AS/NZS 60950
- CSA 60950-1-03, 2nd Edition
- EN 60950-1, 2nd Edition
- EN 60825-1, 1st Edition
- EN 60825-1 Safety of Laser Products—Part 1: Equipment Classification Requirements and User's Guide
- EN 60825-2 Safety of Laser Products—Part 2: Safety of Optical Fibre Communication Systems
- FDA Regulation 21CFR 1040.10 and 1040.11
- IEC 60950-1, 2nd Ed, including all National Deviations and Group Differences

Electromagnetic compatibility

Emissions

- International: CISPR 32: Class A
- Australia/New Zealand: AS/NZS CISPR 32, Class A
- Canada: ICES-003, Issue-4, Class A

- Europe: EN55032:2015 (CISPR 32), Class A
- EN55032
- Japan: VCCI Class A
- Korea: KN32, Class A
- Taiwan: CNS13438, Class A
- USA: FCC CFR47 Part 15, Subpart B, Class A

Immunity

- EN 300 386 EMC for Network Equipment
- EN 55024
- EN 61000-3-2 Harmonic Current Emissions
- EN 61000-3-3 Voltage Fluctuations and Flicker
- EN 61000-4-2 ESD
- EN 61000-4-3 Radiated Immunity
- EN 61000-4-4 EFT
- EN 61000-4-5 Surge
- EN 61000-4-6 Low Frequency Conducted Immunity

Product recycling and disposal

You must recycle or discard this system according to applicable local and national regulations. Dell EMC encourages owners of information technology (IT) equipment to responsibly recycle their equipment when it is no longer needed. Dell EMC offers a variety of product return programs and services in several countries to assist equipment owners in recycling their IT products.

NOM Information (Mexico Only)

The following information is provided on the device(s) described in this document in compliance with the requirements of the official Mexican standards (NOM):

Exporter:	Dell Inc. One Dell Way Round Rock, TX 78682
Importer:	Dell México, S.A. de C.V Av. Javier Barros Sierra, no 540, Piso 10, Col. Lomas de Santa Fe Delegación Álvaro Obregón, Ciudad de México. C.P. 01219 R.F.C: DME9204099R6
Ship to:	Dell México, S.A. de C.V Av. Javier Barros Sierra, no 540, Piso 10, Col. Lomas de Santa Fe Delegación Álvaro Obregón, Ciudad de México. C.P. 01219 R.F.C: DME9204099R6
Supply voltage:	Dell Networking N1100-ON Series: 100V–240 VAC
Frequency:	Dell Networking N1100-ON Series: 50–60 Hz
Maximum steady state current consumption:	Dell Networking N1100-ON Series: <ul style="list-style-type: none">• See table 1-1

Dell Networking
N1108T-ON/N1108P-ON/
N1108EP-ON/N1124T-ON/
N1124P-ON/N1148T-ON/
N1148P-ON

Guide de mise en route



Remarques, précautions et avertissements



REMARQUE: REMARQUE signale des informations importantes qui vous aident à mieux utiliser votre commutateur.



PRÉCAUTION: Une **PRÉCAUTION** indique un risque d'endommagement du matériel ou de perte de données et vous indique comment éviter le problème.



AVERTISSEMENT: Un **AVERTISSEMENT** indique un risque d'endommagement du matériel, de blessures corporelles ou même de mort.



Précaution au sujet des batteries au lithium :

- Il existe un danger d'explosion dans le cas où une batterie ne serait pas remplacée correctement. Remplacez la batterie uniquement par une batterie identique ou de type équivalent. Mettez les batteries usagées au rebut selon les instructions du fabricant.
- Jeter une batterie dans un feu, un four haute température, l'écraser mécaniquement ou la couper peut entraîner son explosion.
- Laisser la batterie dans un milieu extrêmement chaud peut entraîner des fuites de liquide ou de gaz inflammable ou entraîner une explosion.
- Soumettre la batterie à une faible pression atmosphérique peut entraîner une fuite de liquide ou de gaz inflammable ou une explosion.
- L'appareil doit uniquement être utilisé dans un emplacement fixe, tel qu'un laboratoire ou une salle des machines. Lors de l'installation de l'appareil, assurez-vous de faire vérifier le branchement de mise à la terre de la prise par une personne compétente.

© 2019 Dell Inc. ou ses filiales. Tous droits réservés. Le présent produit est protégé par les législations américaine et internationale sur le droit d'auteur et la propriété intellectuelle. Dell et le logo Dell sont des marques de Dell Inc. aux États-Unis et/ou dans d'autres pays. Toutes les autres marques et tous les noms de produits mentionnés dans ce document peuvent être des marques de leurs sociétés respectives.

Modèles réglementaires : E17W et E18W

Mai 2019 N/P NTHM9 Rév. A01

Table des matières

1	Introduction	37
	Présentation du matériel Série N1100-ON	37
	Consommation électrique des commutateurs	
	PoE Série N1100-ON	37
	Système de ventilation	39
	Résumé du modèle Série N1100-ON.	39
2	Installation des commutateurs	
	N1108T-ON/N1108P-ON/N1108EP-ON	40
	Montage d'un commutateur N1108T-ON/N1108P-ON	
	à l'aide d'un plateau tandem Dell	40
	Montage d'un commutateur N1108T-ON/N1108P-ON/	
	N1108EP-ON sur un rack à deux montants à l'aide	
	de grands supports en L	41
	Montage mural pour tous les commutateurs	
	N11xx-ON	42
3	Installation des N1124T-ON/N1124P-ON/	
	N1148T-ON/ N1148P-ON	45
	Montage en rack d'un commutateur N1124T-ON/	
	N1124P-ON/ N1148T-ON/ N1148P-ON	45
	Installation dans un rack	45
	Installation en tant que commutateur autonome	46
	Empilage de plusieurs commutateurs N1124T-ON/	
	N1124P-ON/ N1148T-ON/ N1148P-ON	46

4	Démarrage et configuration des commutateurs Série N1100-ON	47
	Connexion d'un commutateur Série N1100-ON à un terminal	48
	Série N1100-ON Connexion d'un commutateur à une source d'alimentation	49
	Connexion du câble d'alimentation secteur et CC	49
	Démarrage du commutateur Série N1100-ON	50
	Réalisation de la configuration initiale du Série N1100-ON	51
	Activation de la gestion à distance	51
	Procédure de configuration initiale	52
	Exemple de session	53
	Exemple de la console Assistant Dell d'installation facile	54
	Étapes suivantes	58
5	Conformité avec les organismes	60

Introduction

Ce document fournit des informations de base concernant les commutateurs Dell Networking Série N1100-ON, y compris leur installation et leur configuration initiale. Pour en savoir plus sur la façon de configurer et surveiller les fonctions du commutateur, reportez-vous au *User Configuration Guide (Guide de configuration utilisateur)*, qui est disponible sur le site Web du support de Dell dell.com/support. Consultez le site web du support pour obtenir les dernières mises à jour de la documentation et du micrologiciel.



REMARQUE: Il est fortement recommandé aux administrateurs des commutateurs de veiller à ce que les commutateurs Dell Networking soient toujours équipés de la version la plus récente de DNOS Dell Networking, le système d'exploitation Dell Networking. Dell Networking améliore en permanence les caractéristiques et les fonctions de DNOS à partir des commentaires de nos clients. Pour les infrastructures critiques, il est recommandé de pré-activer la nouvelle version dans une partie non critique du réseau afin de vérifier la configuration réseau et le bon fonctionnement avec la nouvelle version DNOS.

Présentation du matériel Série N1100-ON

Cette section contient des informations relatives aux caractéristiques de l'appareil et aux configurations matérielles modulaires du commutateur Dell Networking Série N1100-ON.

REMARQUE: Le commutateur N1108EP-ON utilise un adaptateur secteur externe. Aucun kit de montage n'est disponible pour l'adaptateur secteur externe du commutateur N1108EP-ON. Lors de l'installation du commutateur N1108EP-ON, placez l'adaptateur secteur externe à l'écart du commutateur.

Consommation électrique des commutateurs PoE Série N1100-ON

Le Tableau 1-1 décrit la consommation d'énergie des commutateurs PoE Série N1100-ON. Le bilan de puissance des commutateurs PoE est de 60 W pour les modèles N1108P-ON, de 123 W pour les modèles N1108EP-ON, de 185 W pour les modèles N1124P-ON et de 370 W pour les modèles N1148P-ON.

Tableau1-1. Consommation électrique des commutateurs PoE Série N1100-ON

Modèle	Tension d'entrée	Configuration du bloc d'alimentation	Consommation maximale de courant constant (A)	Puissance constante maximale (en W)
N1108P-ON	100 V/60 Hz	PSU principal	0,95 A	88,64 W
	110 V/60 Hz	PSU principal	0,87 A	88,43 W
	120 V/60 Hz	PSU principal	0,80 A	88,22 W
	220 V/50 Hz	PSU principal	0,49 A	89,28 W
	240 V/50 Hz	PSU principal	0,45 A	89,70 W
N1108EP-ON	100 V/60 Hz	Adaptateur secteur externe 54 VCC	1,62 A	157 W
	110 V/60 Hz	Adaptateur secteur externe 54 VCC	1,47 A	157 W
	120 V/60 Hz	Adaptateur secteur externe 54 VCC	1,35 A	157 W
	220 V/50 Hz	Adaptateur secteur externe 54 VCC	0,74 A	157 W
	240 V/50 Hz	Adaptateur secteur externe 54 VCC	0,67 A	157 W
N1124P-ON	100 V/60 Hz	PSU principal	2,66 A	260,66 W
	110 V/60 Hz	PSU principal	2,38 A	257,95 W
	120 V/60 Hz	PSU principal	2,16 A	256,27 W
	220 V/50 Hz	PSU principal	1,18 A	250,52 W
	240 V/50 Hz	PSU principal	1,10 A	251,25 W
N1148P-ON	100 V/60 Hz	PSU principal	4,78 A	476,03 W
	110 V/60 Hz	PSU principal	4,32 A	472,64 W
	120 V/60 Hz	PSU principal	3,95 A	470,58 W
	220 V/50 Hz	PSU principal	2,14 A	459,37 W
	240 V/50 Hz	PSU principal	1,97 A	459,06 W

Système de ventilation

Un seul ventilateur refroidit les commutateurs N1108T-ON/N1108P-ON et deux ventilateurs refroidissent les commutateurs N1024T-ON/N1024P-ON/N1048T-ON/N1048P-ON. Les ventilateurs ne sont pas remplaçables sur le terrain. Le commutateur N1108EP-ON n'est pas équipé d'un ventilateur.

Résumé du modèle Série N1100-ON

Tableau1-2. Numéros réglementaires du commutateur Série N1100-ON

Nom de commercialisation du modèle (MMN)	Description	Bloc d'alimentation (PSU)	Numéro de modèle réglementaire (RMN)	Numéro de type réglementaire (RTN)
N1108T-ON	Ports SFP 10x1G/2x1G	DPS-24GP	E17W	E17W001
N1108P-ON	Ports 10 x 1G/2 x 1G SFP/ 2 x PoE+	DPS-80AP/ DPS-24GP	E17W	E17W001
N1108EP-ON	Ports 8 x 1 G PoE+/2 x 1 G PD/ 2 x 1 G SFP	ADP-280BR	E48W	E48W001
N1124T-ON	Ports 24 x 1 G/4 x 10 G SFP+	DPS-40AP	E18W	E18W001
N1124P-ON	Ports 24 x 1 G/4 x 10 G SFP+/ 6 x PoE+	EDPS-250BF	E18W	E18W001
N1148T-ON	Ports 48 x 1 G/4 x 10 G SFP+	DPS-60AP	E18W	E18W002
N1148P-ON	Port 48 x 1 G/4 x 10 G SFP+/ 12 x PoE+	YM-2501D	E18W	E18W002

Installation des commutateurs N1108T-ON/N1108P-ON/N1108EP-ON

Montage d'un commutateur N1108T-ON/N1108P-ON à l'aide d'un plateau tandem Dell

Le connecteur d'alimentation CA se trouve sur le panneau arrière.

- ⚠ AVERTISSEMENT:** Prenez connaissance des consignes de sécurité exposées dans le manuel *Safety and Regulatory Information (Informations relatives à la réglementation et la sécurité)* ainsi que des informations relatives à la sécurité des autres commutateurs qui se connectent au commutateur ou qui le prennent en charge.
 - ⚠ AVERTISSEMENT:** N'utilisez pas les kits de montage en rack pour fixer le commutateur sous une table ou un bureau, ni pour une installation murale.
 - ⚠ PRÉCAUTION:** Déconnectez tous les câbles du commutateur avant de continuer. Retirez tous les patins adhésifs qui ont pu être fixés sous le commutateur.
 - ⚠ PRÉCAUTION:** Si vous installez plusieurs commutateurs dans un rack, montez-les de bas en haut.
- 1 Fixez le commutateur N1108T-ON/N1108P-ON dans le kit de plateau tandem Dell (Dell Tandem Tray Kit), comme illustré dans la Figure 1-1.

Figure 1-1. Dell Tandem Tray Kit



- 2 Insérez le commutateur dans le rack de 48,26 cm (19 pouces) en veillant à ce que les orifices de montage en rack situés sur le kit s'alignent bien sur ceux du rack.
- 3 Fixez le kit sur le rack en utilisant les boulons de rack ou les écrous à cage et les écrous à cage avec rondelles (selon le type du rack). Fixez d'abord les boulons sur le bas avant de fixer ceux du haut.

Montage d'un commutateur N1108T-ON/N1108P-ON/N1108EP-ON sur un rack à deux montants à l'aide de grands supports en L

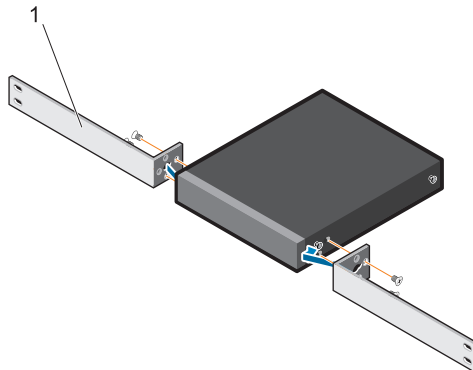
REMARQUE: Le connecteur d'alimentation CA se trouve sur le panneau arrière des commutateurs N1108T-ON/N1108P-ON. Le connecteur d'alimentation CC du commutateur N1108EP-ON se trouve au centre du panneau arrière.

REMARQUE: Le commutateur N1108EP-ON utilise un adaptateur secteur externe. Aucun kit de montage n'est disponible pour l'adaptateur secteur externe du commutateur N1108EP-ON. Lors de l'installation du commutateur N1108EP-ON, placez l'adaptateur secteur externe à l'écart du commutateur.

PRÉCAUTION: Comme le commutateur N1108EP-ON n'est pas équipé d'un ventilateur, ne placez pas l'adaptateur secteur externe sur la partie supérieure du commutateur afin d'éviter toute surchauffe.

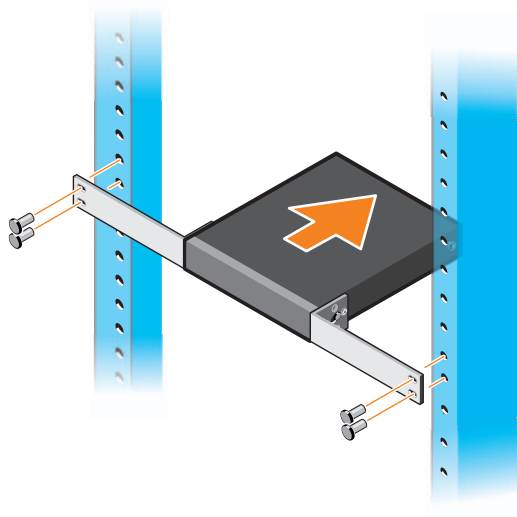
- 1 Placez le support de montage en rack fourni sur un côté du commutateur, en alignant bien les orifices de montage du commutateur avec ceux situés sur le support de montage en rack. Voir l'élément 1 dans la Figure 1-2.

Figure 1-2. Installation à l'aide d'un kit de grands supports en L



- 2 Insérez les vis fournies dans les orifices de montage en rack et serrez-les à l'aide d'un tournevis.
- 3 Répétez l'opération de l'autre côté du commutateur.
- 4 Insérez l'assemblage du commutateur et du rail dans le rack depuis l'avant du rack. Assurez-vous de bien aligner les orifices de montage en rack du commutateur avec ceux du rack.
- 5 Fixez le commutateur au rack à l'aide des vis du rack. Fixez les vis du bas avant les vis du haut. Voir la Figure 1-3.

Figure 1-3. Installation sur un rack à deux montants avec des supports en L

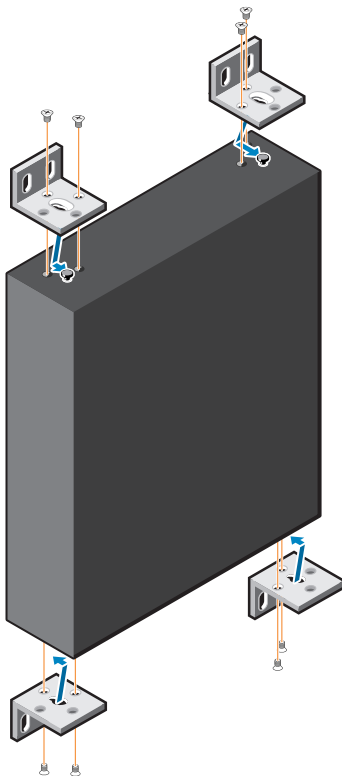


Montage mural pour tous les commutateurs N11xx-ON

- 1 Assurez-vous que l'emplacement de l'installation répond bien aux conditions suivantes :
 - La surface du mur peut soutenir le commutateur.
 - L'emplacement est ventilé afin d'éviter une augmentation de la température.

- 2 Placez le support de montage mural fourni sur un côté du commutateur, en alignant bien les orifices de montage du commutateur avec ceux situés sur le support de montage mural.
- 3 Insérez les vis fournies dans les orifices du support de montage mural et serrez-les avec un tournevis. Voir la Figure 1-4.

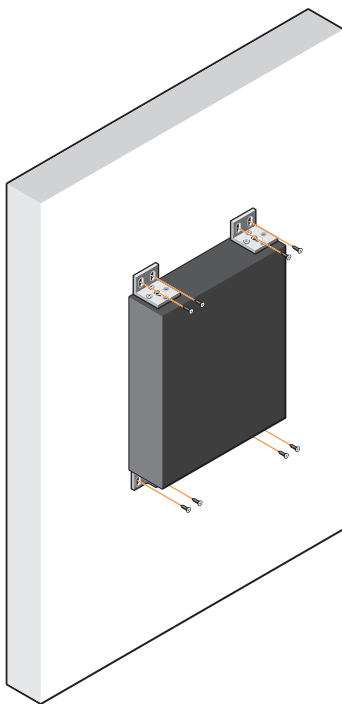
Figure 1-4. Insertion des supports de montage



- 4 Répétez le processus pour le support de montage mural situé de l'autre côté du commutateur.
- 5 Placez le commutateur sur le mur à l'endroit où il va être installé.
- 6 Marquez sur le mur l'emplacement des vis des supports du commutateur.

- 7 Percez les trous sur les emplacements que vous avez marqués et insérez les huit chevilles fournies dans les trous.
- 8 Insérez les vis fournies dans les orifices des supports de montage mural et serrez-les avec un tournevis. Voir la Figure 1-5.

Figure 1-5. Montage mural



Installation des N1124T-ON/N1124P-ON/N1148T-ON/ N1148P-ON

Montage en rack d'un commutateur N1124T-ON/ N1124P-ON/ N1148T-ON/ N1148P-ON

⚠ AVERTISSEMENT: Prenez connaissance des consignes de sécurité exposées dans le manuel *Safety and Regulatory Information (Informations relatives à la réglementation et la sécurité)* ainsi que des informations relatives à la sécurité des autres commutateurs qui se connectent au commutateur ou qui le prennent en charge.

Le connecteur d'alimentation secteur est situé sur le panneau arrière du commutateur.

Installation dans un rack

⚠ AVERTISSEMENT: N'utilisez pas les kits de montage en rack pour fixer le commutateur sous une table ou un bureau, ni pour une installation murale.

⚠ PRÉCAUTION: Déconnectez tous les câbles du commutateur avant de continuer. Retirez tous les patins adhésifs qui ont pu être fixés sous le commutateur.

⚠ PRÉCAUTION: Si vous installez plusieurs commutateurs dans un rack, montez-les de bas en haut.

- 1 Placez sur un côté du commutateur le support de fixation en rack qui est fourni, en alignant bien les orifices de montage du commutateur avec ceux situés sur le support de montage en rack. La Figure 1-6 montre où monter les supports.

Figure 1-6. Fixation des supports



- 2 Insérez les boulons fournis dans les orifices de montage en rack et serrez-les à l'aide d'un tournevis.
- 3 Répétez le processus pour le support de montage situé sur l'autre côté du commutateur.
- 4 Insérez le commutateur dans le rack de 48,26 cm (19 pouces) en faisant en sorte que les orifices de montage en rack situés sur le support s'alignent sur ceux du rack.
- 5 Fixez le support sur le rack en utilisant les boulons de rack ou les écrous à cage et les écrous à cage avec rondelles (selon le type du rack). Fixez d'abord les boulons sur le bas avant de fixer ceux du haut.



PRÉCAUTION: Assurez-vous que les boulons de rack fournis sont bien adaptés aux orifices préfiletés du rack.



REMARQUE: Assurez-vous que rien n'obstrue les orifices de ventilation.

Installation en tant que commutateur autonome



REMARQUE: Dell recommande vivement de monter le commutateur dans un rack.

Installez le commutateur sur une surface plane si vous ne l'installez pas dans un rack. La surface doit être capable de supporter le poids du commutateur et de ses câbles. Le commutateur est fourni avec quatre coussinets en caoutchouc auto-adhésifs.

- 1 Fixez les coussinets adhésifs sur les emplacements marqués en bas du commutateur.
- 2 Placez le commutateur sur une surface plane. Assurez-vous qu'il a une ventilation adéquate en laissant un espace de 5 cm (2 pouces) de chaque côté et de 13 cm (5 pouces) à l'arrière.

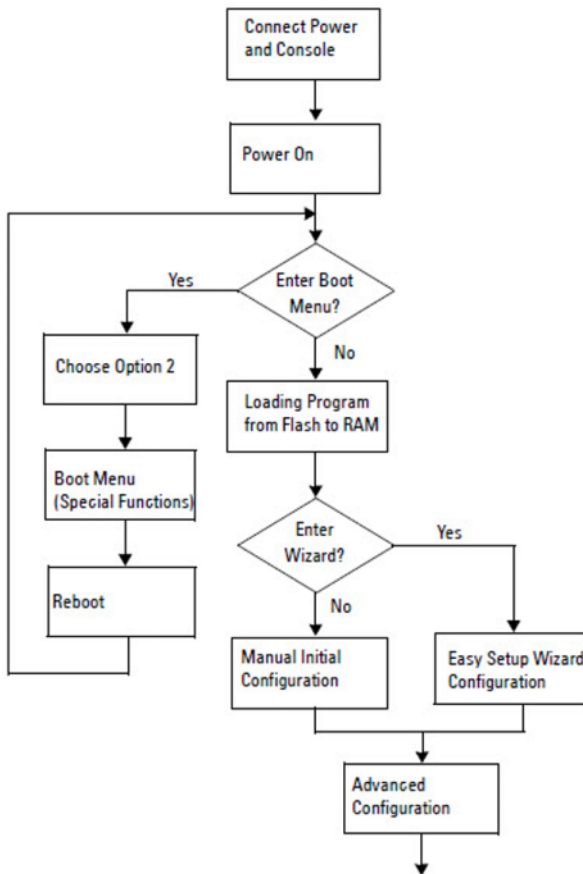
Empilage de plusieurs commutateurs N1124T-ON/ N1124P-ON/ N1148T-ON/ N1148P-ON

Vous pouvez empiler jusqu'à quatre commutateurs N1124T-ON/N1124P-ON/N1148T-ON/ N1148P-ON en vous servant des ports 10G SFP+ situés à l'avant des commutateurs. Les ports doivent être configurés pour prendre en charge l'empilage. Lorsque plusieurs commutateurs sont connectés l'un à l'autre via les ports d'empilage, ils fonctionnent comme une seule et même unité avec jusqu'à 208 ports du panneau avant. La pile fonctionne et est gérée en tant qu'une seule et même entité. Pour plus d'informations, reportez-vous au *User Configuration Guide (Guide de configuration utilisateur)* et au *CLI Reference Guide (Guide de référence de l'interface CLI)*.

Démarrage et configuration des commutateurs Série N1100-ON

Le diagramme qui suit donne une vue générale de la procédure à suivre pour effectuer la configuration initiale une fois que le commutateur a été déballé et monté.

Figure 1-7. Diagramme du flux d'installation et de configuration



Connexion d'un commutateur Série N1100-ON à un terminal

Après avoir effectué toutes les connexions externes, configurez le commutateur en le connectant à un terminal.



REMARQUE: Avant de continuer, lisez les notes de mise à jour concernant ce produit. Vous pouvez télécharger les notes de mise à jour à partir du site web du support de Dell dell.com/support.



REMARQUE: Dell vous recommande de vous procurer la version la plus récente de la documentation utilisateur, disponible sur le site dell.com/support.

Pour surveiller et configurer le commutateur via la console USB, utilisez le port de console sur le panneau avant du commutateur pour le connecter à un ordinateur exécutant un logiciel d'émulation de terminal VT100 à l'aide du câble USB fourni. Il sera peut-être nécessaire de télécharger et installer un pilote lors de la première utilisation du câble USB.

Pour utiliser le port de console, vous devez disposer des éléments suivants :

- Ordinateur compatible VT100 avec port USB exécutant un logiciel d'émulation de terminal VT100, tel que HyperTerminal®, et avec pilote USB.
- Le câble USB qui est fourni avec un connecteur USB type B pour le port de console et le connecteur USB pour l'ordinateur hôte.

Pour connecter un terminal au port de console du commutateur, procédez comme suit :

- 1 Branchez le connecteur USB de type B sur le commutateur fourni et connectez l'autre extrémité à un ordinateur exécutant un logiciel d'émulation de terminal VT100.
- 2 Configurez le logiciel d'émulation de terminal comme suit :
 - a Sélectionnez le port série approprié (par exemple, COM 1) pour établir une connexion à la console.
 - b Réglez le débit de données sur 115 200 bauds.
 - c Réglez le format de données sur 8 data bits, 1 stop bit et no parity.
 - d Définissez le contrôle de flux sur aucun.
 - e Définissez le mode d'émulation de terminal sur VT100.

- f Choisissez l'option Touches de terminal pour les touches de fonction, de direction et Ctrl. Assurez-vous que le paramètre correspond bien aux touches de terminal (et non aux touches Microsoft Windows).
- 3 Branchez le connecteur USB de type B du câble directement sur le port de console du commutateur. Le port de console du Dell Networking est situé sur le côté droit du panneau avant et est identifiable par le symbole |O|O|.



REMARQUE: L'accès de la console au gestionnaire de pile est disponible à partir de n'importe quel port de console via la CLI locale. Une seule session de console USB à la fois est possible.

Série N1100-ON Connexion d'un commutateur à une source d'alimentation



PRÉCAUTION: Prenez connaissance des consignes de sécurité exposées dans le manuel *Safety and Regulatory Information (Informations relatives à la réglementation et la sécurité)* ainsi que des informations relatives à la sécurité des autres commutateurs qui se connectent au commutateur ou qui le prennent en charge.

Les modèles N1108T-ON et N1108P-ON possèdent un bloc d'alimentation interne. La prise d'alimentation se trouve sur le panneau arrière. Le modèle N1108EP-ON utilise un adaptateur secteur CC externe. L'adaptateur secteur CC externe

Connexion du câble d'alimentation secteur et CC

- 1 Assurez-vous que le port de console du commutateur est bien connecté à un ordinateur exécutant un émulateur de terminal VT100 via un câble USB-USB de type B.
- 2 À l'aide d'un câble d'alimentation standard de 1,5 m (5 pieds) avec mise à la terre, branchez le câble d'alimentation sur le réceptacle principal secteur situé sur le panneau arrière.

Les commutateurs de modèle PoE disposent d'un câble d'alimentation résistant doté d'un connecteur avec encoche marquée pour le réceptacle d'alimentation du commutateur. L'utilisation de ce type de câble est obligatoire pour les commutateurs compatibles PoE.

- 3 Branchez le câble d'alimentation sur une prise de courant CA (secteur) mise à la terre.

Démarrage du commutateur Série N1100-ON

Lorsque le système est mis sous tension alors que le terminal local est déjà connecté, le commutateur effectue un POST (auto-test de démarrage). Ce test s'exécute chaque fois que le commutateur est initialisé et il vérifie les composants afin de déterminer si le commutateur est entièrement opérationnel avant de démarrer complètement. Si le test détecte un problème critique, le processus s'arrête. Si le POST est exécuté avec succès, un micrologiciel valide est chargé dans la RAM. Les messages POST s'affichent sur le terminal et indiquent si le test a réussi ou échoué. Le processus de démarrage dure environ 60 secondes.

Vous pouvez appeler le menu **Boot (Amorçage)** après la première partie du POST. À partir du menu **Boot (Amorçage)**, vous pouvez effectuer des tâches de configuration, comme la restauration des paramètres par défaut du système, l'activation de l'image de sauvegarde ou la récupération d'un mot de passe. Pour plus d'informations sur les fonctions du menu **Boot (Amorçage)**, reportez-vous au *CLI Reference Guide (Guide de référence de l'interface CLI)*.

Réalisation de la configuration initiale du Série N1100-ON

La procédure de configuration initiale présuppose les éléments suivants :

- Le commutateur Dell Networking n'a jamais été configuré auparavant.
- Le commutateur Dell Networking a bien démarré.
- La connexion à la console a été établie et l'invite de l'**Assistant Dell d'installation facile** est affichée sur l'écran d'un PC exécutant un logiciel d'émulation de terminal.

La configuration initiale du commutateur est effectuée via le port de console. Après la configuration initiale, vous pourrez gérer le commutateur à partir du port de la console déjà connectée, ou bien à distance via une interface définie lors de la configuration initiale.



REMARQUE: Le commutateur n'est pas configuré avec des informations par défaut (nom d'utilisateur, mot de passe ou adresse IP).

Avant de procéder à la configuration initiale du commutateur, demandez les informations suivantes à votre administrateur réseau :

- L'adresse IP attribuée à l'interface de gestion.
- Le masque de sous-réseau IP du réseau.
- L'adresse IP de la passerelle par défaut de l'interface de gestion.

Ces paramètres sont nécessaires pour permettre une gestion à distance du commutateur via Telnet (client Telnet) ou HTTP (navigateur web).

Activation de la gestion à distance

Sur les commutateurs Série N1100-ON, vous pouvez utiliser l'un des ports de commutateur du panneau avant pour la gestion intrabande. Par défaut, tous les ports intrabande sont membres du VLAN 1.

L'**Assistant Dell d'installation facile** inclut des invites pour configurer les informations du réseau pour l'interface du VLAN 1 sur les commutateurs Série N1100-ON. Vous pouvez attribuer une adresse IP statique et un masque de sous-réseau ou activer DHCP et autoriser un serveur DHCP de réseau à affecter les informations.

Reportez-vous au *CLI Reference Guide (Guide de référence de l'interface CLI)* pour les commandes de configuration des informations réseau.

Procédure de configuration initiale

Effectuez la configuration initiale à l'aide de l'Assistant Dell d'installation facile ou en utilisant la CLI. L'Assistant démarre automatiquement si le fichier de configuration du commutateur est vide. Vous pouvez quitter l'Assistant à tout moment en entrant [Ctrl+Z], mais tous les paramètres configurés seront ignorés et le commutateur utilisera les valeurs par défaut.



REMARQUE: Si vous n'exécutez pas l'Assistant Dell d'installation facile ou si vous ne répondez pas dans les 60 secondes à l'invite initiale de l'Assistant de configuration facile, le commutateur passe en mode d'interface de ligne de commande (CLI). Vous devez réinitialiser le commutateur avec une configuration de démarrage vide afin d'exécuter à nouveau l'Assistant Dell d'installation facile.

Pour plus d'informations sur l'exécution de la configuration initiale à l'aide de la CLI, reportez-vous au *Guide de référence de l'interface CLI*. Ce *Getting Started Guide (Guide de mise en route)* explique comment utiliser l'Assistant Dell d'installation facile pour la configuration initiale du commutateur.

L'Assistant effectue les opérations suivantes sur le commutateur :

- Il met en place le compte utilisateur privilégié initial et le mot de passe valide correspondant. L'Assistant configure un seul compte utilisateur privilégié pendant la configuration.
- Il permet la connexion à l'interface CLI et l'accès HTTP pour utiliser le paramètre d'authentification local uniquement.
- Il définit l'adresse IP pour l'interface de routage VLAN 1 dont tous les ports intrabande sont membres.
- Il définit la chaîne de communauté SNMP qui doit être utilisée par le gestionnaire SNMP sur une adresse IP donnée. Ignorez cette étape si le commutateur n'est pas géré via SNMP.
- Il vous permet de spécifier l'adresse IP du système de gestion du réseau ou autorise l'accès de gestion à partir de toutes les adresses IP.
- Il configure l'adresse IP de la passerelle par défaut pour le VLAN 1.

Exemple de session

Cette section décrit une session **Assistant Dell d'installation facile**. Les valeurs suivantes sont utilisées dans la session :

- La chaîne de communauté SNMP à utiliser est **public**.
- L'adresse IP du système de gestion du réseau (NMS) est **10.1.2.100**.
- Le nom d'utilisateur est **admin** et le mot de passe **admin123**.
- L'adresse IP de l'interface de routage VLAN 1 est **10.1.1.200** avec un masque de sous-réseau **255.255.255.0**.
- La passerelle par défaut est **10.1.1.1**.

L'Assistant configure les valeurs initiales de la manière décrite ci-dessus. Lorsque l'Assistant a terminé, le commutateur est configuré de la façon suivante :

- SNMPv2 est activé et la chaîne de communauté est définie comme indiqué ci-dessus. SNMPv3 est désactivé par défaut.
- Le compte utilisateur admin est configuré comme indiqué ci-dessus.
- Un système de gestion du réseau est configuré. À partir de la station de gestion, vous pouvez accéder aux interfaces SNMP, HTTP et CLI. Vous pouvez également décider d'autoriser toutes les adresses IP à accéder à ces interfaces de gestion en sélectionnant l'adresse IP (0.0.0.0).
- Une adresse IP est configurée pour l'interface de routage VLAN 1.
- Une adresse de passerelle par défaut est configurée.



REMARQUE: Dans l'exemple suivant, les options ou valeurs utilisateur ou par défaut sont encadrées de crochets []. Si vous appuyez sur <Entrée> sans options définies, la valeur acceptée est la valeur par défaut. Le texte d'aide est entre parenthèses.

Exemple de la console Assistant Dell d'installation facile

L'exemple suivant contient la séquence d'invites et de réponses d'un exemple de session Assistant Dell d'installation facile avec les valeurs indiquées plus haut.

Au démarrage du commutateur après le POST, la boîte de dialogue suivante s'affiche :

```
Unit 1 - Waiting to select management unit)>
```

```
_____Dell SupportAssist EULA_____
```

```
I accept the terms of the license agreement. You can reject the license agreement by configuring this command 'eula-consent support-assist reject'.
```

```
By installing SupportAssist, you allow Dell to save your contact information (e.g. name, phone number and/or email address) which would be used to provide technical support for your Dell products and services Dell may use the information for providing recommendations to improve your IT infrastructure. Dell SupportAssist also collects and stores machine diagnostic information, which may include but is not limited to configuration information, user supplied contact information, names of data volumes, IP addresses, access control lists, diagnostics & performance information, network configuration information, host/server configuration & performance information and related data (Collected Data) and transmits this information to Dell. By downloading SupportAssist and agreeing to be bound by these terms and the Dell end user license agreement, available at: http://www.dell.com/aeula, you agree to allow Dell to provide remote monitoring services of your IT environment and you give Dell the right to collect the Collected Data in accordance with Dell's Privacy Policy, available at: http://www.dell.com/privacypolicycountryspecific, in order to enable the performance of all of the various functions of SupportAssist during your entitlement to
```

receive related repair services from Dell. You further agree to allow Dell to transmit and store the Collected Data from SupportAssist in accordance with these terms. You agree that the provision of SupportAssist may involve international transfers of data from you to Dell and/or to Dell's affiliates, subcontractors or business partners. When making such transfers, Dell shall ensure appropriate protection is in place to safeguard the Collected Data being transferred in connection with SupportAssist. If you are downloading SupportAssist on behalf of a company or other legal entity, you are further certifying to Dell that you have appropriate authority to provide this consent on behalf of that entity. If you do not consent to the collection, transmission and/or use of the Collected Data, you may not download, install or otherwise use SupportAssist.

AeroHive HiveManager NG EULA

This switch includes a feature that enables it to work with HiveManager (an optional management suite), by sending the switch's service tag number and IP Address to HiveManager to authenticate your entitlement to use HiveManager. If you wish to disable this feature, you should run command 'eula-consent hiveagent reject' immediately upon powering up the switch for the first time, or at any time thereafter.

Applying Global configuration, please wait...

Welcome to Dell Easy Setup Wizard

The setup wizard guides you through the initial switch configuration, and gets you up and running as quickly as possible. You can skip the setup wizard, and enter CLI mode to manually configure the switch. You must respond to the next question to run the setup wizard within 60 seconds, otherwise the system will continue

with normal operation using the default system configuration. Note: You can exit the setup wizard at any point by entering [ctrl+z].

Would you like to run the setup wizard (you must answer this question within 60 seconds)? [Y/N] **y**

Step 1:

The system is not set up for SNMP management by default. To manage the switch using SNMP (required for Dell Network Manager) you can

- . Set up the initial SNMP version 2 account now.
- . Return later and set up other SNMP accounts. (For more information on setting up an SNMP version 1 or 3 account, see the user documentation).

Would you like to set up the SNMP management interface now? [Y/N] **y**

To set up the SNMP management account you must specify the management system IP address and the "community string" or password that the particular management system uses to access the switch. The wizard automatically assigns the highest access level [Privilege Level 15] to this account. You can use Dell Network Manager or other management interfaces to change this setting, and to add additional management system information later. For more information on adding management systems, see the user documentation.

To add a management station:

Please enter the SNMP community string to be used.

[public]: **public**



REMARQUE: S'il est configuré, l'accès maximal disponible pour l'interface de gestion SNMP est défini comme niveau d'accès par défaut. Initialement, seul SNMPv2 sera activé. SNMPv3 est désactivé jusqu'à ce que vous configuriez son accès de sécurité (par exemple, ID du moteur, vue, etc.).

Please enter the IP address of the Management System (A.B.C.D) or wildcard (0.0.0.0) to manage from any Management Station. [0.0.0.0]: **10.1.2.100**

Step 2:

Now we need to set up your initial privilege (Level 15) user account. This account is used to login to the CLI and Web interface. You may set up other accounts and change privilege levels later. For more information on setting up user accounts and changing privilege levels, see the user documentation.

To set up a user account:

```
Please enter the user name. [root]:admin
Please enter the user password: *****
Please reenter the user password: *****
```

Step 3:

Next, an IP address is set up on the VLAN 1 routing interface.

You can use the IP address to access the CLI, Web interface, or SNMP interface of the switch.

To access the switch through any Management Interface you can

- . Set up the IP address for the Management Interface.
- . Set up the default gateway if IP address is manually configured on the routing interface.

Step 4:

```
Would you like to set up the VLAN1 routing interface now? [Y/N] y
```

```
Please enter the IP address of the device (A.B.C.D) or enter "DHCP" (without the quotes) to automatically request an IP address from the network DHCP server:  
10.1.1.200
```

```
Please enter the IP subnet mask (A.B.C.D or /nn):  
255.255.255.0
```

Step 5:

Finally, set up the default gateway. Please enter the IP address of the gateway from which this network is reachable. [0.0.0.0]: **10.1.1.1**

This is the configuration information that has been collected:

SNMP Interface = "public"@10.1.2.100

User Account setup = admin

Password = *****

VLAN1 Router Interface IP = 10.1.1.200 255.255.255.0

Default Gateway = 10.1.1.1

Step 6:

If the information is correct, please enter (Y) to save the configuration and copy the settings to the start-up configuration file. If the information is incorrect, enter (N) to discard the configuration and restart the wizard: [Y/N] **y**

Thank you for using the Dell Easy Setup Wizard. You will now enter CLI mode.

Applying Interface configuration, please wait...

Étapes suivantes

Après avoir terminé la configuration initiale décrite dans cette section, connectez l'un des ports de commutateur du panneau avant sur un réseau de production pour une gestion intrabande à distance.

Si vous avez spécifié DHCP pour l'adresse IP de l'interface de gestion VLAN 1, l'interface obtiendra son adresse IP à partir d'un serveur DHCP du réseau. Pour découvrir l'adresse IP affectée dynamiquement, utilisez la connexion de port de console pour émettre la commande suivante :

- Pour l'interface de routage VLAN 1, entrez **show ip interface**.

Pour accéder à l'interface d'administrateur de commutateur Dell OpenManage, entrez l'adresse IP de l'interface de gestion VLAN 1 dans le champ d'adresse d'un navigateur web. Pour l'accès de la gestion à distance à l'interface CLI, entrez l'adresse IP de l'interface de gestion VLAN 1 dans un client Telnet ou SSH. Vous pouvez également continuer à utiliser le port de console de l'interface de ligne de commande locale pour accéder au commutateur.

Les commutateurs Série N1100-ON prennent en charge les fonctions de commutation de base telles que les VLAN et le protocole spanning tree. Utilisez l'interface de gestion via le web ou via l'interface CLI pour configurer les caractéristiques requises par votre réseau. Pour plus d'informations sur la configuration des fonctionnalités du commutateur, reportez-vous au *User Configuration Guide (Guide de configuration utilisateur)* ou au *CLI Reference Guide (Guide de référence de l'interface CLI)* disponibles sur le site dell.com/support.

Conformité avec les organismes

Les commutateurs N1108T-ON, N1108P-ON, N1108EP-ON, N1124T-ON, N1124P-ON, N1148T-ON et N1148P-ON sont conformes aux exigences des organismes et de sécurité suivantes :

Déclaration de la USA Federal Communications Commission (FCC)

Cet équipement a été testé et déclaré conforme aux limites des appareils numériques de classe A définies à l'alinéa 15 du règlement de la FCC. Ces limites sont conçues pour fournir une protection raisonnable contre les interférences nuisibles lorsque l'équipement est utilisé dans un environnement commercial. Cet équipement génère, utilise et peut émettre de l'énergie de radiofréquence. S'il n'est pas installé et utilisé conformément aux instructions, cet équipement peut causer des interférences nuisibles aux communications radio. L'utilisation de cet équipement dans une zone résidentielle peut créer des interférences nuisibles, auquel cas les utilisateurs devront prendre les mesures nécessaires pour corriger ces interférences à leurs propres frais.

Des câbles et des connecteurs correctement blindés et mis à la terre doivent être utilisés afin de respecter les limites d'émissions établies par la FCC. Dell EMC n'est pas responsable des interférences nuisibles à la réception radio ou télévision causées par des câbles et des connecteurs autres que ceux recommandés, ou par des modifications ou adaptations non autorisées apportées à l'équipement. Toute adaptation ou modification non autorisée pourrait annuler l'autorisation d'utilisation de cet équipement par l'utilisateur.

Cet appareil est conforme à l'alinéa 15 de la réglementation de la FCC. Le fonctionnement est soumis aux deux conditions suivantes : (1) cet appareil ne peut causer d'interférences nuisibles et (2) il doit accepter toute interférence reçue, notamment celles pouvant être susceptibles de perturber son fonctionnement.

Figure 1-8. Déclaration du ministère canadien des Communications

Industry Canada Class A emission compliance statement

This Class A digital apparatus complies with Canadian ICES-003.

Avis de conformité à la réglementation d'Industrie Canada

Cet appareil numérique de la classe A est conforme à la norme NMB-003 du Canada.

Normes de sécurité et certificats de conformité des organismes

- IEC 62368-1, 2e édition
- CUS UL 60950-1, 2e édition
 - Répond ou dépasse les exigences des tests de rigidité diélectrique et de continuité de la mise à la terre conformément au standard UL 60950-1.
- AS/NZS 60950
- CSA 60950-1-03, 2e édition
- EN 60950-1, 2e édition
- EN 60825-1, 1re édition
- EN 60825-1 Sécurité des appareils à laser - Partie 1 : classification des matériels, prescriptions et guide de l'utilisateur
- EN 60825-2 Sécurité des appareils à laser - Partie 2 : sécurité des systèmes de télécommunication par fibres optiques
- Réglementations FDA 21 CFR 1040.10 et 1040.11
- IEC 60950-1, 2e édition, y compris tous les écarts nationaux et les différences de groupe

Compatibilité électromagnétique

Émissions

- International : CISPR 32, classe A
- Australie/Nouvelle-Zélande : AS/NZS CISPR 32, classe A
- Canada : ICES-003, numéro 4, classe A
- Europe : EN55032:2015 (CISPR 32), classe A

- EN55032
- Japon : VCCI, classe A
- Corée : KN32, classe A
- Taïwan : CNS13438, classe A
- États-Unis : FCC CFR47, alinéa 15, sous-partie B, classe A

Immunité

- EN 300 386 : Compatibilité électromagnétique pour l'équipement réseau
- EN 55024
- EN 61000-3-2 : Limites pour les émissions de courant harmonique
- EN 61000-3-3 : Limitation des variations de tension, des fluctuations de tension et du papillotement
- EN 61000-4-2 ESD
- EN 61000-4-3 : Essai d'immunité aux champs électromagnétiques rayonnés
- EN 61000-4-4 : Essais d'immunité aux transitoires électriques rapides en salves
- EN 61000-4-5 : Essais d'immunité aux ondes de choc
- EN 61000-4-6 : Immunité aux perturbations conduites, induites par les champs radioélectriques

Recyclage et disposition du produit

Vous devez recycler ou mettre au rebut ce système conformément aux réglementations locales et nationales en vigueur. Dell EMC encourage les propriétaires d'équipement informatique à recycler de manière responsable leur matériel lorsqu'il n'est plus utilisé. Dell EMC propose un large éventail de programmes et de services de retour de produits dans plusieurs pays pour aider les propriétaires à recycler leur équipement informatique.

Switches Dell
Comutadores N1108T-ON/
N1108P-ON/N1108EP-ON/
N1124T-ON/N1124P-ON/
N1148T-ON/N1148P-ON

Guia de Noções Básicas



Notas, avisos e advertências



NOTA: uma NOTA contém informações importantes para ajudar você a usar melhor os recursos do seu computador.



AVISO: Um AVISO indica possíveis danos ao hardware ou perda de dados e ensina como evitar o problema.



ADVERTÊNCIA: Uma ADVERTÊNCIA indica possíveis danos à propriedade, risco de lesões corporais ou mesmo risco de vida.



Aviso sobre a bateria de lítio:

- há perigo de explosão se a bateria for trocada incorretamente. Troque-a apenas por baterias do mesmo tipo ou de tipo equivalente. Descarte as baterias de acordo com as instruções do fabricante.
- O descarte da bateria no fogo, em um forno quente, um dispositivo de esmagamento mecânico ou corte pode resultar em uma explosão.
- Se a bateria for deixada em um ambiente extremamente quente, isso pode resultar em vazamento de líquido inflamável, gás ou em uma explosão.
- Se a bateria for submetida à pressão de ar extremamente baixa, isso pode resultar em vazamento de líquido inflamável, gás ou em uma explosão.
- O dispositivo só pode ser usado em um local fixo, como um laboratório ou uma sala de máquinas. Ao instalar o dispositivo, certifique-se de que o aterramento da tomada seja verificado por uma pessoa especializada.

© 2019 Dell Inc. ou suas subsidiárias. Todos os direitos reservados. Este produto é protegido por leis de direitos autorais e de propriedade intelectual internacionais e dos EUA. Dell e o logotipo Dell são marcas comerciais da Dell Inc. nos Estados Unidos e/ou em outras jurisdições. Todas as outras marcas e os nomes aqui mencionados podem ser marcas comerciais de suas respectivas empresas.

Modelos normativos: E17W e E18W

Maio de 2019 N/P NTHM9 Rev. A01

Índice

1	Introdução	67
	Visão geral do hardware Série N1100-ON	67
	Consumo de energia de comutadores PoE Série N1100-ON.	67
	Sistema de ventilação	68
	Resumo do modelo Série N1100-ON.	69
2	Instalação do N1108T-ON/N1108P-ON/ N1108EP-ON	70
	Montar um comutador N1108T-ON/N1108P-ON usando a bandeja em série Dell.	70
	Montar um N1108T-ON/N1108P-ON/N1108EP-ON em um rack de dois postes usando suportes em L grandes.	71
	Montar todos os comutadores N11xx-ON em uma parede.	72
3	Instalação dos modelos N1124T-ON/ N1124P-ON/N1148T-ON/ N1148P-ON . . .	75
	Montagem em rack dos comutadores N1124T-ON/ N1124P-ON/ N1148T-ON/ N1148P-ON	75
	Como instalar em um rack	75
	Como instalar como um comutador autônomo. . .	76
	Empilhar vários comutadores N1124T-ON/ N1124P-ON/ N1148T-ON/ N1148P-ON	76

4	Iniciar e configurar o computador Série N1100-ON	77
	Conectar um computador Série N1100-ON em um terminal.	78
	Série N1100-ONConectar um computador a uma fonte de alimentação.	79
	Conexão de alimentação CA e CC	79
	Inicializar o computador Série N1100-ON	80
	Executar a configuração inicial do Série N1100-ON	81
	Habilitar o gerenciamento remoto	81
	Procedimento de configuração inicial	82
	Sessão de exemplo	83
	Exemplo do console Assistente de configuração fácil Dell	84
	Próximos passos	88
5	Conformidade com a Entidade.	90

Introdução

Este documento fornece informações básicas sobre os comutadores Switches Dell Série N1100-ON, inclusive a forma de instalar o comutador e executar a configuração inicial. Para obter informações sobre como configurar e monitorar os recursos do comutador, consulte o *Guia de configuração usuário*, que está disponível no site de suporte da Dell em dell.com/support. Consulte o site de suporte para obter as atualizações mais recentes de documentação e firmware.



NOTA: Recomenda-se aos administradores dos comutadores manter os comutadores Switches Dell com a versão mais recente do sistema operacional Switches Dell(DNOS). O Switches Dell aprimora continuamente os recursos e as funções do DNOS com base no feedback que recebemos de você, o cliente. Para a infraestrutura crítica, o pré-teste do novo lançamento em uma parte não crítica da rede é recomendado para verificar a configuração de rede e operação com a nova versão do DNOS.

Visão geral do hardware Série N1100-ON

Esta seção contém informações sobre as características do dispositivo e configurações modulares de hardware do comutador Switches Dell Série N1100-ON.

NOTA: O comutador N1108EP-ON utiliza um adaptador de energia externo. Não há um kit de montagem disponível para o adaptador de energia externo N1108EP-ON. Durante a instalação do N1108EP-ON, coloque o adaptador de energia externo para fora do comutador.

Consumo de energia de comutadores PoE Série N1100-ON

A Tabela 1-1 descreve o consumo de energia dos computadores PoE Série N1100-ON. O orçamento de energia PoE é 60W para o N1108P-ON, 123W para o N1108EP-ON, 185W para o N1124P-ON e 370W para o N1148P-ON.

Tabela 1-1. Consumo de energia de comutadores PoE Série N1100-ON

Modelo	Tensão de entrada	Configuração de fonte de alimentação	Consumo de corrente contínua máxima (A)	Potência contínua máxima (W)
N1108P-ON	100V/60Hz	PSU principal	0,95A	88,64W
	110V/60Hz	PSU principal	0,87A	88,43W
	120V/60Hz	PSU principal	0,80A	88,22W
	220V/50Hz	PSU principal	0,49A	89,28W
	240V/50Hz	PSU principal	0,45A	89,70W

Modelo	Tensão de entrada	Configuração de fonte de alimentação	Consumo de corrente contínua máxima (A)	Potência contínua máxima (W)
N1108EP-ON	100V/60Hz	Adaptador de energia externo 54VCC	1,62A	157W
	110V/60Hz	Adaptador de energia externo 54VCC	1,47A	157W
	120V/60Hz	Adaptador de energia externo 54VCC	1,35A	157W
	220V/50Hz	Adaptador de energia externo 54VCC	0,74A	157W
	240V/50Hz	Adaptador de energia externo 54VCC	0,67A	157W
N1124P-ON	100V/60Hz	PSU principal	2,66A	260,66W
	110V/60Hz	PSU principal	2,38A	257,95W
	120V/60Hz	PSU principal	2,16A	256,27W
	220V/50Hz	PSU principal	1,18A	250,52W
	240V/50Hz	PSU principal	1,10A	251,25W
N1148P-ON	100V/60Hz	PSU principal	4,78A	476,03W
	110V/60Hz	PSU principal	4,32A	472,64W
	120V/60Hz	PSU principal	3,95A	470,58W
	220V/50Hz	PSU principal	2,14A	459,37W
	240V/50Hz	PSU principal	1,97A	459,06W

Sistema de ventilação

Um ventilador resfria os comutadores N1108T-ON/N1108P-ON e dois ventiladores resfriam os comutadores N1024T-ON/N1024P-ON/N1048T-ON/N1048P-ON. Os ventiladores não podem ser substituídos em campo. O N1108EP-ON é um comutador sem ventilador.

Resumo do modelo Série N1100-ON

Tabela 1-2. Números normativos de comutador Série N1100-ON

Nome do modelo de comercialização (MMN)	Descrição	Fonte de alimentação (PSU)	Número de modelo normativo (RMN)	Número do tipo normativo (RTN)
N1108T-ON	10 portas SFP de 1G/2 portas SFP de 1G	DPS-24GP	E17W	E17W001
N1108P-ON	10 portas SFP de 1 G/2 portas SFP de 1 G/2 portas PoE+	DPS-80AP/ DPS-24GP	E17W	E17W001
N1108EP-ON	8 Portas de 1G PoE+/2 Portas de 1G PD/2 portas de 1G SFP	ADP-280BR	E48W	E48W001
N1124T-ON	24 portas SFP+ de 1G/4 portas SFP+ de 10G	DPS-40AP	E18W	E18W001
N1124P-ON	24 portas SFP+ de 1G/4 portas SFP+ de 10G/6 portas PoE+	EDPS-250BF	E18W	E18W001
N1148T-ON	48 portas SFP+ de 1G/4 portas SFP+ de 10G	DPS-60AP	E18W	E18W002
N1148P-ON	48 portas SFP+ de 1G/4 portas SFP+ de 10G/12 portas PoE+	YM-2501D	E18W	E18W002

Instalação do N1108T-ON/N1108P-ON/N1108EP-ON

Montar um comutador N1108T-ON/N1108P-ON usando a bandeja em série Dell

O conector de alimentação CA está no painel traseiro.

- ⚠ ADVERTÊNCIA:** Leia as informações de segurança em *Informações sobre segurança e regulamentações*, bem como as informações de segurança para outros comutadores que se conectam ou suportam o comutador.
 - ⚠ ADVERTÊNCIA:** Não use kits de montagem em rack para sustentar o comutador sob mesas ou estantes ou para fixá-lo na parede.
 - ⚠ AVISO:** Desconecte todos os cabos do comutador antes de prosseguir. Remova todos os suportes autoadesivos da parte inferior do comutador, caso estejam fixados.
 - ⚠ AVISO:** Quando montar vários comutadores em um rack, faça-o de baixo para cima.
- 1 Prenda o comutador N1108T-ON/N1108P-ON no kit da bandeja em série Dell, conforme exibido na Figura 1-1.

Figura 1-1. Kit de bandeja em série Dell



- 2 Insira o comutador no rack de 48,26 cm (19") rack, garantindo de que os orifícios de montagem de rack no kit se alinhem com os orifícios no rack.

- 3 Fixe o kit no rack com parafusos de rack ou porcas gaiola e parafusos de porca gaiola com arruelas (dependendo do tipo de rack que você possui). Aperte os parafusos na parte inferior antes de apertar os parafusos na parte superior.

Montar um N1108T-ON/N1108P-ON/N1108EP-ON em um rack de dois postes usando suportes em L grandes

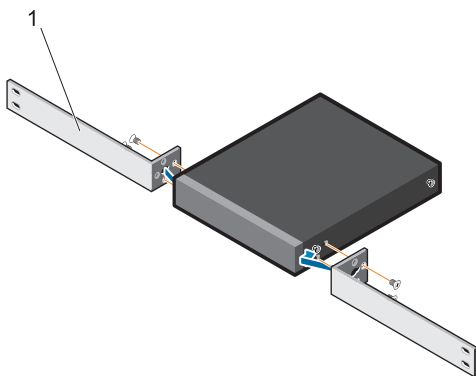
NOTA: O conector de alimentação CA está no painel traseiro dos comutadores N1108T-ON/N1108P-ON. O conector de alimentação CC do N1108EP-ON fica no centro do painel traseiro.

NOTA: O comutador N1108EP-ON utiliza um adaptador de energia externo. Não há um kit de montagem disponível para o adaptador de energia externo N1108EP-ON. Durante a instalação do N1108EP-ON, coloque o adaptador de energia externo para fora do comutador.

AVISO: Como o N1108EP-ON é um comutador sem ventilador, não coloque o adaptador de energia externo sobre o comutador para evitar o superaquecimento.

- 1 Coloque o suporte para montagem em rack fornecido em um lado do comutador, garantindo que os orifícios de montagem no comutador estejam alinhados com os orifícios de montagem no suporte de montagem em rack. Consulte o item 1 na Figura 1-2.

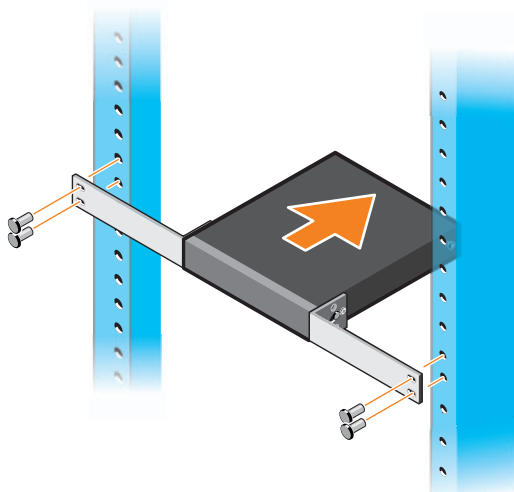
Figura 1-2. Instalação com o uso do kit de suporte em L grande



- 2 Insira os parafusos fornecidos nos orifícios de montagem em rack e aperte-os com uma chave de fenda.

- 3 Repita o processo no outro lado do comutador.
- 4 Insira o comutador e o conjunto do trilho no rack pela parte frontal do rack. Certifique-se de que os orifícios de montagem em rack no comutador estejam alinhados com os orifícios de montagem no rack.
- 5 Prenda o comutador ao rack com os parafusos do rack. Aperte o par inferior dos parafusos antes do par superior dos parafusos. Consulte Figura 1-3.

Figura 1-3. Instalação em um rack de dois postes com suporte em L

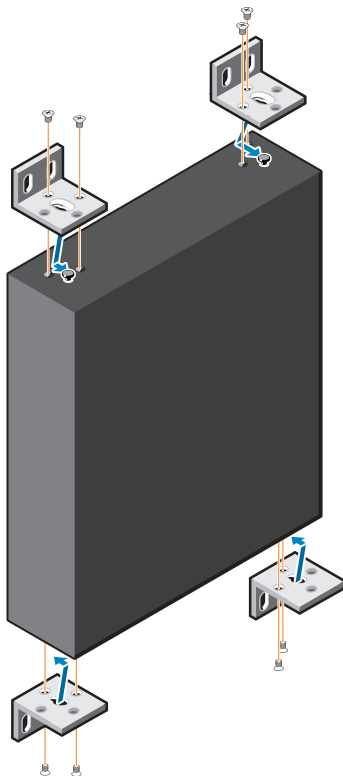


Montar todos os comutadores N11xx-ON em uma parede

- 1 Certifique-se de que o local de montagem atenda aos seguintes requisitos:
 - A superfície da parede pode ser compatível com o comutador.
 - O local é ventilado para evitar superaquecimento.
- 2 Coloque o suporte para montagem em parede fornecido em um lado do comutador, certificando-se de que os orifícios de montagem do comutador estejam alinhados com os orifícios de montagem do suporte de montagem em parede.

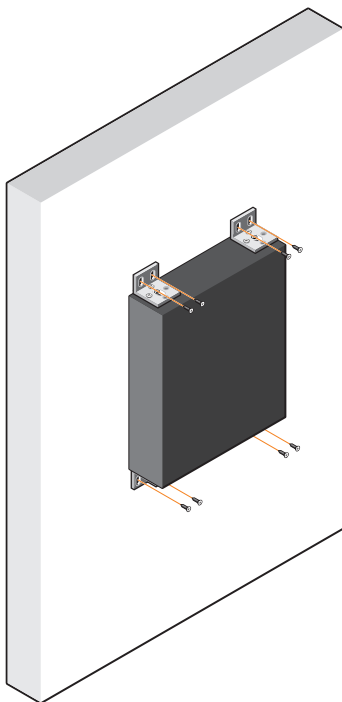
- 3 Insira os parafusos fornecidos nos orifícios do suporte de montagem em parede e aperte-os com uma chave de fenda. Consulte Figura 1-4.

Figura 1-4. Inserir suportes de montagem



- 4 Repita o processo para instalar o suporte de montagem em parede no outro lado do comutador.
- 5 Coloque o comutador na parede no local onde ele está sendo instalado.
- 6 Marque os locais na parede onde os parafusos que prenderão o comutador deverão ser preparados.
- 7 Nos locais marcados, analise os orifícios e coloque todas as oito escoras fornecidas nos orifícios.
- 8 Insira os parafusos fornecidos nos orifícios do suporte de montagem em parede e aperte-os com uma chave de fenda. Consulte Figura 1-5.

Figura 1-5. Montagem em uma parede



Instalação dos modelos N1124T-ON/ N1124P-ON/N1148T-ON/ N1148P-ON

Montagem em rack dos comutadores N1124T-ON/ N1124P-ON/ N1148T-ON/ N1148P-ON

⚠ ADVERTÊNCIA: Leia as informações de segurança em *Informações sobre segurança e regulamentações*, bem como as informações de segurança para outros comutadores que se conectam ou suportam o comutador.

O conector de alimentação CA está no painel traseiro do comutador.

Como instalar em um rack

⚠ ADVERTÊNCIA: Não use kits de montagem em rack para sustentar o comutador sob mesas ou estantes ou para fixá-lo na parede.

⚠ AVISO: Desconecte todos os cabos do comutador antes de prosseguir. Remova todos os suportes autoadesivos da parte inferior do comutador, caso estejam fixados.


⚠ AVISO: Quando montar vários comutadores em um rack, faça-o de baixo para cima.


- 1 Coloque o suporte para montagem em rack fornecido em um lado do comutador, garantindo que os orifícios de montagem no comutador estejam alinhados com os orifícios de montagem no suporte de montagem em rack. A Figura 1-6 ilustra onde montar os suportes.

Figura 1-6. Como fixar os suportes




- 2 Insira os parafusos fornecidos nos orifícios de montagem em rack e aperte-os com uma chave de fenda.
- 3 Repita o processo para instalar o suporte de montagem em rack no outro lado do comutador.
- 4 Insira o comutador no rack de 48,26 cm (19") rack, garantindo de que os orifícios de montagem de rack no suporte se alinhem com os orifícios no rack.
- 5 Fixe o suporte no rack com parafusos de rack ou porcas gaiola e parafusos de porca gaiola com arruelas (dependendo do tipo de rack que você possui). Aperte os parafusos na parte inferior antes de apertar os parafusos na parte superior.

 **AVISO: Certifique-se de que os parafusos do rack fornecidos se encaixem nos orifícios pré-rosqueados do rack.**

 **NOTA:** Certifique-se de que os orifícios de ventilação não estejam obstruídos.

Como instalar como um comutador autônomo

 **NOTA:** A Dell recomenda montar o comutador em um rack.

Instale o comutador em uma superfície plana se não for instalá-lo em um rack. A superfície deve ser capaz de suportar o peso do comutador e de seus cabos. O comutador é fornecido com quatro suportes de borracha autoadesivos.

- 1 Fixe os suportes de borracha auto-adesivos nos locais marcados no fundo do comutador.
- 2 Coloque o comutador em uma superfície plana. Certifique-se de que ele tenha ventilação adequada, deixando 5 cm (2 polegadas) em cada lado e 13 cm (5 polegadas) na parte traseira.

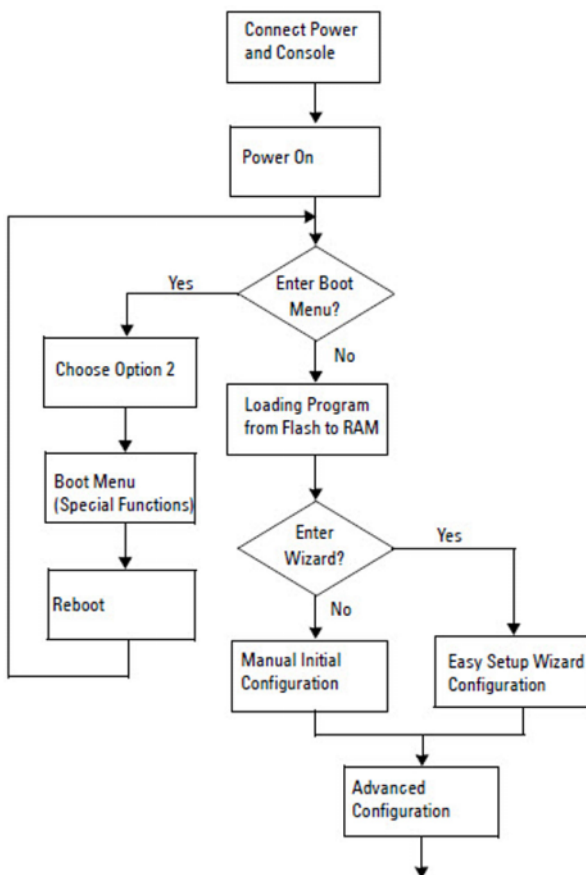
Empilhar vários comutadores N1124T-ON/ N1124P-ON/ N1148T-ON/ N1148P-ON

É possível empilhar até quatro comutadores N1124T-ON/N1124P-ON/N1148T-ON/N1148P-ON usando portas SFP+ de 10G na parte frontal do comutador. As portas precisam ser configuradas para suportar o empilhamento. Quando vários comutadores são conectados juntos através das portas de empilhamento, eles funcionam como uma unidade única, com até 208 portas no painel frontal. A pilha funciona e é gerenciada como uma única entidade. Consulte o *Guia de configuração do usuário* e o *Guia de referência da interface de linha de comando (CLI)* para obter mais informações.

Iniciar e configurar o comutador Série N1100-ON

O fluxograma a seguir fornece uma visão geral das etapas que você usa para fazer a configuração inicial depois que o comutador é desembalado e montado.

Figura 1-7. Fluxograma de instalação e configuração



Conectar um computador Série N1100-ON em um terminal

Após completar todas as conexões externas, configure o computador conectando a um terminal.



NOTA: Antes de continuar, leia as Notas de versão do produto. Você pode fazer o download das Notas de versão no site de suporte da Dell em dell.com/support.



NOTA: A Dell recomenda que você obtenha a versão mais recente da documentação do usuário no site de suporte da Dell em dell.com/support.

Para monitorar e configurar o computador através do console USB, use a porta do console no painel frontal do computador para conectá-lo a um computador que execute o software de emulação de terminal VT100 usando o cabo USB fornecido. Talvez seja necessário baixar e instalar um driver no primeiro uso do cabo USB.

Para usar a porta de console, o seguinte equipamento é necessário:

- Computador compatível com o VT100 com uma porta USB executando software de emulação de terminal VT100, como HyperTerminal® e um driver USB.
- O cabo USB fornecido com um conector USB tipo B para a porta de console e conector USB para o computador host.

Realize as tarefas a seguir para conectar um terminal à porta do console do computador:

- 1 Conecte o conector USB do tipo B no computador fornecido e conecte a outra extremidade a um computador executando o software de emulação de terminal VT100.
- 2 Configure o software de emulação de terminal conforme as seguintes instruções:
 - a Selecione a porta serial adequada (por exemplo, COM 1) para conectar ao console.
 - b Defina a taxa de dados para 115.200 bauds.
 - c Configure o formato de dados para 8 data bits (8 bits de dados), 1 stop bit (1 bit de parada) e no parity (sem paridade).
 - d Configure o controle de fluxo para nenhum.
 - e Configure o modo de emulação de terminal para VT100.

- f Selecione a opção de teclas de Terminal para Função, Seta e Ctrl. Garanta que a configuração seja para teclas de terminal (e não para teclas do Windows).
- 3 Conecte o conector USB tipo B no cabo diretamente à porta do console do comutador. A porta de console Switches Dell está localizada no lado direito do painel frontal e está identificada com um símbolo |O|O|.



NOTA: O acesso do console ao gerenciador de pilha está disponível através de qualquer porta do console através da CLI local. Há suporte para apenas uma sessão de console USB por vez.

Série N1100-ON Conectar um comutador a uma fonte de alimentação



AVISO: Leia as informações de segurança no manual de *Informações sobre segurança e regulamentações*, bem como as informações de segurança para outros comutadores que se conectam ou suportam o comutador.

Os modelos N1108T-ON e N1108P-ON possuem uma fonte de alimentação interna. O receptáculo de alimentação fica no painel traseiro. O N1108EP-ON usa um adaptador de energia CC externo. O adaptador de energia CC externo

Conexão de alimentação CA e CC

- 1 Certifique-se de que a porta de console do comutador esteja conectada a um computador executando um emulador de terminal VT100 através do cabo USB para USB tipo B.
- 2 Usando um cabo de alimentação padrão de 5 pés (1,5 m) com aterramento de segurança conectado, conecte o cabo de alimentação na tomada CA localizada no painel traseiro.

Os comutadores modelo PoE têm um cabo de alimentação para serviço pesado com um conector gravado para o receptáculo de alimentação do comutador. O uso desse tipo de cabo é obrigatório para comutadores compatíveis com PoE.

- 3 Conecte o cabo de alimentação a uma tomada CA aterrada.

Inicializar o comutador Série N1100-ON

Quando a alimentação é ativada com o terminal local já conectado, o comutador passará pelo teste automático de inicialização (POST). O POST é executado toda vez que o dispositivo é inicializado e examina os componentes de hardware para determinar se o comutador está completamente operacional antes de ser completamente inicializado. Se o POST detectar um problema crítico, o fluxo do programa será interrompido. Se o POST for executado com sucesso, o firmware válido será carregado na memória RAM. As mensagens do POST são exibidas no terminal e indicam se o dispositivo passou ou não no teste. O processo de inicialização leva aproximadamente 60 segundos.

Você pode acionar o menu **Inicializar** após a primeira parte do POST ser concluída. No menu **Inicializar**, você pode executar tarefas de configuração como, por exemplo, restaurar o sistema para os padrões de fábrica, ativar a imagem de backup ou recuperar uma senha. Para obter mais informações sobre as funções do menu **Inicializar**, consulte o *Guia de referência da interface de linha de comando (CLI)*.

Executar a configuração inicial do Série N1100-ON

O procedimento de configuração inicial é baseado nas suposições a seguir:

- O comutador Switches Dell nunca foi configurado antes.
- O comutador Switches Dell foi inicializado com sucesso.
- A conexão do console foi estabelecida e o prompt **Assistente de configuração fácil Dell** aparece na tela de um computador executando um software de emulação de terminal.

A configuração inicial do comutador é efetuada através da porta do console. Após a configuração inicial, você pode gerenciar o comutador através da porta do console já conectada ou remotamente através de uma interface definida durante a configuração inicial.



NOTA: O comutador não é configurado com um nome de usuário, senha ou endereço IP padrão.

Antes de definir a configuração inicial do comutador, obtenha as seguintes informações com seu administrador de rede:

- O endereço IP a ser atribuído à interface de gerenciamento.
- A máscara de sub-rede de IP da rede.
- O endereço IP do gateway padrão da interface de gerenciamento.

Estas configurações são necessárias para possibilitar o gerenciamento remoto do comutador através de uma conexão Telnet (cliente Telnet) ou HTTP (navegador da Web).

Habilitar o gerenciamento remoto

Nos comutadores Série N1100-ON, você pode usar qualquer uma das portas no painel frontal para gerenciamento em banda. Por padrão, todas as portas são membros da VLAN 1.

O **Assistente de configuração fácil Dell** inclui prompts para configurar as informações de rede da interface VLAN 1 nos comutadores Série N1100-ON. Você pode atribuir um endereço IP estático e a máscara de sub-rede ou habilitar o DHCP e permitir que um servidor DHCP de rede atribua as informações.

Consulte o *Guia de referência da interface de linha de comando (CLI)* para obter informações sobre os comandos para configurar as informações de rede.

Procedimento de configuração inicial

Efetue a configuração inicial usando o **Assistente de configuração fácil Dell** ou usando a CLI. O assistente é iniciado automaticamente quando o arquivo de configuração do comutador está vazio. Saia do assistente a qualquer momento pressionando [Ctrl+Z], mas todos os parâmetros de configuração especificados serão descartados e o comutador usará os valores padrão.



NOTA: Se você não executar o **Assistente de configuração fácil Dell** ou não responder ao prompt inicial do Assistente de configuração fácil dentro de 60 segundos, o comutador entra no modo de interface de linha de comando. Você precisa redefinir o comutador com uma configuração de inicialização vazia para reexecutar o **Assistente de configuração fácil Dell**.

Para obter mais informações sobre como fazer a configuração inicial usando a CLI, consulte o *Guia de Referência de interface de linha de comando (CLI)*. Este *Guia de Noções Básicas* mostra como usar o **Assistente de configuração fácil Dell** para a configuração inicial do comutador. O assistente define a seguinte configuração no comutador:

- Estabelece a conta de usuário com privilégios iniciais com uma senha válida. O assistente configura uma conta de usuário com privilégios durante a configuração.
- Ativa o login de CLI e o acesso HTTP para uso apenas da configuração de autenticação local.
- Define o endereço IP para a interface de roteamento de VLAN 1, da qual todas as portas em banda são membros.
- Define a string de comunidade SNMP a ser usada pelo gerenciador de SNMP em um determinado endereço IP. Pule esta etapa se o gerenciamento de SNMP não for usado para este comutador.
- Permite a você especificar o endereço IP do sistema de gerenciamento da rede ou permite o acesso de gerenciamento em todos os endereços IP.
- Configura o endereço IP do gateway padrão para a interface VLAN 1.

Sessão de exemplo

Esta seção descreve uma sessão **Assistente de configuração fácil Dell**.

Os valores a seguir são usados na sessão de exemplo:

- A string de comunidade SNMP a ser usada é **public**.
- O endereço IP do sistema de gerenciamento de rede (NMS) é **10.1.2.100**.
- O nome de usuário é **admin** e a senha é **admin123**.
- O endereço IP para a interface de roteamento de VLAN 1 é **10.1.1.200** com uma máscara de sub-rede de **255.255.255.0**.
- O gateway padrão é **10.1.1.1**.

O assistente de configuração define os valores iniciais conforme mencionado acima. Após concluir o assistente, o comutador está configurado da seguinte forma:

- O SNMPv2 é ativado e a sequência de comunidade é configurada conforme definido acima. O recurso de SNMPv3 é desativado por padrão.
- A conta de usuário admin é configurada conforme definido.
- Um sistema de gerenciamento da rede é configurado. Na estação de gerenciamento, você pode acessar as interfaces SNMP, HTTP e CLI. Você também pode optar por permitir que todos os endereços IP acessem essas interfaces de gerenciamento por meio da seleção do endereço IP (0.0.0.0).
- Um endereço IP está configurado para a interface de roteamento VLAN 1.
- Um endereço de gateway padrão é configurado.



NOTA: No exemplo a seguir, as opções possíveis do usuário ou os valores padrão estão entre []. Se você pressionar <Enter> sem nenhuma opção definida, o valor padrão é aceito. O texto de ajuda se encontra entre parênteses.

Exemplo do console **Assistente de configuração fácil Dell**

O exemplo a seguir contém a sequência de prompts e as respostas associadas à execução de uma sessão de exemplo do **Assistente de configuração fácil Dell**, usando os valores de entrada listados anteriormente.

Depois que o computador concluir o POST e for inicializado, o sistema exibirá a seguinte caixa de diálogo:

```
Unit 1 - Waiting to select management unit)>
```

```
_____Dell SupportAssist EULA_____
```

```
I accept the terms of the license agreement. You can reject the license agreement by configuring this command 'eula-consent support-assist reject'.
```

```
By installing SupportAssist, you allow Dell to save your contact information (e.g. name, phone number and/or email address) which would be used to provide technical support for your Dell products and services Dell may use the information for providing recommendations to improve your IT infrastructure. Dell SupportAssist also collects and stores machine diagnostic information, which may include but is not limited to configuration information, user supplied contact information, names of data volumes, IP addresses, access control lists, diagnostics & performance information, network configuration information, host/server configuration & performance information and related data (Collected Data) and transmits this information to Dell. By downloading SupportAssist and agreeing to be bound by these terms and the Dell end user license agreement, available at: http://www.dell.com/aeula, you agree to allow Dell to provide remote monitoring services of your IT environment and you give Dell the right to collect the Collected Data in accordance with Dell's Privacy Policy, available at: http://www.dell.com/privacypolicycountryspecific, in order to enable the performance of all of the various functions of SupportAssist during your entitlement to
```

receive related repair services from Dell. You further agree to allow Dell to transmit and store the Collected Data from SupportAssist in accordance with these terms. You agree that the provision of SupportAssist may involve international transfers of data from you to Dell and/or to Dell's affiliates, subcontractors or business partners. When making such transfers, Dell shall ensure appropriate protection is in place to safeguard the Collected Data being transferred in connection with SupportAssist. If you are downloading SupportAssist on behalf of a company or other legal entity, you are further certifying to Dell that you have appropriate authority to provide this consent on behalf of that entity. If you do not consent to the collection, transmission and/or use of the Collected Data, you may not download, install or otherwise use SupportAssist.

AeroHive HiveManager NG EULA

This switch includes a feature that enables it to work with HiveManager (an optional management suite), by sending the switch's service tag number and IP Address to HiveManager to authenticate your entitlement to use HiveManager. If you wish to disable this feature, you should run command 'eula-consent hiveagent reject' immediately upon powering up the switch for the first time, or at any time thereafter.

Applying Global configuration, please wait...

Welcome to Dell Easy Setup Wizard

The setup wizard guides you through the initial switch configuration, and gets you up and running as quickly as possible. You can skip the setup wizard, and enter CLI mode to manually configure the switch. You must respond to the next question to run the setup wizard within 60 seconds, otherwise the system will continue

with normal operation using the default system configuration. Note: You can exit the setup wizard at any point by entering [ctrl+z].

Would you like to run the setup wizard (you must answer this question within 60 seconds)? [Y/N] **y**

Step 1:

The system is not set up for SNMP management by default. To manage the switch using SNMP (required for Dell Network Manager) you can

- . Set up the initial SNMP version 2 account now.
- . Return later and set up other SNMP accounts. (For more information on setting up an SNMP version 1 or 3 account, see the user documentation).

Would you like to set up the SNMP management interface now? [Y/N] **y**

To set up the SNMP management account you must specify the management system IP address and the "community string" or password that the particular management system uses to access the switch. The wizard automatically assigns the highest access level [Privilege Level 15] to this account. You can use Dell Network Manager or other management interfaces to change this setting, and to add additional management system information later. For more information on adding management systems, see the user documentation.

To add a management station:

Please enter the SNMP community string to be used.

[public]: **public**



NOTA: Se estiver configurado, o nível de acesso padrão é definido como o mais alto acesso disponível para a interface de gerenciamento SNMP. A princípio, somente o SNMPv2 será ativado. O SNMPv3 é desativado até que se volte a configurar o acesso de segurança para SNMPv3 (por exemplo, ID do mecanismo, visualizar, etc.).

Please enter the IP address of the Management System (A.B.C.D) or wildcard (0.0.0.0) to manage from any Management Station. [0.0.0.0]: **10.1.2.100**

Step 2:

Now we need to set up your initial privilege (Level 15) user account. This account is used to login to the CLI and Web interface. You may set up other accounts and change privilege levels later. For more information on setting up user accounts and changing privilege levels, see the user documentation.

To set up a user account:

Please enter the user name. [root]: **admin**
Please enter the user password: *********
Please reenter the user password: *********

Step 3:

Next, an IP address is set up on the VLAN 1 routing interface.

You can use the IP address to access the CLI, Web interface, or SNMP interface of the switch.

To access the switch through any Management Interface you can

- . Set up the IP address for the Management Interface.
- . Set up the default gateway if IP address is manually configured on the routing interface.

Step 4:

Would you like to set up the VLAN1 routing interface now? [Y/N] **y**

Please enter the IP address of the device (A.B.C.D) or enter "DHCP" (without the quotes) to automatically request an IP address from the network DHCP server:
10.1.1.200

Please enter the IP subnet mask (A.B.C.D or /nn):
255.255.255.0

Step 5:

Finally, set up the default gateway. Please enter the IP address of the gateway from which this network is reachable. [0.0.0.0]: **10.1.1.1**

This is the configuration information that has been collected:

```
SNMP Interface = "public"@10.1.2.100
User Account setup = admin
Password = *****
VLAN1 Router Interface IP = 10.1.1.200 255.255.255.0
Default Gateway = 10.1.1.1
```

Step 6:

If the information is correct, please enter (Y) to save the configuration and copy the settings to the start-up configuration file. If the information is incorrect, enter (N) to discard the configuration and restart the wizard: [Y/N] **y**

Thank you for using the Dell Easy Setup Wizard. You will now enter CLI mode.

Applying Interface configuration, please wait...

Próximos passos

Depois de concluir a configuração inicial descrita nesta seção, conecte qualquer uma das portas do comutador do painel frontal a uma rede de produção para gerenciamento remoto de banda.

Se você tiver especificado o DHCP para o endereço IP da interface de gerenciamento VLAN 1, a interface irá obter seu endereço IP de um servidor DHCP na rede. Para descobrir o endereço IP atribuído dinamicamente, use a conexão de porta do console para emitir o seguinte comando:

- Para a interface de roteamento VLAN 1, digite **show interface ip**.

Para acessar a interface do administrador de comutador Dell OpenManage, digite o endereço IP da interface de gerenciamento VLAN 1 no campo de endereço de um navegador da Web. Para acessar o gerenciamento remoto para CLI, digite o endereço IP da interface de gerenciamento VLAN 1 em um cliente SSH ou Telnet. Opcionalmente, continue a usar a porta do console para o acesso ao CLI local ao comutador.

Os comutadores Série N1100-ON oferecem suporte a recursos de comutação básicos como VLANs e protocolo de árvore de abrangência. Use a interface de gerenciamento baseada na Web ou o CLI para configurar os recursos de que sua rede exige. Para obter mais informações sobre como configurar os recursos do comutador, consulte o *Guia de configuração do usuário* ou *Guia de referência da interface de linha de comando (CLI)* disponível no site de suporte: [site dell.com/support](http://site.dell.com/support).

Conformidade com a Entidade

Os comutadores N1108T-ON, N1108P-ON, N1108EP-ON, N1124T-ON, N1124P-ON, N1148T-ON e N1148P-ON estão em conformidade com os seguintes requisitos de segurança e da entidade:

Declaração da Comissão Federal de Comunicações dos EUA

Este equipamento foi testado e constatado como compatível com os limites de dispositivos digitais de Classe A, de acordo com as normas FCC Parte 15. Esses limites são designados a oferecer proteção razoável contra interferência negativa quando o equipamento é operado em um ambiente comercial. Este equipamento gera, usa e pode irradiar energia de radiofrequência. Se ele não for instalado e usado de acordo com as instruções, poderá causar interferência negativa nas comunicações via rádio. A operação deste equipamento em uma área residencial provavelmente causará interferência negativa, caso em que os usuários serão obrigados a tomar as medidas necessárias para corrigir a interferência a seu próprio custo.

Cabos e conectores adequadamente blindados e aterrados devem ser usados para atender aos limites de emissão de FCC. A Dell EMC não é responsável por qualquer interferência de rádio ou televisão causada por usar outros cabos e conectores que não os recomendados ou por alterações ou modificações não autorizadas no equipamento. Alterações ou modificações não autorizadas podem anular a autoridade de user\xd5 s para operar o equipamento.

Este dispositivo está em conformidade com a Parte 15 das Normas da FCC. A operação está sujeita às duas condições a seguir: (1) esse dispositivo não pode causar interferência negativa e (2) esse dispositivo deve aceitar qualquer interferência recebida, incluindo interferências que possam causar uma operação indesejada.

Figura 1-8. Declaração do Ministério de Comunicação do Canadá

Industry Canada Class A emission compliance statement

This Class A digital apparatus complies with Canadian ICES-003.

Avis de conformité à la réglementation d'Industrie Canada

Cet appareil numérique de la classe A est conforme à la norme NMB-003 du Canada.

Padrões de segurança e certificações da entidade de conformidade

- IEC 62368-1, 2ª edição
- CUS UL 60950-1, 2ª edição
 - Atende ou supera os testes de continuidade de aterramento e de Hi Pot de acordo com a UL 60950-1.
- AS/NZS 60950
- CSA 60950-1-03, 2ª edição
- EN 60950-1, 2ª edição
- EN 60825-1, 1ª edição
- EN 60825-1 Segurança de produtos a laser — Parte 1: Requisitos de classificação de equipamentos e guia de User's
- EN 60825-2 Segurança de produtos a laser — Parte 2: Segurança dos sistemas de comunicação de fibra óptica
- Regulamento da FDA 21CFR 1040.10 e 1040.11
- IEC 60950-1, 2ª ed, incluindo todos os desvios nacionais e as diferenças de grupo

Compatibilidade eletromagnética

Emissões

- Internacional: CISPR 32: Classe A
- Austrália/Nova Zelândia: AS/NZS CISPR 32, Classe A
- Canadá: ICES-003, Emissão-4, Classe A

- Europa: EN55032:2015 (CISPR 32), Classe A
- EN55032
- Japão: VCCI Classe A
- Coreia: KN32, Classe A
- Taiwan: CNS13438, Classe A
- EUA: FCC CFR47 Parte 15, Subparte B, Classe A

Imunidade

- EN 300 386 EMC para equipamentos de rede
- EN 55024
- EN 61000-3-2 Emissões harmônicas atuais
- EN 61000-3-3 Flutuações de tensão e tremulação
- EN 61000-4-2 ESD
- EN 61000-4-3 Imunidade radiada
- EN 61000-4-4 EFT
- EN 61000-4-5 Sobrecarga
- 61000-4-6 Imunidade conduzida em baixa frequência

Reciclagem e descarte de produtos

Você precisa reciclar ou descartar o sistema de acordo com as normas locais e nacionais aplicáveis. A Dell EMC incentiva os proprietários de equipamentos de tecnologia da informação a reciclar seus equipamentos de maneira responsável quando eles não forem mais necessários. A Dell EMC oferece uma variedade de programas e serviços de devolução de produtos em vários países para ajudar os proprietários de equipamentos a reciclar seus produtos de TI.

Conmutadores de Dell
Conmutadores N1108T-ON/
N1108P-ON/N1108EP-ON/
N1124T-ON/N1124P-ON/
N1148T-ON/N1148P-ON
Guía de introducción



Notas, precauciones y avisos



NOTA: Una NOTA le indica que hay información importante que le ayuda a hacer un mejor uso de su producto.



PRECAUCIÓN: Una **ADVERTENCIA** indica un potencial daño al hardware o pérdida de datos y le informa cómo evitar el problema.



AVISO: Una señal de **PRECAUCIÓN** indica la posibilidad de sufrir daño a la propiedad, heridas personales o la muerte.



Precaución sobre la batería de litio:

- Existe el peligro de explosión si una batería se reemplaza de forma incorrecta. Reemplácela únicamente por otra del mismo tipo o de un tipo equivalente. Deseche las baterías según las instrucciones del fabricante.
- Desechar una batería al fuego o a un horno caliente, aplastarla mecánicamente o destruirla puede generar una explosión.
- Dejar una batería en un ambiente donde la temperatura sea extremadamente elevada puede ocasionar una fuga de líquido inflamable o gas, o bien una explosión.
- Si una batería es expuesta a una presión de aire extremadamente baja, esto puede ocasionar una fuga de líquido inflamable o gas, o bien una explosión.
- El dispositivo solo se puede utilizar en una ubicación fija como, por ejemplo, un laboratorio o una sala de máquinas. Cuando instale el dispositivo, asegúrese de que la conexión a tierra de protección del enchufe o de la toma sea verificada por una persona capacitada.

© 2019 Dell Inc. o de sus filiales. Todos los derechos reservados. Este producto está protegido por patentes de EE. UU. y por las leyes de propiedad intelectual y de copyright internacionales. Dell y el logotipo de Dell son marcas comerciales de Dell Inc. en Estados Unidos u otras jurisdicciones. Todas las demás marcas y nombres mencionados en este documento pueden ser marcas registradas de sus respectivas empresas.

Modelos regulatorios: E17W y E18W

Mayo de 2019 N/P NTHM9 Rev. A01

Contenido

1	Introducción	97
	N1100-ON Series Descripción general del hardware	97
	Consumo de energía para conmutadores PoE N1100-ON Series	97
	Sistema de ventilación	99
	Resumen del modelo N1100-ON Series	99
2	N1108T-ON/N1108P-ON/Instalación de N1108EP-ON	100
	Montaje de un switch N1108T-ON/N1108P-ON mediante la bandeja de tándem de Dell	100
	Montaje de un N1108T-ON/N1108P-ON/N1108EP-ON en un rack de dos postes con soportes L grandes	101
	Montaje de todos los switches N11xx-ON en pared	102
3	Instalación de N1124T-ON/N1124P-ON/ N1148T-ON/ N1148P-ON	105
	Montaje en bastidor de un conmutador N1124T-ON/ N1124P-ON/ N1148T-ON/ N1148P-ON	105
	Instalación en bastidor	105
	Instalación como conmutador independiente	106
	Apilamiento de varios conmutadores N1124T-ON/ N1124P-ON/ N1148T-ON/ N1148P-ON	106

4	Inicio y configuración del conmutador N1100-ON Series	107
	Conexión de un conmutador N1100-ON Series a un terminal	108
	N1100-ON Series Conexión de un conmutador a una fuente de alimentación	109
	Conexión de la alimentación CA y CC	109
	Inicio del conmutador N1100-ON Series	110
	Cómo realizar la configuración inicial de N1100-ON Series	111
	Activación de la administración remota	111
	Procedimiento para la configuración inicial	112
	Ejemplo de sesión.	113
	Ejemplo de consola Asistente de configuración rápida de Dell	114
	Próximos pasos:	118
5	Cumplimiento de normas de agencia	120
6	Información NOM (solo para México)	123

Introducción

Este documento proporciona información básica acerca de los conmutadores Conmutadores de Dell N1100-ON Series, incluyendo cómo instalar el conmutador y realizar la configuración inicial. Para obtener información acerca de cómo configurar y supervisar las características del conmutador, consulte la *Guía de configuración* del usuario, que está disponible en el sitio web de asistencia de Dell en dell.com/support. Consulte el sitio web de asistencia técnica para obtener las últimas actualizaciones sobre documentación y firmware.



NOTA: Se recomienda encarecidamente a los administradores del conmutador que mantengan los conmutadores Conmutadores de Dell actualizados con la versión más reciente del sistema operativo Conmutadores de Dell (DNOS). Conmutadores de Dell mejora constantemente las características y funciones de DNOS basándose en las opiniones de los clientes. Para la infraestructura crítica, se recomienda una puesta en marcha de la nueva versión en una parte no crítica de la red para así verificar la configuración y el funcionamiento de la red con la nueva versión DNOS.

N1100-ON Series Descripción general del hardware

Esta sección contiene información sobre las características del dispositivo y las configuraciones de hardware para el conmutador Conmutadores de Dell N1100-ON Series.

NOTA: El switch N1108EP-ON usa un adaptador de alimentación externo. No hay ningún kit de montaje disponible para el adaptador de alimentación externo N1108EP-ON. Cuando instale el N1108EP-ON, coloque el adaptador de alimentación externo lejos del switch.

Consumo de energía para conmutadores PoE N1100-ON Series

Tabla 1-1 describe el consumo de alimentación de los conmutadores PoE N1100-ON Series. La alimentación que pueden utilizar los PoE es de 60 W para el N1108P-ON, 123 W para el N1108EP-ON, 185 W para el N1124P-ON y 370 W para el N1148P-ON.

Tabla 1-1. Consumo de energía para conmutadores PoE N1100-ON Series

Modelo	Voltaje de entrada	Configuración de la fuente de alimentación	Consumo de corriente fijo máximo (A)	Potencia fija máxima (W)
N1108P-ON	100 V/60 Hz	PSU principal	0,95 A	88,64 W
	110 V/60 Hz	PSU principal	0,87 A	88,43 W
	120 V/60 Hz	PSU principal	0,80 A	88,22 W
	220 V/50 Hz	PSU principal	0,49 A	89,28 W
	240 V/50 Hz	PSU principal	0,45 A	89,70 W
N1108EP-ON	100 V/60 Hz	Adaptador de alimentación externo de 54 V de CC	1,62 A	157 W
	110 V/60 Hz	Adaptador de alimentación externo de 54 V de CC	1,47 A	157 W
	120 V/60 Hz	Adaptador de alimentación externo de 54 V de CC	1,35 A	157 W
	220 V/50 Hz	Adaptador de alimentación externo de 54 V de CC	0,74 A	157 W
	240 V/50 Hz	Adaptador de alimentación externo de 54 V de CC	0,67 A	157 W
N1124P-ON	100 V/60 Hz	PSU principal	2,66 A	260,66 W
	110 V/60 Hz	PSU principal	2,38 A	257,95 W
	120 V/60 Hz	PSU principal	2,16 A	256,27 W
	220 V/50 Hz	PSU principal	1,18 A	250,52 W
	240 V/50 Hz	PSU principal	1,10 A	251,25 W
N1148P-ON	100 V/60 Hz	PSU principal	4,78 A	476,03 W
	110 V/60 Hz	PSU principal	4,32 A	472,64 W
	120 V/60 Hz	PSU principal	3,95 A	470,58 W
	220 V/50 Hz	PSU principal	2,14 A	459,37 W
	240 V/50 Hz	PSU principal	1,97 A	459,06 W

Sistema de ventilación

Un ventilador enfría los conmutadores N1108T-ON/N1108P-ON, y dos ventiladores enfrían los conmutadores N1024T-ON/N1024P-ON/N1048T-ON/N1048P-ON. Los ventiladores no son sustituibles en campo. N1108EP-ON es un switch sin ventilador.

Resumen del modelo N1100-ON Series

Tabla 1-2. Números reglamentarios del conmutador N1100-ON Series

Nombre del modelo de marketing (MMN)	Descripción	Unidad de fuente de alimentación (PSU)	Número de modelo reglamentario (RMN)	Número de tipo reglamentario (RTN)
N1108T-ON	Puertos 10x1G/2x1G SFP	DPS-24CP	E17W	E17W001
N1108P-ON	Puertos 10x1G/2x1G SFP/2xPoE+	DPS-80AP/ DPS-24CP	E17W	E17W001
N1108EP-ON	Puertos PoE+ 8x1G/PD 2x1G/ SFP 2x1G	ADP-280BR	E48W	E48W001
N1124T-ON	Puertos 24x1G/4x10G SFP+	DPS-40AP	E18W	E18W001
N1124P-ON	Puertos 24x1G/4x10G SFP+/6xPoE+	EDPS-250BF	E18W	E18W001
N1148T-ON	Puertos 48x1G/4x10G SFP+	DPS 60AP	E18W	E18W002
N1148P-ON	Puerto 48x1G/4x10G SFP+/12xPoE+	YM-2501D	E18W	E18W002

N1108T-ON/N1108P-ON/Instalación de N1108EP-ON

Montaje de un switch N1108T-ON/N1108P-ON mediante la bandeja de tándem de Dell

El conector de alimentación de CA se encuentra en el panel posterior.





-  **AVISO:** Lea la información de seguridad en *Información reglamentaria y de seguridad*, así como la información de seguridad para otros conmutadores que se conectan al conmutador o que son compatibles con este.
 -  **AVISO:** No utilice los kits de montaje en bastidor para suspender el conmutador de una mesa o un escritorio, ni para fijarlo a la pared.
 -  **PRECAUCIÓN:** Desconecte todos los cables del conmutador antes de continuar. Extraiga las almohadillas autoadhesivas de la parte inferior del conmutador, si se han colocado.
 -  **PRECAUCIÓN:** Cuando monte varios conmutadores en un bastidor, empiece desde abajo.
- 1 Fije el switch N1108T-ON/N1108P-ON en el kit de bandeja de tándem de Dell, como se muestra en Figura 1-1.

Figura 1-1. Kit de bandeja Tandem Dell



- 2 Inserte el conmutador en el bastidor de 48,26 cm (19 pulg.), asegurándose de que los orificios de montaje del bastidor en el kit coinciden con los orificios de montaje en el bastidor.

- 3 Fije el kit en el bastidor con los pernos o bien con las tuercas prisioneras y sus pernos y arandelas (según el tipo de bastidor de que disponga). Apriete los pernos en la parte inferior y después apriete los pernos en la parte superior.

Montaje de un N1108T-ON/N1108P-ON/N1108EP-ON en un rack de dos postes con soportes L grandes

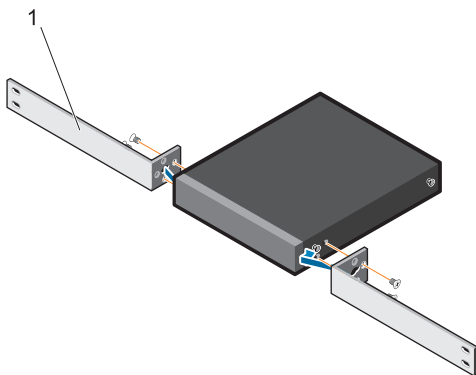
NOTA: El conector de alimentación de CA se encuentra en el panel posterior de los switches N1108T-ON/N1108P-ON. El conector de alimentación de CC para el N1108EP-ON se encuentra en el centro del panel posterior.

NOTA: El switch N1108EP-ON usa un adaptador de alimentación externo. No hay ningún kit de montaje disponible para el adaptador de alimentación externo N1108EP-ON. Cuando instale el N1108EP-ON, coloque el adaptador de alimentación externo lejos del switch.

PRECAUCIÓN: Como el N1108EP-ON es un switch sin ventiladores, para evitar el sobrecalentamiento, no coloque el adaptador de alimentación externo en la parte superior del switch.

- 1 Coloque el soporte de montaje en rack enviado en un lateral del switch y asegúrese de que los orificios de montaje del switch coincidan con los orificios de montaje del soporte de montaje en rack. Consulte el ítem 1 en Figura 1-2.

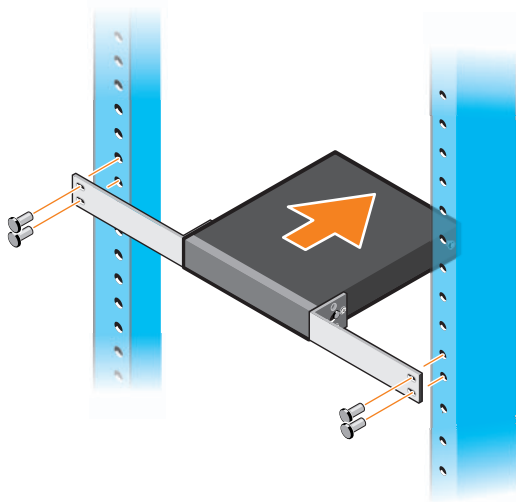
Figura 1-2. Instalación mediante el kit de soporte L grande



- 2 Inserte los tornillos enviados en los orificios de montaje en rack y ajústelos con un destornillador.
- 3 Repita el proceso del otro lado del switch.

- 4 Inserte el ensamblaje de rieles y el switch en el rack desde la parte frontal del rack. Asegúrese de que los orificios de montaje en rack en el switch se alineen con los orificios de montaje del rack.
- 5 Fije el switch al rack mediante los tornillos. Ajuste el par de tornillos de la parte inferior antes de ajustar el de la parte superior. Consulte el apartado Figura 1-3.

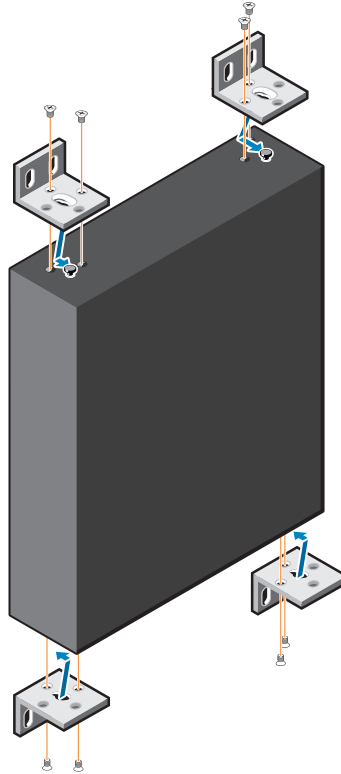
Figura 1-3. Instale en un rack de dos postes con soporte L



Montaje de todos los switches N11xx-0N en pared

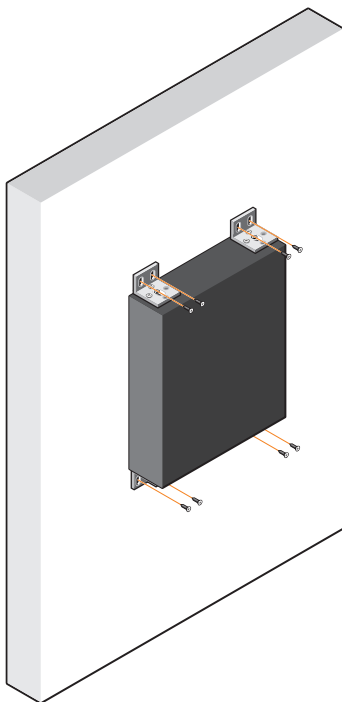
- 1 Asegúrese de que la ubicación de montaje cumpla con los requisitos siguientes:
 - La superficie de la pared puede soportar el peso del switch.
 - La ubicación está bien ventilada para evitar la acumulación de calor.
- 2 Coloque el soporte de montaje en pared suministrado en un lateral del conmutador y verifique que los orificios de montaje del conmutador coincidan con los orificios de montaje del soporte de montaje en pared.
- 3 Inserte los tornillos enviados en los orificios del soporte de montaje en pared y ajústelos con un destornillador. Consulte el apartado Figura 1-4.

Figura 1-4. Inserción de los soportes de montaje



- 4 Repita el proceso con el soporte de montaje en pared del otro lado del conmutador.
- 5 Coloque el conmutador en la pared en la ubicación donde se instalará el conmutador.
- 6 En la pared, marque las posiciones donde deberán ir los tornillos para sujetar el switch.
- 7 En las posiciones marcadas, taladre los orificios y coloque los ocho puntos de ancla enviados en los orificios.
- 8 Inserte los tornillos enviados en los orificios del soporte de montaje en pared y ajústelos con un destornillador. Consulte el apartado Figura 1-5.

Figura 1-5. Montaje en pared



Instalación de N1124T-ON/N1124P-ON/N1148T-ON/ N1148P-ON

Montaje en bastidor de un conmutador N1124T-ON/ N1124P-ON/ N1148T-ON/ N1148P-ON

⚠ AVISO: Lea la información de seguridad en *Información reglamentaria y de seguridad*, así como la información de seguridad para otros conmutadores que se conectan al conmutador o que son compatibles con este.

El conector de alimentación de CA se encuentra en el lado del conmutador.

Instalación en bastidor

⚠ AVISO: No utilice los kits de montaje en bastidor para suspender el conmutador de una mesa o un escritorio, ni para fijarlo a la pared.

⚠ PRECAUCIÓN: Desconecte todos los cables del conmutador antes de continuar. Extraiga las almohadillas autoadhesivas de la parte inferior del conmutador, si se han colocado.

⚠ PRECAUCIÓN: Cuando monte varios conmutadores en un bastidor, empiece desde abajo.

- 1 Coloque el soporte de montaje en bastidor suministrado en un lateral del conmutador y asegúrese de que los orificios de montaje del conmutador coinciden con los orificios de montaje del soporte de montaje en bastidor. Figura 1-6 muestra dónde deben montarse los soportes.

Figura 1-6. Fijación de los soportes



- 2 Inserte los pernos suministrados en los orificios de montaje en bastidor y apriételes con un destornillador.
- 3 Repita el proceso con el soporte de montaje en bastidor del otro lado del conmutador.
- 4 Inserte el conmutador en el bastidor de 48,26 cm (19 pulg.), asegurándose de que los orificios de montaje en bastidor del soporte están alineados con los orificios de montaje del bastidor.
- 5 Fije el soporte en el bastidor con los pernos o con las tuercas prisioneras, sus pernos y arandelas (según el tipo de bastidor del que disponga). Apriete los pernos en la parte inferior y después apriete los pernos en la parte superior.



PRECAUCIÓN: Asegúrese de que los pernos del bastidor incluidos son los adecuados para los orificios del bastidor.



NOTA: Asegúrese de que los orificios de ventilación no están obstruidos.

Instalación como conmutador independiente



NOTA: Dell recomienda encarecidamente montar el conmutador en un bastidor.

Coloque el conmutador en una superficie plana si no va a instalarlo en un bastidor. La superficie debe poder soportar el peso del conmutador y de sus cables. El conmutador incluye cuatro almohadillas de goma autoadhesivas.

- 1 Fije las almohadillas de goma autoadhesivas en cada una de las zonas marcadas de la parte inferior del conmutador.
- 2 Coloque el conmutador en una superficie plana y asegúrese de que disponga de la ventilación correcta; dejando 5 cm (2 pulgadas) a cada lado y 13 cm (5 pulgadas) en la parte posterior.

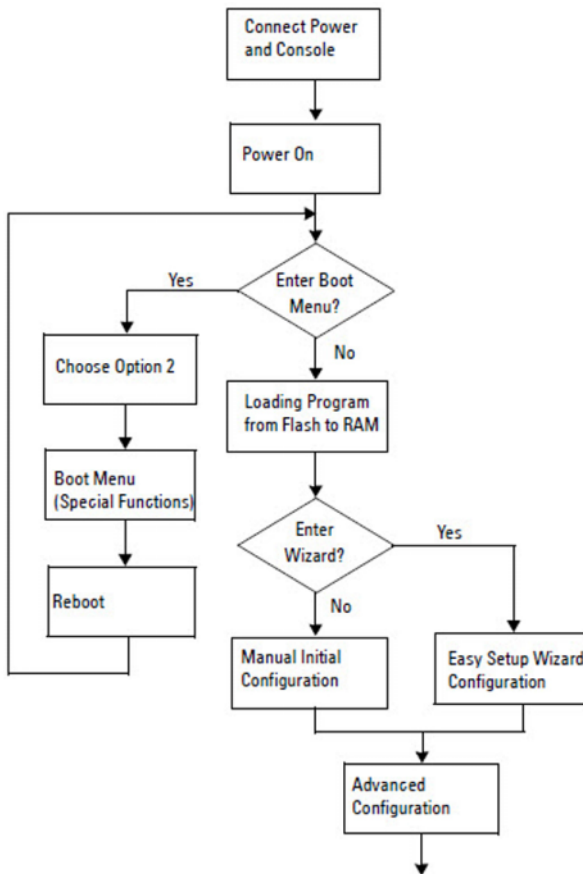
Apilamiento de varios conmutadores N1124T-ON/ N1124P-ON/ N1148T-ON/ N1148P-ON

Puede apilar hasta cuatro conmutadores N1124T-ON/N1124P-ON/N1148T-ON/ N1148P-ON mediante puertos 10G SFP+ en la parte frontal del conmutador. Los puertos deben configurarse para que se puedan apilar. Cuando hay varios conmutadores conectados juntos a través de los puertos de apilado, todos funcionan como una unidad única con hasta 208 puertos en el panel frontal. La pila funciona y se administra como una sola entidad. Consulte la *Guía de Configuración del usuario* y la *Guía de referencia de la CLI* para obtener más información.

Inicio y configuración del conmutador N1100-ON Series

El siguiente diagrama de flujo proporciona una descripción general de los pasos que debe seguir para realizar la configuración inicial una vez que el conmutador se haya desempaquetado y montado.

Figura 1-7. Diagrama de flujo de instalación y configuración



Conexión de un conmutador N1100-ON Series a un terminal

Una vez realizadas todas las conexiones externas, configure el conmutador conectándolo a un terminal.



NOTA: Lea las notas de publicación de este producto antes de continuar. Puede descargar las notas de publicación de la página web de asistencia de Dell en dell.com/support.



NOTA: Dell recomienda encarecidamente que obtenga la versión más reciente de la documentación del usuario desde el sitio web de asistencia de Dell en dell.com/support.

Para supervisar y configurar el conmutador por medio de la consola USB, utilice el puerto de la consola del panel frontal del conmutador para conectarlo a un equipo que ejecute el software de emulación de terminal VT100 mediante el cable USB suministrado. Es posible que sea necesario descargar e instalar un controlador en el primer uso del cable USB.

El siguiente equipo es necesario para utilizar el puerto de la consola:

- El equipo VT100 compatible con un puerto USB que ejecute el software de emulación de terminal VT100, como, por ejemplo, HyperTerminal® y un controlador USB.
- El cable USB que se suministra con un conector USB de tipo B para el puerto de la consola y conector USB para el equipo anfitrión.

Realice las siguientes tareas para conectar un terminal al puerto de la consola del conmutador:

- 1 Conecte el conector USB tipo B con el conmutador suministrado y conecte el otro extremo a un equipo que ejecute el software de emulación de terminal VT100.
- 2 Configure el software de emulación de terminal de la siguiente manera:
 - a Seleccione el puerto serie correspondiente (por ejemplo, COM 1) para conectar a la consola.
 - b Establezca la velocidad de los datos en 115.200 baudios.
 - c Establezca el formato de los 8 data bits, 1 stop bit y no parity.
 - d Establezca el control de flujo en ninguno.

- e Establezca el modo de emulación de terminal en **VT100**.
 - f Seleccione las teclas del terminal para Función, Flecha y Ctrl. Asegúrese de que la configuración es para las teclas del terminal (y no para las teclas de Microsoft Windows).
- 3** Conecte el conector USB tipo B del cable directamente al puerto de la consola del conmutador. El puerto de la consola Conmutadores de Dell se encuentra en el lado derecho del panel frontal y está etiquetado con un símbolo |O|O|.



NOTA: El acceso a la consola en el administrador de pilas está disponible desde cualquier puerto de la consola por medio de la CLI. Solo una sesión de consola USB a la vez es compatible.

N1100-ON Series Conexión de un conmutador a una fuente de alimentación



PRECAUCIÓN: Lea la información de seguridad en el manual *Información reglamentaria y de seguridad*, así como la información de seguridad para otros conmutadores que se conecten o que sean compatibles con este.

Los modelos N1108T-ON y N1108P-ON tienen una fuente de alimentación interna. El enchufe de alimentación se encuentra en el panel posterior. N1108EP-ON utiliza un adaptador de alimentación de CC externo. Adaptador de alimentación de CC externo

Conexión de la alimentación CA y CC

- 1** Asegúrese de que el puerto de consola del conmutador está conectado a un equipo que ejecute un emulador de terminal VT100 a través del cable USB a USB tipo B.
- 2** Mediante un cable de alimentación estándar de 5 pies (1,5 m) con toma a tierra, conecte el cable de alimentación al enchufe principal de CA que se encuentra en el panel posterior.

Los modelos de conmutadores PoE tienen un cable de alimentación de alto rendimiento con un conector marcado para el enchufe de alimentación del conmutador. El uso de este tipo de cable es obligatorio para los conmutadores PoE.

- 3** Conecte el cable de alimentación a una toma de CA con conexión a tierra.

Inicio del conmutador N1100-ON Series

Cuando se enciende la alimentación con el terminal local ya conectado, el conmutador realiza una autoprueba de encendido (POST). La autoprueba POST se ejecuta cada vez que se inicializa el conmutador y comprueba los componentes de hardware para determinar si el conmutador está completamente operativo antes del inicio completo. Si la POST detecta un problema crítico, el flujo de programa se detiene. Si la POST se ejecuta correctamente, se carga el firmware válido en la RAM. Se muestran mensajes de la POST en el terminal e indican si la prueba ha finalizado correctamente o no. El proceso de inicio dura aproximadamente 60 segundos.

Puede abrir el menú **Inicio** después de completarse la primera parte de la POST. Desde el menú **Inicio** puede realizar varias tareas de configuración, como el restablecimiento del sistema a los valores predeterminados, la activación de la imagen de copia de seguridad o la recuperación de una contraseña. Para obtener más información sobre las funciones del menú **Inicio** consulte la *Guía de referencia de la CLI*.

Cómo realizar la configuración inicial de N1100-ON Series

El procedimiento de configuración inicial se basa en los siguientes supuestos:

- El conmutador Conmutadores de Dell nunca fue configurado.
- El conmutador Conmutadores de Dell se ha iniciado correctamente.
- La conexión de la consola se estableció y la petición **Asistente de configuración rápida de Dell** aparece en la pantalla de un equipo que ejecute software de emulación de terminal.

La configuración inicial del conmutador se realiza a través del puerto de la consola. Después de la configuración inicial puede administrar el conmutador desde el puerto de consola ya conectado o bien remotamente a través de una interfaz definida durante la configuración inicial.



NOTA: El conmutador no está configurado con un nombre de usuario, contraseña o dirección IP predeterminados.

Antes de establecer la configuración inicial del conmutador debe obtener la siguiente información de su administrador de red:

- La dirección IP que se debe asignar a la interfaz de administración.
- La máscara de subred para la red.
- La dirección IP de la puerta de enlace predeterminada de la interfaz de administración.

Estos valores son necesarios para permitir la administración remota del conmutador a través de una conexión Telnet (cliente Telnet) o HTTP (explorador de Internet).

Activación de la administración remota

En los conmutadores N1100-ON Series, puede utilizar cualquiera de los puertos del conmutador que se encuentran en el panel frontal para la administración en banda. De manera predeterminada, todos los puertos en banda son miembros de la red VLAN 1.

El **Asistente de configuración rápida de Dell** incluye indicadores para configurar la información de red de la interfaz VLAN 1 en los switches N1100-ON Series. Puede asignar una dirección IP estática y la máscara de subred o habilitar DHCP y habilitar un servidor DHCP de la red para asignar la información.

Consulte la *Guía de referencia de la CLI* para conocer los comandos para configurar la información de red.

Procedimiento para la configuración inicial

Realice la configuración inicial mediante **Asistente de configuración rápida de Dell** o mediante la CLI. El asistente se inicia automáticamente cuando el archivo de configuración del conmutador está vacío. Salga del asistente en cualquier momento con Ctrl+z, aunque se descartarán todos los parámetros de configuración especificados y el conmutador utilizará los valores predeterminados.



NOTA: Si no ejecuta **Asistente de configuración rápida de Dell** o no responde a la indicación inicial del Asistente de configuración en 60 segundos, el conmutador entrará en el modo CLI. Debe restablecer el conmutador con una configuración de inicio vacía para volver a ejecutar **Asistente de configuración rápida de Dell**.

Para obtener más información acerca de cómo llevar a cabo la configuración inicial utilizando la CLI, consulte la *Guía de referencia de la CLI*. Esta *Guía de introducción* muestra cómo utilizar **Asistente de configuración rápida de Dell** durante la configuración inicial del conmutador. El asistente establece la siguiente configuración en el conmutador:

- Establece la cuenta de usuario privilegiada inicial con una contraseña válida. El asistente configura una cuenta de usuario privilegiada durante la configuración.
- Activa el inicio de sesión de la CLI y el acceso HTTP para el uso exclusivo de la autenticación local.
- Establece la dirección IP para la interfaz de enrutamiento VLAN 1 de la que son miembros todos los puertos en banda.
- Establece la cadena de comunidad SNMP que el administrador SNMP usará en una dirección IP determinada. Sáltese este paso si la administración SNMP no se utiliza para este conmutador.
- Permite especificar la dirección IP del sistema de administración de red o permite el acceso de administración desde todas las direcciones IP.
- Configura la dirección IP de la puerta de enlace predeterminada para la interfaz VLAN 1.

Ejemplo de sesión

Esta sección describe una sesión **Asistente de configuración rápida de Dell**. Los siguientes valores se utilizan en la sesión de ejemplo:

- La cadena de comunidad SNMP que se utiliza es **pública**.
- La dirección IP del sistema de administración de red (NMS) es **10.1.2.100**.
- El nombre de usuario es **admin** y la contraseña es **admin123**.
- La dirección IP para la interfaz de enrutamiento VLAN 1 es **10.1.1.200** con una máscara de subred **255.255.255.0**.
- La puerta de enlace predeterminada es **10.1.1.1**.

El asistente para configuración define los valores iniciales como se ha indicado anteriormente. Después de completar el asistente, el conmutador se configura de la siguiente manera:

- SNMPv2 está activado y la cadena de comunidad es la definida anteriormente. SNMPv3 está desactivada de manera predeterminada.
- La cuenta de usuario admin se configura como se ha indicado.
- Un sistema de administración de red está configurado. En la estación de administración puede acceder a las interfaces SNMP, HTTP y CLI. También puede permitir que todas las direcciones IP tengan acceso a estas interfaces de administración especificando la dirección IP (0.0.0.0).
- Se configura una dirección IP para la interfaz de enrutamiento VLAN 1.
- Se configura una dirección de puerta de enlace predeterminada.



NOTA: En el siguiente ejemplo, las opciones de usuario posibles o valores predeterminados se incluyen entre corchetes []. Si presiona <Intro> sin opciones definidas, el valor predeterminado se acepta. El texto de ayuda se encuentra entre paréntesis.

Ejemplo de consola Asistente de configuración rápida de Dell

El siguiente ejemplo contiene la secuencia de peticiones y respuestas asociadas a la ejecución de una sesión de ejemplo **Asistente de configuración rápida de Dell**, usando los valores de entrada presentados anteriormente.

Cuando el conmutador finaliza la POST y se inicia, aparece el diálogo siguiente:

```
Unit 1 - Waiting to select management unit)>
```

```
_____Dell SupportAssist EULA_____
```

```
I accept the terms of the license agreement. You can reject the license agreement by configuring this command 'eula-consent support-assist reject'.
```

```
By installing SupportAssist, you allow Dell to save your contact information (e.g. name, phone number and/or email address) which would be used to provide technical support for your Dell products and services Dell may use the information for providing recommendations to improve your IT infrastructure. Dell SupportAssist also collects and stores machine diagnostic information, which may include but is not limited to configuration information, user supplied contact information, names of data volumes, IP addresses, access control lists, diagnostics & performance information, network configuration information, host/server configuration & performance information and related data (Collected Data) and transmits this information to Dell. By downloading SupportAssist and agreeing to be bound by these terms and the Dell end user license agreement, available at: http://www.dell.com/aeula, you agree to allow Dell to provide remote monitoring services of your IT environment and you give Dell the right to collect the Collected Data in accordance with Dell's Privacy Policy, available at: http://www.dell.com/privacypolicycountryspecific, in order to enable the performance of all of the various functions of SupportAssist during your entitlement to
```

receive related repair services from Dell. You further agree to allow Dell to transmit and store the Collected Data from SupportAssist in accordance with these terms. You agree that the provision of SupportAssist may involve international transfers of data from you to Dell and/or to Dell's affiliates, subcontractors or business partners. When making such transfers, Dell shall ensure appropriate protection is in place to safeguard the Collected Data being transferred in connection with SupportAssist. If you are downloading SupportAssist on behalf of a company or other legal entity, you are further certifying to Dell that you have appropriate authority to provide this consent on behalf of that entity. If you do not consent to the collection, transmission and/or use of the Collected Data, you may not download, install or otherwise use SupportAssist.

AeroHive HiveManager NG EULA

This switch includes a feature that enables it to work with HiveManager (an optional management suite), by sending the switch's service tag number and IP Address to HiveManager to authenticate your entitlement to use HiveManager. If you wish to disable this feature, you should run command 'eula-consent hiveagent reject' immediately upon powering up the switch for the first time, or at any time thereafter.

Applying Global configuration, please wait...

Welcome to Dell Easy Setup Wizard

The setup wizard guides you through the initial switch configuration, and gets you up and running as quickly as possible. You can skip the setup wizard, and enter CLI mode to manually configure the switch. You must respond to the next question to run the setup wizard within 60 seconds, otherwise the system will continue

with normal operation using the default system configuration. Note: You can exit the setup wizard at any point by entering [ctrl+z].

Would you like to run the setup wizard (you must answer this question within 60 seconds)? [Y/N] **y**

Step 1:

The system is not set up for SNMP management by default. To manage the switch using SNMP (required for Dell Network Manager) you can

- . Set up the initial SNMP version 2 account now.
- . Return later and set up other SNMP accounts. (For more information on setting up an SNMP version 1 or 3 account, see the user documentation).

Would you like to set up the SNMP management interface now? [Y/N] **y**

To set up the SNMP management account you must specify the management system IP address and the "community string" or password that the particular management system uses to access the switch. The wizard automatically assigns the highest access level [Privilege Level 15] to this account. You can use Dell Network Manager or other management interfaces to change this setting, and to add additional management system information later. For more information on adding management systems, see the user documentation.

To add a management station:

Please enter the SNMP community string to be used.

[public]: **public**



NOTA: Si se configura, se establece el nivel de acceso predeterminado superior para la interfaz de administración SNMP. Inicialmente solo se activará SNMPv2. SNMPv3 se desactiva hasta que vuelva a configurar el acceso de seguridad para SNMPv3 (por ejemplo ID de motor, vista, etc.).

Please enter the IP address of the Management System (A.B.C.D) or wildcard (0.0.0.0) to manage from any Management Station. [0.0.0.0]: **10.1.2.100**

Step 2:

Now we need to set up your initial privilege (Level 15) user account. This account is used to login to the CLI and Web interface. You may set up other accounts and change privilege levels later. For more information on setting up user accounts and changing privilege levels, see the user documentation.

To set up a user account:

```
Please enter the user name. [root]:admin
Please enter the user password: *****
Please reenter the user password: *****
```

Step 3:

Next, an IP address is set up on the VLAN 1 routing interface.

You can use the IP address to access the CLI, Web interface, or SNMP interface of the switch.

To access the switch through any Management Interface you can

- . Set up the IP address for the Management Interface.
- . Set up the default gateway if IP address is manually configured on the routing interface.

Step 4:

```
Would you like to set up the VLAN1 routing interface now? [Y/N] y
```

```
Please enter the IP address of the device (A.B.C.D) or enter "DHCP" (without the quotes) to automatically request an IP address from the network DHCP server:  
10.1.1.200
```

```
Please enter the IP subnet mask (A.B.C.D or /nn):  
255.255.255.0
```

Step 5:

Finally, set up the default gateway. Please enter the IP address of the gateway from which this network is reachable. [0.0.0.0]: **10.1.1.1**

This is the configuration information that has been collected:

```
SNMP Interface = "public"@10.1.2.100
User Account setup = admin
Password = *****
VLAN1 Router Interface IP = 10.1.1.200 255.255.255.0
Default Gateway = 10.1.1.1
```

Step 6:

If the information is correct, please enter (Y) to save the configuration and copy the settings to the start-up configuration file. If the information is incorrect, enter (N) to discard the configuration and restart the wizard: [Y/N] **y**

Thank you for using the Dell Easy Setup Wizard. You will now enter CLI mode.

Applying Interface configuration, please wait...

Próximos pasos:

Después de completar la configuración inicial descrita en esta sección, conecte cualquiera de los puertos del conmutador del panel frontal a una red de producción para la administración remota en banda.

Si ha especificado DHCP para la dirección IP de la interfaz de administración VLAN 1, la interfaz adquiere la dirección IP desde un servidor DHCP de la red. Para detectar la dirección IP asignada dinámicamente, utilice la conexión del puerto de la consola para ejecutar el siguiente comando:

- Para la interfaz de enrutamiento VLAN 1, introduzca **mostrar ip de la interfaz**.

Para acceder a la interfaz del administrador de conmutadores OpenManage de Dell, introduzca la dirección IP de la interfaz de administración VLAN 1 en el campo de dirección de un navegador de Internet. Para la administración remota acceda a la CLI, introduzca la dirección IP de la interfaz de

administración VLAN 1 en un cliente Telnet o SSH. De manera alternativa, continúe para utilizar el puerto de la consola para acceder al CLI local del conmutador.

Los conmutadores N1100-ON Series admiten características de conmutación como VLAN y el protocolo de árbol de extensión. Utilice la interfaz de administración basada en web o la CLI para configurar las características que su red requiere. Para obtener información acerca de cómo configurar las funciones del conmutador, consulte la *Guía de configuración del usuario* o *Guía de referencia de la CLI* disponibles en la web: **dell.com/support**.

Cumplimiento de normas de agencia

Los switches N1108T-ON, N1108P-ON, N1108EP-ON, N1124T-ON, N1124P-ON, N1148T-ON y N1148P-ON cumplen con los siguientes requisitos de agencia y de seguridad.

Declaración de la Comisión Federal de Comunicaciones de EE. UU.

Este equipo ha sido probado y cumple con los límites establecidos para los dispositivos digitales de clase A, de conformidad con la parte 15 de las reglas de la FCC. Estos límites están diseñados para proporcionar una protección razonable contra interferencias perjudiciales cuando el equipo se utiliza en un entorno comercial. Este equipo genera, utiliza y puede emitir energía de radiofrecuencia. Si no se instala y utiliza de acuerdo con las instrucciones, puede provocar interferencias perjudiciales en las comunicaciones por radio. Es probable que el uso de este equipo en un área residencial provoque interferencias perjudiciales, en cuyo caso, los usuarios deberán adoptar las medidas necesarias y afrontar los gastos para corregir la interferencia.

Se deben utilizar conectores y cables de conexión a tierra correctamente blindados para cumplir con los límites de emisión de la FCC. Dell EMC no es responsable de las interferencias de radio o televisión ocasionadas por usar conectores y cables no recomendados o por modificaciones o cambios no autorizados en el equipo. Las modificaciones o los cambios no autorizados podrían invalidar la autoridad del usuario's para usar el equipo.

Este dispositivo cumple con la parte 15 de las reglas de la FCC. El funcionamiento depende de las siguientes dos condiciones: (1) este dispositivo no puede causar interferencias perjudiciales, y (2) este dispositivo debe aceptar cualquier interferencia recibida, incluidas las interferencias que pudieran causar un funcionamiento no deseado.

Figura 1-8. Declaración del departamento canadiense de comunicación

Industry Canada Class A emission compliance statement

This Class A digital apparatus complies with Canadian ICES-003.

Avis de conformité à la réglementation d'Industrie Canada

Cet appareil numérique de la classe A est conforme à la norme NMB-003 du Canada.

Certificaciones de agencias de cumplimiento de normas y estándares de seguridad

- IEC 62368-1, 2.^a edición
- CUS UL 60950-1, 2.^a edición
 - Cumple con o supera los requisitos de UL 60950-1 de pruebas de continuidad de conexión a tierra y de alta tensión.
- AS/NZS 60950
- CSA 60950-1-03, 2.^a edición
- EN 60950-1, 2.^a edición
- EN 60825-1, 1.^a edición
- EN 60825-1, seguridad de productos láser: parte 1; Requisitos de clasificación de equipos y guía del usuario
- EN 60825-2, seguridad de productos láser: parte 2; Seguridad de sistemas de comunicación de fibra óptica
- Regulación de la FDA 21CFR 1040.10 y 1040.11
- IEC 60950-1, 2.^a edición, que incluye todas las desviaciones nacionales y las diferencias de grupo

Compatibilidad electromagnética

Emisiones

- Internacional: CISPR 32; clase A
- Australia/Nueva Zelanda: AS/NZS CISPR 32, clase A
- Canadá: ICES-003, número 4, clase A

- Europa: EN55032:2015 (CISPR 32), clase A
- EN55032
- Japón: VCCI, clase A
- Corea: KN32, clase A
- Taiwán: CNS13438, clase A
- EE. UU.: FCC CFR47 parte 15, subparte B, clase A

Inmunidad

- EN 300 386 EMC para equipos de red
- EN 55024
- EN 61000-3-2, emisiones de corriente armónica
- EN 61000-3-3, fluctuaciones de voltaje y parpadeo
- EN 61000-4-2, ESD
- EN 61000-4-3, inmunidad radiada
- EN 61000-4-4, EFT
- EN 61000-4-5, sobretensión
- EN 61000-4-6, inmunidad conducida de baja frecuencia

Eliminación y reciclaje de productos

Debe reciclar o desechar este sistema según las regulaciones locales y nacionales correspondientes. Dell EMC recomienda a los propietarios de tecnología de la información (TI) que reciclen sus equipos de manera responsable cuando ya no sean necesarios. Dell EMC ofrece una variedad de programas y servicios de devolución de productos en varios países, para ayudar a los propietarios de equipos a reciclar sus productos de TI.

Información NOM (solo para México)

La información que se proporciona a continuación aparece en el dispositivo descrito en este documento, de conformidad con los requisitos de la Norma Oficial Mexicana (NOM):

Exportador:	Dell Inc. One Dell Way Round Rock, TX 78682
Importador:	Dell México, S.A. de C.V Av. Javier Barros Sierra, no 540, Piso 10, Col. Lomas de Santa Fe Delegación Álvaro Obregón, Ciudad de México. C.P. 01219 R.F.C: DME9204099R6
Enviar a:	Dell México, S.A. de C.V Av. Javier Barros Sierra, no 540, Piso 10, Col. Lomas de Santa Fe Delegación Álvaro Obregón, Ciudad de México. C.P. 01219 R.F.C: DME9204099R6
Voltaje de alimentación:	Conmutadores de DellN1100-ON Series: 100 V-240 V CA
Frecuencia:	Conmutadores de DellN1100-ON Series: 50-60 Hz
Consumo de corriente en estado fijo máximo:	Conmutadores de DellN1100-ON Series: <ul style="list-style-type: none">• Consulte la tabla 1-1

www.dell.com | dell.com/support