

Dell Networking  
N1108T-0N/N1108P-0N/  
N1108EP-0N/N1124T-0N/  
N1124P-0N/N1148T-0N/  
N1148P-0N Switches

# Getting Started Guide

Guide de mise en route  
Handbuch zum Einstieg  
Руководство по началу работы  
Priručnik za početak rada  
Guía de introducción  
Başlangıç Kılavuzu  
מדריך תחילת עבודה



Regulatory Model: E17W and E18W

Regulatory Type: E17W001/E18W001/E18W002

Dell Networking  
N1108T-0N/N1108P-0N/  
N1108EP-0N/N1124T-0N/  
N1124P-0N/N1148T-0N/  
N1148P-0N Switches  
**Getting Started Guide**



# Notes, Cautions, and Warnings



**NOTE:** A NOTE indicates important information that helps you make better use of your switch.



**CAUTION:** A CAUTION indicates either potential damage to hardware or loss of data and tells you how to avoid the problem.



**WARNING:** A WARNING indicates a potential for property damage, personal injury, or death.



## **Lithium battery caution:**

- There is a danger of explosion if a battery is incorrectly replaced. Replace only with the same or equivalent type. Dispose batteries of according to the manufacturer's instructions.
- Disposing a battery into fire, a hot oven, mechanically crushing, or cutting it can result in an explosion.
- Leaving a battery in an extremely hot environment can result in leakage of flammable liquid, gas, or an explosion.
- If a battery is subjected to extremely low air pressure, it may result in leakage of flammable liquid, gas, or an explosion.
- The device can only be used in a fixed location such as a lab or a machine room. When you install the device, ensure that the protective earthing connection of the socket-outlet is verified by a skilled person.

---

© 2019 Dell Inc. or its subsidiaries. All rights reserved. This product is protected by U.S. and international copyright and intellectual property laws. Dell and the Dell logo are trademarks of Dell Inc. in the United States and/or other jurisdictions. All other marks and names mentioned herein may be trademarks of their respective companies.

**Regulatory Models: E17W and E18W**

**May 2019 P/N Y7208 Rev. A01**

# Contents

1	Introduction . . . . .	5
	<b>N1100-ON Series Hardware Overview . . . . .</b>	<b>5</b>
	Power Consumption for N1100-ON Series PoE Switches . . . . .	5
	Ventilation System . . . . .	6
	<b>N1100-ON Series Model Summary . . . . .</b>	<b>7</b>
2	N1108T-ON/N1108P-ON/N1108EP-ON Installation . . . . .	8
	<b>Mounting an N1108T-ON/N1108P-ON Switch Using     Dell Tandem Tray . . . . .</b>	<b>8</b>
	<b>Mounting an N1108T-ON/N1108P-ON/N1108EP-ON     on a Two-Post Rack Using Large L-brackets . . . . .</b>	<b>9</b>
	<b>Mounting all N11xx-ON Switches on a Wall . . . . .</b>	<b>10</b>
3	N1124T-ON/N1124P-ON/N1148T-ON/ N1148P-ON Installation . . . . .	13
	<b>Rack Mounting an N1124T-ON/N1124P-ON/     N1148T-ON/ N1148P-ON Switch. . . . .</b>	<b>13</b>
	Installing in a Rack . . . . .	13
	Installing as a Free-standing Switch . . . . .	14
	<b>Stacking Multiple N1124T-ON/N1124P-ON/     N1148T-ON/ N1148P-ON Switches . . . . .</b>	<b>14</b>

4	Starting and Configuring the N1100-ON Series Switch . . . . .	15
	<b>Connecting an N1100-ON Series Switch to a Terminal</b> . . . . .	16
	<b>Connecting an N1100-ON Series Switch to a Power Source</b> . . . . .	17
	AC and DC Power Connection . . . . .	17
	<b>Booting the N1100-ON Series Switch</b> . . . . .	18
	<b>Performing the N1100-ON Series Initial Configuration</b> . . . . .	19
	Enabling Remote Management. . . . .	19
	Initial Configuration Procedure. . . . .	20
	Example Session . . . . .	21
	<b>Dell Easy Setup Wizard Console Example</b> . . . . .	22
	Next Steps . . . . .	26
5	Agency compliance . . . . .	28

# Introduction

This document provides basic information about the Dell Networking N1100-ON Series switches, including how to install a switch and perform the initial configuration. For information about how to configure and monitor switch features, refer to the *User Configuration Guide*, which is available on the Dell Support website at [dell.com/support](http://dell.com/support). See the Support website for the latest updates on documentation and firmware.



**NOTE:** Switch administrators are strongly advised to maintain Dell Networking switches on the latest version of the Dell Networking Operating System (DNOS). Dell Networking continually improves the features and functions of DNOS based on feedback from you, the customer. For critical infrastructure, pre-staging of the new release into a non-critical portion of the network is recommended to verify network configuration and operation with the new DNOS version.

## N1100-ON Series Hardware Overview

This section contains information about device characteristics and modular hardware configurations for the Dell Networking N1100-ON Series switch.

**NOTE:** The N1108EP-ON switch uses an external power adaptor. There is no mounting kit available for the N1108EP-ON external power adaptor. When installing the N1108EP-ON, place the external power adaptor away from the switch.

### Power Consumption for N1100-ON Series PoE Switches

Table 1-1 describes the power consumption for N1100-ON Series PoE switches. The PoE power budget is 60W for the N1108P-ON, 123W for the N1108EP-ON, 185W for the N1124P-ON, and 370W for the N1148P-ON.

**Table 1-1. Power Consumption for N1100-ON Series PoE Switches**

Model	Input Voltage	Power Supply Configuration	Maximum Steady Current Consumption (A)	Maximum Steady Power (W)
N1108P-ON	100V/60Hz	Main PSU	0.95A	88.64W
	110V/60Hz	Main PSU	0.87A	88.43W
	120V/60Hz	Main PSU	0.80A	88.22W
	220V/50Hz	Main PSU	0.49A	89.28W
	240V/50Hz	Main PSU	0.45A	89.70W

<b>Model</b>	<b>Input Voltage</b>	<b>Power Supply Configuration</b>	<b>Maximum Steady Current Consumption (A)</b>	<b>Maximum Steady Power (W)</b>
N1108EP-ON	100V/60Hz	54VDC External power adaptor	1.62A	157W
	110V/60Hz	54VDC External power adaptor	1.47A	157W
	120V/60Hz	54VDC External power adaptor	1.35A	157W
	220V/50Hz	54VDC External power adaptor	0.74A	157W
	240V/50Hz	54VDC External power adaptor	0.67A	157W
N1124P-ON	100V/60Hz	Main PSU	2.66A	260.66W
	110V/60Hz	Main PSU	2.38A	257.95W
	120V/60Hz	Main PSU	2.16A	256.27W
	220V/50Hz	Main PSU	1.18A	250.52W
	240V/50Hz	Main PSU	1.10A	251.25W
N1148P-ON	100V/60Hz	Main PSU	4.78A	476.03W
	110V/60Hz	Main PSU	4.32A	472.64W
	120V/60Hz	Main PSU	3.95A	470.58W
	220V/50Hz	Main PSU	2.14A	459.37W
	240V/50Hz	Main PSU	1.97A	459.06W

## Ventilation System

One fan cools the N1108T-ON/N1108P-ON switches, and two fans cool the N1024T-ON/N1024P-ON/N1048T-ON/N1048P-ON switches. The fans are not field replaceable. The N1108EP-ON is a fanless switch.

# N1100-ON Series Model Summary

**Table 1-2. N1100-ON Series Switch Regulatory Numbers**

<b>Marketing Model Name (MMN)</b>	<b>Description</b>	<b>Power Supply Unit (PSU)</b>	<b>Regulatory Model Number (RMN)</b>	<b>Regulatory Type Number (RTN)</b>
N1108T-ON	10x1G/2x1G SFP Ports	DPS-24GP	E17W	E17W001
N1108P-ON	10x1G/2x1G SFP/2xPoE+ Ports	DPS-80AP/ DPS-24GP	E17W	E17W001
N1108EP-ON	8x1G PoE+/2x1G PD/2x1G SFP Ports	ADP-280BR	E48W	E48W001
N1124T-ON	24x1G/4x10G SFP+ Ports	DPS-40AP	E18W	E18W001
N1124P-ON	24x1G/4x10G SFP+/6xPoE+ Ports	EDPS-250BF	E18W	E18W001
N1148T-ON	48x1G/4x10G SFP+ Ports	DPS-60AP	E18W	E18W002
N1148P-ON	48x1G/4x10G SFP+/12xPoE+ Port	YM-2501D	E18W	E18W002



# N1108T-ON/N1108P-ON/N1108EP-ON Installation

## Mounting an N1108T-ON/N1108P-ON Switch Using Dell Tandem Tray

The AC power connector is on the rear panel.

**!** **WARNING:** Read the safety information in the *Safety and Regulatory Information* as well as the safety information for other switches that connect to or support the switch.

**!** **WARNING:** Do not use rack mounting kits to suspend the switch from under a table or desk, or attach it to a wall.

**△** **CAUTION:** Disconnect all cables from the switch before continuing. Remove all self-adhesive pads from the underside of the switch, if they have been attached.

**△** **CAUTION:** When mounting multiple switches into a rack, mount the switches from the bottom up.

- 1 Secure the N1108T-ON/N1108P-ON switch in the Dell Tandem Tray Kit as shown in Figure 1-1.

**Figure 1-1. Dell Tandem Tray Kit**



- 2 Insert the switch into the 48.26 cm (19 inch) rack, ensuring that the rack mounting holes on the kit line up to the mounting holes in the rack.

- 3 Secure the kit to the rack with either the rack bolts or cage nuts and cage-nut bolts with washers (depending on the kind of rack you have). Fasten the bolts on the bottom before fastening the bolts on the top.

## Mounting an N1108T-ON/N1108P-ON/N1108EP-ON on a Two-Post Rack Using Large L-brackets

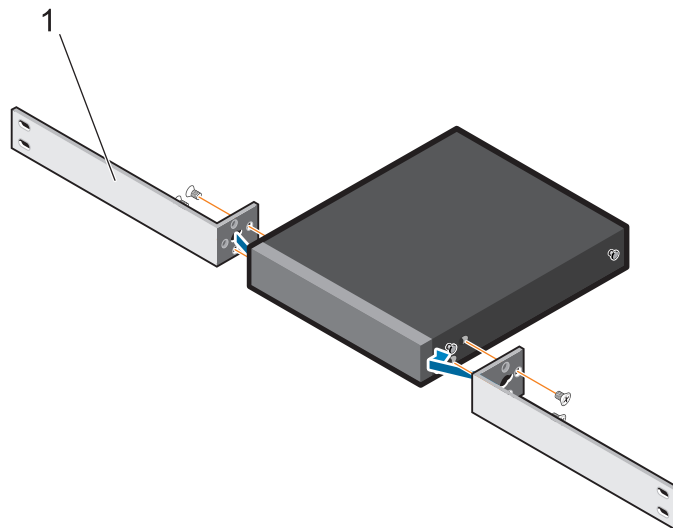
**NOTE:** The AC power connector is on the rear panel of the N1108T-ON/N1108P-ON switches. The DC power connector for the N1108EP-ON is at the center of the rear panel.

**NOTE:** The N1108EP-ON switch uses an external power adaptor. There is no mounting kit available for the N1108EP-ON external power adaptor. When installing the N1108EP-ON, place the external power adaptor away from the switch.

**CAUTION:** As the N1108EP-ON is a fanless switch, do not place the external power adaptor on top of the switch to avoid overheating.

- 1 Place the supplied rack-mounting bracket on one side of the switch making sure that the mounting holes on the switch line up to the mounting holes on the rack mounting bracket. See item 1 in Figure 1-2.

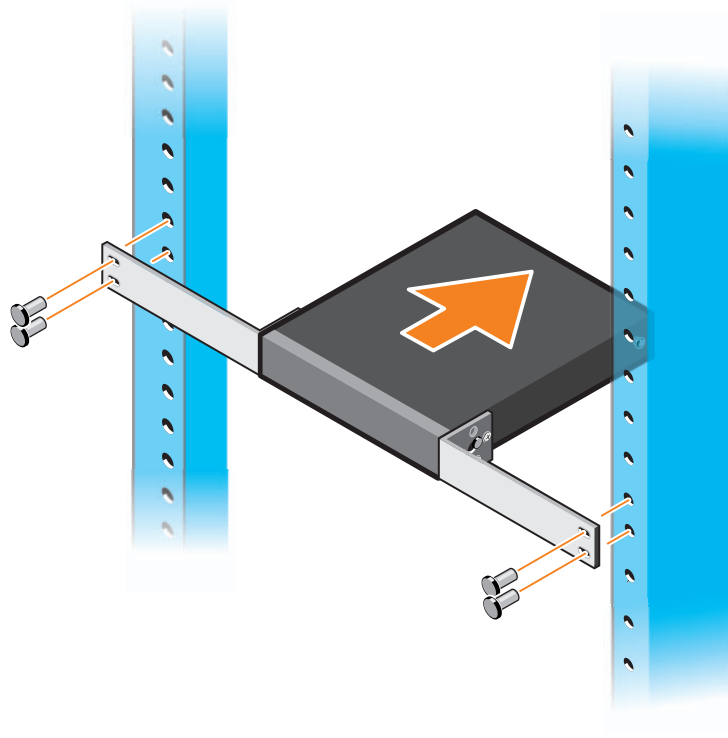
**Figure 1-2. Installing Using Large L-bracket Kit**



- 2 Insert the supplied screws into the rack mounting holes and tighten with a screwdriver.
- 3 Repeat the process on the other side of the switch.

- 4 Insert the switch and rail assembly into the rack from the front of the rack. Make sure that the rack-mounting holes on the switch line up to the mounting holes on the rack.
- 5 Secure the switch to the rack with the rack screws. Fasten the lower pair of screws before the upper pair of screws. See Figure 1-3.

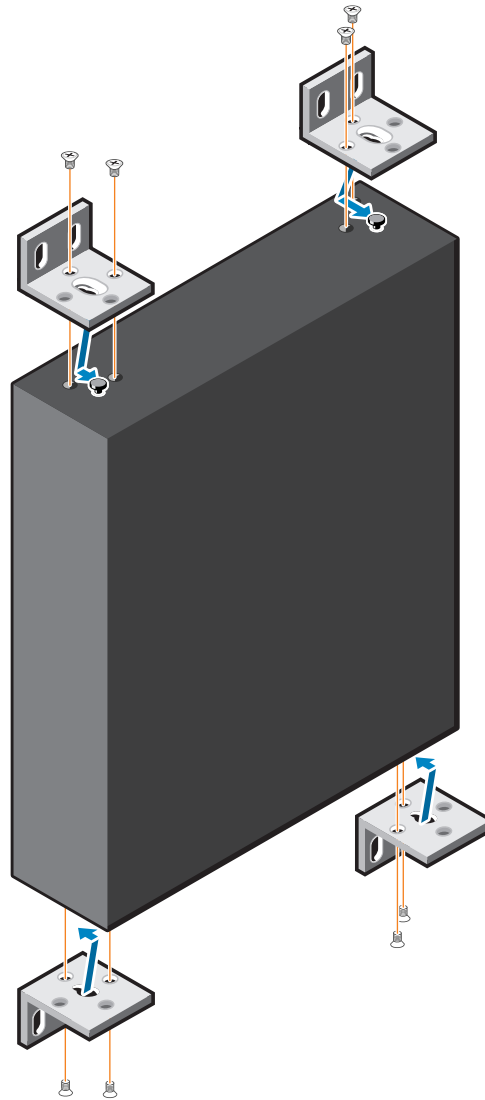
**Figure 1-3. Install on a Two-post Rack with L-Bracket**



## Mounting all N11xx-ON Switches on a Wall

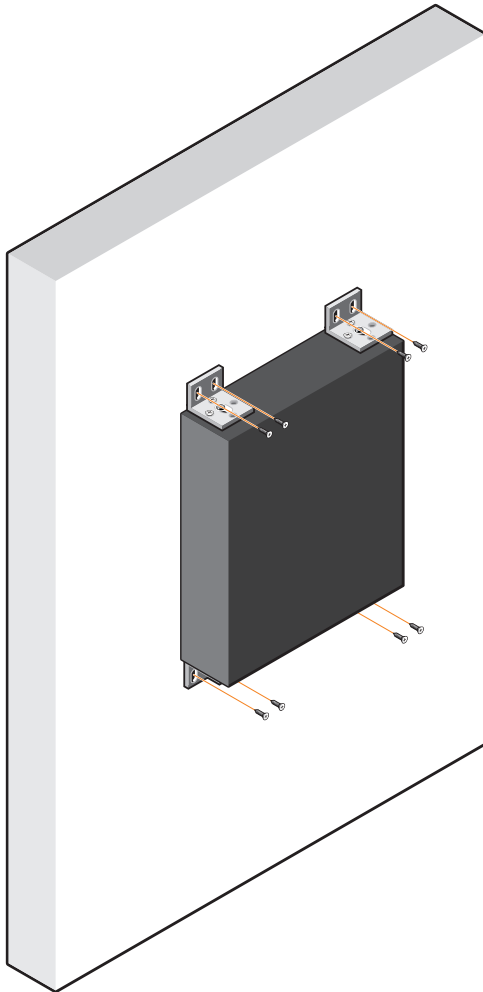
- 1 Make sure that the mounting location meets the following requirements:
  - The surface of the wall can support the switch.
  - The location is ventilated to prevent heat buildup.
- 2 Place the supplied wall-mounting bracket on one side of the switch, verifying that the mounting holes on the switch line up to the mounting holes on the wall-mounting bracket.
- 3 Insert the supplied screws into the wall-mounting bracket holes and tighten with a screwdriver. See Figure 1-4.

**Figure 1-4. Inserting Mounting Brackets**



- 4** Repeat the process for the wall-mounting bracket on the other side of the switch.
- 5** Place the switch on the wall in the location where the switch is being installed.
- 6** Mark the locations on the wall where the screws to hold the switch must be prepared.
- 7** On the marked locations, drill the holes and place all the eight supplied anchors in the holes.
- 8** Insert the supplied screws into the wall-mounting bracket holes and tighten them with a screwdriver. See Figure 1-5.

**Figure 1-5. Mounting on a Wall**



# N1124T-0N/N1124P-0N/N1148T-0N/ N1148P-0N Installation

## Rack Mounting an N1124T-0N/N1124P-0N/ N1148T-0N/ N1148P-0N Switch

**⚠ WARNING:** Read the safety information in the *Safety and Regulatory Information* as well as the safety information for other switches that connect to or support the switch.

The AC power connector is on the rear panel of the switch.

### Installing in a Rack

**⚠ WARNING:** Do not use rack mounting kits to suspend the switch from under a table or desk, or attach it to a wall.

**⚠ CAUTION:** Disconnect all cables from the switch before continuing. Remove all self-adhesive pads from the underside of the switch, if they have been attached.

**⚠ CAUTION:** When mounting multiple switches into a rack, mount the switches from the bottom up.


- 1 Place the supplied rack-mounting bracket on one side of the switch, ensuring that the mounting holes on the switch line up to the mounting holes in the rack-mounting bracket. Figure 1-6 illustrates where to mount the brackets.

**Figure 1-6. Attaching the Brackets**



- 2 Insert the supplied bolts into the rack-mounting holes and tighten with a screwdriver.
- 3 Repeat the process for the rack-mounting bracket on the other side of the switch.
- 4 Insert the switch into the 48.26 cm (19 inch) rack, ensuring that the rack-mounting holes on the bracket line up with the mounting holes in the rack.
- 5 Secure the bracket to the rack with either the rack bolts or cage nuts and cage-nut bolts with washers (depending on the kind of rack you have). Fasten the bolts on the bottom before fastening the bolts on the top.

 **CAUTION:** Make sure that the supplied rack bolts fit the pre-threaded holes in the rack.

 **NOTE:** Make sure that the ventilation holes are not obstructed.

## Installing as a Free-standing Switch

 **NOTE:** Dell strongly recommends mounting the switch in a rack.

Install the switch on a flat surface if you are not installing it in a rack. The surface must be able to support the weight of the switch and the switch cables. The switch is supplied with four self-adhesive rubber pads.

- 1 Attach the self-adhesive rubber pads on each location marked on the bottom of the switch.
- 2 Set the switch on a flat surface, and make sure that it has proper ventilation by leaving 5 cm (2 inches) on each side and 13 cm (5 inches) at the back.

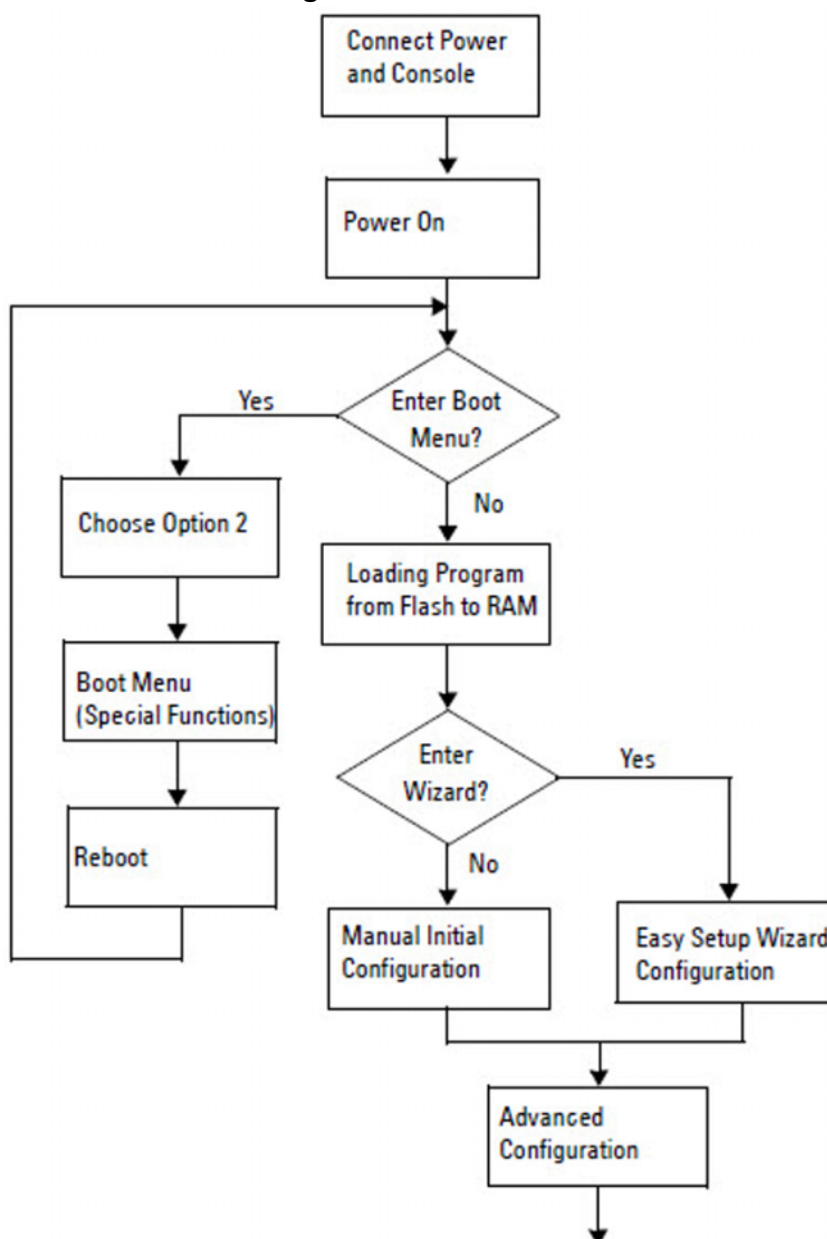
## Stacking Multiple N1124T-ON/N1124P-ON/ N1148T-ON/ N1148P-ON Switches

You can stack N1124T-ON/N1124P-ON/N1148T-ON/ N1148P-ON switches up to four switches high using 10G SFP+ ports on the front of the switch. The ports must be configured to support stacking. When multiple switches are connected together through the stack ports, they operate as a single unit with up to 208 front-panel ports. The stack operates and is managed as a single entity. Refer to the *User Configuration Guide* and the *CLI Reference Guide* for more information.

# Starting and Configuring the N1100-ON Series Switch

The following flow chart provides an overview of the steps you use to perform the initial configuration after the switch is unpacked and mounted.


**Figure 1-7. Installation and Configuration Flow Chart**






# Connecting an N1100-ON Series Switch to a Terminal

After completing all external connections, configure the switch by connecting it to a terminal.

 **NOTE:** Read the Release Notes for this product before proceeding. You can download the Release Notes from the Dell Support website at [dell.com/support](http://dell.com/support).

 **NOTE:** Dell recommends that you obtain the most recent version of the user documentation from the Dell Support website at [dell.com/support](http://dell.com/support).

To monitor and configure the switch via the USB console, use the console port on the front panel of the switch to connect it to a computer running VT100 terminal emulation software using the supplied USB cable. It may be necessary to download and install a driver on first use of the USB cable.

The following equipment is required to use the console port:

- VT100-compatible computer with a USB port running VT100 terminal emulation software, such as HyperTerminal® and a USB driver.
- The supplied USB cable with a type B USB connector for the console port and USB connector for the host PC.

Perform the following tasks to connect a terminal to the switch console port:

- 1** Connect the USB type B connector on the supplied switch and connect the other end to a computer running VT100 terminal emulation software.
- 2** Configure the terminal emulation software as follows:
  - a** Select the appropriate serial port (for example, COM 1) to connect to the console.
  - b** Set the data rate to 115,200 baud.
  - c** Set the data format to 8 data bits, 1 stop bit, and no parity.
  - d** Set the flow control to none.
  - e** Set the terminal emulation mode to VT100.
  - f** Select Terminal keys for Function, Arrow, and Ctrl keys. Make sure that the setting is for Terminal keys (not Microsoft Windows keys).
- 3** Connect the USB type B connector on the cable directly to the switch console port. The Dell Networking console port is located on the right side of the front panel and is labeled with a |O|O| symbol.



**NOTE:** Console access to the stack manager is available from any console port via the local CLI. Only one USB console session at a time is supported.

## Connecting an N1100-ON Series Switch to a Power Source



**CAUTION:** Read the safety information in the *Safety and Regulatory Information* manual as well as the safety information for other switches that connect to or support the switch.

The N1108T-ON and N1108P-ON models have one internal power supply. The power receptacle is on the rear panel. N1108EP-ON uses an external DC power adaptor. The external DC power adaptor

### AC and DC Power Connection

- 1 Make sure that the switch console port is connected to a PC running a VT100 terminal emulator via the USB to USB Type B cable.
- 2 Using a 5-foot (1.5 m) standard power cable with safety ground connected, connect the power cable to the AC main receptacle located on the rear panel.

The PoE model switches have a heavy-duty power cable with a notched connector for the switch power receptacle. Use of this type of cable is mandatory for PoE-capable switches.

- 3 Connect the power cable to a grounded AC outlet.

## Booting the N1100-ON Series Switch

When the power is turned on with the local terminal already connected, the switch goes through a power-on self-test (POST). POST runs every time the switch is initialized and checks hardware components to determine if the switch is fully operational before completely booting. If POST detects a critical problem, the program flow stops. If POST passes successfully, valid firmware is loaded into RAM. POST messages are displayed on the terminal and indicate test success or failure. The boot process runs for approximately 60 seconds.

You can invoke the **Boot** menu after the first part of the POST is completed. From the **Boot** menu, you can perform configuration tasks such as resetting the system to factory defaults, activating the backup image, or recovering a password. For more information about the **Boot** menu functions, refer to the *CLI Reference Guide*.

# Performing the N1100-ON Series Initial Configuration

The initial configuration procedure is based on the following assumptions:

- The Dell Networking switch was never configured before.
- The Dell Networking switch booted successfully.
- The console connection was established, and the **Dell Easy Setup Wizard** prompt appears on the screen of a PC running terminal emulation software.

The initial switch configuration is performed through the console port. After the initial configuration, you can manage the switch from the already-connected console port or remotely through an interface defined during the initial configuration.



**NOTE:** The switch is not configured with a default user name, password, or IP address.

Before setting up the initial configuration of the switch, obtain the following information from your network administrator:

- The IP address to be assigned to the management interface.
- The IP subnet mask for the network.
- The IP address of the management interface default gateway.

These settings are necessary to allow the remote management of the switch through Telnet (Telnet client) or HTTP (Web browser).

## Enabling Remote Management

On the N1100-ON Series switches, you can use any of the switch ports on the front panel for in-band management. By default, all in-band ports are members of VLAN 1.

The **Dell Easy Setup Wizard** includes prompts to configure network information for the VLAN 1 interface on the N1100-ON Series switches. You can assign a static IP address and subnet mask or enable DHCP and allow a network DHCP server to assign the information.

Refer to the *CLI Reference Guide* for commands to configure network information.

## Initial Configuration Procedure

Perform the initial configuration by using the **Dell Easy Setup Wizard** or by using the CLI. The wizard automatically starts when the switch configuration file is empty. Exit the wizard at any point by entering [ctrl+z], but all configuration settings specified will be discarded, and the switch will use the default values.



**NOTE:** If you do not run the **Dell Easy Setup Wizard** or do not respond to the initial Easy Setup Wizard prompt within 60 seconds, the switch enters CLI mode. You must reset the switch with an empty startup configuration in order to rerun the **Dell Easy Setup Wizard**.

For more information about performing the initial configuration by using the CLI, refer to the *CLI Reference Guide*. This *Getting Started Guide* shows how to use the **Dell Easy Setup Wizard** for initial switch configuration. The wizard sets up the following configuration on the switch:

- Establishes the initial privileged user account with a valid password. The wizard configures one privileged user account during the setup.
- Enables CLI login and HTTP access to use the local authentication setting only.
- Sets up the IP address for the VLAN 1 routing interface, of which all in-band ports are members.
- Sets up the SNMP community string to be used by the SNMP manager at a given IP address. Skip this step if SNMP management is not used for this switch.
- Allows you to specify the network management system IP address or permit management access from all IP addresses.
- Configures the default gateway IP address for the VLAN 1 interface.

## Example Session

This section describes a **Dell Easy Setup Wizard** session. The following values are used by the example session:

- The SNMP community string to be used is **public**.
- The network management system (NMS) IP address is **10.1.2.100**.
- The user name is **admin**, and the password is **admin123**.
- The IP address for the VLAN 1 routing interface is **10.1.1.200** with a subnet mask of **255.255.255.0**.
- The default gateway is **10.1.1.1**.

The setup wizard configures the initial values as defined above. After completing the wizard, the switch is configured as follows:

- SNMPv2 is enabled and the community string is set up as defined above. SNMPv3 is disabled by default.
- The admin user account is set up as defined.
- A network management system is configured. From the management station, you can access the SNMP, HTTP, and CLI interfaces. You may also choose to allow all IP addresses to access these management interfaces by choosing the (0.0.0.0) IP address.
- An IP address is configured for the VLAN 1 routing interface.
- A default gateway address is configured.



**NOTE:** In the following example, the possible user options or default values are enclosed in [ ]. If you press <Enter> with no options defined, the default value is accepted. Help text is in parentheses.

## Dell Easy Setup Wizard Console Example

The following example contains the sequence of prompts and responses associated with running an example **Dell Easy Setup Wizard** session, using the input values listed earlier.

After the switch completes the POST and is booted, the following dialog appears:

```
Unit 1 - Waiting to select management unit)>
```

```
_____Dell SupportAssist EULA_____
```

```
I accept the terms of the license agreement. You can reject the license agreement by configuring this command 'eula-consent support-assist reject'.
```

```
By installing SupportAssist, you allow Dell to save your contact information (e.g. name, phone number and/or email address) which would be used to provide technical support for your Dell products and services Dell may use the information for providing recommendations to improve your IT infrastructure. Dell SupportAssist also collects and stores machine diagnostic information, which may include but is not limited to configuration information, user supplied contact information, names of data volumes, IP addresses, access control lists, diagnostics & performance information, network configuration information, host/server configuration & performance information and related data (Collected Data) and transmits this information to Dell. By downloading SupportAssist and agreeing to be bound by these terms and the Dell end user license agreement, available at: http://www.dell.com/aeula, you agree to allow Dell to provide remote monitoring services of your IT environment and you give Dell the right to collect the Collected Data in accordance with Dell's Privacy Policy, available at: http://www.dell.com/privacypolicycountryspecific, in order to enable the performance of all of the various functions of SupportAssist during your entitlement to
```

receive related repair services from Dell. You further agree to allow Dell to transmit and store the Collected Data from SupportAssist in accordance with these terms. You agree that the provision of SupportAssist may involve international transfers of data from you to Dell and/or to Dell's affiliates, subcontractors or business partners. When making such transfers, Dell shall ensure appropriate protection is in place to safeguard the Collected Data being transferred in connection with SupportAssist. If you are downloading SupportAssist on behalf of a company or other legal entity, you are further certifying to Dell that you have appropriate authority to provide this consent on behalf of that entity. If you do not consent to the collection, transmission and/or use of the Collected Data, you may not download, install or otherwise use SupportAssist.

\_\_\_\_\_AeroHive HiveManager NG EULA\_\_\_\_\_

This switch includes a feature that enables it to work with HiveManager (an optional management suite), by sending the switch's service tag number and IP Address to HiveManager to authenticate your entitlement to use HiveManager. If you wish to disable this feature, you should run command 'eula-consent hiveagent reject' immediately upon powering up the switch for the first time, or at any time thereafter.

Applying Global configuration, please wait...

Welcome to Dell Easy Setup Wizard

The setup wizard guides you through the initial switch configuration, and gets you up and running as quickly as possible. You can skip the setup wizard, and enter CLI mode to manually configure the switch. You must respond to the next question to run the setup wizard within 60 seconds, otherwise the system will continue



with normal operation using the default system configuration. Note: You can exit the setup wizard at any point by entering [ctrl+z].

Would you like to run the setup wizard (you must answer this question within 60 seconds)? [Y/N] **y**

Step 1:

The system is not set up for SNMP management by default. To manage the switch using SNMP (required for Dell Network Manager) you can

- . Set up the initial SNMP version 2 account now.
- . Return later and set up other SNMP accounts. (For more information on setting up an SNMP version 1 or 3 account, see the user documentation).


Would you like to set up the SNMP management interface now? [Y/N] **y**

To set up the SNMP management account you must specify the management system IP address and the "community string" or password that the particular management system uses to access the switch. The wizard automatically assigns the highest access level [Privilege Level 15] to this account. You can use Dell Network Manager or other management interfaces to change this setting, and to add additional management system information later. For more information on adding management systems, see the user documentation.

To add a management station:

Please enter the SNMP community string to be used.

[public]: **public**

 **NOTE:** If it is configured, the default access level is set to the highest available access for the SNMP management interface. Initially only SNMPv2 will be activated. SNMPv3 is disabled until you return to configure security access for SNMPv3 (e.g. engine ID, view, etc.).

Please enter the IP address of the Management System (A.B.C.D) or wildcard (0.0.0.0) to manage from any Management Station. [0.0.0.0]: **10.1.2.100**

## Step 2:

Now we need to set up your initial privilege (Level 15) user account. This account is used to login to the CLI and Web interface. You may set up other accounts and change privilege levels later. For more information on setting up user accounts and changing privilege levels, see the user documentation.

To set up a user account:

```
Please enter the user name. [root]:admin
Please enter the user password: *****
Please reenter the user password: *****
```

## Step 3:

Next, an IP address is set up on the VLAN 1 routing interface.

You can use the IP address to access the CLI, Web interface, or SNMP interface of the switch.

To access the switch through any Management Interface you can

- . Set up the IP address for the Management Interface.
- . Set up the default gateway if IP address is manually configured on the routing interface.

## Step 4:

```
Would you like to set up the VLAN1 routing interface now? [Y/N] y
```

```
Please enter the IP address of the device (A.B.C.D) or enter "DHCP" (without the quotes) to automatically request an IP address from the network DHCP server:  
10.1.1.200
```

```
Please enter the IP subnet mask (A.B.C.D or /nn):  
255.255.255.0
```

## Step 5:

Finally, set up the default gateway. Please enter the IP address of the gateway from which this network is reachable. [0.0.0.0]: **10.1.1.1**

This is the configuration information that has been collected:

```
SNMP Interface = "public"@10.1.2.100
User Account setup = admin
Password = *****
VLAN1 Router Interface IP = 10.1.1.200 255.255.255.0
Default Gateway = 10.1.1.1
```

Step 6:

If the information is correct, please enter (Y) to save the configuration and copy the settings to the start-up configuration file. If the information is incorrect, enter (N) to discard the configuration and restart the wizard: [Y/N] **y**

Thank you for using the Dell Easy Setup Wizard. You will now enter CLI mode.

Applying Interface configuration, please wait...

## Next Steps

After completing the initial configuration described in this section, connect any of the front-panel switch ports to a production network for in-band remote management.

If you specified DHCP for the VLAN 1 management interface IP address, the interface will acquire its IP address from a DHCP server on the network. To discover the dynamically assigned IP address, use the console port connection to issue the following command:

- For the VLAN 1 routing interface, enter **show ip interface**.

To access the Dell OpenManage Switch Administrator interface, enter the VLAN 1 management interface IP address into the address field of a Web browser. For remote management access to the CLI, enter the VLAN 1 management interface IP address into a Telnet or SSH client. Alternatively, continue to use the console port for local CLI access to the switch.

The N1100-ON Series switches support basic switching features such as VLANs and spanning tree protocol. Use the Web-based management interface or the CLI to configure the features your network requires. For information about how to configure the switch features, refer to the *User Configuration Guide* or *CLI Reference Guide* available on the support site: [dell.com/support](http://dell.com/support).

# Agency compliance

The N1108T-ON, N1108P-ON, N1108EP-ON, N1124T-ON, N1124P-ON, N1148T-ON, and N1148P-ON switches comply with the following safety and agency requirements:

## European Union EMC directive conformance statement

This product is in conformity with the protection requirements of EU Council Directive 2004/30/EC on the approximation of the laws of the Member States relating to electromagnetic compatibility. Dell EMC cannot accept responsibility for any failure to satisfy the protection requirements resulting from a non-recommended modification of this product, including the fitting of non-Dell EMC option cards.

This product has been tested and found to comply with the limits for Class A Information Technology Equipment according to CISPR 32/CISPR34 and EN55032 / EN55034. The limits for Class A equipment were derived for commercial and industrial environments to provide reasonable protection against interference with licensed communication equipment.

**WARNING: This is a Class A product. In a domestic environment, this device may cause radio interference, in which case, you may be required to take adequate measures.**

European Community Contact:

Dell EMC, EMEA - Central

Dahlienweg 19

66265 Heusweiler

Germany

Tel: +49 172 6802630

Email: EMEA Central Sales

## India certification of compliance

The product conforms to the relevant *Essential Requirements of Telecommunication Engineering Centre (TEC)* regulations.

## **Safety standards and compliance agency certifications**

- IEC 62368-1, 2nd Edition
- CUS UL 60950-1, 2nd Edition
  - Meets or exceeds Hi Pot and Ground Continuity testing per UL 60950-1.
- AS/NZS 60950
- CSA 60950-1-03, 2nd Edition
- EN 60950-1, 2nd Edition
- EN 60825-1, 1st Edition
- EN 60825-1 Safety of Laser Products—Part 1: Equipment Classification Requirements and User's Guide
- EN 60825-2 Safety of Laser Products—Part 2: Safety of Optical Fibre Communication Systems
- FDA Regulation 21CFR 1040.10 and 1040.11
- IEC 60950-1, 2nd Ed, including all National Deviations and Group Differences

## **Electromagnetic compatibility**

### **Emissions**

- International: CISPR 32: Class A
- Australia/New Zealand: AS/NZS CISPR 32, Class A
- Canada: ICES-003, Issue-4, Class A
- Europe: EN55032:2015 (CISPR 32), Class A
- EN55032
- Japan: VCCI Class A
- Korea: KN32, Class A
- Taiwan: CNS13438, Class A
- USA: FCC CFR47 Part 15, Subpart B, Class A

## Immunity

- EN 300 386 EMC for Network Equipment
- EN 55024
- EN 61000-3-2 Harmonic Current Emissions
- EN 61000-3-3 Voltage Fluctuations and Flicker
- EN 61000-4-2 ESD
- EN 61000-4-3 Radiated Immunity
- EN 61000-4-4 EFT
- EN 61000-4-5 Surge
- EN 61000-4-6 Low Frequency Conducted Immunity

## Product recycling and disposal

You must recycle or discard this system according to applicable local and national regulations. Dell EMC encourages owners of information technology (IT) equipment to responsibly recycle their equipment when it is no longer needed. Dell EMC offers a variety of product return programs and services in several countries to assist equipment owners in recycling their IT products.

## Waste Electrical and Electronic Equipment (WEEE) directive for recovery, recycle, and reuse of IT and telecommunications products

Dell EMC switches are labeled in accordance with European Directive 2002/96/EC concerning waste electrical and electronic equipment (WEEE). The Directive determines the framework for the return and recycling of used appliances as applicable throughout the European Union. This label is applied to various products to indicate that the product is not to be thrown away, but rather reclaimed upon end of life per this Directive.

**Figure 1-8. The European WEEE symbol**



In accordance with the European WEEE Directive, electrical and electronic equipment (EEE) is to be collected separately and to be reused, recycled, or recovered at end of life. Users of EEE with the WEEE marking per Annex IV of the WEEE Directive, as shown above, must not dispose of end of life EEE as unsorted municipal waste, but use the collection framework available to customers for the return, recycling and recovery of WEEE. Customer participation is important to minimize any potential effects of EEE on the environment and human health due to the potential presence of hazardous substances in EEE.

Dell EMC products, which fall within the scope of the WEEE, are labeled with the crossed-out wheeled-bin symbol, as shown above, as required by WEEE.

For information on Dell EMC product recycling offerings, see the WEEE Recycling instructions on the Support page. For more information, contact the Dell EMC Technical Assistance Center.

.





Dell Networking  
N1108T-0N/N1108P-0N/  
N1108EP-0N/N1124T-0N/  
N1124P-0N/N1148T-0N/  
N1148P-0N

# Guide de mise en route



# Remarques, précautions et avertissements



**REMARQUE:** REMARQUE signale des informations importantes qui vous aident à mieux utiliser votre commutateur.



**PRÉCAUTION:** Une PRÉCAUTION indique un risque d'endommagement du matériel ou de perte de données et vous indique comment éviter le problème.



**AVERTISSEMENT:** Un AVERTISSEMENT indique un risque d'endommagement du matériel, de blessures corporelles ou même de mort.



**Précaution au sujet des batteries au lithium :**

- Il existe un danger d'explosion dans le cas où une batterie ne serait pas remplacée correctement. Remplacez la batterie uniquement par une batterie identique ou de type équivalent. Mettez les batteries usagées au rebut selon les instructions du fabricant.
- Jeter une batterie dans un feu, un four haute température, l'écraser mécaniquement ou la couper peut entraîner son explosion.
- Laisser la batterie dans un milieu extrêmement chaud peut entraîner des fuites de liquide ou de gaz inflammable ou entraîner une explosion.
- Soumettre la batterie à une faible pression atmosphérique peut entraîner une fuite de liquide ou de gaz inflammable ou une explosion.
- L'appareil doit uniquement être utilisé dans un emplacement fixe, tel qu'un laboratoire ou une salle des machines. Lors de l'installation de l'appareil, assurez-vous de faire vérifier le branchement de mise à la terre de la prise par une personne compétente.

---

© 2019 Dell Inc. ou ses filiales. Tous droits réservés. Le présent produit est protégé par les législations américaine et internationale sur le droit d'auteur et la propriété intellectuelle. Dell et le logo Dell sont des marques de Dell Inc. aux États-Unis et/ou dans d'autres pays. Toutes les autres marques et tous les noms de produits mentionnés dans ce document peuvent être des marques de leurs sociétés respectives.

Modèles réglementaires : E17W et E18W

Mai 2019 N/P Y7208 Rév. A01

# Table des matières

1	Introduction . . . . .	37
	<b>Présentation du matériel Série N1100-ON . . . . .</b>	<b>37</b>
	Consommation électrique des commutateurs	
	PoE Série N1100-ON . . . . .	37
	Système de ventilation . . . . .	39
	<b>Résumé du modèle Série N1100-ON. . . . .</b>	<b>39</b>
2	Installation des commutateurs	
	N1108T-ON/N1108P-ON/N1108EP-ON . . . . .	40
	<b>Montage d'un commutateur N1108T-ON/N1108P-ON</b>	
	<b>à l'aide d'un plateau tandem Dell . . . . .</b>	<b>40</b>
	<b>Montage d'un commutateur N1108T-ON/N1108P-ON/</b>	
	<b>N1108EP-ON sur un rack à deux montants à l'aide</b>	
	<b>de grands supports en L . . . . .</b>	<b>41</b>
	<b>Montage mural pour tous les commutateurs</b>	
	<b>N11xx-ON . . . . .</b>	<b>42</b>
3	Installation des N1124T-ON/	
	N1124P-ON/N1148T-ON/ N1148P-ON . . . . .	45
	<b>Montage en rack d'un commutateur N1124T-ON/</b>	
	<b>N1124P-ON/ N1148T-ON/ N1148P-ON . . . . .</b>	<b>45</b>
	Installation dans un rack . . . . .	45
	Installation en tant que commutateur autonome . . . . .	46
	<b>Empilage de plusieurs commutateurs N1124T-ON/</b>	
	<b>N1124P-ON/ N1148T-ON/ N1148P-ON . . . . .</b>	<b>46</b>

4	Démarrage et configuration des commutateurs Série N1100-ON . . . . .	47
	<b>Connexion d'un commutateur Série N1100-ON à un terminal . . . . .</b>	<b>48</b>
	<b>Série N1100-ON Connexion d'un commutateur à une source d'alimentation . . . . .</b>	<b>49</b>
	Connexion du câble d'alimentation secteur et CC . . . . .	49
	<b>Démarrage du commutateur Série N1100-ON . . . . .</b>	<b>50</b>
	<b>Réalisation de la configuration initiale du Série N1100-ON . . . . .</b>	<b>51</b>
	Activation de la gestion à distance. . . . .	51
	Procédure de configuration initiale. . . . .	52
	Exemple de session. . . . .	53
	Exemple de la console <b>Assistant Dell d'installation facile</b> . . . . .	54
	Étapes suivantes . . . . .	58
5	Conformité avec les organismes . . . . .	60

# Introduction

Ce document fournit des informations de base concernant les commutateurs Dell Networking Série N1100-ON, y compris leur installation et leur configuration initiale. Pour en savoir plus sur la façon de configurer et surveiller les fonctions du commutateur, reportez-vous au *User Configuration Guide* (*Guide de configuration utilisateur*), qui est disponible sur le site Web du support de Dell [dell.com/support](http://dell.com/support). Consultez le site web du support pour obtenir les dernières mises à jour de la documentation et du micrologiciel.



**REMARQUE:** Il est fortement recommandé aux administrateurs des commutateurs de veiller à ce que les commutateurs Dell Networking soient toujours équipés de la version la plus récente de DNOS Dell Networking, le système d'exploitation Dell Networking. Dell Networking améliore en permanence les caractéristiques et les fonctions de DNOS à partir des commentaires de nos clients. Pour les infrastructures critiques, il est recommandé de pré-activer la nouvelle version dans une partie non critique du réseau afin de vérifier la configuration réseau et le bon fonctionnement avec la nouvelle version DNOS.

## Présentation du matériel Série N1100-ON

Cette section contient des informations relatives aux caractéristiques de l'appareil et aux configurations matérielles modulaires du commutateur Dell Networking Série N1100-ON.

**REMARQUE:** Le commutateur N1108EP-ON utilise un adaptateur secteur externe. Aucun kit de montage n'est disponible pour l'adaptateur secteur externe du commutateur N1108EP-ON. Lors de l'installation du commutateur N1108EP-ON, placez l'adaptateur secteur externe à l'écart du commutateur.

## Consommation électrique des commutateurs PoE Série N1100-ON

Le Tableau 1-1 décrit la consommation d'énergie des commutateurs PoE Série N1100-ON. Le bilan de puissance des commutateurs PoE est de 60 W pour les modèles N1108P-ON, de 123 W pour les modèles N1108EP-ON, de 185 W pour les modèles N1124P-ON et de 370 W pour les modèles N1148P-ON.

**Tableau 1-1. Consommation électrique des commutateurs PoE Série N1100-ON**

<b>Modèle</b>	<b>Tension d'entrée</b>	<b>Configuration du bloc d'alimentation</b>	<b>Consommation maximale de courant constant (A)</b>	<b>Puissance constante maximale (en W)</b>
N1108P-ON	100 V/60 Hz	PSU principal	0,95 A	88,64 W
	110 V/60 Hz	PSU principal	0,87 A	88,43 W
	120 V/60 Hz	PSU principal	0,80 A	88,22 W
	220 V/50 Hz	PSU principal	0,49 A	89,28 W
	240 V/50 Hz	PSU principal	0,45 A	89,70 W
N1108EP-ON	100 V/60 Hz	Adaptateur secteur externe 54 VCC	1,62 A	157 W
	110 V/60 Hz	Adaptateur secteur externe 54 VCC	1,47 A	157 W
	120 V/60 Hz	Adaptateur secteur externe 54 VCC	1,35 A	157 W
	220 V/50 Hz	Adaptateur secteur externe 54 VCC	0,74 A	157 W
	240 V/50 Hz	Adaptateur secteur externe 54 VCC	0,67 A	157 W
N1124P-ON	100 V/60 Hz	PSU principal	2,66 A	260,66 W
	110 V/60 Hz	PSU principal	2,38 A	257,95 W
	120 V/60 Hz	PSU principal	2,16 A	256,27 W
	220 V/50 Hz	PSU principal	1,18 A	250,52 W
	240 V/50 Hz	PSU principal	1,10 A	251,25 W
N1148P-ON	100 V/60 Hz	PSU principal	4,78 A	476,03 W
	110 V/60 Hz	PSU principal	4,32 A	472,64 W
	120 V/60 Hz	PSU principal	3,95 A	470,58 W
	220 V/50 Hz	PSU principal	2,14 A	459,37 W
	240 V/50 Hz	PSU principal	1,97 A	459,06 W

## Système de ventilation

Un seul ventilateur refroidit les commutateurs N1108T-ON/N1108P-ON et deux ventilateurs refroidissent les commutateurs N1024T-ON/N1024P-ON/N1048T-ON/N1048P-ON. Les ventilateurs ne sont pas remplaçables sur le terrain. Le commutateur N1108EP-ON n'est pas équipé d'un ventilateur.

## Résumé du modèle Série N1100-ON

**Tableau 1-2. Numéros réglementaires du commutateur Série N1100-ON**

Nom de commercialisation du modèle (MMN)	Description	Bloc d'alimentation (PSU)	Numéro de modèle réglementaire (RMN)	Numéro de type réglementaire (RTN)
N1108T-ON	Ports SFP 10X1G/2x1G	DPS-24GP	E17W	E17W001
N1108P-ON	Ports 10 x 1G/2 x 1G SFP/2 x PoE+	DPS-80AP/ DPS-24GP	E17W	E17W001
N1108EP-ON	Ports 8 x 1 G PoE+/2 x 1 G PD/ 2 x 1 G SFP	ADP-280BR	E48W	E48W001
N1124T-ON	Ports 24 x 1 G/4 x 10 G SFP+	DPS-40AP	E18W	E18W001
N1124P-ON	Ports 24 x 1 G/4 x 10 G SFP+/ 6 x PoE+	EDPS-250BF	E18W	E18W001
N1148T-ON	Ports 48 x 1 G/4 x 10 G SFP+	DPS-60AP	E18W	E18W002
N1148P-ON	Port 48 x 1 G/4 x 10 G SFP+/ 12 x PoE+	YM-2501D	E18W	E18W002



# Installation des commutateurs N1108T-ON/N1108P-ON/N1108EP-ON

## Montage d'un commutateur N1108T-ON/N1108P-ON à l'aide d'un plateau tandem Dell

Le connecteur d'alimentation CA se trouve sur le panneau arrière.

**⚠ AVERTISSEMENT:** Prenez connaissance des consignes de sécurité exposées dans le manuel *Safety and Regulatory Information (Informations relatives à la réglementation et la sécurité)* ainsi que des informations relatives à la sécurité des autres commutateurs qui se connectent au commutateur ou qui le prennent en charge.

**⚠ AVERTISSEMENT:** N'utilisez pas les kits de montage en rack pour fixer le commutateur sous une table ou un bureau, ni pour une installation murale.

**⚠ PRÉCAUTION:** Déconnectez tous les câbles du commutateur avant de continuer. Retirez tous les patins adhésifs qui ont pu être fixés sous le commutateur.

**⚠ PRÉCAUTION:** Si vous installez plusieurs commutateurs dans un rack, montez-les de bas en haut.

- 1 Fixez le commutateur N1108T-ON/N1108P-ON dans le kit de plateau tandem Dell (Dell Tandem Tray Kit), comme illustré dans la Figure 1-1.

Figure 1-1. Dell Tandem Tray Kit



- 2 Insérez le commutateur dans le rack de 48,26 cm (19 pouces) en veillant à ce que les orifices de montage en rack situés sur le kit s'alignent bien sur ceux du rack.
- 3 Fixez le kit sur le rack en utilisant les boulons de rack ou les écrous à cage et les écrous à cage avec rondelles (selon le type du rack). Fixez d'abord les boulons sur le bas avant de fixer ceux du haut.

## Montage d'un commutateur N1108T-ON/N1108P-ON/N1108EP-ON sur un rack à deux montants à l'aide de grands supports en L

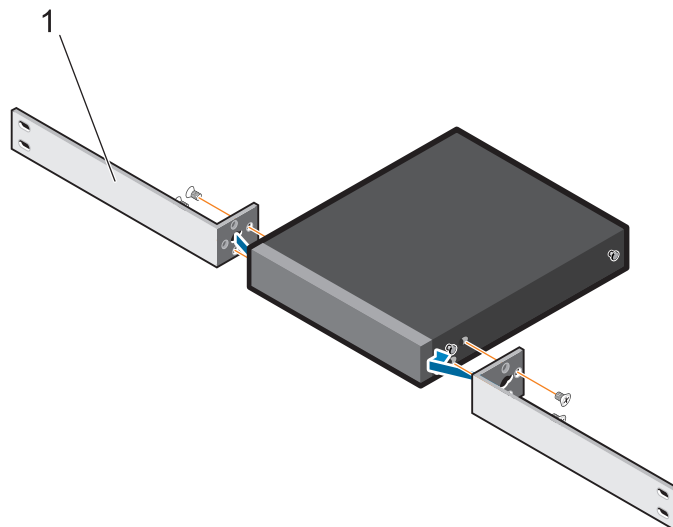
**REMARQUE:** Le connecteur d'alimentation CA se trouve sur le panneau arrière des commutateurs N1108T-ON/N1108P-ON. Le connecteur d'alimentation CC du commutateur N1108EP-ON se trouve au centre du panneau arrière.

**REMARQUE:** Le commutateur N1108EP-ON utilise un adaptateur secteur externe. Aucun kit de montage n'est disponible pour l'adaptateur secteur externe du commutateur N1108EP-ON. Lors de l'installation du commutateur N1108EP-ON, placez l'adaptateur secteur externe à l'écart du commutateur.

**PRÉCAUTION:** Comme le commutateur N1108EP-ON n'est pas équipé d'un ventilateur, ne placez pas l'adaptateur secteur externe sur la partie supérieure du commutateur afin d'éviter toute surchauffe.

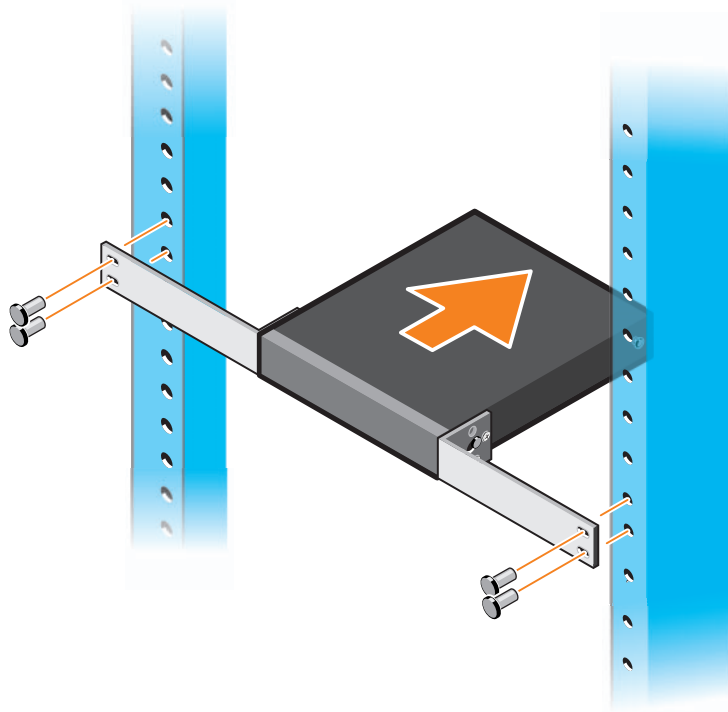
- 1 Placez le support de montage en rack fourni sur un côté du commutateur, en alignant bien les orifices de montage du commutateur avec ceux situés sur le support de montage en rack. Voir l'élément 1 dans la Figure 1-2.

Figure 1-2. Installation à l'aide d'un kit de grands supports en L



- 2 Insérez les vis fournies dans les orifices de montage en rack et serrez-les à l'aide d'un tournevis.
- 3 Répétez l'opération de l'autre côté du commutateur.
- 4 Insérez l'assemblage du commutateur et du rail dans le rack depuis l'avant du rack. Assurez-vous de bien aligner les orifices de montage en rack du commutateur avec ceux du rack.
- 5 Fixez le commutateur au rack à l'aide des vis du rack. Fixez les vis du bas avant les vis du haut. Voir la Figure 1-3.

**Figure 1-3. Installation sur un rack à deux montants avec des supports en L**

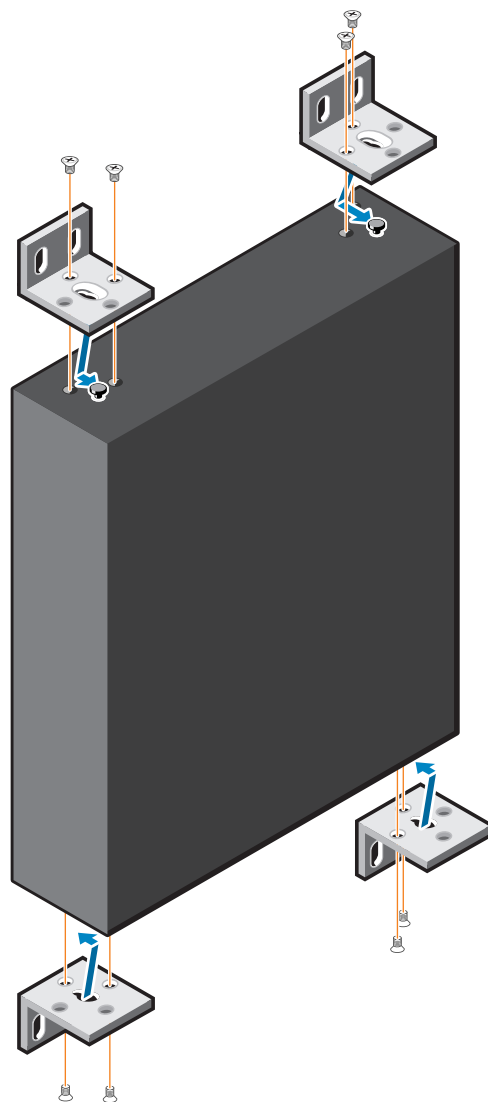


## Montage mural pour tous les commutateurs N11xx-0N

- 1 Assurez-vous que l'emplacement de l'installation répond bien aux conditions suivantes :
  - La surface du mur peut soutenir le commutateur.
  - L'emplacement est ventilé afin d'éviter une augmentation de la température.

- 2 Placez le support de montage mural fourni sur un côté du commutateur, en alignant bien les orifices de montage du commutateur avec ceux situés sur le support de montage mural.
- 3 Insérez les vis fournies dans les orifices du support de montage mural et serrez-les avec un tournevis. Voir la Figure 1-4.

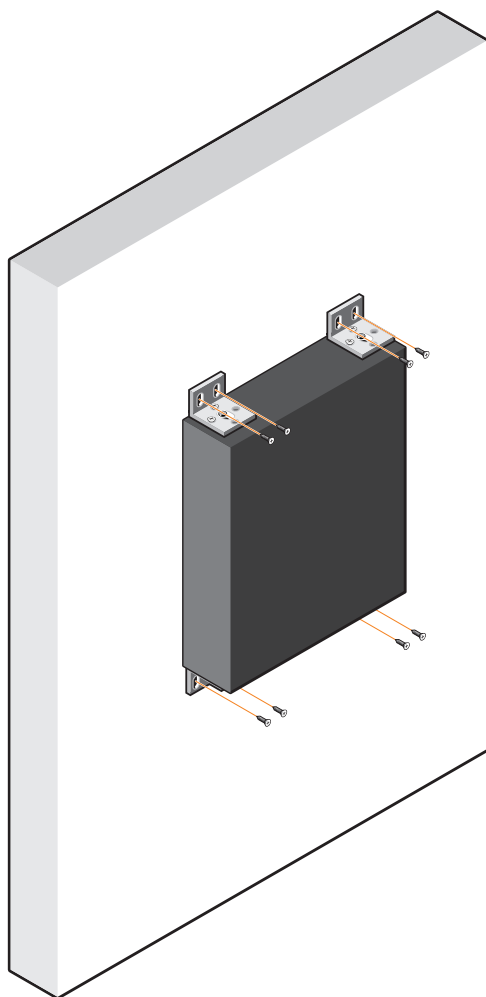
**Figure 1-4. Insertion des supports de montage**



- 4 Répétez le processus pour le support de montage mural situé de l'autre côté du commutateur.
- 5 Placez le commutateur sur le mur à l'endroit où il va être installé.
- 6 Marquez sur le mur l'emplacement des vis des supports du commutateur.

- 7** Percez les trous sur les emplacements que vous avez marqués et insérez les huit chevilles fournies dans les trous.
- 8** Insérez les vis fournies dans les orifices des supports de montage mural et serrez-les avec un tournevis. Voir la Figure 1-5.

**Figure 1-5. Montage mural**



# Installation des N1124T-ON/ N1124P-ON/N1148T-ON/ N1148P-ON

## Montage en rack d'un commutateur N1124T-ON/ N1124P-ON/ N1148T-ON/ N1148P-ON

**⚠ AVERTISSEMENT:** Prenez connaissance des consignes de sécurité exposées dans le manuel *Safety and Regulatory Information (Informations relatives à la réglementation et la sécurité)* ainsi que des informations relatives à la sécurité des autres commutateurs qui se connectent au commutateur ou qui le prennent en charge.

Le connecteur d'alimentation secteur est situé sur le panneau arrière du commutateur.

### Installation dans un rack


- ⚠ AVERTISSEMENT:** N'utilisez pas les kits de montage en rack pour fixer le commutateur sous une table ou un bureau, ni pour une installation murale.
  - ⚠ PRÉCAUTION:** Déconnectez tous les câbles du commutateur avant de continuer. Retirez tous les patins adhésifs qui ont pu être fixés sous le commutateur.
  - ⚠ PRÉCAUTION:** Si vous installez plusieurs commutateurs dans un rack, montez-les de bas en haut.
- 1** Placez sur un côté du commutateur le support de fixation en rack qui est fourni, en alignant bien les orifices de montage du commutateur avec ceux situés sur le support de montage en rack. La Figure 1-6 montre où monter les supports.

**Figure 1-6. Fixation des supports**



- 2 Insérez les boulons fournis dans les orifices de montage en rack et serrez-les à l'aide d'un tournevis.
- 3 Répétez le processus pour le support de montage situé sur l'autre côté du commutateur.
- 4 Insérez le commutateur dans le rack de 48,26 cm (19 pouces) en faisant en sorte que les orifices de montage en rack situés sur le support s'alignent sur ceux du rack.
- 5 Fixez le support sur le rack en utilisant les boulons de rack ou les écrous à cage et les écrous à cage avec rondelles (selon le type du rack). Fixez d'abord les boulons sur le bas avant de fixer ceux du haut.

 **PRÉCAUTION:** Assurez-vous que les boulons de rack fournis sont bien adaptés aux orifices préfiletés du rack.

 **REMARQUE:** Assurez-vous que rien n'obstrue les orifices de ventilation.

### Installation en tant que commutateur autonome

 **REMARQUE:** Dell recommande vivement de monter le commutateur dans un rack.

Installez le commutateur sur une surface plane si vous ne l'installez pas dans un rack. La surface doit être capable de supporter le poids du commutateur et de ses câbles. Le commutateur est fourni avec quatre coussinets en caoutchouc auto-adhésifs.

- 1 Fixez les coussinets adhésifs sur les emplacements marqués en bas du commutateur.
- 2 Placez le commutateur sur une surface plane. Assurez-vous qu'il a une ventilation adéquate en laissant un espace de 5 cm (2 pouces) de chaque côté et de 13 cm (5 pouces) à l'arrière.

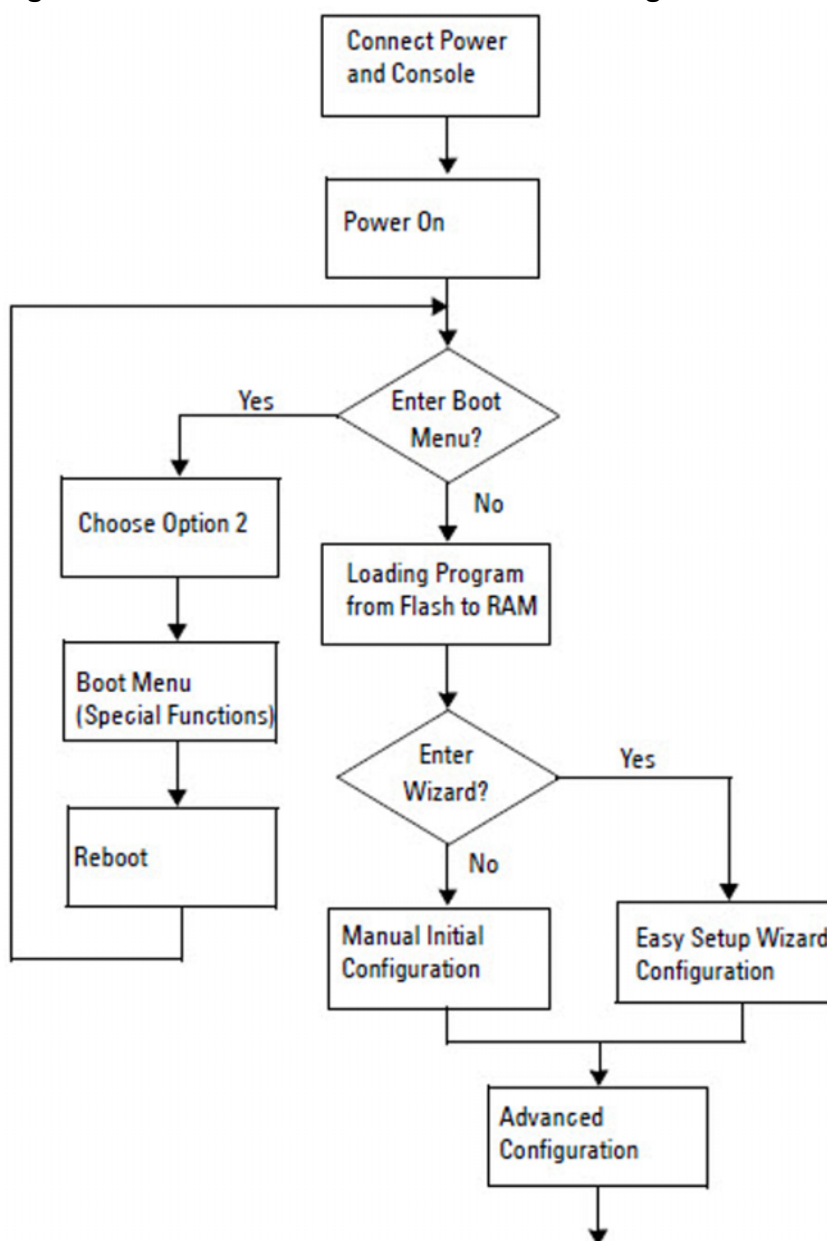
## Empilage de plusieurs commutateurs N1124T-ON/ N1124P-ON/ N1148T-ON/ N1148P-ON

Vous pouvez empiler jusqu'à quatre commutateurs N1124T-ON/N1124P-ON/N1148T-ON/ N1148P-ON en vous servant des ports 10G SFP+ situés à l'avant des commutateurs. Les ports doivent être configurés pour prendre en charge l'empilage. Lorsque plusieurs commutateurs sont connectés l'un à l'autre via les ports d'empilage, ils fonctionnent comme une seule et même unité avec jusqu'à 208 ports du panneau avant. La pile fonctionne et est gérée en tant qu'une seule et même entité. Pour plus d'informations, reportez-vous au *User Configuration Guide (Guide de configuration utilisateur)* et au *CLI Reference Guide (Guide de référence de l'interface CLI)*.

# Démarrage et configuration des commutateurs Série N1100-0N

Le diagramme qui suit donne une vue générale de la procédure à suivre pour effectuer la configuration initiale une fois que le commutateur a été déballé et monté.


Figure 1-7. Diagramme du flux d'installation et de configuration






# Connexion d'un commutateur Série N1100-ON à un terminal

Après avoir effectué toutes les connexions externes, configurez le commutateur en le connectant à un terminal.

 **REMARQUE:** Avant de continuer, lisez les notes de mise à jour concernant ce produit. Vous pouvez télécharger les notes de mise à jour à partir du site web du support de Dell [dell.com/support](http://dell.com/support).

 **REMARQUE:** Dell vous recommande de vous procurer la version la plus récente de la documentation utilisateur, disponible sur le site [dell.com/support](http://dell.com/support).


Pour surveiller et configurer le commutateur via la console USB, utilisez le port de console sur le panneau avant du commutateur pour le connecter à un ordinateur exécutant un logiciel d'émulation de terminal VT100 à l'aide du câble USB fourni. Il sera peut-être nécessaire de télécharger et installer un pilote lors de la première utilisation du câble USB.

Pour utiliser le port de console, vous devez disposer des éléments suivants :


- Ordinateur compatible VT100 avec port USB exécutant un logiciel d'émulation de terminal VT100, tel que HyperTerminal®, et avec pilote USB.
- Le câble USB qui est fourni avec un connecteur USB type B pour le port de console et le connecteur USB pour l'ordinateur hôte.

Pour connecter un terminal au port de console du commutateur, procédez comme suit :

- 1** Branchez le connecteur USB de type B sur le commutateur fourni et connectez l'autre extrémité à un ordinateur exécutant un logiciel d'émulation de terminal VT100.
- 2** Configurez le logiciel d'émulation de terminal comme suit :
  - a** Sélectionnez le port série approprié (par exemple, COM 1) pour établir une connexion à la console.
  - b** Réglez le débit de données sur 115 200 bauds.
  - c** Réglez le format de données sur 8 data bits, 1 stop bit et no parity.
  - d** Définissez le contrôle de flux sur aucun.
  - e** Définissez le mode d'émulation de terminal sur VT100.

- f Choisissez l'option Touches de terminal pour les touches de fonction, de direction et Ctrl. Assurez-vous que le paramètre correspond bien aux touches de terminal (et non aux touches Microsoft Windows).
  - 3 Branchez le connecteur USB de type B du câble directement sur le port de console du commutateur. Le port de console du Dell Networking est situé sur le côté droit du panneau avant et est identifiable par le symbole |O|O|.
-  **REMARQUE:** L'accès de la console au gestionnaire de pile est disponible à partir de n'importe quel port de console via la CLI locale. Une seule session de console USB à la fois est possible.

## Série N1100-ON Connexion d'un commutateur à une source d'alimentation

 **PRÉCAUTION:** Prenez connaissance des consignes de sécurité exposées dans le manuel *Safety and Regulatory Information (Informations relatives à la réglementation et la sécurité)* ainsi que des informations relatives à la sécurité des autres commutateurs qui se connectent au commutateur ou qui le prennent en charge.

Les modèles N1108T-ON et N1108P-ON possèdent un bloc d'alimentation interne. La prise d'alimentation se trouve sur le panneau arrière. Le modèle N1108EP-ON utilise un adaptateur secteur CC externe. L'adaptateur secteur CC externe

### Connexion du câble d'alimentation secteur et CC

- 1 Assurez-vous que le port de console du commutateur est bien connecté à un ordinateur exécutant un émulateur de terminal VT100 via un câble USB-USB de type B.
- 2 À l'aide d'un câble d'alimentation standard de 1,5 m (5 pieds) avec mise à la terre, branchez le câble d'alimentation sur le réceptacle principal secteur situé sur le panneau arrière.

Les commutateurs de modèle PoE disposent d'un câble d'alimentation résistant doté d'un connecteur avec encoche marquée pour le réceptacle d'alimentation du commutateur. L'utilisation de ce type de câble est obligatoire pour les commutateurs compatibles PoE.

- 3 Branchez le câble d'alimentation sur une prise de courant CA (secteur) mise à la terre.

## Démarrage du commutateur Série N1100-ON

Lorsque le système est mis sous tension alors que le terminal local est déjà connecté, le commutateur effectue un POST (auto-test de démarrage). Ce test s'exécute chaque fois que le commutateur est initialisé et il vérifie les composants afin de déterminer si le commutateur est entièrement opérationnel avant de démarrer complètement. Si le test détecte un problème critique, le processus s'arrête. Si le POST est exécuté avec succès, un micrologiciel valide est chargé dans la RAM. Les messages POST s'affichent sur le terminal et indiquent si le test a réussi ou échoué. Le processus de démarrage dure environ 60 secondes.

Vous pouvez appeler le menu **Boot (Amorçage)** après la première partie du POST. À partir du menu **Boot (Amorçage)**, vous pouvez effectuer des tâches de configuration, comme la restauration des paramètres par défaut du système, l'activation de l'image de sauvegarde ou la récupération d'un mot de passe. Pour plus d'informations sur les fonctions du menu **Boot (Amorçage)**, reportez-vous au *CLI Reference Guide (Guide de référence de l'interface CLI)*.

# Réalisation de la configuration initiale du Série N1100-ON

La procédure de configuration initiale présuppose les éléments suivants :

- Le commutateur Dell Networking n'a jamais été configuré auparavant.
- Le commutateur Dell Networking a bien démarré.
- La connexion à la console a été établie et l'invite de l'**Assistant Dell d'installation facile** est affichée sur l'écran d'un PC exécutant un logiciel d'émulation de terminal.

La configuration initiale du commutateur est effectuée via le port de console. Après la configuration initiale, vous pourrez gérer le commutateur à partir du port de la console déjà connectée, ou bien à distance via une interface définie lors de la configuration initiale.



**REMARQUE:** Le commutateur n'est pas configuré avec des informations par défaut (nom d'utilisateur, mot de passe ou adresse IP).

Avant de procéder à la configuration initiale du commutateur, demandez les informations suivantes à votre administrateur réseau :

- L'adresse IP attribuée à l'interface de gestion.
- Le masque de sous-réseau IP du réseau.
- L'adresse IP de la passerelle par défaut de l'interface de gestion.

Ces paramètres sont nécessaires pour permettre une gestion à distance du commutateur via Telnet (client Telnet) ou HTTP (navigateur web).

## Activation de la gestion à distance

Sur les commutateurs Série N1100-ON, vous pouvez utiliser l'un des ports de commutateur du panneau avant pour la gestion intrabande. Par défaut, tous les ports intrabande sont membres du VLAN 1.

L'**Assistant Dell d'installation facile** inclut des invites pour configurer les informations du réseau pour l'interface du VLAN 1 sur les commutateurs Série N1100-ON. Vous pouvez attribuer une adresse IP statique et un masque de sous-réseau ou activer DHCP et autoriser un serveur DHCP de réseau à affecter les informations.

Reportez-vous au *CLI Reference Guide (Guide de référence de l'interface CLI)* pour les commandes de configuration des informations réseau.

## Procédure de configuration initiale

Effectuez la configuration initiale à l'aide de l' **Assistant Dell d'installation facile** ou en utilisant la CLI. L'Assistant démarre automatiquement si le fichier de configuration du commutateur est vide. Vous pouvez quitter l'Assistant à tout moment en entrant [Ctrl+Z], mais tous les paramètres configurés seront ignorés et le commutateur utilisera les valeurs par défaut.



**REMARQUE:** Si vous n'exécutez pas l'**Assistant Dell d'installation facile** ou si vous ne répondez pas dans les 60 secondes à l'invite initiale de l'Assistant de configuration facile, le commutateur passe en mode d'interface de ligne de commande (CLI). Vous devez réinitialiser le commutateur avec une configuration de démarrage vide afin d'exécuter à nouveau l'**Assistant Dell d'installation facile**.

Pour plus d'informations sur l'exécution de la configuration initiale à l'aide de la CLI, reportez-vous au *Guide de référence de l'interface CLI*. Ce *Getting Started Guide (Guide de mise en route)* explique comment utiliser l'**Assistant Dell d'installation facile** pour la configuration initiale du commutateur.

L'Assistant effectue les opérations suivantes sur le commutateur :

- Il met en place le compte utilisateur privilégié initial et le mot de passe valide correspondant. L'Assistant configure un seul compte utilisateur privilégié pendant la configuration.
- Il permet la connexion à l'interface CLI et l'accès HTTP pour utiliser le paramètre d'authentification local uniquement.
- Il définit l'adresse IP pour l'interface de routage VLAN 1 dont tous les ports intrabande sont membres.
- Il définit la chaîne de communauté SNMP qui doit être utilisée par le gestionnaire SNMP sur une adresse IP donnée. Ignorez cette étape si le commutateur n'est pas géré via SNMP.
- Il vous permet de spécifier l'adresse IP du système de gestion du réseau ou autorise l'accès de gestion à partir de toutes les adresses IP.
- Il configure l'adresse IP de la passerelle par défaut pour le VLAN 1.

## Exemple de session

Cette section décrit une session **Assistant Dell d'installation facile**.

Les valeurs suivantes sont utilisées dans la session :

- La chaîne de communauté SNMP à utiliser est **public**.
- L'adresse IP du système de gestion du réseau (NMS) est **10.1.2.100**.
- Le nom d'utilisateur est **admin** et le mot de passe **admin123**.
- L'adresse IP de l'interface de routage VLAN 1 est **10.1.1.200** avec un masque de sous-réseau **255.255.255.0**.
- La passerelle par défaut est **10.1.1.1**.

L'Assistant configure les valeurs initiales de la manière décrite ci-dessus. Lorsque l'Assistant a terminé, le commutateur est configuré de la façon suivante :

- SNMPv2 est activé et la chaîne de communauté est définie comme indiqué ci-dessus. SNMPv3 est désactivé par défaut.
- Le compte utilisateur admin est configuré comme indiqué ci-dessus.
- Un système de gestion du réseau est configuré. À partir de la station de gestion, vous pouvez accéder aux interfaces SNMP, HTTP et CLI. Vous pouvez également décider d'autoriser toutes les adresses IP à accéder à ces interfaces de gestion en sélectionnant l'adresse IP (0.0.0.0).
- Une adresse IP est configurée pour l'interface de routage VLAN 1.
- Une adresse de passerelle par défaut est configurée.



**REMARQUE:** Dans l'exemple suivant, les options ou valeurs utilisateur ou par défaut sont encadrées de crochets [ ]. Si vous appuyez sur <Entrée> sans options définies, la valeur acceptée est la valeur par défaut. Le texte d'aide est entre parenthèses.

## Exemple de la console Assistant Dell d'installation facile

L'exemple suivant contient la séquence d'invites et de réponses d'un exemple de session **Assistant Dell d'installation facile** avec les valeurs indiquées plus haut.

Au démarrage du commutateur après le POST, la boîte de dialogue suivante s'affiche :

```
Unit 1 - Waiting to select management unit)>
```

```
_____Dell SupportAssist EULA_____
```

```
I accept the terms of the license agreement. You can
reject the license agreement by configuring this
command 'eula-consent support-assist reject'.
```

```
By installing SupportAssist, you allow Dell to save
your contact information (e.g. name, phone number
and/or email address) which would be used to provide
technical support for your Dell products and services
Dell may use the information for providing
recommendations to improve your IT infrastructure.
Dell SupportAssist also collects and stores machine
diagnostic information, which may include but is not
limited to configuration information, user supplied
contact information, names of data volumes, IP
addresses, access control lists, diagnostics &
performance information, network configuration
information, host/server configuration & performance
information and related data (Collected Data) and
transmits this information to Dell. By downloading
SupportAssist and agreeing to be bound by these terms
and the Dell end user license agreement, available at:
http://www.dell.com/aeula, you agree to allow Dell to
provide remote monitoring services of your IT
environment and you give Dell the right to collect the
Collected Data in accordance with Dell's Privacy
Policy, available at:
http://www.dell.com/privacypolicycountryspecific, in
order to enable the performance of all of the various
functions of SupportAssist during your entitlement to
```

receive related repair services from Dell. You further agree to allow Dell to transmit and store the Collected Data from SupportAssist in accordance with these terms. You agree that the provision of SupportAssist may involve international transfers of data from you to Dell and/or to Dell's affiliates, subcontractors or business partners. When making such transfers, Dell shall ensure appropriate protection is in place to safeguard the Collected Data being transferred in connection with SupportAssist. If you are downloading SupportAssist on behalf of a company or other legal entity, you are further certifying to Dell that you have appropriate authority to provide this consent on behalf of that entity. If you do not consent to the collection, transmission and/or use of the Collected Data, you may not download, install or otherwise use SupportAssist.

\_\_\_\_\_AeroHive HiveManager NG EULA\_\_\_\_\_

This switch includes a feature that enables it to work with HiveManager (an optional management suite), by sending the switch's service tag number and IP Address to HiveManager to authenticate your entitlement to use HiveManager. If you wish to disable this feature, you should run command 'eula-consent hiveagent reject' immediately upon powering up the switch for the first time, or at any time thereafter.

Applying Global configuration, please wait...

Welcome to Dell Easy Setup Wizard

The setup wizard guides you through the initial switch configuration, and gets you up and running as quickly as possible. You can skip the setup wizard, and enter CLI mode to manually configure the switch. You must respond to the next question to run the setup wizard within 60 seconds, otherwise the system will continue



with normal operation using the default system configuration. Note: You can exit the setup wizard at any point by entering [ctrl+z].

Would you like to run the setup wizard (you must answer this question within 60 seconds)? [Y/N] **y**

Step 1:

The system is not set up for SNMP management by default. To manage the switch using SNMP (required for Dell Network Manager) you can

- . Set up the initial SNMP version 2 account now.
- . Return later and set up other SNMP accounts. (For more information on setting up an SNMP version 1 or 3 account, see the user documentation).


Would you like to set up the SNMP management interface now? [Y/N] **y**

To set up the SNMP management account you must specify the management system IP address and the "community string" or password that the particular management system uses to access the switch. The wizard automatically assigns the highest access level [Privilege Level 15] to this account. You can use Dell Network Manager or other management interfaces to change this setting, and to add additional management system information later. For more information on adding management systems, see the user documentation.

To add a management station:

Please enter the SNMP community string to be used.

[public]: **public**

 **REMARQUE:** S'il est configuré, l'accès maximal disponible pour l'interface de gestion SNMP est défini comme niveau d'accès par défaut. Initialement, seul SNMPv2 sera activé. SNMPv3 est désactivé jusqu'à ce que vous configuriez son accès de sécurité (par exemple, ID du moteur, vue, etc.).

Please enter the IP address of the Management System (A.B.C.D) or wildcard (0.0.0.0) to manage from any Management Station. [0.0.0.0]: **10.1.2.100**

## Step 2:

Now we need to set up your initial privilege (Level 15) user account. This account is used to login to the CLI and Web interface. You may set up other accounts and change privilege levels later. For more information on setting up user accounts and changing privilege levels, see the user documentation.

To set up a user account:

```
Please enter the user name. [root]:admin
Please enter the user password: *****
Please reenter the user password: *****
```

## Step 3:

Next, an IP address is set up on the VLAN 1 routing interface.

You can use the IP address to access the CLI, Web interface, or SNMP interface of the switch.

To access the switch through any Management Interface you can

- . Set up the IP address for the Management Interface.
- . Set up the default gateway if IP address is manually configured on the routing interface.

## Step 4:

Would you like to set up the VLAN1 routing interface now? [Y/N] **y**

```
Please enter the IP address of the device (A.B.C.D) or
enter "DHCP" (without the quotes) to automatically
request an IP address from the network DHCP server:
10.1.1.200
```

```
Please enter the IP subnet mask (A.B.C.D or /nn):
255.255.255.0
```

## Step 5:

Finally, set up the default gateway. Please enter the IP address of the gateway from which this network is reachable. [0.0.0.0]: **10.1.1.1**

This is the configuration information that has been collected:

```
SNMP Interface = "public"@10.1.2.100
User Account setup = admin
Password = *****
VLAN1 Router Interface IP = 10.1.1.200 255.255.255.0
Default Gateway = 10.1.1.1
```

Step 6:

If the information is correct, please enter (Y) to save the configuration and copy the settings to the start-up configuration file. If the information is incorrect, enter (N) to discard the configuration and restart the wizard: [Y/N] **y**

Thank you for using the Dell Easy Setup Wizard. You will now enter CLI mode.

Applying Interface configuration, please wait...

## Étapes suivantes

Après avoir terminé la configuration initiale décrite dans cette section, connectez l'un des ports de commutateur du panneau avant sur un réseau de production pour une gestion intrabande à distance.

Si vous avez spécifié DHCP pour l'adresse IP de l'interface de gestion VLAN 1, l'interface obtiendra son adresse IP à partir d'un serveur DHCP du réseau. Pour découvrir l'adresse IP affectée dynamiquement, utilisez la connexion de port de console pour émettre la commande suivante :

- Pour l'interface de routage VLAN 1, entrez **show ip interface**.

Pour accéder à l'interface d'administrateur de commutateur Dell OpenManage, entrez l'adresse IP de l'interface de gestion VLAN 1 dans le champ d'adresse d'un navigateur web. Pour l'accès de la gestion à distance à l'interface CLI, entrez l'adresse IP de l'interface de gestion VLAN 1 dans un client Telnet ou SSH. Vous pouvez également continuer à utiliser le port de console de l'interface de ligne de commande locale pour accéder au commutateur.

Les commutateurs Série N1100-ON prennent en charge les fonctions de commutation de base telles que les VLAN et le protocole spanning tree. Utilisez l'interface de gestion via le web ou via l'interface CLI pour configurer les caractéristiques requises par votre réseau. Pour plus d'informations sur la configuration des fonctionnalités du commutateur, reportez-vous au *User Configuration Guide (Guide de configuration utilisateur)* ou au *CLI Reference Guide (Guide de référence de l'interface CLI)* disponibles sur le site [dell.com/support](http://dell.com/support).

# Conformité avec les organismes

Les commutateurs N1108T-ON, N1108P-ON, N1108EP-ON, N1124T-ON, N1124P-ON, N1148T-ON et N1148P-ON sont conformes aux exigences des organismes et de sécurité suivantes :

## Déclaration de conformité de la directive EMC de l'Union européenne

Ce produit est en conformité avec les exigences de protection de la directive du Conseil européen 2004/30/CE relative au rapprochement des lois des États membres en lien avec la compatibilité électromagnétique. Dell EMC décline toute responsabilité en cas de non-respect des exigences de protection résultant d'une modification non recommandée de ce produit, notamment l'insertion de cartes non Dell EMC en option.

Ce produit a été testé et certifié conforme aux limites du matériel informatique de classe A selon les normes CISPR32/CISPR34 et EN55032/EN55034. Les limites du matériel de classe A sont dérivées des environnements commerciaux et industriels, afin de fournir une protection raisonnable contre les interférences avec un équipement de communication sous licence.

**AVERTISSEMENT: Il s'agit d'un produit de classe A. Dans un environnement domestique, ce produit peut provoquer des interférences. Dans ce cas, l'utilisateur doit prendre les mesures nécessaires.**

Coordonnées de la Communauté européenne :

Dell EMC, EMEA - Central

Dahlienweg 19

66265 Heusweiler

Allemagne

Tél. : +49 172 6802630

E-mail : EMEA Central Sales

## Certificat de conformité indien

Le produit est conforme à la liste *Essential Requirements of Telecommunication Engineering Centre (TEC)* (Exigences essentielles du centre d'ingénierie en télécommunications) applicable.

# Normes de sécurité et certificats de conformité des organismes

- IEC 62368-1, 2e édition
- CUS UL 60950-1, 2e édition
  - Répond ou dépasse les exigences des tests de rigidité diélectrique et de continuité de la mise à la terre conformément au standard UL 60950-1.
- AS/NZS 60950
- CSA 60950-1-03, 2e édition
- EN 60950-1, 2e édition
- EN 60825-1, 1re édition
- EN 60825-1 Sécurité des appareils à laser - Partie 1 : classification des matériels, prescriptions et guide de l'utilisateur
- EN 60825-2 Sécurité des appareils à laser - Partie 2 : sécurité des systèmes de télécommunication par fibres optiques
- Réglementations FDA 21 CFR 1040.10 et 1040.11
- IEC 60950-1, 2e édition, y compris tous les écarts nationaux et les différences de groupe

## Compatibilité électromagnétique

### Émissions

- International : CISPR 32, classe A
- Australie/Nouvelle-Zélande : AS/NZS CISPR 32, classe A
- Canada : ICES-003, numéro 4, classe A
- Europe : EN55032:2015 (CISPR 32), classe A
- EN55032
- Japon : VCCI, classe A
- Corée : KN32, classe A
- Taïwan : CNS13438, classe A
- États-Unis : FCC CFR47, alinéa 15, sous-partie B, classe A

## Immunité

- EN 300 386 : Compatibilité électromagnétique pour l'équipement réseau
- EN 55024
- EN 61000-3-2 : Limites pour les émissions de courant harmonique
- EN 61000-3-3 : Limitation des variations de tension, des fluctuations de tension et du papillotement
- EN 61000-4-2 ESD
- EN 61000-4-3 : Essai d'immunité aux champs électromagnétiques rayonnés
- EN 61000-4-4 : Essais d'immunité aux transitoires électriques rapides en salves
- EN 61000-4-5 : Essais d'immunité aux ondes de choc
- EN 61000-4-6 : Immunité aux perturbations conduites, induites par les champs radioélectriques

## Recyclage et disposition du produit

Vous devez recycler ou mettre au rebut ce système conformément aux réglementations locales et nationales en vigueur. Dell EMC encourage les propriétaires d'équipement informatique à recycler de manière responsable leur matériel lorsqu'il n'est plus utilisé. Dell EMC propose un large éventail de programmes et de services de retour de produits dans plusieurs pays pour aider les propriétaires à recycler leur équipement informatique.

## Directive relative aux Déchets d'équipements électriques et électroniques (DEEE) pour la récupération, le recyclage et la réutilisation des produits informatiques et de télécommunications

Les commutateurs Dell EMC sont étiquetés conformément à la directive européenne 2002/96/EC concernant les déchets d'équipements électriques et électroniques (DEEE). La directive détermine les conditions de retour et de recyclage des appareils usagés, le cas échéant, dans l'ensemble de l'Union

européenne. Différents produits portent une étiquette pour indiquer qu'ils ne doivent pas être jetés, mais qu'ils doivent plutôt être récupérés lorsqu'ils arrivent en fin de vie, conformément à cette directive.

**Figure 1-8. Symbole DEEE européen**



Conformément à la directive DEEE européenne, les équipements électriques et électroniques (EEE) doivent être collectés séparément et être réutilisés, recyclés ou récupérés lorsqu'ils arrivent en fin de vie. Les utilisateurs d'équipements électriques et électroniques portant le symbole DEEE, tel que stipulé dans l'annexe IV de la directive DEEE et illustré ci-dessus, ne doivent pas jeter leurs équipements en fin de vie avec les déchets municipaux non triés, mais doivent observer les règles de collecte destinées aux clients qui retournent, recyclent et récupèrent des déchets d'équipements électriques et électroniques. La participation des clients est importante pour limiter les effets potentiels des équipements électriques et électroniques sur l'environnement et la santé humaine en raison de la potentielle présence de substances dangereuses.

Les produits Dell EMC répertoriés comme des déchets d'équipements électriques et électroniques sont étiquetés avec le symbole de la poubelle barrée, indiqué ci-dessus, conformément aux exigences de la directive relative aux DEEE.

Pour en savoir plus sur les offres de recyclage des produits Dell EMC, reportez-vous aux instructions de recyclage des DEEE sur la page de support. Pour en savoir plus, contactez le centre d'assistance technique Dell EMC.





Dell Networking  
N1108T-0N/N1108P-0N/  
N1108EP-0N/N1124T-0N/  
N1124P-0N/N1148T-0N/  
N1148P-0N Switches

# Handbuch zum Einstieg



# Anmerkungen, Vorsichtshinweise und Warnungen



**ANMERKUNG:** Eine ANMERKUNG macht auf wichtige Informationen aufmerksam, mit denen Sie Ihren Switch besser nutzen können.



**VORSICHT:** Ein **VORSICHTSHINWEIS** macht darauf aufmerksam, dass bei **Nichtbefolgung von Anweisungen eine Beschädigung der Hardware oder ein Verlust von Daten droht, und zeigt auf, wie derartige Probleme vermieden werden können.**



**WARNUNG:** Durch eine **WARNUNG** werden Sie auf **Gefahrenquellen** hingewiesen, die **materielle Schäden, Verletzungen oder sogar den Tod von Personen zur Folge haben können.**



## **Vorsichtshinweis zu Lithium-Akkus:**

- Es besteht Explosionsgefahr, wenn der Akku falsch ersetzt wird. Ersetzen Sie den Akku nur mit typgleichen oder äquivalenten Modellen. Akkus sind den Herstelleranweisungen entsprechend zu entsorgen.
- Die Entsorgung von Akkus mithilfe von Feuer oder in einem heißen Ofen sowie das mechanische Zerdrücken oder Zerschneiden des Akkus können zu Explosionen führen.
- Bei der Aufbewahrung eines Akkus in sehr heißen Umgebungen kann es zum Austritt von brennbaren Flüssigkeiten, Gas oder zu einer Explosion kommen.
- Wenn Akkus einem sehr geringen Luftdruck ausgesetzt werden, kann es ebenfalls zum Austritt von brennbaren Flüssigkeiten, Gas oder zu einer Explosion kommen.
- Das Gerät kann nur an einem festen Standort verwendet werden, wie z. B. in einem Labor oder einem Maschinenraum. Stellen Sie bei der Installation des Geräts sicher, dass der Schutzleiteranschluss der Steckdose durch eine Fachkraft überprüft wird.

---

© 2019 Dell Inc. oder deren Tochtergesellschaften. Alle Rechte vorbehalten. Dieses Produkt ist durch amerikanische und internationale Urheberrechtsgesetze und Gesetze zum geistigen Eigentum geschützt. Dell und das Dell Logo sind Marken von Dell Inc. in den Vereinigten Staaten und/oder anderen Geltungsbereichen. Alle anderen in diesem Dokument genannten Marken und Handelsbezeichnungen sind möglicherweise Marken der entsprechenden Unternehmen.

Muster-Modellnummern: E17W and E18W

Mai 2019    Teilnr. Y7208    Rev. A01

# Inhalt

1	Einführung . . . . .	69
	<b>N1100-ON Serie Hardware-Übersicht.</b> . . . . .	69
	Stromverbrauch für N1100-ON Serie PoE-Switches. . . . .	69
	Belüftungssystem. . . . .	71
	<b>Modellübersicht der N1100-ON Serie.</b> . . . . .	71
2	N1108T-ON/N1108P-ON/ N1108EP-ON-Installation . . . . .	72
	<b>Montieren eines N1108T-ON/N1108P-ON-Switches     unter Verwendung des Dell Tandemfachs</b> . . . . .	72
	<b>Montieren eines N1108T-ON/N1108P-ON/     N1108EP-ON-Switches auf einem Rack mit zwei     Stützen unter Verwendung von L-Halterungen</b> . . . . .	73
	<b>Montieren aller N11xx-ON-Switches an einer Wand</b> . . . . .	74
3	N1124T-ON/N1124P-ON/N1148T-ON/ N1148P-ON-Installation . . . . .	77
	<b>Rack-Montage eines N1124T-ON/N1124P-ON/     N1148T-ON/ N1148P-ON-Switches</b> . . . . .	77
	Installation in einem Rack . . . . .	77
	Installieren als freistehender Switch. . . . .	78
	<b>Stapeln mehrerer N1124T-ON/N1124P-ON/     N1148T-ON/ N1148P-ON-Switches</b> . . . . .	78

4	Starten und Konfigurieren des N1100-ON Serie-Switches . . . . .	79
	<b>Anschließen eines N1100-ON Serie-Switches     an ein Terminal.</b> . . . . .	<b>80</b>
	<b>N1100-ON SerieAnschließen eines -Switches     an eine Stromquelle</b> . . . . .	<b>81</b>
	Wechselstrom- und Gleichstromanschluss . . . . .	81
	<b>Starten des N1100-ON Serie-Switches</b> . . . . .	<b>82</b>
	<b>Durchführen der Erstkonfiguration der     N1100-ON Serie</b> . . . . .	<b>83</b>
	Aktivieren der Remote-Verwaltung. . . . .	83
	Vorgehensweise zur Erstkonfiguration. . . . .	84
	Beispielsitzung . . . . .	85
	<b>Dell Easy Setup-Assistent-Konsolenbeispiel.</b> . . . .	<b>86</b>
	Nächste Schritte . . . . .	90
5	Einhaltung behördlicher Vorschriften . . . . .	92

# Einführung

Dieses Dokument enthält grundlegende Informationen zum Dell Networking N1100-ON Serie-Switch sowie Anweisungen zum Installieren des Switch und zur Erstkonfiguration. Weitere Informationen zum Konfigurieren und Überwachen der Switch-Funktionen finden Sie im *User Configuration Guide* (Konfigurationshandbuch), das sich auf der Support-Website von Dell unter [dell.com/support](http://dell.com/support) befindet. Auf der Support-Website finden Sie aktuelle Informationen zu Dokumentation und Firmware.



**ANMERKUNG:** Switch-Administratoren werden dringend empfohlen, um Dell Networking Switches auf der neuesten Version des Dell Networking Betriebssystems (DNOS) zu halten. Dell Networking verbessert ständig die Merkmale und Funktionen des DNOS basierend auf dem Feedback von Ihnen, dem Kunden. Bei kritischen Infrastrukturen wird das Pre-Staging der neuen Version in einem nicht kritischen Teil des Netzwerks empfohlen, um die Netzwerkkonfiguration und den Betrieb mit der neuen DNOS-Version zu überprüfen.

## N1100-ON Serie Hardware-Übersicht

Dieser Abschnitt enthält Informationen über Geräteeigenschaften und modulare Hardwarekonfigurationen für den Dell Networking N1100-ON Serie-Switch.

**ANMERKUNG:** Für den N1108EP-ON-Switch wird ein externer Netzadapter verwendet. Für den externen N1108EP-ON-Netzadapter steht kein Montagesatz zur Verfügung. Bringen Sie beim Installieren von N1108EP den externen Netzadapter getrennt vom Switch an.

### Stromverbrauch für N1100-ON Serie PoE-Switches.

Tabelle 1-1 beschreibt den Stromverbrauch für N1100-ON Serie PoE-Switches. Die PoE Stromkapazität beträgt 60 W für den N1108P-ON, 123 W für den N1108EP-ON, 185 W für den N1124P-ON und 370 W für den N1148P-ON.

**Tabelle 1-1. Stromverbrauch für N1100-ON Serie PoE-Switches**

<b>Modell</b>	<b>Eingangsspannung</b>	<b>Netzteilkonfiguration</b>	<b>Maximale stetige Stromaufnahme (A)</b>	<b>Maximale stetige Leistung (W)</b>
N1108P-ON	100V/60Hz	Hauptnetzteil	0,95A	88,64W
	110V/60Hz	Hauptnetzteil	0,87A	88,43W
	120V/60Hz	Hauptnetzteil	0,80A	88,22W
	220V/50Hz	Hauptnetzteil	0,49A	89,28W
	240V/50Hz	Hauptnetzteil	0,45A	89,70W
N1108EP-ON	100V/60Hz	Externer 54-VDC-Netzadapter	1,62 A	157 W
	110V/60Hz	Externer 54-VDC-Netzadapter	a	157 W
	120V/60Hz	Externer 54-VDC-Netzadapter	1,35 a	157 W
	220V/50Hz	Externer 54-VDC-Netzadapter	a	157 W
	240V/50Hz	Externer 54-VDC-Netzadapter	0.67 a	157 W
N1124P-ON	100V/60Hz	Hauptnetzteil	2,66A	260,66W
	110V/60Hz	Hauptnetzteil	2,38A	257,95W
	120V/60Hz	Hauptnetzteil	2,16A	256,27W
	220V/50Hz	Hauptnetzteil	1,18A	250,52W
	240V/50Hz	Hauptnetzteil	1,10A	251,25W
N1148P-ON	100V/60Hz	Hauptnetzteil	4,78A	476,03W
	110V/60Hz	Hauptnetzteil	4,32A	472,64W
	120V/60Hz	Hauptnetzteil	3,95A	470,58W
	220V/50Hz	Hauptnetzteil	2,14A	459,37W
	240V/50Hz	Hauptnetzteil	1,97A	459,06W

## Belüftungssystem

Ein Lüfter kühlt die N1108T-ON/N1108P-ON-Switches und zwei Lüfter kühlen die N1024T-ON/N1024P-ON/N1048T-ON/N1048P-ON-Switches. Die Lüfter sind nicht vor Ort austauschbar. Beim N1108EP-ON handelt es sich um einen lüfterlosen Switch.

## Modellübersicht der N1100-ON Serie

**Tabelle 1-2. Zulassungsnummern der N1100-ON Serie-Switches**

<b>Marketing-Modellbezeichnung (MMN)</b>	<b>Beschreibung</b>	<b>Netzteilereinheit (PSU)</b>	<b>Zulassungsmodellnummer (RMN)</b>	<b>Zulassungstypennummer (RTN)</b>
N1108T-ON	10x1G/2x1G SFP-Ports	DPS-24GP	E17W	E17W001
N1108P-ON	10 x 1G-/2 x 1G-SFP-/2 x PoE+-Ports	DPS-80AP/ DPS-24GP	E17W	E17W001
N1108EP-ON	8 x 1G PoE+/2 x 1G PD/2 x 1G SFP-Anschlüsse	ADP-280BR	E48W	E48W001
N1124T-ON	24x1G/4x10G SFP+ Ports	DPS-40AP	E18W	E18W001
N1124P-ON	24x1G/4x10G SFP+/6xPoE+ Ports	EDPS-250BF	E18W	E18W001
N1148T-ON	48x1G/4x10G SFP+ Ports	DPS-60AP	E18W	E18W002
N1148P-ON	48x1G/4x10G SFP+/12xPoE+ Port	YM-2501D	E18W	E18W002



# N1108T-ON/N1108P-ON/ N1108EP-ON-Installation

## Montieren eines N1108T-ON/N1108P-ON-Switches unter Verwendung des Dell Tandemfachs

Der Netzstromanschluss befindet sich auf der rückseitigen Abdeckung.

- !** **WARNUNG:** Lesen Sie die Sicherheitshinweise unter *Sicherheits- und Zulassungsbestimmungen* sowie die Sicherheitshinweise für andere Switches, die mit dem Switch verbunden sind oder diesen unterstützen.
  - !** **WARNUNG:** Rack-Montagekits dürfen nicht dazu verwendet werden, den Switch unter einem Tisch, unter einer Platte oder an der Wand zu befestigen.
  - △** **VORSICHT:** Trennen Sie vor dem Fortfahren alle Kabel vom Switch. Entfernen Sie alle selbstklebenden Pads von der Unterseite des Switches, wenn diese angebracht wurden.
  - △** **VORSICHT:** Wenn Sie mehrere Switches in einem Rack installieren, beginnen Sie mit dem untersten.
- 1** Befestigen Sie den N1108T-ON/N1108P-ON-Switch im Dell Tandemfachsatz, wie in Abbildung 1-1 gezeigt.

**Abbildung 1-1. Dell Tandemfach-Satz**



- 2** Legen Sie den Switch in das 48,26 cm (19 Zoll) große Rack und stellen Sie sicher, dass die Rack-Montagelöcher am Montagesatz mit den Montagelöchern am Rack ausgerichtet sind.

- 3 Befestigen Sie den Montagesatz am Rack mit den Rack-Schrauben oder den Käfigmuttern und Käfigmutterschrauben mit Unterlegscheiben (je nach Art des Racks). Ziehen Sie zuerst die Schrauben auf der Unterseite fest und danach die Schrauben auf der Oberseite.

## Montieren eines N1108T-ON/N1108P-ON/ N1108EP-ON-Switches auf einem Rack mit zwei Stützen unter Verwendung von L-Halterungen

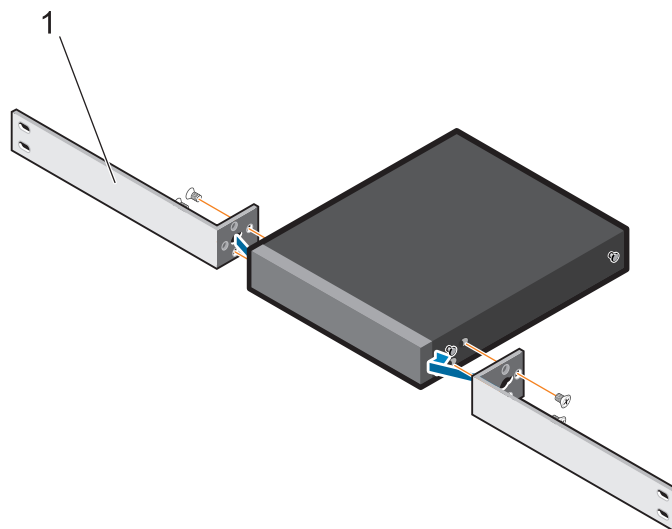
**ANMERKUNG:** Der Netzstromanschluss befindet sich auf der Rückseite der N1108T-ON/N1108P-ON-Switches. Der Gleichstromanschluss für den N1108EP-ON-Switch befindet sich in der Mitte der rückseitigen Abdeckung.

**ANMERKUNG:** Für den N1108EP-ON-Switch wird ein externer Netzadapter verwendet. Für den externen N1108EP-ON-Netzadapter steht kein Montagesatz zur Verfügung. Bringen Sie beim Installieren von N1108EP den externen Netzadapter getrennt vom Switch an.

**VORSICHT:** Da es sich beim N1108EP-ON um einen lüfterlosen Switch handelt, darf der externe Netzadapter nicht auf der Oberseite des Switches platziert werden. Auf diese Weise wird Überhitzung vermieden.

- 1 Platzieren Sie die mitgelieferte Rack-Montagehalterung auf einer Seite des Switches und achten Sie darauf, dass sich die Montagelöcher am Switch mit den Montagelöchern der Rack-Montagehalterung decken. Siehe Element 1 in Abbildung 1-2.

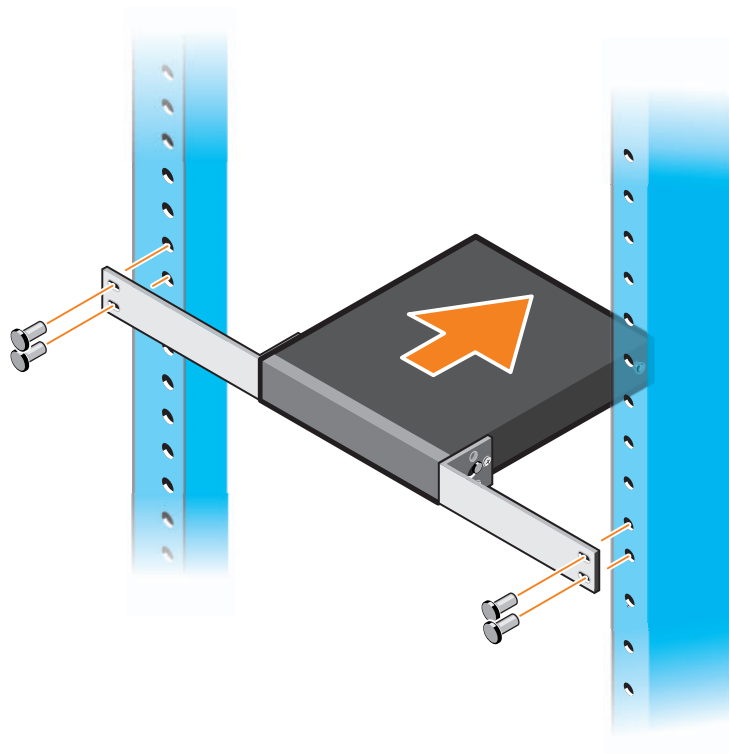
**Abbildung 1-2. Installieren unter Verwendung eines Satzes großer L-Halterungen**



- 2 Setzen Sie die mitgelieferten Schrauben in die Rack-Montagelöcher ein und ziehen Sie sie mit einem Schraubendreher an.

- 3 Wiederholen Sie diesen Vorgang auf der anderen Seite des Switches.
- 4 Setzen Sie die Switch- und Schienenbaugruppe über die Vorderseite des Racks in das Rack ein. Stellen Sie sicher, dass sich die Rack-Montagelöcher auf dem Switch mit den Montagelöchern am Rack decken.
- 5 Befestigen Sie den Switch mit den Rack-Schrauben am Rack. Befestigen Sie das untere Schraubenpaar, bevor Sie das obere Schraubenpaar befestigen. Weitere Informationen finden Sie unter Abbildung 1-3.

**Abbildung 1-3. Installieren auf einem Rack mit zwei Stützen unter Verwendung einer L-Halterung**

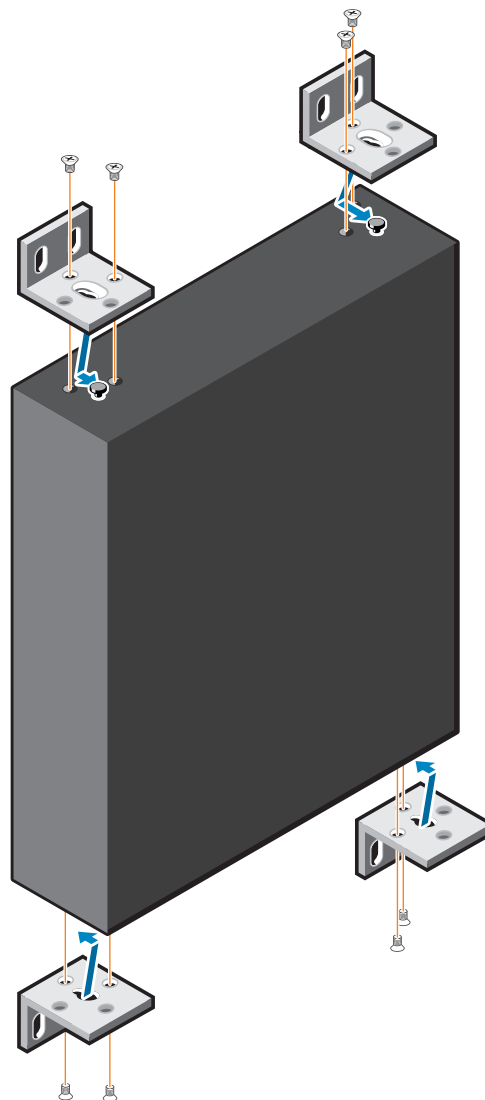


## Montieren aller N11xx-ON-Switches an einer Wand

- 1 Stellen Sie sicher, dass der Montageort die folgenden Anforderungen erfüllt:
  - Die Oberfläche der Wand kann den Switch zu halten.
  - Der Standort ist ausreichend belüftet, sodass Wärmeentwicklung vermieden wird.

- 2 Platzieren Sie die mitgelieferte Halterung für die Wandmontage auf einer Seite des Switches und stellen Sie dabei sicher, dass die Montagelöcher auf dem Switch mit den Montagelöchern auf der Wandmontagehalterung ausgerichtet sind.
- 3 Setzen Sie die mitgelieferten Schrauben in die Löcher der Wandmontagehalterung ein und ziehen Sie sie mit einem Schraubendreher an. Weitere Informationen finden Sie unter Abbildung 1-4

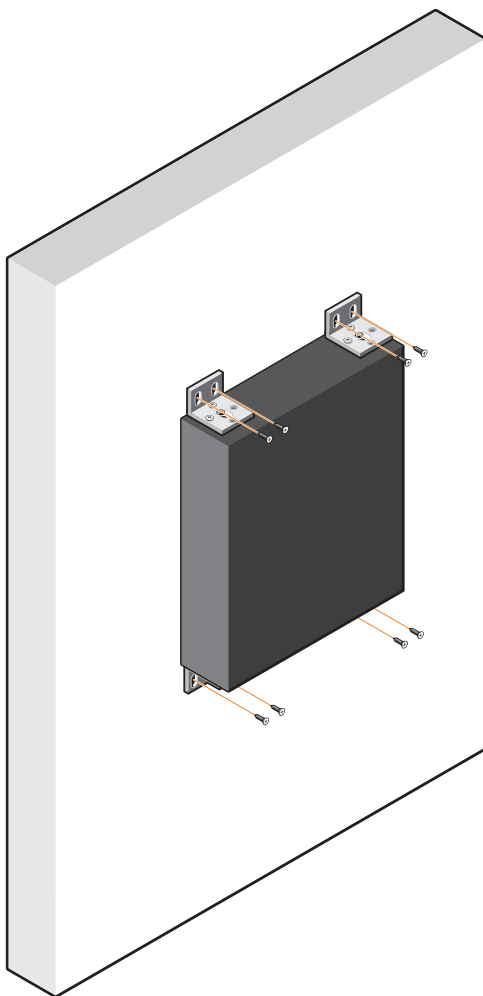
**Abbildung 1-4. Einsetzen der Montagehalterungen**



- 4 Wiederholen Sie diesen Vorgang für die Wandmontagehalterung auf der anderen Seite des Switches.
- 5 Stellen Sie den Switch an die Stelle der Wand, an der der Switch montiert werden soll.

- 6** Markieren Sie an der Wand die Stellen, an denen die Schrauben für die Befestigung des Switches angebracht werden müssen.
- 7** Bohren Sie die Löcher an den markierten Stellen und setzen Sie die acht mitgelieferten Anker in die Löcher.
- 8** Setzen Sie die mitgelieferten Schrauben in die Löcher der Wandmontagehalterung ein und ziehen Sie sie mit einem Schraubendreher an. Weitere Informationen finden Sie unter Abbildung 1-5

**Abbildung 1-5. Montieren an der Wand**



# N1124T-ON/N1124P-ON/N1148T-ON/ N1148P-ON-Installation

## Rack-Montage eines N1124T-ON/N1124P-ON/ N1148T-ON/ N1148P-ON-Switches

**⚠️ WARNUNG:** Lesen Sie die Sicherheitshinweise unter *Sicherheits- und Zulassungsbestimmungen* sowie die Sicherheitshinweise für andere Switches, die mit dem Switch verbunden sind oder diesen unterstützen.

Der Netzstromanschluss befindet sich auf der Rückseite des Switches.

### Installation in einem Rack

**⚠️ WARNUNG:** Rack-Montagekits dürfen nicht dazu verwendet werden, den Switch unter einem Tisch, unter einer Platte oder an der Wand zu befestigen.

**⚠️ VORSICHT:** Trennen Sie vor dem Fortfahren alle Kabel vom Switch. Entfernen Sie alle selbstklebenden Pads von der Unterseite des Switches, wenn diese angebracht wurden.

**⚠️ VORSICHT:** Wenn Sie mehrere Switches in einem Rack installieren, beginnen Sie mit dem untersten.

- 1 Platzieren Sie die mitgelieferte Rack-Montagehalterung auf einer Seite des Switches und achten Sie darauf, dass die Montagelöcher am Switch mit den Montagelöchern an der Rack-Montagehalterung ausgerichtet sind. Abbildung 1-6 zeigt, wo die Halterungen montiert werden sollen.

**Abbildung 1-6. Anbringen der Halterungen**



- 2 Führen Sie die mitgelieferten Schrauben in die Rack-Montagelöcher ein, und ziehen Sie sie mit einem Schraubendreher fest.
- 3 Wiederholen Sie diesen Vorgang für die Rack-Montagehalterung auf der anderen Seite des Switches.
- 4 Legen Sie den Switch in das 48,26 cm (19 Zoll) große Rack und stellen Sie sicher, dass die Rack-Montagelöcher an der Halterung mit den Montagelöchern am Rack ausgerichtet sind.
- 5 Befestigen Sie die Halterung am Rack mit den Rack-Schrauben oder den Käfigmuttern und Käfigmutter-schrauben mit Unterlegscheiben (je nach Art des Racks). Ziehen Sie zuerst die Schrauben auf der Unterseite fest und danach die Schrauben auf der Oberseite.



**VORSICHT:** Stellen Sie sicher, dass die mitgelieferten Rack-Schrauben in die Gewindelöcher am Rack passen.



**ANMERKUNG:** Stellen Sie sicher, dass die Lüftungsöffnungen nicht verstopft sind.

## Installieren als freistehender Switch



**ANMERKUNG:** Dell empfiehlt dringend, den Switch in einem Rack zu montieren.

Installieren Sie den Switch auf einer ebenen Fläche, wenn Sie ihn nicht in einem Rack installieren. Die Fläche muss das Gewicht des Switches und der daran angeschlossenen Kabel tragen können. Der Switch wird mit vier selbstklebenden Gummipads geliefert.

- 1 Bringen Sie die selbstklebenden Gummipads an den jeweils markierten Stellen auf der Unterseite des Switches an.
- 2 Legen Sie den Switch auf eine ebene Fläche. Vergewissern Sie sich, dass eine ausreichende Belüftung sichergestellt ist, indem Sie auf jeder Seite 5 cm (2 Zoll) und auf der Rückseite 13 cm (5 Zoll) Raum lassen.

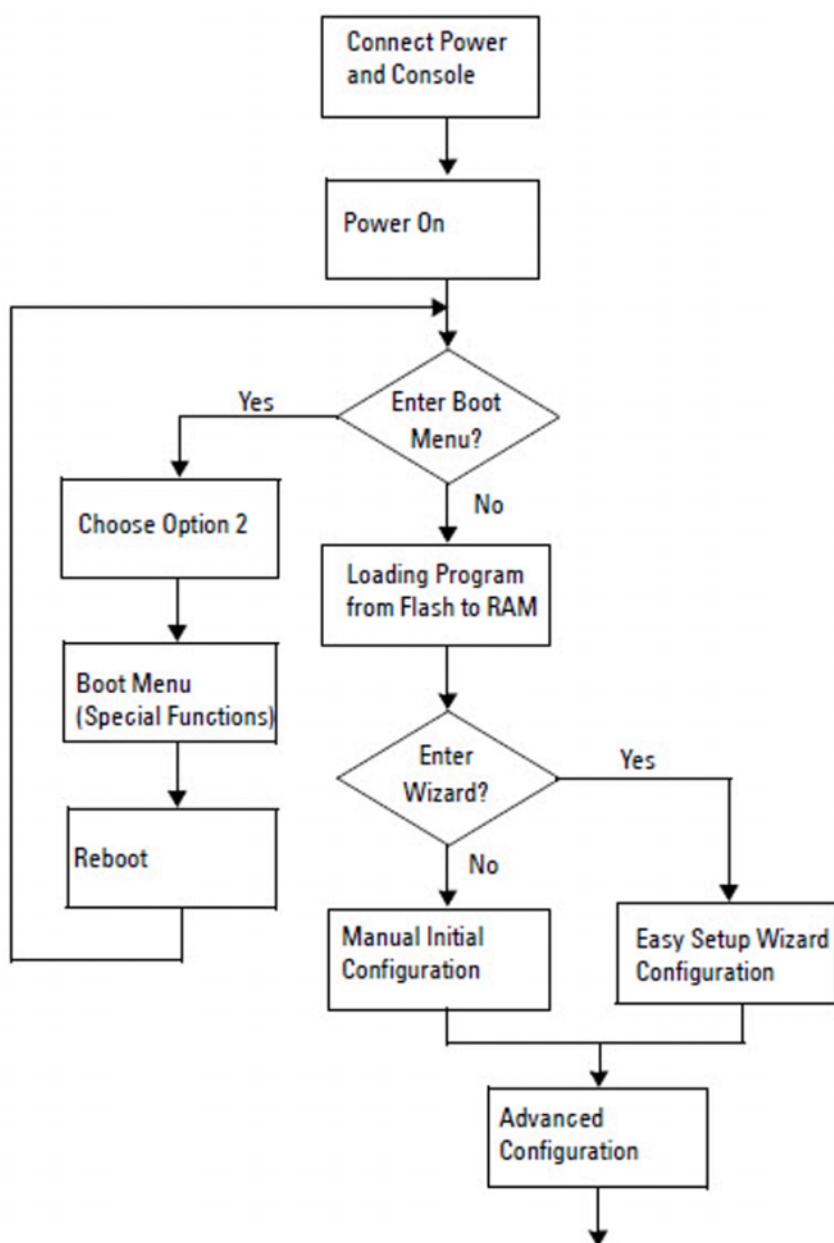
## Stapeln mehrerer N1124T-ON/N1124P-ON/ N1148T-ON/ N1148P-ON-Switches

Sie können N1124T-ON/N1124P-ON/N1148T-ON/N1148P-ON-Switches bis zu vier Switches hoch mit 10G SFP+ Ports auf der Vorderseite des Switches stapeln. Die Ports müssen so konfiguriert werden, dass sie das Stapeln unterstützen. Wenn mehrere Switches über die Stapel-Ports miteinander verbunden sind, funktionieren sie als eine einzige Einheit mit bis zu 208 vorderseitigen Anschlüssen. Der Stapel wird als eine einzige Einheit betrieben und verwaltet. Weitere Informationen finden Sie im *User Configuration Guide* (Konfigurationshandbuch) und im *CLI Reference Guide* (Referenzhandbuch).

# Starten und Konfigurieren des N1100-ON Serie-Switches

Das folgende Flussdiagramm enthält eine Übersicht über die erforderlichen Schritte für die Erstkonfiguration, nachdem der Switch ausgepackt und montiert wurde.


**Abbildung 1-7. Installations- und Konfigurationsflussdiagramm**






# Anschließen eines N1100-ON Serie-Switches an ein Terminal

Nachdem Sie alle externen Verbindungen hergestellt haben, konfigurieren Sie den Switch, indem Sie ihn mit einem Terminal verbinden.

 **ANMERKUNG:** Lesen Sie die Versionshinweise für dieses Produkt, bevor Sie fortfahren. Sie können die Versionshinweise von der Dell Support-Website unter [dell.com/support](http://dell.com/support) herunterladen.

 **ANMERKUNG:** Dell empfiehlt, dass Sie die aktuellste Version der Benutzerdokumentation von der Dell Support-Website unter [dell.com/support](http://dell.com/support) herunterladen.

Zur Überwachung und Konfiguration des Switches über die USB-Konsole verwenden Sie den Konsolenanschluss auf der Frontblende des Switches, um ihn über das mitgelieferte USB-Kabel mit einem Computer mit VT100-Terminal-Emulationssoftware zu verbinden. Bei der ersten Verwendung des USB-Kabels kann es notwendig sein, einen Treiber herunterzuladen und zu installieren.

Zur Verwendung des Konsolenanschlusses wird Folgendes benötigt:

- Ein VT100-kompatibler Computer mit einem USB-Anschluss, auf dem VT100-Terminal-Emulationssoftware ausgeführt wird, wie zum Beispiel HyperTerminal®, und ein USB-Treiber.
- Das mitgelieferte USB-Kabel mit einem Typ-B USB-Anschluss für den Konsolenanschluss und USB-Anschluss für den Host-PC.

Gehen Sie wie folgt vor, um ein Terminal mit dem Switch-Konsolenanschluss zu verbinden:

- 1** Schließen Sie den Typ-B USB-Anschluss an den mitgelieferten Switch an und verbinden Sie das andere Ende mit einem Computer mit VT100-Terminal-Emulationssoftware.
- 2** Konfigurieren Sie die Terminal-Emulationssoftware wie folgt:
  - a** Wählen Sie den geeigneten seriellen Anschluss (zum Beispiel COM 1) zum Verbinden mit der Konsole aus.
  - b** Stellen Sie die Datenrate auf 115.200 Baud ein.
  - c** Legen Sie das Datenformat auf 8 Datenbits, 1 Stopbit und Keine Parität fest.
  - d** Stellen Sie die Flusskontrolle auf Keine ein.

- e Stellen Sie den Terminal-Emulationsmodus auf VT100 ein.
  - f Wählen Sie Terminal-Tasten für Funktions-, Pfeil- und Strg-Tasten. Stellen Sie sicher, dass die Terminal-Tasten (nicht Microsoft Windows-Tasten) ausgewählt wurden.
- 3 Verbinden Sie den Typ-B USB-Anschluss des Kabels direkt mit dem Switch-Konsolenanschluss. Der Dell Networking Konsolenanschluss befindet sich auf der rechten Seite der Frontblende und ist mit einem |O|O|-Symbol gekennzeichnet.



**ANMERKUNG:** Der Konsolenzugriff auf dem Stapelmanager ist von jedem Konsolenanschluss über die lokale CLI verfügbar. Es wird jeweils nur eine USB-Konsolensitzung unterstützt.

## N1100-ON Serie Anschließen eines -Switches an eine Stromquelle



**VORSICHT:** Lesen Sie die Sicherheitshinweise im Handbuch für *Sicherheits- und Zulassungsbestimmungen* sowie die Sicherheitshinweise für andere Switches, die mit dem Switch verbunden sind oder diesen unterstützen.

Die Modelle N1108T-ON und N1108P-ON verfügen über ein internes Netzteil. Die Netzsteckdose befindet sich auf der rückseitigen Abdeckung. Für den N1108EP-ON-Switch wird ein externer Gleichstromadapter verwendet. Der externe Gleichstromadapter

### Wechselstrom- und Gleichstromanschluss

- 1 Stellen Sie sicher, dass der Switch-Konsolenanschluss über das USB zu USB-Kabel vom Typ B mit einem PC mit VT100-Terminalemulator verbunden ist.
- 2 Schließen Sie ein 1,5 m langes Standard-Netzkabel mit Schutzleiter an eine Wechselstromsteckdose auf der rückseitigen Abdeckung an.  
Die PoE-Modell-Switches verfügen über ein Hochleistungskabel mit einem eingekerbten Anschluss für die Switch-Netzsteckdose. Für PoE-fähige Switches ist die Verwendung dieses Kabeltyps zwingend erforderlich.
- 3 Schließen Sie das Stromkabel an eine geerdete Wechselstromsteckdose an.

## Starten des N1100-ON Serie-Switches

Wenn der Strom eingeschaltet wird und das lokale Terminal bereits angeschlossen ist, führt der Switch den Einschalt-Selbsttest (POST) aus. Der Einschalt-Selbsttest wird bei jeder Initialisierung des Switches ausgeführt und überprüft die Hardware-Komponenten, um festzustellen, ob der Switch vor dem vollständigen Hochfahren voll funktionsfähig ist. Wird beim Einschalt-Selbsttest ein kritisches Problem festgestellt, dann wird der Programmablauf abgebrochen. Nach erfolgreichem Abschluss des Einschalt-Selbsttests wird die gültige Firmware in den RAM geladen. Meldungen des Einschalt-Selbsttests werden auf dem Terminal angezeigt und geben den Erfolg oder Misserfolg des Tests an. Der Startvorgang dauert etwa 60 Sekunden.

Sie können das **Boot**-Menü aufrufen, nachdem der erste Teil des Einschalt-Selbsttests abgeschlossen ist. Im **Boot**-Menü können Sie Konfigurationsaufgaben ausführen, wie z. B. das Zurücksetzen des Systems auf die Werkseinstellungen, das Aktivieren des Backup-Images oder das Wiederherstellen eines Kennworts. Weitere Informationen zu den Funktionen des **Boot**-Menüs finden Sie im *CLI Reference Guide* (CLI-Referenzhandbuch).

# Durchführen der Erstkonfiguration der N1100-ON Serie

Der Erstkonfigurationsvorgang basiert auf den folgenden Annahmen:

- Der Dell Networking Switch wurde noch nie zuvor konfiguriert.
- Der Dell Networking Switch wurde erfolgreich gestartet.
- Es wurde eine Konsolenverbindung aufgebaut und die **Dell Easy Setup-Assistent** Eingabeaufforderung erscheint auf dem Bildschirm eines PC, auf dem die Terminal-Emulationssoftware ausgeführt wird.

Die Erstkonfiguration des Switches wird über den Konsolenanschluss durchgeführt. Nach der Erstkonfiguration können Sie den Switch über den bereits angeschlossenen Konsolenanschluss oder fern über eine bei der Erstkonfiguration definierte Schnittstelle verwalten.



**ANMERKUNG:** Der Switch ist nicht mit einem Standard-Benutzernamen, einem Kennwort oder einer IP-Adresse konfiguriert.

Bevor Sie die Erstkonfiguration des Switches durchführen, erhalten Sie folgende Informationen von Ihrem Netzwerkadministrator:

- Die IP-Adresse, die der Verwaltungsschnittstelle zugewiesen werden soll.
- Die IP-Subnetzmaske für das Netzwerk.
- Die IP-Adresse des Standard-Gateways der Verwaltungsschnittstelle.

Diese Einstellungen sind erforderlich, um die Remote-Verwaltung des Switches über Telnet (Telnet-Client) oder HTTP (Webbrowser) zu ermöglichen.

## Aktivieren der Remote-Verwaltung

Auf den N1100-ON Serie-Switches können Sie einen der Switch-Ports der Frontblende für die bandinterne Verwaltung verwenden. Standardmäßig sind alle bandinternen Ports Mitglieder von VLAN 1.

Der **Dell Easy Setup-Assistent** (Assistent) enthält Anweisungen zur Konfiguration von Netzwerkinformationen für die VLAN-1-Schnittstelle auf den N1100-ON Serie-Switches. Sie können eine statische IP-Adresse und Subnetzmaske zuweisen oder DHCP aktivieren und einem Netzwerk-DHCP-Server erlauben, die Informationen zuzuweisen.

Befehle zum Konfigurieren von Netzwerkinformationen finden Sie im *CLI Reference Guide* (Referenzhandbuch).

## Vorgehensweise zur Erstkonfiguration

Führen Sie die Erstkonfiguration mithilfe des **Dell Easy Setup-Assistent** (Assistenten) oder der Befehlszeilenschnittstelle (CLI) aus. Der Assistent wird automatisch gestartet, wenn die Konfigurationsdatei des Switches leer ist. Beenden Sie den Assistenten jederzeit durch Eingabe von [Strg+z]; alle Konfigurationseinstellungen werden jedoch verworfen und der Switch verwendet die Standardwerte.



**ANMERKUNG:** Wenn Sie den **Dell Easy Setup-Assistent** innerhalb von 60 Sekunden nicht ausführen oder nicht auf die anfängliche Eingabeaufforderung des Easy Setup-Assistenten reagieren, wechselt der Switch in den CLI-Modus. Sie müssen den Switch mit einer leeren Startkonfiguration zurücksetzen, um den **Dell Easy Setup-Assistent** erneut auszuführen.

Weitere Informationen zur Erstkonfiguration mithilfe der CLI finden Sie im *CLI Reference Guide* (CLI-Referenzhandbuch). Dieses *Handbuch zum Einstieg* zeigt, wie Sie den **Dell Easy Setup-Assistent** für die Erstkonfiguration des Switches verwenden. Der Assistent richtet die folgende Konfiguration am Switch ein:

- Er legt das ursprüngliche privilegierte Benutzerkonto mit einem gültigen Kennwort an. Der Assistent konfiguriert beim Setup ein privilegiertes Benutzerkonto.
- Er aktiviert den CLI-Login und HTTP-Zugriff zur ausschließlichen Verwendung der lokalen Authentifizierungseinstellung.
- Er legt die IP-Adresse für die VLAN-1-Routing-Schnittstelle fest, von der alle bandinternen Ports Mitglieder sind.
- Er legt die SNMP-Community-Zeichenfolge fest, die vom SNMP-Manager bei einer bestimmten IP-Adresse verwendet werden soll. Überspringen Sie diesen Schritt, wenn für diesen Switch keine SNMP-Verwaltung verwendet wird.
- Er ermöglicht die Angabe der IP-Adresse des Netzwerkmanagementsystems oder den Verwaltungszugriff von allen IP-Adressen.
- Er konfiguriert die Standard-Gateway-IP-Adresse für die VLAN-1-Schnittstelle.

## Beispielsitzung

Dieser Abschnitt beschreibt eine Sitzung des **Dell Easy Setup-Assistent**. In dieser Beispielsitzung werden folgende Werte verwendet:

- Die zu verwendende SNMP-Community-Zeichenfolge ist **public**.
- Die IP-Adresse des Netzwerkmanagementsystems (NMS) lautet **10.1.2.100**.
- Der Benutzername lautet **admin**, und das Kennwort ist **admin123**.
- Die IP-Adresse für die VLAN-1-Routing-Schnittstelle ist **10.1.1.200** mit einer Subnetzmaske von **255.255.255.0**.
- Die Standard-Gateway-Adresse lautet **10.1.1.1**.

Der Setup-Assistent konfiguriert die Anfangswerte wie oben definiert. Nach Abschluss des Assistenten ist der Switch wie folgt konfiguriert:

- SNMPv2 ist aktiviert und die Community-Zeichenfolge ist eingerichtet, wie oben definiert. SNMPv3 ist standardmäßig deaktiviert.
- Das admin-Benutzerkonto ist wie definiert eingerichtet.
- Ein Netzwerkmanagementsystem ist konfiguriert. Über die Verwaltungsstation können Sie auf die SNMP-, HTTP- und CLI-Schnittstellen zugreifen. Sie können auch festlegen, dass alle IP-Adressen auf diese Verwaltungsschnittstellen zugreifen können, indem Sie die IP-Adresse (0.0.0.0) wählen.
- Für die VLAN-1-Routing-Schnittstelle ist eine IP-Adresse konfiguriert.
- Eine Standard-Gateway-Adresse ist konfiguriert.



**ANMERKUNG:** Im folgenden Beispiel sind die möglichen Benutzeroptionen oder Standardwerte in eckigen Klammern [ ] dargestellt. Wenn Sie <Eingabe> ohne definierte Optionen drücken, wird der Standardwert übernommen. Der Hilfetext ist in Klammern.

## Dell Easy Setup-Assistent-Konsolenbeispiel

Das folgende Beispiel enthält eine Folge von Eingabeaufforderungen und Antworten im Rahmen einer **Dell Easy Setup-Assistent**-Beispielsitzung anhand der vorher aufgeführten Eingabewerte.

Nachdem der Switch den Einschalt-Selbsttest abgeschlossen hat und gestartet wurde, wird das folgende Dialogfeld angezeigt:

```
Unit 1 - Waiting to select management unit)>
```

```
_____Dell SupportAssist EULA_____
```

```
I accept the terms of the license agreement. You can reject the license agreement by configuring this command 'eula-consent support-assist reject'.
```

```
By installing SupportAssist, you allow Dell to save your contact information (e.g. name, phone number and/or email address) which would be used to provide technical support for your Dell products and services Dell may use the information for providing recommendations to improve your IT infrastructure. Dell SupportAssist also collects and stores machine diagnostic information, which may include but is not limited to configuration information, user supplied contact information, names of data volumes, IP addresses, access control lists, diagnostics & performance information, network configuration information, host/server configuration & performance information and related data (Collected Data) and transmits this information to Dell. By downloading SupportAssist and agreeing to be bound by these terms and the Dell end user license agreement, available at: http://www.dell.com/aeula, you agree to allow Dell to provide remote monitoring services of your IT environment and you give Dell the right to collect the Collected Data in accordance with Dell's Privacy Policy, available at: http://www.dell.com/privacypolicycountryspecific, in order to enable the performance of all of the various functions of SupportAssist during your entitlement to
```

receive related repair services from Dell. You further agree to allow Dell to transmit and store the Collected Data from SupportAssist in accordance with these terms. You agree that the provision of SupportAssist may involve international transfers of data from you to Dell and/or to Dell's affiliates, subcontractors or business partners. When making such transfers, Dell shall ensure appropriate protection is in place to safeguard the Collected Data being transferred in connection with SupportAssist. If you are downloading SupportAssist on behalf of a company or other legal entity, you are further certifying to Dell that you have appropriate authority to provide this consent on behalf of that entity. If you do not consent to the collection, transmission and/or use of the Collected Data, you may not download, install or otherwise use SupportAssist.

\_\_\_\_\_AeroHive HiveManager NG EULA\_\_\_\_\_

This switch includes a feature that enables it to work with HiveManager (an optional management suite), by sending the switch's service tag number and IP Address to HiveManager to authenticate your entitlement to use HiveManager. If you wish to disable this feature, you should run command 'eula-consent hiveagent reject' immediately upon powering up the switch for the first time, or at any time thereafter.

Applying Global configuration, please wait...

Welcome to Dell Easy Setup Wizard

The setup wizard guides you through the initial switch configuration, and gets you up and running as quickly as possible. You can skip the setup wizard, and enter CLI mode to manually configure the switch. You must respond to the next question to run the setup wizard within 60 seconds, otherwise the system will continue



with normal operation using the default system configuration. Note: You can exit the setup wizard at any point by entering [ctrl+z].

Would you like to run the setup wizard (you must answer this question within 60 seconds)? [Y/N] **y**

Step 1:

The system is not set up for SNMP management by default. To manage the switch using SNMP (required for Dell Network Manager) you can

- . Set up the initial SNMP version 2 account now.
- . Return later and set up other SNMP accounts. (For more information on setting up an SNMP version 1 or 3 account, see the user documentation).

Would you like to set up the SNMP management interface now? [Y/N] **y**

To set up the SNMP management account you must specify the management system IP address and the "community string" or password that the particular management system uses to access the switch. The wizard automatically assigns the highest access level [Privilege Level 15] to this account. You can use Dell Network Manager or other management interfaces to change this setting, and to add additional management system information later. For more information on adding management systems, see the user documentation.

To add a management station:

Please enter the SNMP community string to be used.

[public]: **public**



**ANMERKUNG:** Nach der Konfiguration wird die Standard-Zugriffsebene für die SNMP-Verwaltungsschnittstelle auf den höchsten verfügbaren Zugriff eingestellt. Anfangs wird nur SNMPv2 aktiviert. SNMPv3 ist deaktiviert, bis Sie den Sicherheitszugriff für SNMPv3 konfigurieren (z. B. Engine-ID, Ansicht usw.).

Please enter the IP address of the Management System (A.B.C.D) or wildcard (0.0.0.0) to manage from any Management Station. [0.0.0.0]: **10.1.2.100**

Step 2:

Now we need to set up your initial privilege (Level 15) user account. This account is used to login to the CLI and Web interface. You may set up other accounts and change privilege levels later. For more information on setting up user accounts and changing privilege levels, see the user documentation.

To set up a user account:

Please enter the user name. [root]:**admin**

Please enter the user password: **\*\*\*\*\***

Please reenter the user password: **\*\*\*\*\***

Step 3:

Next, an IP address is set up on the VLAN 1 routing interface.

You can use the IP address to access the CLI, Web interface, or SNMP interface of the switch.

To access the switch through any Management Interface you can

- . Set up the IP address for the Management Interface.

- . Set up the default gateway if IP address is manually configured on the routing interface.

Step 4:

Would you like to set up the VLAN1 routing interface now? [Y/N] **y**

Please enter the IP address of the device (A.B.C.D) or enter "DHCP" (without the quotes) to automatically request an IP address from the network DHCP server:

**10.1.1.200**

Please enter the IP subnet mask (A.B.C.D or /nn):

**255.255.255.0**

Step 5:

Finally, set up the default gateway. Please enter the IP address of the gateway from which this network is reachable. [0.0.0.0]: **10.1.1.1**

This is the configuration information that has been collected:

```
SNMP Interface = "public"@10.1.2.100
User Account setup = admin
Password = *****
VLAN1 Router Interface IP = 10.1.1.200 255.255.255.0
Default Gateway = 10.1.1.1
```

Step 6:

If the information is correct, please enter (Y) to save the configuration and copy the settings to the start-up configuration file. If the information is incorrect, enter (N) to discard the configuration and restart the wizard: [Y/N] **y**

Thank you for using the Dell Easy Setup Wizard. You will now enter CLI mode.

Applying Interface configuration, please wait...

## Nächste Schritte

Nach Abschluss der in diesem Abschnitt beschriebenen Erstkonfiguration schließen Sie einen beliebigen der Switch-Ports der Frontblende an ein Produktionsnetzwerk für die bandinterne Remote-Verwaltung an.

Wenn Sie DHCP für die IP-Adresse der VLAN-1-Verwaltungsschnittstelle angegeben haben, ruft die Schnittstelle ihre IP-Adresse von einem DHCP-Server im Netzwerk ab. Zur Ermittlung der dynamisch zugewiesenen IP-Adresse verwenden Sie die Konsolenanschluss-Verbindung, um den folgenden Befehl auszuführen:

- Geben Sie für die VLAN-1-Routing-Schnittstelle **show ip interface** (IP-Schnittstelle anzeigen) ein.

Für den Zugriff auf die Dell OpenManage Switch-Administrator-Schnittstelle geben Sie die IP-Adresse der VLAN-1-Verwaltungsschnittstelle in das Adressfeld eines Webbrowsers ein. Geben Sie für den Remote-Verwaltungszugriff

auf die CLI die IP-Adresse der VLAN-1-Verwaltungsschnittstelle in einen Telnet- oder SSH-Client ein. Alternativ können Sie den Konsolenanschluss weiterhin für den lokalen CLI-Zugriff auf den Switch verwenden.

Die N1100-ON Serie-Switches unterstützen grundlegende Switching-Funktionen, wie VLANs und Spanning Tree Protocol (STP). Verwenden Sie die webbasierte Verwaltungsschnittstelle oder die CLI, um die Funktionen für Ihr Netzwerk zu konfigurieren. Weitere Informationen zum Konfigurieren der Switch-Funktionen finden Sie im *User Configuration Guide* (Konfigurationshandbuch) oder *CLI Reference Guide* (CLI-Referenzhandbuch) auf der Support-Website [dell.com/support](http://dell.com/support).

# Einhaltung behördlicher Vorschriften

Die Switches der Reihen N1108T-ON, N1108P-ON, N1108EP-ON, N1124T-ON, N1124P-ON, N1148T-ON und N1148P-ON erfüllen die folgenden Sicherheitsanforderungen und behördlichen Auflagen:

## Erklärung der Europäischen Union zur Einhaltung der EMV-Richtlinie

Dieses Produkt erfüllt die Sicherheitsanforderungen der EU-Richtlinie 2004/30/EG zur Angleichung der Rechtsvorschriften der Mitgliedstaaten zur elektromagnetischen Verträglichkeit. Dell EMC übernimmt keine Verantwortung für jegliche Nichterfüllung der Sicherheitsanforderungen wegen einer nicht empfohlenen Änderung dieses Geräts wie dem Einbau einer Optionskarte, die nicht von Dell EMC stammt.

Dieses Produkt wurde getestet und erfüllt die Grenzwerte für Geräte der Informationstechnologie der Klasse A gemäß CISPR 32/CISPR34 und EN55032/EN55034. Die Grenzwerte für Geräte der Klasse A wurden für kommerzielle und industrielle Umgebungen abgeleitet, um angemessenen Schutz vor Störungen bei lizenzierten Kommunikationsgeräten zu liefern.

**WARNUNG: Dies ist ein Produkt der Klasse A. In einem Wohnbereich kann, dieses Gerät Funkstörungen verursachen. In diesem Fall sind unter Umständen entsprechende Maßnahmen zu ergreifen.**

Kontaktdaten der Europäischen Gemeinschaft:

Dell EMC EMEA – Zentral

Dahlienweg 19

66265 Heusweiler

Deutschland

Tel: +49 172 6802630

E-Mail: EMEA Central Sales

## Indische Konformitätsbescheinigung

Das Produkt erfüllt die relevanten *grundlegenden Anforderungen der Bestimmungen des indischen Telekommunikationsministeriums.*

# Sicherheitsstandards und behördliche Konformitätsbescheinigungen

- IEC 62368-1, 2. Ausgabe
- CUS UL 60950-1, 2. Ausgabe
  - Erfüllt oder übertrifft Hi-Pot- und Erdungstests gemäß UL 60950-1.
- AS/NZS 60950
- CSA 60950-1-03, 2. Ausgabe
- EN 60950-1, 2. Ausgabe
- EN 60825-1, 1. Ausgabe
- EN 60825-1 Sicherheit von Lasereinrichtungen - Teil 1: Klassifizierung von Anlagen, Anforderungen und Benutzerrichtlinien
- EN 60825-2 Sicherheit von Lasereinrichtungen - Teil 2: Sicherheit von Lichtwellenleiter-Kommunikationssystemen
- FDA-Richtlinie 21CFR.1040.10 und 1040.11
- IEC 60950-1, 2. Ausgabe, einschließlich aller nationalen Abweichungen und Gruppenunterschiede

## Elektromagnetischer Verträglichkeit (EMV)

### Emissionen

- International: CISPR 32: Klasse A
- Australien/Neuseeland: AS/NZS CISPR 32, Klasse A
- Kanada: ICES-003, Ausgabe 4, Klasse A
- Europa: EN55032:2015 (CISPR 32), Klasse A
- EN55032
- Japan: VCCI Klasse A
- Korea: KN32, Klasse A
- Taiwan: CNS13438, Klasse A
- USA: FCC CFR47 Teil 15, Abschnitt B, Klasse A

## Störfestigkeit

- EN 300 386 EMC für Netzwerkgeräte
- EN 55024
- EN 61000-3-2 Oberschwingungsströme
- EN 61000-3-3 Spannungsänderungen, Spannungsschwankungen und Flicker
- EN 61000-4-2 ESD
- EN 61000-4-3 Elektromagnetische Störfestigkeit
- EN 61000-4-4 EFT
- EN 61000-4-5 Überspannungsschutz
- EN 61000-4-6 Niederfrequente leitungsgeführte Störgrößen

## Recycling und Entsorgung des Produkts

Sie müssen dieses Systems entsprechend den örtlichen oder nationalen Vorschriften recyceln oder entsorgen. Dell EMC bestärkt Besitzer von informationstechnischen (IT) Geräten, die angemessen zu recyceln, wenn sie nicht mehr benötigt werden. Dell EMC bietet eine Vielzahl von Programmen und Diensten in mehreren Ländern an, um Besitzer bei der umweltgerechten Wiederverwertung ihrer IT-Produkte zu unterstützen.

## **(WEEE)-Richtlinie (Waste Electrical and Electronic Equipment) für Wiederherstellung, Recycling und Wiederverwendung von IT- und Telekommunikationsprodukten**

Dell EMC Switches sind in Übereinstimmung mit der Europäischen Richtlinie 2002/96/EG WEEE (Waste Electrical and Electronic Equipment) gekennzeichnet. Die Richtlinie legt den Rahmen für Rücknahme und Recycling benutzter Geräte in der Europäischen Union fest. Diese Kennzeichnung befindet sich an verschiedenen Produkten und weist darauf hin, dass es laut dieser Richtlinie am Ende seiner Nutzungsdauer nicht weggeworfen, sondern zurückgegeben werden soll.

### **Abbildung 1-8. Das europäische WEEE-Symbol**



Laut der europäischen WEEE-Richtlinie sind elektrische und elektronische Geräte nach Ende ihrer Nutzungsdauer separat zu sammeln, wiederzuverwenden, zu recyceln oder aufzubereiten. Benutzer elektrischer und elektronischer Geräte mit der WEEE-Kennzeichnung dürfen diese laut Anhang IV der WEEE-Richtlinie am Ende ihrer Nutzungsdauer nicht im normalen Hausmüll entsorgen, sondern die Sammelstellen nutzen, die Kunden für die Rückgabe, das Recycling und die Wiederverwertung elektrischer und elektronischer Altgeräte zur Verfügung stehen. Die Teilnahme des Kunden ist wichtig, um die möglichen Auswirkungen elektrischer und elektronischer Altgeräte auf die Umwelt und die Gesundheit wegen womöglich darin enthaltener gefährlicher Stoffe zu minimieren.

Dell EMC Produkte, die unter die Kategorie elektrische und elektronische Altgeräte fallen, sind gemäß WEEE-Vorschrift wie oben dargestellt mit dem durchgestrichenen Müllgefäß gekennzeichnet.

Weitere Informationen zu Recyclingangeboten für Dell EMC Produkte finden Sie bei den WEEE-Recyclinganweisungen auf der Support-Seite. Für weitere Informationen wenden Sie sich an das Dell EMC Technical Assistance Center.





Dell Networking

Коммутаторы N1108T-0N/  
N1108P-0N/N1108EP-0N/  
N1124T-0N/N1124P-0N/  
N1148T-0N/N1148P-0N

# Руководство по началу работы



Нормативные номера модели: E17W и E18W

# Примечания, предупреждения и предостережения



**ПРИМЕЧАНИЕ.** Пометка ПРИМЕЧАНИЕ указывает на важную информацию, которая поможет использовать коммутатор более эффективно.



**ВНИМАНИЕ!** Пометка ВНИМАНИЕ указывает на потенциальную опасность повреждения оборудования или потери данных и подсказывает, как этого избежать.



**ПРЕДУПРЕЖДЕНИЕ.** Пометка ПРЕДУПРЕЖДЕНИЕ указывает на риск повреждения оборудования, получения травм или на угрозу для жизни.



## **Предупреждение о литиевом аккумуляторе:**

- при неправильной установке аккумуляторной батареи существует опасность взрыва. При замене используйте аккумуляторную батарею только такого же или аналогичного типа. Утилизируйте использованные аккумуляторные батареи в соответствии с инструкциями производителя.
- Никогда не помещайте аккумуляторную батарею в огонь или печь и не пытайтесь разрушить или разрезать ее механическим способом, в противном случае это может привести к взрыву.
- Нахождение аккумуляторной батареи в чрезвычайно горячей окружающей среде может привести к утечке горючей жидкости или газа и взрыву.
- Воздействие на аккумуляторную батарею очень низкого атмосферного давления также может привести к утечке горючей жидкости или газа и взрыву.
- Устройство можно использовать только в определенном месте, например, в лаборатории или машинном зале. При установке устройства убедитесь, что цепь защитного заземления в розетке проверена квалифицированным специалистом.

---

© Dell Inc. или ее подразделения, 2019. Все права защищены. Данный продукт защищен законами США и международными законами об авторских правах и интеллектуальной собственности. Наименование Dell и логотип Dell являются товарными знаками корпорации Dell Inc. в США и других странах. Прочие товарные знаки и наименования, упомянутые в данном документе, могут являться товарными знаками соответствующих компаний.

Нормативные номера модели: E17W и E18W

Май 2019 Обозначение Y7208 Ред. A01

# Содержание

1	Введение . . . . .	101
	<b>Обзор аппаратного обеспечения N1100-ON Series . . .</b>	<b>101</b>
	Энергопотребление коммутаторов N1100-ON Series с технологией PoE . . . . .	101
	Система вентиляции . . . . .	103
	<b>Сводка по модели N1100-ON Series . . . . .</b>	<b>103</b>
2	N1108T-ON/N1108P-ON Установка/ N1108EP-ON . . . . .	104
	<b>Монтаж коммутатора N1108T-ON/N1108P-ON с использованием сдвоенного лотка Dell . . . . .</b>	<b>104</b>
	<b>Монтаж N1108T-ON/N1108P-ON/N1108EP-ON в стойке с двумя опорами с помощью больших Г-образных кронштейнов . . . . .</b>	<b>105</b>
	<b>Монтаж всех коммутаторов N11xx-ON на стене . . . . .</b>	<b>106</b>
3	Установка N1124T-ON/N1124P-ON/ N1148T-ON/ N1148P-ON . . . . .	109
	<b>Установка коммутатора N1124T-ON/N1124P-ON/ N1148T-ON/ N1148P-ON в стойку . . . . .</b>	<b>109</b>
	Монтаж в стойку. . . . .	109
	Установка в качестве отдельно стоящего коммутатора. . . . .	110
	<b>Объединение в стек нескольких коммутаторов N1124T-ON/N1124P-ON/N1148T-ON/N1148P-ON. . .</b>	<b>110</b>

4	Запуск и настройка коммутатора N1100-ON Series . . . . .	111
	<b>Подключение коммутатора N1100-ON Series к терминалу. . . . .</b>	<b>112</b>
	<b>N1100-ON SeriesПодключение коммутатора к источнику питания . . . . .</b>	<b>113</b>
	Подключение питания постоянного и переменного тока. . . . .	113
	<b>Загрузка коммутатора N1100-ON Series . . . . .</b>	<b>114</b>
	<b>Выполнение первоначальной настройки N1100-ON Series . . . . .</b>	<b>115</b>
	Включение функции удаленного управления. . . . .	115
	Процедура начальной настройки . . . . .	116
	Пример сеанса . . . . .	117
	Пример консоли <b>Dell Easy Setup Wizard</b> . . . . .	118
	Дальнейшие действия . . . . .	122
5	Соответствие требованиям регуляторов . . . . .	124

# Введение

Этот документ содержит основную информацию о коммутаторах Dell Networking N1100-ON Series, в том числе сведения об их установке и первоначальной настройке. Для получения дополнительной информации о настройке и контроле функций коммутатора см. документ *Руководство пользователя по настройке*, доступное на веб-сайте поддержки Dell по адресу: [dell.com/support](http://dell.com/support). Посетите сайт технической поддержки для получения последних обновлений документации и микропрограммного обеспечения.



**ПРИМЕЧАНИЕ.** Администраторам настоятельно рекомендуется использовать для коммутаторов Dell Networking новейшую версию операционной системы Dell Networking (DNOS). Dell Networking постоянно улучшает производительность и функциональные возможности DNOS на основе обратной связи с клиентами. Прежде чем использовать новую версию DNOS в критически важной инфраструктуре, рекомендуется предварительно проверить конфигурацию и работоспособность на второстепенном участке сети.

## Обзор аппаратного обеспечения N1100-ON Series

Этот раздел содержит информацию о характеристиках устройства и конфигурации модульного аппаратного обеспечения коммутатора Dell Networking N1100-ON Series.

**ПРИМЕЧАНИЕ.** Для коммутатора N1108EP-ON используется внешний адаптер питания. Для внешнего адаптера питания N1108EP-ON монтажный комплект не предусматривается. При установке N1108EP-ON размещайте внешний адаптер питания в стороне от коммутатора.

## Энергопотребление коммутаторов N1100-ON Series с технологией PoE

Таблица 1-1 содержит описание энергопотребления коммутаторов N1100-ON Series с технологией PoE. Бюджет мощности PoE составляет 60 Вт для N1108P-ON, 123 Вт для N1108EP-ON, 185 Вт для N1124P-ON и 370 Вт для N1148P-ON.

**Таблица 1-1. Энергопотребление коммутаторов N1100-ON Series с технологией PoE**

<b>Модель</b>	<b>Входное напряжение</b>	<b>Конфигурация блока питания</b>	<b>Максимальный ток (А)</b>	<b>Максимальная мощность (Вт)</b>
N1108P-ON	100 В/60 Гц	Основной блок питания	0,95 А	88,64 Вт
	110 В/60 Гц	Основной блок питания	0,87 А	88,43 Вт
	120 В/60 Гц	Основной блок питания	0,80 А	88,22 Вт
	220 В/50 Гц	Основной блок питания	0,49 А	89,28 Вт
	240 В/50 Гц	Основной блок питания	0,45 А	89,70 Вт
N1108EP-ON	100 В/60 Гц	Внешний адаптер питания на 54 В постоянного тока	1,62 А	157 Вт
	110 В/60 Гц	Внешний адаптер питания на 54 В постоянного тока	1,47 А	157 Вт
	120 В/60 Гц	Внешний адаптер питания на 54 В постоянного тока	1,35 А	157 Вт
	220 В/50 Гц	Внешний адаптер питания на 54 В постоянного тока	0,74 А	157 Вт
	240 В/50 Гц	Внешний адаптер питания на 54 В постоянного тока	0,67 А	157 Вт
N1124P-ON	100 В/60 Гц	Основной блок питания	2,66 А	260,66 Вт
	110 В/60 Гц	Основной блок питания	2,38 А	257,95 Вт
	120 В/60 Гц	Основной блок питания	2,16 А	256,27 Вт
	220 В/50 Гц	Основной блок питания	1,18 А	250,52 Вт
	240 В/50 Гц	Основной блок питания	1,10 А	251,25 Вт
N1148P-ON	100 В/60 Гц	Основной блок питания	4,78 А	476,03 Вт
	110 В/60 Гц	Основной блок питания	4,32 А	472,64 Вт
	120 В/60 Гц	Основной блок питания	3,95 А	470,58 Вт
	220 В/50 Гц	Основной блок питания	2,14 А	459,37 Вт
	240 В/50 Гц	Основной блок питания	1,97 А	459,06 Вт

## Система вентиляции

Для охлаждения коммутаторов N1108T-ON/N1108P-ON используется один вентилятор, для охлаждения коммутаторов N1024T-ON/N1024P-ON/N1048T-ON/N1048P-ON используются два вентилятора. Вентиляторы не подлежат замене в условиях эксплуатации. Коммутатор N1108EP-ON не комплектуется вентиляторами.

## Сводка по модели N1100-ON Series

Таблица 1-2. Нормативные номера коммутаторов N1100-ON Series

Маркетинговое наименование модели (MMN)	Описание	Блок питания	Нормативный номер модели (RMN)	Нормативный номер типа (RTN)
N1108T-ON	Порты: 10x1G/2x1G SFP	DPS-24GP	E17W	E17W001
N1108P-ON	Порты: 10x1G/2x1G SFP/ 2xPoE+	DPS-80AP/ DPS-24GP	E17W	E17W001
N1108EP-ON	Порты 8x1G PoE+/2x1G PD/ 2x1G SFP	ADP-280BR	E48W	E48W001
N1124T-ON	Порты: 24x1G/4x10G SFP+	DPS-40AP	E18W	E18W001
N1124P-ON	Порты: 24x1G/4x10G SFP+/ 6xPoE+	EDPS-250BF	E18W	E18W001
N1148T-ON	Порты: 48x1G/4x10G SFP+	DPS-60AP	E18W	E18W002
N1148P-ON	Порты: 48x1G/4x10G SFP+/ 12xPoE+	YM-2501D	E18W	E18W002



# N1108T-ON/N1108P-ON Установка/ N1108EP-ON

## Монтаж коммутатора N1108T-ON/N1108P-ON с использованием сдвоенного лотка Dell

Разъем питания переменного тока находится на задней панели.

**!** **ПРЕДУПРЕЖДЕНИЕ.** Прочтите информацию по технике безопасности в документации по *безопасности и соответствию нормативным требованиям*, а также информацию по технике безопасности для других коммутаторов, подключаемых к данному коммутатору или поддерживающих его.

**!** **ПРЕДУПРЕЖДЕНИЕ.** Не используйте комплекты для установки в стойку для подвешивания коммутатора под крышкой стола либо его крепления к стене.

**△** **ВНИМАНИЕ!** Отсоедините все кабели от коммутатора перед продолжением. Снимите все самоклеющиеся наклейки с нижней стороны коммутатора, если они были прикреплены.

**△** **ВНИМАНИЕ!** При монтаже нескольких коммутаторов в стойку их необходимо устанавливать снизу вверх.

- 1 Закрепите коммутатор N1108T-ON/N1108P-ON в комплекте сдвоенного лотка Dell, как показано на Рисунок 1-1.

Рисунок 1-1. Dell Tandem Tray Kit



- 2 Вставьте коммутатор в стойку 48,26 см (19 дюймов) и убедитесь, что отверстия монтажного набора совпадают с монтажными отверстиями в стойке.
- 3 Прикрепите монтажный набор к стойке с помощью стоечных болтов либо закладных гаек с болтами и шайбами (в зависимости от типа используемой стойки). Сначала затяните нижние болты, затем верхние.

## Монтаж N1108T-ON/N1108P-ON/N1108EP-ON в стойке с двумя опорами с помощью больших Г-образных кронштейнов

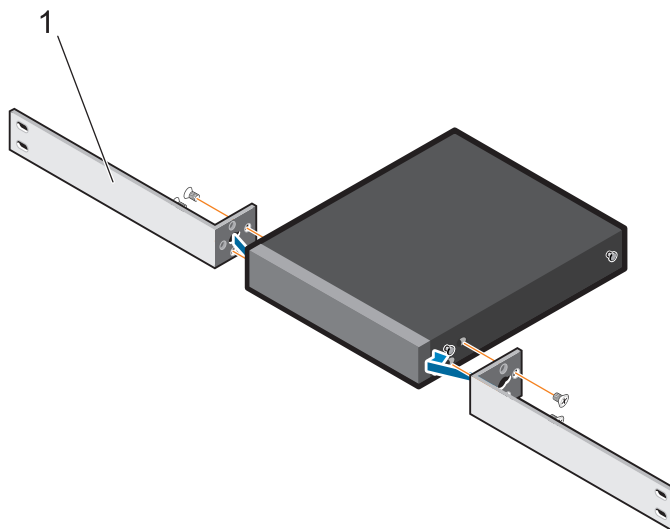
**ПРИМЕЧАНИЕ.** Разъем питания переменного тока находится на задней панели коммутаторов N1108T-ON/N1108P-ON. Разъем питания постоянного тока для N1108EP-ON находится в центре задней панели.

**ПРИМЕЧАНИЕ.** Для коммутатора N1108EP-ON используется внешний адаптер питания. Для внешнего адаптера питания N1108EP-ON монтажный комплект не предусматривается. При установке N1108EP-ON размещайте внешний адаптер питания в стороне от коммутатора.

**ВНИМАНИЕ!** Поскольку N1108EP-ON не комплектуется вентиляторами, не помещайте внешний адаптер питания на верхней панели коммутатора, чтобы не допустить перегрева.

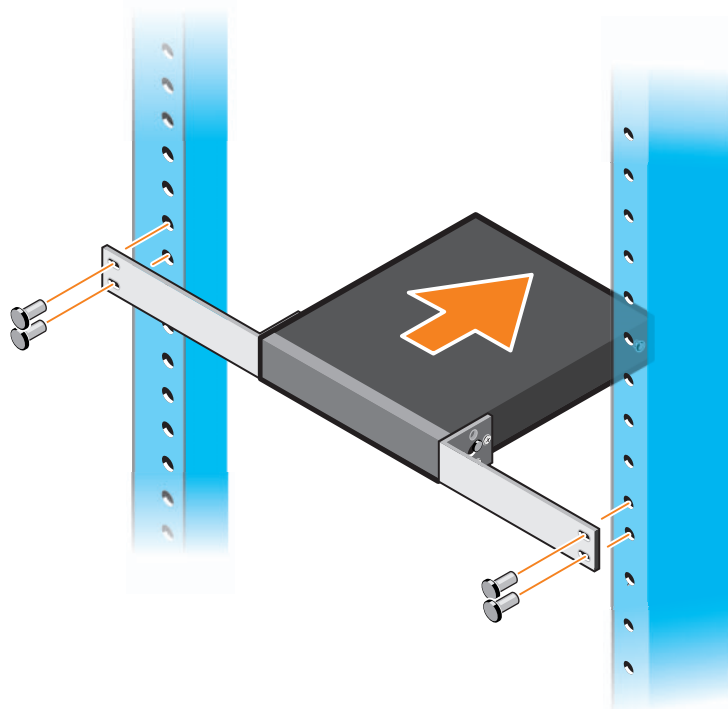
- 1 Устанавливайте прилагаемый кронштейн для монтажа в стойке с одной стороны коммутатора, проследив при этом, чтобы монтажные отверстия на коммутаторе совпадали с монтажными отверстиями на кронштейне для монтажа в стойке. См. элемент 1 на Рисунок 1-2.

Рисунок 1-2. Установка с помощью комплекта с большим Г-образным кронштейном



- 2 Вставьте прилагаемые винты в монтажные отверстия стойки и затяните их с помощью отвертки.
- 3 Повторите процесс с другой стороны коммутатора.
- 4 Вставьте коммутатор и направляющую в сборе в стойку с передней стороны стойки. Убедитесь в том, что монтажные отверстия на коммутаторе совпадают с монтажными отверстиями в стойке.
- 5 Закрепите коммутатор в стойке с помощью винтов крепления в стойке. Затягивайте вначале нижнюю пару винтов, затем верхнюю пару винтов. См. раздел Рисунок 1-3.

**Рисунок 1-3. Установка в стойке с двумя опорами с Г-образным кронштейном**

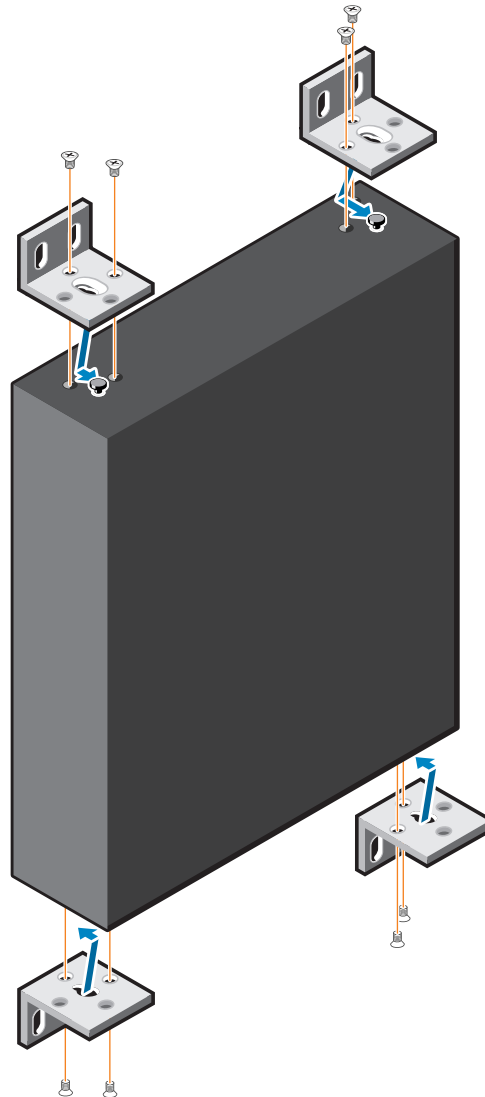


## **Монтаж всех коммутаторов N11xx-ON на стене**

- 1 Убедитесь, что место установки соответствует следующим требованиям.
  - Поверхность стены может выдерживать вес коммутатора.
  - Место установки должно хорошо вентилироваться для предотвращения перегрева устройства.

- 2 Разместите прилагаемый кронштейн для монтажа на стене с одной стороны коммутатора так, чтобы монтажные отверстия на коммутаторе совпадали с монтажными отверстиями в кронштейне.
- 3 Вставьте прилагаемые винты в отверстия на кронштейне для настенного монтажа и затяните их отверткой. См. раздел Рисунок 1-4.

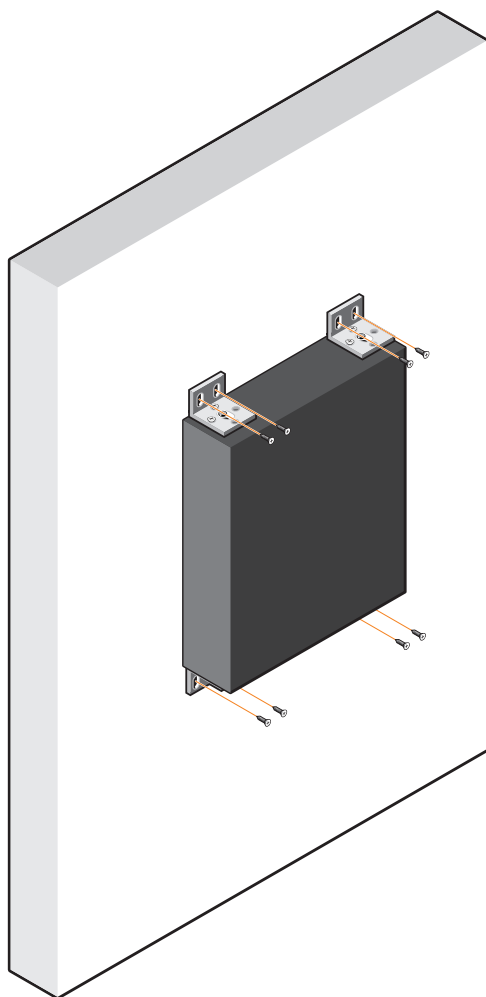
**Рисунок 1-4. Вставка монтажных кронштейнов**



- 4 Повторите эти действия для монтажного кронштейна с другой стороны коммутатора.
- 5 Разместите коммутатор в месте установки на стене.
- 6 Отметьте места на стене, где должны быть подготовлены винты для подвешивания коммутатора.

- 7** В отмеченных местах просверлите отверстия и поместите в отверстия все восемь дюбелей, входящих в комплект поставки.
- 8** Вставьте прилагаемые винты в отверстия на кронштейне для настенного монтажа и затяните их отверткой. См. раздел Рисунок 1-5.

**Рисунок 1-5. Монтаж на стене**



# Установка N1124T-0N/N1124P-0N/ N1148T-0N/ N1148P-0N

## Установка коммутатора N1124T-0N/N1124P-0N/ N1148T-0N/ N1148P-0N в стойку

**⚠ ПРЕДУПРЕЖДЕНИЕ.** Прочтите информацию по технике безопасности в документации по *безопасности и соответствию нормативным требованиям*, а также информацию по технике безопасности для других коммутаторов, подключаемых к данному коммутатору или поддерживающих его.

Разъем питания переменного тока находится на задней панели коммутатора.

### Монтаж в стойку

**⚠ ПРЕДУПРЕЖДЕНИЕ.** Не используйте комплекты для установки в стойку для подвешивания коммутатора под крышкой стола либо его крепления к стене.

**△ ВНИМАНИЕ!** Отсоедините все кабели от коммутатора перед продолжением. Снимите все самоклеящиеся наклейки с нижней стороны коммутатора, если они были прикреплены.

**△ ВНИМАНИЕ!** При монтаже нескольких коммутаторов в стойку их необходимо устанавливать снизу вверх.

- 1 Установите прилагаемый монтажный кронштейн с одной стороны коммутатора, убедившись, что монтажные отверстия на коммутаторе совпадают с монтажными отверстиями в кронштейне. На Рисунок 1-6 показаны места крепления кронштейнов.

Рисунок 1-6. Крепление кронштейнов



- 2 Вставьте прилагаемые болты в монтажные отверстия и затяните их с помощью отвертки.
- 3 Повторите эти действия для монтажного кронштейна с другой стороны коммутатора.
- 4 Вставьте коммутатор в стойку 48,26 см (19 дюймов) и убедитесь, что монтажные отверстия кронштейна совпадают с монтажными отверстиями в стойке.
- 5 Прикрепите кронштейн к стойке с помощью стоечных болтов либо закладных гаек с болтами и шайбами (в зависимости от типа используемой стойки). Сначала затяните нижние болты, затем верхние.



**ВНИМАНИЕ!** Убедитесь, что входящие в комплект стоечные болты подходят к резьбовым отверстиям в стойке.



**ПРИМЕЧАНИЕ.** Убедитесь, что вентиляционные отверстия не закрыты.

### Установка в качестве отдельно стоящего коммутатора



**ПРИМЕЧАНИЕ.** Dell настоятельно рекомендует монтировать коммутатор в стойку.

Установите коммутатор на плоскую поверхность, если он не монтируется в стойку. Поверхность должна выдерживать вес коммутатора и его кабелей. В комплект поставки коммутатора входят четыре самоклеящиеся резиновые наклейки.

- 1 Прикрепите самоклеящиеся резиновые ножки на каждый отмеченный участок на нижней стороне коммутатора.
- 2 Установите коммутатор на ровную поверхность. Убедитесь, что обеспечена достаточная вентиляция, оставив зазор в 5 см (2 дюйма) с каждой стороны и 13 см (5 дюймов) сзади.

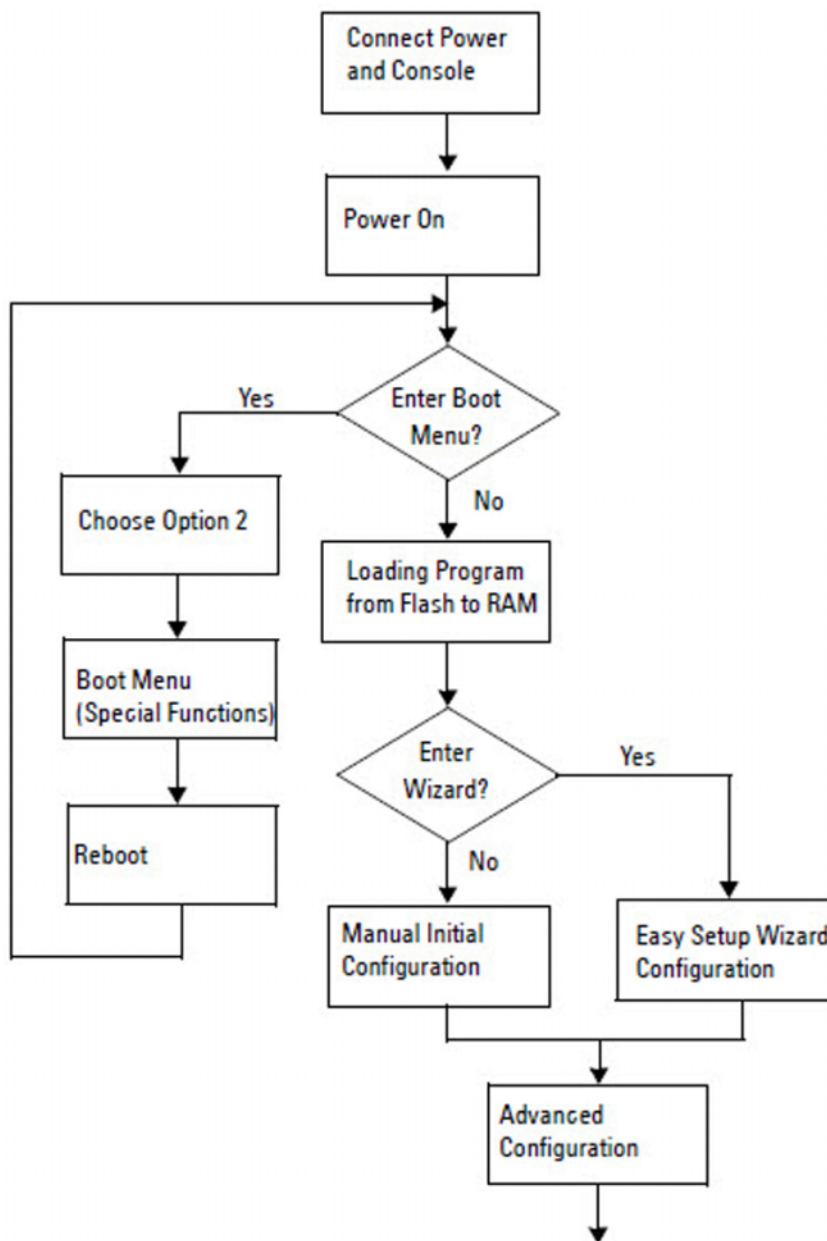
## Объединение в стек нескольких коммутаторов N1124T-ON/N1124P-ON/N1148T-ON/N1148P-ON

Можно объединить в стек до четырех коммутаторов N1124T-ON/N1124P-ON/N1148T-ON/ N1148P-ON с помощью портов 10G SFP+ на передней панели коммутатора. Порты должны быть настроены для поддержки объединения в стек. Когда несколько коммутаторов соединены друг с другом с помощью портов стека, они работают как единый блок, предоставляющий до 208 портов на передней панели. Стек работает и управляется как одно устройство. Для получения дополнительной информации см. *Руководство пользователя по настройке* и *Справочное руководство интерфейса командной строки*.

# Запуск и настройка коммутатора N1100-0N Series

На следующей схеме представлен обзор действий для выполнения начальной настройки после распаковки и монтажа коммутатора.

Рисунок 1-7. Схема установки и настройки





# Подключение коммутатора N1100-ON Series к терминалу

После выполнения всех внешних соединений выполните настройку коммутатора, подключив его к терминалу.



**ПРИМЕЧАНИЕ.** Прежде чем продолжить, ознакомьтесь с заметками о выпуске для данного продукта. Заметки о выпуске можно загрузить с веб-сайта технической поддержки Dell по адресу [dell.com/support](http://dell.com/support).



**ПРИМЕЧАНИЕ.** Dell рекомендует получать самые последние версии документации для пользователя с веб-сайта технической поддержки Dell по адресу [dell.com/support](http://dell.com/support).

Для контроля и конфигурации коммутатора с помощью консоли USB используйте порт консоли на передней панели коммутатора. С помощью прилагаемого кабеля USB подключите его к компьютеру, на котором запущено программное обеспечение эмуляции терминала VT100. При первом использовании USB-кабеля может потребоваться загрузить и установить драйвер.

Для подключения к порту консоли может использоваться следующее оборудование:

- VT100-совместимый компьютер с портом USB. На компьютере должно быть запущено ПО эмуляции терминала VT100, например HyperTerminal®, и драйвер USB.
- Прилагаемый кабель USB с разъемом USB типа B для подключения к порту консоли и разъемом USB для главного компьютера.

Для подключения терминала к порту консоли коммутатора выполните следующие действия.

- 1** Подключите разъем USB типа B к коммутатору, а другой конец кабеля к компьютеру с запущенным ПО эмуляции терминала VT100.
- 2** Настройте программу эмуляции терминала следующим образом:
  - a** Выберите нужный последовательный порт (например, COM 1), чтобы подключить к нему консоль.
  - b** Установите скорость передачи данных 115 200 бод.
  - c** Установите формат данных: 8 data bits, 1 stop bit и no parity.
  - d** Установите параметр управления потоком нет.
  - e** Установите режим эмуляции терминала **VT100**.

- f Выберите клавиши терминала для функциональных клавиш, клавиш со стрелками и клавиши Ctrl. Убедитесь, что настройка выполнена для клавиш терминала (не клавиш Microsoft Windows).
- 3 Подключите разъем кабеля USB типа B непосредственно к консольному порту коммутатора. Консольный порт Dell Networking находится на правой стороне передней панели и имеет маркировку |O|O|.



**ПРИМЕЧАНИЕ.** Доступ из консоли к менеджеру стека возможен с любого порта консоли через локальный интерфейс командной строки. Консоль одновременно поддерживает только один сеанс USB.

## **N1100-ON Series Подключение коммутатора к источнику питания**



**ВНИМАНИЕ!** Прочтите информацию по технике безопасности в документации по безопасности и соответствию нормативным требованиям, а также информацию по технике безопасности для других коммутаторов, подключаемых к данному коммутатору или поддерживающих его.

Модели N1108T-ON и N1108P-ON комплектуются одним внутренним блоком питания. Разъем питания расположен на задней панели. Для N1108EP-ON используется внешний адаптер питания постоянного тока. Внешний адаптер питания постоянного тока

### **Подключение питания постоянного и переменного тока**

- 1 Убедитесь, что консольный порт коммутатора подключен к ПК с запущенным эмулятором терминала VT100 с помощью кабеля с разъемами USB и USB типа B.
- 2 Подсоедините стандартный кабель питания длиной 1,5 метра (5 футов) с защитным заземлением к основному разъему питания переменного тока на задней панели.

Модели коммутаторов PoE имеют усиленный кабель питания, разъем которого оснащен пазом для подключения к разъему питания коммутатора. Использование этого типа кабеля является обязательным для коммутаторов PoE.

- 3 Подсоедините кабель питания к заземленной электророзетке.

## Загрузка коммутатора N1100-ON Series

При включении питания с уже подключенным локальным терминалом коммутатор выполняет самотестирование при включении питания (тест POST). Тест POST запускается каждый раз при инициализации коммутатора и выполняет проверку компонентов оборудования, чтобы убедиться в работоспособности коммутатора перед полной загрузкой. Если при выполнении теста POST обнаруживаются критически важная проблема, выполнение программы останавливается. Если выполнение теста POST завершается успешно, в ОЗУ загружается микропрограммное обеспечение. Сообщения теста POST отображаются на терминале и указывают на успешное либо неудачное завершение теста. Процесс загрузки занимает приблизительно 60 секунд.

После завершения выполнения первой части теста POST можно открыть меню **Boot** (Загрузка). В меню **Boot** можно выполнить такие задачи настройки, как восстановление параметров системы по умолчанию, активация архивного образа или восстановление пароля. Более подробную информацию о функциях меню **Boot** см. в *Справочном руководстве интерфейса командной строки*.

# Выполнение первоначальной настройки N1100-ON Series

Процедура первоначальной настройки предполагает следующие допущения.

- Настройка коммутатора Dell Networking никогда раньше не выполнялась.
- Коммутатор Dell Networking успешно загружается.
- Было установлено подключение к консоли, а на экране ПК с запущенным ПО эмуляции терминала появился запрос **Dell Easy Setup Wizard**.

Первоначальная настройка коммутатора выполняется через консольный порт. После первоначальной настройки можно управлять коммутатором с помощью уже подключенного консольного порта либо дистанционно через интерфейс, определенный в процессе первоначальной настройки.



**ПРИМЕЧАНИЕ.** Коммутатор не настраивается с именем пользователя по умолчанию, паролем и IP-адресом.

Перед выполнением первоначальной настройки коммутатора необходимо получить следующую информацию у администратора сети:

- IP-адрес для интерфейса управления;
- маска подсети IP для сети;
- IP-адрес шлюза по умолчанию для интерфейса управления.

Эти параметры необходимы для удаленного управления коммутатором через Telnet (клиент Telnet) или HTTP (веб-браузер).

## Включение функции удаленного управления

На коммутаторах N1100-ON Series можно использовать любой из портов на передней панели для внутрисетевых портов управления. По умолчанию все внутрисетевые порты являются членами сети VLAN 1.

**Dell Easy Setup Wizard** Включает приглашения для настройки сетевой информации интерфейса VLAN 1 на коммутаторах N1100-ON Series. Можно назначить статический IP-адрес и маску подсети или включить DHCP, чтобы информацию назначил сетевой сервер DHCP.

Сведения о командах настройки сетевой информации см. в *Справочном руководстве интерфейса командной строки*.

## Процедура начальной настройки

Выполнение первоначальной настройки с помощью **Dell Easy Setup Wizard** или с помощью интерфейса командной строки. Мастер запускается автоматически, если файл конфигурации коммутатора является пустым. Можно в любой момент выйти из мастера с помощью комбинации [ctrl+z], но при этом все параметры настройки будут сброшены и коммутатор будет использовать значения по умолчанию.



**ПРИМЕЧАНИЕ.** Если не запустить **Dell Easy Setup Wizard** или не отреагировать на первоначальный запрос Easy Setup Wizard в течение 60 секунд, коммутатор войдет в режим интерфейса командной строки. Чтобы перезапустить **Dell Easy Setup Wizard**, необходимо сбросить коммутатор с помощью пустой начальной конфигурации.

Дополнительную информацию о выполнении первоначальной настройки с помощью интерфейса командной строки см. в *Справочном руководстве интерфейса командной строки*. Настоящее *Руководство по началу работы* содержит сведения о том, как использовать **Dell Easy Setup Wizard** для первоначальной настройки коммутатора. Далее перечислены параметры коммутатора, которые устанавливаются с помощью мастера.

- Устанавливается начальная учетная запись привилегированного пользователя с действующим паролем. Во время настройки мастер настраивает одну учетную запись привилегированного пользователя.
- Обеспечивается вход в интерфейс командной строки и доступ по протоколу HTTP (только для использования параметров локальной проверки подлинности).
- Задается IP-адрес для интерфейса маршрутизации VLAN 1, куда входят все внутрисетевые порты.
- Задается строка сообщества SNMP для использования менеджером SNMP по данному IP-адресу. Пропустите этот шаг, если для данного коммутатора не используется SNMP-управление.
- Позволяет указать IP-адрес системы сетевого управления или разрешить доступ для управления со всех IP-адресов.
- Настраивается IP-адрес шлюза по умолчанию для интерфейса VLAN 1.

## Пример сеанса

В этом разделе описывается сеанс **Dell Easy Setup Wizard**. В примере сеанса используются следующие значения:

- строка сообщества SNMP: **public**;
- IP-адрес системы сетевого управления (NMS): **10.1.2.100**;
- имя пользователя: **admin**, пароль: **admin123**;
- IP-адрес интерфейса маршрутизации VLAN 1: **10.1.1.200**, маска подсети: **255.255.255.0**;
- шлюз по умолчанию: **10.1.1.1**.

Мастер настраивает начальные значения, как описано выше. После завершения работы мастера коммутатор будет настроен следующим образом:

- протокол SNMPv2 включен, строка сообщества настроена как описано выше; протокол SNMPv3 по умолчанию отключен;
- учетная запись администратора настроена;
- система сетевого управления настроена; со станции управления возможен доступ к SNMP, HTTP и интерфейсу командной строки; можно также разрешить доступ к этим интерфейсам управления со всех IP-адресов путем выбора IP-адреса (0.0.0.0);
- IP-адрес настроен для интерфейса маршрутизации VLAN 1;
- настроен адрес шлюза по умолчанию.



**ПРИМЕЧАНИЕ.** В следующем примере доступные параметры пользователя или значения по умолчанию указаны в квадратных скобках [ ]. Если нажать <Enter> без указания параметров, будет использоваться значение по умолчанию. Текст справки заключен в скобки.

## Пример консоли Dell Easy Setup Wizard

Следующий пример содержит последовательность запросов и ответов, связанных с запуском примера сеанса **Dell Easy Setup Wizard** с использованием перечисленных ранее входных значений.

После выполнения коммутатором процедуры POST и загрузки появится следующее диалоговое окно:

```
Unit 1 - Waiting to select management unit)>
```

```
_____Dell SupportAssist EULA_____
```

```
I accept the terms of the license agreement. You can
reject the license agreement by configuring this
command 'eula-consent support-assist reject'.
```

```
By installing SupportAssist, you allow Dell to save
your contact information (e.g. name, phone number
and/or email address) which would be used to provide
technical support for your Dell products and services
Dell may use the information for providing
recommendations to improve your IT infrastructure.
Dell SupportAssist also collects and stores machine
diagnostic information, which may include but is not
limited to configuration information, user supplied
contact information, names of data volumes, IP
addresses, access control lists, diagnostics &
performance information, network configuration
information, host/server configuration & performance
information and related data (Collected Data) and
transmits this information to Dell. By downloading
SupportAssist and agreeing to be bound by these terms
and the Dell end user license agreement, available at:
http://www.dell.com/aeula, you agree to allow Dell to
provide remote monitoring services of your IT
environment and you give Dell the right to collect the
Collected Data in accordance with Dell's Privacy
Policy, available at:
http://www.dell.com/privacypolicycountryspecific, in
order to enable the performance of all of the various
functions of SupportAssist during your entitlement to
```

receive related repair services from Dell. You further agree to allow Dell to transmit and store the Collected Data from SupportAssist in accordance with these terms. You agree that the provision of SupportAssist may involve international transfers of data from you to Dell and/or to Dell's affiliates, subcontractors or business partners. When making such transfers, Dell shall ensure appropriate protection is in place to safeguard the Collected Data being transferred in connection with SupportAssist. If you are downloading SupportAssist on behalf of a company or other legal entity, you are further certifying to Dell that you have appropriate authority to provide this consent on behalf of that entity. If you do not consent to the collection, transmission and/or use of the Collected Data, you may not download, install or otherwise use SupportAssist.

\_\_\_\_\_AeroHive HiveManager NG EULA\_\_\_\_\_

This switch includes a feature that enables it to work with HiveManager (an optional management suite), by sending the switch's service tag number and IP Address to HiveManager to authenticate your entitlement to use HiveManager. If you wish to disable this feature, you should run command 'eula-consent hiveagent reject' immediately upon powering up the switch for the first time, or at any time thereafter.

Applying Global configuration, please wait...

Welcome to Dell Easy Setup Wizard

The setup wizard guides you through the initial switch configuration, and gets you up and running as quickly as possible. You can skip the setup wizard, and enter CLI mode to manually configure the switch. You must respond to the next question to run the setup wizard within 60 seconds, otherwise the system will continue



with normal operation using the default system configuration. Note: You can exit the setup wizard at any point by entering [ctrl+z].

Would you like to run the setup wizard (you must answer this question within 60 seconds)? [Y/N] **y**

Step 1:

The system is not set up for SNMP management by default. To manage the switch using SNMP (required for Dell Network Manager) you can

- . Set up the initial SNMP version 2 account now.
- . Return later and set up other SNMP accounts. (For more information on setting up an SNMP version 1 or 3 account, see the user documentation).

Would you like to set up the SNMP management interface now? [Y/N] **y**

To set up the SNMP management account you must specify the management system IP address and the "community string" or password that the particular management system uses to access the switch. The wizard automatically assigns the highest access level [Privilege Level 15] to this account. You can use Dell Network Manager or other management interfaces to change this setting, and to add additional management system information later. For more information on adding management systems, see the user documentation.

To add a management station:

Please enter the SNMP community string to be used.

[public]: **public**



**ПРИМЕЧАНИЕ.** Если настройка выполнена, для уровня доступа по умолчанию будет установлено значение максимального доступа к управляющему интерфейсу SNMP. Изначально будет активирован только протокол SNMPv2. Протокол SNMPv3 будет отключен до возврата к настройке безопасного доступа к SNMPv3 (например, идентификатор, вид и т.д.).

Please enter the IP address of the Management System (A.B.C.D) or wildcard (0.0.0.0) to manage from any Management Station. [0.0.0.0]: **10.1.2.100**

Step 2:

Now we need to set up your initial privilege (Level 15) user account. This account is used to login to the CLI and Web interface. You may set up other accounts and change privilege levels later. For more information on setting up user accounts and changing privilege levels, see the user documentation.

To set up a user account:

Please enter the user name. [root]:**admin**

Please enter the user password: **\*\*\*\*\***

Please reenter the user password: **\*\*\*\*\***

Step 3:

Next, an IP address is set up on the VLAN 1 routing interface.

You can use the IP address to access the CLI, Web interface, or SNMP interface of the switch.

To access the switch through any Management Interface you can

. Set up the IP address for the Management Interface.

. Set up the default gateway if IP address is manually configured on the routing interface.

Step 4:

Would you like to set up the VLAN1 routing interface now? [Y/N] **y**

Please enter the IP address of the device (A.B.C.D) or enter "DHCP" (without the quotes) to automatically request an IP address from the network DHCP server:  
**10.1.1.200**

Please enter the IP subnet mask (A.B.C.D or /nn):  
**255.255.255.0**

Step 5:

Finally, set up the default gateway. Please enter the IP address of the gateway from which this network is reachable. [0.0.0.0]: **10.1.1.1**

This is the configuration information that has been collected:

```
SNMP Interface = "public"@10.1.2.100
User Account setup = admin
Password = *****
VLAN1 Router Interface IP = 10.1.1.200 255.255.255.0
Default Gateway = 10.1.1.1
```

Step 6:

If the information is correct, please enter (Y) to save the configuration and copy the settings to the start-up configuration file. If the information is incorrect, enter (N) to discard the configuration and restart the wizard: [Y/N] **y**

Thank you for using the Dell Easy Setup Wizard. You will now enter CLI mode.

Applying Interface configuration, please wait...

## **Дальнейшие действия**

После выполнения первоначальной настройки, описанной в данном разделе, подключите порты на передней панели коммутатора к сети предприятия для внутрисетевых удаленных управлений.

Если для IP-адреса интерфейса управления VLAN 1 был указан протокол DHCP, интерфейс будет получать IP-адрес от сервера DHCP в сети. Для обнаружения динамически назначенного IP-адреса используйте подключение к порту консоли и введите следующую команду:

- Для интерфейса маршрутизации VLAN 1 введите **show ip interface**.

Чтобы получить доступ к интерфейсу Dell OpenManage Switch Administrator, введите IP-адрес интерфейса управления VLAN 1 в поле адреса веб-браузера. Для удаленного доступа к интерфейсу командной строки введите IP-адрес интерфейса управления VLAN 1 в клиенте Telnet

или SSH. Кроме того, можно продолжать использовать порт консоли для локального доступа к коммутатору с помощью интерфейса командной строки.

Коммутаторы N1100-ON Series поддерживают основные возможности коммутации, такие как сети VLAN и протокол связующего дерева. Используйте веб-интерфейс управления или интерфейс командной строки для настройки всех необходимых сетевых функций. Для получения информации о настройке функций коммутатора см. *Руководство пользователя по настройке* или *Справочное руководство интерфейса командной строки* на веб-сайте технической поддержки по адресу: **dell.com/support**.

# Соответствие требованиям регуляторов

Коммутаторы The N1108T-ON, N1108P-ON, N1108EP-ON, N1124T-ON, N1124P-ON, N1148T-ON и N1148P-ON отвечают следующим требованиям по технике безопасности и нормативным требованиям.

## Заявление о соответствии Директиве Европейского Союза об электромагнитной совместимости

Этот продукт соответствует требованиям к защите Директивы Совета ЕС 2004/30/ЕС о сближении законов государств-членов, касающихся электромагнитной совместимости. Корпорация Dell EMC не может принять на себя ответственность за несоблюдение требований к защите, вызванное нерекомендованной модификацией этого продукта, включая установку дополнительных плат EMC сторонних производителей.

Данное устройство проверено и признано соответствующим ограничениям для оборудования класса А для информационных технологий в соответствии с CISPR 32/CISPR34 и EN55032/EN55034. Эти предельные нормы для оборудования класса А разработаны для коммерческих и производственных сред, чтобы обеспечить приемлемую защиту от помех для лицензированных устройств связи.

**ПРЕДУПРЕЖДЕНИЕ.** Это устройство соответствует классу А. В домашних условиях данное устройство может стать причиной радиопомех, и в этом случае может потребоваться принять соответствующие меры.

Сведения о контактах Европейского Сообщества:

Dell EMC, EMEA — Central

Dahlienweg 19

66265 Heusweiler

Германия

Тел.: +49 172 6802630

Эл. почта: EMEA Central Sales

## Сертификация в соответствии с требованиями Индии

Продукт соответствует действующим *Основным требованиям Инженерного центра электросвязи (ТЕС)*.

## **Стандарты безопасности и сертификаты соответствия требованиям регуляторов**

- IEC 62368-1, 2-е издание
- CUS UL 60950-1, 2-е издание
  - Соответствует или превышает требования к испытанию высоким напряжением и постоянному контролю изоляции по отношению к земле согласно UL 60950-1.
- AS/NZS 60950
- CSA 60950-1-03, 2-е издание
- EN 60950-1, 2-е издание
- EN 60825-1, 1-е издание
- EN 60825-1 «Безопасность лазерных устройств», часть 1: «Требования к сертификации оборудования и руководство пользователя»
- EN 60825-2 «Безопасность лазерных устройств», часть 2: «Безопасность волоконно-оптических систем связи»
- Правила FDA 21CFR 1040.10 и 1040.11
- IEC 60950-1, 2-е издание, включая все национальные отклонения и групповые различия

## **Электромагнитная совместимость**

### **Электромагнитные излучения**

- Все государства: CISPR 32, класс А
- Австралия и Новая Зеландия: AS/NZS CISPR 32, класс А
- Канада: ICES-003, Выпуск-4, класс А
- Европа: EN55032:2015 (CISPR 32) класс А
- EN55032
- Япония: VCCI, класс А
- Корея: KN32, класс А
- Тайвань: CNS13438, класс А
- США: FCC CFR47, часть 15, подраздел В, класс А

## Невосприимчивость

- EN 300 386 EMC для сетевого оборудования
- EN 55024
- EN 61000-3-2 «Гармонические излучения по току»
- EN 61000-3-3 «Колебания и пульсации напряжения»
- EN 61000-4-2 «Электростатические разряды»
- EN 61000-4-3 «Устойчивость к радиочастотным помехам»
- EN 61000-4-4 «Устойчивость к быстрым переходным процессам»
- EN 61000-4-5 «Скачки напряжения»
- EN 61000-4-6 «Устойчивость к наведенным низкочастотным помехам»

## Переработка и утилизация продукта

Вы должны утилизировать или передать на вторичную переработку эту систему в соответствии с действующими местными и национальными правилами. Dell EMC рекомендует владельцам оборудования для информационных технологий (ИТ) должным образом утилизировать это оборудование после завершения эксплуатации. Dell EMC предлагает различные программы и услуги по возврату продуктов в нескольких странах, чтобы помочь владельцам оборудования утилизировать свои ИТ-продукты.

Dell Networking  
N1108T-0N/N1108P-0N/  
N1108EP-0N/N1124T-0N/  
N1124P-0N/N1148T-0N/  
N1148P-0N komutatori

# Priručnik za početak rada





# Napomene, oprez i upozorenja



**NAPOMENA:** NAPOMENA ukazuje na važne informacije koje će vam pomoći da komutator iskoristite na bolji način.



**OPREZ:** OPREZ ukazuje na potencijalno oštećenje hardvera ili gubitak podataka i saopštava vam kako da izbegnete problem.



**UPOZORENJE:** UPOZORENJE ukazuje na potencijalno oštećenje imovine, telesne povrede i smrtni ishod.



**Upozorenje u vezi sa litijumskim baterijama:**

- Postoji opasnost od eksplozije u slučaju nepravilne zamene baterije. Zamenite bateriju samo baterijom istog ili ekvivalentnog tipa. Odložite baterije u skladu sa uputstvima proizvođača.
- Može da dođe do eksplozije ako bateriju bacite u vatru ili toplu peć odnosno u slučaju mehaničkog drobljenja ili sečenja baterije.
- Ako ostavite bateriju u veoma toplom okruženju, može da dođe do curenja zapaljive tečnosti, gasa ili eksplozije.
- Ako se baterija izloži izuzetno niskom vazдушnom pritisku, može da dođe do curenja zapaljive tečnosti, gasa ili eksplozije.
- Uređaj može da se koristi samo na fiksnoj lokaciji, kao što je laboratorija ili prostorija za mašine. Kada instalirate uređaj, postarajte se da zaštitni priključak za uzemljenje utičnice proveri stručno lice.

---

© 2019 Dell Inc. ili njene podružnice. Sva prava zadržana. Ovaj proizvod je zaštićen zakonima u SAD i međunarodnim zakonima o autorskom pravu i intelektualnoj svojini. Dell i logotip Dell zaštitni žigovi kompanije Dell Inc. u SAD i/ili drugih pravnim nadležnostima. Sve druge marke i nazivi koji su ovde pomenuti mogu biti zaštitni žigovi njihovih kompanija.

Regulatorni modeli: E17W i E18W

Маи 2019 P/N Y7208 Rev. A01

# Sadržaj

1	Uvod . . . . .	131
	<b>Seriya N1100-ON Pregled hardvera . . . . .</b>	<b>131</b>
	Potrošnja energije za Seriya N1100-ON PoE komutatore . . . . .	131
	Ventilacioni sistem . . . . .	132
	<b>Seriya N1100-ON Kratak pregled modela . . . . .</b>	<b>133</b>
2	N1108T-ON/N1108P-ON/ N1108EP-ON instalacija . . . . .	134
	<b>Postavljanje N1108T-ON/N1108P-ON komutatora uz korišćenje Dell dualnog ležišta . . . . .</b>	<b>134</b>
	<b>Postavljanje N1108T-ON/N1108P-ON/N1108EP-ON na dvostubni rek pomoću velikih L-profila . . . . .</b>	<b>135</b>
	<b>Postavite sve N11xx-ON komutator na zid . . . . .</b>	<b>136</b>
3	Instalacija N1124T-ON/N1124P-ON/ N1148T-ON/ N1148P-ON . . . . .	139
	<b>Montaža komutatora N1124T-ON/N1124P-ON/ N1148T-ON/ N1148P-ON u rek . . . . .</b>	<b>139</b>
	Instaliranje u rek . . . . .	139
	Instaliranje u formi samostalnog komutatora. . . . .	140
	<b>Postavljanje više komutatora N1124T-ON/N1124P-ON/ N1148T-ON/ N1148P-ON u visinu . . . . .</b>	<b>140</b>

4	Pokretanje i konfigurisanje Serija N1100-ON komutatora . . . . .	141
	<b>Povezivanje Serija N1100-ON komutatora na terminal . . . . .</b>	<b>142</b>
	<b>Serija N1100-ON Povezivanje komutatora na izvor napajanja . . . . .</b>	<b>143</b>
	Povezivanje naizmenične i jednosmerne struje . . . . .	143
	<b>Pokretanje Serija N1100-ON komutatora . . . . .</b>	<b>144</b>
	<b>Obavljanje Serija N1100-ON početne konfiguracije. . . . .</b>	<b>145</b>
	Omogućavanje daljinskog upravljanja . . . . .	145
	Procedura početne konfiguracije . . . . .	146
	Primer sesije . . . . .	147
	Primer <b>Dell čarobnjak za jednostavno podešavanje</b> konzole. . . . .	148
	Sledeći koraci . . . . .	152
5	Usklađenost sa smernicama agencije . . . . .	154

# Uvod

U ovom dokumentu navedene su osnovne informacije o Dell Networking Serija N1100-ON komutatorima, uključujući informacije o tome kako da instalirate komutator i da obavite početno konfigurisanje. Informacije o tome kako da konfigurirate i pratite funkcije komutatora potražite u dokumentu *Korisnički priručnik za konfiguraciju*, koji se nalazi na veb lokaciji za podršku kompanije Dell na adresi [dell.com/support](http://dell.com/support). Posetite veb lokaciju za podršku za najnovija ažuriranja o dokumentaciji i fabričkom softveru.



**NAPOMENA:** Administratorima komutatora se strogo preporučuje da operativni sistem Dell Networking (DNOS) Dell Networking komutatora održavaju na najnovijoj verziji. Dell Networking neprekidno poboljšava karakteristike i funkcije DNOS na osnovu povratnih informacija od vas, kupca. Kod kritičnih infrastruktura, preporučuje se prethodno pripremanje nove verzije u nekritičnom delu mreže kako bi se potvrdila konfiguracija mreže i rad sa novom verzijom DNOS.

## Serija N1100-ON Pregled hardvera

U ovom delu nalaze se informacije o karakteristikama uređaja i modularnim hardverskim konfiguracijama komutatora Dell Networking Serija N1100-ON.

**NAPOMENA:** Komutator N1108EP-ON koristi eksterni adapter za napajanje. Ne postoji komplet za montiranje za eksterni adapter za napajanje za N1108EP-ON. Pri montiranju komutatora N1108EP-ON, eksterni adapter za napajanje postavite dalje od komutatora.

### Potrošnja energije za Serija N1100-ON PoE komutatore

Tabela 1-1 opisuje potrošnju energije za Serija N1100-ON PoE komutatore. Budžet snage PoE komutatora je 60W za N1108P-ON, 123W za N1108EP-ON, 185W za N1124P-ON, i 370W za N1148P-ON.

**Tabela 1-1. Potrošnja energije za Serija N1100-ON PoE komutatore**

Model	Ulazni napon	Konfiguracija napajanja	Maksimalna neprekidna potrošnja struje (A)	Maksimalno neprekidno napajanje (W)
N1108P-ON	100 V/60 Hz	Glavna PSU	0,95 A	88,64 W
	110 V/60 Hz	Glavna PSU	0,87 A	88,43 W
	120 V/60 Hz	Glavna PSU	0,80 A	88,22 W
	220 V/50 Hz	Glavna PSU	0,49 A	89,28 W
	240 V/50 Hz	Glavna PSU	0,45 A	89,70 W

Model	Ulazni napon	Konfiguracija napajanja	Maksimalna neprekidna potrošnja struje (A)	Maksimalno neprekidno napajanje (W)
N1108EP-ON	100 V/60 Hz	54VDC eksterni adapter za napajanje	1,62 A	157 W
	110 V/60 Hz	54VDC eksterni adapter za napajanje	1,47 A	157 W
	120 V/60 Hz	54VDC eksterni adapter za napajanje	1,35 A	157 W
	220 V/50 Hz	54VDC eksterni adapter za napajanje	0,74 A	157 W
	240 V/50 Hz	54VDC eksterni adapter za napajanje	0,67 A	157 W
N1124P-ON	100 V/60 Hz	Glavna PSU	2,66 A	260,66 W
	110 V/60 Hz	Glavna PSU	2,38 A	257,95 W
	120 V/60 Hz	Glavna PSU	2,16 A	256,27 W
	220 V/50 Hz	Glavna PSU	1,18 A	250,52 W
	240 V/50 Hz	Glavna PSU	1,10 A	251,25 W
N1148P-ON	100 V/60 Hz	Glavna PSU	4,78 A	476,03 W
	110 V/60 Hz	Glavna PSU	4,32 A	472,64 W
	120 V/60 Hz	Glavna PSU	3,95 A	470,58 W
	220 V/50 Hz	Glavna PSU	2,14 A	459,37 W
	240 V/50 Hz	Glavna PSU	1,97 A	459,06 W

## Ventilacioni sistem

Jedan ventilator hladi N1108T-ON/N1108P-ON komutatore dok dva ventilatora hlade N1024T-ON/N1024P-ON/N1048T-ON/N1048P-ON komutatore. Ventilatori se ne mogu menjati na terenu. N1108EP-ON je komutator bez ventilatora.

## Seriya N1100-ON Kratak pregled modela

Tabela 1-2. Seriya N1100-ON Regulatori brojevi komutatora

Marketinški naziv modela (MMN)	Opis	Jedinica za napajanje (PSU)	Regulatorni broj modela (RMN)	Regulatorni broj tipa (RTN)
N1108T-ON	10x1G/2x1G SFP portovi	DPS-24GP	E17W	E17W001
N1108P-ON	10x1G/2x1G SFP/2xPoE+ portovi	DPS-80AP/ DPS-24GP	E17W	E17W001
N1108EP-ON	8x1G PoE+/2x1G PD/2x1G SFP portovi	ADP-280BR	E48W	E48W001
N1124T-ON	24x1G/4x10G SFP+ portovi	DPS-40AP	E18W	E18W001
N1124P-ON	24x1G/4x10G SFP+/6xPoE+ portovi	EDPS-250BF	E18W	E18W001
N1148T-ON	48x1G/4x10G SFP+ portovi	DPS-60AP	E18W	E18W002
N1148P-ON	48x1G/4x10G SFP+/12xPoE+ portovi	YM-2501D	E18W	E18W002

# N1108T-ON/N1108P-ON/N1108EP-ON instalacija

## Postavljanje N1108T-ON/N1108P-ON komutatora uz korišćenje Dell dualnog ležišta

Konektor za napajanje naizmeničnom strujom se nalazi na zadnjoj ploči.

**!** **UPOZORENJE:** Pročitajte bezbednosne informacije u uputstvu *Bezbednosne i regulatorne informacije* kao i bezbednosne informacije za druge komutatore koji se priključuju na ili podržavaju komutator.

**!** **UPOZORENJE:** Nemojte da koristite komplete za montažu reka za kačenje komutatora ispod ploče ili stola ili za pričvršćivanje na zid.

**△** **OPREZ:** Pre nego što nastavite, odspojite sve kablove sa komutatora. Uklonite sve samolepljive podmetače ispod donjeg dela komutatora, ukoliko su podmetači postavljeni.

**△** **OPREZ:** Prilikom montaže više komutatora u rek, komutatore postavljajte od donjeg kraja prema gornjem kraju.

- 1 Osigurajte N1108T-ON/N1108P-ON komutator u Dell kompletu sa dva ležišta, kao što je prikazano u Slika 1-1.

Slika 1-1. Dell komplet sa dva ležišta



- 2 Umetnite komutator u rek od 48,26 cm (19 inča), pazeći da su montažni otvori za rek na kompletu poravnati sa montažnim otvorima na reku.

- 3 Fiksirajte komplet na rek pomoću zavrtnja na reku ili cilindričnim navrtkama i zavrtnjima za cilindrične navrtke sa podloškama (u zavisnosti od vrste reka koji imate). Pričvrstite zavrtnje na donjem delu pre nego što pričvrstite zavrtnje na gornjem delu.

## Postavljanje N1108T-ON/N1108P-ON/N1108EP-ON na dvostubni rek pomoću velikih L-profila

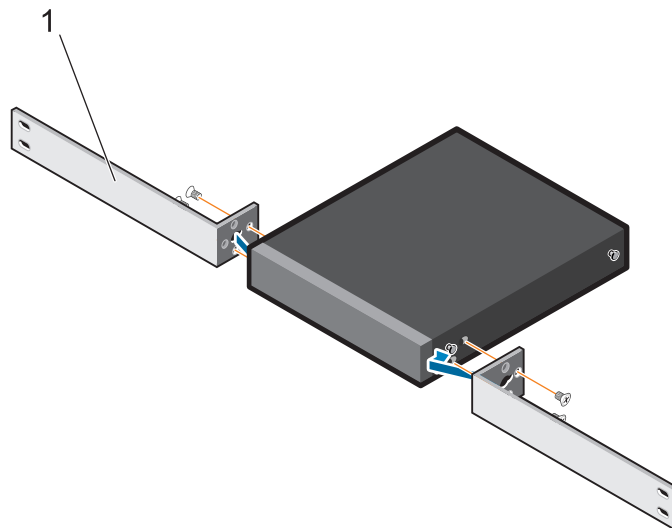
**NAPOMENA:** Konektor za napajanje naizmeničnom strujom se nalazi na zadnjoj ploči komutatora N1108T-ON/N1108P-ON. Konektor za napajanje jednosmernom strujom komutatora N1108EP-ON se nalazi na sredini zadnje ploče.

**NAPOMENA:** Komutator N1108EP-ON koristi eksterni adapter za napajanje. Ne postoji komplet za montiranje za eksterni adapter za napajanje za N1108EP-ON. Pri montiranju komutatora N1108EP-ON, eksterni adapter za napajanje postavite dalje od komutatora.

**OPREZ:** Pošto je N1108EP-ON komutator bez ventilatora, nemojte postavljati eksterni adapter za napajanje na komutator kako biste izbegli pregrevanje.

- 1 Postavite isporučeni montažni nosač reka na jednu stranu komutatora, pazeći da su montažni otvori na komutatoru poravnati sa montažnim otvorima na montažnom nosaču reka. Pogledajte stavku 1 u Slika 1-2.

Slika 1-2. Postavljanje pomoću kompleta sa velikim L-profilima

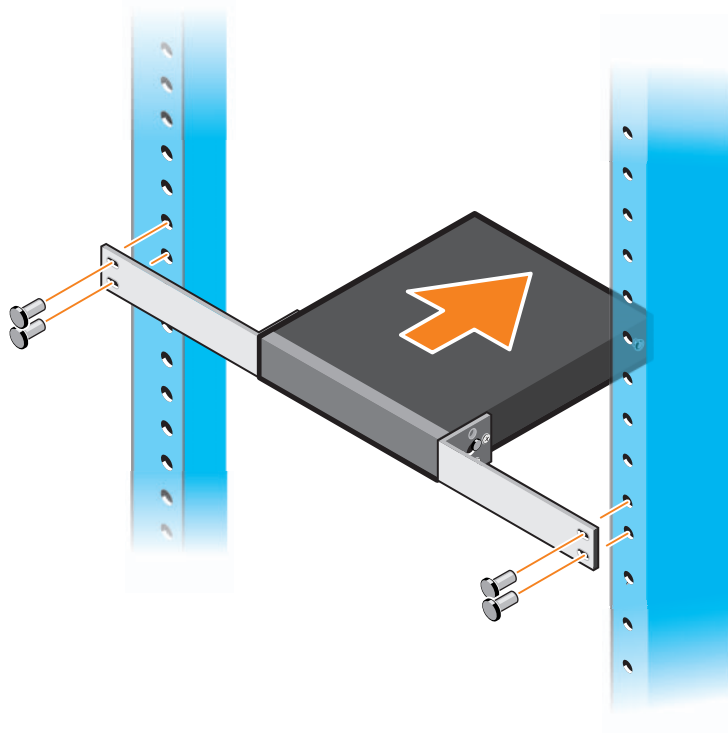


- 2 Umetnite isporučene zavrtnje u montažne otvore reka i pritegnite odvrtaćem.
- 3 Ponovite proces na zadnjoj strani komutatora.



- 4 Umetnite komutator i sklop šina u rek sa prednje strane. Proverite da su otvori za montiranje reka na komutatoru u ravni sa otvorima za montiranje na reku.
- 5 Pričvrstite komutator za rek pomoću zavrtnjeva za rek. Prvo zategnite donji par zavrtnjeva, pa tek onda gornji par zavrtnjeva. Pogledajte Slika 1-3.

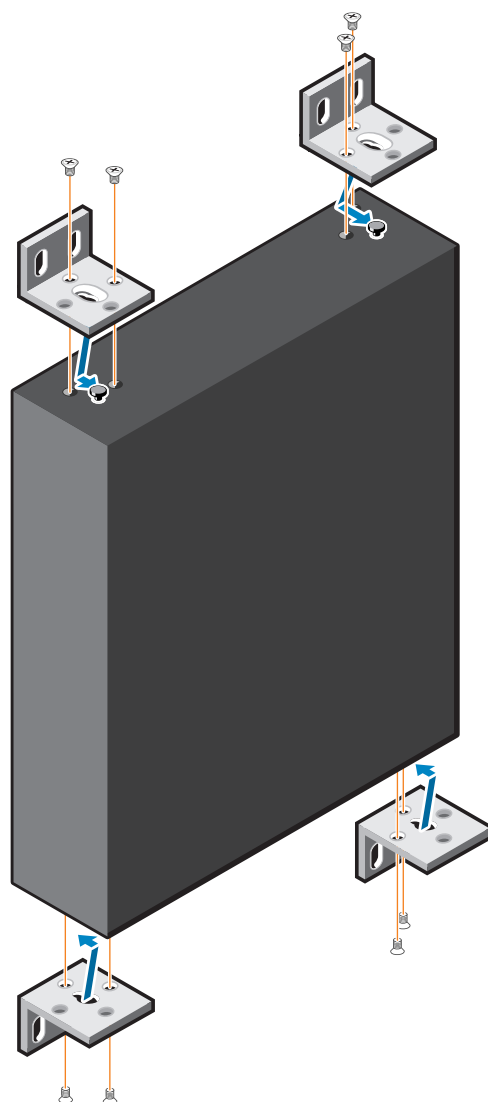
**Slika 1-3. Instalirajte na dvostubni rek pomoću L-profila**



## Postavite sve N11xx-ON komutator na zid

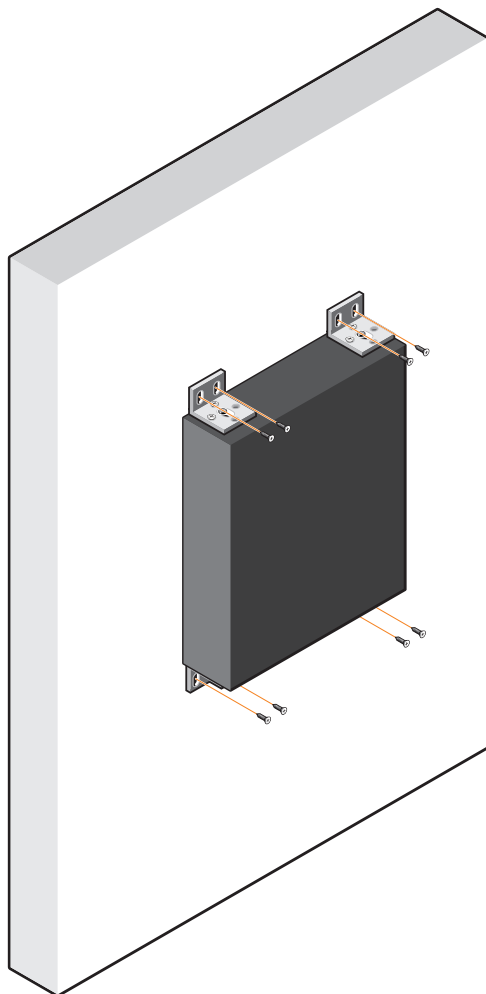
- 1 Proverite da li mesto za montažu ispunjava sledeće zahteve:
  - Površina zida može da izdrži komutator.
  - Lokacija mora imati odgovarajuću ventilaciju da bi se sprečilo zagrevanje uređaja.
- 2 Postavite isporučeni montažni nosač na jednu stranu komutatora, pazeći da su montažni otvori na komutatoru poravnati sa montažnim otvorima na montažnom nosaču.
- 3 Umetnite isporučene zavrtnje u otvore zidnog nosača i pritegnite odvrtajem. Pogledajte Slika 1-4.

**Slika 1-4. Umetanje zidnih nosača**



- 4** Ponovite proces za montažni nosač na drugoj strani komutatora.
- 5** Postavite komutator na zid na mesto gde treba da se montira.
- 6** Obeležite mesta na zidu na kojima treba da se pripreme zavrtnji koji će držati komutator.
- 7** Izbušite rupe na obeleženim mestima i osam držača koji su dostavljeni ubacite u rupe.
- 8** Umetnite isporučene zavrtnje u otvore zidnog nosača i pritegnite ih odvrtaćem. Pogledajte Slika 1-5.

Slika 1-5. Postavljanje na zid



# Instalacija N1124T-ON/N1124P-ON/ N1148T-ON/ N1148P-ON

## Montaža komutatora N1124T-ON/N1124P-ON/ N1148T-ON/ N1148P-ON u rek

**⚠ UPOZORENJE:** Pročitajte bezbednosne informacije u uputstvu *Bezbednosne i regulatorne informacije* kao i bezbednosne informacije za druge komutatore koji se priključuju na ili podržavaju komutator.

Konektor za napajanje naizmeničnom strujom nalazi se na zadnjoj ploči komutatora.

### Instaliranje u rek

**⚠ UPOZORENJE:** Nemojte da koristite komplete za montažu reka za kačenje komutatora ispod ploče ili stola ili za pričvršćivanje na zid.

**⚠ OPREZ:** Pre nego što nastavite, odspojite sve kablove sa komutatora. Uklonite sve samolepljive podmetače ispod donjeg dela komutatora, ukoliko su podmetači postavljeni.

**⚠ OPREZ:** Prilikom montaže više komutatora u rek, komutatore postavljajte od donjeg kraja prema gornjem kraju.

- 1** Postavite isporučeni montažni nosač reka na jednu stranu komutatora, pazeći da su montažni otvori na komutatoru poravnati sa montažnim otvorima na montažnom nosaču reka. Slika 1-6 prikazuje gde da montirate nosače.

Slika 1-6. Pričvršćivanje nosača



- 2 Umetnite isporučene zavrtnje u montažne otvore reka i pritegnite odvrtaćem.
- 3 Ponovite proces za montažni nosač reka na drugoj strani komutatora.
- 4 Umetnite komutator u rek od 48,26 cm (19 inča), pazeći da su montažni otvori za rek na kompletu poravnati sa montažnim otvorima na reku.
- 5 Fiksirajte nosač na rek pomoću zavrtnja na reku ili cilindričnim navrtkama i zavrtnjima za cilindrične navrtke sa podloškama (u zavisnosti od vrste reka koji imate). Pričvrstite zavrtnje na donjem delu pre nego što pričvrstite zavrtnje na gornjem delu.



**OPREZ:** Proverite da li isporučeni zavrtnji reka odgovaraju otvorima sa navojima na reku.



**NAPOMENA:** Proverite da li su ventilacioni otvori preprečeni.

## Instaliranje u formi samostalnog komutatora



**NAPOMENA:** Dell strogo preporučuje montiranje komutatora u rek.

Instalirajte komutator na ravnoj površini ako ga ne instalirate u rek. Površina mora biti u stanju da izdrži težinu komutatora i kablova komutatora. Komutator se isporučuje sa četiri samolepljiva gumena podmetača.

- 1 Pričvrstite samolepljive gumene podmetače na sva mesta označena na donjem delu komutatora.
- 2 Postavite komutator na ravnu površinu i vodite računa da ima dovoljno prostora za ventilaciju, što je oko 5 cm (2 inča) sa obe strane i 13 cm (5 inča) sa zadnje strane

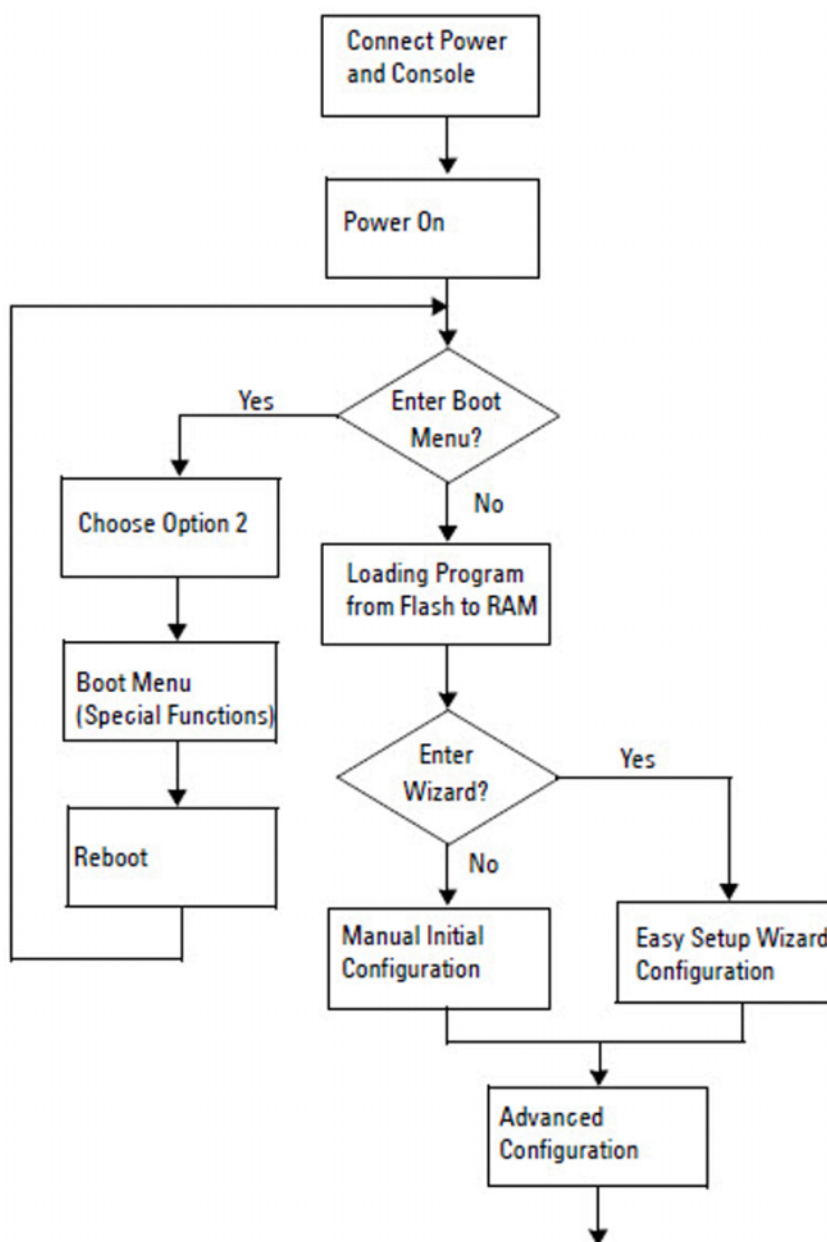
## Postavljanje više komutatora N1124T-ON/ N1124P-ON/N1148T-ON/ N1148P-ON u visinu

Komutatore N1124T-ON/N1124P-ON/N1148T-ON/ N1148P-ON možete slagati u visinu do maksimalno četiri komutatora pomoću 10G SFP+ portova na prednjem delu komutatora. Portovi moraju biti konfigurisani tako da podržavaju slaganje u visinu. Kada preko portova za slaganje povežete više komutatora, oni funkcionišu kao jedna jedinica sa do 208 portova na prednjoj ploči. Stek radi kao jedan uređaj i njime se upravlja na takav način. Više informacija potražite u dokumentima *Korisnički priručnik za konfiguraciju* i *CLI referentni priručnik*.

# Pokretanje i konfigurisanje Serija N1100-ON komutatora

Sledeći dijagram toka daje pregled koraka koje koristite za obavljanje početne konfiguracije nakon raspakovanja i montiranja komutatora.

Slika 1-7. Dijagram toka za instalaciju i konfiguraciju



# Povezivanje Serija N1100-ON komutatora na terminal

Nakon uspostavljanja svih spoljašnjih veza, obavite konfiguraciju komutatora povezujući ga na terminal.



**NAPOMENA:** Pre nego što nastavite, pročitajte Napomene o verziji za ovaj proizvod. Napomene o verziji možete preuzeti sa veb lokacije za podršku kompanije Dell na adresi [dell.com/support](http://dell.com/support).



**NAPOMENA:** Dell preporučuje da pribavite najnoviju verziju korisničke dokumentacije sa veb lokacije za podršku kompanije Dell na adresi [dell.com/support](http://dell.com/support).

Da biste pratili i konfigurisali komutator preko USB konzole, koristite konzolni port na prednjoj ploči komutatora da biste ga povezali sa računarom na kome je instaliran softver za emulaciju VT100 terminala pomoću isporučenog USB kabla. Možda će biti potrebno da pri prvoj upotrebi USB kabla preuzmete i instalirate upravljački program.

Za upotrebu konzolnog porta je potrebna sledeća oprema:

- Računar kompatibilan sa VT100 sa USB portom na kome je instaliran softver za emulaciju VT100 terminala, kao što je HyperTerminal® i USB upravljački program.
- Isporučeni USB kabl sa USB konektorom tipa B za konzolni port i USB konektor za host računar.

Da biste terminal povezali na konzolni port komutatora, obavite sledeće zadatke:

- 1** Povežite USB konektor tipa B na isporučeni komutator i povežite drugi kraj na računar na kome je instaliran softver za emulaciju VT100 terminala.
- 2** Konfigurirajte softver za emulaciju terminala na sledeći način:
  - a** Izaberite odgovarajući serijski port (na primer, COM 1) za povezivanje sa konzolom.
  - b** Podesite brzinu prenosa na 115.200 bauda.
  - c** Podesite format podataka na 8 data bits, 1 stop bit i no parity.
  - d** Podesite kontrolu protoka na none.
  - e** Podesite režim emulacije terminala na VT100.
  - f** Izaberite tastere terminala za tastere sa funkcijama, strelicama i Ctrl taster. Proverite da li je postavka za tastere terminala (ne Microsoft Windows tastere).

- 3 Povežite USB konektor tipa B na kablu direktno na konzolni port komutatora. Dell Networking konzolni port se nalazi na desnoj strani prednje ploče i označen je simbolom |O|O|.



**NAPOMENA:** Pristup konzole menadžeru steka je omogućen sa svakog konzolnog porta preko lokalnog CLI. Istovremeno je podržana samo jedna sesija USB konzole.

## Seriya N1100-ON Povezivanje komutatora na izvor napajanja



**OPREZ:** Pročitajte bezbednosne informacije u priručniku *Bezbednosne i regulatorne informacije* kao i bezbednosne informacije za druge komutatore koji se priključuju na ili podržavaju komutator.

Modeli N1108T-ON i N1108P-ON imaju jedno unutrašnje napajanje. Priključak za napajanje se nalazi na zadnjoj ploči. N1108EP-ON koristi eksterni adapter za napajanje jednosmernom strujom. Eksterni adapter za napajanje jednosmernom strujom

### Povezivanje naizmenične i jednosmerne struje

- 1 Proverite da li je konzolni port komutatora preko USB veze sa USB kablom tipa B povezan sa računarom na kome je instaliran emulator za VT100 terminal.
- 2 Koristeći standardni kabl za napajanje dužine 5 stopa (1,5 m) sa priključenim uzemljenjem, povežite kabl za napajanje na priključak za naizmeničnu struju mreže koji se nalazi na zadnjoj ploči.

Komutatori modela PoE imaju ojačan kabl za napajanje sa izrezanim konektorom za priključak za prekidačko napajanje. Upotreba ovog tipa kabla je obavezna za komutatore sa PoE funkcijom.

- 3 Priključite kabl za napajanje u uzemljenu utičnicu za naizmeničnu struju.



## Pokretanje Serija N1100-ON komutatora

Kada se napajanje uključi i lokalni terminal je već povezan, komutator prolazi kroz automatsko testiranje pri uključivanju računara (POST). POST se izvršava svaki put kada se komutator pokrene i proverava hardverske komponente kako bi se odredilo da li je komutator potpuno funkcionalan pre potpunog pokretanja sistema. Ako POST detektuje kritičan problem, program se zaustavlja. Ako POST uspešno prođe, važeći fabrički softver se učitava u RAM. POST poruke se prikazuju na terminalu i pokazuju da li je test uspešan ili neuspešan. Proces pokretanja sistema traje približno 60 sekundi.

Kada se prvi deo POST procedure završi, moći ćete da pozovete meni **Boot** (Pokretanje). Iz menija **Boot** (Pokretanje), možete da obavite zadatke konfiguracije kao što su resetovanje sistema na fabričke vrednosti, aktiviranje slike rezervne kopije ili oporavljanje lozinke. Dodatne informacije o funkcijama menija **Boot** (Pokretanje) potražite u dokumentu *CLI referentni priručnik*.

# Obavljanje Serija N1100-ON početne konfiguracije

Procedura početne konfiguracije je zasnovana na sledećim pretpostavkama:

- Dell Networking komutator ranije nikada nije bio konfigurisan.
- Sistem Dell Networking komutatora je uspešno pokrenut.
- Veza sa konzolom je uspostavljena i na ekranu računara na kome je instaliran softver za emulaciju terminala se prikazuje poruka **Dell čarobnjak za jednostavno podešavanje**.

Početna konfiguracija komutatora se obavlja preko konzolnog porta. Nakon početne konfiguracije, možete da upravljate komutatorom sa već povezanog konzolnog porta ili daljinski preko interfejsa definisanog tokom početne konfiguracije.



**NAPOMENA:** Komutator nije konfigurisan sa podrazumevanim korisničkim imenom, lozinkom ili IP adresom.

Pre podešavanja početne konfiguracije komutatora, prikupite sledeće informacije od svog administratora mreže:

- IP adresu koju treba dodeliti interfejsu za upravljanje.
- IP masku podmreže za mrežu.
- IP adresu podrazumevanog mrežnog prolaza interfejsa za upravljanje.

Ove postavke su neophodne kako bi se omogućilo daljinsko upravljanje komutatora preko opcije Telnet (Telnet klijent) ili HTTP (veb pregledač).

## Omogućavanje daljinskog upravljanja

Na Serija N1100-ON komutatorima možete da koristite bilo koji od portova komutatora na prednjoj ploči za upravljanje preko glavne mreže.

Podrazumevano su svi portovi glavne mreže članovi VLAN 1.

**Dell čarobnjak za jednostavno podešavanje** uključuje poruke za konfigurisanje mrežnih informacija za VLAN 1 interfejs na Serija N1100-ON komutatorima. Možete da dodelite statičku IP adresu i masku podmreže ili da omogućite DHCP i omogućite da mrežni DHCP server dodeli informacije.

U dokumentu *CLI referentni priručnik* potražite naredbe za konfigurisanje mrežnih informacija.

## Procedura početne konfiguracije

Obavite početnu konfiguraciju koristeći opciju **Dell čarobnjak za jednostavno podešavanje** ili koristeći CLI. Čarobnjak se automatski pokreće kada je konfiguraciona datoteka komutatora prazna. Izadite iz čarobnjaka u bilo kom trenutku pritiskom na tastere [ctrl+z], ali će se u tom slučaju sve zadate konfiguracione postavke poništiti i komutator će koristiti podrazumevane vrednosti.



**NAPOMENA:** Ako ne pokrenete **Dell čarobnjak za jednostavno podešavanje** ili ne odgovorite na početnu poruku čarobnjaka za jednostavno podešavanje u roku od 60 sekundi, komutator ulazi u CLI režim. Morate da resetujete komutator sa praznom konfiguracijom za pokretanje kako biste ponovo pokrenuli **Dell čarobnjak za jednostavno podešavanje**.

Dodatne informacije o obavljanju početne konfiguracije korišćenjem CLI potražite u dokumentu *CLI referentni priručnik*. U ovom dokumentu *Priručnik za početak rada* navodi se kako da koristite **Dell čarobnjak za jednostavno podešavanje** za početnu konfiguraciju komutatora. Čarobnjak podešava sledeće konfiguracije na komutatoru:

- Uspostavlja početni privilegovani korisnički nalog sa važećom lozinkom. Čarobnjak konfigurira jedan privilegovani korisnički nalog tokom podešavanja.
- Omogućava CLI prijavljivanje i HTTP pristup samo za korišćenje lokalnih postavki za potvrdu identiteta.
- Podešava IP adresu za VLAN 1 interfejs za usmeravanje ili koji su svi portovi glavne mreže članovi.
- Podešava SNMP zajedničku nisku kojeg će koristiti SNMP menadžer na zadatoj IP adresi. Preskočite ovaj korak ako se SNMP upravljanje ne koristi za ovaj komutator.
- Omogućava vam da zadate IP adresu sistema za upravljanje mrežom ili dozvolite pristup za upravljanje sa svih IP adresa.
- Konfigurira IP adresu podrazumevanog mrežnog prolaza za VLAN 1 interfejs.

## Primer sesije

U ovom odeljku je opisana sesija čarobnjaka **Dell** čarobnjak za jednostavno podešavanje. Primer sesije koristi sledeće vrednosti:

- SNMP zajednička niska koja treba da se koristi je **public**.
- IP adresa sistema za upravljanje mrežom (NMS) je **10.1.2.100**.
- Korisničko ime je **admin** a lozinka je **admin123**.
- IP adresa za VLAN 1 interfejs za usmeravanje je **10.1.1.200** sa maskom podmreže od **255.255.255.0**.
- Podrazumevani mrežni prolaz je **10.1.1.1**.

Čarobnjak za podešavanje konfigurira početne vrednosti na prethodno definisan način. Nakon što se čarobnjak zatvori, komutator se konfigurira na sledeći način:

- SNMPv2 je omogućen i zajednička niska se podešava na prethodno definisan način. SNMPv3 je podrazumevano onemogućen.
- Admin korisnički nalog je podešen kao što je definisano.
- Sistem za upravljanje mrežom je konfigurisan. Sa stanice za upravljanje možete da pristupite SNMP, HTTP i CLI interfejsima. Takođe, možete da izaberete da omogućite svim IP adresama da pristupaju ovim interfejsima za upravljanje izborom IP adrese (0.0.0.0).
- IP adresa se konfigurira za VLAN 1 uređaj za usmeravanje.
- Konfigurisana je podrazumevana adresa mrežnog prolaza.



**NAPOMENA:** U sledećem primeru, moguće korisničke opcije ili podrazumevane vrednosti su priložene u [ ]. Ako pritisnete <Enter> bez definisanih opcija, biće prihvaćena podrazumevana vrednost. Tekst za pomoć je između zagrada.

## Primer Dell čarobnjak za jednostavno podešavanje konzole

U sledećem primeru se navodi sekvenca poruka i odgovora povezanih sa pokretanjem primera **Dell čarobnjak za jednostavno podešavanje sesije**, uz korišćenje prethodno navedenih ulaznih vrednosti.

Nakon što komutator završi POST proceduru i pokrene svoj sistem, prikazuje se sledeći dijalog:

```
Unit 1 - Waiting to select management unit)>
```

```
_____Dell SupportAssist EULA_____
```

```
I accept the terms of the license agreement. You can
reject the license agreement by configuring this
command 'eula-consent support-assist reject'.
```

```
By installing SupportAssist, you allow Dell to save
your contact information (e.g. name, phone number
and/or email address) which would be used to provide
technical support for your Dell products and services
Dell may use the information for providing
recommendations to improve your IT infrastructure.
Dell SupportAssist also collects and stores machine
diagnostic information, which may include but is not
limited to configuration information, user supplied
contact information, names of data volumes, IP
addresses, access control lists, diagnostics &
performance information, network configuration
information, host/server configuration & performance
information and related data (Collected Data) and
transmits this information to Dell. By downloading
SupportAssist and agreeing to be bound by these terms
and the Dell end user license agreement, available at:
http://www.dell.com/aeula, you agree to allow Dell to
provide remote monitoring services of your IT
environment and you give Dell the right to collect the
Collected Data in accordance with Dell's Privacy
Policy, available at:
http://www.dell.com/privacypolicycountryspecific, in
order to enable the performance of all of the various
functions of SupportAssist during your entitlement to
```

receive related repair services from Dell. You further agree to allow Dell to transmit and store the Collected Data from SupportAssist in accordance with these terms. You agree that the provision of SupportAssist may involve international transfers of data from you to Dell and/or to Dell's affiliates, subcontractors or business partners. When making such transfers, Dell shall ensure appropriate protection is in place to safeguard the Collected Data being transferred in connection with SupportAssist. If you are downloading SupportAssist on behalf of a company or other legal entity, you are further certifying to Dell that you have appropriate authority to provide this consent on behalf of that entity. If you do not consent to the collection, transmission and/or use of the Collected Data, you may not download, install or otherwise use SupportAssist.

\_\_\_\_\_AeroHive HiveManager NG EULA\_\_\_\_\_

This switch includes a feature that enables it to work with HiveManager (an optional management suite), by sending the switch's service tag number and IP Address to HiveManager to authenticate your entitlement to use HiveManager. If you wish to disable this feature, you should run command 'eula-consent hiveagent reject' immediately upon powering up the switch for the first time, or at any time thereafter.

Applying Global configuration, please wait...

Welcome to Dell Easy Setup Wizard

The setup wizard guides you through the initial switch configuration, and gets you up and running as quickly as possible. You can skip the setup wizard, and enter CLI mode to manually configure the switch. You must respond to the next question to run the setup wizard within 60 seconds, otherwise the system will continue

with normal operation using the default system configuration. Note: You can exit the setup wizard at any point by entering [ctrl+z].

Would you like to run the setup wizard (you must answer this question within 60 seconds)? [Y/N] **y**

Step 1:

The system is not set up for SNMP management by default. To manage the switch using SNMP (required for Dell Network Manager) you can

- . Set up the initial SNMP version 2 account now.
- . Return later and set up other SNMP accounts. (For more information on setting up an SNMP version 1 or 3 account, see the user documentation).

Would you like to set up the SNMP management interface now? [Y/N] **y**

To set up the SNMP management account you must specify the management system IP address and the "community string" or password that the particular management system uses to access the switch. The wizard automatically assigns the highest access level [Privilege Level 15] to this account. You can use Dell Network Manager or other management interfaces to change this setting, and to add additional management system information later. For more information on adding management systems, see the user documentation.

To add a management station:

Please enter the SNMP community string to be used.

[public]: **public**



**NAPOMENA:** Ako je konfigurisan, podrazumevani nivo pristupa je postavljen na najviši dostupan pristup za SNMP interfejs za upravljanje. Prvobitno se aktivira samo SNMPv2. SNMPv3 je onemogućen dok ne vratite na konfiguraciju bezbednosnog pristupa za SNMPv3 (npr. ID programa, prikaz itd.).

Please enter the IP address of the Management System (A.B.C.D) or wildcard (0.0.0.0) to manage from any Management Station. [0.0.0.0]: **10.1.2.100**

## Step 2:

Now we need to set up your initial privilege (Level 15) user account. This account is used to login to the CLI and Web interface. You may set up other accounts and change privilege levels later. For more information on setting up user accounts and changing privilege levels, see the user documentation.

To set up a user account:

```
Please enter the user name. [root]:admin
Please enter the user password: *****
Please reenter the user password: *****
```

## Step 3:

Next, an IP address is set up on the VLAN 1 routing interface.

You can use the IP address to access the CLI, Web interface, or SNMP interface of the switch.

To access the switch through any Management Interface you can

- . Set up the IP address for the Management Interface.
- . Set up the default gateway if IP address is manually configured on the routing interface.

## Step 4:

Would you like to set up the VLAN1 routing interface now? [Y/N] **y**

```
Please enter the IP address of the device (A.B.C.D) or
enter "DHCP" (without the quotes) to automatically
request an IP address from the network DHCP server:
10.1.1.200
```

```
Please enter the IP subnet mask (A.B.C.D or /nn):
255.255.255.0
```

## Step 5:



Finally, set up the default gateway. Please enter the IP address of the gateway from which this network is reachable. [0.0.0.0]: **10.1.1.1**

This is the configuration information that has been collected:

```
SNMP Interface = "public"@10.1.2.100
User Account setup = admin
Password = *****
VLAN1 Router Interface IP = 10.1.1.200 255.255.255.0
Default Gateway = 10.1.1.1
```

Step 6:

If the information is correct, please enter (Y) to save the configuration and copy the settings to the start-up configuration file. If the information is incorrect, enter (N) to discard the configuration and restart the wizard: [Y/N] **y**

Thank you for using the Dell Easy Setup Wizard. You will now enter CLI mode.

Applying Interface configuration, please wait...

## Sledeći koraci

Nakon završetka početne konfiguracije opisane u ovom odeljku, povežite bilo koji od portova komutatora na prednjoj ploči na proizvodnu mrežu za daljinsko upravljanje preko glavne mreže.

Ako ste naveli DHCP za IP adresu VLAN 1 interfejsa za upravljanje, interfejs će pribaviti svoju IP adresu sa DHCP server na mreži. Da biste otkrili dinamički dodeljenu IP adresu, koristite vezu sa konzolnim portom da biste aktivirali sledeću naredbu:

- Za VLAN 1 interfejs za usmeravanje, unesite **show ip interface**.

Da biste pristupili Dell OpenManage interfejsu administratora komutatora, unesite IP adresu VLAN 1 interfejsa za upravljanje u adresno polje veb pregledača. Da biste pristupili CLI radi daljinskog upravljanja, unesite IP adresu VLAN 1 interfejsa za upravljanje u Telnet ili SSH klijenta. Alternativno, nastavite da koristite konzolni port za lokalni CLI pristup komutatoru.

Seriya N1100-ON komutatori podržavaju osnovne funkcije komutacije kao što su VLAN i protokoli razapinjućeg stabla. Koristite veb interfejs za upravljanje ili CLI da biste konfigurisali funkcije koje su potrebne vašoj mreži. Informacije o tome kako da konfigurirate funkcije komutatora potražite u dokumentima *Korisnički priručnik za konfiguraciju* ili *CLI referentni priručnik* koji se nalaze na lokaciji za podršku: [dell.com/support](http://dell.com/support).

# Usklađenost sa smernicama agencije

Komutatori N1108T-ON, N1108P-ON, N1108EP-ON, N1124T-ON, N1124P-ON, N1148T-ON, i N1148P-ON su usklađeni sa sledećim bezbednosnim zahtevima i zahtevima agencija:

## Izjava o usklađenosti sa EMC direktivom Evropske unije

Ovaj proizvod je usklađen sa bezbednosnim uslovima Direktive 2004/30/EC saveta Evropske unije o usklađivanju zakona država članica u pogledu elektromagnetne kompatibilnosti. Dell EMC ne može da preuzme odgovornost za neusklađenost sa bezbednosnim uslovima koja nastaje kao rezultat izmena proizvoda koje se ne preporučuju, uključujući korišćenje kartica koje nisu Dell EMC.

Ovaj proizvod je testiran i potvrđena je usklađenost sa ograničenjima opreme informacionih tehnologija klase A u skladu sa CISPR 32/CISPR34 i EN55032/EN55034. Ograničenja opreme klase A osmišljena su za komercijalne i industrijske sredine radi pružanja razumne zaštite od smetnji na licenciranoj opremi za komunikaciju.

**UPOZORENJE: Ovo je proizvod klase A. Upotreba ove opreme u stambenim područjima može dovesti do radiofrekventnih smetnji i u tom slučaju korisnik mora da preduzme adekvatne protivmere.**

Kontakt Evropske zajednice

Dell EMC, EMEA – centrala

Dahlienweg 19

66265 Heusweiler

Nemačka

Tel: +49 172 6802630

E-pošta: EMEA centar za prodaju

## Indijski sertifikat usklađenosti

Ovaj proizvod je usklađen sa relevantnim propisima *Osnovnih zahteva Centra za tekelomunikacioni inženjering (TEC)*.

## Bezbednosni standardi i sertifikati za usklađenost sa smernicama agencije

- IEC 62368-1, 2. verzija
- CUS UL 60950-1, 2. verzija
  - Zadovoljava ili prevazilazi Hi Pot i uzemljenog testiranja kontinuiteta prema UL 60950-1.
- AS/NZS 60950
- CSA 60950-1-03, 2. verzija
- EN 60950-1, 2. verzija
- EN 60825-1, 1. verzija
- EN 60825-1 bezbednost laserskih proizvoda—1. deo: Uslovi za klasifikaciju opreme i uputstvo za upotrebu
- EN 60825-2 bezbednost laserskih proizvoda—2. deo: Komunikacioni sistemi sa optičkim vlaknima
- FDA propis 21CFR 1040.10 i 1040.11
- IEC 60950-1, 2. verzija, uključujući odstupanja za pojedinačne države i razlike među grupama

## Elektromagnetna kompatibilnost

### Emisije

- Međunarodno: CISPR32: klasa A
- Australija/Novi Zeland: AS/NZS CISPR 32, klasa A
- Kanada: ICES-003, Issue-4, klasa A
- Evropa: EN55032 2015 (CISPR 32), klasa A
- EN55032
- Japan: VCCI, klasa A
- Koreja: KN32, klasa A
- Tajvan: CNS13438, klasa A
- SAD: FCC CFR47 Deo 15, Poddeo B, klasa A

## Imunitet

- EN 300 386 EMC za mrežnu opremu
- EN 55024
- EN 61000-3-2 emisije harmonične struje
- EN 61000-3-3 padovi napona i treperenje
- EN 61000-4-2 ESD
- EN 61000-4-3 Imunitet za ometanje radio talasa
- EN 61000-4-4 EFT
- EN 61000-4-5 prenapon
- EN 61000-4-6 Imunitet za sprovođenje niske frekvencije

## Recikliranje i odlaganje proizvoda

Sistem morate da reciklirate ili odložite u skladu sa primenjivim lokalnim ili nacionalnim regulativama. Dell EMC poziva vlasnike opreme informacione tehnologije (IT) da odgovorno recikliraju svoju opremu kada im više ne bude potrebna. Dell EMC nudi raznovrsne programe za vraćanje proizvoda i usluge u raznim zemljama radi pružanja pomoći vlasnicima opreme pri recikliranju IT proizvoda.

## Direktiva o otpadu od električne i elektronske opreme (WEEE) za vraćanje, recikliranje i ponovno korišćenje IT i telekomunikacionih proizvoda

Dell EMC komutatori su označeni u skladu sa Evropskom direktivom 2002/96/EC o otpadu od električne i elektronske opreme (WEEE). Direktiva utvrđuje okvir za vraćanje i recikliranje korišćenih uređaja u skladu sa propisima širom Evropske unije. Ova oznaka se primenjuje na razne proizvode da bi se označilo da proizvod ne treba da se baca, već se vraća na kraju korišćenja u skladu sa direktivom.

**Slika 1-8. Evropski WEEE simbol**



U skladu sa evropskom WEEE direktivom, električna i elektronska oprema (EEE) treba da se prikupi pojedinačno radi ponovnog korišćenja, recikliranja ili vraćanja na kraju korišćenja. Korisnici EEE sa oznakom WEEE u skladu sa aneksom IV WEEE direktive, kao što je prikazano iznad, ne smeju da odlažu EEE koji se više ne koristi kao kućni otpad, već treba da koriste utvrđen okvir o odlaganju koji je dostupan klijentima radi vraćanja, recikliranja i ponovnog korišćenja WEE. Saradnja klijenata je važna da bi se potencijalni efekti EEE na životnu sredinu i zdravlje ljudi sveli na minimum usled potencijalnog prisustva opasnih supstanci u EEE.

Dell EMC proizvodi, koji pripadaju opsegu WEEE, označeni su simbolom precrtane kanta za otpatke, kao što je prikazano iznad, u skladu sa WEEE.

Da biste saznali više i ponudama Dell EMC za recikliranje proizvoda, pogledajte WEEE uputstva za recikliranje na stranici Podrška. Za više informacija kontaktirajte Dell EMC centar za tehničku pomoć.



Conmutadores de Dell  
Conmutadores N1108T-0N/  
N1108P-0N/N1108EP-0N/  
N1124T-0N/N1124P-0N/  
N1148T-0N/N1148P-0N

## Guía de introducción





# Notas, precauciones y avisos



**NOTA:** Una NOTA le indica que hay información importante que le ayuda a hacer un mejor uso de su producto.



**PRECAUCIÓN:** Una **ADVERTENCIA** indica un potencial daño al hardware o pérdida de datos y le informa cómo evitar el problema.



**AVISO:** Una señal de **PRECAUCIÓN** indica la posibilidad de sufrir daño a la propiedad, heridas personales o la muerte.



## **Precaución sobre la batería de litio:**

- Existe el peligro de explosión si una batería se reemplaza de forma incorrecta. Reemplácela únicamente por otra del mismo tipo o de un tipo equivalente. Deseche las baterías según las instrucciones del fabricante.
- Desechar una batería al fuego o a un horno caliente, aplastarla mecánicamente o destruirla puede generar una explosión.
- Dejar una batería en un ambiente donde la temperatura sea extremadamente elevada puede ocasionar una fuga de líquido inflamable o gas, o bien una explosión.
- Si una batería es expuesta a una presión de aire extremadamente baja, esto puede ocasionar una fuga de líquido inflamable o gas, o bien una explosión.
- El dispositivo solo se puede utilizar en una ubicación fija como, por ejemplo, un laboratorio o una sala de máquinas. Cuando instale el dispositivo, asegúrese de que la conexión a tierra de protección del enchufe o de la toma sea verificada por una persona capacitada.

---

© 2019 Dell Inc. o de sus filiales. Todos los derechos reservados. Este producto está protegido por patentes de EE. UU. y por las leyes de propiedad intelectual y de copyright internacionales. Dell y el logotipo de Dell son marcas comerciales de Dell Inc. en Estados Unidos u otras jurisdicciones. Todas las demás marcas y nombres mencionados en este documento pueden ser marcas registradas de sus respectivas empresas.

Modelos regulatorios: E17W y E18W

Mayo de 2019 N/P Y7208 Rev. A01

# Contenido

1	Introducción . . . . .	163
	<b>N1100-ON Series Descripción general del hardware. . . . .</b>	<b>163</b>
	Consumo de energía para conmutadores PoE N1100-ON Series . . . . .	163
	Sistema de ventilación . . . . .	165
	<b>Resumen del modelo N1100-ON Series . . . . .</b>	<b>165</b>
2	N1108T-ON/N1108P-ON/Instalación de N1108EP-ON . . . . .	166
	<b>Montaje de un switch N1108T-ON/N1108P-ON mediante la bandeja de tándem de Dell . . . . .</b>	<b>166</b>
	<b>Montaje de un N1108T-ON/N1108P-ON/N1108EP-ON en un rack de dos postes con soportes L grandes . . . . .</b>	<b>167</b>
	<b>Montaje de todos los switches N11xx-ON en pared . . . . .</b>	<b>168</b>
3	Instalación de N1124T-ON/N1124P-ON/N1148T-ON/N1148P-ON . . . . .	171
	<b>Montaje en bastidor de un conmutador N1124T-ON/N1124P-ON/ N1148T-ON/ N1148P-ON . . . . .</b>	<b>171</b>
	Instalación en bastidor . . . . .	171
	Instalación como conmutador independiente . . . . .	172
	<b>Apilamiento de varios conmutadores N1124T-ON/N1124P-ON/ N1148T-ON/ N1148P-ON . . . . .</b>	<b>172</b>

4	Inicio y configuración del conmutador N1100-ON Series . . . . .	173
	<b>Conexión de un conmutador N1100-ON Series a un terminal . . . . .</b>	<b>174</b>
	<b>N1100-ON Series Conexión de un conmutador a una fuente de alimentación . . . . .</b>	<b>175</b>
	Conexión de la alimentación CA y CC . . . . .	175
	<b>Inicio del conmutador N1100-ON Series . . . . .</b>	<b>176</b>
	<b>Cómo realizar la configuración inicial de N1100-ON Series . . . . .</b>	<b>177</b>
	Activación de la administración remota . . . . .	177
	Procedimiento para la configuración inicial . . . . .	178
	Ejemplo de sesión. . . . .	179
	Ejemplo de consola <b>Asistente de configuración rápida de Dell . . . . .</b>	<b>180</b>
	Próximos pasos:. . . . .	184
5	Cumplimiento de normas de agencia . . . . .	186

# Introducción

Este documento proporciona información básica acerca de los conmutadores Conmutadores de Dell N1100-ON Series, incluyendo cómo instalar el conmutador y realizar la configuración inicial. Para obtener información acerca de cómo configurar y supervisar las características del conmutador, consulte la *Guía de configuración* del usuario, que está disponible en el sitio web de asistencia de Dell en [dell.com/support](http://dell.com/support). Consulte el sitio web de asistencia técnica para obtener las últimas actualizaciones sobre documentación y firmware.



**NOTA:** Se recomienda encarecidamente a los administradores del conmutador que mantengan los conmutadores Conmutadores de Dell actualizados con la versión más reciente del sistema operativo Conmutadores de Dell (DNOS). Conmutadores de Dell mejora constantemente las características y funciones de DNOS basándose en las opiniones de los clientes. Para la infraestructura crítica, se recomienda una puesta en marcha de la nueva versión en una parte no crítica de la red para así verificar la configuración y el funcionamiento de la red con la nueva versión DNOS.

## N1100-ON Series Descripción general del hardware

Esta sección contiene información sobre las características del dispositivo y las configuraciones de hardware para el conmutador Conmutadores de Dell N1100-ON Series.

**NOTA:** El switch N1108EP-ON usa un adaptador de alimentación externo. No hay ningún kit de montaje disponible para el adaptador de alimentación externo N1108EP-ON. Cuando instale el N1108EP-ON, coloque el adaptador de alimentación externo lejos del switch.

### Consumo de energía para conmutadores PoE N1100-ON Series

Tabla 1-1 describe el consumo de alimentación de los conmutadores PoE N1100-ON Series. La alimentación que pueden utilizar los PoE es de 60 W para el N1108P-ON, 123 W para el N1108EP-ON, 185 W para el N1124P-ON y 370 W para el N1148P-ON.

**Tabla 1-1. Consumo de energía para conmutadores PoE N1100-ON Series**

<b>Modelo</b>	<b>Voltaje de entrada</b>	<b>Configuración de la fuente de alimentación</b>	<b>Consumo de corriente fijo máximo (A)</b>	<b>Potencia fija máxima (W)</b>
N1108P-ON	100 V/60 Hz	PSU principal	0,95 A	88,64 W
	110 V/60 Hz	PSU principal	0,87 A	88,43 W
	120 V/60 Hz	PSU principal	0,80 A	88,22 W
	220 V/50 Hz	PSU principal	0,49 A	89,28 W
	240 V/50 Hz	PSU principal	0,45 A	89,70 W
N1108EP-ON	100 V/60 Hz	Adaptador de alimentación externo de 54 V de CC	1,62 A	157 W
	110 V/60 Hz	Adaptador de alimentación externo de 54 V de CC	1,47 A	157 W
	120 V/60 Hz	Adaptador de alimentación externo de 54 V de CC	1,35 A	157 W
	220 V/50 Hz	Adaptador de alimentación externo de 54 V de CC	0,74 A	157 W
	240 V/50 Hz	Adaptador de alimentación externo de 54 V de CC	0,67 A	157 W
N1124P-ON	100 V/60 Hz	PSU principal	2,66 A	260,66 W
	110 V/60 Hz	PSU principal	2,38 A	257,95 W
	120 V/60 Hz	PSU principal	2,16 A	256,27 W
	220 V/50 Hz	PSU principal	1,18 A	250,52 W
	240 V/50 Hz	PSU principal	1,10 A	251,25 W
N1148P-ON	100 V/60 Hz	PSU principal	4,78 A	476,03 W
	110 V/60 Hz	PSU principal	4,32 A	472,64 W
	120 V/60 Hz	PSU principal	3,95 A	470,58 W
	220 V/50 Hz	PSU principal	2,14 A	459,37 W
	240 V/50 Hz	PSU principal	1,97 A	459,06 W

## Sistema de ventilación

Un ventilador enfría los conmutadores N1108T-ON/N1108P-ON, y dos ventiladores enfrían los conmutadores N1024T-ON/N1024P-ON/N1048T-ON/N1048P-ON. Los ventiladores no son sustituibles en campo. N1108EP-ON es un switch sin ventilador.

## Resumen del modelo N1100-ON Series

**Tabla 1-2. Números reglamentarios del conmutador N1100-ON Series**

<b>Nombre del modelo de marketing (MMN)</b>	<b>Descripción</b>	<b>Unidad de fuente de alimentación (PSU)</b>	<b>Número de modelo reglamentario (RMN)</b>	<b>Número de tipo reglamentario (RTN)</b>
N1108T-ON	Puertos 10x1G/2x1G SFP	DPS-24GP	E17W	E17W001
N1108P-ON	Puertos 10x1G/2x1G SFP/2xPoE+	DPS-80AP/ DPS-24GP	E17W	E17W001
N1108EP-ON	Puertos PoE+ 8x1G/PD 2x1G/ SFP 2x1G	ADP-280BR	E48W	E48W001
N1124T-ON	Puertos 24x1G/4x10G SFP+	DPS-40AP	E18W	E18W001
N1124P-ON	Puertos 24x1G/4x10G SFP+/6xPoE+	EDPS-250BF	E18W	E18W001
N1148T-ON	Puertos 48x1G/4x10G SFP+	DPS 60AP	E18W	E18W002
N1148P-ON	Puerto 48x1G/4x10G SFP+/12xPoE+	YM-2501D	E18W	E18W002

# N1108T-ON/N1108P-ON/Instalación de N1108EP-ON

## Montaje de un switch N1108T-ON/N1108P-ON mediante la bandeja de tándem de Dell

El conector de alimentación de CA se encuentra en el panel posterior.

**⚠ AVISO:** Lea la información de seguridad en *Información reglamentaria y de seguridad*, así como la información de seguridad para otros conmutadores que se conectan al conmutador o que son compatibles con este.

**⚠ AVISO:** No utilice los kits de montaje en bastidor para suspender el conmutador de una mesa o un escritorio, ni para fijarlo a la pared.

**⚠ PRECAUCIÓN:** Desconecte todos los cables del conmutador antes de continuar. Extraiga las almohadillas autoadhesivas de la parte inferior del conmutador, si se han colocado.

**⚠ PRECAUCIÓN:** Cuando monte varios conmutadores en un bastidor, empiece desde abajo.

- 1 Fije el switch N1108T-ON/N1108P-ON en el kit de bandeja de tándem de Dell, como se muestra en Figura 1-1.

Figura 1-1. Kit de bandeja Tandem Dell



- 2 Inserte el conmutador en el bastidor de 48,26 cm (19 pulg.), asegurándose de que los orificios de montaje del bastidor en el kit coinciden con los orificios de montaje en el bastidor.

- 3 Fije el kit en el bastidor con los pernos o bien con las tuercas prisioneras y sus pernos y arandelas (según el tipo de bastidor de que disponga). Apriete los pernos en la parte inferior y después apriete los pernos en la parte superior.

## Montaje de un N1108T-ON/N1108P-ON/N1108EP-ON en un rack de dos postes con soportes L grandes

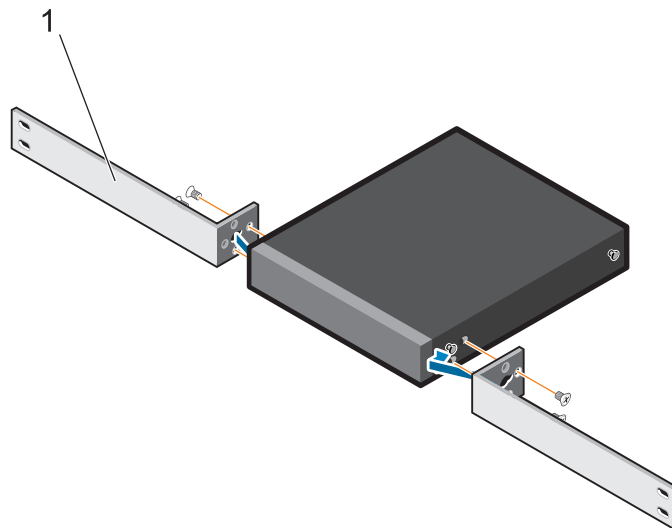
**NOTA:** El conector de alimentación de CA se encuentra en el panel posterior de los switches N1108T-ON/N1108P-ON. El conector de alimentación de CC para el N1108EP-ON se encuentra en el centro del panel posterior.

**NOTA:** El switch N1108EP-ON usa un adaptador de alimentación externo. No hay ningún kit de montaje disponible para el adaptador de alimentación externo N1108EP-ON. Cuando instale el N1108EP-ON, coloque el adaptador de alimentación externo lejos del switch.

**PRECAUCIÓN:** Como el N1108EP-ON es un switch sin ventiladores, para evitar el sobrecalentamiento, no coloque el adaptador de alimentación externo en la parte superior del switch.

- 1 Coloque el soporte de montaje en rack enviado en un lateral del switch y asegúrese de que los orificios de montaje del switch coincidan con los orificios de montaje del soporte de montaje en rack. Consulte el ítem 1 en Figura 1-2.

**Figura 1-2. Instalación mediante el kit de soporte L grande**

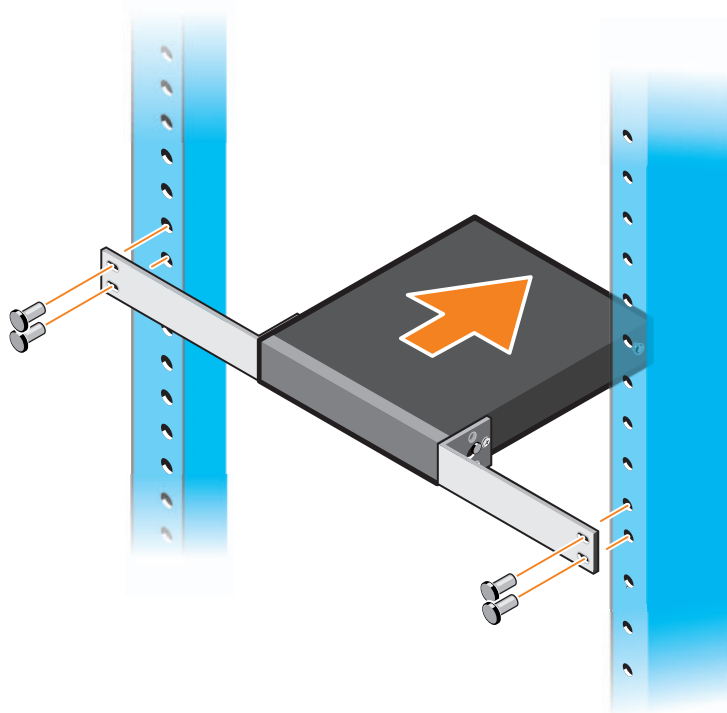


- 2 Inserte los tornillos enviados en los orificios de montaje en rack y ajústelos con un destornillador.
- 3 Repita el proceso del otro lado del switch.



- 4 Inserte el ensamblaje de rieles y el switch en el rack desde la parte frontal del rack. Asegúrese de que los orificios de montaje en rack en el switch se alineen con los orificios de montaje del rack.
- 5 Fije el switch al rack mediante los tornillos. Ajuste el par de tornillos de la parte inferior antes de ajustar el de la parte superior. Consulte el apartado Figura 1-3.

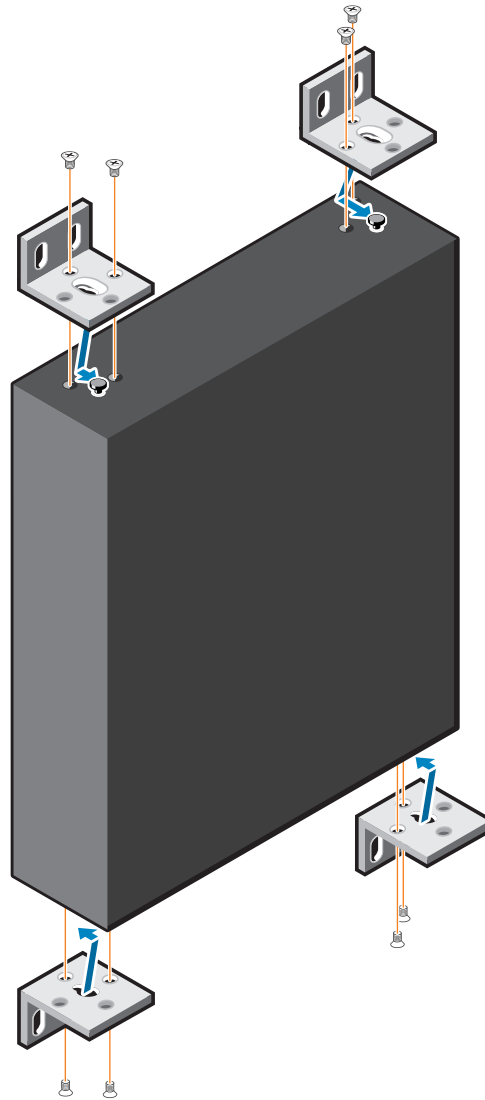
**Figura 1-3. Instale en un rack de dos postes con soporte L**



## Montaje de todos los switches N11xx-ON en pared

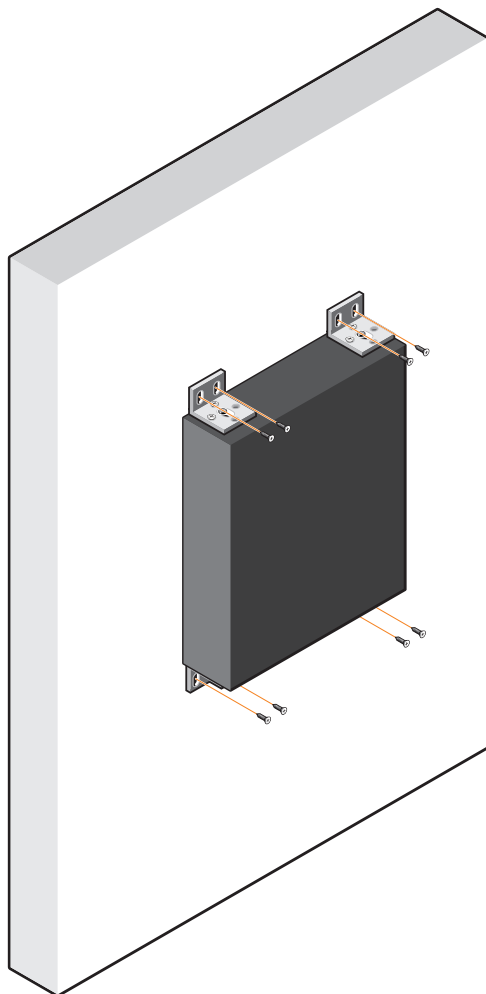
- 1 Asegúrese de que la ubicación de montaje cumpla con los requisitos siguientes:
  - La superficie de la pared puede soportar el peso del switch.
  - La ubicación está bien ventilada para evitar la acumulación de calor.
- 2 Coloque el soporte de montaje en pared suministrado en un lateral del conmutador y verifique que los orificios de montaje del conmutador coincidan con los orificios de montaje del soporte de montaje en pared.
- 3 Inserte los tornillos enviados en los orificios del soporte de montaje en pared y ajústelos con un destornillador. Consulte el apartado Figura 1-4.

**Figura 1-4. Inserción de los soportes de montaje**



- 4** Repita el proceso con el soporte de montaje en pared del otro lado del conmutador.
- 5** Coloque el conmutador en la pared en la ubicación donde se instalará el conmutador.
- 6** En la pared, marque las posiciones donde deberán ir los tornillos para sujetar el switch.
- 7** En las posiciones marcadas, taladre los orificios y coloque los ocho puntos de ancla enviados en los orificios.
- 8** Inserte los tornillos enviados en los orificios del soporte de montaje en pared y ajústelos con un destornillador. Consulte el apartado Figura 1-5.

**Figura 1-5. Montaje en pared**



# Instalación de N1124T-0N/N1124P-0N/N1148T-0N/ N1148P-0N

## Montaje en bastidor de un conmutador N1124T-0N/ N1124P-0N/ N1148T-0N/ N1148P-0N

**⚠ AVISO:** Lea la información de seguridad en *Información reglamentaria y de seguridad*, así como la información de seguridad para otros conmutadores que se conectan al conmutador o que son compatibles con este.

El conector de alimentación de CA se encuentra en el lado del conmutador.

### Instalación en bastidor

**⚠ AVISO:** No utilice los kits de montaje en bastidor para suspender el conmutador de una mesa o un escritorio, ni para fijarlo a la pared.

**⚠ PRECAUCIÓN:** Desconecte todos los cables del conmutador antes de continuar. Extraiga las almohadillas autoadhesivas de la parte inferior del conmutador, si se han colocado.

**⚠ PRECAUCIÓN:** Cuando monte varios conmutadores en un bastidor, empiece desde abajo.

- 1 Coloque el soporte de montaje en bastidor suministrado en un lateral del conmutador y asegúrese de que los orificios de montaje del conmutador coinciden con los orificios de montaje del soporte de montaje en bastidor. Figura 1-6 muestra dónde deben montarse los soportes.

**Figura 1-6. Fijación de los soportes**



- 2 Inserte los pernos suministrados en los orificios de montaje en bastidor y apriételes con un destornillador.
- 3 Repita el proceso con el soporte de montaje en bastidor del otro lado del conmutador.
- 4 Inserte el conmutador en el bastidor de 48,26 cm (19 pulg.), asegurándose de que los orificios de montaje en bastidor del soporte están alineados con los orificios de montaje del bastidor.
- 5 Fije el soporte en el bastidor con los pernos o con las tuercas prisioneras, sus pernos y arandelas (según el tipo de bastidor del que disponga). Apriete los pernos en la parte inferior y después apriete los pernos en la parte superior.

 **PRECAUCIÓN:** Asegúrese de que los pernos del bastidor incluidos son los adecuados para los orificios del bastidor.

 **NOTA:** Asegúrese de que los orificios de ventilación no están obstruidos.

### **Instalación como conmutador independiente**

 **NOTA:** Dell recomienda encarecidamente montar el conmutador en un bastidor.

Coloque el conmutador en una superficie plana si no va a instalarlo en un bastidor. La superficie debe poder soportar el peso del conmutador y de sus cables. El conmutador incluye cuatro almohadillas de goma autoadhesivas.

- 1 Fije las almohadillas de goma autoadhesivas en cada una de las zonas marcadas de la parte inferior del conmutador.
- 2 Coloque el conmutador en una superficie plana y asegúrese de que disponga de la ventilación correcta; dejando 5 cm (2 pulgadas) a cada lado y 13 cm (5 pulgadas) en la parte posterior.

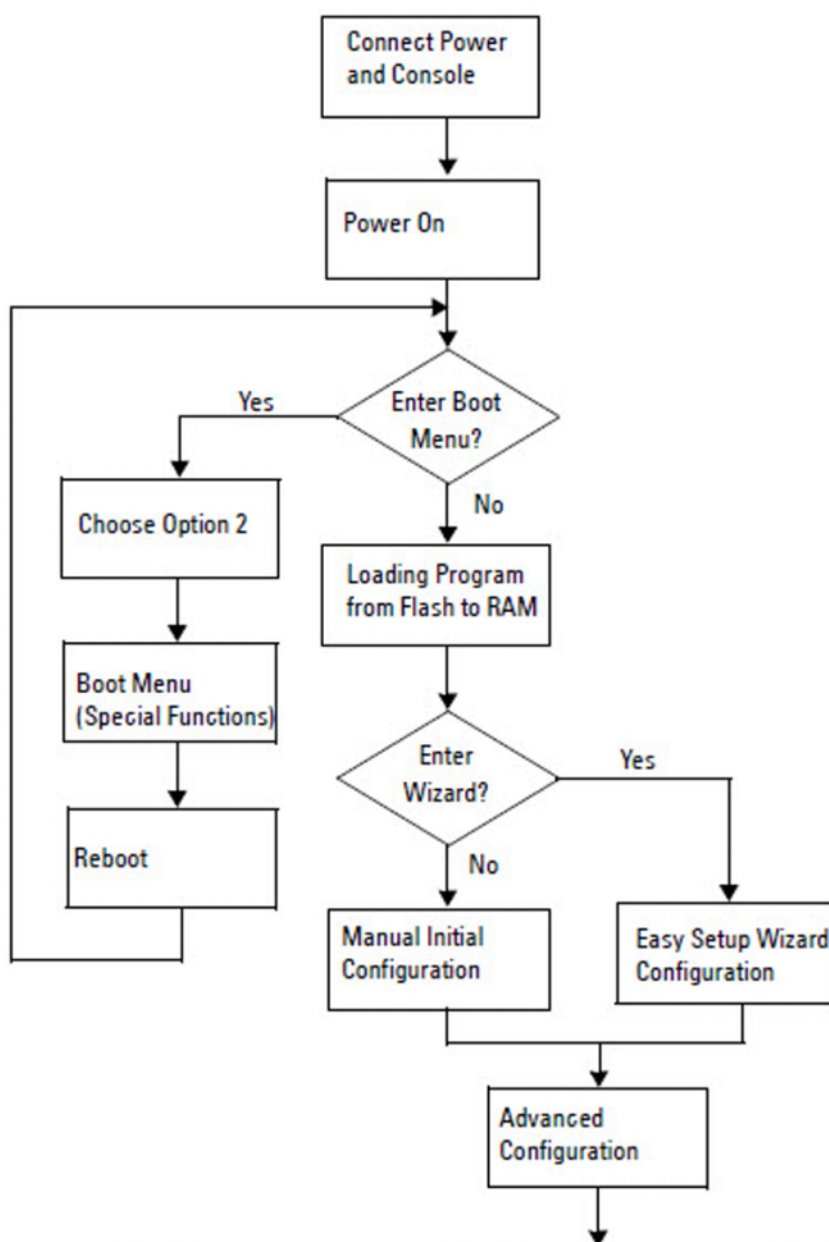
## **Apilamiento de varios conmutadores N1124T-ON/ N1124P-ON/ N1148T-ON/ N1148P-ON**

Puede apilar hasta cuatro conmutadores N1124T-ON/N1124P-ON/N1148T-ON/ N1148P-ON mediante puertos 10G SFP+ en la parte frontal del conmutador. Los puertos deben configurarse para que se puedan apilar. Cuando hay varios conmutadores conectados juntos a través de los puertos de apilado, todos funcionan como una unidad única con hasta 208 puertos en el panel frontal. La pila funciona y se administra como una sola entidad. Consulte la *Guía de Configuración del usuario* y la *Guía de referencia de la CLI* para obtener más información.

# Inicio y configuración del conmutador N1100-0N Series

El siguiente diagrama de flujo proporciona una descripción general de los pasos que debe seguir para realizar la configuración inicial una vez que el conmutador se haya desempaquetado y montado.

Figura 1-7. Diagrama de flujo de instalación y configuración



# Conexión de un conmutador N1100-ON Series a un terminal

Una vez realizadas todas las conexiones externas, configure el conmutador conectándolo a un terminal.



**NOTA:** Lea las notas de publicación de este producto antes de continuar. Puede descargar las notas de publicación de la página web de asistencia de Dell en [dell.com/support](http://dell.com/support).



**NOTA:** Dell recomienda encarecidamente que obtenga la versión más reciente de la documentación del usuario desde el sitio web de asistencia de Dell en [dell.com/support](http://dell.com/support).


Para supervisar y configurar el conmutador por medio de la consola USB, utilice el puerto de la consola del panel frontal del conmutador para conectarlo a un equipo que ejecute el software de emulación de terminal VT100 mediante el cable USB suministrado. Es posible que sea necesario descargar e instalar un controlador en el primer uso del cable USB.

El siguiente equipo es necesario para utilizar el puerto de la consola:


- El equipo VT100 compatible con un puerto USB que ejecute el software de emulación de terminal VT100, como, por ejemplo, HyperTerminal® y un controlador USB.
- El cable USB que se suministra con un conector USB de tipo B para el puerto de la consola y conector USB para el equipo anfitrión.

Realice las siguientes tareas para conectar un terminal al puerto de la consola del conmutador:

- 1** Conecte el conector USB tipo B con el conmutador suministrado y conecte el otro extremo a un equipo que ejecute el software de emulación de terminal VT100.
- 2** Configure el software de emulación de terminal de la siguiente manera:
  - a** Seleccione el puerto serie correspondiente (por ejemplo, COM 1) para conectar a la consola.
  - b** Establezca la velocidad de los datos en 115.200 baudios.
  - c** Establezca el formato de los 8 data bits, 1 stop bit y no parity.
  - d** Establezca el control de flujo en ninguno.

- e Establezca el modo de emulación de terminal en VT100.
  - f Seleccione las teclas del terminal para Función, Flecha y Ctrl. Asegúrese de que la configuración es para las teclas del terminal (y no para las teclas de Microsoft Windows).
- 3** Conecte el conector USB tipo B del cable directamente al puerto de la consola del conmutador. El puerto de la consola Conmutadores de Dell se encuentra en el lado derecho del panel frontal y está etiquetado con un símbolo |O|O|.
-  **NOTA:** El acceso a la consola en el administrador de pilas está disponible desde cualquier puerto de la consola por medio de la CLI. Solo una sesión de consola USB a la vez es compatible.

## N1100-ON Series Conexión de un conmutador a una fuente de alimentación

 **PRECAUCIÓN:** Lea la información de seguridad en el manual *Información reglamentaria y de seguridad*, así como la información de seguridad para otros conmutadores que se conecten o que sean compatibles con este.

Los modelos N1108T-ON y N1108P-ON tienen una fuente de alimentación interna. El enchufe de alimentación se encuentra en el panel posterior.

N1108EP-ON utiliza un adaptador de alimentación de CC externo.

Adaptador de alimentación de CC externo

### Conexión de la alimentación CA y CC

- 1** Asegúrese de que el puerto de consola del conmutador está conectado a un equipo que ejecute un emulador de terminal VT100 a través del cable USB a USB tipo B.
- 2** Mediante un cable de alimentación estándar de 5 pies (1,5 m) con toma a tierra, conecte el cable de alimentación al enchufe principal de CA que se encuentra en el panel posterior.

Los modelos de conmutadores PoE tienen un cable de alimentación de alto rendimiento con un conector marcado para el enchufe de alimentación del conmutador. El uso de este tipo de cable es obligatorio para los conmutadores PoE.

- 3** Conecte el cable de alimentación a una toma de CA con conexión a tierra.



## Inicio del conmutador N1100-ON Series

Cuando se enciende la alimentación con el terminal local ya conectado, el conmutador realiza una autoprueba de encendido (POST). La autoprueba POST se ejecuta cada vez que se inicializa el conmutador y comprueba los componentes de hardware para determinar si el conmutador está completamente operativo antes del inicio completo. Si la POST detecta un problema crítico, el flujo de programa se detiene. Si la POST se ejecuta correctamente, se carga el firmware válido en la RAM. Se muestran mensajes de la POST en el terminal e indican si la prueba ha finalizado correctamente o no. El proceso de inicio dura aproximadamente 60 segundos.

Puede abrir el menú **Inicio** después de completarse la primera parte de la POST. Desde el menú **Inicio** puede realizar varias tareas de configuración, como el restablecimiento del sistema a los valores predeterminados, la activación de la imagen de copia de seguridad o la recuperación de una contraseña. Para obtener más información sobre las funciones del menú **Inicio** consulte la *Guía de referencia de la CLI*.

# Cómo realizar la configuración inicial de N1100-ON Series

El procedimiento de configuración inicial se basa en los siguientes supuestos:

- El conmutador Conmutadores de Dell nunca fue configurado.
- El conmutador Conmutadores de Dell se ha iniciado correctamente.
- La conexión de la consola se estableció y la petición **Asistente de configuración rápida de Dell** aparece en la pantalla de un equipo que ejecute software de emulación de terminal.

La configuración inicial del conmutador se realiza a través del puerto de la consola. Después de la configuración inicial puede administrar el conmutador desde el puerto de consola ya conectado o bien remotamente a través de una interfaz definida durante la configuración inicial.



**NOTA:** El conmutador no está configurado con un nombre de usuario, contraseña o dirección IP predeterminados.

Antes de establecer la configuración inicial del conmutador debe obtener la siguiente información de su administrador de red:

- La dirección IP que se debe asignar a la interfaz de administración.
- La máscara de subred para la red.
- La dirección IP de la puerta de enlace predeterminada de la interfaz de administración.

Estos valores son necesarios para permitir la administración remota del conmutador a través de una conexión Telnet (cliente Telnet) o HTTP (explorador de Internet).

## Activación de la administración remota

En los conmutadores N1100-ON Series, puede utilizar cualquiera de los puertos del conmutador que se encuentran en el panel frontal para la administración en banda. De manera predeterminada, todos los puertos en banda son miembros de la red VLAN 1.

El **Asistente de configuración rápida de Dell** incluye indicadores para configurar la información de red de la interfaz VLAN 1 en los switches N1100-ON Series. Puede asignar una dirección IP estática y la máscara de subred o habilitar DHCP y habilitar un servidor DHCP de la red para asignar la información.

Consulte la *Guía de referencia de la CLI* para conocer los comandos para configurar la información de red.

## Procedimiento para la configuración inicial

Realice la configuración inicial mediante **Asistente de configuración rápida de Dell** o mediante la CLI. El asistente se inicia automáticamente cuando el archivo de configuración del conmutador está vacío. Salga del asistente en cualquier momento con Ctrl+z, aunque se descartarán todos los parámetros de configuración especificados y el conmutador utilizará los valores predeterminados.



**NOTA:** Si no ejecuta **Asistente de configuración rápida de Dell** o no responde a la indicación inicial del Asistente de configuración en 60 segundos, el conmutador entrará en el modo CLI. Debe restablecer el conmutador con una configuración de inicio vacía para volver a ejecutar **Asistente de configuración rápida de Dell**.

Para obtener más información acerca de cómo llevar a cabo la configuración inicial utilizando la CLI, consulte la *Guía de referencia de la CLI*. Esta *Guía de introducción* muestra cómo utilizar **Asistente de configuración rápida de Dell** durante la configuración inicial del conmutador. El asistente establece la siguiente configuración en el conmutador:

- Establece la cuenta de usuario privilegiada inicial con una contraseña válida. El asistente configura una cuenta de usuario privilegiada durante la configuración.
- Activa el inicio de sesión de la CLI y el acceso HTTP para el uso exclusivo de la autenticación local.
- Establece la dirección IP para la interfaz de enrutamiento VLAN 1 de la que son miembros todos los puertos en banda.
- Establece la cadena de comunidad SNMP que el administrador SNMP usará en una dirección IP determinada. Sáltese este paso si la administración SNMP no se utiliza para este conmutador.
- Permite especificar la dirección IP del sistema de administración de red o permite el acceso de administración desde todas las direcciones IP.
- Configura la dirección IP de la puerta de enlace predeterminada para la interfaz VLAN 1.

## Ejemplo de sesión

Esta sección describe una sesión **Asistente de configuración rápida de Dell**. Los siguientes valores se utilizan en la sesión de ejemplo:

- La cadena de comunidad SNMP que se utiliza es **pública**.
- La dirección IP del sistema de administración de red (NMS) es **10.1.2.100**.
- El nombre de usuario es **admin** y la contraseña es **admin123**.
- La dirección IP para la interfaz de enrutamiento VLAN 1 es **10.1.1.200** con una máscara de subred **255.255.255.0**.
- La puerta de enlace predeterminada es **10.1.1.1**.

El asistente para configuración define los valores iniciales como se ha indicado anteriormente. Después de completar el asistente, el conmutador se configura de la siguiente manera:

- SNMPv2 está activado y la cadena de comunidad es la definida anteriormente. SNMPv3 está desactivada de manera predeterminada.
- La cuenta de usuario admin se configura como se ha indicado.
- Un sistema de administración de red está configurado. En la estación de administración puede acceder a las interfaces SNMP, HTTP y CLI. También puede permitir que todas las direcciones IP tengan acceso a estas interfaces de administración especificando la dirección IP (0.0.0.0).
- Se configura una dirección IP para la interfaz de enrutamiento VLAN 1.
- Se configura una dirección de puerta de enlace predeterminada.



**NOTA:** En el siguiente ejemplo, las opciones de usuario posibles o valores predeterminados se incluyen entre corchetes [ ]. Si presiona <Intro> sin opciones definidas, el valor predeterminado se acepta. El texto de ayuda se encuentra entre paréntesis.

## Ejemplo de consola Asistente de configuración rápida de Dell

El siguiente ejemplo contiene la secuencia de peticiones y respuestas asociadas a la ejecución de una sesión de ejemplo **Asistente de configuración rápida de Dell**, usando los valores de entrada presentados anteriormente.

Cuando el conmutador finaliza la POST y se inicia, aparece el diálogo siguiente:

```
Unit 1 - Waiting to select management unit)>
```

```
_____Dell SupportAssist EULA_____
```

```
I accept the terms of the license agreement. You can reject the license agreement by configuring this command 'eula-consent support-assist reject'.
```

```
By installing SupportAssist, you allow Dell to save your contact information (e.g. name, phone number and/or email address) which would be used to provide technical support for your Dell products and services Dell may use the information for providing recommendations to improve your IT infrastructure. Dell SupportAssist also collects and stores machine diagnostic information, which may include but is not limited to configuration information, user supplied contact information, names of data volumes, IP addresses, access control lists, diagnostics & performance information, network configuration information, host/server configuration & performance information and related data (Collected Data) and transmits this information to Dell. By downloading SupportAssist and agreeing to be bound by these terms and the Dell end user license agreement, available at: http://www.dell.com/aeula, you agree to allow Dell to provide remote monitoring services of your IT environment and you give Dell the right to collect the Collected Data in accordance with Dell's Privacy Policy, available at: http://www.dell.com/privacypolicycountryspecific, in order to enable the performance of all of the various functions of SupportAssist during your entitlement to
```

receive related repair services from Dell. You further agree to allow Dell to transmit and store the Collected Data from SupportAssist in accordance with these terms. You agree that the provision of SupportAssist may involve international transfers of data from you to Dell and/or to Dell's affiliates, subcontractors or business partners. When making such transfers, Dell shall ensure appropriate protection is in place to safeguard the Collected Data being transferred in connection with SupportAssist. If you are downloading SupportAssist on behalf of a company or other legal entity, you are further certifying to Dell that you have appropriate authority to provide this consent on behalf of that entity. If you do not consent to the collection, transmission and/or use of the Collected Data, you may not download, install or otherwise use SupportAssist.

\_\_\_\_\_AeroHive HiveManager NG EULA\_\_\_\_\_

This switch includes a feature that enables it to work with HiveManager (an optional management suite), by sending the switch's service tag number and IP Address to HiveManager to authenticate your entitlement to use HiveManager. If you wish to disable this feature, you should run command 'eula-consent hiveagent reject' immediately upon powering up the switch for the first time, or at any time thereafter.

Applying Global configuration, please wait...

Welcome to Dell Easy Setup Wizard

The setup wizard guides you through the initial switch configuration, and gets you up and running as quickly as possible. You can skip the setup wizard, and enter CLI mode to manually configure the switch. You must respond to the next question to run the setup wizard within 60 seconds, otherwise the system will continue

with normal operation using the default system configuration. Note: You can exit the setup wizard at any point by entering [ctrl+z].

Would you like to run the setup wizard (you must answer this question within 60 seconds)? [Y/N] **y**

Step 1:

The system is not set up for SNMP management by default. To manage the switch using SNMP (required for Dell Network Manager) you can

- . Set up the initial SNMP version 2 account now.
- . Return later and set up other SNMP accounts. (For more information on setting up an SNMP version 1 or 3 account, see the user documentation).

Would you like to set up the SNMP management interface now? [Y/N] **y**

To set up the SNMP management account you must specify the management system IP address and the "community string" or password that the particular management system uses to access the switch. The wizard automatically assigns the highest access level [Privilege Level 15] to this account. You can use Dell Network Manager or other management interfaces to change this setting, and to add additional management system information later. For more information on adding management systems, see the user documentation.

To add a management station:

Please enter the SNMP community string to be used.

[public]: **public**



**NOTA:** Si se configura, se establece el nivel de acceso predeterminado superior para la interfaz de administración SNMP. Inicialmente solo se activará SNMPv2. SNMPv3 se desactiva hasta que vuelva a configurar el acceso de seguridad para SNMPv3 (por ejemplo ID de motor, vista, etc.).

Please enter the IP address of the Management System (A.B.C.D) or wildcard (0.0.0.0) to manage from any Management Station. [0.0.0.0]: **10.1.2.100**

## Step 2:

Now we need to set up your initial privilege (Level 15) user account. This account is used to login to the CLI and Web interface. You may set up other accounts and change privilege levels later. For more information on setting up user accounts and changing privilege levels, see the user documentation.

To set up a user account:

```
Please enter the user name. [root]:admin
Please enter the user password: *****
Please reenter the user password: *****
```

## Step 3:

Next, an IP address is set up on the VLAN 1 routing interface.

You can use the IP address to access the CLI, Web interface, or SNMP interface of the switch.

To access the switch through any Management Interface you can

- . Set up the IP address for the Management Interface.
- . Set up the default gateway if IP address is manually configured on the routing interface.

## Step 4:

```
Would you like to set up the VLAN1 routing interface now? [Y/N] y
```

```
Please enter the IP address of the device (A.B.C.D) or enter "DHCP" (without the quotes) to automatically request an IP address from the network DHCP server:  
10.1.1.200
```

```
Please enter the IP subnet mask (A.B.C.D or /nn):  
255.255.255.0
```

## Step 5:



Finally, set up the default gateway. Please enter the IP address of the gateway from which this network is reachable. [0.0.0.0]: **10.1.1.1**

This is the configuration information that has been collected:

```
SNMP Interface = "public"@10.1.2.100
User Account setup = admin
Password = *****
VLAN1 Router Interface IP = 10.1.1.200 255.255.255.0
Default Gateway = 10.1.1.1
```

Step 6:

If the information is correct, please enter (Y) to save the configuration and copy the settings to the start-up configuration file. If the information is incorrect, enter (N) to discard the configuration and restart the wizard: [Y/N] **y**

Thank you for using the Dell Easy Setup Wizard. You will now enter CLI mode.

Applying Interface configuration, please wait...

### **Próximos pasos:**

Después de completar la configuración inicial descrita en esta sección, conecte cualquiera de los puertos del conmutador del panel frontal a una red de producción para la administración remota en banda.

Si ha especificado DHCP para la dirección IP de la interfaz de administración VLAN 1, la interfaz adquiere la dirección IP desde un servidor DHCP de la red. Para detectar la dirección IP asignada dinámicamente, utilice la conexión del puerto de la consola para ejecutar el siguiente comando:

- Para la interfaz de enrutamiento VLAN 1, introduzca **mostrar ip de la interfaz**.

Para acceder a la interfaz del administrador de conmutadores OpenManage de Dell, introduzca la dirección IP de la interfaz de administración VLAN 1 en el campo de dirección de un navegador de Internet. Para la administración remota acceda a la CLI, introduzca la dirección IP de la interfaz de

administración VLAN 1 en un cliente Telnet o SSH. De manera alternativa, continúe para utilizar el puerto de la consola para acceder al CLI local del conmutador.

Los conmutadores N1100-ON Series admiten características de conmutación como VLAN y el protocolo de árbol de extensión. Utilice la interfaz de administración basada en web o la CLI para configurar las características que su red requiere. Para obtener información acerca de cómo configurar las funciones del conmutador, consulte la *Guía de configuración del usuario* o *Guía de referencia de la CLI* disponibles en la web: [dell.com/support](http://dell.com/support).

# Cumplimiento de normas de agencia

Los switches N1108T-ON, N1108P-ON, N1108EP-ON, N1124T-ON, N1124P-ON, N1148T-ON y N1148P-ON cumplen con los siguientes requisitos de agencia y de seguridad.

## Declaración de conformidad con la directiva de EMC de la Unión Europea

Este producto está en conformidad con los requisitos de protección de la directiva del concejo de la UE 2004/30/EC relativa a la aproximación de las legislaciones de los estados miembros sobre compatibilidad electromagnética. Dell EMC no puede aceptar la responsabilidad de ninguna falla de cumplimiento de los requisitos de protección que sea resultado de una modificación no recomendada de este producto, incluida la colocación de tarjetas de opción que no sean de Dell EMC.

Este producto ha sido probado y cumple con los límites establecidos para los equipos de tecnología informática de clase A, de acuerdo con CISPR 32/CISPR34 y EN55032/EN55034. Los límites establecidos para equipos de clase A se obtuvieron para ambientes comerciales e industriales, a fin de proporcionar una protección razonable contra interferencias con equipos de comunicación con licencia.

**AVISO: Este es un producto de clase A. En un ambiente doméstico, este dispositivo puede causar interferencias de radio, en cuyo caso, es posible que deba tomar medidas adecuadas.**

Contacto de la comunidad europea

Dell EMC, EMEA: Central

Dahlienweg 19

66265 Heusweiler

Alemania

Tel.: +49 172 6802630

Correo electrónico: EMEA Central Sales

## Certificación de cumplimiento de normas de India

El producto está en conformidad con las normativas de *Requisitos esenciales del centro de ingeniería de telecomunicaciones (TEC)*.

## Certificaciones de agencias de cumplimiento de normas y estándares de seguridad

- IEC 62368-1, 2.<sup>a</sup> edición
- CUS UL 60950-1, 2.<sup>a</sup> edición
  - Cumple con o supera los requisitos de UL 60950-1 de pruebas de continuidad de conexión a tierra y de alta tensión.
- AS/NZS 60950
- CSA 60950-1-03, 2.<sup>a</sup> edición
- EN 60950-1, 2.<sup>a</sup> edición
- EN 60825-1, 1.<sup>a</sup> edición
- EN 60825-1, seguridad de productos láser: parte 1; Requisitos de clasificación de equipos y guía del usuario's
- EN 60825-2, seguridad de productos láser: parte 2; Seguridad de sistemas de comunicación de fibra óptica
- Regulación de la FDA 21CFR 1040.10 y 1040.11
- IEC 60950-1, 2.<sup>a</sup> edición, que incluye todas las desviaciones nacionales y las diferencias de grupo

## Compatibilidad electromagnética

### Emisiones

- Internacional: CISPR 32; clase A
- Australia/Nueva Zelanda: AS/NZS CISPR 32, clase A
- Canadá: ICES-003, número 4, clase A
- Europa: EN55032:2015 (CISPR 32), clase A
- EN55032
- Japón: VCCI, clase A
- Corea: KN32, clase A
- Taiwán: CNS13438, clase A
- EE. UU.: FCC CFR47 parte 15, subparte B, clase A

## Inmunidad

- EN 300 386 EMC para equipos de red
- EN 55024
- EN 61000-3-2, emisiones de corriente armónica
- EN 61000-3-3, fluctuaciones de voltaje y parpadeo
- EN 61000-4-2, ESD
- EN 61000-4-3, inmunidad radiada
- EN 61000-4-4, EFT
- EN 61000-4-5, sobretensión
- EN 61000-4-6, inmunidad conducida de baja frecuencia

## Eliminación y reciclaje de productos

Debe reciclar o desechar este sistema según las regulaciones locales y nacionales correspondientes. Dell EMC recomienda a los propietarios de tecnología de la información (TI) que reciclen sus equipos de manera responsable cuando ya no sean necesarios. Dell EMC ofrece una variedad de programas y servicios de devolución de productos en varios países, para ayudar a los propietarios de equipos a reciclar sus productos de TI.

## Directiva sobre la recuperación, el reciclaje y la reutilización de productos de telecomunicaciones y TI de desecho de equipos eléctricos y electrónicos (WEEE)

Los interruptores de Dell EMC están etiquetados de acuerdo con la directiva europea 2002/96/EC relativa al desecho de equipos eléctricos y electrónicos (WEEE). La directiva determina la estructura para la devolución y el reciclaje de dispositivos usados, según corresponda en la Unión Europea. Esta etiqueta se aplica a distintos productos para indicar que no se deben desechar, sino reclamar según el fin de vida útil de esta directiva.

**Figura 1-8. El símbolo WEEE de Europa**



De acuerdo con la directiva WEEE europea, el equipo eléctrico y electrónico (EEE) se debe recolectar por separado y se debe reutilizar, reciclar o recuperar al final de la vida útil. Los usuarios de EEE con la marca WEEE según el anexo IV de la directiva WEEE, como se muestra anteriormente, no debe desechar los EEE de final de vida útil como desecho municipal sin distinción, sino utilizar la estructura de recolección disponible para los clientes para devolver, reciclar o recuperar WEEE. La participación del cliente es importante para minimizar los posibles efectos de EEE en el ambiente y la salud humana debido a la posible presencia de sustancias peligrosas en EEE.

Los productos de Dell EMC, que se encuentran dentro del ámbito de la WEEE, están etiquetados con el símbolo de basurero con ruedas tachado, como se muestra anteriormente, según sea necesario según la WEEE.

Para obtener más información sobre las ofertas de reciclaje de productos de Dell EMC, consulte las instrucciones de reciclaje de la WEEE en la página de Soporte. Para obtener más información, comuníquese con el centro de asistencia técnica de Dell EMC.



Dell Networking  
N1108T-0N/N1108P-0N/  
N1108EP-0N/N1124T-0N/  
N1124P-0N/N1148T-0N/  
N1148P-0N Anahtarlar

## **Başlangıç Kılavuzu**





# Notlar, Dikkat Edilecek Noktalar ve Uyarılar



**NOT:** NOT, anahtarınızı daha iyi kullanmanıza yardımcı olacak önemli bilgiler sağlar.



**DİKKAT:** DİKKAT, donanımda olabilecek hasarları ya da veri kaybını belirtir ve bu sorunun nasıl önleneceğini anlatır.



**UYARI:** UYARI, meydana gelebilecek olası maddi hasar, kişisel yaralanma veya ölüm tehlikesi anlamına gelir.



**Lityum pil uyarısı:**

- Pil yanlış şekilde değiştirilirse patlama riski taşır. Yalnızca aynı veya denk türde bir pil ile değiştirin. Pilleri üreticinin talimatlarına göre imha edin.
- Pilin ateşe veya sıcak fırına atılması, mekanik olarak ezilmesi veya kesilmesi patlamaya neden olabilir.
- Pilin aşırı sıcak bir ortamda bırakılması yanıcı sıvı veya gaz sızıntısına ya da patlamaya neden olabilir.
- Pilin aşırı düşük hava basıncına maruz bırakılması yanıcı sıvı veya gaz sızıntısına ya da patlamaya neden olabilir.
- Aygıt yalnızca bir laboratuvar veya bir makine odası gibi sabit bir konumda kullanılabilir. Aygıtı takarken priz in koruyucu topraklama bağlantısının yetkin bir kişi tarafından doğrulandığından emin olun.

---

© 2019 Dell Inc. veya yan kuruluşları. Tüm hakları saklıdır. Bu ürün, ABD ve uluslararası telif hakkı ve fikri mülkiyet yasaları tarafından korunmaktadır. Dell ve Dell logosu, Amerika Birleşik Devletleri ve/veya diğer ülkelerde, Dell Inc.'e ait ticari markalardır. Burada adı geçen diğer tüm markalar ve isimler, ilgili firmaların ticari markalarıdır.

Düzenleyici Modeller: E17W ve E18W

Mayıs 2019 P/N Y7208 Rev. A01

# İçindekiler

1	Giriş . . . . .	195
	<b>N1100-ON Serisi Donanıma Genel Bakış . . . . .</b>	<b>195</b>
	N1100-ON Serisi PoE Anahtarların Güç Tüketimi . . . . .	195
	Havalandırma Sistemi . . . . .	196
	<b>N1100-ON Serisi Model Özeti . . . . .</b>	<b>197</b>
2	N1108T-ON/N1108P-ON/ N1108EP-ON'un Takılması . . . . .	198
	<b>Dell Tandem Tepsisini Kullanarak N1108T-ON/ N1108P-ON Anahtarının Takılması . . . . .</b>	<b>198</b>
	<b>N1108T-ON/N1108P-ON/N1108EP-ON'u Büyük L Braketleri Kullanarak İki Direkli Rafa Monte Etme . . . . .</b>	<b>199</b>
	<b>Tüm N11xx-ON Anahtarlarının Duvara Monte Edilmesi. . . . .</b>	<b>200</b>
3	N1124T-ON/N1124P-ON/N1148T-ON/ N1148P-ON Montajı . . . . .	203
	<b>N1124T-ON/N1124P-ON/ N1148T-ON/ N1148P-ON Anahtarı Rafa Monte Etme . . . . .</b>	<b>203</b>
	Rafa Kurmak . . . . .	203
	Ayaklı Anahtar Olarak Kurmak . . . . .	204
	<b>Birden Fazla N1124T-ON/N1124P-ON/ N1148T-ON/ N1148P-ON Anahtarı Yığınlama. . . . .</b>	<b>204</b>

<b>4</b>	<b>Başlatma ve Yapılandırma: N1100-ON Serisi Anahtar . . . . .</b>	<b>205</b>
	<b>N1100-ON Serisi Anahtarı Bir Terminale Bağlama . . . . .</b>	<b>206</b>
	<b>N1100-ON Serisi Bir Anahtarı Güç Kaynağına Bağlama. . . . .</b>	<b>207</b>
	AC ve DC Güç Bağlantısı . . . . .	207
	<b>N1100-ON Serisi Anahtarı Başlatma . . . . .</b>	<b>208</b>
	<b>N1100-ON Serisi İlk Yapılandırmayı Gerçekleştirme . . . . .</b>	<b>209</b>
	Uzaktan Yönetimi Etkinleştirme . . . . .	209
	İlk Yapılandırma Prosedürü . . . . .	210
	Örnek Oturum . . . . .	211
	<b>Dell Kolay Kurulum Sihirbazı</b> Konsol Örneği . . . . .	212
	Sonraki Adımlar . . . . .	216
<b>5</b>	<b>Ajans uyumluluğu . . . . .</b>	<b>218</b>

# Giriş

Bu belge, Dell Networking N1100-ON Serisi anahtarlar hakkında, anahtarın nasıl kurulacağı ve ilk yapılandırmayı gerçekleştirmeyi de içeren temel bilgiler sunar. Anahtar özelliklerini yapılandırma ve izleme hakkında bilgi için [dell.com/support](http://dell.com/support) adresindeki Dell Destek web sitesinde mevcut olan *Kullanıcı Yapılandırma Kılavuzu'na bakın*. Belge ve donanım yazılımına dair en son güncelleştirmeler için Destek web sitesine bakın.



**NOT:** Anahtar yöneticilerine Dell Networking anahtarları en son Dell Networking İşletim Sistemi (DNOS) sürümünde çalıştırmaları önemle tavsiye edilir. Dell Networking, kullanıcılardan gelen geri bildirimlere göre DNOS özellikleri ve işlevlerini sürekli olarak geliştirmeye devam eder. Yeni DNOS sürümüyle ağ yapılandırması ve çalışmasını doğrulamak amacıyla kritik altyapı için ağın kritik olmayan bir kısmının yeni sürümünün önceden hazırlanması tavsiye edilir.

## N1100-ON Serisi Donanıma Genel Bakış

Bu bölüm, aygıt özellikleri ve Dell Networking N1100-ON Serisi anahtarına yönelik modüler donanım yapılandırmaları hakkında bilgi içermektedir.

**NOT:** N1108EP-ON anahtarı harici bir güç adaptörü kullanır. N1108EP-ON harici güç adaptörü için montaj kiti mevcut değildir. N1108EP-ON'u takarken, harici güç adaptörünü anahtardan uzağa yerleştirin.

## N1100-ON Serisi PoE Anahtarların Güç Tüketimi

Tablo 1-1 tablosunda N1100-ON Serisi PoE anahtarların güç tüketimi açıklanır. PoE güç bütçesi N1108P-ON için 60 W, N1108EP-ON için 123 W, N1124P - ON için 185 W ve N1148P-ON için 370 W değerindedir.

**Tablo 1-1. N1100-ON Serisi PoE Anahtarların Güç Tüketimi**

Model	Giriş Voltajı	Güç Kaynağı Yapılandırması	Maksimum Sürekli Akım Tüketimi (A)	Maksimum Sabit Güç (W)
N1108P-ON	100 V/60 Hz	Ana PSU	0,95 A	88,64 W
	110 V/60 Hz	Ana PSU	0,87 A	88,43 W
	120 V/60 Hz	Ana PSU	0,80 A	88,22 W
	220 V/50 Hz	Ana PSU	0,49 A	89,28 W
	240 V/50 Hz	Ana PSU	0,45 A	89,70 W

Model	Giriş Voltajı	Güç Kaynağı Yapılandırması	Maksimum Sürekli Akım Tüketimi (A)	Maksimum Sabit Güç (W)
N1108EP-ON	100 V/60 Hz	54VDC Harici güç adaptörü	1,62 A	157W
	110 V/60 Hz	54VDC Harici güç adaptörü	1,47A	157W
	120 V/60 Hz	54VDC Harici güç adaptörü	1,35A	157W
	220 V/50 Hz	54VDC Harici güç adaptörü	0,74A	157W
	240 V/50 Hz	54VDC Harici güç adaptörü	0,67A	157W
N1124P-ON	100 V/60 Hz	Ana PSU	2,66 A	260,66 W
	110 V/60 Hz	Ana PSU	2,38 A	257,95 W
	120 V/60 Hz	Ana PSU	2,16 A	256,27 W
	220 V/50 Hz	Ana PSU	1,18 A	250,52 W
	240 V/50 Hz	Ana PSU	1,10 A	251,25 W
N1148P-ON	100 V/60 Hz	Ana PSU	4,78 A	476,03 W
	110 V/60 Hz	Ana PSU	4,32 A	472,64 W
	120 V/60 Hz	Ana PSU	3,95 A	470,58 W
	220 V/50 Hz	Ana PSU	2,14 A	459,37 W
	240 V/50 Hz	Ana PSU	1,97 A	459,06 W

### Havalandırma Sistemi

Bir fan ile N1108T-ON/N1108P-ON anahtarlar ve iki adet fan ile N1024T-ON/N1024P-ON/N1048T-ON/N1048P-ON anahtarlar soğutulur. Fanlar sahada değiştirilemez. N1108EP-ON, fansız bir anahtardır.

# N1100-ON Serisi Model Özeti

**Tablo 1-2. N1100-ON Serisi Anahtar Düzenleyici Numaraları**

Pazarlama Model Adı (MMN)	Açıklama	Güç Kaynağı Ünitesi (PSU)	Düzenleyici Model Numarası (RMN)	Düzenleyici Tür Numarası (RTN)
N1108T-ON	10x1G/2x1G SFP Bağlantı Noktaları	DPS-24GP	E17W	E17W001
N1108P-ON	10x1G/2x1G SFP/2xPoE+ Bağlantı Noktaları	DPS-80AP/ DPS-24GP	E17W	E17W001
N1108EP-ON	8x1G PoE+/2x1G PD/2x1G SFP Bağlantı Noktaları	ADP-280BR	E48W	E48W001
N1124T-ON	24x1G/4x10G SFP+ Bağlantı Noktaları	DPS-40AP	E18W	E18W001
N1124P-ON	24x1G/4x10G SFP+/6xPoE+ Bağlantı Noktaları	EDPS-250BF	E18W	E18W001
N1148T-ON	48x1G/4x10G SFP+ Bağlantı Noktaları	DPS-60AP	E18W	E18W002
N1148P-ON	48x1G/4x10G SFP+/12xPoE+ Bağlantı Noktası	YM-2501D	E18W	E18W002

# N1108T-ON/N1108P-ON/ N1108EP-ON'un Takılması

## Dell Tandem Tepsisini Kullanarak N1108T-ON/N1108P-ON Anahtarının Takılması

AC güç konektörü arka panelde bulunur.

- !** **UYARI:** *Güvenlik ve Mevzuat Bilgilerindeki* güvenlik bilgilerinin yanı sıra anahtarı bağlayan veya destekleyen diğer anahtarların güvenlik bilgilerini okuyun.
  - !** **UYARI:** Anahtarı masa veya masa altına asmak için raf montaj kitleri kullanmayın veya bir duvara takmayın.
  - △** **DİKKAT:** Devam etmeden önce düğmeden tüm kabloların bağlantısını kesin. Bağlıysa, kendinden yapışkanlı pedleri düğmenin altından çıkarın.
  - △** **DİKKAT:** Bir rafta birden fazla anahtar monte ederken, düğmeleri aşağıdan yukarıya monte edin.
- 1** N1108T-ON/N1108P-ON anahtarını, Şekil 1-1'de gösterildiği gibi Dell Tandem Tepsisi Kitinde sabitleyin.

Şekil 1-1. Dell Tandem Tepsisi Kiti



- 2** Kitteki raf montaj deliklerinin, raftaki montaj delikleriyle aynı hizada olduğundan emin olarak anahtarı, rafa 48,26 cm (19 inç) derinliğinde yerleştirin.

- 3 Kiti raf civatası veya kafes somun ve rondelalı kafes somun civatası (elinizdeki raf türüne göre değişir) kullanarak rafa monte edin. Üstteki civataları sıkmadan önce alttaki civataları sıkın.

## N1108T-ON/N1108P-ON/N1108EP-ON'u Büyük L Braketleri Kullanarak İki Direkli Rafa Monte Etme

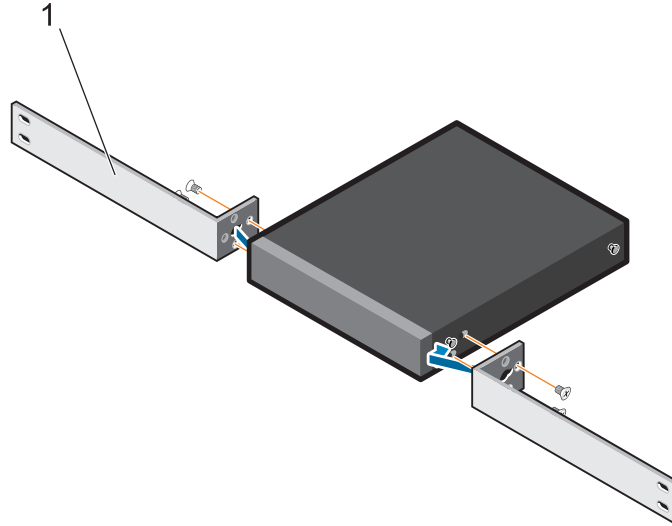
**NOT:** AC güç konektörü, N1108T-ON/N1108P-ON anahtarlarının arka panelinde bulunur. N1108EP-ON için DC güç konektörü arka panelin ortasındadır.

**NOT:** N1108EP-ON anahtarı harici bir güç adaptörü kullanır. N1108EP-ON harici güç adaptörü için montaj kiti mevcut değildir. N1108EP-ON'u takarken, harici güç adaptörünü anahtardan uzağa yerleştirin.

**DİKKAT:** N1108EP-ON fansız bir anahtar olduğundan, aşırı ısınmayı önlemek için harici güç adaptörünü anahtarın üzerine yerleştirmeyin.

- 1 Anahtardaki montaj delikleriyle raf montaj braketindeki montaj deliklerinin hizalı olduğundan emin olarak ürünle birlikte verilen raf montaj braketini anahtarın bir tarafına yerleştirin. Şekil 1-2'deki madde 1'e bakın.

Şekil 1-2. Büyük L-braketi kitini kullanarak takma

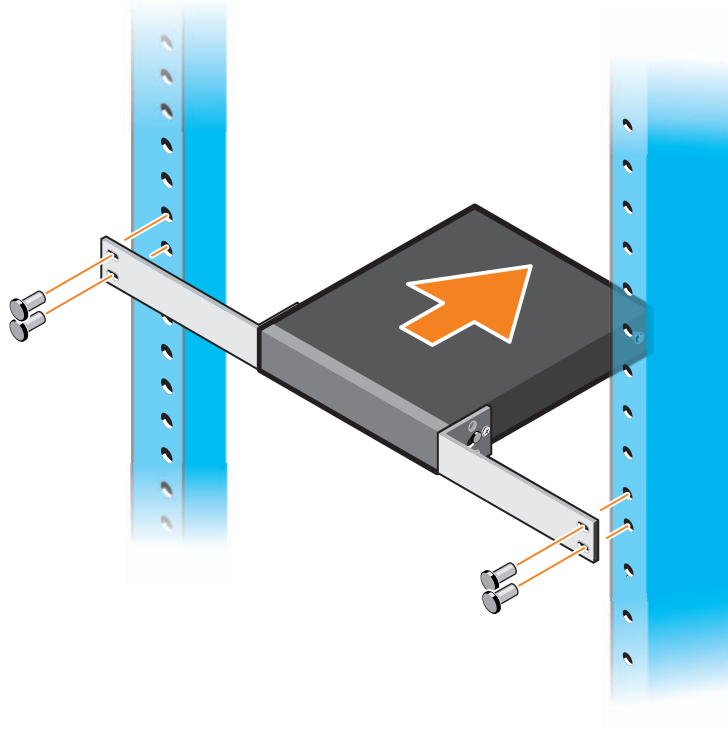


- 2 Ürünle birlikte verilen vidaları raf montaj deliklerine takın ve bir tornavidayla sıkın.
- 3 İşlemi anahtarın diğer tarafında tekrarlayın.
- 4 Anahtar ve ray aksamını rafın önünden rafın içine yerleştirin. Anahtardaki raf montaj deliklerinin raftaki montaj delikleriyle hizalı olduğundan emin olun.



- 5 Anahtar raf vidalarıyla rafa sabitleyin. Üst vida çiftinden önce alt vida çiftini sıkın. Bkz. Şekil 1-3.

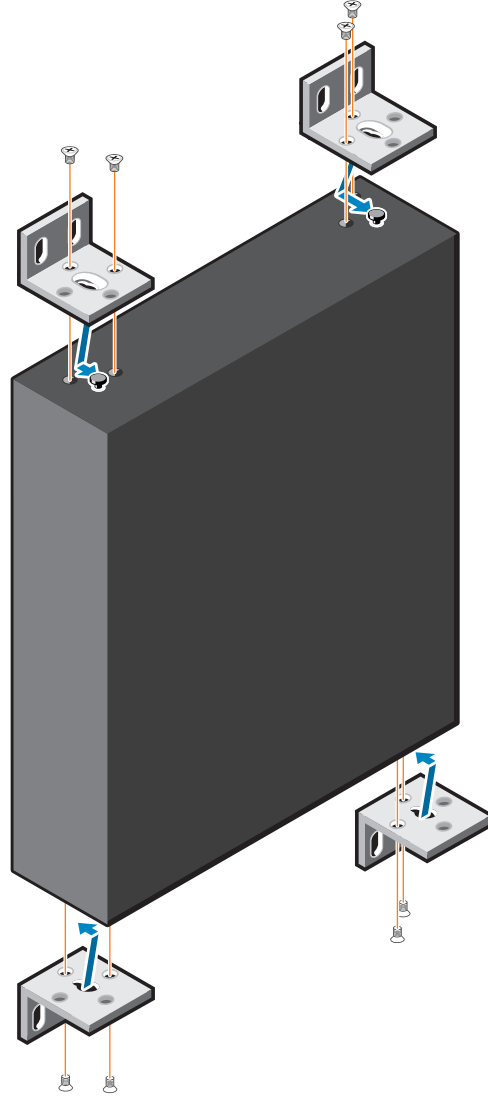
Şekil 1-3. L Braketiyle İki direkli Rafa takma



## Tüm N11xx-ON Anahtarlarının Duvara Monte Edilmesi

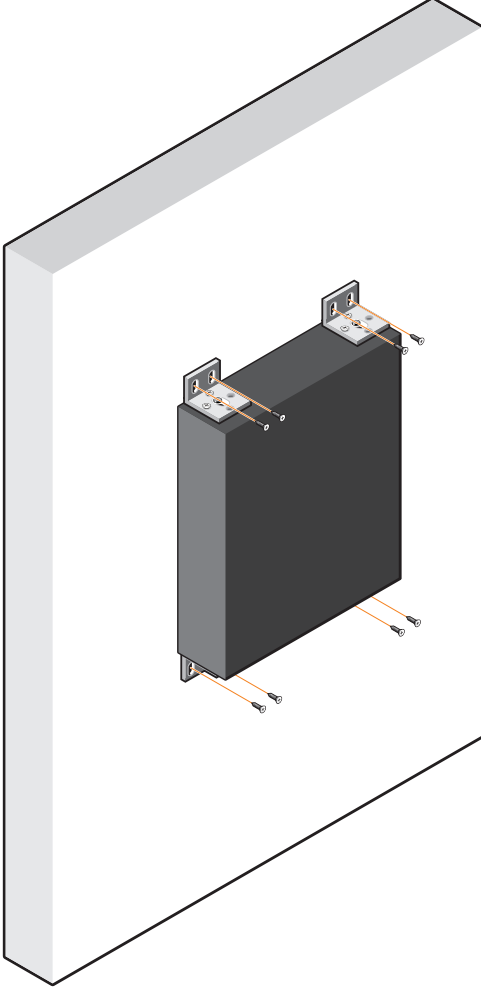
- 1 Montaj yerinin aşağıdaki gereksinimleri karşıladığından emin olun:
  - Duvarın yüzeyi anahtarı destekleyebilir.
  - Yer, ısı birikmesini engellemek üzere havalandırılır.
- 2 Anahtardaki montaj delikleriyle duvar montaj braketindeki montaj deliklerinin hizalı olduğundan emin olarak ürünle birlikte verilen duvar montaj braketini anahtarın bir yüzüne yerleştirin.
- 3 Ürünle birlikte verilen vidaları duvar montaj braketini deliklerine takın ve bir tornavidayla sıkın. Bkz. Şekil 1-4.

#### Şekil 1-4. Montaj Braketlerini Takma



- 4** Aynı işlemi, anahtarın diğer yüzündeki duvar montaj braketleri için tekrarlayın.
- 5** Anahtarı, duvardaki yerine yerleştirin.
- 6** Duvardaki, düğmeyi tutacak vidaların hazırlanması gereken yerleri işaretleyin.
- 7** İşaretli konumlarda delikleri açın ve verilen sekiz çapayı deliklere yerleştirin.
- 8** Ürünle birlikte verilen vidaları duvar montaj braketleri deliklerine takın ve bunları bir tornavidayla sıkın. Bkz. Şekil 1-5.

Şekil 1-5. Duvara montaj



# N1124T-ON/N1124P-ON/N1148T-ON/ N1148P-ON Montajı

## N1124T-ON/N1124P-ON/ N1148T-ON/ N1148P-ON Anahtarı Rafa Monte Etme

**⚠ UYARI:** *Güvenlik ve Mevzuat Bilgilerindeki* güvenlik bilgilerinin yanı sıra anahtarı bağlayan veya destekleyen diğer anahtarların güvenlik bilgilerini okuyun.

AC güç konektörü, anahtarın arka panelindedir.

### Rafa Kurmak

**⚠ UYARI:** Anahtarı masa veya masa altına asmak için raf montaj kitleri kullanmayın veya bir duvara takmayın.

**⚠ DİKKAT:** Devam etmeden önce düğmeden tüm kabloların bağlantısını kesin. Bağlıysa, kendinden yapışkanlı pedleri düğmenin altından çıkarın.

**⚠ DİKKAT:** Bir rafta birden fazla anahtar monte ederken, düğmeleri aşağıdan yukarıya monte edin.


- 1 Anahtardaki montaj delikleriyle raf montaj braketindeki montaj deliklerinin hizalı olduğundan emin olarak ürünle birlikte verilen raf montaj braketini anahtarın bir yüzüne yerleştirin. Şekil 1-6 şekli braketlerin nereye monte edileceğini gösterir.

Şekil 1-6. Braketleri Takma




- 2 Ürünle birlikte verilen cıvataları raf montaj deliklerine takın ve bir tornavidayla sıkın.
- 3 Aynı işlemi, anahtarın diğer yüzündeki raf montaj braketi için tekrarlayın.
- 4 Braketteki raf montaj deliklerinin, raftaki montaj delikleriyle aynı hizada olduğundan emin olarak anahtarı, rafa 48,26 cm (19 inç) derinliğinde yerleştirin.
- 5 Braketi raf cıvatası veya kafes somun ve rondelalı kafes somun cıvatası (elinizdeki raf türüne göre değişir) kullanarak rafa monte edin. Üstteki cıvataları sıkmadan önce alttaki cıvataları sıkın.

 **DİKKAT:** Ürünle birlikte verilen raf cıvatalarının raftaki dış deliklerine uyduğundan emin olun.

 **NOT:** Havalandırma deliklerinin engellenmediğinden emin olun.

### Ayaklı Anahtar Olarak Kurmak

 **NOT:** Dell, anahtarı bir rafa monte etmenizi kuvvetle önerir.

Anahtarı rafa monte etmiyorsanız, düz bir yüzeye monte edin. Yüzey, anahtarın ve anahtar kablolarının ağırlığını destekleyebilmelidir. Anahtar, kendinden yapışkanlı dört lastik ped ile birlikte verilir.

- 1 Kendiliğinden yapışan lastik pedleri, düğmenin alt tarafında işaretlenmiş olan yerlere takın.
- 2 Anahtarı düz bir zemine koyun ve her iki taraftan 5 cm (2 inç), arka taraftansa 13 cm (5 inç) bırakarak uygun havalandırma koşulunu oluşturun.

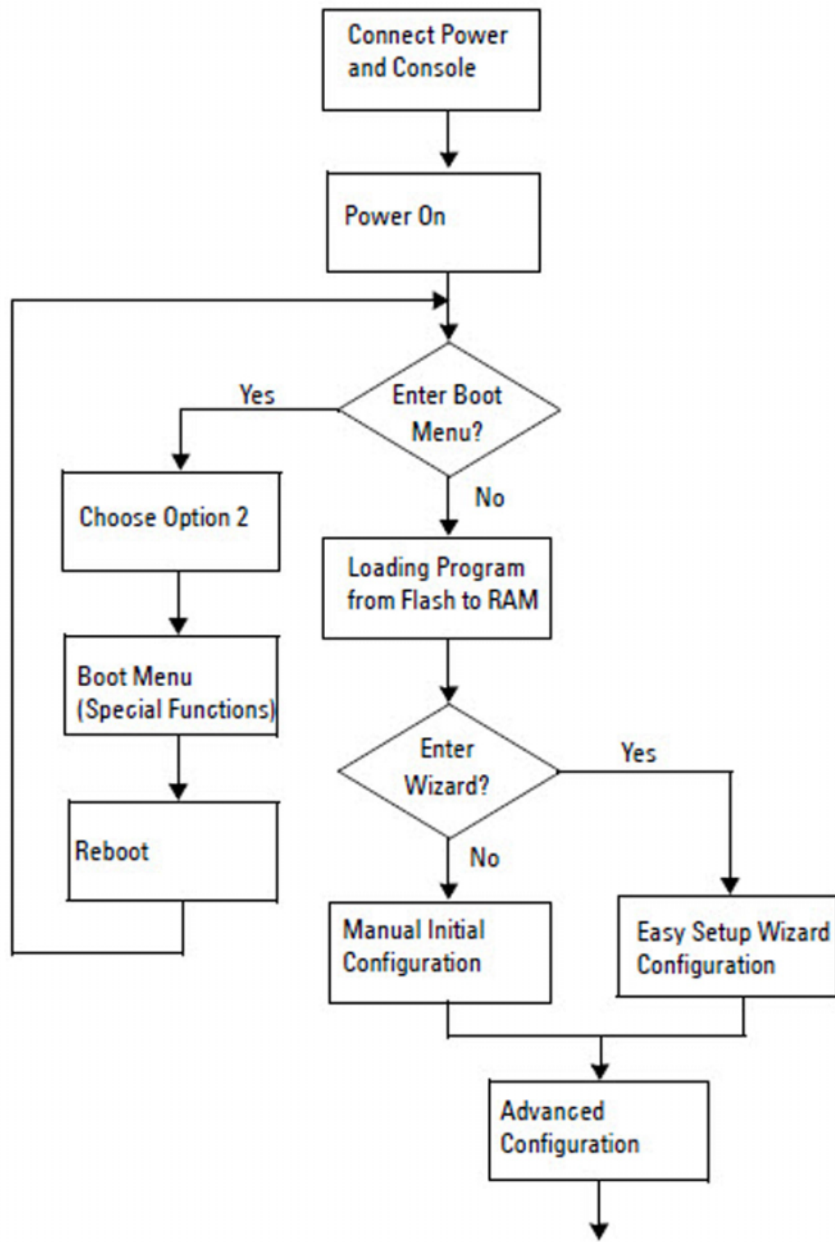
## Birden Fazla N1124T-ON/N1124P-ON/ N1148T-ON/ N1148P-ON Anahtarı Yığınlama

Anahtarın ön tarafında 10G SFP + bağlantı noktaları kullanarak N1124T-ON/N1124P-ON/N1148T-ON/ N1148P-ON anahtarlarını, dört anahtara kadar yığınlayabilirsiniz. Bağlantı noktaları, yığınlamayı destekleyecek şekilde yapılandırılmalıdır. Birden fazla anahtar, yığın bağlantı noktaları aracılığıyla birbirine bağlandığında 208'e kadar ön panel bağlantı noktasına sahip tek bir birim olarak çalışırlar. Yığın, tek bir varlık olarak çalışır ve yönetilir. Daha fazla bilgi için *Kullanıcı Yapılandırma Kılavuzu* ve *CLI Başyuru Kılavuzu*'na bakın.

# Başlatma ve Yapılandırma: N1100-ON Serisi Anahtar

Aşağıdaki akış çizelgesi, anahtar paketinden çıkarılıp monte edildikten sonra ilk yapılandırmayı gerçekleştirmek için kullanacağınız adımlara genel bir bakış sağlar.

Şekil 1-7. Montaj ve Yapılandırma Akış Çizelgesi



## N1100-ON Serisi Anahtarı Bir Terminale Bağlama

Tüm dış bağlantıları tamamladıktan sonra anahtarı bir terminale bağlayarak yapılandırın.



**NOT:** Devam etmeden önce bu ürünün Sürüm Notlarını okuyun. Sürüm Notlarını [dell.com/support](http://dell.com/support) adresindeki Dell Destek web sitesinden indirebilirsiniz.



**NOT:** Dell, [dell.com/support](http://dell.com/support) adresindeki Dell Destek web sitesinden en güncel kullanıcı belgelerini edinmenizi tavsiye eder.

Anahtarı USB konsolu üzerinden izlemek ve yapılandırmak üzere, ürünle birlikte verilen USB kablosu ile VT100 terminal öykünme yazılımı çalıştıran bir bilgisayara bağlamak için anahtarın ön panelindeki konsol bağlantı noktasını kullanın. USB kablosu ilk defa kullanılacağı zaman bir sürücü indirip yüklemek gerekli olabilir.

Konsol bağlantı noktasını kullanmak için aşağıdaki ekipmanlar gerekir:

- HyperTerminal® ve USB sürücüsü gibi VT100 terminal öykünme yazılımını çalıştıran, USB bağlantı noktasına sahip bir VT100 uyumlu bilgisayar.
- Konsol bağlantı noktası ve konak bilgisayarın USB konektörü için ürünle birlikte verilen B tipi USB konektörüne sahip USB kablo.

Terminali anahtar konsolu bağlantı noktasına bağlamak için aşağıdaki adımları gerçekleştirin:

- 1** USB B tipi konektörü, ürünle birlikte verilen anahtara bağlayın ve diğer ucunu ise VT100 terminal öykünüm yazılımı çalıştıran bir bilgisayara bağlayın.
- 2** Terminal öykünme yazılımını aşağıdaki şekilde yapılandırın:
  - a** Konsolu bağlamak üzere uygun seri bağlantı noktasını (örneğin, COM 1) seçin.
  - b** Veri hızını 115.200 baud'a ayarlayın.
  - c** Veri biçimini 8 data bits, 1 stop bit ve no parity olarak ayarlayın.
  - d** Akış kontrolünü yok seçeneğine ayarlayın.
  - e** Terminal öykünme modunu **VT100** seçeneğine ayarlayın.
  - f** İşlev, Ok ve Ctrl tuşları için Terminal tuşlarını seçin. Ayarın Terminal tuşları için olduğunu doğrulayın (Microsoft Windows tuşları için değil)

- 3 USB B tipi konektörü doğrudan anahtar konsolu bağlantı noktasındaki kabloya bağlayın. Dell Networking konsol bağlantı noktası, ön panelin sağ tarafındadır ve |O|O| sembolüyle etiketlenmiştir.



**NOT:** Yığın yöneticisine konsol erişimi, yerel CLI üzerinden herhangi bir konsol bağlantı noktası ile gerçekleştirilebilir. Oturum sırasında sadece bir USB konsolu desteklenir.

## N1100-ON Serisi Bir Anahtarı Güç Kaynağına Bağlama



**DİKKAT:** *Güvenlik ve Mevzuat Bilgileri* kılavuzundaki güvenlik bilgilerinin yanı sıra anahtarı bağlayan veya destekleyen diğer anahtarların güvenlik bilgilerini okuyun.

N1108T-ON ve N1108P-ON modellerinde bir adet dahili güç kaynağı bulunur. Güç yuvası arka paneldedir. N1108EP-ON, harici bir DC güç adaptörü kullanır. Harici DC güç adaptörü

### AC ve DC Güç Bağlantısı

- 1 Anahtar konsolu bağlantı noktasının, USB aracılığıyla USB B Tipi kablo ile VT100 terminal öykünücüsü çalıştıran bir bilgisayara bağlandığından emin olun.
- 2 Güvenli topraklama bağlıken 5 fut (1,5 m) uzunluğunda standart güç kablosu kullanarak güç kablosunu arka panelde bulunan AC ana yuvasına bağlayın.  
PoE model anahtarlar, anahtar güç yuvası için çentikli konektöre sahip bir ağır hizmet güç kablosuna sahiptir. Bu tür kablo kullanımı, PoE özellikli anahtarlar için zorunludur.
- 3 Güç kablosunu topraklı bir AC prizine bağlayın.



## N1100-ON Serisi Anahtarı Başlatma

Güç yerel terminal bağlıyken açıldığında, anahtar güç açıkken kendi kendine test etme (POST) işlemini gerçekleştirir. POST, anahtar her başlatıldığında çalışır ve önyüklemeden önce anahtarın tamamen çalışır durumda olup olmadığını belirlemek için donanım bileşenlerini denetler. POST kritik bir sorun algırsa program akışı durur. POST başarılı bir şekilde tamamlanırsa geçerli donanım yazılımı RAM'e yüklenir. Testin başarılı veya başarısız olduğunu gösteren POST mesajları terminalde görüntülenir. Önyükleme işlemi yaklaşık 60 saniye sürer.

POST işleminin ilk kısmı tamamlandıktan sonra **Önyükleme** menüsünü çağırabilirsiniz. **Önyükleme** menüsünden şunları yapabilirsiniz: sistemi fabrika varsayılanlarına sıfırlama, yedekleme görüntüsünü etkinleştirme veya parola kurtarma gibi yapılandırma görevleri. **Önyükleme** menü işlevleri hakkında daha fazla bilgi almak için *CLI Başvuru Kılavuzuna* bakın.

# N1100-ON Serisi İlk Yapılandırmayı Gerçekleştirme

İlk yapılandırma prosedürü, aşağıdaki varsayımlara dayanır

- Dell Networking anahtar daha önce hiç yapılandırılmamıştır.
- Dell Networking anahtar önyüklemesi başarılıdır.
- Konsol bağlantısı kuruludur ve **Dell Kolay Kurulum Sihirbazı** istemi, terminal öykünme yazılımı çalıştıran bir bilgisayarın ekranında görüntülenir.

İlkan anahtar yapılandırması, konsol bağlantı noktası aracılığıyla gerçekleştirilir. İlk yapılandırmadan sonra, anahtarı bağlı olan konsol bağlantı noktasından veya ilk yapılandırma sırasında belirlenen bir arabirim üzerinden uzaktan yönetebilirsiniz.



**NOT:** Anahtar, varsayılan bir kullanıcı adı, parola veya IP adresi ile yapılandırılmaz.

Anahtarın ilk yapılandırmasını gerçekleştirmeden önce ağ yöneticinizden aşağıdaki bilgileri edinin:

- Yönetim arabirimine atanacak IP adresi.
- Ağ için IP alt ağ maskesi.
- Yönetim arabirimi varsayılan ağ geçidinin IP adresi.

Bu ayarlar, Telnet (Telnet istemcisi) veya HTTP (Web tarayıcısı) üzerinden anahtarın uzaktan yönetimine izin vermek için gereklidir.

## Uzaktan Yönetimi Etkinleştirme

N1100-ON Serisi anahtarlarda, bant içi yönetim için ön paneldeki anahtar bağlantı noktalarından herhangi birini kullanabilirsiniz. Varsayılan olarak, tüm bant içi bağlantı noktaları VLAN 1 üyesidir.

**Dell Kolay Kurulum Sihirbazı**, N1100-ON Serisi anahtarlarındaki VLAN 1 arabirimi ağ bilgilerini yapılandırma istemleri içerir. Bilgileri atamak için statik IP adresi veya alt ağ maskesi atayabilir veya DHCP'yi etkinleştirip ağ DHCP sunucusuna izin verebilirsiniz.

Ağ bilgilerini yapılandırmak için *CLI Başyuru Kılavuzundaki* komutlara bakın.

## İlk Yapılandırma Prosedür

İlk yapılandırmayı gerçekleştirmek için **Dell Kolay Kurulum Sihirbazı** veya CLI kullanın. Anahtar yapılandırma dosyası boş olduğunda sihirbaz otomatik olarak başlar. Sihirbazdan çıkmak için herhangi bir noktada [Ctrl+z] kombinasyonunu kullanın ancak belirtilen tüm yapılandırma ayarları göz ardı edilir ve anahtar varsayılan değerleri kullanır.



**NOT: Dell Kolay Kurulum Sihirbazı** sihirbazını çalıştırmazsanız veya Kolay Kurulum Sihirbazı isteğine 60 saniye içinde yanıt vermezseniz anahtar CLI moduna geçer. **Dell Kolay Kurulum Sihirbazı** sihirbazına dönmek için anahtarı boş bir başlangıç yapılandırmasıyla sıfırlamanız gerekir.

CLI kullanarak ilk yapılandırmayı gerçekleştirme hakkında daha fazla bilgi almak için *CLI Başvuru Kılavuzuna* bakın. Bu *Başlangıç Kılavuzu*, ilk anahtar yapılandırmasını gerçekleştirmek için **Dell Kolay Kurulum Sihirbazı** sihirbazının nasıl kullanılacağını gösterir. Sihirbaz, anahtarı aşağıdaki yapılandırma ile ayarlar:

- Geçerli bir parolaya sahip ilk ayrıcalıklı kullanıcı hesabını belirler. Sihirbaz, kurulum sırasında bir ayrıcalıklı kullanıcı hesabı yapılandırır.
- Yalnızca yerel kimlik doğrulama ayarını kullanmak için CLI oturum açma işlemi ve HTTP erişimini etkinleştirir.
- Bant içi bağlantı noktalarının üyesi olduğu VLAN 1 yönlendirme arabirimi için IP adresini ayarlar.
- Belirlenen bir IP adresinde SNMP yöneticisi tarafından kullanılacak SNMP topluluk dizisini ayarlar. Bu anahtar için SNMP yönetimi kullanılmıyorsa bu adımı atlayın.
- Ağ yönetimi sistem IP adresini belirlemenize veya tüm IP adreslerinden yönetim erişimini engellemenize olanak tanır.
- VLAN 1 arabirimi için varsayılan ağ geçidi IP adresini yapılandırır.

## Örnek Oturum

Bu bölüm **Dell Kolay Kurulum Sihirbazı** oturumunu açıklar. Aşağıdaki değerler örnek oturum tarafından kullanılır:

- Kullanılacak SNMP topluluk dizesi: **genel**.
- Ağ yönetim sistemi (NMS) IP adresi: **10.1.2.100**.
- Kullanıcı adı **yönetici** ve parola **admin123**'tür.
- VLAN 1 yönlendirme arabiriminin IP adresi **255.255.255.0** alt ağ maskesi ile **10.1.1.200**'dür.
- Varsayılan ağ geçidi: **10.1.1.1**.

Kurulum sihirbazı, başlangıç değerlerini yukarıda tanımlandığı şekilde yapılandırır. Sihirbazı tamamladıktan sonra, anahtar aşağıdaki gibi yapılandırılır:

- SNMPv2 etkinleştirilir ve topluluk dizesi aşağıda tanımlandığı şekilde ayarlanır. SNMPv3 varsayılan olarak devre dışıdır.
- Yönetici kullanıcı hesabı, tanımlanan şekilde ayarlanır.
- Ağ yönetim sistemi yapılandırılır. SNMP, HTTP ve CLI arabirimlerine yönetim istasyonundan erişebilirsiniz. Tüm IP adreslerinin bu yönetim arabirimlerine erişmesine izin vermek için (0.0.0.0) IP adresini de seçebilirsiniz.
- VLAN 1 yönlendirme arabirimi için bir IP adresi yapılandırıldı.
- Varsayılan bir ağ geçidi adresi yapılandırıldı.



**NOT:** Aşağıdaki örnekte, olası kullanıcı seçenekleri veya varsayılan değerler [ ] içinde gösterilir. Hiçbir seçenek belirlemeden <Enter> ögesine basarsanız varsayılan değer kabul edilir. Yardım metinleri parantez içinde görüntülenir.

## Dell Kolay Kurulum Sihirbazı Konsol Örneği

Aşağıdaki örnekte daha önce listelenen giriş değerlerini kullanarak örnek bir **Dell Kolay Kurulum Sihirbazı** oturumu çalıştırmayla ilgili istem ve yanıt dizisi bulunur.

Anahtar POST işlemini tamamlayıp önyükledikten sonra aşağıdaki diyalog görüntülenir:

```
Unit 1 - Waiting to select management unit)>
```

```
_____Dell SupportAssist EULA_____
```

```
I accept the terms of the license agreement. You can reject the license agreement by configuring this command 'eula-consent support-assist reject'.
```

```
By installing SupportAssist, you allow Dell to save your contact information (e.g. name, phone number and/or email address) which would be used to provide technical support for your Dell products and services Dell may use the information for providing recommendations to improve your IT infrastructure. Dell SupportAssist also collects and stores machine diagnostic information, which may include but is not limited to configuration information, user supplied contact information, names of data volumes, IP addresses, access control lists, diagnostics & performance information, network configuration information, host/server configuration & performance information and related data (Collected Data) and transmits this information to Dell. By downloading SupportAssist and agreeing to be bound by these terms and the Dell end user license agreement, available at: http://www.dell.com/aeula, you agree to allow Dell to provide remote monitoring services of your IT environment and you give Dell the right to collect the Collected Data in accordance with Dell's Privacy Policy, available at: http://www.dell.com/privacypolicycountryspecific, in order to enable the performance of all of the various functions of SupportAssist during your entitlement to
```

receive related repair services from Dell. You further agree to allow Dell to transmit and store the Collected Data from SupportAssist in accordance with these terms. You agree that the provision of SupportAssist may involve international transfers of data from you to Dell and/or to Dell's affiliates, subcontractors or business partners. When making such transfers, Dell shall ensure appropriate protection is in place to safeguard the Collected Data being transferred in connection with SupportAssist. If you are downloading SupportAssist on behalf of a company or other legal entity, you are further certifying to Dell that you have appropriate authority to provide this consent on behalf of that entity. If you do not consent to the collection, transmission and/or use of the Collected Data, you may not download, install or otherwise use SupportAssist.

\_\_\_\_\_AeroHive HiveManager NG EULA\_\_\_\_\_

This switch includes a feature that enables it to work with HiveManager (an optional management suite), by sending the switch's service tag number and IP Address to HiveManager to authenticate your entitlement to use HiveManager. If you wish to disable this feature, you should run command 'eula-consent hiveagent reject' immediately upon powering up the switch for the first time, or at any time thereafter.

Applying Global configuration, please wait...

Welcome to Dell Easy Setup Wizard

The setup wizard guides you through the initial switch configuration, and gets you up and running as quickly as possible. You can skip the setup wizard, and enter CLI mode to manually configure the switch. You must respond to the next question to run the setup wizard within 60 seconds, otherwise the system will continue

with normal operation using the default system configuration. Note: You can exit the setup wizard at any point by entering [ctrl+z].

Would you like to run the setup wizard (you must answer this question within 60 seconds)? [Y/N] **y**

Step 1:

The system is not set up for SNMP management by default. To manage the switch using SNMP (required for Dell Network Manager) you can

- . Set up the initial SNMP version 2 account now.
- . Return later and set up other SNMP accounts. (For more information on setting up an SNMP version 1 or 3 account, see the user documentation).

Would you like to set up the SNMP management interface now? [Y/N] **y**

To set up the SNMP management account you must specify the management system IP address and the "community string" or password that the particular management system uses to access the switch. The wizard automatically assigns the highest access level [Privilege Level 15] to this account. You can use Dell Network Manager or other management interfaces to change this setting, and to add additional management system information later. For more information on adding management systems, see the user documentation.

To add a management station:

Please enter the SNMP community string to be used.

[public]: **public**



**NOT:** Yapılandırılmışsa varsayılan erişim seviyesi, SNMP yönetim arabirimi için mevcut olan en yüksek erişim seviyesine ayarlanır. Başlangıçta sadece SNMPv2 etkinleştirilir. SNMPv3 güvenlik erişimini yapılandırmaya dönene kadar (ör. motor kimliği, görünümü vb.) SNMPv3 devre dışı bırakılır.

Please enter the IP address of the Management System (A.B.C.D) or wildcard (0.0.0.0) to manage from any Management Station. [0.0.0.0]: **10.1.2.100**

## Step 2:

Now we need to set up your initial privilege (Level 15) user account. This account is used to login to the CLI and Web interface. You may set up other accounts and change privilege levels later. For more information on setting up user accounts and changing privilege levels, see the user documentation.

To set up a user account:

```
Please enter the user name. [root]:admin
Please enter the user password: *****
Please reenter the user password: *****
```

## Step 3:

Next, an IP address is set up on the VLAN 1 routing interface.

You can use the IP address to access the CLI, Web interface, or SNMP interface of the switch.

To access the switch through any Management Interface you can

- . Set up the IP address for the Management Interface.
- . Set up the default gateway if IP address is manually configured on the routing interface.

## Step 4:

Would you like to set up the VLAN1 routing interface now? [Y/N] **y**

```
Please enter the IP address of the device (A.B.C.D) or
enter "DHCP" (without the quotes) to automatically
request an IP address from the network DHCP server:
10.1.1.200
```

```
Please enter the IP subnet mask (A.B.C.D or /nn):
255.255.255.0
```

## Step 5:



Finally, set up the default gateway. Please enter the IP address of the gateway from which this network is reachable. [0.0.0.0]: **10.1.1.1**

This is the configuration information that has been collected:

```
SNMP Interface = "public"@10.1.2.100
User Account setup = admin
Password = *****
VLAN1 Router Interface IP = 10.1.1.200 255.255.255.0
Default Gateway = 10.1.1.1
```

Step 6:

If the information is correct, please enter (Y) to save the configuration and copy the settings to the start-up configuration file. If the information is incorrect, enter (N) to discard the configuration and restart the wizard: [Y/N] **y**

Thank you for using the Dell Easy Setup Wizard. You will now enter CLI mode.

Applying Interface configuration, please wait...

## Sonraki Adımlar

Bu bölümde açıklanan ilk yapılandırmayı tamamladıktan sonra bant içi uzaktan yönetim için herhangi bir ön panel anahtarı bağlantı noktasını üretim ağına bağlayın.

VLAN 1 yönetim arabirimi IP adresi için DHCP belirttiyseniz arabirim, IP adresini ağ üzerindeki bir DHCP sunucusundan alacaktır. Dinamik olarak atanmış IP adresini bulmak üzere aşağıdaki komutu çalıştırmak için konsol bağlantı noktası bağlantısını kullanın:

- VLAN 1 yönlendirme arabirimi için şunu girin **show ip interface**.

Dell OpenManage Anahtar Yönetimi arabirimine erişmek için VLAN 1 yönetim arabirimi IP adresini Web tarayıcısındaki adres alanına girin. CLI'ye uzaktan yönetim erişimi için VLAN 1 yönetim arabirimi IP adresini Telnet veya SSH istemcisine girin. Alternatif olarak, anahtara yerel CLI erişimi için konsol bağlantı noktasını kullanmaya devam edin.

N1100-ON Serisi anahtarlar, VLAN ve kapsama ağaç protokolü gibi temel özellikleri destekler. Ağınızın gerektirdiği özellikleri yapılandırmak için Web tabanlı yönetim arabirimini veya CLI'yi kullanın. Anahtar özelliklerini yapılandırma hakkında bilgi için [dell.com/support](http://dell.com/support) adresindeki destek sitesinden *Kullanıcı Yapılandırma Kılavuzu* veya *CLI Başyuru Kılavuzu*'na bakın.

# Ajans uyumluluđu

N1108T-ON, N1108P-ON, N1108EP-ON, N1124T-ON, N1124P-ON, N1148T-ON ve N1148P-ON anahtarları ařađıdaki gvenlik ve kurum gereksinimlerine uygundur:

## Avrupa Birliđi EMC direktifi uyumluluk beyanı

Bu rn, ye Devletlerin elektromanyetik uyumlulukla ilgili yasalarının yakınlařtırılmasıyla ilgili 2004/30/EC sayılı AB Konseyi Direktifinin koruma gereklilikleri ile uyumludur. Dell EMC, Dell EMC olmayan seenek kartlarının takılması da dahil olmak zere, bu rnn tavsiye edilmeyen bir řekilde deđiřtirilmesinden kaynaklanan koruma gerekliliklerini yerine getirememesi konusunda sorumluluk kabul edemez.

Bu rn test edilmiř ve CISPR 32/CISPR34 ve EN55032/EN55034 uyarınca A Sınıfı Bilgi Teknolojisi Ekipmanı sınırlarına uygun olduđu tespit edilmiřtir. A Sınıfı ekipman iin limitler, lisanslı iletiřim ekipmanlarıyla parazitlere karřı makul derecede koruma sađlamak amacıyla ticari ve endstriyel ortamlar baz alınarak belirlenmiřtir.

**UYARI: Bu bir Sınıf A rndr. Ev ortamında, bu cihaz radyo parazetine neden olabilir, bu durumda gerekli nlemleri almanız gerekebilir.**

Avrupa Topluluđu İletiřim Bİlgileri:

Dell EMC, EMEA - Central

Dahlienweg 19

66265 Heusweiler

Almanya

Tel: +49 172 6802630

E-posta: EMEA Merkez Satıř

## Hindistan uygunluk sertifikası

rn, *Telekomnikasyon Mhendisliđi Merkezi (TEC) ynetmeliđinin ilgili Temel Gerekliliklerine* uygundur.

## Güvenlik standartları ve uyum ajansı sertifikaları

- IEC 62368-1, 2. Sürüm
- CUS UL 60950-1, 2. Sürüm
  - UL 60950-1 uyarınca Hipot ve Toprak Sürekliliği testini karşılar veya aşar.
- AS/NZS 60950
- CSA 60950-1-03, 2. Sürüm
- EN 60950-1, 2. Sürüm
- EN 60825-1, 1. Sürüm
- EN 60825-1 Lazer Ürünlerinin Güvenliği — Bölüm 1: Ekipman Sınıflandırma Gereklilikleri ve Kullanıcı Kılavuzu
- EN 60825-2 Lazer Ürünlerinin Güvenliği — Bölüm 2: Optik Fiber Haberleşme Sistemlerinin Güvenliği
- FDA Yönetmeliği 21CFR 1040.10 ve 1040.11
- IEC 60950-1, 2. Sr., tüm Ulusal Sapmalar ve Grup Farklılıkları dahil

## Elektromanyetik uyumluluk

### Emisyonlar

- Uluslararası: CISPR 32: A Sınıfı
- Avustralya/Yeni Zelanda: AS/NZS CISPR 32, A Sınıfı
- Kanada: ICES-003, Basım-4, A Sınıfı
- Avrupa: EN55032:2015 (CISPR 32), A Sınıfı
- EN55032
- Japonya: VCCI A Sınıfı
- Kore: KN32, A Sınıfı
- Tayvan: CNS13438, A Sınıfı
- ABD: FCC CFR47 Bölüm 15, Alt Bölüm B, A Sınıfı

## Bağışıklık

- Ağ EKipmanı için EN 300 386 EMC
- EN 55024
- EN 61000-3-2 Harmonik Akım Emisyonları
- EN 61000-3-3 Voltaj Dalgalanmaları ve Titreşim
- EN 61000-4-2 ESD
- EN 61000-4-3 Yayılan Bağışıklık
- EN 61000-4-4 EFT
- EN 61000-4-5 Dalgalanma
- EN 61000-4-6 Düşük Frekans İletilen Bağışıklık

## Ürünün geri dönüşümü ve atılması

Bu sistemi geçerli yerel ve ulusal düzenlemelere göre geri dönüştürmeniz veya atmanız gerekir. Dell EMC, bilgi teknolojisi (BT) ekipman sahiplerini, artık ihtiyaç duyulmadığında ekipmanlarını sorumlu bir şekilde geri dönüştürmeleri konusunda teşvik eder. Dell EMC, ekipman sahiplerinin BT ürünlerini geri dönüştürmelerine yardımcı olmak için çeşitli ülkelerde çeşitli ürün iade programları ve hizmetleri sunar.

## BT ve telekomünikasyon ürünlerinin geri kazanımı, geri dönüşümü ve yeniden kullanımı için Atık Elektrikli ve Elektronik Ekipman (WEEE) direktifi

Dell EMC anahtarları atık elektrikli ve elektronik teçhizata (WEEE) ilişkin 2002/96/EC Avrupa Direktifi uyarınca etiketlenmiştir. Direktif, Avrupa Birliği genelinde geçerli olan kullanılmış aletlerin iadesi ve geri dönüşümü için çerçeveyi belirler. Bu etiket, ürünün atılmayacağını, bunun yerine bu Direktif uyarınca kullanım ömrünün sonuna kadar geri kazanılacağını göstermek için çeşitli ürünlere uygulanır.

**Şekil 1-8. Avrupa WEEE sembolü**



Avrupa WEEE Direktifi uyarınca, elektrikli ve elektronik ekipman (EEE) ayrıca toplanmalı ve kullanım sonunda geri dönüştürülmeli veya kullanım ömrü sonunda geri kazanılmalıdır. Yukarıda gösterildiği gibi, WEEE Direktifi Ek IV uyarınca WEEE işaretine sahip EEE kullanıcıları, kullanım ömrü sona eren EEE'yi sıralanmamış belediye atığı olarak atmamalıdır, ancak WEEE'nin iadesi, geri dönüşümü ve geri kazanımı için müşterilere sunulan toplama çerçevesini kullanmalıdır. Müşterinin katılımı, EEE'de tehlikeli maddelerin mevcut olması nedeniyle EEE'nin çevre ve insan sağlığı üzerindeki olası etkilerini en aza indirmek için önemlidir.

WEEE'nin kapsamına giren Dell EMC ürünleri, WEEE'nin gerektirdiği şekilde yukarıda gösterildiği gibi, çarpı işaretli tekerlekli çöp kutusu simgesi ile etiketlenmiştir.

Dell EMC ürün geri dönüşüm teklifleri hakkında bilgi için, Destek sayfasındaki WEEE Geri Dönüşüm talimatlarına bakın. Daha fazla bilgi için, Dell EMC Teknik Yardım Merkezi ile iletişim kurun.





Dell Networking  
N1108T-ON/N1108P-ON/  
N1108EP-ON/N1124T-ON/  
N1124P-ON/N1148T-ON/  
מתגים N1148P-ON  
**מדריך תחילת עבודה**





## הערות, התראות ואזהרות

 **הערה:** "הערה" מציינת מידע חשוב לצורך שיפור השימוש במתג.

 **זהירות:** "התראה" מציינת נזק אפשרי לחומרה או אובדן נתונים, ומסבירה כיצד ניתן למנוע את הבעיה.

 **אזהרה:** "אזהרה" מציינת אפשרות של נזק לרכוש, פגיעה גופנית או מוות.

 **אזהרה עבור סוללת ליתיום:**

- קיימת סכנת התפוצצות אם החלפת הסוללה נעשית בצורה שגויה. יש להחליף את הסוללה רק בסוללה מאותו סוג או שוות ערך. יש להשליך את הסוללות בהתאם להוראות היצרן.
- השלכת סוללה לתוך אש או לתנור חם, ריסוק מכני או חיתוך שלה עלולים לגרום להתפוצצות.
- השארת סוללה בסביבה חמה במיוחד עלולה לגרום לדליפת נוזל או גז דליק או לפיצוץ.
- אם הסוללה חשופה ללחץ אוויר נמוך במיוחד, הדבר עלול לגרום לדליפת נוזל או גז דליק או לפיצוץ.
- ניתן להשתמש בהתקן אך ורק במיקום קבוע, כמו מעבדה או חדר מכונות. בעת התקנת ההתקן, ודא שחיבור ההארקה המגן של השקע-תקע נבדק ואושר על-ידי אדם מיומן.

---

© 2019 Dell Inc. או חברות הבת שלה. כל הזכויות שמורות. מוצר זה מוגן על ידי כל החוקים בארה"ב והחוקים הבינלאומיים להגנה על זכויות יוצרים וקניין רוחני. Dell והלוגו של Dell הם סימנים מסחריים של חברת Dell Inc. בארה"ב ו/או בתחומי שיפוט אחרים. כל הסימנים האחרים והשמות המוזכרים במסמך זה עשויים להיות סימנים מסחריים בבעלות החברות שלהן, בהתאמה.

דגמי תקינה: E17W ו-E18W

מאי 2019 Y7208 P/N מהדורה. A01

# תוכן עניינים


229	מבוא	1
229	<b>N1100-ON Series סקירת החומרה</b>	
	צריכת חשמל עבור מתגי PoE N1100-ON	
229	Series	
231	מערכת האוורור	
231	<b>N1100-ON Series סיכום דגם</b>	
	<b>התקנת /N1108T-ON/N1108P-ON</b>	<b>2</b>
232	N1108EP-ON	
	הרכבת המתג N1108T-ON/N1108P-ON	
232	באמצעות מגש כפול של Dell	
	הרכבה של N1108T-ON/N1108P-ON/N1108EP-ON	
	בארון תקשורת של שני עמודים באמצעות	
233	תושבות L גדולות	
234	הרכבה של כל מתגי N11xx-ON על הקיר	
	<b>התקנה של /N1124T-ON/N1124P-ON</b>	<b>3</b>
237	N1148T-ON/ N1148P-ON	
	הרכבה בארון תקשורת של מתג /N1124T-ON	
237	N1124P-ON/ N1148T-ON/ N1148P-ON	
237	התקנה במעמד	
238	התקנת המתג כיחידה עצמאית	
	סידור בערימה של מספר מתגי /N1124T-ON	
238	N1124P-ON/ N1148T-ON/ N1148P	

	4	הפעלה וקביעת תצורה של
239	.....	N1100-ON Series המתג
240	.....	חיבור N1100-ON Series המתג למסוף
241	.....	N1100-ON Series חיבור מתג למקור חשמל
241	.....	חיבור מתח AC ו-DC
242	.....	אתחול N1100-ON Series המתג
243	.....	ביצוע N1100-ON Series הגדרת התצורה הראשונית
243	.....	הפעלת ניהול מרחוק
244	.....	נוהל לקביעת תצורה ראשונית
245	.....	הפעלה לדוגמה
246	.....	אשף Dell Easy Setup דוגמת מסוף
250	.....	השלבים הבאים
252	.....	5 תאימות לסוכנות





במסמך זה מובא מידע בסיסי לגבי המתגים Dell Networking N1100-ON Series, כולל אופן ההתקנה של המתג וקביעת התצורה הראשונית. לקבלת מידע לגבי אופן ההגדרה והניטור של תכונות המתג, *User Configuration Guide* (המדריך למשתמש להגדרת תצורה), שניתן למצוא באתר התמיכה Dell Support, בכתובת [dell.com/support](http://dell.com/support). עיין באתר התמיכה לקבלת העדכונים האחרונים על תיעוד וקושחה.

**הערה:**  למנהלי מערכות המשתמשים בבורר מתג מומלץ לעדכן את מתגי Dell Networking שלהם לגרסה העדכנית ביותר של מערכת ההפעלה Dell Networking (DNOS). Dell Networking משפר עוד ועוד את התכונות והפונקציות של DNOS בהתבסס על משוב ממך, הלקוח. לתשתית קריטית, מומלצת היערכות מראש של ההפצה החדשה לחלק לא קריטי של הרשת, כדי לוודא את התצורה ואופן הפעולה של הרשת באמצעות גרסת DNOS חדשה.

## N1100-ON Series סקירת החומרה

סעיף זה כולל מידע על תכונות ההתקן ועל תצורות חומרה מודולריות עבור המתג Dell N1100-ON Series Networking.

**הערה:** השימוש במתג N1108EP-ON דורש מתאם חשמל חיצוני. אין ערכת הרכבה זמינה עבור מתאם חשמל חיצוני ל-N1108EP-ON. בעת התקנת ה-N1108EP-ON, הנח את מתאם החשמל החיצוני הרחוק מהמתג.

### צריכת חשמל עבור מתגי PoE N1100-ON Series

טבלה 1-1 מתאר את צריכת החשמל עבור N1100-ON Series מתגי PoE. תקציב צריכת החשמל (הקצאת הספקים) של PoE הוא 60 ואט עבור N1108P-ON, 123 ואט עבור N1108EP-ON, 185 ואט עבור N1124P-ON ו-370 ואט עבור N1148P-ON.

טבלה 1-1. צריכת חשמל עבור מתגי PoE N1100-ON Series

Model	מתח כניסה	תצורת ספק כוח	צריכת זרם יציב מרבית (אמפר)	מתח יציב מרבי (ואט)
N1108P-ON	100 וולט/ 60 הרץ	יחידת ספק כוח ראשית	0.95A	88.64 ואט
	110 וולט/ 60 הרץ	יחידת ספק כוח ראשית	0.87A	88.43 ואט
	120 וולט/ 60 הרץ	יחידת ספק כוח ראשית	0.80A	88.22 ואט
	220 וולט/ 50 הרץ	יחידת ספק כוח ראשית	0.49A	89.28 ואט
	240 וולט/ 50 הרץ	יחידת ספק כוח ראשית	0.45A	89.70 ואט

מתח כניסה	תצורת ספק כוח	צריכת זרם יציב (מרבית (אמפר)	מתח יציב (מרבי (ואט)	Model
100 וולט/ 60 הרץ	מתאם חשמל חיצוני 54VDC	1.62A	157W	N1108EP-ON
110 וולט/ 60 הרץ	מתאם חשמל חיצוני 54VDC	1.47A	157W	
120 וולט/60 הרץ	מתאם חשמל חיצוני 54VDC	1.35A	157W	
220 וולט/ 50 הרץ	מתאם חשמל חיצוני 54VDC	0.74A	157W	
240 וולט/ 50 הרץ	מתאם חשמל חיצוני 54VDC	0.67A	157W	
100 וולט/ 60 הרץ	יחידת ספק כוח ראשית	2.66A	260.66 ואט	N1124P-ON
110 וולט/ 60 הרץ	יחידת ספק כוח ראשית	2.38A	257.95 ואט	
120 וולט/ 60 הרץ	יחידת ספק כוח ראשית	2.16A	256.27 ואט	
220 וולט/ 50 הרץ	יחידת ספק כוח ראשית	1.18A	250.52 ואט	
240 וולט/ 50 הרץ	יחידת ספק כוח ראשית	1.10A	251.25 ואט	
100 וולט/60 הרץ	יחידת ספק כוח ראשית	4.78A	476.03 ואט	N1148P-ON
110 וולט/60 הרץ	יחידת ספק כוח ראשית	4.32A	472.64 ואט	
120 וולט/60 הרץ	יחידת ספק כוח ראשית	3.95A	470.58 ואט	
220 וולט/50 הרץ	יחידת ספק כוח ראשית	2.14A	459.37 ואט	
240 וולט/50 הרץ	יחידת ספק כוח ראשית	1.97A	459.06 ואט	

## מערכת האוורור

מאוורר אחד מקרר את מתגי N1108T-ON/N1108P-ON, ושני מאווררים שמקררים את המתגים N1024T-ON/N1024P-ON/N1048T-ON/N1048P-ON. לא ניתן להחליף את המאווררים בשטח. N1108EP-ON הוא מתג ללא מאוורר.

## N1100-ON Series סיכום דגם

טבלה 2-1. N1100-ON Series מספרי תקינה של המתג

מספר סוג (RTN) תקינה	מספר דגם (RMN) תקינה	יחידת ספק הכוח (PSU)	תיאור	השם השיווקי של (MMN) הדגם
E17W001	E17W	DPS-24GP	10x1G/2x1G SFP יציאות	N1108T-ON
E17W001	E17W	/DPS-80AP DPS-24GP	10x1G/2x1G SFP/2xPoE+ יציאות	N1108P-ON
E48W001	E48W	ADP-280BR	8x1G PoE+/2x1G PD/2x1G SFP יציאות	N1108EP-ON
E18W001	E18W	DPS-40AP	24x1G/4x10G SFP+ יציאות	N1124T-ON
E18W001	E18W	EDPS-250BF	24x1G/4x10G SFP+/6xPoE+ יציאות	N1124P-ON
E18W002	E18W	DPS-60AP	48x1G/4x10G SFP+ יציאות	N1148T-ON
E18W002	E18W	YM-2501D	48x1G/4x10G SFP+/12xPoE+ יציאה	N1148P-ON



# התקנת /N1108T-ON/N1108P-ON N1108EP-ON

## הרכבת המתג N1108T-ON/N1108P-ON באמצעות מגש כפול של Dell

מחבר חשמל נמצא בלוח האחורי.

**⚠** אזהרה: קרא את מידע הבטיחות במידע הבטיחות והתקינה וכן את מידע הבטיחות עבור מתגים אחרים שמתחברים למתג או תומכים בו.

**⚠** אזהרה: אין להשתמש בערכות ההרכבה כדי לתלות את המתג מתחת לשולחן או כדי לחברו לקיר.

**⚠** זהירות: נתק את כל הכבלים מהמתג לפני שתמשיך. הסר את כל הרפידות הדביקות מתחתית המתג, אם הן הודבקו.

**⚠** זהירות: בעת התקנת מספר מתגים במעמד, הרכב את המתגים מהתחתית כלפי מעלה.

**1** הדק את המתג N1108T-ON/N1108P-ON לערכת המגש הכפול של Dell כפי שמוצג ב-איור 1-1.

**איור 1-1. ערכת מגש Tandem של Dell**



**2** הכנס את המתג לתוך ארון תקשורת בגודל 48.26 ס"מ (19 אינץ'), כשאתה מוודא שחורי ההרכבה בארון התקשורת שעל הערכה מיושרים אל מול חורי ההרכבה שבארון התקשורת.

**3** הדק את הערכה לארון התקשורת באמצעות בורגי ארון התקשורת או בורגי פרפר ובורגי פרפר עם דסקיות (בהתאם לסוג ארון התקשורת שברשותך). הדק את הברגים בחלק התחתון לפני שתהדק את הברגים בחלק העליון.

## הרכבה של N1108T-ON/N1108P-ON של N1108EP-ON בארון תקשורת של שני עמודים באמצעות תושבות L גדולות

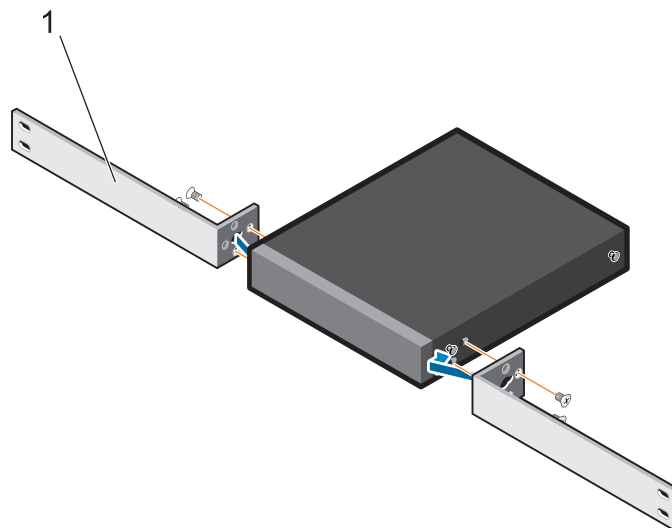
**הערה:** מחבר החשמל נמצא בלוח האחורי של המתגים N1108T-ON/N1108P-ON. מחבר החשמל עבור N1108EP-ON נמצא במרכז הלוח האחורי.

**הערה:** השימוש במתג N1108EP-ON דורש מתאם חשמל חיצוני. אין ערכת הרכבה זמינה עבור מתאם חשמל חיצוני ל-N1108EP-ON. בעת התקנת ה-N1108EP-ON, הנח את מתאם החשמל החיצוני הרחק מהמתג.

**זהירות:** מכיוון ש-N1108EP-ON הוא מתג ללא מאוורר, אל תניח את מתאם החשמל החיצוני על גבי המתג כדי למנוע התחממות יתר.

**1** מקם את תושבת ההרכבה בארון תקשורת שסופקה בצד אחד של המתג, כשאתה מוודא שחורי ההרכבה שעל המתג מיושרים אל מול חורי ההרכבה שבתושבת ההרכבה של ארון התקשורת. ראה פריט 1 ב-איור 2-1.

**איור 2-1. התקנה באמצעות ערכת תושבות L גדולות**



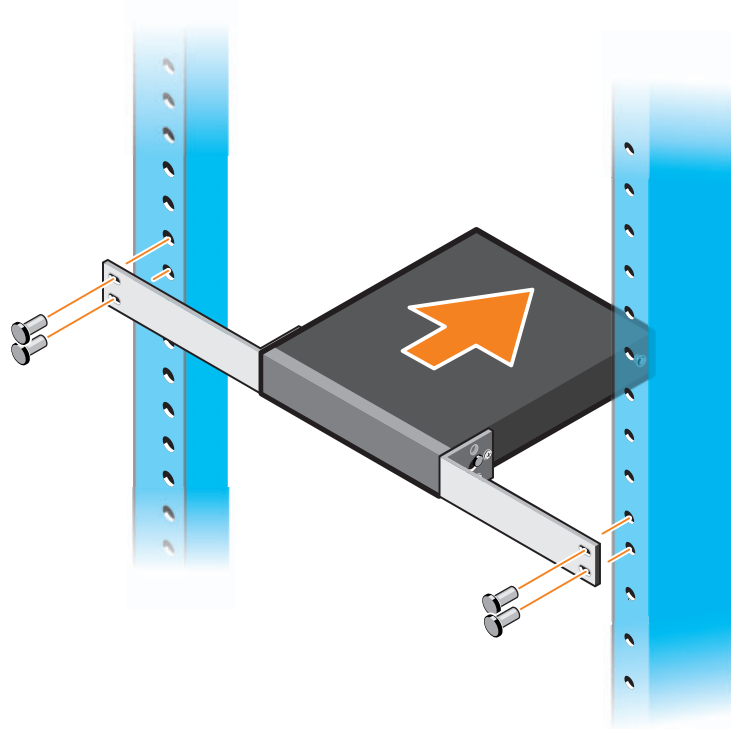
**2** הכנס את הברגים שסופקו לחורי ההרכבה שבארון התקשורת והדק בעזרת מברג.

**3** חזור על התהליך בצד השני של המתג.

**4** הכנס את מכלול המתג והמסילות לארון התקשורת מהחלק הקדמי של ארון התקשורת. ודא שחורי ההרכבה בארון התקשורת שבמתג מיושרים עם חורי ההרכבה שבארון התקשורת.

**5** הדק את המתג לארון התקשורת באמצעות בורגי ארון התקשורת. הדק את שני הברגים התחתונים לפני הברגים העליונים. ראה איור 3-1.

**איור 3-1. התקנה בארון תקשורת עם שני עמודים ותושבת L**



## הרכבה של כל מתגי N11x-ON על הקיר

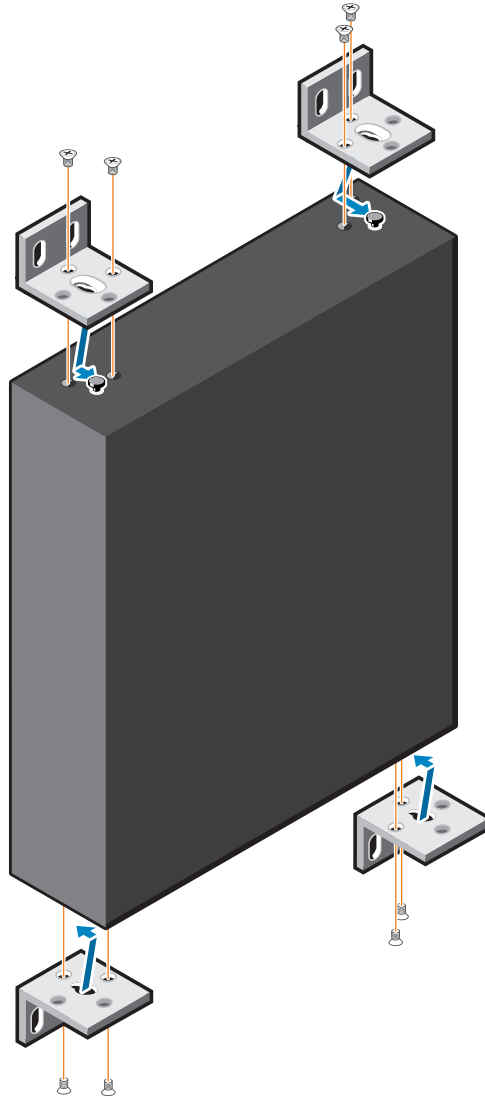
**1** ודא שמיקום ההתקנה עונה על הדרישות הבאות:

- פני הקיר יכולים לתמוך במתג.
- מקום ההתקנה מאוורר, כדי למנוע הצטברות חום.

**2** מקם בצד אחד של המתג את כן ההרכבה על הקיר שסופק, כשאתה מוודא שחורי ההרכבה שבמתג מיושרים אל מול חורי ההרכבה שבכך ההרכבה על הקיר.

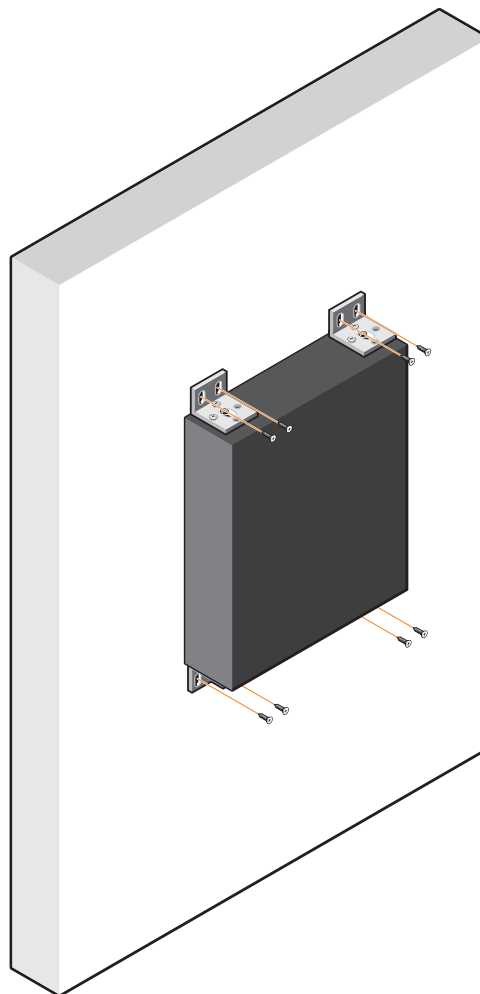
**3** הכנס את הברגים שסופקו לחורי תושבת ההרכבה על הקיר, והדק בעזרת מברג. ראה איור 4-1.

איור 4-1. הכנסת תושבות ההרכבה



- 4 חזור על התהליך עבור כן ההרכבה על הקיר בצד השני של המתג.
- 5 מקם את המתג על הקיר, במקום שבו תתבצע התקנת המתג.
- 6 סמן על הקיר את המקומות שבהם יש להכין את הברגים שיחזיקו את המתג.
- 7 במקומות שסימנת, קדח את החורים ומקם את כל שמונת הדיבלים המצורפים בחורים.
- 8 הכנס את הברגים שסופקו לחורים בתושבת ההרכבה על הקיר, והדק בעזרת מברג. ראה איור 5-1.

איור 1-5. הרכבה על קיר



# התקנה של N1124T-ON/N1124P-ON ON/N1148T-ON/ N1148P-ON

## הרכבה בארון תקשורת של מתג N1124T-ON N1124P-ON/ N1148T-ON/ N1148P-ON

**⚠** אזהרה: קרא את מידע הבטיחות במידע הבטיחות והתקינה וכן את מידע הבטיחות עבור מתגים אחרים שמתחברים למתג או תומכים בו.  
מחבר מתח AC נמצא בלוח האחורי של המתג.

### התקנה במעמד

**⚠** אזהרה: אין להשתמש בערכות ההרכבה כדי לתלות את המתג מתחת לשולחן או כדי לחברו לקיר.

**⚠** זהירות: נתק את כל הכבלים מהמתג לפני שתמשיך. הסר את כל הרפידות הדביקות מתחתית המתג, אם הן הודבקו.

**⚠** זהירות: בעת התקנת מספר מתגים במעמד, הרכב את המתגים מהתחתית כלפי מעלה.

**1** מקם את כן ההרכבה של ארון תקשורת שסופק בצד אחד של המתג, כשאתה מוודא שחורי ההרכבה שעל המתג מיושרים אל מול חורי ההרכבה שבכך ההרכבה של ארון התקשורת. איור 6-1 מציג באיור היכן להרכיב את התושבות.

איור 6-1. חיבור הכנים



- 2 הכנס את הברגים שסופקו לחורי ההרכבה שבארון התקשורת והדק בעזרת מברג.
- 3 חזור על התהליך עבור התושבת להרכבה בארון התקשורת בצד השני של המתג.
- 4 הכנס את המתג לתוך ארון תקשורת בגודל 48.26 ס"מ (19 אינץ'), כשאתה מוודא שחורי ההרכבה בארון התקשורת שעל התושבת מיושרים אל מול חורי ההרכבה שבארון התקשורת.

- 5 הדק את התושבת לארון התקשורת באמצעות בורגי ארון התקשורת או בורגי פרפר ובורגי פרפר עם דסקיות (בהתאם לסוג ארון התקשורת שברשותך). הדק את הברגים בחלק התחתון לפני שתהדק את הברגים בחלק העליון.

**זהירות:** ודא שהברגים שסופקו לארון התקשורת מתאימים לחורים שסומנו מראש בארון התקשורת.



**הערה:** ודא שחורי האוורור אינם חסומים.



## התקנת המתג כיחידה עצמאית

**הערה:** Dell מומלץ מאוד להרכיב את המתג בארון תקשורת.



התקן את המתג על משטח ישר, אם אינך מרכיב אותו במעמד. המשטח חייב להיות מסוגל לשאת את משקל המתג וכבלי המתג. המתג מסופק עם ארבעה משטחי גומי דביקים.

- 1 חבר את רפידות הגומי הדביקות לכל אחד מהמקומות המסומנים בתחתית המתג.
- 2 מקם את המתג על משטח שטוח וודא שיש לו אוורור ראוי בכך שתשאיר 5 ס"מ (2 אינץ') בכל צד ו-13 ס"מ (5 אינץ') בחלק האחורי.

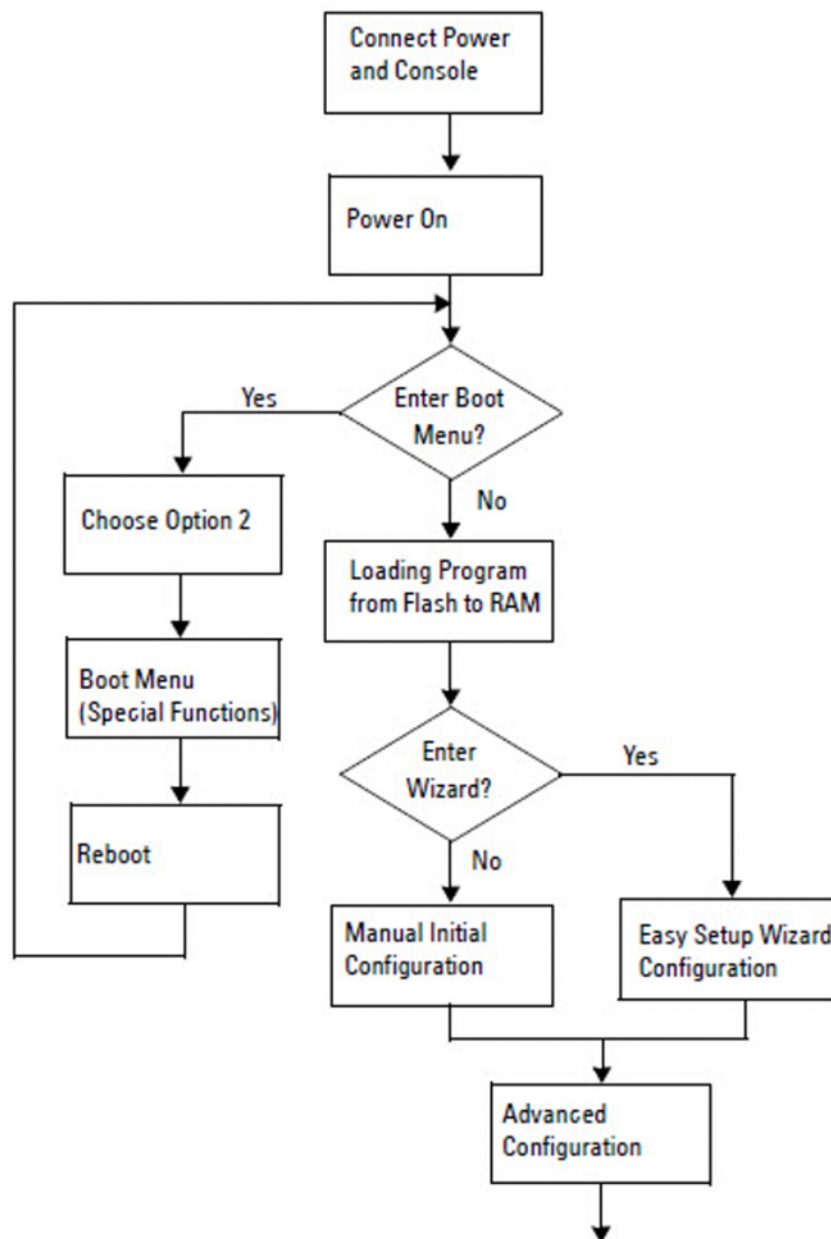
## סידור בערימה של מספר מתגי N1124T-ON/ N1124P-ON/ N1148T-ON/ N1148P

באפשרותך לסדר בערימה מתגי N1124T-ON/N1124P-ON/N1148T-ON עד 4 מתגים לגובה באמצעות יציאות 10G SFP+ בחלק הקדמי של המתג. היציאות חייבות להיות מוגדרות כך שיתמכו בסידור בערימה. כאשר מתגים מרובים מחוברים יחד באמצעות יציאות הסידור בערימה, הם פועלים כיחידה אחת עם עד 208 יציאות בלוח הקדמי. הערימה מתפקדת ומנוהלת כישות יחידה. עיין ב-*User Configuration Guide* (המדריך למשתמש להגדרת תצורה) וב-*CLI Reference Guide* (מדריך העזר ל-CLI (ממשק שורת הפקודה)) לקבלת מידע נוסף.

# הפעלה וקביעת תצורה של N1100-ON Series המתג

תרשים הזרימה הבא מספק סקירה של הצעדים שלפניהם תפעל כדי לבצע את הגדרת התצורה הראשונית לאחר הוצאת המתג מהאריזה והרכבתו.


איור 7-1. תרשים זרימה להתקנה והגדרת תצורה





# חיבור N1100-ON Series המתג למסוף

לאחר השלמת כל החיבורים החיצוניים, הגדרת את תצורת המתג על-ידי חיבור למסוף.

 **הערה:** קרא את הערות המוצר עבור מוצר זה לפני שתמשיך. ניתן להוריד את המידע על הגרסה מאתר התמיכה של Dell באינטרנט בכתובת [dell.com/support](http://dell.com/support).

 **הערה:** Dell ממליצה שתשיג את הגרסה העדכנית ביותר של תיעוד המשתמש מאתר התמיכה של Dell בכתובת [dell.com/support](http://dell.com/support).


כדי לנטר את המתג ולהגדיר את התצורה שלו באמצעות מסוף USB, השתמש ביציאת המסוף שנמצאת בלוח הקדמי של המתג כדי לחבר אותה למחשב עם תוכנה להדמיית מסוף VT100 באמצעות כבל ה-USB שסופק. ייתכן שיהיה צורך להוריד מנהל התקן ולהתקינו בשימוש הראשון של כבל ה-USB.

כדי להשתמש ביציאת המסוף, דרושים הרכיבים הבאים:


- מחשב תואם VT100 המחשב עם יציאת USB המפעיל תוכנת הדמיית מסוף VT100, כגון HyperTerminal® ומנהל התקן USB.
- כבל ה-USB שסופק עם מחבר USB type B עבור יציאת המסוף ומחבר USB עבור המחשב המארח.

בצע את המשימות הבאות לחיבור מסוף ליציאת המסוף של המתג:

- 1 חבר את מחבר USB type B במתג שסופק וחבר את הקצה השני למחשב שמפעיל תוכנת הדמיית מסוף VT100.
- 2 הגדר את תצורת תוכנת הדמיית המסוף באופן הבא:
  - a בחר את היציאה הטורית המתאימה (לדוגמה, COM 1) לחיבור מסוף הבקרה.
  - b הגדר את קצב השידור כ-115,200 baud.
  - c הגדר את תבנית הנתונים כך: 8 data bits, 1 stop bit, no parity.
  - d הגדר את בקרת הזרימה כללא.
  - e הגדר מצב הדמיית מסוף VT100.
  - f בחר מקשי מסוף עבור המקשים Function, Arrow ו-Ctrl. ודא שהגדרה היא עבור Terminal keys (לא עבור Microsoft Windows keys).
- 3 חבר את מחבר ה-USB type B של הכבל ישירות אל יציאת מסוף המתג. יציאת המסוף Dell Networking ממוקמת בצד ימין של הלוח הקדמי ומתויגת באמצעות הסמל |O|O|.

 **הערה:** גישת מסוף למנהל הסידור בערימה זמינה מכל יציאת מסוף באמצעות ה- CLI (ממשק שורת הפקודה) המקומי. רק הפעלת מסוף USB אחת נתמכת בכל פעם.

## N1100-ON Series חיבור מתג למקור חשמל

 **זהירות:** קרא את מידע הבטיחות במדריך מידע הבטיחות והתקינה וכן את מידע הבטיחות עבור מתגים אחרים שמתחברים למתג או תומכים בו.

לדגמים N1108T-ON ו-N1108P-ON יש ספק כוח פנימי אחד. שקע החשמל נמצא בלוח האחורי. השימוש ב-N1108EP-ON דורש מתאם חשמל חיצוני. מתאם החשמל החיצוני

### חיבור מתח AC ו-DC

- 1 ודא שיציאת מסוף המתג מחוברת למחשב שמפעיל הדמיית מסוף VT100 דרך USB לכבל USB Type B.
- 2 באמצעות כבל חשמל רגיל של 1.5 מטר (5 רגל) עם הארקת בטיחות מחוברת, חבר את כבל החשמל לשקע AC ראשי הממוקם בלוח האחורי. למתגים מדגם PoE יש כבל חשמל רציני עם מחבר מחורץ לשקע החשמל של המתג. חובה להשתמש בכבל מסוג זה עבור מתגים בעלי יכולת PoE.
- 3 חבר את כבל החשמל לשקע חשמל מוארק.

## אתחול N1100-ON Series המתג

כאשר החשמל מופעל והמסוף המקומי כבר מחובר, המתג עובר בדיקה עצמית בהפעלה (POST). (POST) פועל בכל פעם שהמתג מאותחל ובודק את רכיבי החומרה כדי לקבוע אם המתג פועל במלואו לפני אתחול מלא. אם POST מגלה בעיה קריטית, זרם התכנית יעצור. אם POST עובר בהצלחה, קושחה מאומתת מוטענת ל-RAM. ההודעות של POST מוצגות במסוף ומציינות הצלחה או כשל של הבדיקה. תהליך האתחול פועל למשך כ-60 שניות.

באפשרותך להפעיל את תפריט **האתחול** לאחר שהחלק הראשון של ה-POST הושלם. מתפריט **האתחול** באפשרותך לבצע הגדרת תצורה למשימות כגון איפוס המערכת להגדרות ברירת המחדל של היצרן, הפעלת תמונת הגיבוי או להשיג סיסמה מחדש. למידע נוסף בנוגע לפונקציות תפריט **האתחול** עיין ב-*CLI Reference Guide* (מדריך העזר ל-CLI (ממשק שורת הפקודה)).

# ביצוע N1100-ON Series הגדרת התצורה הראשונית

הליך הגדרת התצורה הראשונית מבוסס על ההנחות הבאות:

- מעולם לא הוגדרת תצורת המתג Dell Networking לפני כן.
- המתג Dell Networking אותחל בהצלחה.
- חיבור המסוף נוצר והנחיית **אשף Dell Easy Setup** מופיעה על המסך של מחשב שמפעיל תוכנת הדמיית מסוף.

הגדרת התצורה הראשונית של המתג שבוצעה היא באמצעות יציאת מסוף הבקרה. לאחר הגדרת התצורה הראשונית תוכל לנהל את המתג מיציאת מסוף הניהול שכבר מחובר או באמצעות חיבור מרוחק דרך ממשק שהוגדר במהלך הגדרת התצורה הראשונית.

 **הערה:** המתג אינו מוגדר באמצעות שם משתמש, סיסמה או כתובת IP המוגדרים כברירת מחדל.

לפני הגדרת התצורה הראשונית של המתג, השג את המידע הבא ממנהל המערכת של הרשת.

- כתובת ה-IP שיש להקצות לממשק הניהול.
  - מסיכת רשת המשנה של IP עבור הרשת.
  - כתובת ה-IP של שער ברירת המחדל של ממשק הניהול.
- הגדרות אלו דרושות כדי לאפשר ניהול מרוחק של המתג באמצעות Telnet (לקוח Telnet) או HTTP (דפדפן אינטרנט).

## הפעלת ניהול מרוחק


במתגי N1100-ON Series, באפשרותך להשתמש בכל אחת מיציאות המתג שבלוח הקדמי לניהול בתוך הרשת. כברירת מחדל, כל היציאות בתוך הרשת הן חברות של VLAN 1.

ה-**אשף Dell Easy Setup** כולל הפניות כדי להגדיר את תצורת מידע הרשת עבור ממשק VLAN 1 במתגי N1100-ON Series. באפשרותך להקצות כתובת IP סטטית ומסיכת רשת משנה או להפעיל DHCP ולאפשר שרת DHCP של רשת כדי להקצות את המידע.

עיון ב-*CLI Reference Guide* (מדריך העזר ל-CLI) (ממשק שורת הפקודה))  
לפקודות עבור הגדרת התצורה של מידע הרשת.

## נוהל לקביעת תצורה ראשונית

בצע את הגדרת התצורה הראשונית באמצעות **אשף Dell Easy Setup** או באמצעות CLI (ממשק שורת הפקודה). האשף מופעל באופן אוטומטי כאשר קובץ התצורה של המתג ריק. לצאת מהאשף בכל שלב על-ידי הקשה על [ctrl+z], אך כל הגדרות התצורה המפורטות יבוטלו, והמתג ישתמש בערכי ברירת המחדל.

 **הערה:** אם אינך מפעיל את **אשף Dell Easy Setup** או אינך מגיב להפניית אשף Easy Setup הראשונית בתוך 60 שניות, המתג נכנס למצב CLI (ממשק שורת הפקודה). עליך לאפס את המתג באמצעות הגדרת תצורת הפעלה ריקה על מנת להפעיל מחדש את **אשף Dell Easy Setup**.

לקבלת מידע נוסף בנוגע לביצוע הגדרת התצורה הראשונית באמצעות CLI (ממשק שורת הפקודה), עיין ב-*CLI Reference Guide (מדריך העזר ל-CLI) (ממשק שורת הפקודה)*. **מדריך לתחילת העבודה** זה מציג כיצד להשתמש ב-**אשף Dell Easy Setup** להגדרת תצורה ראשונית של המתג. האשף מגדיר את הגדרת התצורה הבאה במתג:

- יוצר חשבון משתמש בעל הרשאות ראשוניות עם סיסמה תקפה. האשף קובע תצורה של חשבון משתמש אחד בעל הרשאות במהלך ההתקנה.
- מפעיל כניסה ל-CLI (ממשק שורת הפקודה) וגישת HTTP כדי להשתמש בהגדרות האימות המקומיות בלבד.
- מגדיר את כתובת ה-IP עבור ממשק הניתוב VLAN 1, שכל היציאות בתוך הרשת חברות איתו.
- מגדיר את מחרוזת קהילת SNMP לשימוש עם מנהל SNMP בכתובת IP נתונה. דלג על שלב זה אם ניהול SNMP לא נמצא בשימוש במתג זה.
- מאפשר לך לציין את ה-IP של שרת הניהול או לאפשר גישת ניהול מכל כתובות ה-IP.
- קובע תצורה של כתובת ה-IP של שער ברירת המחדל עבור ממשק VLAN 1.

## הפעלה לדוגמה

סעיף זה מתאר הפעלה של **אשף Dell Easy Setup**. הערכים הבאים נמצאים בשימוש בהפעלה לדוגמה:

- מחרוזת הקהילה של SNMP שיש להשתמש בה היא **ציבורי**.
  - כתובת ה-IP של מערכת ניהול הרשת (NMS) היא **10.1.2.100**.
  - שם המשתמש הוא **admin**, והסיסמה היא **admin123**.
  - כתובת ה-IP עבור ממשק הניתוב VLAN 1 היא **10.1.1.200** עם מסיכת רשת משנה של **255.255.255.0**.
  - שער ברירת המחדל הוא **10.1.1.1**.
- אשף ההתקנה קובע את התצורה של הערכים ההתחלתיים המוגדרים לעיל. לאחר שפעולת האשף תושלם, תצורת המתג תהיה מוגדרת באופן הבא:
- SNMPv2 מופעל ומחרוזת הקהילה מוגדרת כפי שתואר לעיל. SNMPv3 מושבת כברירת מחדל.
  - חשבון המשתמש של מנהל המערכת מוגדר כפי שתואר.
  - תצורת מערכת ניהול רשת מוגדרת. מתחנת הניהול, תוכל לגשת לממשקי SNMP, HTTP ו-CLI (ממשק שורת הפקודה). תוכל לבחור לאפשר לכל כתובות ה-IP לגשת לממשקי ניהול אלה באמצעות בחירה בכתובת ה-IP (0.0.0.0).
  - תצורת כתובת IP מוגדרת עבור ממשק הניתוב VLAN 1.
  - תצורת כתובת שער כברירת מחדל מוגדרת.
- הערה:** בדוגמה הבאה, אפשרויות המשתמש האפשריות או ערכי ברירת המחדל מצורפות ב-[]]. אם תלחץ <Enter> ללא הגדרת אפשרויות, ערך ברירת המחדל יתקבל. טקסט העזרה הינו במאמר מוסגר.



## אשף Dell Easy Setup דוגמת מסוף

הדוגמה הבאה כוללת את רצף ההפניות והתגובות המשויכות להרצת דוגמה של הפעלת אשף Dell Easy Setup, באמצעות ערכי הכניסה שצוינו מוקדם יותר.

לאחר שהמתג השלים את ה-POST ואותחל, תיבת הדו-שיח הבאה תופיע:

```
Unit 1 - Waiting to select management unit)>
```

```
_____Dell SupportAssist EULA_____
```

```
I accept the terms of the license agreement. You can reject the license agreement by configuring this command 'eula-consent support-assist reject'.
```

```
By installing SupportAssist, you allow Dell to save your contact information (e.g. name, phone number and/or email address) which would be used to provide technical support for your Dell products and services Dell may use the information for providing recommendations to improve your IT infrastructure. Dell SupportAssist also collects and stores machine diagnostic information, which may include but is not limited to configuration information, user supplied contact information, names of data volumes, IP addresses, access control lists, diagnostics & performance information, network configuration information, host/server configuration & performance information and related data (Collected Data) and transmits this information to Dell. By downloading SupportAssist and agreeing to be bound by these terms and the Dell end user license agreement, available at: http://www.dell.com/aeula, you agree to allow Dell to provide remote monitoring services of your IT environment and you give Dell the right to collect the Collected Data in accordance with Dell's Privacy Policy, available at: http://www.dell.com/privacypolicycountryspecific, in order to enable the performance of all of the various functions of SupportAssist during your entitlement to receive related repair services from Dell. You further agree to allow Dell to transmit and store the
```

Collected Data from SupportAssist in accordance with these terms. You agree that the provision of SupportAssist may involve international transfers of data from you to Dell and/or to Dell's affiliates, subcontractors or business partners. When making such transfers, Dell shall ensure appropriate protection is in place to safeguard the Collected Data being transferred in connection with SupportAssist. If you are downloading SupportAssist on behalf of a company or other legal entity, you are further certifying to Dell that you have appropriate authority to provide this consent on behalf of that entity. If you do not consent to the collection, transmission and/or use of the Collected Data, you may not download, install or otherwise use SupportAssist.

\_\_\_\_\_AeroHive HiveManager NG EULA\_\_\_\_\_

This switch includes a feature that enables it to work with HiveManager (an optional management suite), by sending the switch's service tag number and IP Address to HiveManager to authenticate your entitlement to use HiveManager. If you wish to disable this feature, you should run command 'eula-consent hiveagent reject' immediately upon powering up the switch for the first time, or at any time thereafter.

Applying Global configuration, please wait...

Welcome to Dell Easy Setup Wizard

The setup wizard guides you through the initial switch configuration, and gets you up and running as quickly as possible. You can skip the setup wizard, and enter CLI mode to manually configure the switch. You must respond to the next question to run the setup wizard within 60 seconds, otherwise the system will continue with normal operation using the default system configuration. Note: You can exit the setup wizard at any point by entering [ctrl+z].



Would you like to run the setup wizard (you must answer this question within 60 seconds)? [Y/N] **y**

Step 1:

The system is not set up for SNMP management by default. To manage the switch using SNMP (required for Dell Network Manager) you can

- . Set up the initial SNMP version 2 account now.
- . Return later and set up other SNMP accounts. (For more information on setting up an SNMP version 1 or 3 account, see the user documentation).

Would you like to set up the SNMP management interface now? [Y/N] **y**

To set up the SNMP management account you must specify the management system IP address and the "community string" or password that the particular management system uses to access the switch. The wizard automatically assigns the highest access level [Privilege Level 15] to this account. You can use Dell Network Manager or other management interfaces to change this setting, and to add additional management system information later. For more information on adding management systems, see the user documentation.

To add a management station:

Please enter the SNMP community string to be used.

[public]: **public**

**הערה:** אם הוגדרה התצורה, רמת הגישה שהוגדרה כברירת המחדל מוגדרת לגישה הגבוהה ביותר הזמינה עבור ממשק הניהול SNMP. בהתחלה רק SNMPv2 יופעל. SNMPv3 מושבת עד שתחזור להגדיר את תצורת גישת האבטחה עבור SNMPv3 (כלומר, מזהה מנוע, תצוגה וכדומה).



Please enter the IP address of the Management System (A.B.C.D) or wildcard (0.0.0.0) to manage from any Management Station. [0.0.0.0]: **10.1.2.100**

Step 2:

Now we need to set up your initial privilege (Level 15) user account. This account is used to login to the CLI and Web interface. You may set up other accounts and change privilege levels later. For more information on setting up user accounts and changing privilege levels, see the user documentation.

To set up a user account:

Please enter the user name. [root]:**admin**

Please enter the user password: **\*\*\*\*\***

Please reenter the user password: **\*\*\*\*\***

Step 3:

Next, an IP address is set up on the VLAN 1 routing interface.

You can use the IP address to access the CLI, Web interface, or SNMP interface of the switch.

To access the switch through any Management Interface you can

- . Set up the IP address for the Management Interface.

- . Set up the default gateway if IP address is manually configured on the routing interface.

Step 4:

Would you like to set up the VLAN1 routing interface now? [Y/N] **y**

Please enter the IP address of the device (A.B.C.D) or enter "DHCP" (without the quotes) to automatically request an IP address from the network DHCP server:

**10.1.1.200**

Please enter the IP subnet mask (A.B.C.D or /nn):

**255.255.255.0**

Step 5:

Finally, set up the default gateway. Please enter the IP address of the gateway from which this network is reachable. [0.0.0.0]: **10.1.1.1**

This is the configuration information that has been collected:

```
SNMP Interface = "public"@10.1.2.100
User Account setup = admin
Password = *****
VLAN1 Router Interface IP = 10.1.1.200 255.255.255.0
Default Gateway = 10.1.1.1
```

Step 6:

If the information is correct, please enter (Y) to save the configuration and copy the settings to the start-up configuration file. If the information is incorrect, enter (N) to discard the configuration and restart the wizard: [Y/N] **y**

Thank you for using the Dell Easy Setup Wizard. You will now enter CLI mode.

Applying Interface configuration, please wait...

## השלבים הבאים

לאחר השלמת הגדרת התצורה הראשונית המתוארת בסעיף זה, חבר כל יציאת מתג בלוח הקדמי לרשת הייצור לניהול מרחוק בתוך הרשת.

אם ציינת את ה-DHCP עבור כתובת ה-IP של ממשק הניהול VLAN 1, הממשק ישיג את כתובת ה-IP שלו משרת DHCP ברשת. כדי לגלות את כתובת ה-IP שהוקצתה באופן דינמי, השתמש בחיבור יציאת המסוף כדי להנפיק את הפקודה הבאה:

• עבור ממשק הניתוב VLAN 1, הזן **show ip interface**.

כדי לגשת לממשק ניהול המתגים Dell OpenManage, הזן את כתובת ה-IP של ממשק הניהול VLAN 1 לשדה הכתובת של דפדפן אינטרנט. לגישה ניהול מרחוק ל-CLI (ממשק שורת הפקודה), הזן את כתובת ה-IP של ממשק הניהול VLAN 1 בלקוח Telnet או SSH. לחלופין, המשך להשתמש ביציאת המסוף עבור גישה CLI (ממשק שורת הפקודה) מקומית למתג.

מתגי N1100-ON Series תומכים בתכונות מיתוג בסיסיות כגון VLANs ופרוטוקול עץ מורחב. השתמש בממשק הניהול מבוסס האינטרנט או ב-CLI (ממשק שורת הפקודה) כדי להגדיר את התצורה של התכונות שהרשת דורשת. לקבלת מידע על האופן שבו ניתן להגדיר את התצורה של תכונות המתג, עיין ב-*User Configuration Guide* (המדריך למשתמש להגדרת תצורה) או ב-*CLI Reference Guide* (מדריך העזר ל-CLI (ממשק שורת הפקודה)) הזמינים באתר התמיכה: [.dell.com/support](https://support.dell.com)

# תאימות לסוכנות

המתגים N1124P-ON, N1124T-ON, N1108EP-ON, N1108P-ON, N1108T-ON, N1148P-ON ו-N1148T-ON, עומדים בדרישות בנושא בטיחות של הגופים הבאים:

## הצרת התאימות של EMC להנחיית האיחוד האירופי

מוצר זה עומד במסגרת דרישות ההגנה של הנחיית מועצת האיחוד האירופי 2004/30/EC לגבי התאמת חוקי המדינות החברות בתחום היכולות האלקטרומגנטיות. Dell EMC אינה יכולה לקבל על עצמה כל אחריות לאי-מילוי דרישות ההגנה כתוצאה משינוי שבוצע במוצר זה בניגוד להמלצות, כולל התקנת כרטיסים אופציונליים שאינם מבית Dell EMC.

מוצר זה נבדק ונמצא עומד בהגבלות עבור ציוד טכנולוגיית מידע בדירוג Class A בהתאם ל-CISPR 32/CISPR34 ו-EN55032/EN55034. מגבלות הציוד בדירוג Class A נגזרו מסביבות מסחריות ותעשייתיות ונועדו לספק הגנה סבירה נגד הפרעות מצד ציוד תקשורת המופעל ברישיון.

**אזהרה:** זהו מוצר בדירוג Class A. בסביבה ביתית עלול מכשיר זה לגרום להפרעות רדיו; במקרה זה, ייתכן שתידרש לנקוט אמצעים הולמים.

פנייה לקהילת האיחוד האירופי:

Dell EMC, EMEA - Central

Dahlienweg 19

Heusweiler 66265

גרמניה

טלפון: +49 172 6802630

דוא"ל: EMEA Central Sales

## הסמכת תאימות להודו

המוצר תואם לדרישות הרלוונטיות של תקנות *Essential Requirements of Telecommunication Engineering Centre (TEC)* ('הדרישות החיוניות של מרכז ההנדסה והטלקומוניקציה (TEC)').

## תקני בטיחות ואישורי הסוכנות לתאימות

- IEC 62368-1, מהדורה שנייה
- CUS UL 60950-1, מהדורה שנייה
- עמידה בדרישות של בדיקת חוזק דיאלקטרי (Hi Pot) ורציפות הארקה או חריגה מהן, לפי UL 60950-1.
- AS/NZS 60950
- CSA 60950-1-03, מהדורה שנייה
- EN 60950-1, מהדורה שנייה
- EN 60825-1, מהדורה שנייה
- EN 60825-1 - בטיחות של מוצרי לייזר - חלק 1: דרישות לסיווג ציוד ומדריך למשתמש
- EN 60825-2 בטיחות של מוצרי לייזר - חלק 2: מערכות תקשורת עם סיב אופטי
- תקנות ה-FDA 1040.10 CFR 21 ו-1040.11
- IEC 60950-1, מהדורה שנייה, לרבות כל החריגות הלאומיות וההבדלים בין הקבוצות

## תאימות אלקטרומגנטית

### פליטות

- בינלאומי: CISPR 32 : Class A
- אוסטרליה/ניו-זילנד: AS/NZS CISPR 32 : Class A
- קנדה: ICES-003, Issue-4, Class A
- אירופה: EN55032 : 2015 (CISPR 32), Class A
- EN55032
- יפן: VCCI Class A
- קוריאה: KN32, Class A
- טאיוואן: CNS13438, Class A
- ארה"ב: FCC.47 CFR סעיף 15, תת-סעיף A, B, Class A

## חסינות

- EN 300 386 תאימות אלקטרו-מגנטית עבור ציוד רשת
- EN 55024
- EN 61000-3-2: פליטות זרם הרמוניות
- EN 61000-3-3: תנודות ואי יציבות במתח
- EN 61000-4-2 ESD
- EN 61000-4-3: חסינות בפני קרינה
- EN 61000-4-4 EFT
- EN 61000-4-5: קפיצות מתח
- EN 61000-4-6: חסינות במוליכות בתדרים נמוכים

## מיחזור ופינוי מוצרים לאשפה

עליך למחזר או להשליך לפח מערכת זו בהתאם לתקנות המקומיות והלאומיות הרלוונטיות. Dell EMC מעודדת בעלי ציוד מתחום טכנולוגיית המידע (IT) למחזר באופן אחראי את הציוד שלהם כאשר אין בו עוד צורך. Dell EMC מציגה מגוון של תוכניות ושירותים להחזרת מוצרים, במספר מדינות, כדי לסייע לבעלי ציוד למחזר את מוצרי ה-IT שלהם.

[www.dell.com](http://www.dell.com) | [dell.com/support](http://dell.com/support)

