

Dell™ PowerConnect™ 28xx Systems

Getting Started Guide

Handbuch zum Einstieg

Guide de mise en route

Guía de introducción

מדריך תחילת עבודה

Panduan Pengaktifan

使用説明指南

使用入门指南

시작 안내서

はじめに

Başlangıç Kılavuzu

Dell™ PowerConnect™ 28xx Systems

Getting Started Guide

Notes, Notices, and Cautions



NOTE: A NOTE indicates important information that helps to make better use of the device.



NOTICE: A NOTICE indicates either potential damage to hardware or loss of data and gives information how to avoid the problem.



CAUTION: A CAUTION indicates a potential for property damage, personal injury, or death.

Information in this document is subject to change without notice.

©2010 Dell Inc. All rights reserved.

Reproduction in any manner whatsoever without the written permission of Dell Inc. is strictly forbidden.

Trademarks used in this text: *Dell*, *Dell OpenManage*, the *DELL* logo, *Inspiron*, *Dell Precision*, *Dimension*, *OptiPlex*, *PowerConnect*, *PowerApp*, *PowerVault*, *Axim*, *DellNet*, and *Latitude* are trademarks of Dell Inc. *Microsoft* and *Windows* are registered trademarks of Microsoft Corporation.

Other trademarks and trade names may be used in this document to refer to either the entities claiming the marks and names or their products. Dell Inc. disclaims any proprietary interest in trademarks and trade names other than its own.

Contents

1	Installation	
	Overview	5
	Site Preparation	5
	Site Requirements	5
	Unpacking	6
	Package Contents	6
	Unpacking the Device	6
2	Mounting the Device	
	Overview	7
	Installation Precautions	7
	Device Rack Installation	8
	Installing on a Flat Surface	9
	Installing on a Wall	9
3	Starting and Configuring the Device	
	Management Modes	12
	Connecting the Device to the Network	12
	Connecting the Terminal to the Device	13
	Booting the Device - Managed Mode	13
	Initial Configuration - Managed Mode	15
	Web Configuration	18
	The Newly Introduced Eco-Friendly Feature: Green Ethernet	19
	Regulatory Notices	20
	información NOM (únicamente para México)	20
	Informação sobre Órgão Regulador	20

Installation

Overview

This document provides basic information to install and start running the following PowerConnect 2800 series of Web-managed Gigabit Ethernet switches:

- PowerConnect 2808
- PowerConnect 2816
- PowerConnect 2824
- PowerConnect 2848

The PowerConnect 2800 series can be used to connect workstations and other network devices, such as:

- Servers
- Hubs
- Routers

The PowerConnect devices are primarily intended for the Small Office/Home Office (SOHO) that require high performance edge connectivity. These PowerConnect devices are ideal for the small to medium business that requires high performance network connectivity along with advanced web management features. The PowerConnect management features are designed to minimize administrative management effort, while enhancing and improving network traffic control.

The switch is delivered from the factory in Unmanaged Mode. If users wish to use the switch as an unmanaged switch, they can simply plug the switch in and start using it. No configuration is necessary. If the same user wishes to use the switch as a managed switch, they need to change the mode from Unmanaged to Managed, as described in the Dell™ PowerConnect™ 2800 Series User's Guide, available on the Documentation CD. Alternatively, you may check the Dell support website at www.support.dell.com for the latest documentations and software updates.

Site Preparation

Site Requirements

The PowerConnect 2808/16/24/48 devices can be mounted in a standard equipment rack, placed on a tabletop, or mounted on the wall.

Before installing the device, verify that the site selected for the device meets the following site requirements:

- **Power** — The device is installed within 1.5 m (5 feet) of a grounded, easily accessible outlet 220/110 VAC, 50/60 Hz.
- **General** — Ensure that the power supply is correctly installed.
- **Clearance** — There is adequate frontal clearance for operator access. Allow clearance for cabling, power connections, and ventilation.
- **Cabling** — Cabling is routed to avoid sources of electrical noise such as radio transmitters, broadcast amplifiers, power lines, and fluorescent lighting fixtures.
- **Ambient Requirements** — The ambient device operating temperature range is 0 to 45 °C (32 to 113 °F) at a relative humidity of up to 95%, non-condensing. Verify that water or moisture cannot enter the device case.

Unpacking


Package Contents

While unpacking the device, ensure that the following items are included:

- The device
- AC power cable
- Self-adhesive rubber pads (for on-shelf installation)
- Rack-mount kit for installation
- Documentation CD
- *Product Information Guide*

Unpacking the Device

To unpack the PowerConnect device:

 **NOTE:** Before unpacking the device, inspect the packaging and report any evidence of damage.

- 1 Place the box on a clean flat surface.
- 2 Open the box or remove the box top.
- 3 Carefully remove the device from the package and place it on a secure, stable and clean surface.
- 4 Remove all packing material.
- 5 Inspect the product for damage. Report any damage immediately.

Mounting the Device

Overview

The following mounting instructions apply to the PowerConnect 2808/16/24/48 devices. There are three device mounting options:

- Installing in a Rack
- Installing on a Flat Surface
- Installing on a Wall

Installation Precautions

 CAUTION Before performing any of the following procedures, read and follow the safety instructions located in your *Product Information Guide*.

 CAUTION Observe the following points before performing the procedures in this section:

- Ensure that the rack or cabinet housing the device is adequately secured to prevent it from becoming unstable and/or falling over.
- Ensure that the power source circuits are properly grounded.
- Observe and follow the service markings. Do not service any device except as explained in the system documentation. Opening or removing covers marked with a triangular symbol with a lightning bolt may cause electrical shock. These components are to be serviced by trained service technicians only.
- Ensure that the power cable, extension cable, and/or plug is not damaged.
- Ensure that the device is not exposed to water.
- Ensure that the device is not exposed to radiators and/or heat sources.
- Ensure that the cooling vents are not blocked.
- Do not push foreign objects into the device, as it may cause a fire or electric shock.
- Use the device only with approved equipment.
- Allow the device to cool before removing covers or touching internal equipment.

- Ensure that the device does not overload the power circuits, wiring, and over-current protection. To determine the possibility of overloading the supply circuits, add together the ampere ratings of all devices installed on the same circuit as the device. Compare this total with the rating limit for the circuit.
- Do not install the device in an environment where the operating ambient temperature might exceed 40°C (104°F).
- Ensure that the airflow around the front, sides, and back of the device is not restricted.

Device Rack Installation

⚠ CAUTION: Read the safety information in the Product Information Guide as well as the safety information for other devices that connect to or support the device.

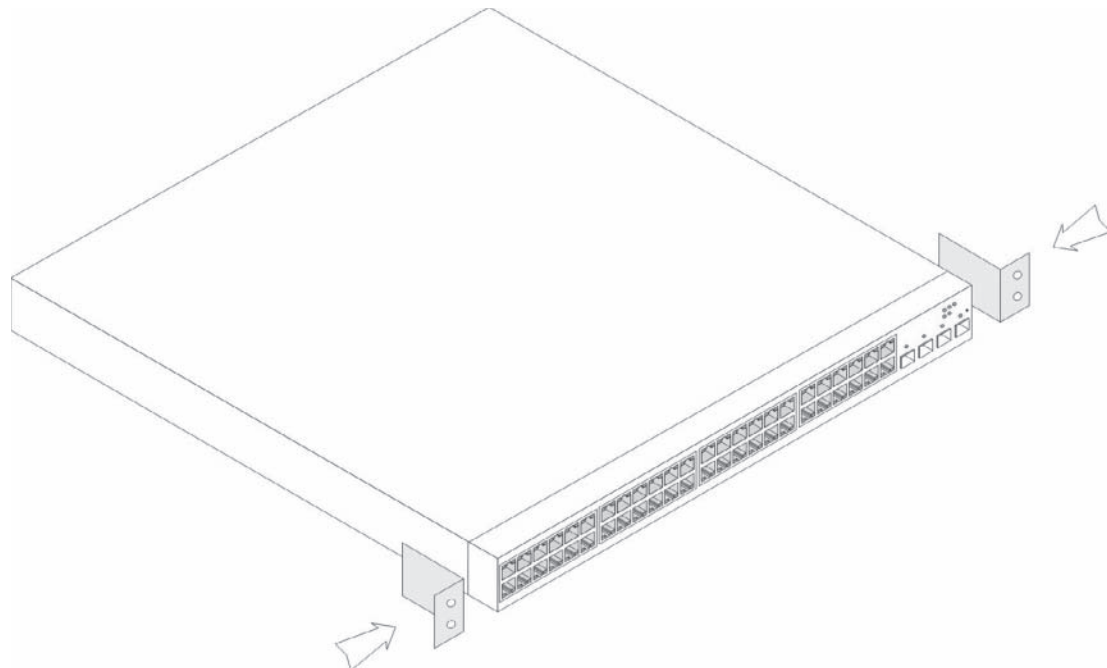
⚠ CAUTION: Disconnect all cables from the device before mounting the device in a rack or cabinet.

⚠ CAUTION: When mounting multiple devices into a rack, mount the devices from the bottom up.

Install the device in a rack as follows:

- 1 Place the supplied rack-mounting bracket on one side of the device ensuring the mounting holes on the device line up to the mounting holes on the rack mounting bracket. The following figure illustrates where to mount the brackets.

Figure 2-1. Bracket Installation for Rack Mounting



- 2 Insert the supplied screws into the rack mounting holes and tighten with a screwdriver.
- 3 Repeat the process for the rack-mounting bracket on the other side of the device.

- 4 Insert the device into the rack, ensuring the rack-mounting holes on the device line up to the mounting hole on the rack.
- 5 Secure the device to the rack with the rack screws (not provided). Fasten the lower pair of screws before the upper pair of screws. Ensure that the ventilation holes are not obstructed.

Installing on a Flat Surface

The device can be installed on a flat surface if it is not installed on a rack. The surface must be able to support the weight of the device and the device cables.

- 1 Attach the self-adhesive rubber pads (provided with the device) on each marked location on the bottom of the chassis.
- 2 Set the device on a flat surface, while leaving 2 inches (5.08 cm) on each side and 5 inches (12.7 cm) at the back.
- 3 Ensure that the device has proper ventilation.

Installing on a Wall

To mount the device on a wall:

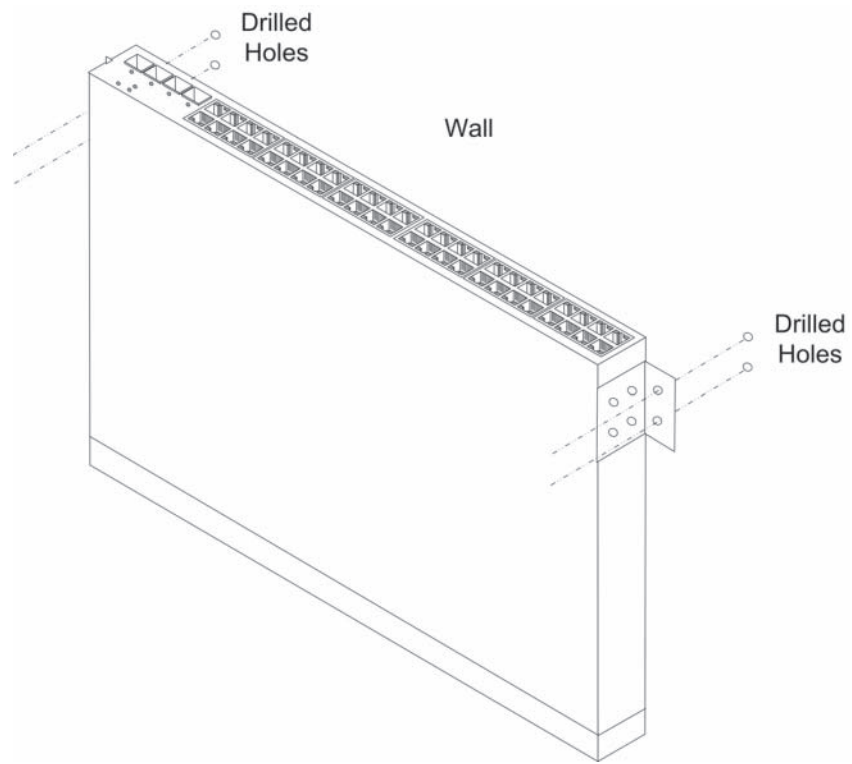
- 1 Ensure that the mounting location meets the following requirements:
 - The surface of the wall must be capable of supporting the device.
 - Allow at least 2 inches (5.1 cm) space on the sides for proper ventilation and 5 inches (12.7 cm) at the back for power cable clearance.
 - The location must not be exposed to direct sunlight.
 - The location must be at least 2 feet (61 cm) away from any heating vents, and no area-heating vent should point towards the device.
 - The location must be ventilated to prevent heat buildup.
 - Do not locate the device near any data or electrical cabling.
 - The power cable must be able to reach an outlet.
- 2 Place the supplied wall-mounting bracket on one side of the device, ensuring that the mounting holes on the device line up to the mounting holes on the wall-mounting bracket. The following figure illustrates where to mount the brackets.

Figure 2-2. Bracket Installation for Wall Mounting



- 3** Insert the supplied screws into the wall-mounting bracket holes and tighten with a screwdriver.
- 4** Repeat the process for the wall-mounting bracket on the other side of the device.
- 5** Place the device on the wall in the location where the device is being installed.
- 6** On the wall mark the locations where the screws to hold the device must be prepared.
- 7** On the marked locations, drill the holes and place all plugs (not provided) in the holes.
- 8** Secure the device to the wall with screws (not provided). Ensure that the ventilation holes are not obstructed.

Figure 2-3. Mounting Device on a Wall



Starting and Configuring the Device

After completing all external connections, proceed as follows:

- If the device is to be used as an unmanaged switch, there is no need for a terminal connection.
- A terminal connection is useful if the device is to be used in a managed mode.



NOTE: Before proceeding, read the release notes for this product. The release notes can be downloaded from <http://support.dell.com>.



NOTE: It is recommended that you obtain the most recent revision of the user documentation from the Dell support website at <http://support.dell.com>.

Management Modes

The PowerConnect 2808/16/24/48 has a Mode push button on the front panel. The Mode button changes between Managed and Unmanaged modes, or changes from Secure to Managed modes.

Connecting the Device to the Network

To connect to an uplink port, use Category 6 Shielded Twisted-Pair (STP) cables with RJ-45 connectors at both ends. The RJ-45 ports on the Ethernet device support automatic Media-Dependent Interface/Media-Dependent Interface with internal crossover wiring (MDI/MDIX). Standard straight-through twisted-pair cables can be used to connect to any other Ethernet network (systems, servers, switches or routers).



NOTICE: Do not plug a phone jack connector into an RJ-45 port. This will damage the Ethernet device. Use only twisted-pair cables with RJ-45 connectors that conform with FCC standards.

To connect the device to the network:

- 1 Attach one end of a Twisted-Pair cable to the device's RJ-45 connector and the other end to a switch or server.
- 2 Make sure each twisted pair cable does not exceed 328 feet (100 meters) in length.

As each connection is made, the link LED corresponding to each port on the device is illuminated (green or amber) indicating that the connection is valid.

Connecting the Terminal to the Device

The device provides an external console port in models 2816/24/48. The console port enables a connection to a terminal desktop system running terminal emulation software for monitoring and configuring the device.

The Console port connector is a male DB-9 connector, implemented as a data terminal equipment (DTE) connector.

To use the Console port, the following is required:

- VT100 compatible terminal or a desktop or portable system with a serial port and running VT100 terminal emulation software.
- An RS-232 null-modem cable with a female DB-9 connector for the Console port and the appropriate connector for the terminal.

To connect a terminal to the device Console port, perform the following:

- 1 Connect the supplied RS-232 crossover cable to the terminal running VT100 terminal emulation software.
- 2 Ensure that the terminal emulation software is set as follows:
 - a Select the appropriate serial port to connect to the console.
 - b Set the data rate to 9600 baud.
 - c Set the data format to 8 data bits, 1 stop bit, and no parity.
 - d Set flow control to none.
 - e Select VT100 for Emulation mode.



NOTE: When using HyperTerminal with Microsoft® Windows 2000, Windows XP, or Windows Vista, ensure that you have the latest service packs installed. With Windows 2000 Service Pack 2, the arrow keys function properly in HyperTerminal's VT100 emulation. Go to www.microsoft.com for information on Windows 2000, Windows XP, and Windows Vista service packs.

- 3 Connect the female connector of the RS-232 crossover cable directly to the Console port on the device, and tighten the captive retaining screws. The PowerConnect 2800 series Console port is located on the back panel.

Booting the Device - Managed Mode

The procedure described in this section refers to the device when set to operate as a managed switch. The PowerConnect 2808/16/24/48 models include a built-in dual purpose Mode Button. To change between managed and unmanaged modes, press the Mode Button for less than seven seconds.

Once the device is set to operate as a managed switch the boot procedure can be monitored on the connected terminal as follows:

- 1 Ensure that the device console port is connected to a VT100 terminal device or VT100 terminal emulator via the device's RS-232 crossover cable.

- 2 Attach the supplied standard AC power cable to the AC connector on the back panel of the device.

Figure 3-1. Connecting to PowerConnect 2800 Series Console Port

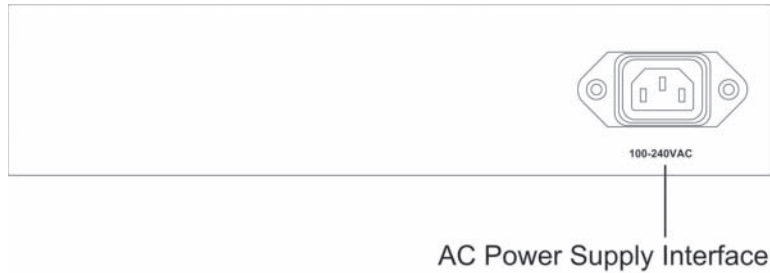
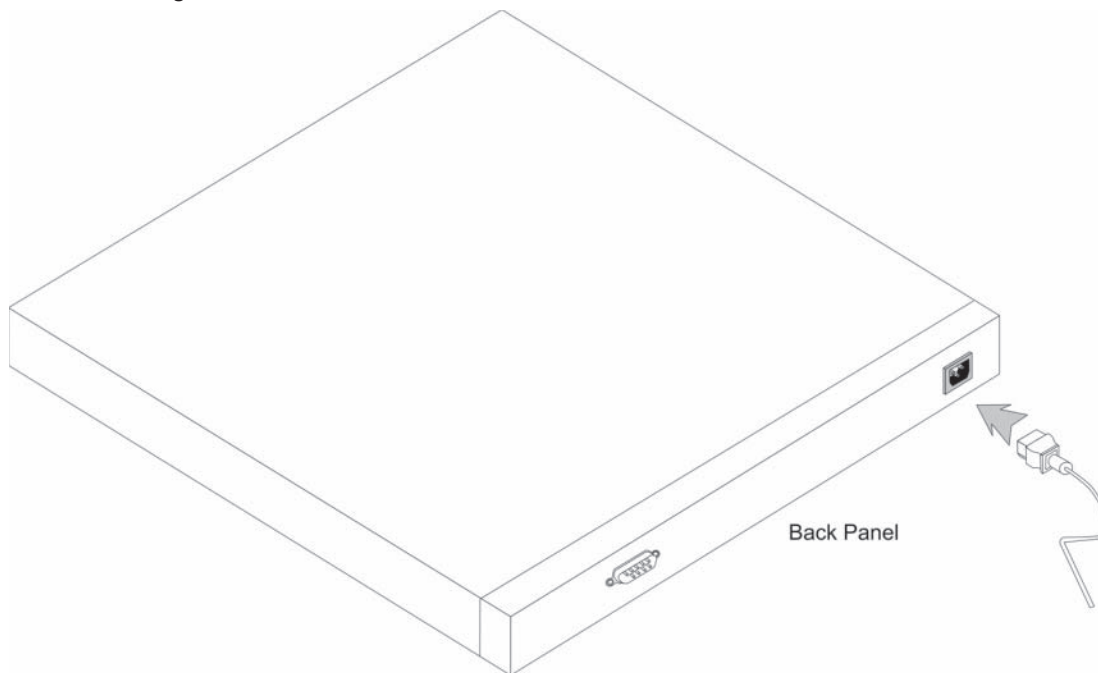


Figure 3-2. Attaching AC Power cable to device




- 3 Locate an AC power receptacle.
- 4 Deactivate the AC power receptacle.
- 5 Connect the device to the AC receptacle.
- 6 Activate the AC power receptacle.
- 7 After activating the AC power receptacle, confirm that the device is connected and operating correctly by examining the LEDs on the front panel.


When the power is turned on with the local terminal already connected, the device goes through Power On Self Test (POST). POST runs every time the device is initialized and checks hardware components to determine if the device is fully operational before completely booting. If a critical problem is detected, the program flow stops. If POST passes successfully, a valid executable image is loaded into RAM. POST messages are displayed on the terminal and indicate test success or failure.

The boot process runs less than 45 seconds when in unmanaged mode, and about 90 seconds when in other modes.

Initial Configuration - Managed Mode

The information and procedures described in this section apply to the device when it is configured as a Managed Mode switch.


 **NOTE:** The switch is factory-set by default to Unmanaged Mode.

 **NOTE:** The initial simple configuration uses the following assumptions:

- The PowerConnect device was never configured before, and is in the same state as when it was received.
- The PowerConnect device booted successfully.
- The console connection is established and the console prompt is displayed on the screen of a VT100 terminal device. (Press the <Enter> key several times to verify that the prompt displays correctly.)

The initial device configuration can be performed via the web management interface, or through the Serial port. After initial configuration, the device can be managed either from the Serial port, or remotely through an interface defined during the initial configuration.

The system prompts you to use the Set-up wizard when the device boots up for the first time in Managed Mode, or if the configuration file is empty because the device is not configured. The Setup Wizard provides guidance through the initial device configuration, and gets the device up and running as quickly as possible.

 **NOTE:** Obtain the following information from your network administrator before configuring the device:

- SNMP Community String and SNMP Management System IP address (optional).
- Username and Password.
- The IP address to be assigned to the VLAN 1 interface through which the device is to be managed (by default, every external and internal port is a member of the VLAN 1)
- The IP subnet mask for the network
- The default gateway (next hop router) IP address for configuring the default route.

The Setup Wizard guides you through the initial device configuration, and gets the system up and running as quickly as possible. You can skip using the setup wizard and configure the device manually through the device CLI mode.

The Setup Wizard configures the following fields.

- SNMP Community String and SNMP Management System IP address (optional)
- Username and Password
- Device IP address

- IP subnet mask
- Default Gateway IP address

The Setup Wizard displays the following information:

```
Welcome to Dell Easy Setup Wizard.
```

```
The Setup Wizard guides you through the initial switch configuration,
and gets you up and running as quickly as possible. You can skip the
setup wizard, and enter CLI mode to manually configure the switch.
The system will prompt you with a default answer; by pressing enter,
you accept the default. You must respond to the next question to run
the setup wizard within 60 seconds, otherwise the system will
continue with normal operation using the default system
configuration.
```

```
Would you like to enter the setup wizard (you must answer this
question within 60 seconds)? (Y/N) [Y] Y
```

NOTE: If you select not to use the Setup Wizard, you can access the Web interface by using the default IP address/mask (192.168.2.1/255.255.255.0).

NOTE: You can exit the Setup Wizard at any time by entering [Ctrl+Z].

Wizard Step 1

The following information displays:

```
The system is not setup for SNMP management by default.
```

```
To manage the switch using SNMP (required for Dell Network Manager)
you can:
```

```
*Setup the initial SNMP Version 2 account now
```

```
*Return later and setup additional SNMP v1/v2 accounts
```

```
For more information on setting up SNMP accounts, please see the user
documentation.
```

```
Would you like to setup the SNMP management interface now? (Y/N) [Y] Y
```

Enter [N] to skip to Step 2.

Enter [Y] to continue the Set-up wizard. The following information displays:

```
To setup the SNMP management account you must specify the management
system IP address and the "community string" or password that the
particular management system uses to access the switch. The wizard
automatically assigns the highest access level [Privilege Level 15]
to this account.
```

You can use Dell Network Manager or CLI to change this setting, and to add additional management systems. For more information on adding management systems, see the user documentation.

To add a management station:

Please enter the SNMP community string to be used:
[Dell_Network_Manager]

Please enter the IP address of the Management System (A.B.C.D) or wildcard (0.0.0.0) to manage from any Management Station:[0.0.0.0]

Wizard Step 2

The following information displays:

Now we need to setup your initial privilege (Level 15) user account. This account is used to login to the CLI, Telnet and Web interface. You may setup other accounts and change privilege levels later. For more information on setting up user accounts and changing privilege levels, see the user documentation.

To setup a user account:

Enter the user name<1-20>:[admin]

Please enter the user password:*****

Please reenter the user password:*****

Wizard Step 3

The following information displays:

Next, an IP address is setup.

The IP address is defined on the default VLAN, (VLAN #1). This is the IP address you use to access the Telnet, Web interface, or SNMP interface for the switch. To setup an IP address:

Please enter the IP address of the device (A.B.C.D):10.6.22.100

Please enter the IP subnet mask (A.B.C.D or nn):[255.255.255.224]

Wizard Step 4

The following information displays:

Finally, setup the default gateway.

Please enter the IP address of the gateway from which this network is reachable (e.g. 192.168.1.1). Default gateway (A.B.C.D):[10.6.22.97]

Enter the default gateway.

Press Enter. The following is displayed (as per the example parameters described):

```
This is the configuration information that has been collected:
=====
SNMP Interface = Dell_Network_Manager@0.0.0.0
User Account setup = admin
Password = *****
Management IP address = 10.6.22.100 255.255.255.224
Default Gateway is 10.6.22.97
=====
```

Wizard Step 5

The following information displays:

```
If the information is correct, please select (Y) to save the
configuration, and copy to the start-up configuration file. If the
information is incorrect,select (N) to discard configuration and
restart the wizard: (Y/N)[Y] Y

Configuring SNMP management interface.
Configuring user account.....
Configuring IP and subnet.....

Thank you for using Dell Easy Setup Wizard.
```

Web Configuration

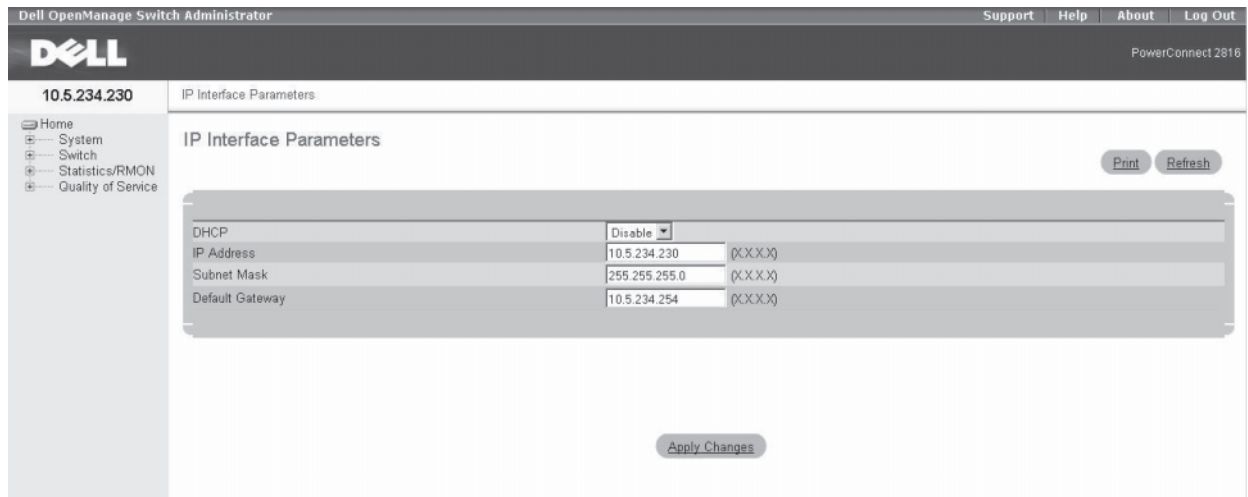
The web management interface is used to configure and manage the device when it is in Managed mode. To use the web management interface, you must first login.

- 1 Enter the device IP address in the web browser address bar and press <Enter>.
- 2 Enter a username and password and click <OK>.
The default user name is **admin**, and the default password is **admin**.
Passwords can be alpha-numeric and are case-sensitive.

The **IP Addressing** page contains a link to the **IP Interface Parameters** page that is used to assign the device IP address, subnet mask and default gateway, and for enabling or disabling DHCP.

- 1 In the web management interface navigation menu at left, select the **System > IP Addressing > IP Interface Parameters** screen.

Figure 3-3. Web management IP Interface Parameters



- 2 Enter the IP Address, Subnet Mask and Default Gateway.
- 3 Click Apply Changes. The device is configured.

The Newly Introduced Eco-Friendly Feature: Green Ethernet

The Green Ethernet feature improves network energy consumption. The Green Ethernet power saving technology automatically reduces power consumption upon detection of a *Link Down* and/or a *Short Reach*, ensuring that networks use less power per port and are more eco-friendly, without giving up network integrity.

The *Energy-Detection* and *Short-Reach* modes are enabled by default.

Regulatory Notices

For additional regulatory information, see the Regulatory Compliance Homepage on www.dell.com at the following location: www.dell.com/regulatory_compliance.

información NOM (únicamente para México)

La información siguiente se proporciona en el dispositivo o dispositivos descritos en este documento, en cumplimiento con los requisitos de la Norma oficial mexicana (NOM):

Exportador:	Dell Inc. One Dell Way Round Rock, TX 78682
Importador:	Dell México, S.A. de C.V. Paseo de la Reforma 2620 - 11° Piso Col. Lomas Altas 11950 México, D.F.
Enviar a:	Dell México, S.A. de C.V. al Cuidado de Kuehne & Nagel de México S. de R.L. Avenida Soles No. 55 Col. Peñon de los Baños 15520 México, D.F.

Dell PowerConnect™

Modelo	Voltaje de alimentación	Frecuencia	Consumo eléctrico
2808	100-240 VAC	50-60 Hz	0.75 A
2816	100-240 VAC	50-60 Hz	0.75 A
2824	100-240 VAC	50-60 Hz	1 A
2848	100-240 VAC	50-60 Hz	1.8 A




Informação sobre Órgão Regulador

A marca de certificação se aplica a este Equipamento de Rede de Dados
Para maiores consultas sobre ANATEL visite o site: www.anatel.gov.br

Dell™ PowerConnect™ 28xx Systeme

Handbuch zum Einstieg

Anmerkungen, Vorsichtshinweise und Warnungen

-  **ANMERKUNG:** Eine ANMERKUNG zeigt Ihnen wichtige Informationen, die Ihnen helfen können, diese Komponente besser verwenden zu können.
-  **HINWEIS:** Ein VORSICHTSHINWEIS zeigt entweder einen potenziellen Fehler bei der Hardware oder einen Datenverlust an und liefert Informationen, wie das Problem verhindert werden kann.
-  **WARNUNG:** Durch **WARNUNG** werden Sie auf Gefahrenquellen hingewiesen, die materielle Schäden, Verletzungen oder sogar den Tod von Personen zur Folge haben können.

Die in diesem Dokument enthaltenen Informationen können sich ohne vorherige Ankündigungen ändern.

© 2008 Dell Inc. Alle Rechte vorbehalten.

Nachdrucke jeglicher Art ohne die vorherige schriftliche Genehmigung von Dell Inc. sind strengstens untersagt.

In diesem Text verwendete Marken: *Dell*, *Dell OpenManage*, das *DELL*-Logo, *Inspiron*, *Dell Precision*, *Dimension*, *OptiPlex*, *PowerConnect*, *PowerApp*, *PowerVault*, *Axim*, *DellNet* und *Latitude* sind Marken von Dell Inc. *Microsoft* und *Windows* sind eingetragene Marken der Microsoft Corporation.

Andere in diesem Dokument möglicherweise verwendete Marken und Handelsbezeichnungen dienen ausschließlich der Identifikation der Firmen, denen diese Marken und Namen gehören, oder ihrer Produkte. Dell Inc. erhebt keinen Anspruch auf Besitzrechte an Marken und Handelsbezeichnungen mit Ausnahme der eigenen.

Inhalt

1	Installation	
	Übersicht	27
	Vorbereitung des Standorts	28
	Standortanforderungen	28
	Auspacken	28
	Packungsinhalt	28
	Auspacken des Geräts	29
2	Einbau des Geräts	
	Übersicht	31
	Sicherheitshinweise zur Installation	31
	Geräte-Rack-Installation	32
	Installation auf einer flachen Oberfläche	33
	Installieren an einer Wand	33
	Anschließen des Geräts an die Stromversorgung	35
3	Starten und Konfigurieren des Geräts	
	Verwaltungsmodi	37
	Verbinden des Geräts mit dem Netzwerk	37
	Anschließen des Terminals an das Gerät	38
	Starten des Geräts – Managed Modus	39
	Ausgangskonfiguration – Managed Modus	40
	Web-Konfiguration	46
	Die neu eingeführte Eco-Funktion zur Schonung der Umwelt:	
	Green Ethernet	46
	Betriebsbestimmungen	47
	información NOM (únicamente para México)	47
	Informação sobre Órgão Regulador	47

Installation

Übersicht

Dieses Dokument stellt grundlegende Informationen zu Installation und Inbetriebnahme folgender Web-verwalteter Gigabit Ethernet Switches der Serie PowerConnect 2800 zur Verfügung:

- PowerConnect 2808
- PowerConnect 2816
- PowerConnect 2824
- PowerConnect 2848

Die PowerConnect 2800 Serie kann zum Verbinden von Workstations und anderen Netzwerkgeräten verwendet werden, wie z. B.:

- Server
- Hubs
- Router

Die Geräte der PowerConnect Serie sind primär für den Einsatz im SOHO (Small Office/Home Office) gedacht, welches High Performance Edge-Konnektivität benötigt. Diese PowerConnect Geräte sind ideal geeignet für kleine bis mittlere Unternehmen, welche High Performance-Netzwerkverbindungs-fähigkeit bei erweiterten Web-Management-Funktionen benötigen. Die PowerConnect-Verwaltungs-funktionen wurden entworfen, um den administrativen Verwaltungsaufwand zu minimalisieren, während die Kontrolle über den Netzwerk-Datenverkehr erhöht und verbessert wird.

Der Switch wird von Werk aus im Unmanaged-Modus geliefert. Möchte ein Benutzer den Switch als Unmanaged Switch einsetzen, kann der Switch einfach angeschlossen und verwendet werden. Es ist keine Konfiguration notwendig. Falls derselbe Benutzer den Switch als Managed Switch einsetzen möchte, muss der Modus von Unmanaged auf Managed geändert werden, wie im Benutzerhandbuch zur Dell™ PowerConnect™ 2800 Serie beschrieben, welches auf der Dokumentations-CD enthalten ist. Alternativ dazu können Sie die Dell Support-Website unter www.support.dell.com auf die neuesten Dokumentationen und Software-Aktualisierungen hin überprüfen.

Vorbereitung des Standorts

Standortanforderungen

Die PowerConnect 2808/16/24/48 Geräte können in ein Standardgeräte-Rack montiert, auf dem Tisch platziert oder an der Wand angebracht werden.

Überprüfen Sie vor der Installation des Geräts, dass der für das Gerät gewählte Standort die folgenden Standortvoraussetzungen erfüllt:

- **Strom** – Das Gerät wird innerhalb einer Entfernung von 1,5 m (5 Fuß) zu einer geerdeten, leicht zugänglichen Steckdose mit 220/110 VAC, 50/60 Hz installiert. Falls das Gerät über zwei Stromversorgungen verfügt, sollte der Standort zwei Steckdosen mit unterschiedlichen Stromleitungen aufweisen.
- **Allgemein** – Stellen Sie sicher, dass das Netzteil korrekt installiert wurde.
- **Zwischenraum** – Es muss ein angemessener Freiraum an der Vorderseite für den Bediener vorhanden sein. Es muss ein angemessener Freiraum für die Verkabelung, Stromversorgung und Entlüftung vorhanden sein.
- **Verkabelung** – Die Verkabelung wird so verlegt, dass elektrische Störquellen wie beispielsweise Radiosender, Sendeverstärker, Stromkabel und Gehäuse von Leuchtstofflampen vermieden werden.
- **Umgebungsanforderungen** – Der umgebende Temperaturbereich des Geräts liegt zwischen 0 bis 45 °C (32 bis 113 °F) bei einer relativen Luftfeuchtigkeit von 95 %, nicht-kondensierend. Überprüfen Sie, dass kein Wasser oder Feuchtigkeit in das Gehäuse des Geräts eindringen kann.

Auspacken

Packungsinhalt

Die folgenden Komponenten sollten nach dem Auspacken des Geräts vorhanden sein:

- Das Gerät
- Netzkabel
- Selbstklebende Gummipads (für die Installation im/auf einem Regal)
- Montagekit für die Rackmontage
- Dokumentations-CD
- Produktinformationshandbuch

Auspacken des Geräts

Auspacken des PowerConnect Geräts:



ANMERKUNG: Überprüfen Sie vor dem Auspacken des Geräts die Verpackung und melden Sie jegliche Spuren von Beschädigung.

- 1 Stellen Sie die Kiste auf eine saubere und ebene Oberfläche.
- 2 Öffnen Sie die Kiste, oder entfernen Sie die Abdeckung der Kiste.
- 3 Entfernen Sie das Gerät vorsichtig aus der Verpackung und stellen Sie es auf eine sichere, stabile und saubere Oberfläche.
- 4 Entfernen Sie das Verpackungsmaterial.
- 5 Überprüfen Sie das Produkt auf Schäden. Melden Sie sofort jegliche Schäden.

Einbau des Geräts

Übersicht

Die folgenden Montageanweisungen gelten für die Geräte PowerConnect 2808/16/24/48. Es gibt drei Möglichkeiten für die Montage des Geräts:

- Installieren in einem Rack
- Installieren auf einer ebenen Oberfläche
- Installieren an einer Wand

Sicherheitshinweise zur Installation

 **VORSICHT:** Bevor Sie jegliche der folgenden Vorgehensweisen durchführen, lesen und befolgen Sie die Sicherheitshinweise, die Sie in Ihrem *Produktinformationshandbuch* finden.

 **VORSICHT:** Beachten Sie die folgenden Punkte, bevor Sie die Verfahren in diesem Abschnitt ausführen:

- Das Rack oder Gehäuse, in dem sich das Gerät befindet, sollte ausreichend gesichert werden, um In- stabilität bzw. ein Umkippen zu verhindern.
- Stellen Sie sicher, dass die Schaltkreise der Stromversorgung ordnungsgemäß geerdet sind.
- Beachten und befolgen Sie die Wartungsmarkierungen. Nehmen Sie an Geräten keine Wartungsarbeiten vor, die über die in der Systemdokumentation beschriebenen Arbeiten hinausgehen. Beim Öffnen bzw. Entfernen der mit einem Dreieckssymbol und einem Blitz gekennzeichneten Abdeckungen besteht die Gefahr eines Stromschlages. Diese Komponenten dürfen nur von ausgebildeten Servicetechnikern gewartet werden.
- Stellen Sie sicher, dass das Netzkabel, Verlängerungskabel und/oder der Stecker nicht beschädigt sind.
- Setzen Sie das Gerät keiner Feuchtigkeit aus.
- Stellen Sie sicher, dass das Gerät weder Heizgeräten noch anderen Wärmequellen ausgesetzt ist.
- Stellen Sie sicher, dass die Belüftungsöffnungen nicht blockiert sind.
- Achten Sie darauf, dass keine Objekte in das Gerät gelangen, da Brand- bzw. Stromschlaggefahr besteht.
- Verwenden Sie das Gerät ausschließlich mit zugelassenem Zubehör.
- Lassen Sie das Gerät abkühlen, bevor Sie Abdeckungen abnehmen oder interne Bauteile berühren.

- Achten Sie darauf, dass Stromkreise, Verkabelung und Überstromschutz vom Switch nicht überlastet werden. Addieren Sie zur Bestimmung der Wahrscheinlichkeit einer Überladung der Versorgungsschaltkreise die Ampereangaben aller Geräte auf, die innerhalb des selben Stromkreislaufes wie das Gerät installiert sind. Anschließend vergleichen Sie dieses Gesamtergebnis mit der Nennstrombegrenzung für den Schaltkreis.
- Installieren Sie das Gerät nicht in Umgebungen, in denen die Betriebsumgebungstemperatur 40 °C (104 °F) überschreiten kann.
- Stellen Sie sicher, dass die Luftzirkulation an der Vorder- und Rückseite sowie an den Seitenbereichen des Geräts nicht behindert wird.

Geräte-Rack-Installation

⚠ VORSICHT: Lesen Sie sowohl die Sicherheitsinformationen im Produktinformationshandbuch als auch die Sicherheitsinformationen für andere Geräte, die an das Gerät angeschlossen werden oder es tragen.

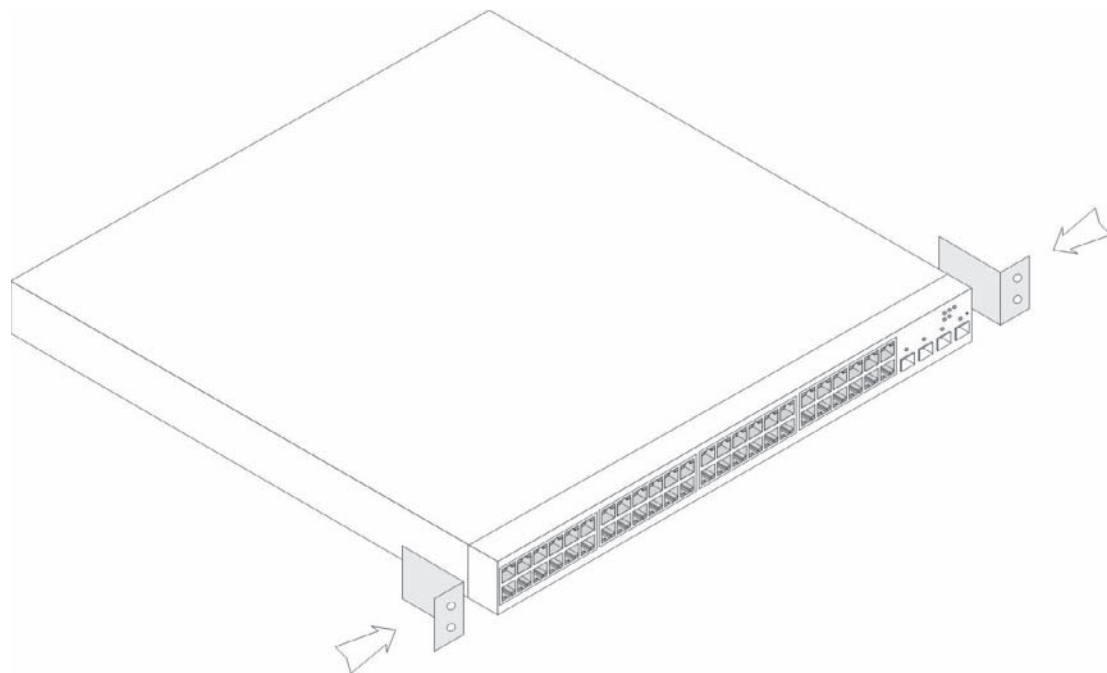
⚠ VORSICHT: Trennen Sie sämtliche Kabel vom Gerät, bevor Sie das Gerät in ein Rack oder Gehäuse einbauen.

⚠ VORSICHT: Wenn mehrere Komponenten in ein Rack eingebaut werden, bauen Sie die Komponenten von unten nach oben ein.

Installieren Sie das Gerät in einem Rack wie folgt:

- 1 Platzieren Sie das im Lieferumfang enthaltene Rack-Montageblech auf einer Seite des Geräts, wobei sich die Montagelöcher des Geräts mit den Montagelöchern am Rack-Montageblech decken müssen. Die folgende Abbildung zeigt, wo die Abdeckbleche zu befestigen sind.

Abbildung 2-1. Installation der Montagebleche für die Rackmontage



- 2** Führen Sie die mitgelieferten Schrauben in die Rack-Montagelöcher ein, und ziehen Sie diese mit einem Schraubenzieher fest.
- 3** Wiederholen Sie dies beim Rack-Montageblech auf der anderen Seite des Geräts.
- 4** Fügen Sie das Gerät in das Rack ein und stellen Sie dabei sicher, dass sich die Montagelöcher für die Rackmontage mit den Montagelöchern des Racks decken.
- 5** Befestigen Sie das Gerät mittels der Rackschrauben (nicht mitgeliefert) am Rack. Ziehen Sie zuerst die unteren Schrauben an, bevor die oberen Schrauben festgezogen werden. Stellen Sie sicher, dass die Lüftungslöcher nicht verstopft sind.

Installation auf einer flachen Oberfläche

Das Gerät muss auf einer flachen Oberfläche installiert werden, wenn es nicht auf einem Rack installiert wird. Die Oberfläche muss in der Lage sein, das Gewicht des Geräts und der Gerätekabel zu tragen.

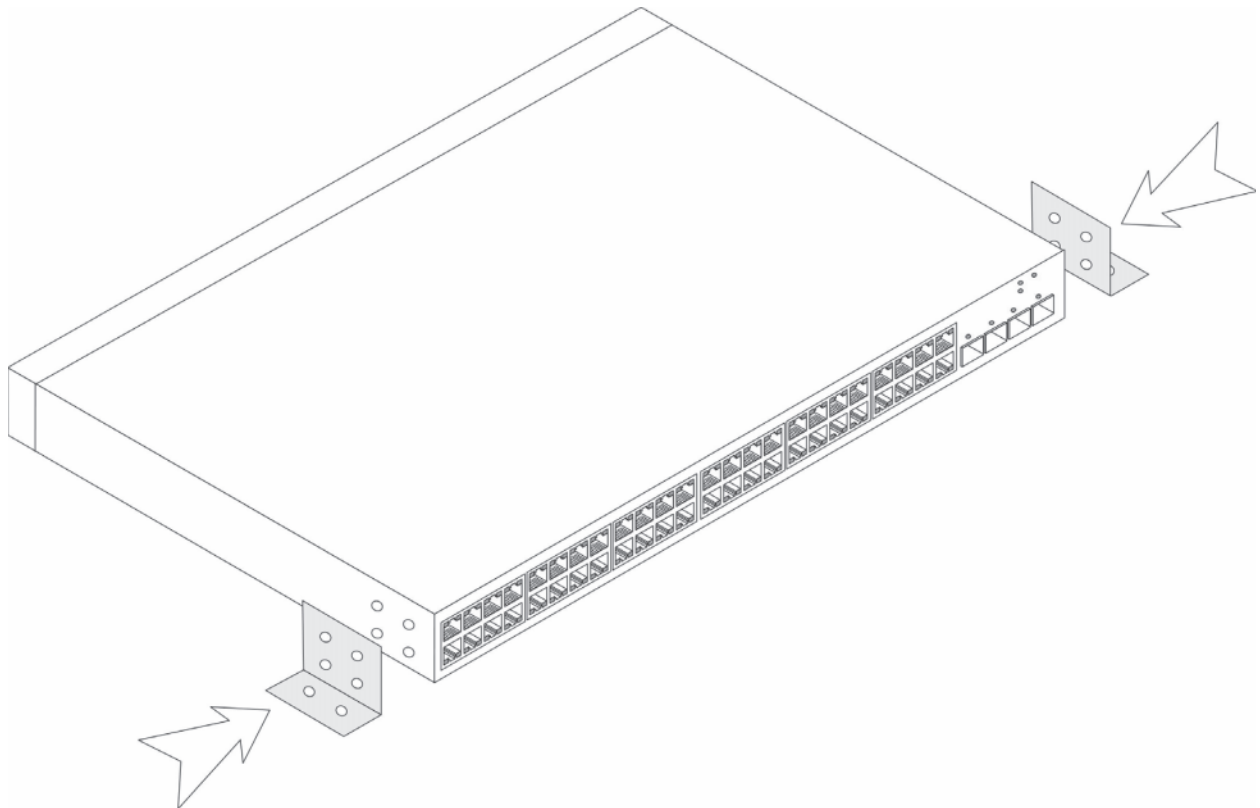
- 1** Bringen Sie die selbstklebenden Gummipads (mit dem Gerät mitgeliefert) an den jeweiligen markierten Stellen auf dem Gehäuseboden an.
- 2** Stellen Sie das Gerät auf eine flache Oberfläche und lassen Sie dabei 5,08 cm (2 Zoll) Platz auf jeder Seite sowie 12,7 cm (5 Zoll) auf der Rückseite.
- 3** Stellen Sie sicher, dass das Gerät ordnungsgemäß belüftet wird.

Installieren an einer Wand

Um das Gerät an einer Wand zu installieren:

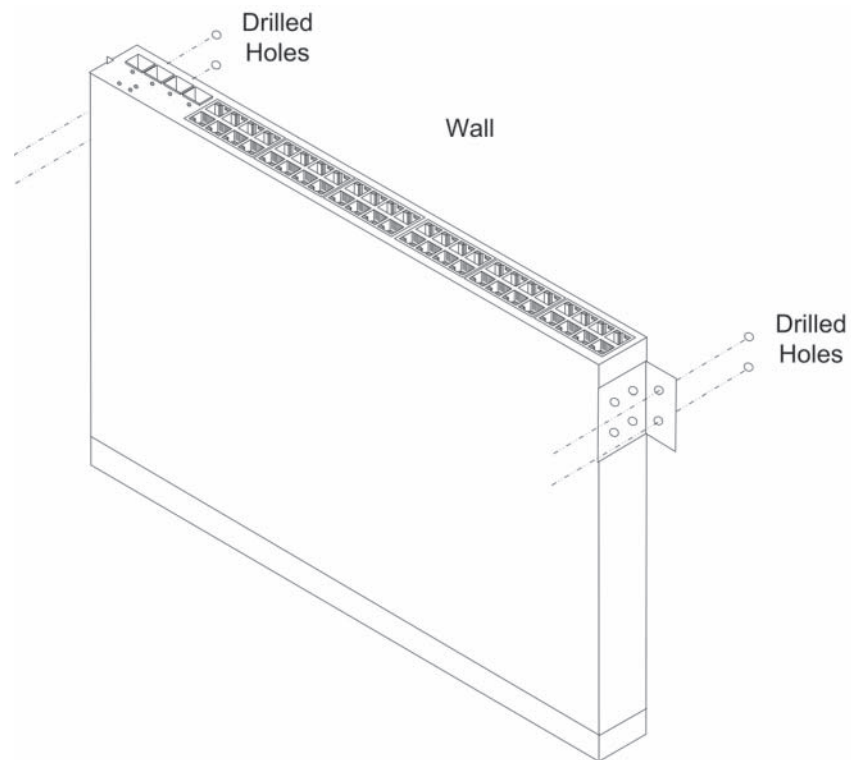
- 1** Stellen Sie sicher, dass der Montageort die folgenden Anforderungen erfüllt:
 - Die Oberfläche der Wand muss das Gerät tragen können.
 - Lassen Sie mindestens 5,1 cm (2 Zoll) Platz auf den Seiten für eine ordnungsgemäße Belüftung und 12,7 cm (5 Zoll) auf der Rückseite für das Stromversorgungskabel.
 - Der Aufstellungsort darf nicht direkter Sonneneinstrahlung ausgesetzt sein.
 - Der Aufstellungsort muss mindestens 61 cm (2 Fuß) von jeglichen Heizungs- oder Lüftungsschächten entfernt sein, und es sollte kein Lüftungsschacht einer Raumheizung in Richtung des Geräts zeigen.
 - Der Aufstellungsort muss belüftet sein, um Wärmestau zu verhindern.
 - Stellen Sie das Gerät nicht in der Nähe von Daten- oder Elektrokabeln auf.
 - Das Stromversorgungskabel muss bis an eine Steckdose heranreichen.
- 2** Bringen Sie das Wandmontage-Abdeckblech an einer Seite des Geräts an, und stellen Sie sicher, dass die Montagelöcher in einer Linie mit den Montagelöchern des Rackmontage-Abdeckblechs stehen. Die folgende Abbildung zeigt, wo die Abdeckbleche zu befestigen sind.

Abbildung 2-2. Montageblechinstallation für die Wandmontage



- 3** Setzen Sie die mitgelieferten Schrauben in die Löcher der Rackmontage ein und ziehen Sie sie mit einem Schraubenzieher fest.
- 4** Wiederholen Sie dies beim Wandmontageblech auf der anderen Seite des Geräts.
- 5** Stellen Sie das Gerät an die Position an der Wand, an der es montiert werden soll.
- 6** Kennzeichnen Sie die Stellen an der Wand, an denen die Schrauben für die Befestigung des Geräts angebracht werden sollen.
- 7** Bohren Sie an den markierten Stellen Löcher und platzieren Sie sämtliche Verschlussstopfen (nicht mitgeliefert) in den Löchern.
- 8** Bringen Sie das Gerät mit Schrauben (nicht mitgeliefert) an der Wand an. Stellen Sie sicher, dass die Lüftungslöcher nicht verstopft sind.

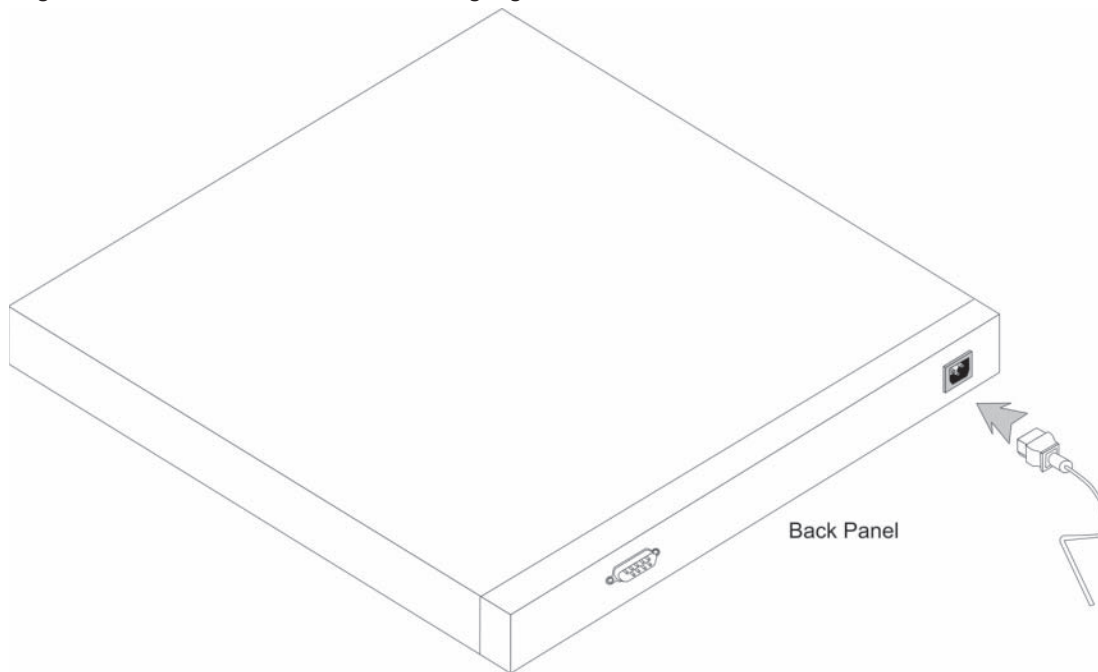
Abbildung 2-3. Montage des Geräts an einer Wand



Anschließen des Geräts an die Stromversorgung

- 1** Schließen Sie das mitgelieferte Standard-Stromversorgungskabel an den Stromanschluss auf der Rückseite an.
- 2** Schließen Sie das Netzkabel jetzt nicht an eine geerdete Wechselstromsteckdose an. Schließen Sie das Gerät gemäß den unter Starten und Konfigurieren des Geräts beschriebenen Schritten an eine Stromquelle an.

Abbildung 2-4. Anschließen an die Stromversorgung



- 3** Überprüfen Sie nach Anschluss des Geräts an die Stromversorgung dessen korrekten Anschluss und Betrieb, die durch die LEDs an der Vorderseite ausgewiesen werden.

Starten und Konfigurieren des Geräts

Nachdem Sie sämtliche externen Verbindungen vollständig hergestellt haben, fahren Sie fort wie folgt:

- Wenn das Gerät als Unmanaged Switch verwendet werden soll, wird keine Terminalverbindung benötigt.
- Eine Terminalverbindung wird benötigt, wenn das Gerät im Managed Modus verwendet werden soll.



ANMERKUNG: Der PowerConnect 2808 verfügt über einen internen seriellen Port.

Erweiterte Funktionen sind im *Dell™ PowerConnect™ 2800 Benutzerhandbuch* auf der Dokumentations-CD beschrieben.



ANMERKUNG: Bevor Sie fortfahren, lesen Sie bitte die Versionshinweise für dieses Produkt. Die Versionshinweise können unter <http://support.dell.com> heruntergeladen werden.



ANMERKUNG: Es wird empfohlen, die neueste Version der Benutzerdokumentation von der Dell Support-Website <http://support.dell.com> herunterzuladen.

Verwaltungsmodi

Der PowerConnect 2808/16/24/48 hat auf der Frontblende eine Taste, um den Modus zu ändern. Die Modus-Taste schaltet zwischen den Managed- und Unmanaged Modi um, bzw. ändert die Modi von Secure auf Managed. Beziehen Sie sich für eine vollständige Beschreibung der Management-Modi auf das *Dell™ PowerConnect™ 2800 Benutzerhandbuch* auf der Dokumentations-CD.

Verbinden des Geräts mit dem Netzwerk

Um einen Uplink-Port anzuschließen, verwenden Sie nicht abgeschirmte Torsionskabel (UTP – unshielded twisted pair) der Klasse 5 mit RJ-45-Steckverbindern an beiden Enden. Die RJ-45-Ports am Ethernet-Gerät unterstützen automatisch den MDI- (Media-Dependent Interface, medienabhängige Schnittstelle) bzw. MDIX-Betrieb (Media-Dependent Interface with internal crossover wiring, medienabhängige Schnittstelle mit internem Torsionskabel) im Auto-Verhandlungsmodus. Es können standard- mäßige Geradeauskabel für das Verbinden mit beliebigen anderen, Auto-Verhandlung unterstützenden Ethernet-Netzwerken (Systemen, Servern, Switches oder Routern) verwendet werden.



ANMERKUNG: Schließen Sie keinen Telefonsteckverbinder an einem RJ-45-Port an. Dies beschädigt das Ethernet-Gerät. Verwenden Sie nur Torsionskabel mit RJ-45-Steckverbindern, die den FCC-Normen entsprechen.



ANMERKUNG: Wenn die Auto-Verhandlung an den Anschlüssen abgeschaltet ist, muss ein Geradeaus- kabel verwendet werden.

Zum Anschließen des Geräts an das Netzwerk:

- 1 Verbinden Sie ein Ende des Torsionskabels mit dem RJ-45-Steckverbinder des Geräts und das andere Ende mit einem Switch oder Server.
- 2 Stellen Sie sicher, dass das Torsionskabel die Länge von 100 Metern (328 Fuß) jeweils nicht überschreitet.

Wenn Verbindungen gemacht werden, leuchtet jeweils die Verbindungs-LED am entsprechenden Port des Geräts auf (grün oder gelb) um anzuzeigen, dass die Verbindung zustande gekommen ist.

Anschließen des Terminals an das Gerät

Das Gerät unterstützt eine externe Konsolenschnittstelle in den Modellvarianten 28016/24/48. Das Gerät stellt eine Konsolenschnittstelle bereit, die eine Verbindung mit einem Terminal-Desktop-System mit einer Terminal-Emulations-Software zur Überwachung und Konfiguration des Geräts aktiviert.

Der Konsolen-Port ist ein DB9-Steckverbinder, der als Data Terminal Equipment (DTE)-Steckplatz ange- schlossen wurde.

Für die Verwendung des Konsolen-Port ist Folgendes erforderlich:

- VT100-kompatibler und über einen seriellen Port verfügbarer Terminal bzw. Desktop-Computer oder Notebook, auf dem VT100-Terminal-Emulation-Software ausgeführt wird.
- Ein RS-232 gekreuztes Netzkabel mit einer DB9-Steckerbuchse für die Konsolenschnittstelle und dem entsprechenden Anschluss für das Terminal.

Führen Sie folgende Schritte durch, um einen Terminal an den Konsolen-Port des Geräts anzuschließen:

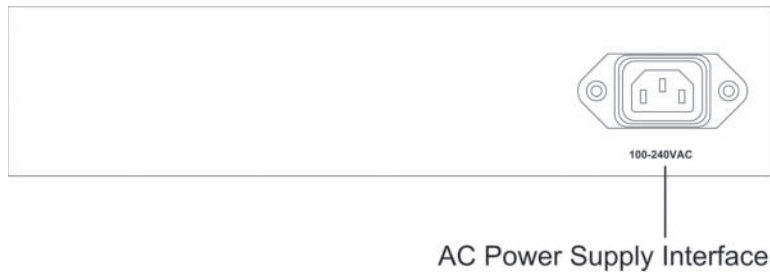
- 1 Schließen Sie das im Lieferumfang enthaltene RS-232 gekreuzte Netzkabel an das Terminal an, das unter einer VT100 Terminal-Emulation-Software läuft.
- 2 Stellen Sie sicher, dass die Terminal-Emulation-Software wie folgt eingestellt ist:
 - a Wählen Sie den entsprechenden seriellen Port (serieller Port 1 oder serieller Port 2) zum Anschluss an die Konsole.
 - b Setzen Sie die Datenübertragungsrate auf 9600 Baud.
 - c Setzen Sie das Datenformat auf 8 Datenbits, 1 Stoppbit und keine Parität.
 - d Stellen Sie Datenflusssteuerung auf „none“ (keine) ein.
 - e Wählen Sie unter „Properties“ (Eigenschaften) VT100 für den Emulationsmodus.
 - f Wählen Sie Terminaltasten für Funktions-, Pfeil-, und Strg-Tasten. Stellen Sie sicher, dass „Terminal keys“ (Terminaltasten) und nicht „Windows keys“ (Windows-Tasten) eingestellt ist.



HINWEIS: Wenn Sie HyperTerminal mit Microsoft® Windows 2000, Windows XP oder Windows Vista verwenden, stellen Sie sicher, dass Sie die neuesten Service-Packs installiert haben. Beim Windows 2000 Service-Pack 2 funktionieren die Pfeiltasten für die VT100-Emulation von HyperTerminal korrekt. Gehen Sie für Informationen über Service-Packs für Windows 2000, Windows XP und Windows Vista auf www.microsoft.com.

- 3 Schließen Sie die Anschlussbuchse des gekreuzten RS-232-Kabels direkt an dem Konsolen-Port des Geräts an, und ziehen Sie die unverlierbaren Befestigungsschrauben fest. Der Konsolen-Port befindet sich bei den Systemen der PowerConnect 2800 Reihe auf der Rückseite.

Abbildungen 3-1. Verbinden mit Konsolen-Port der PowerConnect 2800 Serie



Starten des Geräts – Managed Modus

Die in diesem Abschnitt beschriebene Vorgehensweise bezieht sich auf das Gerät, wenn es als Managed Switch betrieben werden soll. Die PowerConnect-Modelle 2808/16/24/48 verfügen über eine eingebaute Modusauswahltaste mit zwei Funktionen. Um zwischen den Modi Managed und Unmanaged umzuschalten, drücken Sie die Modusauswahltaste für weniger als sieben Sekunden.

Nachdem das Gerät für den Betrieb als Managed Switch eingestellt wurde, kann der Startvorgang auf dem angeschlossenen Terminal folgendermaßen überwacht werden:

- 1 Stellen Sie sicher, dass die Konsolenschnittstelle des Geräts an ein VT100-Terminalgerät oder einen VT100-Terminal-Emulator über das RS232 gekreuzte Netzkabel angeschlossen ist.
- 2 Machen Sie eine Netzanschlussbuchse ausfindig.
- 3 Deaktivieren Sie die Netzanschlussbuchse.
- 4 Schließen Sie das Gerät an die Netzbuchse an.
- 5 Aktivieren Sie die Netzanschlussbuchse.

Wenn der Strom eingeschaltet wird und das lokale Terminal bereits angeschlossen ist, durchläuft das Gerät einen Einschalt-Selbsttest (POST). POST wird jedes Mal ausgeführt, wenn das Gerät initialisiert wird, und überprüft die Hardware-Komponenten, um festzustellen, ob das Gerät vor dem Start vollständig betriebs- bereit ist. Wenn ein kritisches Problem entdeckt wird, wird der Programmfluss gestoppt. Wenn POST erfolgreich ausgeführt wurde, wird ein gültiges und ausführbares Bild in das RAM geladen. Einschalt-Selbsttest-Meldungen werden auf dem Terminal angezeigt und zeigen einen Erfolg oder einen Fehlschlag des Tests.

Der Startvorgang läuft im Unmanaged-Modus weniger als 45 Sekunden, und etwa 90 Sekunden in anderen Modi.

Ausgangskonfiguration – Managed Modus

Die in diesem Abschnitt beschriebenen Informationen und Vorgehensweisen beziehen sich auf das Gerät, wenn es als Switch im Managed-Modus eingestellt wurde.



HINWEIS: Der Switch wird von Werk aus im Unmanaged-Modus ausgeliefert. Siehe das Benutzerhandbuch für Dell™ PowerConnect™ 28xx Systeme, Kapitel 4, „Starten und Konfigurieren des Geräts“, für eine vollständige Beschreibung der Konfiguration des Geräts.



ANMERKUNG: Die einfache Anfangskonfiguration geht von folgenden Ausgangssituationen aus:

- Das PowerConnect-Gerät wurde niemals zuvor konfiguriert und ist in demselben Zustand in dem Sie es erhalten haben.
- Das PowerConnect-Gerät wurde erfolgreich gestartet.
- Der Konsolenanschluss ist vorhanden, und die Konsolen-Eingabeaufforderung wird auf dem Bildschirm eines VT100-Terminal-Geräts angezeigt. (Drücken Sie mehrmals die <Eingabetaste>, um zu überprüfen, dass das Anforderungszeichen erscheint.)

Die Anfangsgerätekonfiguration wird über den seriellen Port durchgeführt. Nach der ersten Konfiguration kann das Gerät entweder von dem bereits angeschlossenen seriellen Port verwaltet oder einer Schnittstelle fernverwaltet werden, die während der Anfangskonfiguration definiert wurde.

Wenn das Gerät zum erstenmal gestartet wurde oder die Konfigurationsdatei leer ist, weil das Gerät noch nicht konfiguriert wurde, wird der Benutzer aufgefordert, den Installationsassistenten zu verwenden. Der Installationsassistent bietet eine Führung durch die einführende Gerätekonfiguration und verhilft Ihnen zum schnellstmöglichen Einsatz des Geräts.



ANMERKUNG: Vor der Ausgangskonfiguration des Geräts müssen die folgenden Informationen vom Netzwerkadministrator eingeholt werden:

- IP-Adresse der SNMP-Communityzeichenfolge und des SNMP-Management-Systems (optional).
- Benutzername und Kennwort.
- Die IP-Adresse, die der VLAN 1-Schnittstelle zugewiesen werden soll, über die das Gerät verwaltet wird (standardmäßig ist jede externe und interne Schnittstelle ein Mitglied von VLAN 1).
- Die IP-Teilnetzmaske für das Netzwerk.
- IP-Adresse des Standard-Gateways (Next-Hop-Router) für die Konfiguration der Standard-Route.

Der Installationsassistent führt Sie durch die Erstkonfiguration des Switch und verhilft Ihnen zum schnellstmöglichen Einsatz des Systems. Sie können den Installationsassistenten überspringen und das Gerät manuell über den Geräte-CLI-Modus konfigurieren. Schlagen Sie im *PowerConnect 2800 Serie-Benutzerhandbuch* nach, um Hilfe beim Konfigurieren des Geräts unter Verwendung von CLI zu erhalten.

Der Installationsassistent konfiguriert die folgenden Felder:

- IP-Adresse der SNMP-Communityzeichenfolge und des SNMP-Managementsystems (optional)
- Benutzername und Kennwort
- IP-Adresse des Geräts
- IP-Subnetzmaske
- IP-Adresse des Standard-Gateways

Der Installationsassistent zeigt folgende Informationen an:

```
Welcome to Dell Easy Setup Wizard.
```

```
The Setup Wizard guides you through the initial switch configuration, and gets you up and running as quickly as possible. You can skip the setup wizard, and enter CLI mode to manually configure the switch. The system will prompt you with a default answer; by pressing enter, you accept the default. You must respond to the next question to run the setup wizard within 60 seconds, otherwise the system will continue with normal operation using the default system
```

```
Would you like to enter the setup wizard (you must answer this question within 60 seconds)? (Y/N) [Y] Y
```

(Willkommen beim „Easy Setup Wizard“ (benutzerdefinierter Installationsassistent) von Dell.

Der Installationsassistent führt Sie durch die erste Switch-Konfiguration und verhilft Ihnen zum schnellstmöglichen Erfolg. Sie können den Installationsassistent umgehen und stattdessen den CLI-Modus aktivieren, um den Switch manuell zu konfigurieren. Das System zeigt Ihnen eine Standardantwort an. Wenn Sie die Eingabetaste drücken, nehmen Sie die Standardeinstellungen an. Sie müssen auf die nächste Frage zum Installationsassistent innerhalb von 60 Sekunden antworten, oder das System fährt mit der Standardeinstellung fort.

Möchten Sie den Installationsassistent benutzen (Sie müssen diese Frage innerhalb von 60 Sekunden beantworten)? (Y/N) [Y] Y



ANMERKUNG: Wenn Sie auswählen, dass Sie den Installationsassistenten nicht benutzen möchten, können Sie unter Verwendung der Standard-IP-Adresse/Maske (192.168.2.1/255.255.255.0) auf das Webinterface zugreifen.



ANMERKUNG: Sie können den Installationsassistenten jederzeit über die Tastenkombination [Strg+Z] beenden.

Installationsassistent – Schritt 1

Diese Meldung zeigt folgende Informationen an:

```
The system is not setup for SNMP management by default.
```

```
To manage the switch using SNMP (required for Dell Network Manager) you can:
```

```
*Setup the initial SNMP Version 2 account now
```

```
*Return later and setup additional SNMP v1/v2 accounts
```

```
For more information on setting up SNMP accounts, please see the user documentation.
```

```
Would you like to setup the SNMP management interface now? (Y/N) [Y] Y
```

(Das System ist nicht standardmäßig für eine Steuerung über SNMP konfiguriert.

Führen Sie die folgenden Schritte aus, um den Switch über SNMP zu steuern (erforderlich für den Dell Netzwerk-Manager):

Eingangskonto für SNMP-Version 2 jetzt einrichten.

Kehren Sie später zurück, und richten Sie zusätzliche SNMP v1/v2-Konten ein.

Weitere Informationen über die Einrichtung eines SNMP-Kontos finden Sie in der Benutzerdokumentation.

Möchten Sie die SNMP-Managementschnittstelle jetzt installieren? (Y/N) [Y] Y

Geben Sie [N] ein, um zu Schritt 2 zu gehen.

Geben Sie [Y] ein, um mit dem Installationsassistent fortzufahren. Es werden folgende Informationen angezeigt:

```
To setup the SNMP management account you must specify the
managementsystem IP address and the "community string" or password
that the particular management system uses to access the switch. The
wizard automatically assigns the highest access level [Privilege Level
15] to this account.
```

```
You can use Dell Network Manager or CLI to change this setting, and to
add additional management systems. For more information on
adding management systems, see the user documentation.
```

```
To add a management station:
```

```
Please enter the SNMP community string to be
used: [Dell_Network_Manager]
```

(Für das Einrichten eines SNMP-Managementkontos müssen Sie die IP-Adresse des Managementsystems und die Communityzeichenfolge oder das Kennwort festlegen, die das Managementsystem verwendet, um auf den Switch zuzugreifen. Der Assistent vergibt automatisch die höchste Zugriffsstufe [Zugriffsstufe 15] für dieses Konto.

Sie können den Dell Netzwerkmanager oder die Konsolen-Eingabeaufforderung (CLI) verwenden, um diese Einstellungen zu ändern oder um zusätzliche Managementsysteme zu installieren. Weitere Informationen zum Hinzufügen von Managementsystemen finden Sie in Ihrer Benutzerdokumentation.

So fügen Sie eine Management-Station hinzu:

```
Geben Sie bitte die zu verwendende SNMP-Communityzeichenfolge ein
[Dell_Network_Manager])
```

Geben Sie bitte die IP-Adresse des Managementsystems (A.B.C.D) oder eine Wildcard (0.0.0.0) ein, um die Steuerung von jeder Management-Station aus zu ermöglichen: [0.0.0.0]

Installationsassistent – Schritt 2

Es werden folgende Informationen angezeigt:

```
Now we need to setup your initial privilege (Level 15) user account.  
This account is used to login to the CLI, Telnet and Web interface.  
You may setup other accounts and change privilege levels later.  
For more information on setting up user accounts and  
changing privilege levels, see the user documentation.
```

```
To setup a user account:
```

```
Enter the user name<1-20>: [admin]
```

```
Please enter the user password:*****
```

```
Please reenter the user password:*****
```

(Richten Sie nun Ihr anfängliches Zugangsbenutzerkonto (Stufe 15) ein.

Dieses Konto wird für die Anmeldung an der Konsolen-Eingabeaufforderung (CLI), Telnet und am Internet verwendet.

Sie können später weitere Konten einrichten und Zugriffsstufen ändern.

Weitere Informationen zum Einrichten von Benutzerkonten und zum Ändern von Zugriffsstufen finden Sie in der Benutzerdokumentation.

So richten Sie ein Benutzerkonto ein:

```
Geben Sie den Benutzernamen ein <1-20>: [admin]
```

```
Geben Sie das Benutzerkennwort ein:
```

```
Geben Sie das Benutzerkennwort noch einmal ein:)
```

Installationsassistent – Schritt 3

Es werden folgende Informationen angezeigt:

```
Next, an IP address is setup.
```

```
The IP address is defined on the default VLAN, (VLAN #2). This is  
the IP address you use to access the Telnet, Web interface, or  
SNMP interface for the switch. To setup an IP address:
```

```
Please enter the IP address of the device (A.B.C.D): 10.6.22.100
```

```
Please enter the IP subnet mask (A.B.C.D or nn): [255.255.255.224]
```

(Als Nächstes wird eine IP-Adresse eingerichtet.

Die IP-Adresse wird über das standardmäßige VLAN, (VLAN #2) festgelegt. Es ist die IP-Adresse, die Sie für den Zugang zu Telnet, die Internet- oder die SNMP-Schnittstelle für den Switch benötigen. So richten Sie eine IP-Adresse ein:

Geben Sie bitte die IP-Adresse des Geräts ein (A.B.C.D): 10.6.22.100

Geben Sie bitte die IP-Subnetzmaske ein (A.B.C.D oder nm): [255.255.255.224]

Installationsassistent – Schritt 4

Es werden folgende Informationen angezeigt:

```
Finally, setup the default gateway.
```

```
Please enter the IP address of the gateway from which this network  
is reachable (e.g. 192.168.1.1). Default gateway (A.B.C.D): [10.6.22.97]
```

(Nun können Sie das Standard-Gateway einrichten.

Geben Sie die IP-Adresse des Gateways an, von dem aus man das Netzwerk erreicht
(z. B. 192.168.1.1). Standard-Gateway (A.B.C.D): [10.6.22.97])

Geben Sie das Standard-Gateway ein.

Drücken Sie die Eingabetaste. Daraufhin werden die folgenden Informationen angezeigt (wie in den Beispielparametern beschrieben):

```
This is the configuration information that has been collected:
```

```
=====
```

```
SNMP Interface = Dell_Network_Manager@0.0.0.0
```

```
User Account setup = admin
```

```
Password = *****
```

```
Management IP address = 10.6.22.100 255.255.255.224
```

```
Default Gateway is 10.6.22.97
```

```
=====
```

(Es wurden die folgenden Konfigurationsdaten ermittelt:

```
=====
SNMP Schnittstelle = Dell_Network_Manager@0.0.0.0
Setup Benutzerkonto = admin
Kennwort = *****
Management-IP-Adresse = 10.6.22.100 255.255.255.224
Default Gateway ist 10.6.22.97
=====)
```

Installationsassistent – Schritt 5

Es werden folgende Informationen angezeigt:

```
If the information is correct, please select (Y) to save
theconfiguration, and copy to the start-up configuration file. If
theinformation is incorrect,select (N) to discard configuration
andrestart the wizard: (Y/N) [Y] Y
```

Configuring SNMP management interface.

Configuring user account.....

Configuring IP and subnet.....

Thank you for using Dell Easy Setup Wizard.

(Wenn die Daten korrekt angezeigt werden, klicken Sie bitte auf (Y), um die Konfiguration zu speichern und die Startup-Konfigurationsdatei zu kopieren. Sollten die Daten nicht korrekt sein, klicken Sie bitte auf (N), um die Konfiguration zu verwerfen und den Assistenten erneut aufzurufen: (Y/N) [Y] Y

Konfigurieren der SNMP-Managementschnittstelle.

Konfigurieren des Benutzerkontos.....

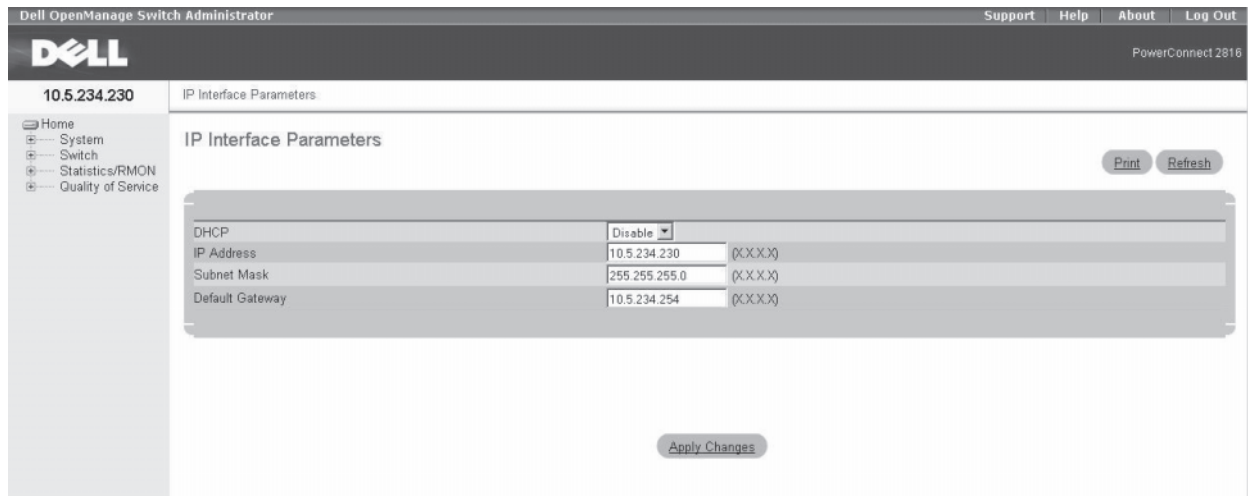
Konfigurieren von IP und Subnetz.....

Vielen Dank, dass Sie den benutzerdefinierten Installationsassistent von Dell verwendet haben.)

Web-Konfiguration

- 1 Öffnen Sie in der Internet-Benutzeroberfläche das Fenster System IP-Adresse.

Abbildungen 3-2. Benutzeroberfläche für Internetkonfiguration



- 2 Geben Sie die IP-Adresse, Subnetzmaske und den Standard-Gateway ein.
- 3 Klicken Sie auf Apply Changes (Änderungen übernehmen). Das Gerät wurde konfiguriert.

Die neu eingeführte Eco-Funktion zur Schonung der Umwelt: Green Ethernet

Die Green Ethernet-Funktion verbessert den Energieverbrauch des Netzwerks. Die Green Ethernet-Strom-spartechnologie verringert den Stromverbrauch bei Erkennen eines *Link Down* und/oder eines *Short Reach*, indem sichergestellt wird, dass Netzwerke weniger Strom pro Port benutzen und umweltverträglicher sind, ohne Einbußen bei der Netzwerkintegrität zu verzeichnen.

Die Modi *Energy-Detection* und *Short-Reach* sind standardmäßig aktiviert.

Betriebsbestimmungen

Weitere Zulassungsbestimmungen finden Sie auf unserer Website www.dell.com unter www.dell.com/regulatory_compliance.

información NOM (únicamente para México)

La información siguiente se proporciona en el dispositivo o dispositivos descritos en este documento, en cumplimiento con los requisitos de la Norma oficial mexicana (NOM):

Exportador:	Dell Inc. One Dell Way Round Rock, TX 78682 USA
Importador:	Dell México, S.A. de C.V. Paseo de la Reforma 2620 - 11° Piso Col. Lomas Altas 11950 México, D.F.
Enviar a:	Dell México, S.A. de C.V. al Cuidado de Kuehne & Nagel de México S. de R.L. Avenida Soles No. 55 Col. Peñon de los Baños 15520 México, D.F.

Dell PowerConnect™

Modelo	Voltaje de alimentación	Frecuencia	Consumo eléctrico
2808	100-240 VAC	50-60 Hz	0,75 A
2816	100-240 VAC	50-60 Hz	0,75 A
2824	100-240 VAC	50-60 Hz	1 A
2848	100-240 VAC	50-60 Hz	1,8 A

Informação sobre Órgão Regulador

A marca de certificação se aplica a este Equipamento de Rede de Dados
Para maiores consultas sobre ANATEL visite o site: www.anatel.gov.br

Systemes Dell™ PowerConnect™ 28xx

Guide de mise en route

Remarques, avis et précautions



REMARQUE : une REMARQUE indique une information importante qui peut vous aider à mieux utiliser l'appareil.



AVIS : un AVIS indique un dommage matériel ou une perte de données potentiels et comment éviter le problème.



PRÉCAUTION : une PRÉCAUTION indique un risque potentiel de dommage matériel ou corporel, ou de mort.

Les informations contenues dans ce document sont sujettes à modification sans préavis.

© 2008 Dell Inc. Tous droits réservés.

La reproduction de ce document, de quelque manière que ce soit, sans l'autorisation écrite de Dell Inc. est strictement interdite.

Marques utilisées dans ce document : *Dell*, *Dell OpenManage*, le logo *DELL*, *Inspiron*, *Dell Precision*, *Dimension*, *OptiPlex*, *PowerConnect*, *PowerApp*, *PowerVault*, *Axim*, *DellNet* et *Latitude* sont des marques de Dell Inc. *Microsoft* et *Windows* sont des marques déposées de Microsoft Corporation.

D'autres marques et noms commerciaux peuvent être utilisés dans ce document pour faire référence aux entités se réclamant de ces marques et de ces noms ou à leurs produits. Dell Inc. rejette tout intérêt propriétaire dans les marques et les noms commerciaux autres que les siens.

Table des matières

1	Installation	
	Présentation	53
	Préparation du site	54
	Exigences du site	54
	Déballage	54
	Contenu de l'emballage	54
	Déballage du périphérique	54
2	Montage du périphérique	
	Présentation	55
	Précautions d'installation	55
	Installation du périphérique en rack	56
	Installation sur une surface plane	57
	Installation sur un mur	57
	Connexion d'un périphérique sur un bloc d'alimentation	59
3	Mise en route et configuration du périphérique	
	Modes de gestion	61
	Connexion du périphérique au réseau	61
	Connexion du terminal à l'appareil	62
	Démarrage de l'unité - Mode Géré	63
	Configuration initiale - Mode Géré	63
	Configuration Web	69
	Nouvelle fonction écologique : Ethernet vert	69
	Réglementations	70
	información NOM (únicamente para México)	70
	Informação sobre Órgão Regulador	70

Installation

Présentation

Ce document contient des informations de base pour l'installation et le fonctionnement des commutateurs Gigabit Ethernet gérés par le Web de la série PowerConnect 2800 :

- PowerConnect 2808
- PowerConnect 2816
- PowerConnect 2824
- PowerConnect 2848

La série PowerConnect 2800 sert à connecter des stations de travail et d'autres périphériques réseau, par exemple :

- Des serveurs
- Des concentrateurs
- Des routeurs

Les périphériques PowerConnect sont principalement conçus pour les petites structures d'entreprise ou familiales (Small Office/Home Office - SOHO) exigeant une haute connectivité de périphérie réseau. Ces périphériques PowerConnect sont idéaux pour les petites et moyennes entreprises exigeant une haute connectivité de périphérie réseau et des fonctions de gestion Web avancées. Les fonctions de gestion PowerConnect sont conçues pour réduire les tâches administratives tout en optimisant et améliorant le contrôle du trafic réseau.

Le commutateur est en mode non-géré lorsqu'il quitte l'usine pour vous être livré. Si vous souhaitez utiliser le commutateur dans ce mode, il vous suffit de le brancher et de l'utiliser tel quel. Aucune configuration n'est requise. Si vous souhaitez utiliser le commutateur en mode géré, vous devez le faire passer du mode non-géré au mode géré, comme expliqué dans le Guide d'utilisation Dell™ PowerConnect™ série 2800, disponible sur le CD de documentation. Vous pouvez également consulter le site de support Dell à l'adresse www.support.dell.com pour obtenir les documentations et mises à jour les plus récentes.

Préparation du site

Exigences du site

Les périphériques PowerConnect 2808/16/24/48 peuvent être montés dans un rack standard, placés sur une table ou montés sur un mur.

Avant d'installer le périphérique, assurez-vous que l'emplacement choisi pour l'installation satisfait aux exigences de site suivantes :

- **Alimentation** — Le périphérique est installé à moins de 1,5 m (5 pieds) d'une prise 220/110 VCA, 50/60 Hz mise à la terre et facilement accessible. Si le périphérique est équipé de deux blocs d'alimentation, le site doit posséder deux prises munies de dispositifs d'alimentation distincts.
- **Général** — Assurez-vous que le bloc d'alimentation est correctement installé.
- **Dégagement** — Il doit y avoir assez d'espace pour que l'opérateur puisse accéder à l'appareil. Assurez-vous de laisser de l'espace pour le câblage, les branchements électriques et la ventilation.
- **Câblage** — Le chemin des câbles évite les sources de bruit électrique comme les émetteurs-transmetteurs radio, les amplificateurs de diffusion, les lignes d'alimentation et les platines de lumière fluorescente.
- **Environnement** — La température ambiante de fonctionnement du périphérique est de 0 à 45 °C (32 à 113 °F) avec une humidité relative allant jusqu'à 95 %, sans condensation. Vérifiez que le boîtier du périphérique est à l'abri de l'eau et de l'humidité.

Déballage

Contenu de l'emballage

Pendant le déballage de l'unité, assurez-vous que les articles suivants sont inclus :

- Le périphérique
- Un câble d'alimentation en CA
- Taquets en caoutchouc adhésifs (pour une installation en étage)
- Un kit de montage pour une installation en rack
- Le CD de documentation
- Guide d'information sur le produit

Déballage du périphérique

Pour déballer le périphérique PowerConnect :



REMARQUE : avant de déballer le périphérique, inspectez l'emballage et signalez immédiatement tout signe de dommage.

- 1 Mettez le carton sur une surface plane et propre.
- 2 Ouvrez le carton ou retirez sa partie supérieure.
- 3 Retirez soigneusement l'appareil du conteneur et placez-le sur une surface stable et propre.
- 4 Retirez tout le matériel d'emballage.
- 5 Vérifiez si le produit est endommagé. Signalez immédiatement tout signe de dommage.

Montage du périphérique

Présentation

Les instructions de montage suivantes s'appliquent aux périphériques PowerConnect 2808/16/24/48. Il existe trois options de montage :

- Installation dans un rack
- Installation sur une surface plane
- Installation sur un mur

Précautions d'installation

 **PRÉCAUTION** : avant d'effectuer l'une des procédures décrites dans cette section, consultez et respectez les consignes de sécurité du *Guide d'information sur le produit*.

 **PRÉCAUTION** : observez les points suivants avant d'effectuer les procédures de cette section :

- Assurez-vous que le rack ou le placard où se situe le périphérique est correctement fixé afin d'éviter qu'il ne bouge ou ne tombe.
- Assurez-vous que les circuits d'alimentation électrique sont correctement mis à la terre.
- Observez et suivez les marquages de la maintenance. N'effectuez la maintenance d'un périphérique vous-même qu'en adhérant strictement aux explications fournies dans la documentation de votre système. Si vous ouvrez et retirez les panneaux dotés d'un symbole triangulaire illustré d'un éclair, vous risquez de vous faire électrocuter. Seuls les techniciens de service qualifiés sont habilités à manipuler ces composants.
- Assurez-vous que le câble d'alimentation, le câble d'extension et/ou la prise ne sont pas endommagés.
- Assurez-vous que le périphérique est à l'abri de l'eau.
- Assurez-vous que le périphérique est éloigné des radiateurs et/ou de toute autre source de chaleur.
- Assurez-vous que les grilles de refroidissement ne sont pas obstruées.
- N'introduisez pas de corps étranger dans le périphérique, vous risquez de provoquer un incendie ou de vous faire électrocuter.
- Utilisez le périphérique uniquement avec l'équipement homologué.
- Laissez le périphérique refroidir avant de retirer les panneaux ou de toucher l'équipement interne.

- Assurez-vous que le périphérique ne surcharge pas les circuits d'alimentation, le câblage et la protection contre les surintensités. Pour connaître la capacité des circuits d'alimentation, additionnez les valeurs nominales d'ampérage de tous les commutateurs installés sur le même circuit que le périphérique. Comparez le total obtenu avec la limite de valeur nominale du circuit.
- N'installez pas le périphérique dans un environnement où la température de fonctionnement pourrait dépasser 40 °C (104 °F).
- Assurez-vous que l'air à l'avant, sur les côtés et à l'arrière du périphérique peut circuler librement.

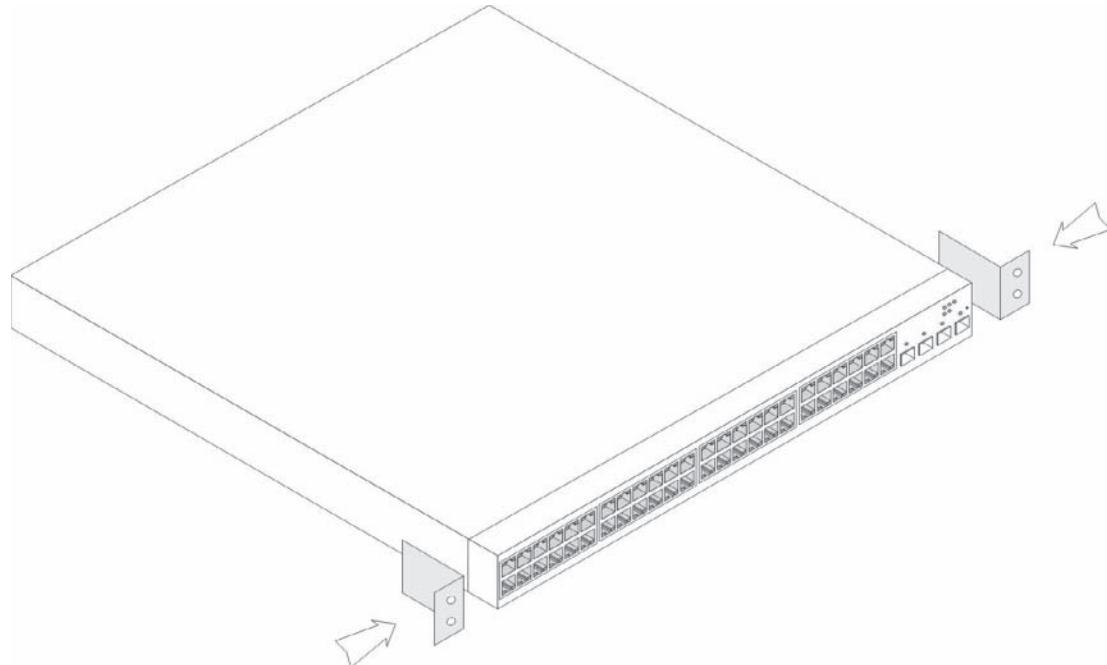
Installation du périphérique en rack

- ⚠ PRÉCAUTION : lisez les consignes de sécurité du Guide d'information Esur le produit sans oublier les consignes de sécurité des périphériques venant se connecter ou prenant en charge le périphérique.**
- ⚠ PRÉCAUTION : déconnectez tous les câbles du périphérique avant de le monter en rack ou dans un placard.**
- ⚠ PRÉCAUTION : si vous montez plusieurs périphériques dans un rack, faites-le en commençant par le bas.**

Installez le périphérique dans le rack comme suit :

- 1 Placez la languette métallique de montage sur rack sur un côté du périphérique en vous assurant que les trous de montage sont alignés sur les trous de montage de la languette métallique de montage sur rack. La figure suivante illustre le montage des languettes métalliques.

Figure 2-1. Installation des languettes métalliques pour le montage en rack



- 2 Insérez les vis fournies dans les trous de montage du rack et serrez-les à l'aide d'un tournevis.
- 3 Répétez ce processus pour la languette métallique de montage sur rack à installer sur l'autre côté de l'appareil.

- 4 Insérez le périphérique dans le rack, en vérifiant que les trous de montage en rack du périphérique s'alignent sur les trous de montage sur le rack.
- 5 Fixez le périphérique au rack au moyen des vis de rack (non fournies). Serrez la paire inférieure de vis avant la paire supérieure de vis. Assurez-vous que les trous de ventilation ne sont pas obstrués.

Installation sur une surface plane

Le périphérique doit être installé sur une surface plane s'il n'est pas installé dans un rack. La surface doit pouvoir soutenir le poids du périphérique et de ses câbles.

- 1 Collez les taquets adhésifs en caoutchouc (fournis avec le périphérique) sur chaque indication d'emplacement au-dessous du châssis.
- 2 Posez le périphérique sur une surface plane, en veillant à laisser un espace de 2 pouces (5,08 cm) de chaque côté et 5 pouces (12,7 cm) à l'arrière.
- 3 Assurez-vous que l'appareil est bien aéré.

Installation sur un mur

Pour monter le périphérique sur un mur :

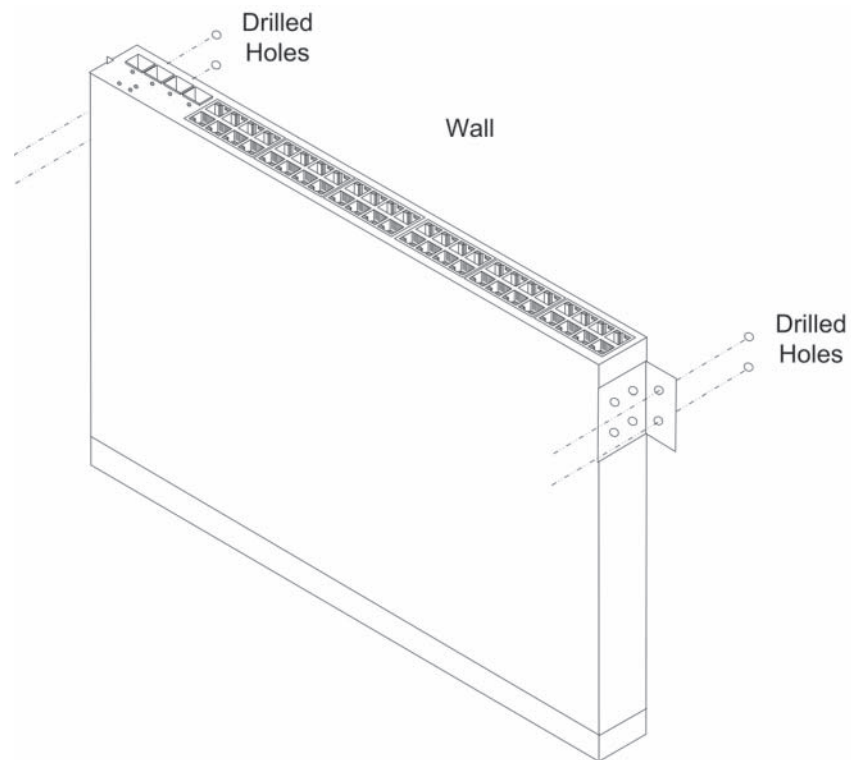
- 1 Vérifiez que l'emplacement de montage est conforme aux exigences suivantes :
 - Le mur de montage doit pouvoir supporter le poids du périphérique.
 - Ménagez un espace d'au moins 2 pouces (5,1 cm) sur les côtés pour une ventilation adéquate et 5 pouces (12,7 cm) à l'arrière pour faire passer le câble d'alimentation.
 - L'emplacement ne doit pas être exposé directement aux rayons du soleil.
 - L'emplacement doit se situer à une distance minimum de 2 pieds (61 cm) de toute entrée d'air. Les entrées d'air ne doivent pas être orientées directement vers le périphérique.
 - L'emplacement doit être ventilé pour prévenir une surchauffe.
 - Ne placez pas le périphérique à proximité de câbles de données ou électriques.
 - Le câble d'alimentation doit être à la portée d'une prise murale.
- 2 Placez une des languettes métalliques de montage sur rack fournies sur un côté de l'unité en vous assurant que les trous de montage de celui-ci s'alignent sur les trous de montage de la languette métallique de montage sur rack. La figure suivante illustre le montage des languettes métalliques.

Figure 2-2. Installation des languettes métalliques pour le montage en rack



- 3** Insérez les vis fournies dans les trous de montage sur rack et serrez-les à l'aide d'un tournevis.
- 4** Répétez ce processus pour la languette métallique de montage sur rack à installer sur l'autre côté de l'appareil.
- 5** Placez l'unité contre le mur à l'emplacement réservé à cet effet.
- 6** Marquez les emplacements à percer pour y introduire les vis de fixation.
- 7** Percez les trous aux endroits marqués et insérez des chevilles (non fournies) à l'intérieur.
- 8** Fixez l'unité au mur au moyen de vis (non fournies). Assurez-vous que les trous de ventilation ne sont pas obstrués.

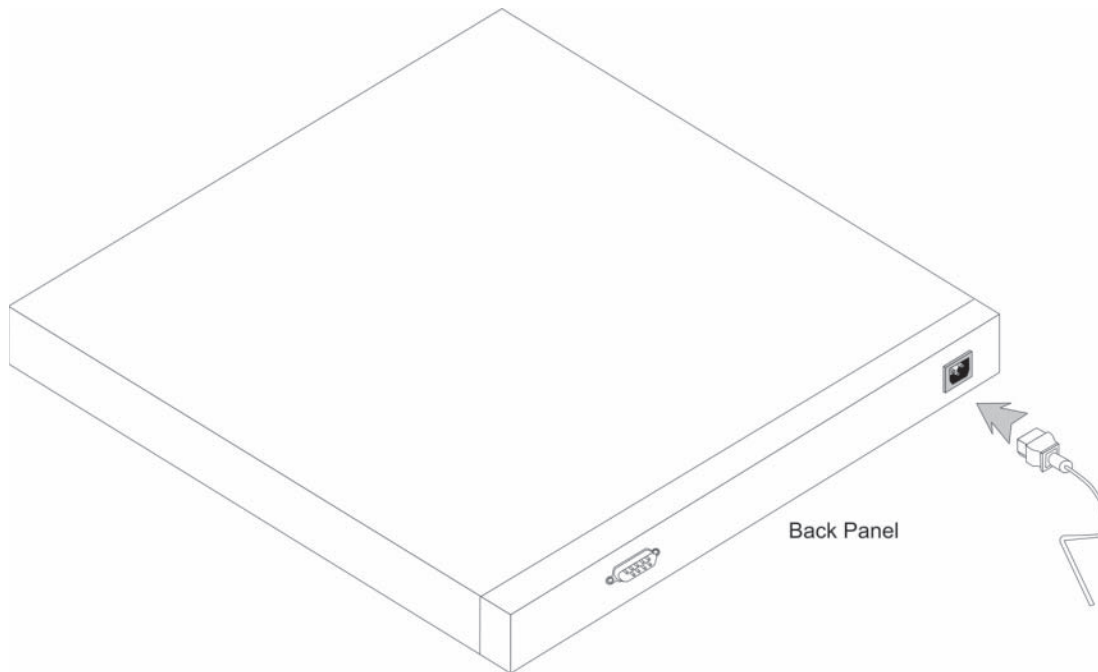
Figure 2-3. Montage du périphérique sur un mur



Connexion d'un périphérique sur un bloc d'alimentation

- 1** Raccordez le câble d'alimentation CA fourni au connecteur d'alimentation CA situé sur le panneau arrière.
- 2** Ne raccordez pas tout de suite le câble d'alimentation à une prise électrique CA mise à la terre. Connectez l'unité à une source d'alimentation électrique comme vu dans les étapes de la section Mise en route et configuration du périphérique.

Figure 2-4. Connexion sur un bloc d'alimentation



- 3** Après avoir connecté le périphérique à une source d'alimentation électrique, vérifiez les DEL du panneau avant pour vous assurer que l'unité est bien connectée et fonctionne correctement.

Mise en route et configuration du périphérique


Une fois toutes les connexions externes effectuées, procédez comme suit :

- Si l'unité est utilisée en tant que commutateur non géré, aucune connexion au terminal n'est nécessaire.
- Une telle connexion s'avère nécessaire si l'unité doit être utilisée en mode géré.

 **REMARQUE** : le PowerConnect 2808 possède un port série interne.

Vous trouverez la description des fonctions avancées dans le *Guide d'utilisation Dell™ PowerConnect™ 2800* situé sur le CD de documentation.

 **REMARQUE** : avant de continuer, lisez les notes de mise à jour pertinentes à ce produit. Les notes de mise à jour peuvent être téléchargées à partir du site <http://support.dell.com>.


 **REMARQUE** : nous vous recommandons de vous procurer la révision la plus récente de la documentation destinée à l'utilisateur depuis le site Web de support technique de Dell à l'adresse <http://support.dell.com>.

Modes de gestion

Le panneau avant du PowerConnect 2808/16/24/48 est équipé d'un bouton Mode. Le bouton Mode sert à basculer entre les modes Géré et Non géré, ou Sécurisé et Géré. Pour obtenir une description détaillée des modes de gestion, reportez-vous au *Guide d'utilisation Dell™ PowerConnect™ 2800* situé sur le CD de documentation.

Connexion du périphérique au réseau

Pour se connecter à un port ascendant, utilisez des câbles en paire torsadée non blindée (UTP) de catégorie 5 avec des connecteurs RJ-45 aux deux extrémités. Les ports RJ-45 du périphérique Ethernet prend en charge l'interface dépendante du média (Media-Dependent Interface) automatique avec câblage de jonction interne (MDI/MDIX) en mode Négociation automatique. Les câbles en paire torsadée directs standard peuvent être utilisés pour connecter tout autre réseau Ethernet (système, serveur, commutateur ou routeur) prenant en charge la négociation automatique.

 **REMARQUE** : ne branchez pas de prise de téléphone dans un port RJ-45. Ceci endommagerait le module commutateur Ethernet. Utilisez uniquement des câbles en paire torsadée avec les connecteurs RJ-45 conformes aux normes FCC.

 **REMARQUE** : si la négociation automatique est désactivée sur tous les ports, un câble direct doit être utilisé.

Pour connecter le périphérique au réseau :

- 1 Branchez une extrémité d'un câble en paire torsadée au connecteur RJ-45 du commutateur et l'autre extrémité à un commutateur ou à un serveur.

- 2 Veillez à ce que chaque câble en paire torsadée ait une longueur inférieure ou égale à 328 pieds (100 mètres).

À chaque connexion, la DEL de liaison correspondant à chaque port de l'unité s'allume (en vert ou en orange) pour signifier que la connexion est établie.

Connexion du terminal à l'appareil

Le périphérique est équipé d'un port console sur les modèles 28016/24/48 qui permet de le connecter à un système de bureau fonctionnant sous un logiciel d'émulation de terminal afin de contrôler et de configurer l'unité.

Le connecteur de port console est en fait un connecteur DB-9 mâle, qui sert de connecteur d'équipement de terminal de données (DTE).

Pour utiliser le port console, vous aurez besoin de :

- Un terminal compatible VT100 ou un système de bureau ou portable avec un port série et un logiciel d'émulation de terminal VT100.
- Un câble de jonction RS-232 doté d'un connecteur DB-9 femelle pour le port console et du connecteur approprié pour le terminal.

Pour connecter un terminal au port console du périphérique :

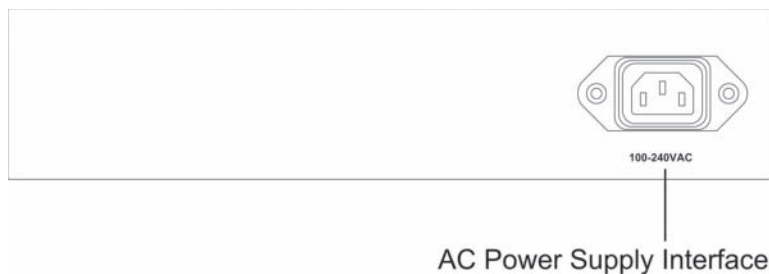
- 1 Raccordez le câble de jonction RS-232 fourni au terminal fonctionnant sous un logiciel d'émulation de terminal VT100.
- 2 Assurez-vous que le logiciel d'émulation de terminal est configuré de la façon suivante :
 - a Sélectionnez le port série approprié (port série 1 ou 2) à relier à la console.
 - b Configurez le taux de transfert des données à 9600 bauds.
 - c Configurez le format de données à 8 bits de données, 1 bit d'arrêt et aucune parité.
 - d Paramétrez le contrôle du flux sur none (aucun).
 - e Sous Propriétés, sélectionnez le mode VT100 pour émulation.
 - f Sélectionnez Touches du terminal pour les touches de fonction, de direction et Ctrl. Assurez-vous que le paramètre est configuré sur Touches du terminal (et non sur Touches Windows).



AVIS : si vous utilisez HyperTerminal avec Microsoft® Windows 2000, Windows XP ou Windows Vista, assurez-vous que les Service Packs les plus récents sont installés. Lorsque le Service Pack 2 de Windows 2000 est installé, les touches de direction fonctionnent correctement avec l'émulation VT100 d'HyperTerminal. Rendez-vous sur www.microsoft.com pour obtenir des informations sur les service packs Windows 2000, Windows XP et Windows Vista.

- 3 Reliez le connecteur femelle du câble de jonction RS-232 directement au port de console du périphérique et serrez les vis captives. Le port de console sur les unités de la série PowerConnect 2800 est situé sur le panneau arrière.

Figure 3-1. Connexion au port console des unités de la série PowerConnect 2800



Démarrage de l'unité - Mode Géré

La procédure décrite dans cette section concerne le mode Géré du périphérique. Les modèles PowerConnect 2808/16/24/48 comprennent un bouton Mode intégré double emploi. Pour basculer entre les modes Géré et Non géré, appuyez sur le bouton Mode moins de sept secondes.

Une fois le périphérique configuré pour fonctionner en tant que commutateur géré, la procédure d'amorçage peut être contrôlée sur le terminal connecté comme suit :


- 1 Assurez-vous que le port console de l'appareil est connecté à un dispositif terminal VT100 ou un émulateur de terminal VT100 au moyen du câble de jonction RS-232.
- 2 Trouvez une prise secteur.
- 3 Désactivez la prise secteur.
- 4 Connectez le périphérique sur la prise secteur.
- 5 Activez la prise secteur.

Lorsque le périphérique est mis sous tension alors que le terminal local est déjà connecté, il effectue un POST (auto-test de démarrage). Le POST s'effectue chaque fois que le périphérique est initialisé et vérifie les composants matériels afin de déterminer si le périphérique fonctionne totalement avant de poursuivre l'initialisation. Si un problème critique est détecté, le flux du programme s'arrête. Si le POST réussit, une image exécutable valide est chargée dans la mémoire vive (RAM). Les messages de POST qui s'affichent sur le terminal indiquent la réussite ou l'échec du test.

La procédure d'amorçage prend moins de 45 secondes lorsque le commutateur est en mode non géré, et environ 90 secondes dans les autres modes.

Configuration initiale - Mode Géré

Les informations et procédures décrites dans cette section concernent le mode Géré du périphérique.

 **REMARQUE** : le commutateur est en mode non géré lorsqu'il quitte l'usine. Reportez-vous au Guide d'utilisation des systèmes Dell™ PowerConnect™ 28xx, Chapitre 4 « Mise en route et configuration du périphérique » pour une description complète de la configuration du périphérique.

 **REMARQUE** : les conditions suivantes doivent être remplies préalablement à la configuration initiale :

- Le périphérique PowerConnect n'a jamais été configuré auparavant et se trouve dans l'état où vous l'avez reçu.

- L'initialisation du périphérique PowerConnect a réussi.
- La connexion console est établie et l'invite de console s'affiche à l'écran d'un terminal VT100. (Appuyez plusieurs fois sur la touche <Entrée> pour vérifier que l'invite s'affiche correctement.)

La configuration initiale du périphérique se fait via le port série. Après la configuration initiale, le périphérique peut être géré soit par le port série déjà connecté, soit à distance via une interface définie pendant la configuration initiale.

Si c'est la première initialisation de l'appareil, ou si le fichier configuration est vide parce que l'appareil n'a pas été configuré, l'utilisateur est invité à utiliser l'Assistant Configuration. L'Assistant Configuration vous guide au cours du processus de configuration initiale de l'appareil et lui permet d'être opérationnel le plus rapidement possible.



REMARQUE : avant de configurer l'appareil, procurez-vous les informations suivantes auprès de l'administrateur de réseau :

- Chaîne de communauté SNMP et adresse IP du système de gestion SNMP (facultatif).
- Nom d'utilisateur et mot de passe.
- L'adresse IP à affecter à l'interface VLAN 1 par l'intermédiaire de laquelle le périphérique est géré (par défaut, chaque port externe et interne est membre du VLAN 1)
- Le masque de sous-réseau IP pour le réseau
- L'adresse IP de la passerelle (routeur saut suivant) par défaut permettant de configurer la route par défaut.

L'Assistant Configuration vous guide au cours du processus de configuration initiale du commutateur et lui permet d'être opérationnel le plus rapidement possible. Vous pouvez également vous passer de l'Assistant Configuration et entrer en mode CLI pour configurer l'appareil manuellement. Consultez le *Guide d'utilisation de la série PowerConnect 2800* afin d'obtenir de l'aide pour configurer l'unité à l'aide de la CLI.

L'Assistant Configuration configure les champs suivants.

- Chaîne de communauté SNMP et adresse IP du système de gestion SNMP (facultatif)
- Nom d'utilisateur et mot de passe
- Adresse IP de l'appareil
- Masque de sous-réseau IP
- Adresse IP de passerelle par défaut

L'Assistant Configuration affiche les informations suivantes :

```
Welcome to Dell Easy Setup Wizard (Bienvenue sur l'Assistant
Configuration aisée de Dell)
```

```
The Setup Wizard guides you through the initial switch configuration,
and gets you up and running as quickly as possible. (L'Assistant
Configuration vous guide au cours du processus de configuration
initiale du commutateur et lui permet d'être opérationnel le plus
rapidement possible.) You can skip the setup wizard, and enter CLI
mode to manually configure the switch. (Vous pouvez également vous
passer de l'Assistant Configuration et entrer en mode CLI pour
```

configurer le commutateur manuellement.) The system will prompt you with a default answer; by pressing enter, you accept the default. (Le système vous propose une réponse par défaut ; vous pouvez l'accepter en appuyant sur Entrée.) You must respond to the next question to run the setup wizard within 60 seconds, otherwise the system will continue with normal operation using the default system configuration. (Vous devez répondre à la question suivante pour lancer l'Assistant Configuration dans les 60 secondes, sinon le système continuera à fonctionner normalement à l'aide de la configuration système par défaut.)

Would you like to enter the Setup Wizard (you must answer this question within 60 seconds? (Souhaitez-vous accéder à l'Assistant Configuration [répondez à cette question dans les 60 secondes]) ? (Y/N) [Y]Y ([O/N] [O]O)

 **REMARQUE** : si vous choisissez de ne pas utiliser l'Assistant Configuration, vous pouvez accéder à l'interface réseau à l'aide de l'adresse IP/masque par défaut (192.168.2.1/255.255.255.0).

 **REMARQUE** : vous pouvez quitter l'Assistant Configuration à tout moment en tapant [Ctrl+Z].

Assistant Étape 1

Les informations suivantes s'affichent :

The system is not setup for SNMP management by default. (Le système n'est pas configuré pour la gestion SNMP par défaut.)

To manage the switch using SNMP (required for Dell Network Manager) you can (Pour gérer le commutateur à l'aide de SNMP (requis pour le Gestionnaire de réseau Dell), vous pouvez) :

Setup the initial SNMP version 2 account now. (Configurer le compte SNMP initial version 2 maintenant.)

Return later and setup additional SNMP v1/v3 accounts. (Revenir plus tard et créer d'autres comptes SNMP v1/v3.)

For more information on setting up SNMP accounts, please see the user documentation. (Pour en savoir plus sur la création de comptes SNMP, veuillez vous reporter à la documentation utilisateur.)

Would you like to setup the SNMP management interface now? (Souhaitez-vous configurer l'interface de gestion SNMP maintenant ?) (Y/N) [Y]Y ([O/N] [O]O)

Entrez [N] pour passer à l'étape 2.

Entrez [Y] pour continuer à utiliser l'Assistant Configuration. Les informations suivantes s'affichent :

To setup the SNMP management account you must specify the management system IP address and the "community string" or password that the particular management system uses to access the switch. (Pour configurer le compte de gestion SNMP, vous devez spécifier l'adresse IP du système de gestion et la « chaîne communautaire » ou mot de passe utilisé par ce système de gestion particulier pour accéder au commutateur.) The wizard automatically assigns the highest access level [Privilege Level 15] to this account. (L'Assistant assigne automatiquement le plus haut niveau d'accès [Niveau de privilège 15] à ce compte.)

You can use Dell Network Manager or CLI to change this setting, and to add additional management systems. (Vous pouvez utiliser le Gestionnaire de réseau Dell ou la CLI pour modifier ce paramètre et ajouter un autre système de gestion à l'avenir.) For more information on adding management systems, see the user documentation. (Pour en savoir plus sur l'ajout de systèmes de gestion, reportez-vous à la documentation de l'utilisateur.)

To add a management station (Pour ajouter une station de gestion) :

Please enter the SNMP community string to be used: (Veuillez entrer la chaîne de communauté SNMP à utiliser :) [Dell_Network_Manager]

Veuillez entrer l'adresse IP du système de gestion (A.B.C.D) ou le caractère générique (0.0.0.0) pour effectuer la gestion à partir de n'importe quelle Management Station : [.0.0.0]

Assistant Étape 2

Les informations suivantes s'affichent :

Now we need to setup your initial privilege (Level 15) user account. (Maintenant il faut configurer votre compte utilisateur privilège initial (Niveau 15)).

This account is used to login to the CLI and Web interface. (On utilise ce compte pour se connecter aux interfaces CLI et Web.)

You may setup other accounts and change privilege levels later. (Vous pouvez configurer d'autres comptes et modifier les niveaux de privilège plus tard.)

For more information on setting up user accounts and changing privilege levels, see the user documentation. (Pour en savoir plus sur la configuration des comptes utilisateur et la modification des niveaux de privilège, reportez-vous à la documentation utilisateur.)

To setup a user account: (Pour configurer un compte utilisateur :)

Enter the user name<1-20> (Entrez le nom d'utilisateur <1-20> : [admin]

Please enter the user password: (Veuillez entrer le mot de passe de l'utilisateur :) *****

Please reenter the user password: (Veuillez entrer de nouveau le mot de passe de l'utilisateur :) *****

Assistant Étape 3

Les informations suivantes s'affichent :

Next, an IP address is setup. (Ensuite, une adresse IP est configurée.)

The IP address is defined on the default VLAN, (VLAN #2) (L'adresse IP est définie sur le VLAN par défaut [VLAN 2]). This is the IP address you use to access the Telnet, Web interface, or SNMP interface for the switch (Cette adresse IP est celle que vous devez utiliser pour accéder à Telnet, à l'interface Web ou SNMP du commutateur.) Pour configurer une adresse IP :

Please enter the IP address of the device (A.B.C.D):[10.6.22.100]

(Veuillez entrer l'adresse IP de l'appareil (A.B.C.D):[10.6.22.100])

Please enter the IP subnet mask (A.B.C.D or nn):[255.255.255.224]

(Veuillez entrer le masque de sous-réseau (A.B.C.D ou nn) : [255.255.255.224])

Assistant Étape 4

Les informations suivantes s'affichent :

Finally, setup the default gateway. (Enfin, configurez la passerelle par défaut.)

Please enter the IP address of the gateway from which this network is reachable (e.g. 192.168.1.1).Default gateway (A.B.C.D):[10.6.22.97]
(Veuillez entrer l'adresse IP de la passerelle par laquelle ce réseau est atteignable (par exemple 192.168.1.1).Passerelle par défaut (A.B.C.D) : [0.0.0.0])

Entrez la passerelle par défaut.

Appuyez sur Entrée. Les informations suivantes s'affichent (selon les paramètres utilisés comme exemple) :

This is the configuration information that has been collected: (Voici les informations de configuration qui ont été réunies :)

```
=====
Interface SNMP = Dell_Network_Manager@0.0.0.0
Configuration compte utilisateur = admin
Mot de passe = *****
Adresse IP de gestion = 10.6.22.100 255.255.255.224
la passerelle par défaut est 10.6.22.97
=====
```

Assistant Étape 5

Les informations suivantes s'affichent :

```
If the information is correct, please select (Y) to save the
configuration, and copy to the start-up configuration file. (Si les
informations sont correctes, veuillez sélectionner (Y) (O) pour
enregistrer la configuration et la copier dans le fichier de
configuration de démarrage.) If the information is incorrect,select
(N) to discard configuration and restart the wizard (Si les
informations sont incorrectes, sélectionnez (N) pour annuler la
configuration et redémarrer l'Assistant) : (Y/N) [Y]Y ([O/N] [O]O)

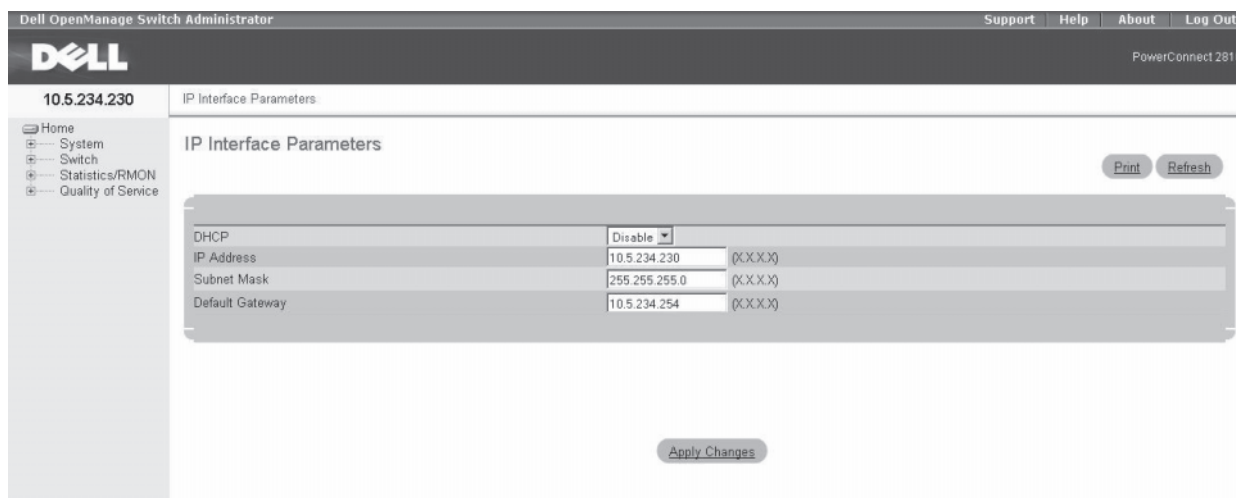
Configuration interface de gestion SNMP.
Configuration compte utilisateur.....
Configuration IP et sous-réseau.....

Thank you for using Dell Easy Setup Wizard. (Merci d'avoir utilisé
l'Assistant Configuration aisée de Dell.)
```

Configuration Web

- 1 Dans l'interface utilisateur Web, ouvrez la fenêtre Adresse IP système.

Figure 3-2. Interface utilisateur de configuration Web



- 2 Saisissez l'adresse IP, le masque de sous-réseau et la passerelle par défaut.
- 3 Cliquez sur **Apply Changes** (Appliquer les modifications). L'unité est configurée.

Nouvelle fonction écologique : Ethernet vert

La fonction Ethernet vert optimise la consommation d'énergie réseau. La technologie d'économie d'énergie Ethernet vert réduit automatiquement la consommation électrique lorsque les modes *Link Down* (Liaison interrompue) et/ou *Short Reach* (Courte distance) sont détectés, minimisant ainsi l'énergie réseau consommée par chaque port et protégeant l'environnement, et ce sans compromettre l'intégrité du réseau.

Les modes *Energy-Detection* (Détection d'énergie) et *Short-Reach* (Courte distance) sont activés par défaut.

Réglementations

Pour des informations supplémentaires sur les réglementations, reportez-vous à la page d'accueil relative à celles-ci sur www.dell.com à l'adresse suivante : www.dell.com/regulatory_compliance.

información NOM (únicamente para México)

La información siguiente se proporciona en el dispositivo o dispositivos descritos en este documento, en cumplimiento con los requisitos de la Norma oficial mexicana (NOM):

Exportador:	Dell Inc. One Dell Way Round Rock, TX 78682
Importador:	Dell México, S.A. de C.V. Paseo de la Reforma 2620 - 11° Piso Col. Lomas Altas 11950 México, D.F.
Enviar a:	Dell México, S.A. de C.V. al Cuidado de Kuehne & Nagel de México S. de R.L. Avenida Soles No. 55 Col. Peñon de los Baños 15520 México, D.F.

Dell PowerConnect™

Modelo	Voltaje de alimentación	Frecuencia	Consumo eléctrico
2808	100-240 VAC	50-60 Hz	0.75 A
2816	100-240 VAC	50-60 Hz	0.75 A
2824	100-240 VAC	50-60 Hz	1 A
2848	100-240 VAC	50-60 Hz	1.8 A


Informação sobre Órgão Regulador


A marca de certificação se aplica a este Equipamento de Rede de Dados
Para maiores consultas sobre ANATEL visite o site: www.anatel.gov.br

Sistemas Dell™ PowerConnect™ 28xx

Guía de introducción

Notas, Avisos y Precauciones

 **NOTA:** una NOTA proporciona información importante que ayuda a utilizar el dispositivo de la mejor manera posible.

 **AVISO:** un AVISO indica la posibilidad de daños en el hardware o pérdida de datos, y ofrece información sobre cómo evitar el problema.

 **PRECAUCIÓN:** una PRECAUCIÓN indica un posible daño material, lesión corporal o muerte.

La información contenida en este documento puede modificarse sin previo aviso.

© 2008 Dell Inc. Todos los derechos reservados.

La reproducción de esta guía sin el permiso escrito de Dell Inc. queda terminantemente prohibida.

Marcas comerciales utilizadas en este texto: *Dell*, *Dell OpenManage*, el logotipo de *DELL*, *Inspiron*, *Dell Precision*, *Dimension*, *OptiPlex*, *PowerConnect*, *PowerApp*, *PowerVault*, *Axim*, *DellNet* y *Latitude* son marcas comerciales de Dell Inc. *Microsoft* y *Windows* son marcas comerciales registradas de Microsoft Corporation.

Otras marcas y otros nombres comerciales pueden utilizarse en este documento para hacer referencia a las entidades que los poseen o a sus productos. Dell Inc. renuncia a cualquier interés sobre la propiedad de marcas y nombres comerciales que no sean los suyos.

Contenido

1	Instalación	
	Visión general	75
	Preparación del emplazamiento	76
	Requisitos de emplazamiento.....	76
	Desembalaje	76
	Contenido del paquete.....	76
	Desembalaje del dispositivo.....	77
2	Montaje del dispositivo	
	Visión general	79
	Precauciones de instalación	79
	Instalación del estante del dispositivo	80
	Instalación en una superficie plana	81
	Instalación en la pared	81
	Conexión de un dispositivo a un suministro de energía.....	83
3	Inicio y configuración del dispositivo	
	Modos de administración de energía	85
	Conexión de un dispositivo a la red	85
	Conexión del terminal al dispositivo	86
	Arranque del dispositivo - Managed Mode (modo administrado)	87
	Configuración inicial - Managed Mode (modo administrado)	88
	Configuración web	93
	La nueva función respetuosa con el medio ambiente: Verde Ethernet	94
	Notificaciones reglamentarias	94
	información NOM (únicamente para México).....	94
	Informação sobre Órgão Regulador	94

Instalación

Visión general

Este documento ofrece información básica para instalar y empezar a ejecutar la siguientes series de PowerConnect 2800 con conmutadores Ethernet Gigabit administrados por web:

- PowerConnect 2808
- PowerConnect 2816
- PowerConnect 2824
- PowerConnect 2848

Las series PowerConnect 2800 se puede utilizar para conectar estaciones de trabajo y otros dispositivos como:

- Servidores
- Concentradores
- Enrutadores

Los dispositivos de PowerConnect están diseñados para la pequeña oficina doméstica (Small Office/Home Office, SOHO por sus siglas en inglés) que requiera un alto rendimiento de conectividad máxima. Estos dispositivos de PowerConnect son ideales para pequeñas y medianas empresas que necesiten una conectividad de red de alto rendimiento y funciones de gestión web avanzadas. Las funciones de gestión PowerConnect están diseñadas para minimizar el esfuerzo de gestión administrativa además de aumentar y mejorar el control del tráfico de la red.

El conmutador se suministra de fábrica en Unmanaged Mode (modo no administrado). Si los usuarios desean usar el conmutador como un conmutador no administrado, pueden simplemente enchufar el conmutador y comenzar a utilizarlo. No es necesario realizar ningún tipo de configuración. Si el mismo usuario desea usar el conmutador como un conmutador administrado, es necesario cambiar el modo de Unmanaged a Managed, como se describe en la Guía de Usuario de la serie Dell™ PowerConnect™ 2800 disponible en el CD de documentación. Como alternativa puede consultar en el sitio web Dell Support en la dirección www.support.dell.com la última versión de la documentación y las actualizaciones del software.

Preparación del emplazamiento

Requisitos de emplazamiento

Los dispositivos de PowerConnect 2808/16/24/48 pueden montarse en un estante para equipos estándar, sobre un tablero de mesa, o en la pared.

Antes de instalar el dispositivo, asegúrese de que la ubicación elegida cumple los siguientes requisitos de emplazamiento:

- **Alimentación:** el dispositivo está instalado en un radio de 1,5 m (5 pies) de una toma de corriente de 220/110 VCA y 50/60 Hz que esté conectada a tierra y a la que se pueda acceder fácilmente. Si el dispositivo tiene dos suministros de energía, el sitio debería tener dos tomas de corriente con distintos alimentadores.
- **General:** asegúrese de que el suministro de energía esté correctamente instalado.
- **Distancia de separación:** hay una distancia de separación adecuada en la parte anterior que permite que el operador pueda acceder fácilmente al sistema. Deje una distancia de separación entre los cables, las conexiones de alimentación y la ventilación.
- **Conexión de cables:** la conexión de cables se dispone de tal manera para poder evitar fuentes de ruido eléctrico como transmisores de radio, amplificadores de difusión, líneas de alimentación y accesorios de iluminación fluorescente.
- **Requisitos ambientales:** el dispositivo ambiental deberá tener una escala de temperatura de funcionamiento de 0 a 45 °C (32 a 113 °F) a una humedad relativa de hasta el 95%, no condensada. Compruebe que no puede entrar ni agua ni humedad en la cubierta del dispositivo.

Desembalaje

Contenido del paquete

Cuando desembale el paquete, asegúrese de que se incluyen los siguientes elementos:

- El dispositivo
- Cable de alimentación de CA
- Almohadillas de goma autoadhesivas (para instalación en estante)
- Kit de montaje en estante para la instalación
- CD de documentación
- *Guía de información del producto*

Desembalaje del dispositivo

Para desembalar el dispositivo PowerConnect:



NOTA: antes de desembalar el dispositivo, examine el paquete y notifique cualquier daño.

- 1 Coloque la caja en una superficie limpia y plana.
- 2 Abra la caja o extraiga la tapa de ésta.
- 3 Con cuidado, extraiga el dispositivo de la caja y colóquelo en una superficie fija y limpia.
- 4 Extraiga todos los materiales de embalaje.
- 5 Compruebe que el producto no ha sufrido ningún daño. Notifique inmediatamente cualquier daño.

Montaje del dispositivo

Visión general

Las siguientes instrucciones de montaje se aplican a los dispositivos PowerConnect 2808/16/24/48. Existen tres opciones de montaje del dispositivo:

- Instalación en un estante
- Instalación en una superficie plana
- Instalación en una pared

Precauciones de instalación

 **PRECAUCIÓN:** antes de realizar cualquiera de los siguientes procedimientos, lea y siga las instrucciones de seguridad que aparecen en la *Guía de información del producto*.

 **PRECAUCIÓN:** siga los siguientes puntos antes de realizar los procedimientos de esta sección:

- Asegúrese de que el estante o el gabinete que cubre el dispositivo esté bien fijado para evitar que sea inestable o se caiga.
- Asegúrese de que los circuitos de la fuente de energía estén bien conectados a tierra.
- Observe y siga las marcas de servicio. No manipule ningún dispositivo excepto como se explica en la documentación del sistema. Si abre o extrae cubiertas que están marcadas con un rayo dentro de un símbolo triangular puede suponer un riesgo de descarga eléctrica. Estos componentes sólo deben ser manipulados por personal cualificado del servicio técnico.
- Asegúrese de que el cable de alimentación, el cable de extensión y/o el enchufe no estén dañados.
- Asegúrese de que el dispositivo no entre en contacto con el agua.
- Asegúrese de que el dispositivo no esté expuesto a radiadores y, o también, a fuentes de calor.
- Asegúrese de que las aberturas de enfriamiento no estén bloqueadas.
- No introduzca objetos extraños en el dispositivo, ya que se puede producir un incendio o una descarga eléctrica.
- Utilice el dispositivo únicamente con otros componentes aprobados.
- Deje enfriar el dispositivo antes de desmontar las cubiertas o tocar los componentes internos.

- Asegúrese de que el dispositivo no sobrecargue los circuitos de alimentación, los cables y la protección contra sobrecorriente. Para determinar si existe la posibilidad de sobrecargar los circuitos de alimentación, sume la intensidad de régimen de todos los dispositivos instalados en el mismo circuito que el dispositivo. Compare este total con el límite de intensidad del circuito.
- No instale el dispositivo en un entorno en el que la temperatura ambiente de funcionamiento pueda superar los 40°C (104°F).
- Asegúrese de no restringir el flujo de aire en la parte delantera, lateral y posterior del dispositivo.

Instalación del estante del dispositivo

⚠ PRECAUCIÓN: lea la información de seguridad en el Guía de información del producto así como la información de seguridad del resto de dispositivos que conectan o admiten el dispositivo.

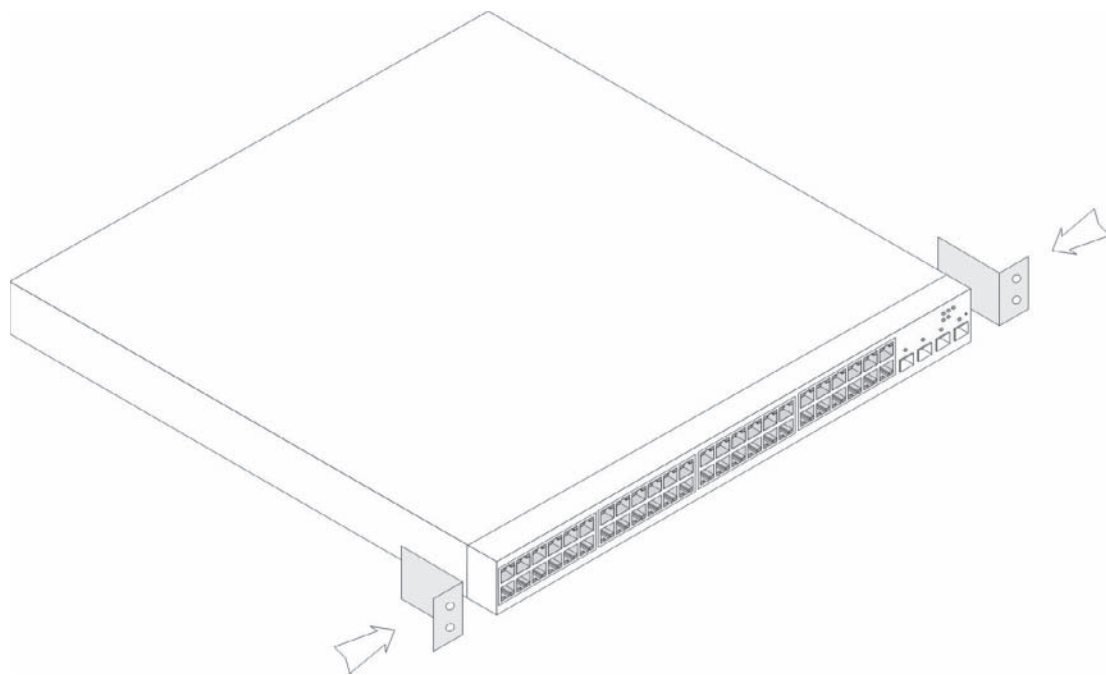
⚠ PRECAUCIÓN: desconecte todos los cables del dispositivo antes de montar el dispositivo en un estante o en un gabinete.

⚠ PRECAUCIÓN: cuando se montan varios dispositivos en un estante, se deben montar de abajo arriba.

Instale el dispositivo en un estante de la manera siguiente:

- 1 Coloque el soporte de montaje en estante que se proporciona en un lateral del dispositivo y asegúrese de que los agujeros de montaje del dispositivo coinciden con los agujeros de montaje del soporte de montaje en estante. En la siguiente ilustración se muestra dónde montar los soportes.

Ilustración 2-1. Instalación de soporte para el montaje en estante



- 2 Inserte los tornillos suministrados en los agujeros de montaje en estante y apriételos con un destornillador.

- 3** Repita el proceso para el soporte de montaje en estante en el otro lado del dispositivo.
- 4** Inserte el dispositivo en el estante y asegúrese de que los agujeros de montaje en estante del dispositivo coinciden con los agujeros de montaje del estante.
- 5** Fije el dispositivo al estante con los tornillos del estante (no se proporcionan). Apriete el par inferior de tornillos antes que el superior. Asegúrese de que los agujeros de ventilación no están obstruidos.

Instalación en una superficie plana

Si el dispositivo no se instala en un estante, debe instalarse en una superficie plana. La superficie debe poder aguantar el peso del dispositivo y de los cables correspondientes.

- 1** Pegue las almohadillas de goma autoadhesivas (que se proporcionan con el dispositivo) en cada ubicación marcada de la parte inferior del chasis.
- 2** Coloque el dispositivo en una superficie lisa, dejando 2 pulgadas (5,08 cm) a cada lado y 5 pulgadas (12,77 cm) en la parte posterior.
- 3** Asegúrese de que el dispositivo está correctamente ventilado.

Instalación en la pared

Para montar el dispositivo en una pared:

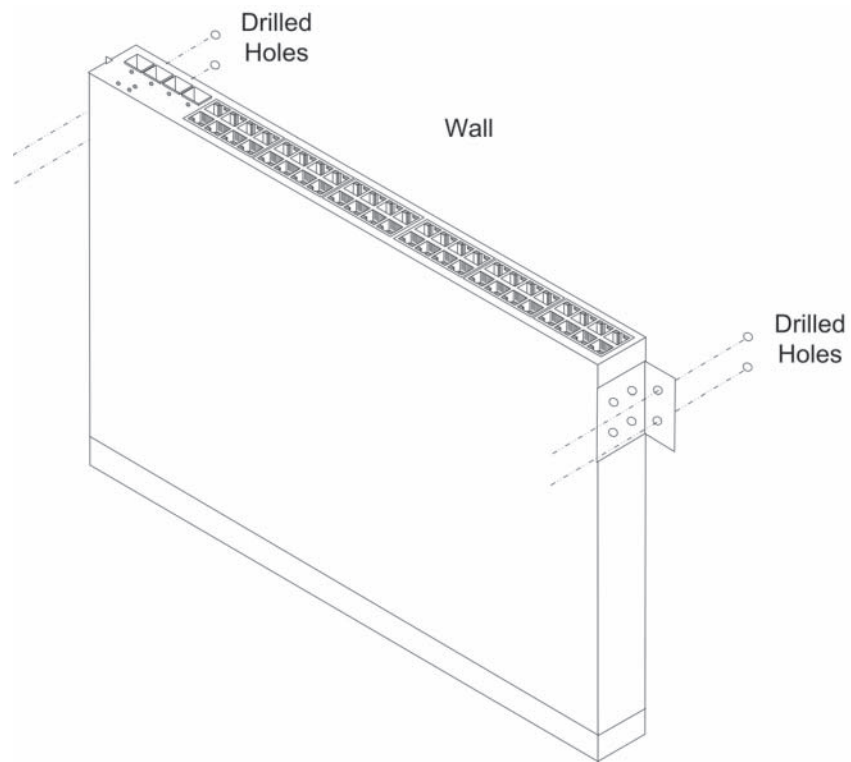
- 1** Asegúrese de que la ubicación de montaje cumple estos requisitos:
 - La pared debe poder soportar el peso del dispositivo.
 - Deje como mínimo 2 pulgadas (5,1 cm) de espacio en los lados para garantizar una ventilación correcta y 5 pulgadas (12,7 cm) en la parte posterior para facilitar la distancia de separación entre los cables de alimentación.
 - No debe estar expuesto a la luz solar directa.
 - Debe estar a como mínimo 2 pies (61 cm) de las rejillas de calefacción y ninguna área de rejillas de calefacción debe apuntar hacia el dispositivo.
 - Debe ser un lugar ventilado para evitar una acumulación de calor.
 - No coloque el dispositivo cerca de cualquier tipo de datos o conexión de cables eléctricos.
 - El cable de alimentación debe poder llegar hasta una toma de alimentación eléctrica.
- 2** Coloque el soporte de montaje en pared suministrado en un lateral del dispositivo y asegúrese de que los agujeros de montaje del dispositivo coinciden con los agujeros de montaje del soporte de montaje en estante. En la siguiente ilustración se muestra dónde montar los soportes.

Ilustración 2-2. Instalación de soporte para montaje en pared



- 3** Inserte los tornillos suministrados en los agujeros de montaje en estante y apriételos con un destornillador.
- 4** Repita el proceso para el soporte de montaje en pared en el otro lado del dispositivo.
- 5** Coloque el dispositivo en la pared en la ubicación de instalación.
- 6** En la pared, marque las ubicaciones en las que se colocarán los tornillos para sostener el dispositivo.
- 7** En las ubicaciones marcadas, taladre los agujeros y coloque todos los tapones (no suministrados) en ellos.
- 8** Fije el dispositivo a la pared con los tornillos (no suministrados). Asegúrese de que los agujeros de ventilación no están obstruidos.

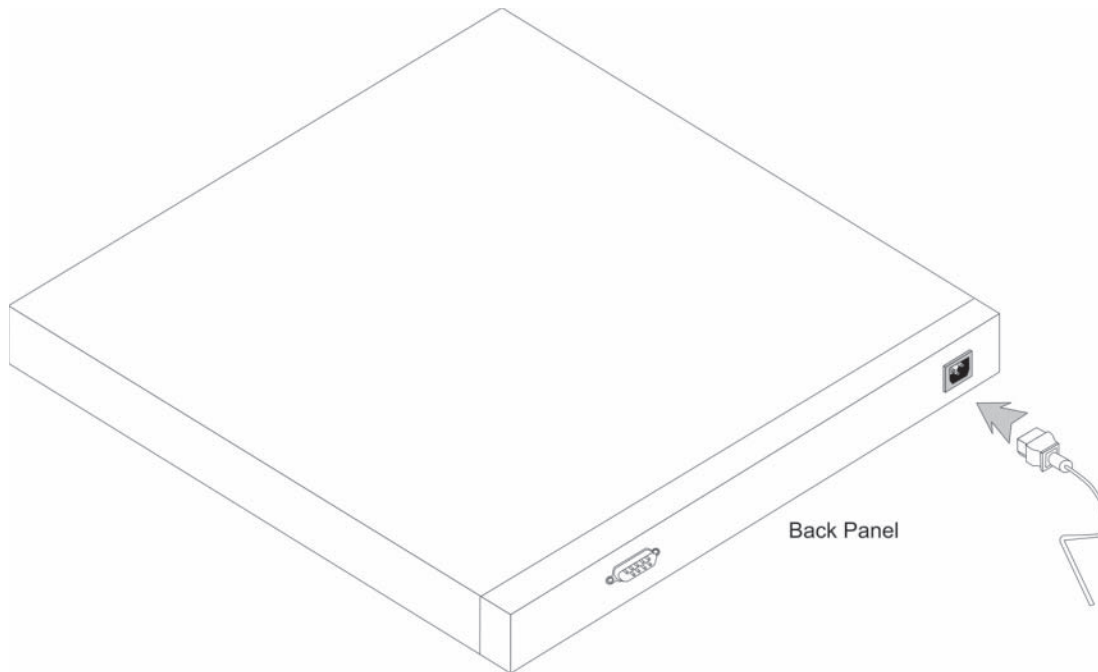
Ilustración 2-3. Montaje del dispositivo en una pared



Conexión de un dispositivo a un suministro de energía

- 1** Conecte el cable de alimentación CA estándar al conector de CA que se encuentra en el panel posterior.
- 2** Esta vez no conecte el cable de alimentación a una toma de tierra de corriente alterna. Conecte el dispositivo a una fuente de energía según los pasos que se explican en el apartado Inicio y configuración del dispositivo.

Ilustración 2-4. Conexión a un suministro de energía



- 3** Después de haber conectado el dispositivo a una fuente de energía, inspeccione los indicadores LED del panel posterior para confirmar que el dispositivo está conectado y funciona correctamente.


Inicio y configuración del dispositivo

Después de completar todas las conexiones externas, realice lo siguiente:

- Si el dispositivo se utilizará como conmutador sin administrar, no es necesaria una conexión de terminales.
- Una conexión de terminales es necesaria si el dispositivo que se utilizará está en Managed Mode (modo administrado).

 **NOTA:** PowerConnect 2808 tiene un puerto serie interno.

En la *Guía del usuario Dell™ PowerConnect™ 2800* que se encuentra en el CD de documentación del usuario se describen más funciones avanzadas.

 **NOTA:** antes de continuar, lea las notas de la versión de este producto. Las notas de la versión se pueden descargar del sitio web <http://support.dell.com>.


 **NOTA:** se recomienda que obtenga la revisión más reciente de la documentación del usuario en el sitio web Dell Support en la dirección <http://support.dell.com>.

Modos de administración de energía

PowerConnect 2808/16/24/48 tiene un botón de presión Mode (modo) en el panel anterior. Dicho botón cambia de los modos Managed (administrado) a Unmanaged (no administrado) o de los modos Secure (seguro) a Managed (administrado). Para una descripción completa de los Modos de administración, consulte la *Guía del usuario Dell™ PowerConnect™ 2800* del CD de documentación.

Conexión de un dispositivo a la red

Para conectarse a un puerto de enlace ascendente, utilice cables de par trenzado sin blindaje (UTP) de la categoría 5 con conectores RJ-45 en ambos extremos. Los puertos RJ-45 del dispositivo Ethernet admiten el funcionamiento automático de la Interfaz dependiente de los soportes/Interfaz dependiente de los soportes con cable cruzado (MDI/MDIX) en modo de negociación automática. Los cables de par trenzado de conexión directa estándares se pueden utilizar para conectarse a cualquier otra red de Ethernet (sistemas, servidores, conmutadores o enrutadores) que admitan la negociación automática.

 **NOTA:** no conecte un conector de telefónico en un puerto RJ-45. Esto dañaría el dispositivo Ethernet. Utilice únicamente cables de par trenzado con conectores RJ-45 en conformidad con los estándares FCC.

 **NOTA:** si se apaga la negociación automática en los puertos, debe utilizarse un cable intermedio.

Para conectar el dispositivo a la red:

- 1 Conecte uno de los extremos de un cable de par trenzado al conector RJ-45 del dispositivo y el otro extremo a un conmutador o servidor.
- 2 Asegúrese de que cada par trenzado no pasa de los 328 pies (100 metros) de longitud.

A medida que se realizan las conexiones, el LED de enlace correspondiente a cada puerto del dispositivo se ilumina (en verde o en ámbar) que indica que la conexión es válida.

Conexión del terminal al dispositivo

El dispositivo dispone de un puerto de consola externo en los modelos 28016/24/48. El puerto de consola permite conectar a un dispositivo de sobremesa terminal que ejecute software de emulación para poder supervisar y configurarlo.

El conector del puerto de la consola es un conector DB-9 macho, instalado como un conector DTE (Data Terminal Equipment [Equipo terminal de datos]).

Para utilizar el puerto de la consola, se necesita lo siguiente:

- Un terminal compatible con VT100 o bien un sistema de sobremesa o portátil con un puerto serie y que ejecute el software de emulación de terminal VT100.
- Un cable cruzado RS-232 con un conector DB-9 hembra para el puerto de la consola y el conector adecuado para el terminal.

Para conectar un terminal al puerto de la consola del dispositivo, realice los siguientes pasos:

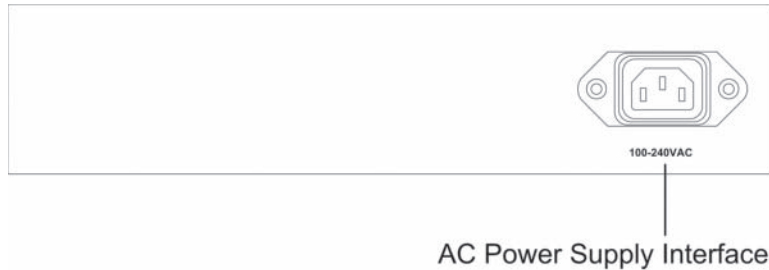
- 1 Conecte el cable cruzado RS-232 suministrado al terminal que ejecuta el software de emulación de terminal VT100.
- 2 Asegúrese de que el software de emulación de terminal se configura de la manera siguiente:
 - a Seleccione el puerto serie adecuado (puerto serie 1 o puerto serie 2) para conectarlo a la consola.
 - b Configure la frecuencia de datos en 9600 baudios.
 - c Configure el formato de los datos en 8 bits de datos, 1 bit de parada y sin paridad.
 - d Establezca el control de flujo a none (ninguno).
 - e En Properties (Propiedades), seleccione el modo VT100 for Emulation (VT100 para emulación).
 - f Seleccione Terminal keys (Teclas de terminal) para las teclas de función, flecha y control. Asegúrese de que el valor se configure en Terminal keys (Teclas de terminal) (no Windows keys [Teclas de Windows]).



AVISO: cuando utilice HyperTerminal con Microsoft® Windows 2000, Windows XP o Windows Vista, asegúrese de que tiene instalados los últimos Service Pack. Con Windows 2000 Service Pack 2, las teclas de flecha funcionan correctamente en la emulación VT100 de HyperTerminal. Vaya a www.microsoft.com para obtener información sobre los Service Packs de Windows 2000, Windows XP, and Windows Vista.

- 3 Conecte el conector hembra del cable cruzado RS-232 directamente al puerto de la consola del dispositivo en el dispositivo y apriete los tornillos cautivos de retención. El puerto de consola de PowerConnect 2800 se encuentra en el panel posterior.

Ilustración 3-1. Conexión al puerto de consola de PowerConnect 2800 Series



Arranque del dispositivo - Managed Mode (modo administrado)

El procedimiento descrito en esta sección hace referencia a cuando se establece el dispositivo para que funcione como un conmutador administrado. Los modelos de PowerConnect 2808/16/24/48 incluyen un botón Mode (modo) de dos propósitos integrado. Para cambiar del modo administrado al modo no administrado, pulse el botón de Modo durante menos de siete segundos.

Una vez el dispositivo se configura para que funcione como conmutador administrado, se puede supervisar el procedimiento de arranque en la terminal conectada de la siguiente manera:


- 1 Asegúrese de que el puerto de la consola del dispositivo esté conectado a un dispositivo de terminal VT100 o a un emulador de terminal VT100 mediante el cable cruzado RS-232.
- 2 Localice un enchufe de CA.
- 3 Desactive el enchufe de CA.
- 4 Conecte el dispositivo al enchufe de CA.
- 5 Active el enchufe de CA.


Si se enciende la alimentación con el terminal local ya conectado, el dispositivo pasa por una autoprueba de encendido (POST). La POST se ejecuta cada vez que el dispositivo se inicia y comprueba los componentes de hardware para determinar si el dispositivo está completamente operativo antes de iniciarse por completo. Si se detecta un problema grave, el flujo del programa se detiene. Si la POST se realiza correctamente, se cargará una imagen ejecutable válida en la RAM. Los mensajes de la POST se muestran en el terminal e indican si la prueba ha finalizado con éxito o no.

El proceso de inicio se ejecuta durante menos de 45 segundos cuando está en modo no administrado y durante 90 segundos en otros modos.

Configuración inicial - Managed Mode (modo administrado)

La información y los procedimientos descritos en esta sección se aplican al dispositivo cuando se configura como conmutador de Managed mode (modo administrado).

 **NOTA:** el conmutador se suministra de fábrica en Unmanaged Mode (modo no administrado). Consulte el capítulo 4, Inicio y configuración del dispositivo, de la Guía del usuario de los sistemas Dell™ PowerConnect™ 28xx, para obtener una descripción completa de la configuración del dispositivo.

 **NOTA:** la configuración inicial utiliza las siguientes suposiciones:

- El dispositivo PowerConnect no se ha configurado antes y se encuentra en el mismo estado que cuando lo recibió.
- El dispositivo PowerConnect se ha iniciado correctamente.
- Se ha establecido la conexión de la consola y la petición de consola se muestra en la pantalla de un dispositivo de terminal VT100. (Pulse <Intro> varias veces para asegurarse de que la petición se visualiza correctamente).

La configuración inicial del dispositivo se realiza mediante el puerto de la consola. Después de la configuración inicial, el dispositivo se puede gestionar desde el puerto serie ya conectado o de manera remota mediante una interfaz definida durante la configuración inicial.

El sistema le pide que utilice el asistente de configuración cuando se inicia el dispositivo por primera vez o si el archivo de configuración está vacío porque no se ha configurado el dispositivo. El Asistente para la instalación proporciona los pasos de la configuración inicial del dispositivo y permite empezar a trabajar lo más fácil y rápidamente posible.

 **NOTA:** antes de configurar el dispositivo, obtenga la siguiente información del administrador de red:

- Cadena de comunidad SNMP y dirección IP del sistema de gestión SNMP (opcional).
- Nombre de usuario y contraseña.
- La dirección IP que se debe asignar a la interfaz VLAN 1, mediante la cual se gestionará el dispositivo (de manera predeterminada, cada puerto externo e interno es un miembro de la VLAN 1).
- La máscara de subred IP de la red.
- La dirección IP de la puerta de enlace predeterminada (enrutador de siguiente salto) para configurar la ruta predeterminada.

El Asistente para la instalación proporciona los pasos de la configuración inicial del dispositivo y permite empezar a trabajar lo más fácil y rápidamente posible. También puede omitir la utilización del Asistente para la instalación y configurar manualmente el dispositivo a través del modo CLI del dispositivo. Consulte la *Guía del usuario de PowerConnect 2800 Series* para obtener ayuda para configurar el dispositivo mediante CLI.

El Asistente para la instalación configura los campos siguientes.

- Cadena de comunidad SNMP y dirección IP del sistema de gestión SNMP (opcional)
- Nombre de usuario y contraseña
- Dirección IP del dispositivo
- Máscara de subred de IP
- Dirección IP de la puerta de enlace predeterminada

El asistente para la instalación muestra la información siguiente:

```
Welcome to Dell Easy Setup Wizard.
```

```
The Setup Wizard guides you through the initial switch configuration,
and gets you up and running as quickly as possible. You can skip the
setup wizard, and enter CLI mode to manually configure the switch.
The system will prompt you with a default answer; by pressing enter,
you accept the default. You must respond to the next question to run
the setup wizard within 60 seconds, otherwise the system will
continue with normal operation using the default system
configuration.
```

```
Would you like to enter the Setup Wizard. (you must answer this
question within 60 seconds) ? (Y/N) [Y] Y
```

(Bienvenido al Asistente para la instalación fácil de Dell. El Asistente para la instalación le guiará por la configuración inicial del conmutador y le permitirá comenzar a trabajar lo más rápido posible. Puede omitir el asistente e ingresar en el modo CLI para configurar manualmente el conmutador. El sistema le solicitará una respuesta predeterminada; si pulsa Intro, aceptará el valor predeterminado. Deberá responder a la pregunta siguiente para ejecutar el Asistente para la instalación en un plazo de 60 segundos, de lo contrario, el sistema continuará con el funcionamiento normal utilizando la configuración predeterminada del sistema.

```
¿Desea iniciar el Asistente para la instalación? (debe responder a este pregunta dentro de un plazo de
60 segundos) ? (S/N) [S] S
```



NOTA: si selecciona no utilizar el Asistente para la instalación, puede acceder a la interfaz web utilizando la dirección/máscara de IP predeterminada (192.168.2.1/255.255.255.0).



NOTA: puede salir del Asistente para la instalación en cualquier momento pulsando [ctrl+Z].

Paso 1 del asistente

Se muestra la siguiente información:

```
The system is not setup for SNMP management by default.
```

```
To manage the switch using SNMP (required for Dell Network Manager)
you can:
```

```
*Setup the initial SNMP version 2 account now
```

```
*Return later and setup additional SNMP v1/v3 accounts
```

```
For more information on setting up SNMP accounts, please see the user
documentation.
```

```
Would you like to setup the SNMP management interface now? (Y/N) [Y] Y
```

(Para gestionar el conmutador con SNMP (obligatorio para Dell Network Manager) puede:

- * Configurar la cuenta de versión 2 inicial SNMP ahora
- * Volver después y configurar cuentas adicionales SNMP v/v3

Para más información acerca del establecimiento de cuentas SNMP vea la documentación del usuario.

¿Desea configurar la interfaz de administración SNMP ahora? (S/N) [S] S)

Escriba [N] para saltar al paso 2.

Escriba [Y] para continuar con el Asistente para la instalación. Se muestra la siguiente información:

```
To setup the SNMP management account you must specify the management
system IP address and the "community string" or password that the
particular management system uses to access the switch. The wizard
automatically assigns the highest access level [Privilege Level 15]
to this account.
```

```
You can use Dell Network Manager or CLI to change this setting, and
to add additional management systems. For more information on adding
management systems, see the user documentation.
```

```
To add a management station:
```

```
Please enter the SNMP community string to be used
[Dell_Network_Manager]
```

(Para configurar una cuenta de administración SNMP debe especificar la dirección de IP del sistema de administración y la “cadena de comunidad” o contraseña que el sistema de administración particular utiliza para acceder al conmutador. El asistente asigna automáticamente el nivel de acceso más alto [Nivel Privilegiado 15] a esta cuenta.

Puede utilizar Dell Network Manager o CLI para cambiar la configuración y para añadir sistemas de administración adicional. Para adquirir más información acerca de cómo añadir sistemas de administración vea la documentación del usuario.

Para añadir una estación de administración:

introduzca la cadena de SNMP de comunidad a usar:

```
[Dell_Network_Manager])
```

Introduzca la dirección IP del Sistema de gestión (A.B.C.D) o comodín (0.0.0.0) para administrar desde cualquier Estación de gestión:[0.0.0.0]

Paso 2 del asistente

Se muestra la siguiente información:

```
Now we need to setup your initial privilege (Level 15) user account.  
This account is used to login to the CLI, Telnet and Web interface.  
You may setup other accounts and change privilege levels later  
For more information on setting up user accounts and changing  
privilege levels, see the user documentation.
```

To setup a user account:

```
Enter the user name<1-20>:[admin]
```

```
Please enter the user password:*****
```

```
Please reenter the user password: *****
```

(Ahora se tiene que configurar su cuenta de usuario de privilegio inicial [15].

Esta cuenta se utiliza para iniciar la sesión en el CLI, Telnet y la interfaz de web.

Puede configurar otras cuentas y cambiar los niveles de privilegio más adelante.

Si desea obtener más información sobre la configuración de las cuentas de usuario y la modificación de los niveles de privilegio, consulte la documentación del usuario.

Para configurar una cuenta de usuario:

```
Introduzca el nombre del usuario <1-20>: [admin]
```

```
Introduzca la contraseña del usuario:*****
```

```
Vuelva a introducir la contraseña del usuario:*****)
```

Paso 3 del asistente

Se muestra la siguiente información:

```
Next, an IP address is setup.
```

```
The IP address is defined on the default VLAN, (VLAN #2). This is the  
IP address you use to access the Telnet, Web interface, or SNMP  
interface for the switch. To setup an IP address:
```

```
Please enter the IP address of the device (A.B.C.D): 10.6.22.100
```

```
Please enter the IP subnet mask (A.B.C.D or nn): [255.255.255.224]
```

(A continuación, se configura una dirección de IP.

La dirección IP se define en la VLAN, (VLAN #2) predeterminada. Ésta es la dirección IP que se utiliza para acceder a Telnet, la interfaz web o la interfaz SNMP del conmutador. Para configurar una dirección IP:

Introduzca la dirección de IP del dispositivo (A.B.C.D): 10.6.22.100

Introduzca la máscara de subred IP (A.B.C.D or nn):[255.255.255.224]

Paso 4 del asistente

Se muestra la siguiente información:

```
Finally, setup the default gateway.
```

```
Please enter the IP address of the gateway from which this network is
reachable (e.g. 192.168.1.1).Default gateway (A.B.C.D):[10.6.22.97]
```

(Finalmente, configure la puerta de enlace predeterminada.

Introduzca la dirección IP de la puerta de enlace de la cual se alcanza esta red (por ejemplo, 192.168.1.1). Puerta de enlace (A.B.C.D):[10.6.22.97])

Especifique la puerta de enlace predeterminada.

Pulse Intro. Aparece la siguiente información (según los parámetros descritos en el ejemplo):

```
This is the configuration information that has been collected:
=====
```

```
Interface SNMP = Dell_Network_Manager@0.0.0.0
```

```
User Account setup = admin
```

```
Password = *****
```

```
Management IP address = 10.6.22.100 255.255.255.224
```

```
Default Gateway is 10.6.22.97
```

```
=====
```

(Esta es la información de configuración que ha sido recopilada:

```
=====
```

```
Interfaz SNMP = Dell_Network_Manager@0.0.0.0
```

```
Configuración de la cuenta de usuario = admin
```

```
Contraseña = *****
```

```
Dirección IP de gestión = 192.168.1.100 255.255.255.0
```

```
La puerta de enlace predeterminada es 10.6.22.97
```

```
=====)
```

Paso 5 del asistente

Se muestra la siguiente información:

```
If the information is correct, please select (Y) to save the
configuration, and copy to the start-up configuration file. If the
information is incorrect, select (N) to discard configuration and
restart the wizard: (Y/N) [Y] Y
```

```
Configuring SNMP management interface.
```

```
Configuring user account.....
```

```
Configuring IP and subnet.....
```

```
Thank you for using Dell Easy Setup Wizard.
```

(Si la información no es correcta, seleccione (N) para rechazar la configuración y reiniciar el asistente:)

```
Configurando la interfaz de gestión SNMP.
```

```
Configurando la cuenta de usuario.....
```

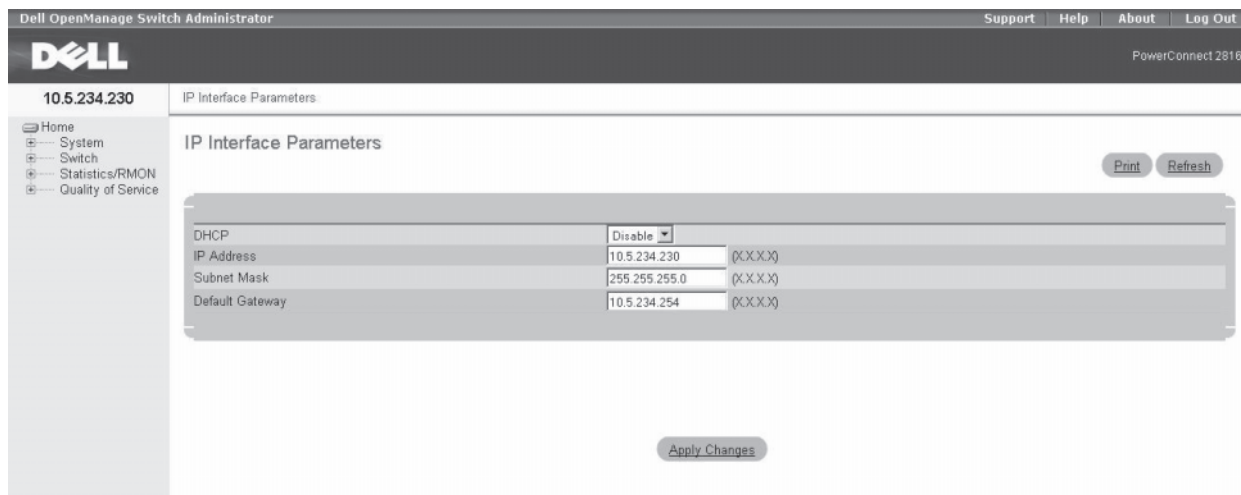
```
Configurando IP y la subred.....
```

```
Gracias por utilizar el Asistente para la instalación fácil de Dell.)
```

Configuración web

- 1 En la interfaz de usuario web, abra la ventana **System IP Address** (Dirección IP del sistema).

Ilustración 3-2. Interfaz de usuario de configuración web



- 2 Introduzca la dirección IP, la máscara de subred y la puerta de enlace predeterminada.
- 3 Haga clic en **Apply Changes** (Aplicar cambios). Se ha configurado el dispositivo.

La nueva función respetuosa con el medio ambiente: Verde Ethernet

La función Green Ethernet (Ethernet verde) mejora el consumo de energía de la red. La tecnología de ahorro de energía Green Ethernet (Ethernet verde) reduce automáticamente el consumo de energía si detecta un *Link Down* (enlace inactivo) o un *Short Reach* (corto alcance), y así se asegura de que las redes consuman menos energía por puerto y sean más respetuosas con el medio ambiente, sin perder la integridad de la red.

Los modos *Energy-Detection* (detección de energía) y *Short-Reach* (corto alcance) están habilitados por defecto.

Notificaciones reglamentarias

Para obtener información reglamentaria adicional, visite la página de inicio sobre conformidad reglamentaria en www.dell.com en la dirección siguiente: www.dell.com/regulatory_compliance.

información NOM (únicamente para México)

La información siguiente se proporciona en el dispositivo o dispositivos descritos en este documento, en cumplimiento con los requisitos de la Norma oficial mexicana (NOM):

Exportador:	Dell Inc. One Dell Way Round Rock, TX 78682
Importador:	Dell México, S.A. de C.V. Paseo de la Reforma 2620 - 11° Piso Col. Lomas Altas 11950 México, D.F.
Enviar a:	Dell México, S.A. de C.V. al Cuidado de Kuehne & Nagel de México S. de R.L. Avenida Soles No. 55 Col. Peñon de los Baños 15520 México, D.F.

Dell PowerConnect™

Modelo	Voltaje de alimentación	Frecuencia	Consumo eléctrico
2808	100-240 VCA	50-60 Hz	0,75 A
2816	100-240 VCA	50-60 Hz	0,75 A
2824	100-240 VCA	50-60 Hz	1 A
2848	100-240 VCA	50-60 Hz	1,8 A

Informação sobre Órgão Regulador

A marca de certificação se aplica a este Equipamento de Rede de Dados
Para maiores consultas sobre ANATEL visite o site: www.anatel.gov.br

הודעות תקינה

לקבלת מידע תקינה נוסף, עיין בדף הבית של תאימות התקינה באתר www.dell.com בכתובת הבאה:
www.dell.com/regulatory_compliance

información NOM (únicamente para México)

La información siguiente se proporciona en el dispositivo o dispositivos descritos en este documento, en cumplimiento con los requisitos de la Norma oficial mexicana (NOM):

Exportador:	Dell Inc. One Dell Way Round Rock, TX 78682
Importador:	Dell México, S.A. de C.V. Paseo de la Reforma 2620 - 11° Piso Col. Lomas Altas 11950 México, D.F.
Enviar a:	Dell México, S.A. de C.V. al Cuidado de Kuehne & Nagel de México S. de R.L. Avenida Soles No. 55 Col. Peñon de los Baos 15520 México, D.F.

Dell PowerConnect™

Modelo	Voltaje de alimentación	Frecuencia	Consumo eléctrico
2808	100-240 VAC	50-60 Hz	0.75 A
2816	100-240 VAC	50-60 Hz	0.75 A
2824	100-240 VAC	50-60 Hz	1 A
2848	100-240 VAC	50-60 Hz	1.8 A

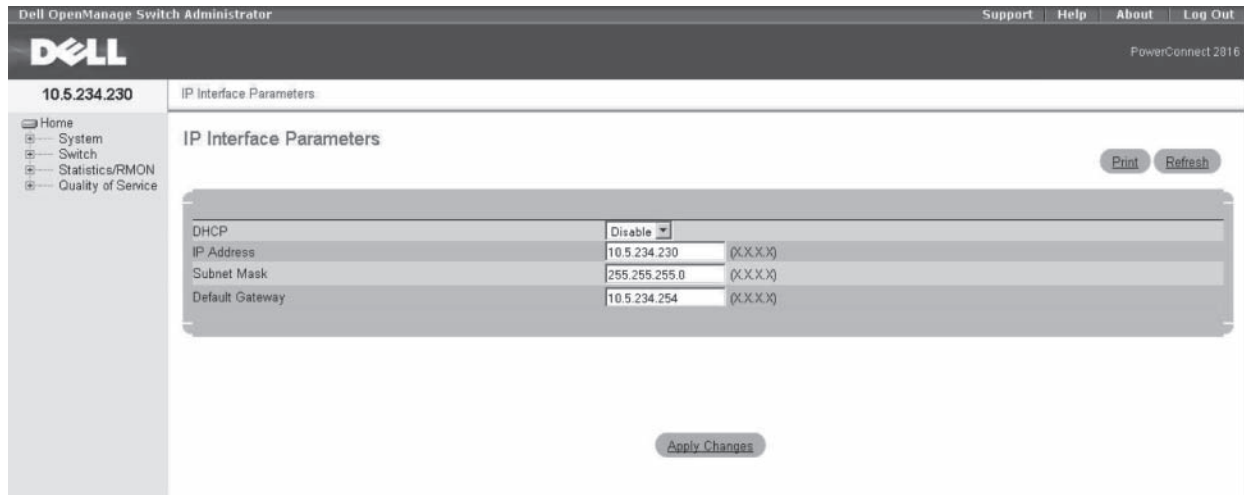
Informação sobre Órgão Regulador

A marca de certificação se aplica a este **Equipamento de Rede de Dados**
Para maiores consultas sobre ANATEL visite o site: www.anatel.gov.br

תצורת אינטרנט

1 בממשק המשתמש באינטרנט, פתח את החלון **System IP Address** (כתובת IP של המערכת).

איור 2-3. ממשק משתמש לקביעת תצורה דרך האינטרנט



2 הזן את כתובת ה-IP, מסיכת רשת המשנה ושער ברירת המחדל.

3 לחץ על **Apply Changes** (החל שינויים). תצורת ההתקן מוגדרת.

התכונה החדשה הידידותית לסביבה: Green Ethernet

התכונה Green Ethernet משפרת את צריכת החשמל של הרשת. טכנולוגיית החיסכון בחשמל Green Ethernet מפחיתה אוטומטית את צריכת החשמל ברגע שמזוהה *Link Down* ו/או *Short Reach*, דבר המבטיח שהרשת תשתמש בפחות חשמל בכל יציאה ותהיה ידידותית יותר לסביבה, מבלי לאבד את שלמות הרשת.

המצבים *Energy-Detection* ו-*Short-Reach* מאפשרים כברירת מחדל.

(זהו מידע קביעת התצורה שנאסף):

```
=====
SNMP = Dell_Network_Manager@0.0.0.0 ממשק
admin = הגדרת חשבון משתמש
***** = סיסמה
255.255.255.224 10.6.22.100 = כתובת IP ניהול
10.6.22.97 שער ברירת המחדל הוא
(=====
```

שלב 5 של האשף

המידע הבא מוצג:

If the information is correct, please select (Y) to save the configuration, and copy to the start-up configuration file. If the information is incorrect, select (N) to discard configuration and restart the wizard: (Y/N) [Y] Y

Configuring SNMP management interface.

Configuring user account.....

Configuring IP and subnet.....

Thank you for using Dell Easy Setup Wizard.

(אם המידע נכון, בחר (כ) כדי לשמור את התצורה ולהעתיקה אל קובץ התצורה של האתחול. אם המידע שגוי, בחר (ל) כדי לבטל את התצורה ולהתחיל מחדש את האשף: (כ/ל) [כ] כ

מגדיר את התצורה של ממשק ניהול SNMP.

מגדיר את התצורה של חשבון משתמש.....

מגדיר תצורה של IP ורשת משנה.....

(תודה שהשתמשת באשף ההגדרה Dell Easy Setup.)

(בשלב הבא, מוגדרת כתובת IP.

כתובת ה-IP מוגדרת ב-VLAN #2, ברירת המחולל. זוהי כתובת ה-IP המשמשת לגישה ל-Telnet, לממשק אינטרנט, או לממשק SNMP עבור המתג. כדי להגדיר כתובת IP:

הזן את כתובת ה-IP של ההתקן (A.B.C.D): 10.6.22.100

הזן את מסיכת רשת המשנה של ה-IP (A.B.C.D או nn): [255.255.255.224]

שלב 4 של האשף

המידע הבא מוצג:

Finally, setup the default gateway.

Please enter the IP address of the gateway from which this network is reachable (e.g. 192.168.1.1). Default gateway (A.B.C.D) : [10.6.22.97]

לבסוף, הגדר את שער ברירת המחולל.

הזן את כתובת ה-IP של השער שממנו ניתן להגיע לרשת זו (לדוגמה 192.168.1.1). שער ברירת מחולל ([10.6.22.97]:(A.B.C.D)

הזן את שער ברירת המחולל.

הקש Enter. המידע הבא מוצג (לפי הפרמטרים לדוגמה שתוארו):

This is the configuration information that has been collected:
=====
SNMP Interface = Dell_Network_Manager@0.0.0.0
User Account setup = admin
Password = *****
Management IP address 255.255.255.224 10.6.22.100 =
Default Gateway is 10.6.22.97
=====

שלב 2 של האשף

המידע הבא מוצג:

Now we need to setup your initial privilege (Level 15) user account.

This account is used to login to the CLI, Telnet and Web interface.

You may setup other accounts and change privilege levels later.

For more information on setting up user accounts and changing privilege levels, see the user documentation.

To setup a user account:

```
[admin]:Enter the user name<1-20>
```

```
Please enter the user password:*****
```

```
Please reenter the user password:*****
```

(כעת עלינו להגדיר את חשבון המשתמש של ההרשאה ההתחלתיות (רמה 15).

חשבון זה משמש לכניסה ל- CLI, Telnet ולמשק האינטרנט.

באפשרותך להגדיר חשבונות אחרים ולשנות רמות הרשאה במועד מאוחר יותר.

לקבלת מידע נוסף על הגדרת חשבונות משתמשים ושינוי רמות הרשאה, עיין בתיעוד למשתמש.

כדי להגדיר חשבון משתמש:

```
[admin]:<1-20> המשתמש
```

```
*****: המשתמש
```

```
(*****: המשתמש)
```

שלב 3 של האשף

המידע הבא מוצג:

Next, an IP address is setup.

The IP address is defined on the default VLAN, (VLAN #2). This is the IP address you use to access the Telnet, Web interface, or SNMP interface for the switch. To setup an IP address:

```
10.6.22.100:Please enter the IP address of the device (A.B.C.D)
```

```
[255.255.255.224]:Please enter the IP subnet mask (A.B.C.D or nn)
```

(המערכת אינה מוגדרת לניהול SNMP כברירת מחדל.

כדי לנהל את המתג באמצעות SNMP (נדרש עבור מנהל הרשת של Dell), באפשרותך:

*להגדיר כעת את חשבון ה-SNMP הראשוני מגרסה 2

*לחזור בשלב מאוחר יותר ולהגדיר חשבונות SNMP נוספים מגרסה 1/2.

לקבלת מידע נוסף על הגדרת חשבונות SNMP, עיין בתיעוד למשתמש.

האם ברצונך להגדיר כעת את ממשק הניהול של SNMP? (כ/ל) [כ] (כ)

הזן [ל] כדי לדלג לשלב 2.

הזן [כ] כדי להמשיך באשף ההגדרה. המידע הבא מוצג:

To setup the SNMP management account you must specify the management system IP address and the "community string" or password that the particular management system uses to access the switch. The wizard automatically assigns the highest access level [Privilege Level 15] to this account.

You can use Dell Network Manager or CLI to change this setting, and to add additional management systems. For more information on adding management systems, see the user documentation.

To add a management station:

Please enter the SNMP community string to be used:

[Dell_Network_Manager]

(כדי להגדיר את חשבון ניהול ה-SNMP, עליך לציין את כתובת ה-IP של מערכת הניהול ואת "מחרוזת הקהילה" או את הסיסמה המשמשת את מערכת הניהול המסוימת לגישה למתג. האשף מקצה אוטומטית את רמת הגישה הגבוהה ביותר [רמת הרשאה 15] לחשבון זה.

באפשרותך להשתמש במנהל הרשת של Dell או בממשק שורת הפקודה (CLI) כדי לשנות הגדרה זו וכדי להוסיף מערכות ניהול נוספות. לקבלת מידע נוסף אודות הוספת מערכות ניהול, עיין בתיעוד למשתמש.

כדי להוסיף תחנת ניהול:

הזן את מחרוזת קהילת ה-SNMP לשימוש:
([Dell_Network_Manager])

הזן את כתובת ה-IP של מערכת הניהול (A.B.C.D) או תווים כלליים (0.0.0.0) כדי לנהל מכל תחנת ניהול: [0.0.0.0]

אשף ההגדרה מציג את המידע הבא:

Welcome to Dell Easy Setup Wizard.


The Setup Wizard guides you through the initial switch configuration, and gets you up and running as quickly as possible. You can skip the setup wizard, and enter CLI mode to manually configure the switch. The system will prompt you with a default answer; by pressing enter, you accept the default. You must respond to the next question to run the setup wizard within 60 seconds, otherwise the system will continue with normal operation using the default system configuration.

Would you like to enter the setup wizard (you must answer this question within 60 seconds)? (Y/N) [Y] Y

(ברוך הבא לאשף ההגדרה Dell Easy Setup)

אשף ההגדרה ינחה אותך בקביעת התצורה הראשונית של המתג, ויביא אותך למצב הפעלה במהירות האפשרית. באפשרותך לדלג על אשף ההגדרה ולהיכנס למצב CLI כדי להגדיר ידנית את תצורת המתג. המערכת תציג בפניך תשובת ברירת מחדל. בהקשה על Enter באפשרותך לקבל את ברירת המחדל. עליך לענות תוך 60 שניות על השאלה הבאה להפעלת אשף ההגדרה, אחרת המערכת תמשיך בפעולה רגילה ותשתמש בתצורת ברירת המחדל של המערכת.

האם ברצונך להיכנס לאשף ההגדרה (עליך לענות על שאלה זו תוך 60 שניות)? (כ/ל) [כ] (כ)

 **הערה:** אם תבחר לא להשתמש באשף ההגדרה, באפשרותך לגשת לממשק האינטרנט דרך כתובת ה-IP/מס'מכתב כבירת המחדל (192.168.2.1/255.255.255.0).

 **הערה:** באפשרותך לצאת מאשף ההגדרה בכל עת על-ידי הקשה על [Ctrl+Z].

שלב 1 של האשף

המידע הבא מוצג:

The system is not setup for SNMP management by default.

To manage the switch using SNMP (required for Dell Network Manager) you can:

*Setup the initial SNMP Version 2 account now

*Return later and setup additional SNMP v1/v2 accounts

For more information on setting up SNMP accounts, please see the user documentation.

Would you like to setup the SNMP management interface now?
Y [N] (N/Y)

הערה: בקביעת התצורה הפשוטה הראשונית, נלקחות בחשבון ההנחות הבאות:

- תצורת התקן ה-PowerConnect מעולם לא הוגדרה לפני כן וההתקן נמצא במצב שבו קיבלת אותו.
- התקן ה-PowerConnect אותחל בהצלחה.
- חיבור המסוף נוצר ושורת הפקודה של המסוף מוצגת על המסך של התקן מסוף VT100. (הקש <Enter> מספר פעמים כדי לוודא ששורת הפקודה פועלת כהלכה).

קביעת התצורה הראשונית של ההתקן נעשית דרך היציאה הטורית. לאחר קביעת התצורה הראשונית, ניתן לנהל את ההתקן מהיציאה הטורית שמחוברת כבר, או מרחוק דרך ממשק המוגדר במהלך קביעת התצורה הראשונית.

באתחול הראשון של ההתקן או אם קובץ התצורה ריק משום שתצורת ההתקן אינה מוגדרת, המערכת מבקשת להשתמש באשף ההגדרה. אשף ההגדרה מספק הנחיות לאורך קביעת התצורה הראשונית של ההתקן, ומביא את ההתקן למצב הפעלה במהירות האפשרית.

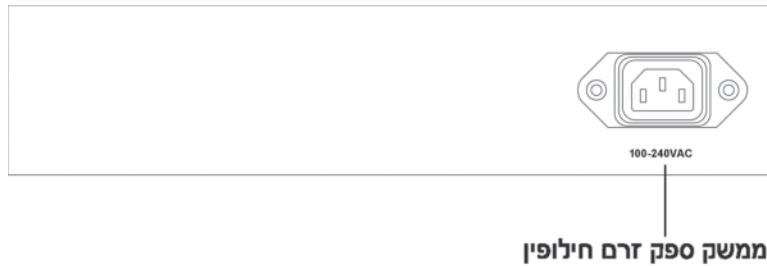
הערה: קבל את המידע הבא ממנהל הרשת, לפני קביעת התצורה של ההתקן:

- מחרוזת קהילת SNMP וכתובת IP של מערכת ניהול SNMP (אופציונלי).
- שם משתמש וסיסמה.
- כתובת ה-IP שיש להקצות לממשק ה-VLAN 1 שדרכו מנוהל ההתקן (כברירת מחדל, כל יציאה חיצונית ופנימית חברה ב-VLAN 1)
- מסיכת רשת המשנה של ה-IP עבור הרשת
- כתובת ה-IP של שער ברירת המחדל (נתב הקפיצה-הבאה) לקביעת התצורה של נתיב ברירת המחדל.

אשף ההגדרה מספק הנחיות לאורך קביעת התצורה הראשונית של ההתקן, ומביא את המערכת למצב הפעלה במהירות האפשרית. באפשרותך לדלג על השימוש באשף ההגדרה ולקבוע ידנית את התצורה של ההתקן באמצעות ממשק שורת הפקודה (CLI) של ההתקן. לקבלת סיוע בקביעת תצורה של ההתקן באמצעות CLI, עיין במדריך למשתמש של *PowerConnect 2800*.

אשף ההגדרה קובע את התצורה של השדות הבאים.

- מחרוזת קהילת SNMP וכתובת IP של מערכת ניהול SNMP (אופציונלי)
- שם משתמש וסיסמה
- כתובת IP של ההתקן
- כתובת ה-IP של מסיכת רשת המשנה
- כתובת ה-IP של שער ברירת המחדל



אתחול ההתקן - מצב מנוהל

ההליך המתואר בסעיף זה מתייחס להתקן כאשר הוא מוגדר לפעול כמתג מנוהל. דגמי PowerConnect 2808/16/24/48 כוללים לחצן מצב דו-תכליתי מוכלל. כדי לעבור בין מצב מנוהל למצב לא מנוהל, לחץ על לחצן המצב למשך פחות משבע שניות.

ברגע שההתקן מוגדר לפעול כמתג מנוהל, ניתן לנטר את הליך האתחול במסוף המחובר, באופן הבא:

- 1 ודא שיציאת המסוף של ההתקן מחוברת להתקן מסוף VT100 או למדמה מסוף VT100, דרך כבל מוצלב RS-232.
- 2 אתר שקע חשמל.
- 3 נטרל את שקע החשמל.
- 4 חבר את ההתקן אל השקע.
- 5 הפעל את שקע החשמל.

ברגע שהפעלה, כאשר המסוף המקומי מחובר כבר, ההתקן עובר בדיקה עצמית בהפעלה (Power On Self Test - POST). תהליך POST מופעל בכל אתחול של ההתקן ובודק את רכיבי החומרה כדי לקבוע אם ההתקן מוכן לשימוש, לפני אתחול מלא. אם מזוהה בעיה קריטית, רצף התוכנית נעצר. אם POST עובר בהצלחה, תמונת הפעלה תקפה נטענת ל-RAM. הודעות POST מוצגות במסוף ומציינות אם הבדיקה עברה בהצלחה או נכשלה.

במצב לא מנוהל, תהליך האתחול פועל במשך פחות מ- 45 שניות, ובשאר המצבים במשך 90 שניות לערך.

תצורה התחלתית - מצב מנוהל

המידע וההליכים המתוארים בסעיף זה חלים על התקן זה כאשר הוא מוגדר לפעול כמתג במצב מנוהל.

הערה: במפעל המתג מוגדר במצב לא מנוהל. לקבלת תיאור מלא של קביעת התצורה של ההתקן, עיין במדריך למשתמש של מערכות Dell™ PowerConnect™ 28xx, פרק 4, "הפעלה וקביעת תצורה של ההתקן".

כדי לחבר את ההתקן לרשת:

1 חבר קצה אחד של כבל הזוג השזור למחבר ה-RJ-45 של ההתקן ואת הקצה השני למתג או לשרת.

2 ודא שאורך כל כבל זוג שזור אינו עולה על 100 מטר.

בעת ביצוע כל חיבור, נורית ה-LED של הקישור המתאימה לכל יציאה בהתקן מאירה (בירוק או כתום), כדי לציין שהחיבור תקף.

חיבור המסוף להתקן

בדגמים 28016/24/48, ההתקן מספק יציאת מסוף חיצונית. יציאת המסוף המאפשרת חיבור למערכת מסוף שולחנית שבה מופעלת תוכנת הדמיית מסוף, לשם ניטור ההתקן ולקביעת התצורה שלו.

יציאת המסוף היא מחבר DB-9 זכר, המיושם כמחבר ציוד מסוף מידע (Data Terminal Equipment - DTE).

כדי להשתמש ביציאת המסוף, נדרש הציוד הבא:

- מסוף תואם VT100, או מערכת שולחנית או ניידת עם יציאה טורית ושפועלת בה תוכנת הדמיית מסוף VT100.
- כבל RS-232 מוצלב עם מחבר DB-9 נקבה עבור יציאת המסוף ומחבר המתאים למסוף.

כדי לחבר מסוף ליציאת המסוף בהתקן, בצע את השלבים הבאים:

1 חבר את הכבל המוצלב RS-232 שמצורף למסוף שבו פועלת תוכנת הדמיית מסוף VT100.

2 ודא שתוכנת הדמיית המסוף מוגדרת באופן הבא:

a בחר את היציאה הטורית המתאימה (יציאה טורית 1 או יציאה טורית 2) לחיבור אל המסוף.

b עבור קצב שידור הגדר 9600 baud.

c עבור תבנית נתונים הגדר 8 סיביות נתונים, סיבית עצירה 1, וללא זוגיות.

d עבור בקרת זרימה הגדר none.

e תחת Properties (מאפיינים), בחר במצב VT100 for Emulation.

f בחר Terminal keys עבור Function, Arrow and Ctrl keys. ודא שההגדרה היא עבור Terminal keys (לא עבור Windows keys).

שים לב: בעת שימוש ב-HyperTerminal עם מערכת הפעלה Microsoft® Windows 2000, Windows XP או Windows Vista, ודא שמותקנות חבילות השירות (Service Pack) העדכניות ביותר. ב-Windows 2000 Service Pack 2, מקשי החצים פועלים כהלכה בהדמיית VT100 של HyperTerminal. לקבלת מידע אודות חבילות שירות של Windows 2000, Windows XP ו-Windows Vista, עבור אל www.microsoft.com.

3 חבר את מחבר הנקבה של הכבל המוצלב RS-232 ישירות ליציאת המסוף בהתקן והדק את הברגים. ב-PowerConnect 2800 Series יציאת המסוף נמצאת בלוח האחורי.

3

הפעלה וקביעת תצורה של ההתקן


לאחר השלמת כל החיבורים החיצוניים, המשך באופן הבא:

- אם השימוש בהתקן יהיה כמתג לא מנוהל, אין צורך בחיבור מסוף.

- חיבור מסוף נדרש אם השימוש בהתקן יהיה במצב מנוהל.

הערה: PowerConnect 2808 מצויד ביציאה טורית פנימית. 

פונקציות מתקדמות מתוארות במדריך למשתמש של *Dell™ PowerConnect™ 2800* הנמצא בתקליטור התיעוד.

הערה: לפני שתמשיך, קרא את הערות המוצר של מוצר זה. ניתן להוריד את הערות המוצר מהכתובת <http://support.dell.com> 


הערה: מומלץ להשיג את הגרסה המעודכנת ביותר של תיעוד המשתמש מאתר התמיכה של Dell בכתובת support.dell.com 

מצבי ניהול

PowerConnect 2808/16/24/48 מצויד בלחצן מצב בלוח הקדמי. לחצן המצב מעביר בין מצב מנוהל למצב לא מנוהל, או מעביר בין מצב מאובטח למצב מנוהל. לקבלת תיאור מלא של מצבי ניהול, עיין במדריך למשתמש של *Dell™ PowerConnect™ 2800* הנמצא בתקליטור התיעוד.

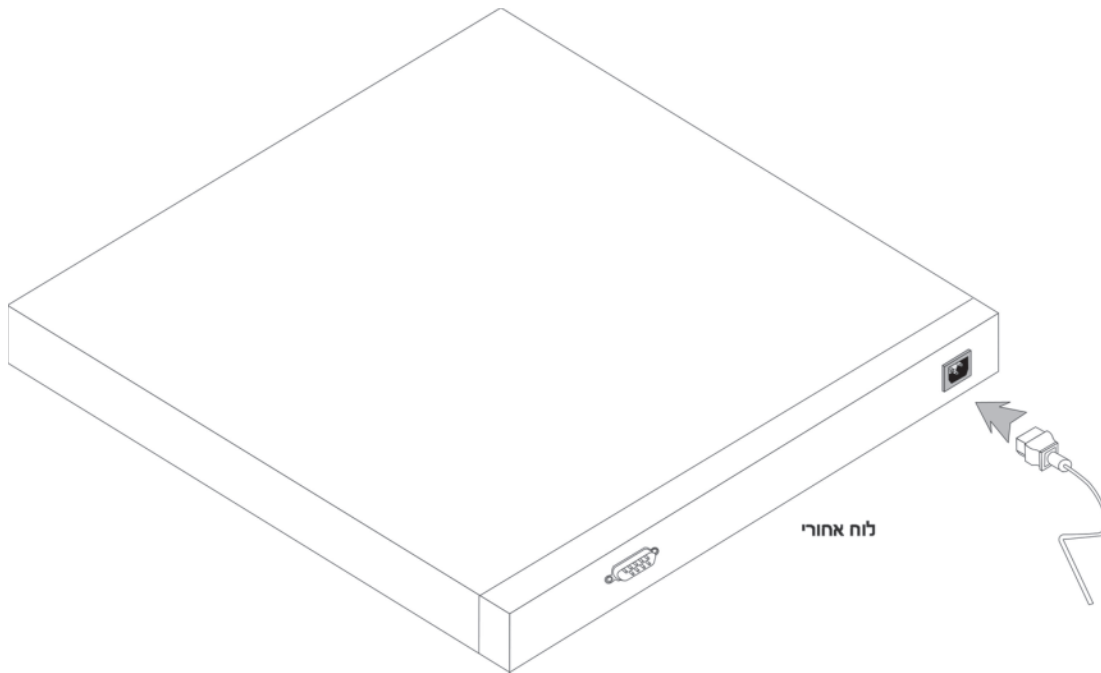
חיבור ההתקן לרשת

כדי להתחבר ליציאת ערוץ לווייני (uplink), השתמש בכבלי זוג שזור לא מסוכך (UTP) מקטגוריה 5 עם מחברי RJ-45 בשני הקצוות. יציאות ה-RJ-45 בהתקן ה-Ethernet תומכות בפעולת Media-Dependent Interface (ממשק תלוי מדיה) אוטומטי / Media-Dependent Interface עם חיווט מוצלב פנימי (MDI/MDIX) תחת מצב דו-שיח אוטומטי. ניתן להשתמש בכבלי זוג שזור ישיר סטנדרטיים כדי להתחבר לכל רשת Ethernet אחרת (מערכות, שרתים, מתגים או נתבים) התומכת במשא ומתן אוטומטי.

הערה: אל תחבר מחבר טלפון ליציאת RJ-45. דבר זה יגרום נזק להתקן ה-Ethernet. השתמש רק בכבלי זוג שזור עם מחברי RJ-45 העומדים בתקני FCC. 

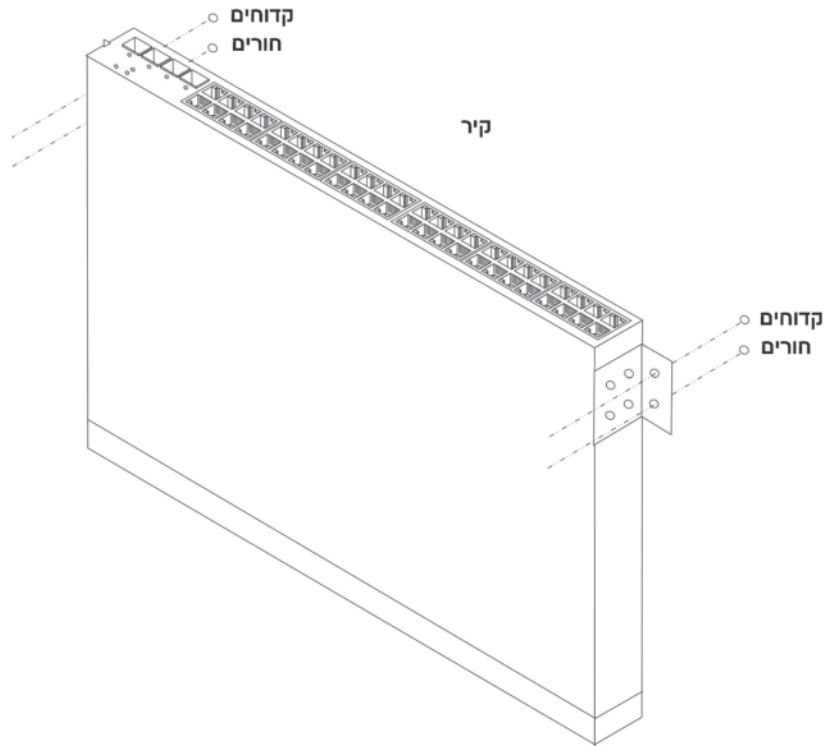
הערה: אם משא ומתן אוטומטי כבוי ביציאות, יש להשתמש בכבל ישיר. 

איור 2-4. חיבור לאספקת חשמל



3 לאחר חיבור ההתקן למקור חשמל, ודא שההתקן מחובר ופועל כהלכה על-ידי בדיקת נוריות ה-LED בלוח הקדמי.

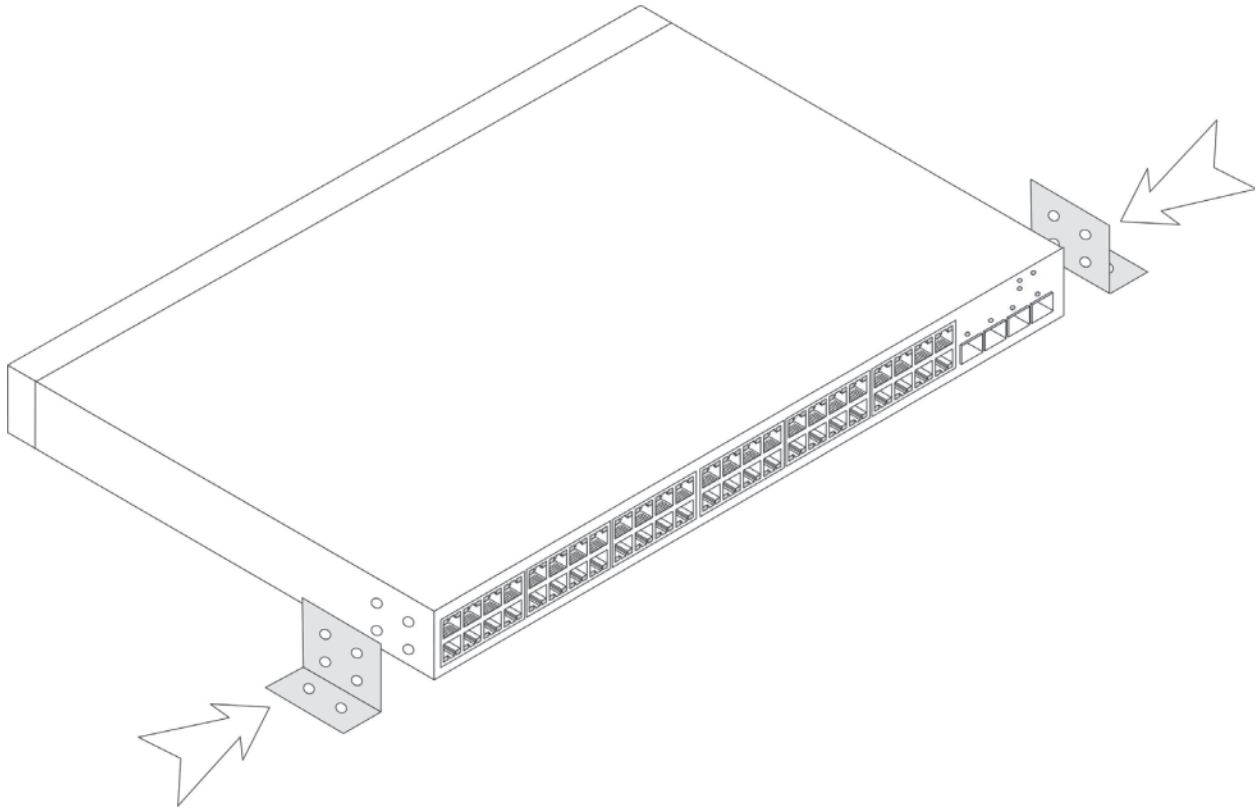
איור 2-3. התקנת התקן על קיר



חיבור ההתקן לחשמל

- 1 חבר את כבל החשמל הסטנדרטי המצורף למחבר החשמל הממוקם בלוח האחורי.
- 2 עדיין אל תחבר את כבל החשמל לשקע חשמל מוארק. חבר את ההתקן למקור חשמל בשלבים המפורטים בסעיף "הפעלה וקביעת תצורה של ההתקן".

איור 2-2. התקנה בכנ או הרכבה על קיר



- 3 הכנס את הברגים המצורפים לחורים שבמעמד והדק במברג.
- 4 חזור על התהליך עבור כן ההרכבה בקיר בצד השני של ההתקן.
- 5 הצב את ההתקן על הקיר, במיקום שבו מותקן ההתקן.
- 6 סמן על הקיר את המקומות שבהם יש להבריג את הברגים המחזיקים את ההתקן.
- 7 במקומות המסומנים, קדח חורים והכנס דיבלים (לא מצורפים) בכל החורים.
- 8 אבטח את ההתקן לקיר בברגים (לא מצורפים). ודא שחורי האוורור אינם חסומים.

- 3 חזור על התהליך עבור כן ההרכבה במעמד בצד השני של ההתקן.
- 4 הכנס את ההתקן לתוך המעמד, וודא שחורי ההרכבה במעמד בהתקן מיושרים עם חורי ההרכבה במעמד.
- 5 אבטח את ההתקן למעמד באמצעות בורגי המעמד (לא מצורפים). הדק את צמד הברגים התחתון לפני צמד הברגים העליון. ודא שחורי האוורור אינם חסומים.

התקנה על משטח ישר

יש להתקין את ההתקן על משטח ישר, אם אין מרכיבים אותו במעמד. המשטח חייב להיות מסוגל לשאת את משקל ההתקן וכבלי ההתקן.

- 1 חבר את רפידות הגומי הדביקות (מצורפות להתקן) בכל אחד מהמקומות המסומנים בתחתית התושבת.
- 2 הנח את ההתקן על משטח ישר, והשאר 5.08 ס"מ (2 אינץ') מכל צד ו- 12.7 ס"מ (5 אינץ') מאחור.
- 3 ודא שההתקן מאוורר כהלכה.

התקנה על קיר

להתקנת ההתקן על הקיר:

- 1 ודא שמיקום ההרכבה עונה על הדרישות הבאות:
 - משטח הקיר חייב להיות מסוגל לתמוך בהתקן.
 - השאר לפחות 5.1 ס"מ (2 אינץ') בכל צד לאוורור נאות ו- 12.7 ס"מ (5 אינץ') מאחור עבור כבל החשמל.
 - אסור שמקום ההתקנה יהיה חשוף לאור שמש ישיר.
 - מקום ההתקנה חייב להיות במרחק של 61 ס"מ לפחות מפתחי חימום, ולא בקרבת פתח חימום הפונה ישירות אל ההתקן.
 - מקום ההתקנה חייב להיות מאוורר, כדי למנוע הצטברות חום.
 - אין למקם את ההתקן בקרבת כבלי נתונים או חשמל.
 - לכבל החשמל חייבת להיות אפשרות להגיע לשקע.
- 2 שים את כני ההרכבה על הקיר המצורפים בצד אחד של ההתקן, וודא שחורי ההרכבה בהתקן מיושרים עם חורי ההרכבה בכך ההרכבה. האיור הבא מראה את מיקום התקנת הכנים.

- ודא שההתקן אינו יוצר עומס יתר על מעגלי החשמל, החיווט ועל ההגנה מפני זרם יתר. כדי לקבוע את האפשרות לעומס יתר על מעגלי החשמל, סכום את דירוג האמפר של כל ההתקנים המותקנים באותו מעגל שאליו מחובר ההתקן. השווה את התוצאה למגבלת הדירוג של המעגל.
- אין להתקין את ההתקן בסביבה שבה טמפרטורת סביבת ההפעלה עלולה לחרוג מ- 40 מעלות צלזיוס (104 מעלות פרנהייט).
- ודא שזרימת האוויר סביב החזית, הצדדים והחלק האחורי של ההתקן אינה מוגבלת.

התקנת ההתקן במעמד

⚠ התראה: קרא את מידע הבטיחות במדריך מידע המוצר, כמו גם את מידע הבטיחות של התקנים אחרים המתחברים להתקן או תומכים בו.

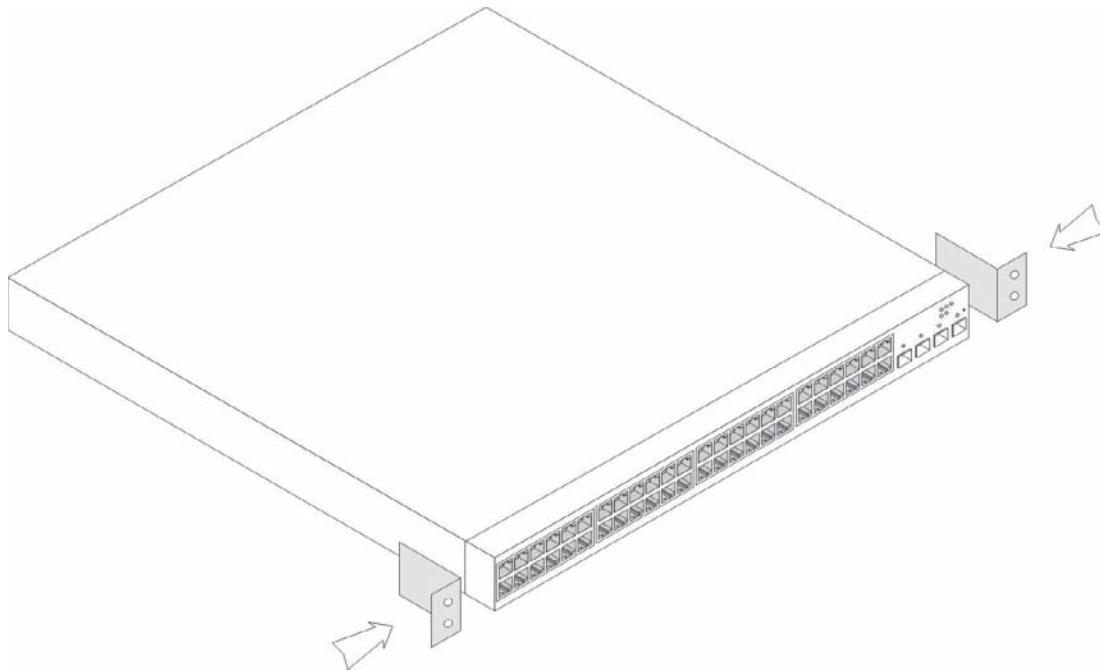
⚠ התראה: נתק את כל הכבלים מההתקן, לפני שתרכיב את ההתקן במעמד או בארון.

⚠ התראה: בעת התקנת מספר התקנים במעמד, הרכב את ההתקנים מהתחתית כלפי מעלה.

התקן את ההתקן במעמד באופן הבא:

- 1 בצד אחד של ההתקן שים את כני ההרכבה במעמד המצורפים, וודא שחורי ההרכבה בהתקן מיושרים עם חורי ההרכבה בכך ההרכבה במעמד. האיור הבא מראה את מיקום התקנת הכנים.

איור 1-2. התקנה בכך או הרכבה במעמד



- 2 הכנס את הברגים המצורפים לחורים שבמעמד והדק במברג.

2

הרכבת ההתקן

סקירה כללית

הוראות ההרכבה הבאות חלות על התקני PowerConnect 2808/16/24/48. קיימות שלוש אפשרויות להרכבת ההתקן:

- התקנה במעמד
- התקנה על משטח ישר
- התקנה על קיר

אמצעי זהירות בהתקנה

⚠ התראה: לפני ביצוע כל אחד מההליכים הבאים, קרא את הוראות הבטיחות הנמצאות במדריך מידע המוצר ופעל לפיהן.

⚠ התראה: פעל לפי הנקודות הבאות, לפני ביצוע ההליכים בסעיף זה:

- ודא שהמעמד או הארון המאחסן את ההתקן מאובטח כהלכה, כדי למנוע חוסר יציבות ו/או נפילה שלו.
- ודא שמעגלי אספקת החשמל מוארקים כהלכה.
- שים לב לסימוני השירות ופעל על-פיהם. יש לטפל בכל התקן רק כפי שמוסבר בתיעוד המערכת. פתיחה או הסרה של כיסויים המסומנים בסמל משולש עם סימן ברק עלולה לגרום להתחשמלות. רכיבים אלה יטופלו רק על-ידי טכנאי שירות מוסמכים.
- ודא שכבל החשמל, הכבל המאריך ו/או התקע אינם פגומים.
- ודא שההתקן אינו חשוף למים.
- ודא שההתקן אינו חשוף לתנורי חימום ו/או למקורות חום.
- ודא שפתחי הקירור אינם חסומים.
- אין לדחוף חפצים זרים לתוך ההתקן, מכיוון שהדבר עלול לגרום להתחשמלות.
- השתמש בהתקן עם ציוד מורשה בלבד.
- הנח להתקן להתקרר לפני הסרת כיסויים או נגיעה בציוד פנימי.

לפני התקנתו, ודא שהמקום שנבחר להתקן עונה על דרישות האתר הבאות:

- **חשמל** - ההתקן מותקן במרחק של 1.5 מטר לכל היותר משקע 220/110 וולט ז"ח, 50/60 הרץ מוארק, נגיש בקלות. אם ההתקן כולל שני ספקי זרם, באתר צריכים להיות שני שקעי חשמל על מעגלים שונים.
- **כללי** - ודא שאספקת החשמל מותקנת כהלכה.
- **מרווח** - יש מרווח מתאים מלפנים לגישת מפעיל. השאר מרווח לכבלים, חיבורי חשמל ואוורור.
- **כבלים** - הכבלים מנותבים באופן שימנע מקורות של רעש חשמלי, כגון משדרי רדיו, מגברים, קווי חשמל והתקני תאורת פלואורסנט.
- **דרישות סביבה** - טווח טמפרטורת סביבת ההפעלה של ההתקן נע בין 0 עד 45 מעלות צלזיוס בלחות יחסית של 95% לכל היותר, ללא עיבוי. ודא שמים או לחות לא יכולים לחדור למארז ההתקן.

הוצאה מהאריזה

תכולת האריזה

בעת הוצאת ההתקן מהאריזה, ודא שהפריטים הבאים נמצאים:

- ההתקן
- כבל חשמל
- רפידות גומי דביקות (להתקנה על מדף)
- ערכת הרכבה להתקנה במעמד
- תקליטור תיעוד
- מדריך מידע מוצר

הוצאת ההתקן מהאריזה

כדי להוציא את התקן ה- PowerConnect מהאריזה:

 **הערה:** לפני הוצאת ההתקן מהאריזה, בדוק את האריזה ודווח על כל סימן של נזק.

- 1 הנח את הקופסה על משטח נקי וישר.
- 2 פתח את הקופסה או הסר את החלק העליון שלה.
- 3 הסר בזהירות את ההתקן מהאריזה והנח אותו על משטח נקי ויציב.
- 4 הסר את כל חומרי האריזה.
- 5 בדוק אם המוצר נפגע. דווח מיד על כל נזק.

התקנה

סקירה כללית

מסמך זה מספק מידע בסיסי להתקנה ולהפעלה ראשונה של מתגי PowerConnect 2800 series מסוג Gigabit Ethernet המנוהלים דרך האינטרנט:

- PowerConnect 2808
- PowerConnect 2816
- PowerConnect 2824
- PowerConnect 2848

ניתן להשתמש ב- PowerConnect 2800 Series לחיבור תחנות עבודה והתקני רשת אחרים, כגון:

- שרתים
- רכזות
- נתבים

התקני PowerConnect מיועדים בעיקר למשרד הקטן/הביתי (SOHO - Small Office/Home Office) שדרושה לו קישוריות קצה עתירת ביצועים. התקני PowerConnect אלה מושלמים לעסקים קטנים עד בינוניים שדרושה להם קישוריות רשת עתירת ביצועים, יחד עם תכונות ניהול מתקדמות דרך האינטרנט. תכונות הניהול של PowerConnect מתוכננות לצמצם את מאמץ הניהול, תוך השבחה ושיפור של בקרת התנועה של הרשת.

המתג יוצא מהמפעל במצב לא מנוהל. אם משתמש מעוניין להשתמש במתג כמתג לא מנוהל, עליו פשוט לחבר את המתג ולהתחיל להשתמש בו. אין צורך בקביעת תצורה. אם אותו משתמש מעוניין להשתמש במתג כמתג מנוהל, עליו לשנות את המצב מלא מנוהל למנוהל, כמתואר במדריך למשתמש של Dell™ PowerConnect™ 2800 Series, אשר זמין בתקליטור התיעוד. לחילופין, ניתן לעיין באתר התמיכה של Dell בכתובת www.support.dell.com לקבלת העדכונים האחרונים של התיעוד והתוכנות.

הכנת האתר




דרישות האתר

את התקני PowerConnect 2808/16/24/48 ניתן להרכיב במעמד ציוד סטנדרטי, להניח על שולחן או להרכיב על הקיר.

116	תצורת אינטרנט
		התכונה החדשה הידידותית לסביבה:
116	Green Ethernet
117	הודעות תקינה
		información NOM (únicamente para
117	(México
117	Informação sobre Órgão Regulador

99	התקנה
99	סקירה כללית
99	הכנת האתר
99	דרישות האתר
100	הוצאה מהאריזה
100	תכולת האריזה
100	הוצאת ההתקן מהאריזה
101	הרכבת ההתקן
101	סקירה כללית
101	אמצעי זהירות בהתקנה
102	התקנת ההתקן במעמד
103	התקנה על משטח ישר
103	התקנה על קיר
105	חיבור ההתקן לחשמל
107	הפעלה וקביעת תצורה של ההתקן
107	מצבי ניהול
107	חיבור ההתקן לרשת
108	חיבור המסוף להתקן
109	אתחול ההתקן - מצב מנוהל
109	תצורה התחלתית - מצב מנוהל

הערות, הודעות והתראות

-  **הערה:** "הערה" מציינת מידע חשוב המסייע להשתמש במכשיר ביתר יעילות.
-  **שים לב:** "שים לב" מצוין נזק אפשרי לחומרה או אובדן נתונים, ומספק מידע כיצד ניתן למנוע את הבעיה.
-  **התראה:** "התראה" מציינת אפשרות של נזק לרכוש, פגיעה גופנית או מוות.

המידע במסמך זה עשוי להשתנות ללא הודעה.
© 2008 Dell Inc. כל הזכויות שמורות.

חל איסור מוחלט על העתקה מכל סוג ללא הרשאה בכתב מ-Dell Inc.

סימנים מסחריים שבשימוש בטקסט זה: *Dell*, *Dell OpenManage*, *DELL*, *Inspiron*, *Dell Precision*, *Dimension*, *OptiPlex*, *PowerConnect*, *PowerApp*, *PowerVault*, *Axim*, *DellNet* ו-*Latitude* הם סימנים מסחריים של Dell Inc. ו-*Windows* הם סימנים מסחריים רשומים של Microsoft Corporation.

ייתכן שייעשה שימוש בסימנים מסחריים ובשמות מסחריים אחרים במסמך זה כדי להתייחס לישויות הטוענות לבעלות על הסימנים והשמות, או למוצרים שלהן. Dell Inc. מוותרת על כל חלק קנייני בסימנים מסחריים ושמות מסחריים פרט לאלה שבבעלותה.




Dell™ PowerConnect 28xx למערכות

מדריך תחילת עבודה

Sistem Dell™ PowerConnect™ 28xx

Panduan Pengaktifan

Catatan, Pemberitahuan, dan Perhatian

-  **CATATAN:** CATATAN menunjukkan informasi penting yang membantu Anda mengoptimalkan penggunaan perangkat.
-  **PEMBERITAHUAN:** PEMBERITAHUAN menunjukkan kerusakan potensial pada perangkat keras atau kehilangan data yang mungkin terjadi dan memberitahukan Anda cara menghindari masalah tersebut.
-  **PERHATIAN:** PERHATIAN menunjukkan potensi terjadinya kerusakan properti, cedera pada seseorang, atau kematian.

Informasi dalam dokumen ini dapat diubah tanpa pemberitahuan sebelumnya.

© 2008 Dell Inc. Hak cipta dilindungi undang-undang.

Dilarang keras memperbanyak dengan cara apa pun tanpa izin tertulis dari Dell Inc.

Merek dagang yang digunakan dalam teks ini: *Dell, Dell OpenManage*, logo *DELL*, *Inspiron, Dell Precision, Dimension, OptiPlex, PowerConnect, PowerApp, PowerVault, Axim, DellNet*, dan *Latitude* merupakan merek dagang dari Dell Inc. *Microsoft* dan *Windows* merupakan merek dagang terdaftar dari Microsoft Corporation.

Merek dagang lain dan nama dagang yang mungkin digunakan dalam dokumen ini mengacu ke entitas yang mengaku memiliki merek dan nama produk mereka. Dell Inc. tidak mengklaim kepemilikan dari merek dagang dan nama dagang selain miliknya sendiri.

Daftar Isi

1	Pemasangan	
	Ikhtisar	123
	Persiapan Lokasi	124
	Persyaratan untuk Lokasi	124
	Mengeluarkan	124
	Package Contents	124
	Mengeluarkan Perangkat	125
2	Memasang Perangkat	
	Ikhtisar	127
	Tindakan Pencegahan untuk Pemasangan	127
	Memasang Rak Perangkat	128
	Memasang di Permukaan Datar	129
	Memasang di Dinding	129
	Menyambungkan Perangkat ke Catu Daya	131
3	Memulai dan Mengonfigurasi Perangkat	
	Mode Manajemen	133
	Menyambungkan Perangkat ke Jaringan	133
	Menyambungkan Terminal ke Jaringan	134
	Melakukan Booting Perangkat - Mode dengan Pengaturan (Managed Mode)	135
	Konfigurasi Inisial - Mode dengan Pengaturan (Managed Mode)	136
	Konfigurasi Web	142
	Fitur Ramah Lingkungan Keluaran Terbaru: Green Ethernet	142
	Pemberitahuan Peraturan	143
	información NOM (únicamente para México)	143
	Informação sobre Órgão Regulador	143

Pemasangan

Ikhtisar

Dokumen ini berisi informasi dasar untuk memasang dan memulai pengoperasian seri PowerConnect 2800 berikut ini untuk saklar Gigabit Ethernet dengan pengaturan berbasis Web:

- PowerConnect 2808
- PowerConnect 2816
- PowerConnect 2824
- PowerConnect 2848

Seri PowerConnect 2800 dapat digunakan untuk menghubungkan stasiun kerja dan perangkat jaringan lainnya, seperti:

- Server
- Hub
- Router

Perangkat PowerConnect terutama sekali ditujukan untuk Small Office/Home Office (SOHO) yang membutuhkan konektivitas edge dengan performa yang tinggi. Perangkat PowerConnect ini ideal untuk bisnis berskala kecil hingga menengah yang memerlukan konektivitas jaringan berperforma tinggi dengan fitur manajemen web yang canggih. Fitur manajemen PowerConnect didesain untuk meminimalkan tugas manajemen administratif sekaligus meningkatkan dan memperbaiki kontrol lalu lintas jaringan.

Saat dikeluarkan dari pabrik, saklar berada dalam Mode Tanpa Pengaturan. Jika pengguna ingin menggunakan saklar sebagai saklar tanpa pengaturan, pengguna hanya perlu memasang saklar tersebut dan langsung menggunakannya. Pengguna tidak perlu melakukan konfigurasi. If the same user wishes to use the switch as a managed switch, they need to change the mode from Unmanaged to Managed, as described in the Dell™ PowerConnect™ 2800 Series User's Guide, available on the CD Dokumentasi. Alternatively, you may check the Dell support website at www.support.dell.com for the latest documentations and software updates.

Persiapan Lokasi

Persyaratan untuk Lokasi

Perangkat PowerConnect 2808/16/24/48 dapat dipasang di rak peralatan standar, diletakkan di atas meja, atau dipasang di dinding.

Sebelum memasang perangkat, periksa apakah lokasi yang dipilih untuk perangkat tersebut telah memenuhi persyaratan berikut:

- **Daya** — Perangkat dipasang dalam jarak 1,5 m (5 kaki) dari outlet yang mudah diakses dan memiliki koneksi ke ground berdaya 220/110 VAC, 50/60 Hz. Jika perangkat memiliki dua catu daya, lokasi tersebut sebaiknya memiliki dua outlet daya dengan pemasok daya yang berbeda.
- **Umum** — Pastikan catu daya terpasang dengan benar.
- **Jarak** — Jarak bagian depan harus cukup memadai untuk akses operator. Berikan jarak yang cukup untuk sistem perkabelan, koneksi daya, dan ventilasi.
- **Sistem Perkabelan** — Sistem perkabelan dirutekan untuk menghindari sumber suara elektrik seperti transmiter radio, amplifier broadcast, jalur daya, dan dudukan lampu berfluoresen.
- **Persyaratan Sekitar** — Kisaran suhu sekitar untuk pengoperasian perangkat adalah 0 hingga 45 °C (32 hingga 113 °F) pada kelembapan relatif hingga 95%, tanpa kondensasi. Pastikan air atau uap air tidak dapat memasuki rumah perangkat.

Mengeluarkan

Package Contents

Saat mengeluarkan perangkat, pastikan komponen berikut ada:

- Perangkat
- Kabel daya AC
- Dudukan karet berperekat (untuk pemasangan di rak)
- Peralatan pemasangan rak untuk pemasangan perangkat
- CD Dokumentasi
- *Panduan Informasi Produk*

Mengeluarkan Perangkat

Untuk mengeluarkan perangkat PowerConnect:



CATATAN: Sebelum mengeluarkan perangkat, periksa kemasan dan laporkan bila ada tanda-tanda kerusakan.

- 1 Letakkan kotak di permukaan yang datar dan bersih.
- 2 Buka kotak atau lepaskan bagian atas kotak.
- 3 Keluarkan perangkat dengan hati-hati dari kemasan dan letakkan di permukaan yang bersih, stabil, dan aman.
- 4 Lepaskan semua material kemasan.
- 5 Periksa apakah ada kerusakan pada produk. Laporkan segera kerusakan tersebut.

Memasang Perangkat

Ikhtisar

Petunjuk pemasangan berikut ditujukan untuk perangkat PowerConnect 2808/16/24/48. Ada tiga pilihan pemasangan perangkat:

- Memasang di Rak
- Memasang di Permukaan Datar
- Memasang di Dinding

Tindakan Pencegahan untuk Pemasangan

 **PERHATIAN: PERHATIAN** Sebelum melakukan salah satu prosedur berikut, baca dan ikuti instruksi keselamatan yang terdapat di *Panduan Informasi Produk* Anda.

 **PERHATIAN: PERHATIAN** Perhatikan hal-hal berikut sebelum melakukan prosedur di bagian ini:

- Pastikan rak atau kabinet tempat perangkat telah dikencangkan dengan benar agar tetap stabil dan/atau tidak terjatuh.
- Pastikan sirkuit sumber daya telah dikoneksikan ke ground dengan benar.
- Perhatikan dan patuhi tanda servis. Jangan lakukan servis perangkat kecuali seperti yang telah diuraikan di dalam dokumentasi sistem. Membuka atau melepaskan penutup bersimbol segitiga dengan tanda petir dapat menyebabkan Anda tersengat listrik. Komponen ini hanya boleh diservis oleh teknisi servis terlatih.
- Pastikan kabel daya, kabel ekstensi, dan/atau konektor tidak rusak.
- Pastikan perangkat tidak terkena air.
- Pastikan perangkat tidak berdekatan dengan radiator dan/atau terpapar sumber panas.
- Pastikan ventilasi pendingin tidak terhambat.
- Jangan masukkan benda-benda asing ke dalam perangkat karena hal tersebut dapat menyebabkan kebakaran atau tersengat listrik.
- Gunakan perangkat hanya dengan peralatan yang telah disetujui.
- Biarkan perangkat dingin sebelum membuka penutup atau menyentuh peralatan internal.

- Pastikan perangkat tidak melampaui kapasitas sirkuit daya, sistem perkabelan, dan proteksi arus berlebih. Untuk menentukan kemungkinan adanya pemakaian arus yang melebihi sirkuit arus, tambahkan nilai ampere dari semua perangkat yang terpasang pada sirkuit yang sama sebagai satu perangkat. Bandingkan total jumlah ini dengan batas nilai ampere untuk sirkuit tersebut.
- Jangan pasang perangkat di tempat dengan suhu pengoperasian sekitar yang dapat melampaui 40°C (104°F).
- Pastikan aliran udara di bagian depan, samping, dan belakang perangkat tidak terhambat.

Memasang Rak Perangkat

⚠ PERHATIAN: Baca informasi keselamatan di Panduan Informasi Produk serta informasi keselamatan untuk perangkat lain yang terhubung ke atau mendukung perangkat.

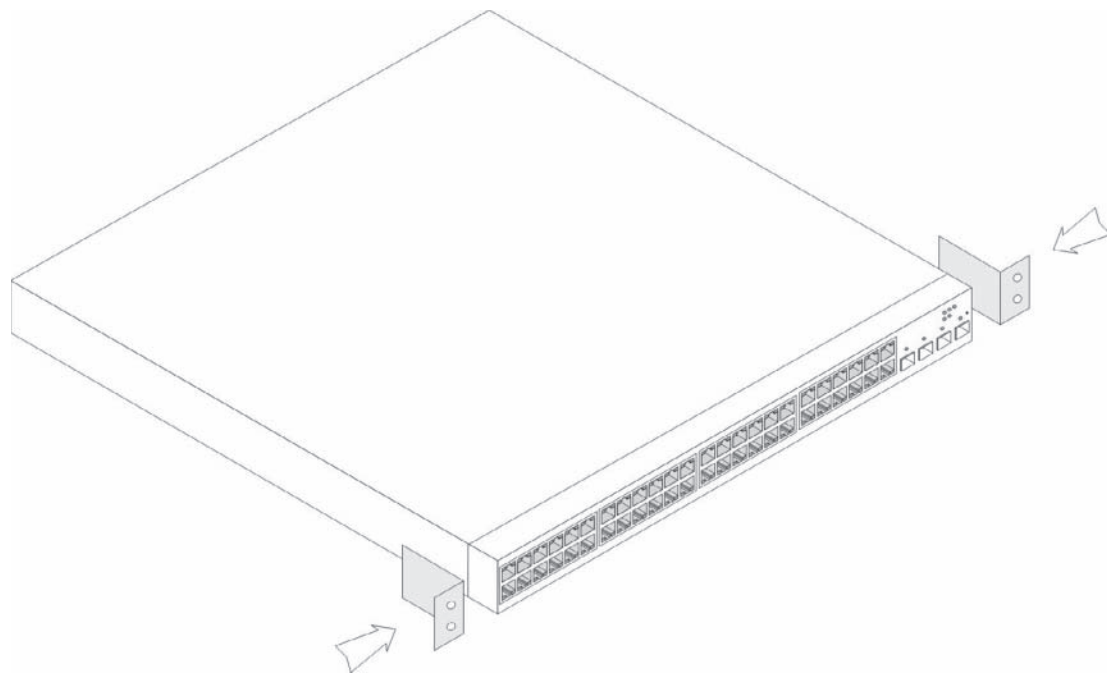
⚠ PERHATIAN: Lepaskan semua kabel dari perangkat sebelum memasang perangkat di rak atau kabinet.

⚠ PERHATIAN: Saat memasang beberapa perangkat ke rak, pasang perangkat dengan susunan dari bawah ke atas.

Pasang perangkat di rak sebagai berikut:

- 1 Pasang braket pemasangan rak yang telah disediakan pada satu sisi perangkat untuk memastikan lubang pemasangan di perangkat sejajar dengan lubang pemasangan di braket pemasangan rak. Gambar berikut menunjukkan lokasi pemasangan braket.

Gambar 2 -1. Pemasangan Braket untuk Pemasangan Rak



- 2 Pasang baut yang telah disediakan ke lubang pemasangan rak dan kencangkan dengan obeng.

- 3 Ulangi proses tersebut untuk braket pemasangan rak di sisi lainnya dari perangkat.
- 4 Masukkan perangkat ke dalam rak untuk memastikan lubang pemasangan rak di perangkat sejajar dengan lubang pemasangan di rak.
- 5 Kencangkan perangkat ke dalam rak dengan baut rak (tidak disediakan). Kencangkan pasangan baut bagian bawah sebelum mengencangkan pasangan baut bagian atas. Pastikan lubang ventilasi tidak terhalang.

Memasang di Permukaan Datar

Perangkat harus dipasang di permukaan yang datar jika tidak dipasang di rak. Permukaan harus mampu menahan beban perangkat dan kabel perangkat.

- 1 Pasang bantalan karet berperekat (diberikan bersama perangkat) di setiap lokasi yang telah diberi tanda di bagian bawah sasis.
- 2 Letakkan perangkat di permukaan yang datar, dengan memberikan jarak 2 inci (5,08 cm) di setiap sisi dan 5 inci (12,7 cm) di bagian belakang.
- 3 Pastikan perangkat memiliki ventilasi yang baik.

Memasang di Dinding

Untuk memasang perangkat di dinding:

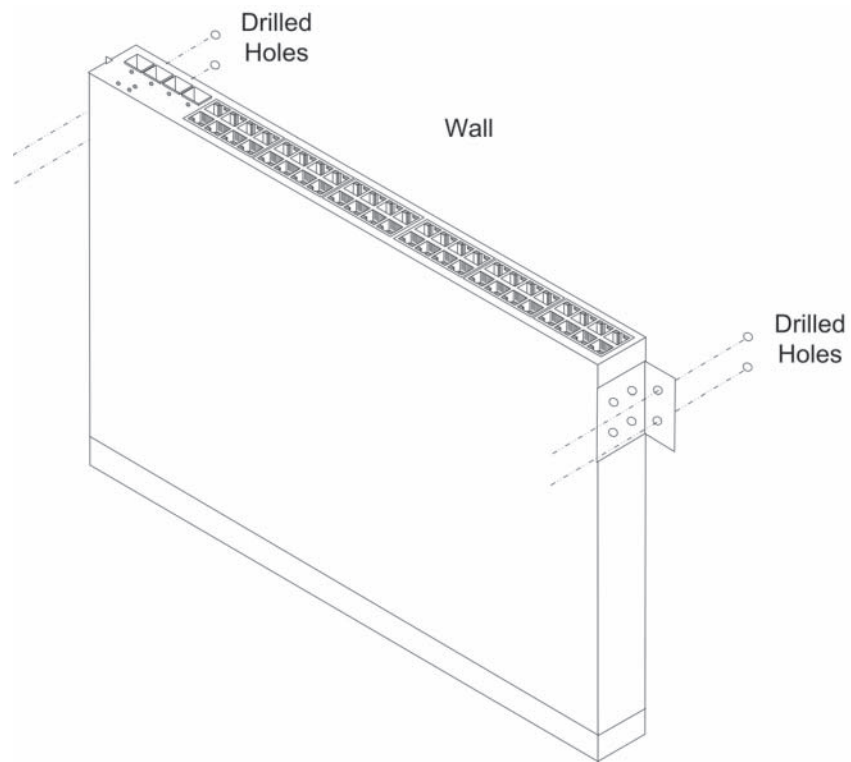
- 1 Pastikan lokasi pemasangan memenuhi persyaratan berikut:
 - Permukaan dinding harus mampu menopang perangkat.
 - Berikan jarak minimal 2 inci (5,1 cm) di setiap sisi untuk mendapatkan ventilasi yang baik dan 5 inci (12,7 cm) di bagian belakang untuk kabel daya.
 - Lokasi tersebut tidak boleh terpapar sinar matahari langsung.
 - Lokasi harus berjarak minimal 2 kaki (61 cm) dari ventilasi pemanas, dan tidak boleh ada ventilasi pemanas area yang mengarah ke perangkat.
 - Lokasi harus memiliki sistem ventilasi untuk mencegah pembentukan panas.
 - Jangan tempatkan perangkat di dekat kabel data atau kabel listrik.
 - Kabel daya harus dapat menjangkau outlet.
- 2 Pasang braket pemasangan dinding yang telah disediakan pada satu sisi perangkat untuk memastikan lubang pemasangan di perangkat sejajar dengan lubang pemasangan di braket pemasangan rak. Gambar berikut menunjukkan lokasi pemasangan braket.

Gambar 2 -2. Pemasangan Braket untuk Pemasangan di Dinding



- 3** Pasang baut yang telah disediakan ke lubang pemasangan rak dan kencangkan dengan obeng.
- 4** Ulangi proses tersebut untuk braket pemasangan dinding di sisi lainnya dari perangkat.
- 5** Pasang perangkat di dinding, tempat perangkat akan dipasang.
- 6** Pada dinding, tandai lokasi tempat baut penahan perangkat harus dipersiapkan.
- 7** Pada lokasi yang telah diberi tanda, buat lubang dan pasang semua pasak (tidak disediakan) di lubang tersebut.
- 8** Kencangkan perangkat ke dinding dengan baut (tidak disediakan). Pastikan lubang ventilasi tidak terhalang.

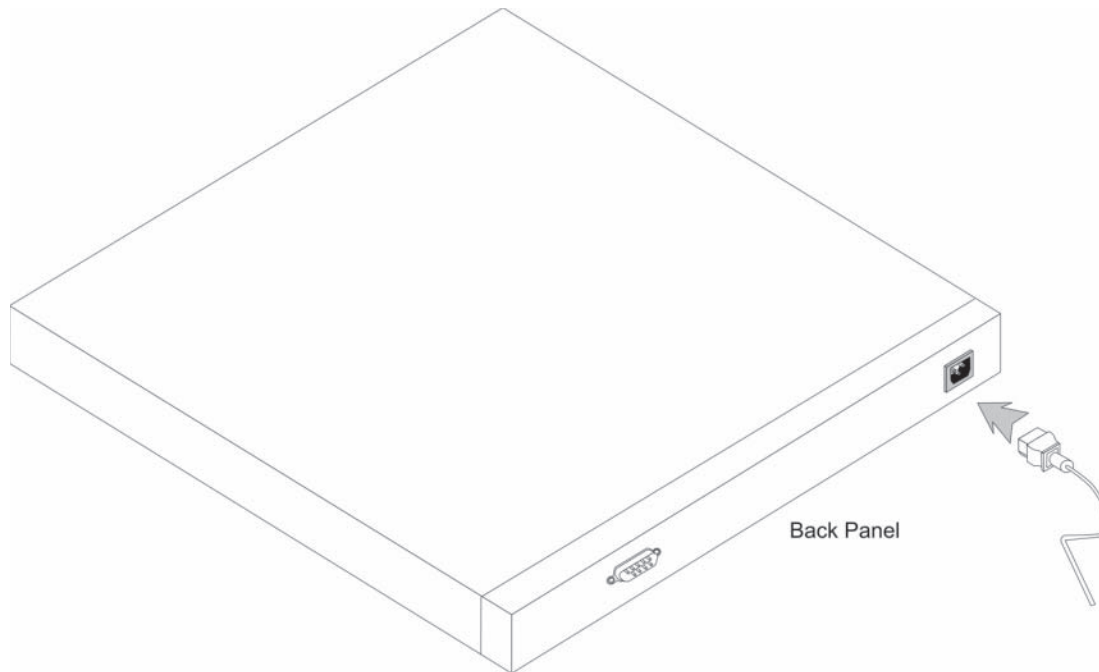
Gambar 2 -3. Pemasangan Perangkat di Dinding



Menyambungkan Perangkat ke Catu Daya

- 1** Sambungkan kabel daya AC standar yang telah disediakan ke konektor AC di panel belakang.
- 2** Jangan sambungkan dulu kabel daya ke outlet AC yang memiliki koneksi ground. Sambungkan perangkat ke sumber daya pada langkah yang diuraikan di bagian Memulai dan Mengonfigurasi Perangkat.

Gambar 2 -4. Menyambungkan ke Catu Daya



- 3** Setelah menyambungkan perangkat ke sumber daya, pastikan apakah perangkat telah tersambung dan beroperasi secara benar dengan memeriksa LED di panel depan.

Memulai dan Mengonfigurasi Perangkat


Setelah semua koneksi eksternal terpasang, lanjutkan sebagai berikut:

- Jika perangkat akan digunakan sebagai saklar tanpa pengaturan, maka tidak perlu ada koneksi terminal.
- Koneksi terminal diperlukan jika perangkat akan digunakan dalam mode dengan pengaturan.

 **CATATAN:** PowerConnect 2808 dilengkapi dengan port serial internal.

Fungsi lanjutan diuraikan di *Panduan Pengguna Dell™ PowerConnect™ 2800* yang ada di CD dokumentasi.

 **CATATAN:** Sebelum melanjutkan, baca catatan rilis untuk produk ini. Catatan rilis dapat didownload dari <http://support.dell.com>.


 **CATATAN:** Dapatkan dokumentasi pengguna edisi terakhir dari situs web dukungan Dell pada <http://support.dell.com>.


Mode Manajemen

PowerConnect 2808/16/24/48 memiliki tombol tekan Mode di panel depan. Tombol Mode akan mengubah mode, antara Managed mode (mode dengan Pengaturan) dan Unmanaged mode (mode tanpa Pengaturan), atau mengubah dari Secure mode (mode Aman) ke Managed mode (mode dengan Pengaturan). Untuk mendapatkan uraian lengkap tentang Mode Manajemen, lihat *Panduan Pengguna Dell™ PowerConnect™ 2800* yang ada di CD dokumentasi.

Menyambungkan Perangkat ke Jaringan

Untuk menyambungkan ke port uplink, gunakan kabel Unshielded Twisted-Pair (UTP) Kategori 5 dengan konektor RJ-45 di kedua ujungnya. Port RJ-45 di perangkat Ethernet mendukung pengoperasian Interface Tergantung Media (Media-Dependent Interface/MDI) otomatis/Interface Tergantung Media dengan kabel lintas silang internal (Media-Dependent Interface with internal crossover wiring/MDIX) dalam mode Auto-Negotiation. Kabel pasangan berbelit jenis lurus standar dapat digunakan untuk menyambungkan ke jaringan Ethernet lainnya (sistem, server, saklar, atau router) yang mendukung fasilitas auto-negotiation.

 **CATATAN:** Jangan pasang konektor soket telepon ke port RJ-45. Ini akan merusak perangkat Ethernet. Gunakan hanya kabel pasangan berbelit dengan konektor RJ-45 yang sesuai dengan standardisasi FCC.

 **CATATAN:** Jika fasilitas auto negotiation dinonaktifkan di port, kabel jenis lurus harus digunakan.

Untuk menyambungkan perangkat ke jaringan:

- 1 Pasang salah satu ujung kabel pasangan berbelit ke konektor RJ-45 perangkat dan ujung lainnya ke saklar atau server.
- 2 Pastikan panjang setiap kabel pasangan berbelit tidak melebihi 328 kaki (100 meter).

Ketika masing-masing koneksi terbentuk, LED link masing-masing port yang ada di perangkat akan menyala (hijau atau kuning) untuk mengindikasikan bahwa koneksi valid.

Menyambungkan Terminal ke Jaringan

Perangkat dilengkapi dengan port konsol eksternal pada model 28016/24/48. Port konsol memungkinkan koneksi terbentuk ke sistem desktop terminal yang mengoperasikan perangkat lunak emulasi terminal untuk memantau dan mengonfigurasi perangkat.


Konektor port konsol merupakan konektor DB-9 laki-laki, yang berfungsi sebagai konektor peralatan terminal data/data terminal equipment (DTE).

Untuk menggunakan port konsol, ketentuan berikut harus dipenuhi:

- Terminal yang kompatibel dengan VT100 atau desktop atau sistem portabel dengan port serial dan mengoperasikan perangkat lunak emulasi VT100.
- Kabel lintas silang RS-232 dengan konektor DB-9 perempuan untuk port konsol dan konektor yang sesuai untuk terminal.

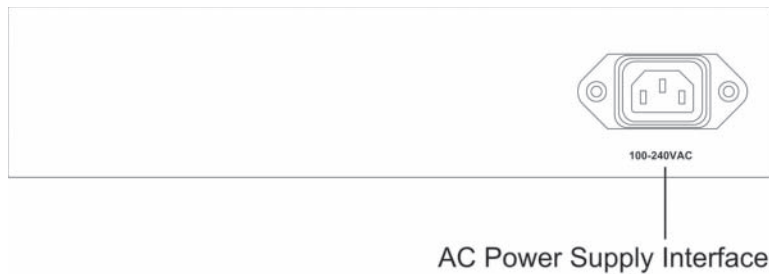
Untuk menyambungkan terminal ke port konsol perangkat, lakukan hal berikut:

- 1 Sambungkan kabel lintas silang RS-232 yang telah disediakan ke terminal yang mengoperasikan perangkat lunak emulasi terminal VT100.
- 2 Pastikan perangkat lunak emulasi terminal diatur sebagai berikut:
 - a Pilih port serial yang sesuai (port serial 1 atau port serial 2) untuk menyambungkan ke konsol.
 - b Atur kecepatan data ke 9.600 baud.
 - c Atur format data ke 8 data bits (8 bit data), 1 bit stop (1 stop bit), dan no parity (tidak ada paritas).
 - d Atur flow control (kontrol aliran) ke none (tidak satu pun).
 - e Di bagian Properties, pilih VT100 untuk Emulation mode.
 - f Pilih tombol Terminal untuk tombol Function (Fungsi), Arrow (Tanda Panah), dan Ctrl (Kontrol). Pastikan pengaturan tersebut untuk tombol Terminal (bukan untuk tombol Windows).

 **PEMBERITAHUAN:** Ketika menggunakan HyperTerminal dengan Microsoft® Windows 2000, Windows XP, atau Windows Vista, pastikan service pack yang terinstal adalah versi terakhir. Dengan Windows 2000 Service Pack 2, tombol tanda panah berfungsi dengan benar di emulasi VT100 dari HyperTerminal. Kunjungi www.microsoft.com untuk informasi tentang service pack Windows 2000, Windows XP, dan Windows Vista.

- 3 Sambungkan konektor perempuan dari kabel lintas silang RS-232 langsung ke port konsol perangkat di perangkat, dan kencangkan baut penahan. Port konsol seri PowerConnect 2800 terletak di panel belakang.

Gambar 3 -1. Menyambungkan ke Port Konsol Seri PowerConnect 2800



Melakukan Booting Perangkat - Mode dengan Pengaturan (Managed Mode)

Prosedur yang diuraikan di bagian ini mengacu ke perangkat yang diatur untuk dioperasikan sebagai saklar dengan pengaturan. The PowerConnect 2808/16/24/48 models include a built-in dual purpose Mode Button. Untuk beralih antara dengan pengaturan dan mode tanpa pengaturan, tekan Tombol Mode kurang dari tujuh detik.

Jika Anda telah mengatur perangkat untuk dioperasikan sebagai saklar dengan pengaturan, prosedur booting dapat dipantau di terminal yang tersambung sebagai berikut:


- 1 Pastikan port konsol perangkat terhubung ke perangkat terminal VT100 atau emulator terminal VT100 melalui kabel lintas silang RS-232.
- 2 Tentukan lokasi konektor daya AC.
- 3 Matikan konektor daya AC.
- 4 Sambungkan perangkat ke konektor AC.
- 5 Nyalakan konektor daya AC.


Jika daya telah diaktifkan saat terminal lokal telah tersambung, perangkat akan melalui proses Power On Self Test (POST). POST akan dijalankan setiap kali perangkat diinisialisasi dan memeriksa komponen perangkat keras untuk menentukan apakah perangkat beroperasi penuh sebelum booting berakhir. Jika masalah yang serius terdeteksi, aliran program akan berhenti. Jika POST berhasil, gambar valid yang dapat dieksekusi akan dimasukkan ke RAM. Pesan POST ditampilkan di terminal dan mengindikasikan keberhasilan atau kegagalan tes.

Proses booting berlangsung kurang dari 45 detik dalam mode tanpa pengaturan, dan sekitar 90 detik pada mode lainnya.

Konfigurasi Inisial - Mode dengan Pengaturan (Managed Mode)

Informasi dan prosedur yang diuraikan di bagian ini ditujukan untuk perangkat yang diatur sebagai saklar Mode dengan Pengaturan.

 **CATATAN:** Setelan saklar standar adalah Mode tanpa Pengaturan. Lihat Panduan Pengguna Sistem Dell™ PowerConnect™ 28xx, Bab 4, Memulai dan Mengonfigurasi Perangkat untuk uraian lengkap tentang konfigurasi perangkat.

 **CATATAN:** Konfigurasi dasar inisial menggunakan standardisasi berikut:

- Perangkat PowerConnect tidak pernah dikonfigurasi sebelumnya, dan oleh karena itu berada dalam kondisi yang sama seperti saat Anda menerimanya.
- Perangkat PowerConnect berhasil dibooting.
- Koneksi konsol terbentuk dan instruksi konsol ditampilkan di layar perangkat terminal VT100. (Tekan tombol <Enter> beberapa kali untuk memverifikasi bahwa instruksi ditampilkan dengan benar.)

Konfigurasi inisial perangkat dilakukan melalui port serial. Setelah konfigurasi inisial, kemudian perangkat dapat diatur dari port serial yang telah tersambung atau dari jarak jauh melalui interface yang telah ditentukan saat konfigurasi inisial.

Sistem meminta Anda untuk menggunakan wizard pengaturan (set-up wizard) saat perangkat dibooting untuk pertama kali atau jika file konfigurasi kosong karena perangkat belum dikonfigurasi. Setup Wizard memberikan panduan selama konfigurasi inisial perangkat, dan mengaktifkan perangkat dan mengoperasikannya secepat mungkin.

 **CATATAN:** Dapatkan informasi berikut dari administrator jaringan Anda sebelum mengonfigurasi perangkat:

- Alamat IP SNMP Community String dan SNMP Management System (opsional).
- Nama Pengguna dan Password.
- Alamat IP yang akan diberikan untuk interface VLAN 1 untuk mengatur perangkat (setelan standar, setiap port eksternal dan internal adalah bagian dari VLAN 1)
- IP subnet mask untuk jaringan
- Alamat IP dari default gateway (hop router berikutnya) untuk mengonfigurasi rute standar.

Setup Wizard akan memandu Anda selama konfigurasi inisial perangkat, dan mengaktifkan sistem dan mengoperasikannya secepat mungkin. Anda dapat tidak menggunakan wizard pengaturan dan mengonfigurasi perangkat secara manual melalui mode CLI perangkat. Lihat *Panduan Pengguna Seri PowerConnect 2800* untuk mendapatkan bantuan dalam mengonfigurasi perangkat menggunakan CLI.

Setup Wizard mengonfigurasi bagian berikut.

- Alamat IP SNMP Community String dan SNMP Management System (opsional)
- Nama pengguna dan Password
- Alamat IP perangkat
- IP subnet mask
- Alamat IP dari Default Gateway

Setup Wizard menampilkan informasi berikut:

```
Welcome to Dell Easy Setup Wizard.
```

```
The Setup Wizard guides you through the initial switch configuration, and gets you up and running as quickly as possible. You can skip the setup wizard, and enter CLI mode to manually configure the switch. The system will prompt you with a default answer; by pressing enter, you accept the default. You must respond to the next question to run the setup wizard within 60 seconds, otherwise the system will continue with normal operation using the default system configuration.
```

```
Would you like to enter the setup wizard (you must answer this question within 60 seconds)? (Y/N) [Y] Y
```

(Selamat datang di Wizard Pengaturan Mudah dari Dell.

Wizard Pengaturan akan memandu Anda selama konfigurasi inisial saklar, dan mengaktifkan sistem dan mengoperasikannya secepat mungkin. Anda dapat tidak menggunakan wizard pengaturan, dan menggunakan mode CLI untuk mengonfigurasi saklar secara manual. Sistem akan memberikan Anda jawaban standar, dengan menekan enter, Anda menerima pengaturan standar tersebut. Anda harus menjawab pertanyaan berikutnya untuk menjalankan wizard pengaturan dalam waktu 60 detik, jika tidak, sistem akan melanjutkan pengoperasian normal menggunakan konfigurasi sistem standar.

Apakah Anda ingin menjalankan wizard pengaturan (Anda harus menjawab pertanyaan ini dalam waktu 60 detik?)



CATATAN: Jika Anda memilih untuk tidak menggunakan Setup Wizard, Anda dapat mengakses interface Web dengan menggunakan alamat IP standar/mask (192.168.2.1/255.255.255.0).



CATATAN: Anda dapat keluar dari Setup Wizard kapan pun dengan menekan [Ctrl+Z].

Wizard Langkah 1

Informasi berikut muncul:

```
The system is not setup for SNMP management by default.
```

```
To manage the switch using SNMP (required for Dell Network Manager) you can:
```

```
*Setup the initial SNMP Version 2 account now
```

```
*Return later and setup additional SNMP v1/v2 accounts
```

```
For more information on setting up SNMP accounts, please see the user documentation.
```

```
Would you like to setup the SNMP management interface now? (Y/N) [Y] Y
```

(Pada pengaturan standar, sistem tidak diatur untuk manajemen SNMP. Untuk mengatur saklar menggunakan SNMP (dibutuhkan untuk Manajer Jaringan Dell), Anda dapat:

*Atur akun SNMP inisial versi 2 sekarang

*Kembali lagi nanti dan atur akun SNMP tambahan v1/v2

Untuk informasi lebih lanjut tentang cara mengatur akun SNMP, lihat dokumentasi pengguna. Apakah Anda ingin mengatur interface manajemen SNMP sekarang? (Y/N)[Y] Y)

Tekan [N] untuk langsung melanjutkan ke Langkah 2.

Tekan [Y] untuk melanjutkan Set-up wizard. Informasi berikut muncul:

```
To setup the SNMP management account you must specify the management system IP address and the "community string" or password that the particular management system uses to access the switch. The wizard automatically assigns the highest access level [Privilege Level 15] to this account.
```

```
You can use Dell Network Manager or CLI to change this setting, and to add additional management systems. For more information on adding management systems, see the user documentation.
```

```
To add a management station:
```

```
Please enter the SNMP community string to be used:  
[Dell_Network_Manager]
```

(Untuk mengatur akun manajemen SNMP, Anda harus menentukan alamat IP sistem manajemen dan "community string" atau password yang digunakan sistem manajemen tertentu untuk mengakses saklar. Wizard secara otomatis akan memberikan level akses tertinggi [Level 15 khusus] ke akun ini.

Anda dapat menggunakan Manajer Jaringan Dell untuk mengubah pengaturan ini, dan untuk menambahkan sistem manajemen tambahan. Untuk informasi lebih lanjut tentang cara menambahkan sistem manajemen, lihat dokumentasi pengguna.

Untuk menambahkan stasiun manajemen:

```
Silakan masukkan community string SNMP yang akan digunakan:  
[Dell_Network_Manager])
```

Silakan masukkan alamat IP dari Sistem Manajemen (A.B.C.D) atau wildcard(0.0.0.0) untuk melakukan pengaturan dari Stasiun Manajemen mana pun:[0.0.0.0]

Wizard Langkah 2

Informasi berikut muncul:

```
Now we need to setup your initial privilege (Level 15) user account.
```

```
This account is used to login to the CLI, Telnet and Web interface.
```

You may setup other accounts and change privilege levels later.

For more information on setting up user accounts and changing privilege levels, see the user documentation.

To setup a user account:

Enter the user name<1-20>:[admin]

Please enter the user password:*****

Please reenter the user password:*****

(Sekarang kita perlu mengatur akun pengguna khusus inisial (Level 15).

Akun ini digunakan untuk login ke CLI, Telnet, dan interface web.

Anda dapat mengatur akun lain dan mengubah level khusus di lain kesempatan.

Untuk informasi lebih lanjut tentang cara mengatur akun pengguna dan mengubah level khusus, lihat dokumentasi pengguna.

Untuk mengatur akun pengguna:

Masukkan nama pengguna<1-20>:[admin]

Masukkan password pengguna:*****

Masukkan kembali password pengguna:*****)

Wizard Langkah 3

Informasi berikut muncul:

Next, an IP address is setup.

The IP address is defined on the default VLAN, (VLAN #2). This is the IP address you use to access the Telnet, Web interface, or SNMP interface for the switch. To setup an IP address:

Please enter the IP address of the device (A.B.C.D):10.6.22.100

Please enter the IP subnet mask (A.B.C.D or nn):[255.255.255.224]

(Kemudian, alamat IP diatur.

Kemudian, alamat IP diatur. Ini adalah alamat IP yang Anda gunakan untuk mengakses Telnet, interface web, atau interface SNMP untuk saklar. Untuk mengatur alamat IP:

Masukkan alamat IP perangkat (A.B.C.D):10.6.22.100

Masukkan IP subnet mask (A.B.C.D atau nn):[255.255.255.224])

Wizard Langkah 4

Informasi berikut muncul:

Finally, setup the default gateway.

Please enter the IP address of the gateway from which this network is reachable (e.g. 192.168.1.1). Default gateway (A.B.C.D): [10.6.22.97]

(Terakhir, atur default gateway.

Masukkan alamat IP gateway agar jaringan dapat diakses dari sini (mis. 192.168.1.1). Default gateway (A.B.C.D): [10.6.22.97])

Masukkan default gateway.

Tekan Enter. Teks berikut muncul (sesuai dengan parameter contoh yang diuraikan):

This is the configuration information that has been collected:

=====

SNMP Interface = Dell_Network_Manager@0.0.0.0

User Account setup = admin

Password = *****

Management IP address = 10.6.22.100 255.255.255.224

Default Gateway is 10.6.22.97

=====

Ini adalah informasi konfigurasi yang telah dikumpulkan:

=====

=====

Interface SNMP = Dell_Network_Manager@0.0.0.0

Pengaturan Akun Pengguna = admin

Password = *****

Alamat IP manajemen = 10.6.22.100 255.255.255.224

Default Gateway adalah 10.6.22.97

=====

=====

Wizard Langkah 5

Informasi berikut muncul:

```
If the information is correct, please select (Y) to save the
configuration, and copy to the start-up configuration file. If the
information is incorrect,select (N) to discard configuration and
restart the wizard: (Y/N) [Y] Y
```

```
Configuring SNMP management interface.
```

```
Configuring user account.....
```

```
Configuring IP and subnet.....
```

```
Thank you for using Dell Easy Setup Wizard.
```

(Jika informasi tersebut benar, pilih (Y) untuk menyimpan konfigurasi, dan menyalinnya ke file konfigurasi awal. Jika informasi tersebut salah, pilih (N) untuk membuang konfigurasi dan mengulangi wizard: (Y/N)[Y] Y

Mengonfigurasi interface manajemen SNMP.

Mengonfigurasi akun pengguna.....

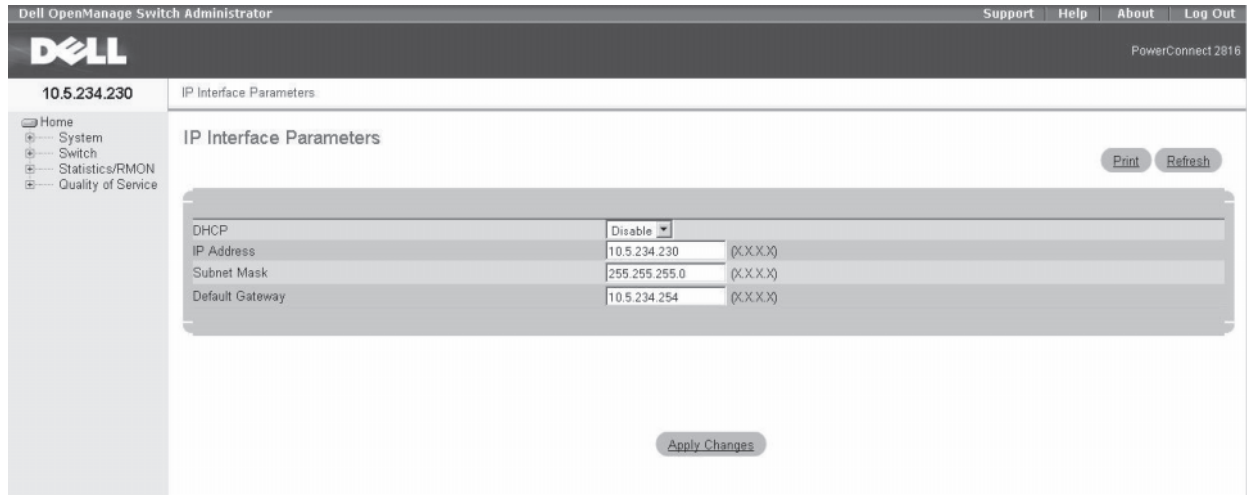
Mengonfigurasi IP dan subnet.....

Terima kasih telah menggunakan Wizard Pengaturan Mudah dari Dell.)

Konfigurasi Web

- 1 Di interface pengguna web, buka jendela System IP Address.

Gambar 3 -2. Interface Pengguna Konfigurasi Web



- 2 Masukkan IP Address, Subnet Mask, dan Default Gateway.
- 3 Klik Apply Changes. Perangkat dikonfigurasi.

Fitur Ramah Lingkungan Keluaran Terbaru: Green Ethernet

Fitur Green Ethernet menghemat pemakaian energi jaringan. Teknologi penghematan daya Green Ethernet secara otomatis akan mengurangi pemakaian daya setelah *Link Down* dan/atau *Short Reach* terdeteksi, memastikan bahwa jaringan menggunakan sedikit daya untuk setiap port dan lebih ramah lingkungan, tanpa merugikan integritas jaringan.

Mode *Energy-Detection* dan *Short-Reach* diaktifkan pada setelan standar.

Pemberitahuan Peraturan

Untuk informasi peraturan tambahan, kunjungi Laman utama Pemenuhan Peraturan pada www.dell.com di alamat berikut: www.dell.com/regulatory_compliance.

información NOM (únicamente para México)

La información siguiente se proporciona en el dispositivo o dispositivos descritos en este documento, en cumplimiento con los requisitos de la Norma oficial mexicana (NOM):

Exportador:	Dell Inc. One Dell Way Round Rock, TX 78682
Importador:	Dell México, S.A. de C.V. Paseo de la Reforma 2620 - 11° Piso Col. Lomas Altas 11950 México, D.F.
Enviar a:	Dell México, S.A. de C.V. al Cuidado de Kuehne & Nagel de México S. de R.L. Avenida Soles No. 55 Col. Peñon de los Baños 15520 México, D.F.

Dell PowerConnect™

Modelo	Voltaje de alimentación	Frecuencia	Consumo eléctrico
2808	100-240 VAC	50-60 Hz	0.75 A
2816	100-240 VAC	50-60 Hz	0.75 A
2824	100-240 VAC	50-60 Hz	1 A
2848	100-240 VAC	50-60 Hz	1.8 A

Informação sobre Órgão Regulador

A marca de certificação se aplica a este Equipamento de Rede de Dados
Para maiores consultas sobre ANATEL visite o site: www.anatel.gov.br

Dell™ PowerConnect™ 28xx 系統

使用說明指南

註、注意與警告



註：「註」表示能幫助您更好使用裝置的資訊。



注意：「注意」表示可能的硬體損壞或資料遺失，並告訴您如何避免這些問題。



警示：「警示」表示可能的財產損失、人身傷害或死亡。

本文件中的資訊如有變更，恕不另行通知。
© 2008 Dell Inc. 版權所有，翻印必究。

未經 Dell Inc. 的書面許可，不得以任何形式進行複製。

本文件中使用的商標：*Dell*、*Dell OpenManage*、*Dell* 徽標、*Inspiron*、*Dell Precision*、*Dimension*、*OptiPlex*、*PowerConnect*、*PowerApp*、*PowerVault*、*Axim*、*DellNet* 和 *Latitude* 是 Dell Inc 的商標。*Microsoft* 和 *Windows* 是 Microsoft Corporation 的商標。

本文件中使用的其他商標與商品名稱是指擁有這些標誌及名稱的公司或其產品。Dell Inc. 對不屬於自己的商標與商品名稱不擁有任何專有權益。

目錄

1	安裝	
	概觀	149
	現場準備	149
	現場要求	149
	打開包裝	150
	套件內容	150
	打開裝置的包裝	150
2	裝載裝置	
	概觀	151
	安裝	151
	設備支架安裝	152
	在平面上安裝	152
	在牆上安裝	153
	將裝置連接至電源供給設備	154
3	啓動和組態裝置	
	管理模式	157
	將裝置連接至網路	157
	將終端連接至裝置	158
	啓動裝置 - 管理模式	159
	初始組態 - 管理模式	159
	Web 組態	164
	新推出環保功能：綠色以太網路	164
	管制通告	165
	información NOM (únicamente para México)	165
	Informação sobre Órgão Regulador	165

安裝

概觀

本文件提供基本的安裝與啟動執行下列 PowerConnect 2800 系列 Web 管理 Gigabit 乙太網路交換器的資訊：

- PowerConnect 2808
- PowerConnect 2816
- PowerConnect 2824
- PowerConnect 2848

PowerConnect 2800 系列可以用於連接工作站和其它網路裝置，例如：

- 伺服器
- 集線器
- 路由器

PowerConnect 設備主要用於要求高效能邊緣連接的小型辦公室 / 家庭辦公室 (SOHO)。對於要求高效能網路連接以及進階 Web 管理的中小企業而言，這些 PowerConnect 設備是理想之選。PowerConnect 管理功能要旨是，在增強和改進網路資訊流量控制的同時，最大程度的減少管理工作。

交換器出廠時為未受管理模式。如果使用者想將交換器作為未受管理交換器使用，僅需插上交換器並開始使用。不需要組態設定。如果同一使用者想將交換器切換為受管理交換器，則必須將未受管理模式變更為受管理模式，按照 Dell® PowerConnect® 2800 系列使用者指南中的說明，可在說明文件 CD 中獲得。或者，可檢視 Dell 支援網站 www.support.dell.com 最新的說明文件和軟體更新。

現場準備

現場要求

PowerConnect 2808/16/24/48 裝置可以安裝在標準設備支架中、放置在桌面上或裝載在牆上。在安裝設備前，請確認裝置安裝位置符合以下現場要求：

- **電源要求** — 裝置安裝在距離可方便插拔電源插座 (220/110 VAC, 50/60 Hz) 約 1.5 公尺 (5 英尺) 的範圍內。如果裝置有兩個電源供應，則現場應該有兩具有不同電源線的電源插座。
- **一般要求** — 確保電源設備已正確安裝。

- **空間要求** — 正面有足夠空間以便操作員進行操作。請留出用於佈線、電源連接和通風的空間。
- **佈線要求** — 佈線應遠離電器干擾，例如無線電發送器、廣播擴音器、電線和螢光照明設備。
- **周圍環境要求** — 設備運行環境溫度範圍為攝氏 0 到 45 度 (華氏 32 到 113 度)，相對溼度最大為 95 %，非冷凝。請驗證水和溼氣無法進入裝置外殼。

打開包裝

套件內容

打開裝置包裝時，請確保包含以下項目：

- 裝置
- 交流電源線
- 自黏橡皮墊 (用於架上安裝)
- 用於安裝的支架裝載套件
- 說明文件 CD
- *產品資訊指南*

打開裝置的包裝

要打開 PowerConnect 裝置的包裝，請：



註：打開裝置的包裝前，請檢查包裝，如有損壞，請立即報告。

- 1 將包裝箱放在清潔的平面上。
- 2 打開包裝箱或取下包裝箱頂蓋。
- 3 小心的從包裝中取出裝置，並將其放置安全、穩固和清潔的表面上。
- 4 取下所有包裝材料。
- 5 檢查產品是否有損壞。如有損壞，立即報告。

裝載裝置

概觀

下列裝載說明適用於 PowerConnect 2808/16/24/48 裝置。三種裝置裝載選項：

- 在支架中安裝
- 在平面上安裝
- 在牆上安裝

安裝

 **警示：** 警示執行下列任何程序以前，請先讀取並遵循 *產品安全指南* 上的安全說明。

 **警示：** 警示執行此章節程序前，請先遵循下列要點：

- 請確保放置裝置的支架和機具足夠穩固，以防止設備不穩固和 / 或掉落。
- 請確保電源電路確定接地。
- 注意並遵照維修標記。請勿維修任何設備，除非系統說明文件另有說明。開啓或移除標有三角形雷電符號的護蓋可能會導致觸電。只有經過培訓的維修技術人員才能對這些組件進行維修。
- 請確保電源線、延長纜線和 / 或插頭未受損壞。
- 請確保裝置未被水沾濕。
- 請確保裝置未放置在散熱器和 / 或有熱源的地方。
- 請確保冷卻通風孔未被堵塞。
- 請勿將其他物品塞入裝置，否則可能會導致火災或觸電。
- 僅將裝置與許可的設備配合使用。
- 待裝置冷卻後再卸下護蓋或觸摸內部設備。
- 請確保裝置的電源電路、電纜和過電流保護未過載。要確定供電電路過載的可能性，請將與該設備安裝在同一電路中的所有設備的額定安培值相加。將總值與額定限制值比較。
- 請勿將裝置安裝在運行時環境溫度可能超過 40 ° C (104 ° F) 的環境中。
- 請確保裝置的正面、側面和背面通風良好。

設備支架安裝

 警示：請讀取產品資訊指南裡的安全資訊和其它相連或支援設備的安全資訊。

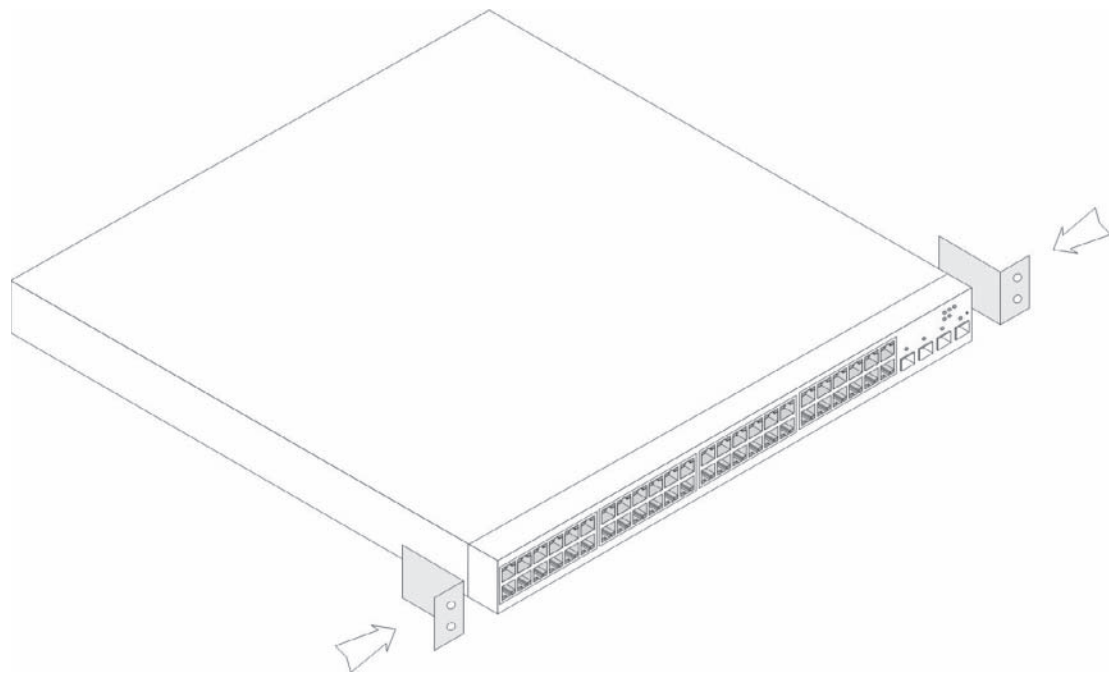
 警示：在支架或機具上裝載裝置前，請拔下設備上所有電纜的連接。

 警示：將多個設備安裝在支架中時，請依照由下而上的順序安裝設備。

請遵循以下步驟安裝裝置至支架：

- 1 將附帶的支架固定托架放在設備的一側，確保設備上的裝載孔與支架固定托架上的裝載孔對齊。下圖說明了裝載托架的位置。

圖 2-1. 用於支架裝載的托架安裝情況



- 2 將附帶的螺絲插入支架裝載孔，並用螺絲起子擰緊。
- 3 重複此過程，以安裝裝置另一側的支架固定托架。
- 4 將裝置放入支架中，確保裝置上的支架裝載孔與支架上的裝載孔對齊。
- 5 用支架螺絲 (未提供) 將設備固定到支架中。先擰緊下部的一對螺絲，然後再擰緊上部的一對螺絲。請確保設備通風孔未被堵塞。

在平面上安裝

如果裝置未安裝在支架上，則必須將其安裝在平面上。此平面必須能夠支撐裝置和裝置纜線的重量。

- 1 在機箱底部每個標記位置上黏上自黏橡皮墊 (隨裝置提供) 。
- 2 將裝置放置在平面上，在兩側各留出 2 英吋 (5.08 公分) 的空間，並在背面留出 5 英吋 (12.7 公分) 的空間。
- 3 確定設備能夠正常通風。

在牆上安裝

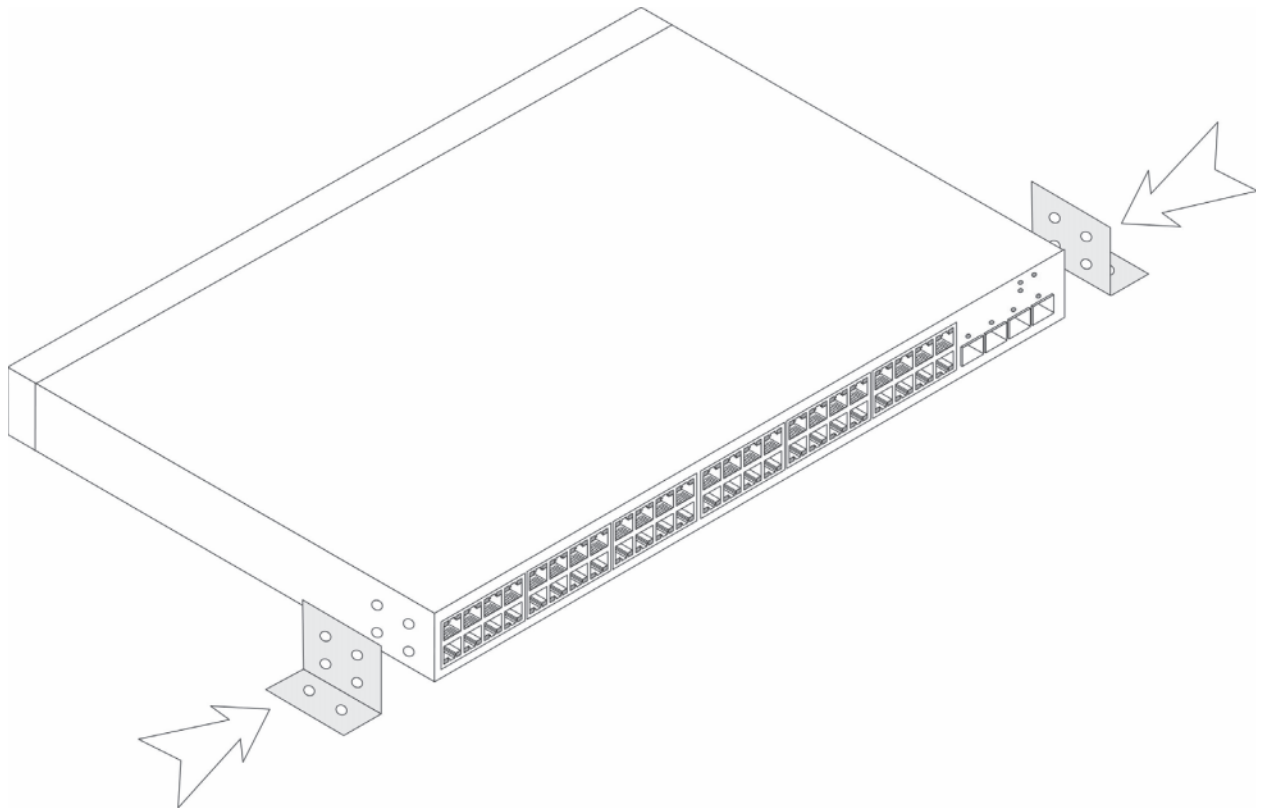
在牆上裝載裝置：

1 確保裝載位置符合下列要求：

- 牆的表面必須能夠支撐裝置。
- 至少在兩側留出 2 英寸 (5.1 公分) 的空間，以確保適當通風並在背面留出 5 吋 (12.7 公分) 的空間，放置電源線。
- 安裝的位置必須遠離直接的陽光曝曬。
- 安裝的位置必須離任何一個暖氣通風口至少 2 英尺 (61 公分)，並且沒有任何一區的暖氣通風口朝向裝置。
- 安裝位置必須通風良好，以防止熱氣聚集。
- 不要將裝置放置於任何資料或電纜線附近。
- 電源線必須能連接至電源插座。

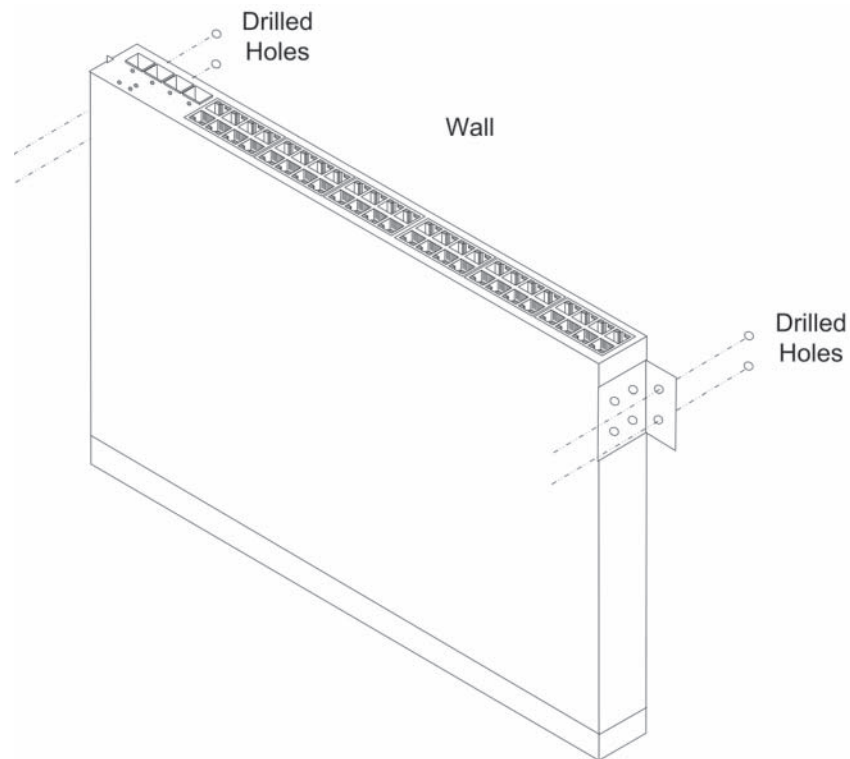
2 將附帶的牆壁固定托架放在設備的一側，確保設備上的裝載孔與支架固定托架上的裝載孔對齊。下圖說明了裝載托架的位置。

圖 2-2. 用於牆上裝載的托架安裝情況



- 3 將附帶的螺絲插入支架裝載孔，並用螺絲起子擰緊。
- 4 重複此過程，以安裝裝置另一側的牆壁固定托架。
- 5 將裝置放在牆上打算安裝設備的位置。
- 6 在牆上標記出固定設備而必須準備的螺絲的位置。
- 7 在標記的位置鑽孔並將所有插頭 (未提供) 放入孔中。
- 8 用螺絲 (未提供) 將裝置固定到牆上。請確保通風孔未被堵塞。

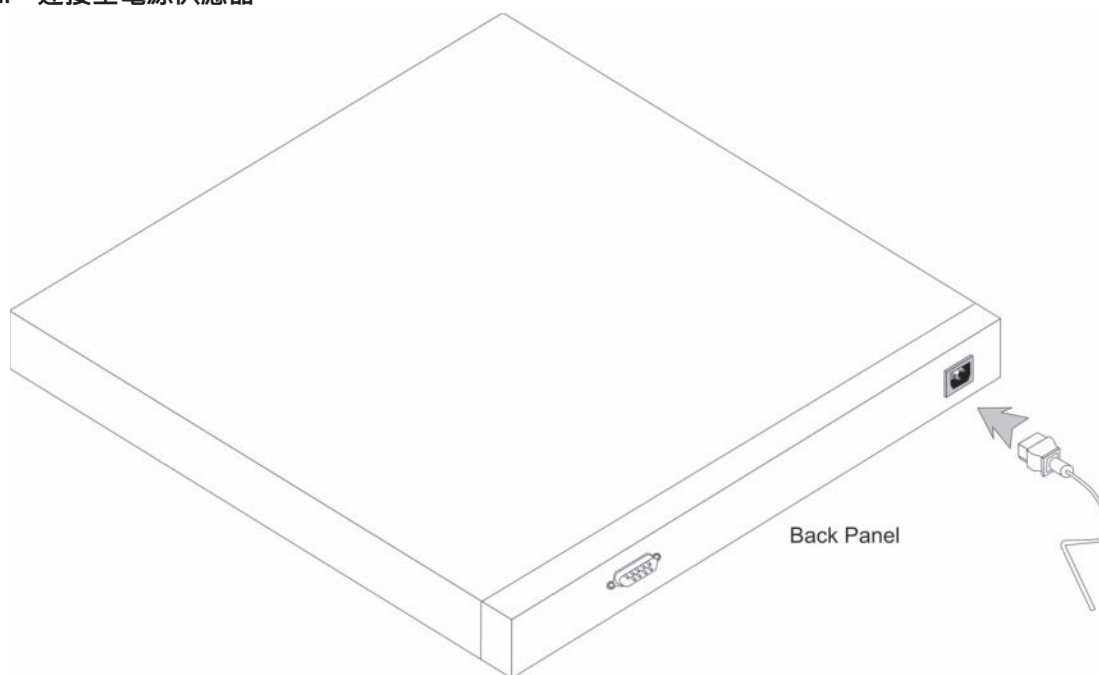
圖 2-3. 將裝置安裝在牆上



將裝置連接至電源供給設備

- 1 將附帶的標準交流電源線連接至位於背面板上的交流連接器。
- 2 此時不要連接電源線到接地的交流電源插座。依照啓動和組態裝置所詳載的步驟，將裝置連接至電源。

圖 2-4. 連接至電源供應器



- 3 將裝置連接至電源後，請通過檢查前面板上的 LED 來確定設備已正確連接並且運行正常。


啓動和組態裝置

在完成所有外部連接後，請繼續以下步驟：

- 如果此裝置將作未受管理交換器使用，則不需要終端連線。
- 如果此交換器將以受管理模式運作，則需要終端連線。

 **註：**PowerConnect 2808 含有內部序列埠。

進階功能詳載於說明文件 CD 裡的 *Dell® PowerConnect® 2800 使用者指南*。

 **註：**繼續操作以前，請先閱讀該產品的版本資訊。您也可以從 <http://support.dell.com> 下載版本資訊。


 **註：**建議您從 Dell 支援網站 <http://support.dell.com> 下載最新版本的使用者說明文件。

管理模式

PowerConnect 2808/16/24/48 的前面板上有模式按鈕。模式按鈕變更受管理和未受管理模式，或變更安全和受管理模式。完整的管理模式說明，請參閱說明文件 CD 裡的 *Dell™ PowerConnect™ 2800 使用者指南*。

將裝置連接至網路

要連接至上行埠，請使用兩端均帶有 RJ-45 連接器的第 5 類無屏蔽對絞線 (UTP) 纜線。乙太網路交換器上的 RJ-45 連接埠支援自動協調模式下的自動介質相關接口或帶有內部絞接電纜的介質相關接口 (MDI/MDIX) 的運行。標準的直通雙絞線纜線可以用來連接其他任何支援自動協調的乙太網路 (系統、伺服器、交換器或路由器)。

 **註：**請勿將電話插孔連接器插入 RJ-45 連接埠。否則將損害乙太網路設備。請僅使用符合 FCC 標準帶有 RJ-45 連接器的雙絞線電纜。

 **註：**如果連接埠上的自動協調功能關閉，則必須使用直通電纜。

將裝置連接至網路：

- 1 將雙絞線電纜的一端連接至裝置的 RJ-45 連接器，將另一端連接至交換器或伺服器。
- 2 確保每根雙絞線電纜的長度不超過 328 英尺 (100 公尺)。

完成所有連接之後，裝置上每個連接埠對應的連結 LED 指示燈將亮起 (綠色或琥珀色)，表示有效連接。

將終端連接至裝置

此裝置在機型 28016/24/48 中提供外接式主控台連接埠。主控台連接埠啟動對終端桌面系統的連線。此系統執行終端模擬軟體來監控和組態裝置。

主控台連接埠連接器是一個雄性 DB-9 連接器，作為資料終端設備 (DTE) 連接器。

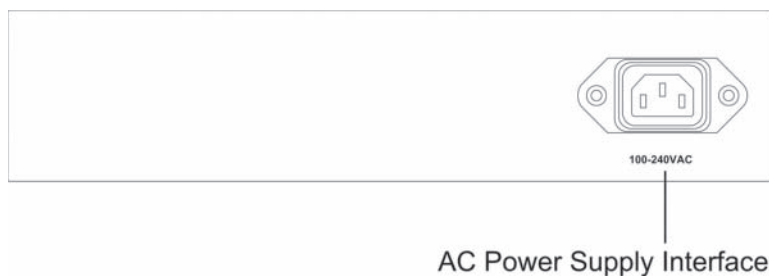
使用主控台連接埠，須符合下列要求：

- VT100 相容終端，或者帶有序列埠和執行 VT100 終端模擬軟體的桌上型或可攜式系統。
- 一個帶有雌性 DB-9 連接器的 RS-232 交叉纜線，用於連接終端主控台連接埠和適當的連接器。

連接終端設備至主控台連接埠，執行下列步驟：

- 1 連接附帶的 RS-232 交叉纜線至執行 VT100 終端模擬軟體的終端。
 - 2 確保終端模擬軟體設定如下：
 - a 選取適當的序列埠 (序列埠 1 或序列埠 2) 連接至主控台。
 - b 設定資料速率為 9600 傳輸速率。
 - c 設定資料格式為 8 資料位元、1 停止位元和無同位檢查。
 - d 設定流量控制為無。
 - e 在內容下，選取 VT100 作為模擬模式。
 - f 選取功能、箭頭和 Ctrl 鍵作為終端按鍵。確認此為終端按鍵之設定 (而非 Windows 按鍵)。
- ➔ **注意：**使用 Microsoft? Windows 2000、Windows XP 或者 Windows Vista 的超級終端時，請先確認您已安裝最新版的服務包。使用 Windows 2000 服務包 2，超級終端 VT100 模擬的箭頭按鍵能適當運行。請至 www.microsoft.com 獲取 Windows 2000、Windows XP 和 Windows Vista 服務包的資訊。
- 3 直接連接 RS-232 交叉纜線的雌性連接器至裝置上的主控台連接埠，並鎖緊受控固定螺絲。PowerConnect 2800 系列的主控台連接埠位於背面板。

圖 3-1. 連接至 PowerConnect 2800 系列主控台連接埠



啓動裝置 - 管理模式

本章節所說明的程序適用於設定此裝置為受管理交換器使用。PowerConnect 2808/16/24/48 機型包括內建雙用途模式按鈕。切換受管理與未受管理模式，請按模式按鈕至多七秒鐘。

一旦裝置設定以受管理交換器運行，啓動程序可由所連接的終端來監測，如下：


- 1 請確認裝置主控台連接埠已透過 RS-232 交叉纜線連接至 VT100 終端裝置或 VT100 終端模擬器。
- 2 確定交流電源插座位置。
- 3 停用交流電源插座。
- 4 連接裝置至交流插座。
- 5 啓動交流電源插座。

當電源開啓且本地終端已連接，裝置即進入開機自我測試 (POST)。每次裝置初始化時，POST 開始執行並檢查硬體元件，來確定裝置是否在完成啓動前已完全運作。如果偵測到關鍵問題，程式流量會停止。如果 POST 成功地完成，有效的可執行檔影像會載入 RAM。POST 訊息會顯示在終端，以表示測試成功與否。

在未受管理模式下，啓動程序執行少於 45 秒；在其他模式下，則需約 90 秒。

初始組態 - 管理模式

本章節所說明的資訊和程序適用於設定裝置為受管理模式交換器使用。

 **註：**交換器出廠時為未受管理模式。請參閱 Dell? PowerConnect? 28xx 系統使用者指南，第四章啓動和組態裝置，以獲取裝置組態的完整說明。

 **註：**初始簡易組態使用下列假設：

- PowerConnect 裝置從未進行組態，且狀態保持與您取得此裝置時一樣。
- PowerConnect 裝置成功地啓動。
- 主控台連線已建立且主控台提示顯示在 VT100 終端裝置螢幕上。(多次按下 <Enter> 按鍵以確定提示顯示正確。)

初始裝置組態是藉由序列埠完成。初始組態後，裝置可以從已連接的序列埠管理，或在初始組態過程中透過定義的介面從遠端管理。

當系統首次啓動，或組態檔案因裝置未經組態而空置，系統將提示您使用安裝精靈。安裝精靈在初始裝置組態過程中提供指引，並促使裝置盡可能得執行快速。

 **註：**在組態裝置前，請從您的網路管理員獲得下列資訊：

- SNMP 社群字串和 SNMP 管理系統 IP 位址 (可選)。
- 用戶名稱和密碼。
- 藉由所使用的裝置，指定給 VLAN 1 介面的 IP 位址 (每個外接和內建連接埠已預設為 VLAN 1 的成員)
- 網路 IP 子網路遮罩
- 預設閘道 (下一個跳躍路由器) IP 位址組態預設路徑。

安裝精靈在初始裝置組態過程中提供您指引，並促使系統盡可能得執行快速。您可以跳過安裝精靈，而透過裝置 CLI 模式來手動組態裝置。使用 CLI 組態裝置時，可參閱 *PowerConnect 2800 系列使用者指南* 以協助。

安裝精靈組態下列欄位。

- SNMP 社群字串和 SNMP 管理系統 IP 位址 (可選)
- 用戶名稱和密碼
- 裝置 IP 位址
- IP 子網路遮罩
- 預設閘道 IP 位址

安裝精靈顯示下列資訊：

```
Welcome to Dell Easy Setup Wizard.
```

```
The Setup Wizard guides you through the initial switch configuration,
and gets you up and running as quickly as possible. You can skip the
setup wizard, and enter CLI mode to manually configure the switch.
The system will prompt you with a default answer; by pressing enter,
you accept the default. You must respond to the next question to run
the setup wizard within 60 seconds, otherwise the system will
continue with normal operation using the default system
configuration.
```

```
Would you like to enter the setup wizard (you must answer this
question within 60 seconds)? (Y/N) [Y] Y
```

(歡迎至 Dell 簡易安裝精靈。)

安裝精靈在初始交換器組態過程中提供您指引，並促使裝置盡可能得執行快速。您可以跳過安裝精靈，進入 CLI 模式，手動組態交換器。系統將會提示您預設答案；按下輸入鍵表示您接受預設值。您必須在六十秒內回應下一個問題來執行安裝精靈，否則系統將會使用預設系統組態繼續正常操作。

您想進入安裝精靈嗎 (您必須在六十秒內回答此問題) ? (Y/N) [Y] Y



註：如果您選取不要使用安裝精靈，您可以藉由預設 IP 位址 / 遮罩 (192.168.2.1/255.255.255.0) 來存取 Web 介面。



註：您可以在任何時候輸入 [Ctrl+Z] 來結束安裝精靈。

精靈步驟 1

顯示下列資訊：

```
The system is not setup for SNMP management by default.
```

```
To manage the switch using SNMP (required for Dell Network Manager)
you can:
```

*Setup the initial SNMP Version 2 account now

*Return later and setup additional SNMP v1/v2 accounts

For more information on setting up SNMP accounts, please see the user documentation.

Would you like to setup the SNMP management interface now? (Y/N) [Y] Y

(此系統非預設為 SNMP 管理。)

為使用 SNMP (Dell 網路管理員必備) 管理交換器您可以：

* 現在設定初始 SNMP 版本 2 帳戶

* 稍後回來設定其他 SNMP v1/v2 帳戶

更多設定 SNMP 帳戶的資訊，請參閱使用者說明文件。

您想要現在設定 SNMP 管理介面嗎？(Y/N)[Y] Y)

輸入 [N] 跳到步驟 2。

輸入 [Y] 繼續安裝精靈。顯示下列資訊：

To setup the SNMP management account you must specify the management system IP address and the "community string" or password that the particular management system uses to access the switch. The wizard automatically assigns the highest access level [Privilege Level 15] to this account.

You can use Dell Network Manager or CLI to change this setting, and to add additional management systems. For more information on adding management systems, see the user documentation.

To add a management station:

Please enter the SNMP community string to be used:

[Dell_Network_Manager]

(為設定 SNMP 管理帳戶，您必須指定管理系統 IP 位址和「社群字串」或管理系統專用來存取交換器的密碼。精靈自動為此帳戶指定最高的存取層級 [權限層級 15]。)

您可以使用 Dell 網路管理員或 CLI 來變更此設定，並新增其他管理系統。更多新增管理系統的資訊，請參閱使用者說明文件。

新增管理站：

請輸入 SNMP 社群字串以供使用：[Dell_Network_Manager])

請輸入管理系統 (A.B.C.D) 的 IP 位址或萬用字元 (0.0.0.0)，從任一管理站來管理：[0.0.0.0]

精靈步驟 2

顯示下列資訊：

```
Now we need to setup your initial privilege (Level 15) user account.  
This account is used to login to the CLI, Telnet and Web interface.  
You may setup other accounts and change privilege levels later.  
For more information on setting up user accounts and changing  
privilege levels, see the user documentation.
```

To setup a user account:

```
Enter the user name<1-20>:[admin]
```

```
Please enter the user password:*****
```

```
Please reenter the user password:*****
```

(現在我們需要設定您的初始權限 (層級 15) 使用者帳戶。

此帳戶是用來登入 CLI、Telnet 和 Web 介面。

您之後可設定其它帳戶和變更權限層級。

更多使用者帳戶設定和變更權限層級資訊，請參閱用戶說明文件。

設定使用者帳戶：

```
輸入使用者名稱 <1-20> : [admin]
```

```
請輸入使用者密碼：*****
```

```
請重新輸入使用者密碼：*****)
```

精靈步驟 3

顯示下列資訊：

```
Next, an IP address is setup.
```

```
The IP address is defined on the default VLAN, (VLAN #2). This is the  
IP address you use to access the Telnet, Web interface, or SNMP  
interface for the switch. To setup an IP address:
```

```
Please enter the IP address of the device (A.B.C.D):10.6.22.100
```

```
Please enter the IP subnet mask (A.B.C.D or nn):[255.255.255.224]
```

(下一步，設定 IP 位址。

IP 位址定義為預設 VLAN，(VLAN #2)。這 IP 位址是您為交換器用來存取 Telnet、Web 介面或 SNMP 介面。設定 IP 位址：

請輸入裝置 (A.B.C.D) 的 IP 位址：10.6.22.100

請輸入 IP 子網路遮罩 (A.B.C.D or nm)：[255.255.255.224]

精靈步驟 4

顯示下列資訊：

```
Finally, setup the default gateway.
```

```
Please enter the IP address of the gateway from which this network is
reachable(e.g. 192.168.1.1).Default gateway (A.B.C.D):[10.6.22.97]
```

(最後，設定預設閘道。

請輸入此網路可到達的閘道 IP 位址 (例如 192.168.1.1)。預設閘道 (A.B.C.D)：[10.6.22.97])

輸入預設閘道。

按下輸入。下列 (以每範例參數說明) 顯示：

```
This is the configuration information that has been collected:
(這是已收集的組態資訊：)
```

```
=====
```

```
SNMP Interface = Dell_Network_Manager@0.0.0.0
```

```
(SNMP 介面 = Dell_Network_Manager@0.0.0.0)
```

```
User Account setup = admin (使用者帳戶設定 = admin)
```

```
Password = ***** (密碼 = *****)
```

```
Management IP address = 10.6.22.100 255.255.255.224
```

```
(管理 IP 位址 = 10.6.22.100 255.255.255.224)
```

```
Default Gateway is 10.6.22.97 (預設閘道 10.6.22.97)
```

```
=====
```

精靈步驟 5

顯示下列資訊：

```
If the information is correct, please select (Y) to save the
configuration, and copy to the start-up configuration file. If the
information is incorrect,select (N) to discard configuration and
restart the wizard: (Y/N)[Y] Y
```

```
Configuring SNMP management interface.
```

```
Configuring user account.....
```

```
Configuring IP and subnet.....
```

```
Thank you for using Dell Easy Setup Wizard.
```

(如果資訊正確，請選取 (Y) 儲存組態，並且複製啓始組態檔案。如果資訊不正確，請選取 (N) 刪除組態並重新啓動精靈：(Y/N) [Y] Y

組態 SNMP 管理介面。

組態使用者帳戶

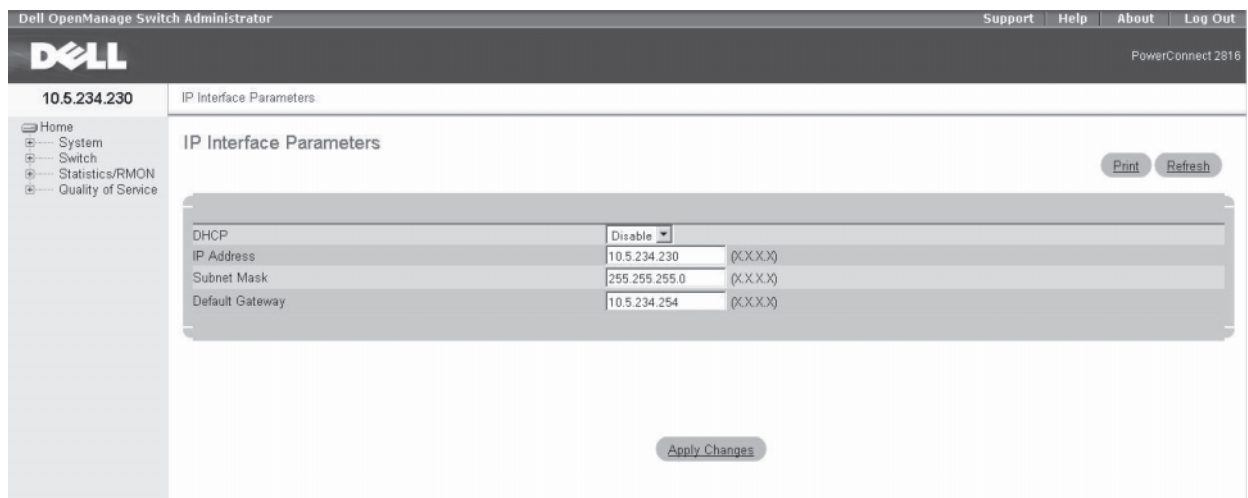
組態 IP 和子網路

感謝您使用 Dell 簡易安裝精靈。)

Web 組態

- 1 在 Web 使用者介面中，打開系統 IP 位址視窗。

圖 3-2. Web 組態使用者介面



- 2 輸入 IP 位址、子網路遮罩和預設閘道。
- 3 單按應用變更。裝置組態完成。

新推出環保功能：綠色乙太網路

綠色乙太網路的特性是改善網路能源的消耗。綠色乙太網路省電技術自動減少電源消耗，根據偵測 *Link Down* 和 / 或 *Short Reach*，來確保每個連接埠在未喪失網路完整性之下，使用較少的能源，並且更加環保。

能源- 偵測和 *Short-Reach* 模式可藉由預設來啓用。

管制通告

關於其他管制資訊，請參閱在以下網址上的 www.Dell.com：www.Dell.com/regulatory_compliance。

informaci?n NOM (?nicamente para M?xico)

La informaci?n siguiente se proporciona en el dispositivo o dispositivos descritos en este documento, en cumplimiento con los requisitos de la Norma oficial mexicana (NOM):

Exportador:	Dell Inc. One Dell Way Round Rock, TX 78682
Importador:	Dell M?xico, S.A. de C.V. Paseo de la Reforma 2620 - 11 ^o Piso Col. Lomas Altas 11950 M?xico, D.F.
Enviar a:	Dell M?xico, S.A. de C.V. al Cuidado de Kuehne & Nagel de M?xico S. de R.L. Avenida Soles No. 55 Col. Pe?on de los Ba?os 15520 M?xico, D.F.

Dell PowerConnect?

Modelo	Voltaje de alimentacion	Frecuencia	Consumo el?ctrico
2808	100-240 VAC	50-60 Hz	0.75 A
2816	100-240 VAC	50-60 Hz	0.75 A
2824	100-240 VAC	50-60 Hz	1 A
2848	100-240 VAC	50-60 Hz	1.8 A

Informa??o sobre ?rg?o Regulador

A marca de certifica??o se aplica a este Equipamento de Rede de Dados
Para maiores consultas sobre ANATEL visite o site: www.anatel.gov.br

Dell™ PowerConnect™ 28xx 系统

使用入门指南

注、小心和警告



注表示可以帮助您更好地使用设备的重要信息。



小心：小心表示可能会损坏硬件或导致数据丢失，并告诉您如何避免此类问题。



警告：警告表示潜在的财产损失、人身伤害或死亡。

本说明文件中的信息如有更改，恕不另行通知。
© 2008 Dell Inc. 保留所有权利。

未经 Dell Inc. 书面许可，严禁以任何方式进行复制。

本文件中使用的商标：*Dell*、*Dell OpenManage*、*DELL* 徽标、*Inspiron*、*Dell Precision*、*Dimension*、*OptiPlex*、*PowerConnect*、*PowerApp*、*PowerVault*、*Axim*、*DellNet* 和 *Latitude* 是 Dell Inc. 的商标。*Microsoft* 和 *Windows* 是 Microsoft Corporation 的注册商标。

本说明文件中提及的其它商标和商品名称是指拥有相应标记和名称的公司或其制造的产品。Dell Inc. 对不属于自己的商标和商品名称不拥有任何专有权益。

2008 年 11 月 部件号 G536K 修订版 A02

目录

1 安装	
概览	171
场所准备	171
场地要求	171
拆包	172
装箱单	172
拆封设备	172
2 安装设备	
概览	173
安装预防措施	173
设备机架安装	174
安装到平面上	175
安装在墙壁上	175
将设备连接到电源	177
3 启动和配置设备	
管理模式	179
将设备连接到网络	179
连接终端至设备	180
引导设备 - 网管模式	180
初始配置 - 网管模式	181
Web 配置	186
新增加的环保型功能：绿色以太网	186
管制通告	187
información NOM (únicamente para México)	187
Informação sobre Órgão Regulador	187

安装

概览

本文档提供了安装和开始运行以下 PowerConnect 2800 系列网管千兆位以太网交换机的基本信息：

- PowerConnect 2808
- PowerConnect 2816
- PowerConnect 2824
- PowerConnect 2848

PowerConnect 2800 系列可用于连接工作站和其它网络设备，例如：

- 服务器
- 集线器
- 路由器

PowerConnect 设备主要用于要求超高连接性的小型办公室 / 家庭办公室 (SOHO)。对于需要高性能网络连接及高级 Web 管理功能的中小型企业，这些 PowerConnect 设备是理想的选择。

PowerConnect 管理功能的设计是为了最大限度地降低行政管理需求，同时增强和提高网络通信量的控制能力。

交换机的出厂设置为非网管模式。如果用户希望将交换机用作非网管式交换机，他们只需插入交换机即可开始使用。无需进行任何配置。若同一用户希望将交换机用作网管式交换机，则需要将非网管模式更改为网管模式，如 Dell™ PowerConnect™ 2800 系列用户指南中所述，该指南可在说明文件光盘中找到。也可以访问 Dell 支持 Web 站点 www.support.dell.com 以获取最新的说明文件和软件更新。

场所准备

场地要求

PowerConnect 2808/16/24/48 设备可以安装在标准的设备机架中、放在桌面上或安装在墙壁上。

在安装该设备前，请检查为设备选择的场地是否满足以下场地要求：

- 电源 — 该设备应安装在距离容易够到的接地电源插座（220/110 VAC，50/60 Hz）1.5 米（5 英尺）范围内。
- 一般要求 — 确保电源已正确安装。
- 空隙 — 前面有方便操作员的足够空隙。留有布线、电源连接和通风的空隙。

- 布线 — 布线路径应避免电子噪声源，如无线电发射器、广播放大器、电源线路和荧光照明装置。
- 环境要求 — 设备的操作环境温度应在 0 到 45 ° (32 至 113 °) 范围内，相对湿度最高为 95%，非冷凝。确保水或湿气不会进入设备包装箱。

拆包

装箱单

拆封设备时，确保包括下列物品：

- 设备
- 交流电源电缆
- 自粘胶垫（用于机架式安装）
- 用于安装的机架固定套件
- 说明文件光盘
- *产品信息指南*

拆封设备

要拆封 PowerConnect 设备：



拆封设备之前，检查封装，并且报告任何损坏迹象。

- 1 将包装箱置于干净的平面上。
- 2 打开包装箱或将箱顶部材料取出。
- 3 从包装中小心地取出设备，并将其放在安全、稳定且干净的表面上。
- 4 除去所有包装材料。
- 5 检查产品有无损坏。如有任何损坏，请立即报告。

安装设备


概览

以下安装说明适用于 PowerConnect 2808/16/24/48 设备。有三种设备安装方法：

- 安装在机架中
- 安装到平面上
- 安装在墙壁上

安装预防措施

 警告：小心 在执行以下任何步骤之前，请阅读并遵循 *产品信息指南* 中的安全说明。

 警告：小心 在执行本部分的步骤之前，请注意以下几点：

- 确保安装设备的机架或机柜已固定牢固，以防止设备不稳定和 / 或掉落。
- 确保电源电路已正确接地。
- 观察并遵循服务标记。除系统说明文件介绍的设备外，请勿对任何设备进行维修。打开或卸下带三角形闪电符号的盖板可能会遭受电击。这些组件只能由经过培训的维修技术人员进行维修。
- 确保电源电缆、延长电缆和 / 或插头完好无损。
- 确保设备没有沾水。
- 确保设备远离辐射体和 / 或热源。
- 确保冷却通风孔未阻塞。
- 请勿将外部物体放入设备，因为这可能导致火灾或电击。
- 仅将本设备与经过批准的设备一起使用。
- 卸下盖板或接触内部设备前，先让设备冷却。
- 确保设备的电源线路、配线和过电流保护没有过载。为确定电源线路过载的可能性，请将安装在同一线路中的所有设备的电流额定值加起来，作为设备。然后将这个总电流值与线路的额定值限制相比较。
- 请勿将设备安装在操作环境温度可能超过 40 ° (104 °) 的环境中。
- 确保设备前后左右通风良好。

设备机架安装

 警告：阅读产品信息指南中的安全信息，以及连接到该设备或支持该设备的其它设备的安全信息。

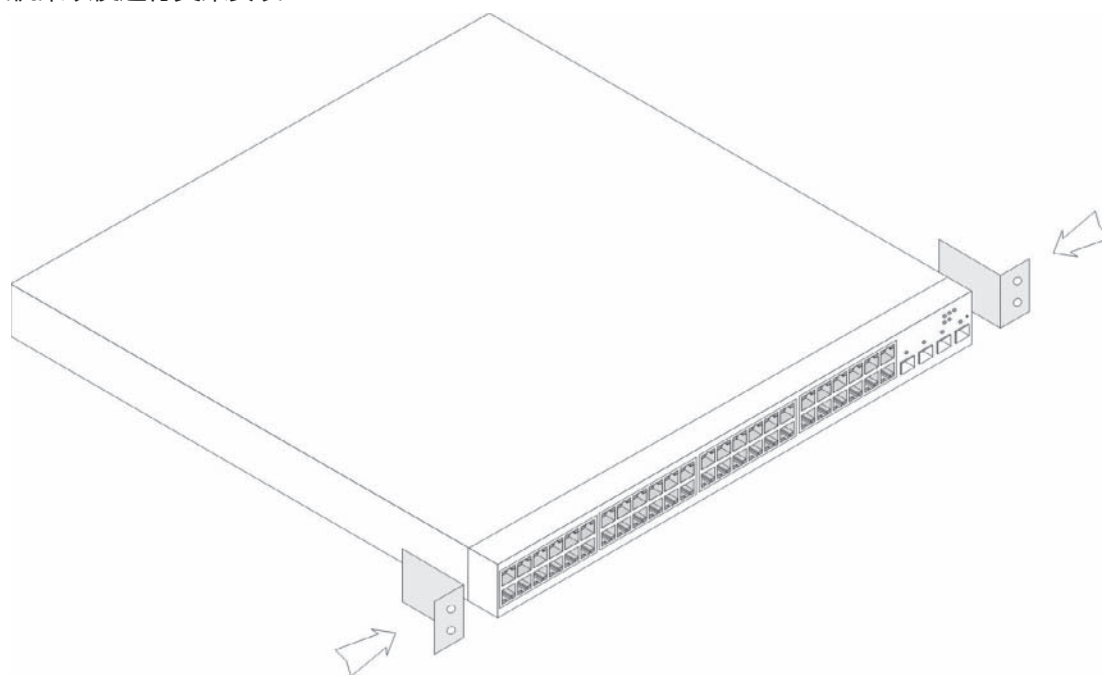
 警告：先断开设备连接的所有电缆，然后将设备安装在机架或机柜上。

 警告：将多个设备安装到机架中时，请自下而上安装设备。

按照以下步骤在机架上安装设备：

- 1 将附带的机架固定支架放在设备的一侧，确保设备上的机架固定孔与机架固定支架上的固定孔对齐。下图说明了安装支架的位置。

图 2-1. 安装机架以便进行支架安装



- 2 将附带的螺钉插入机架固定孔并用螺丝刀拧紧。
- 3 对设备另一侧的机架固定支架重复该步骤。
- 4 将设备插入机架，确保设备上的机架固定孔与机架上的固定孔对齐。
- 5 用机架螺钉（未提供）将设备固定到机架上。首先拧紧下面一对螺钉，然后拧紧上面一对螺钉。确保未阻塞通风孔。

安装到平面上

如果不将设备安装到机架上，则必须将其安装到平坦表面上。该表面必须能够支持设备和设备电缆的重量。

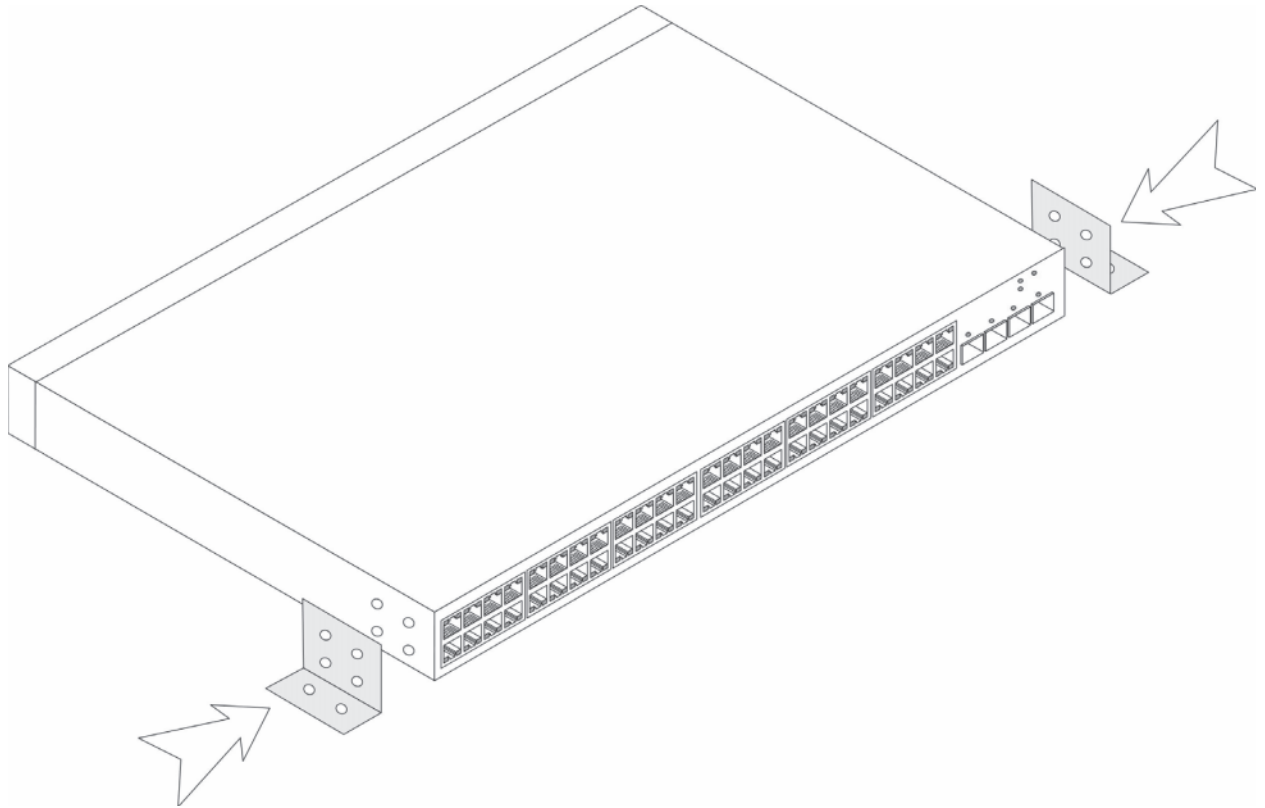
- 1 在机箱底部的每个标记位置贴上自粘胶垫（随设备提供）。
- 2 将设备放在平面上，同时在设备两侧留出 2 英寸（5.08 厘米）的空隙，在后面留出 5 英寸（12.7 厘米）的空隙。
- 3 确保设备通风良好。

安装在墙壁上

要将设备安装到墙壁上：

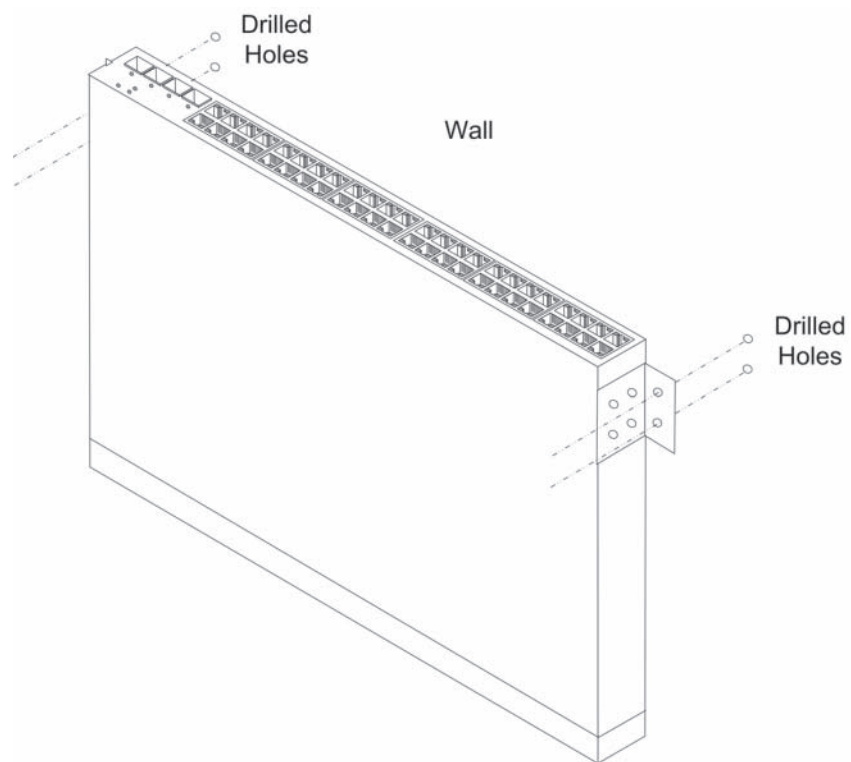
- 1 确保安装位置满足下列要求：
 - 墙面必须能够支持设备的重量。
 - 在设备两侧留出至少 2 英寸（5.1 厘米）的空隙以保证通风良好，同时在设备后面留出 5 英寸（12.7 厘米）以用作电源电缆空隙。
 - 所处位置不能受阳光直射。
 - 所处位置必须距离热风口至少 2 英尺（61 厘米）以上，而且不能有区域热风口指向设备。
 - 所处位置必须通风以防止热量堆积。
 - 请勿将设备放在任何数据线或电缆线附近。
 - 电源电缆必须能够够到电源插座。
- 2 将附带的墙壁固定支架放在设备的一侧，确保设备上的固定孔与机架固定支架上的固定孔对齐。下图说明安装支架的位置。

图 2-2. 安装机架以便进行墙壁安装



- 3 将附带的螺钉插入机架固定孔并用螺丝刀拧紧。
- 4 对设备另一侧的墙壁固定支架重复该步骤。
- 5 将设备置于墙壁上安装设备的位置。
- 6 在墙壁上标记必须准备设备固定螺钉的位置。
- 7 在标记的位置钻孔，然后将所有插头（未提供）放入孔内。
- 8 用螺钉（未提供）将设备固定到墙壁上。确保未阻塞通风孔。

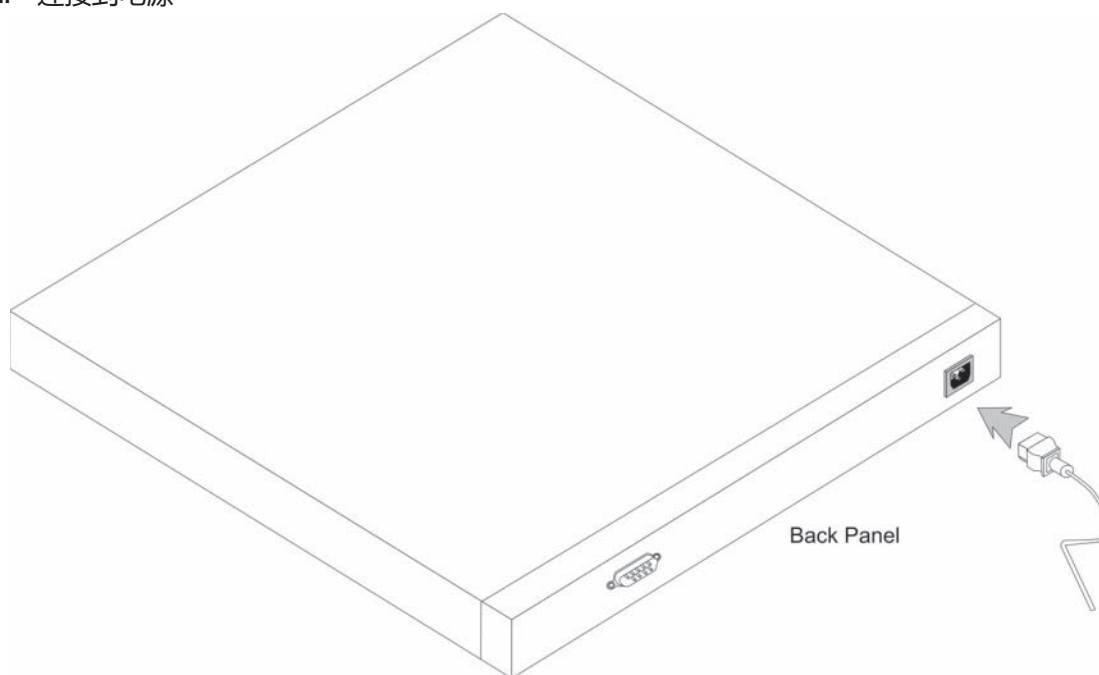
图 2-3. 在墙壁上安装设备



将设备连接到电源

- 1 将附带的标准交流电源电缆连接到背面板上的交流电源连接器。
- 2 此时，请勿连接电源电缆至接地交流电源插座。按“启动和配置设备”中详细介绍的步骤，将设备连接到电源。

图 2-4. 连接到电源



- 3 将设备连接到电源后，通过前面板上的 LED 指示灯确认设备已连接并运行正常。

启动和配置设备

完成所有外部连接后，继续进行以下操作：

- 如果设备要用作非网管式交换机，则无需进行终端连接。
- 如果设备要在网管模式下使用，则必须进行终端连接。

 PowerConnect 2808 具有内部串行端口。

说明文件光盘上的 *Dell™ PowerConnect™ 2800 用户指南* 介绍了高级功能。

 继续之前，请阅读本产品的发布注释。发布注释可从 <http://support.dell.com> 下载。

 建议从 Dell 支持 Web 站点 <http://support.dell.com> 获取用户说明文件的最新修订版本。

管理模式

PowerConnect 2808/16/24/48 的前面板上有一个模式按钮。用模式按钮可以切换网管模式和非网管模式，或从安全模式更改为网管模式。有关管理模式的完整说明，请参阅说明文件光盘上的 *Dell™ PowerConnect™ 2800* ” 用户指南。

将设备连接到网络

要连接到上行链路端口，可使用两端带有 RJ-45 接头的第 5 类非屏蔽双绞线 (UTP) 电缆。以太网设备上的 RJ-45 端口支持自动协议模式下的自动介质相关接口 / 带有内部交叉配线的介质相关接口 (MDI/MDIX) 操作。标准直通双绞线电缆可用于连接到其它支持自动协议的以太网网络 (系统、服务器、交换机或路由器)。

 请勿将电话插孔连接器插入 RJ-45 端口。这样会损坏以太网设备。仅使用符合 FCC 标准并带有 RJ-45 连接器的双绞线电缆。

 如果端口上关闭了自动协议，则必须使用直通电缆。

要将设备连接到网络：

- 1 将双绞线电缆的一端连接到设备的 RJ-45 连接器，然后将另一端连接到交换机或服务器。
- 2 确保每条双绞线电缆的长度不超过 328 英尺 (100 米)。

完成所有连接后，设备上每个端口所对应的链接 LED 指示灯会点亮 (绿色或琥珀色)，以表示连接是否正常。

连接终端至设备

型号为 28016/24/48 的设备提供了外部控制台端口。控制台端口可连接至运行终端仿真软件的终端台式机系统以监控和配置设备。

控制台端口连接器是一个作为数据终端设备 (DTE) 连接器实现的 DB-9 插头连接器。

要使用控制台端口，必须具备下列条件：

- VT100 兼容终端或带有串行端口并运行 VT100 终端仿真软件的台式机或便携式系统。
- 带有连接控制台端口的 DB-9 内孔连接器和连接终端的适当连接器的 RS-232 交叉电缆。

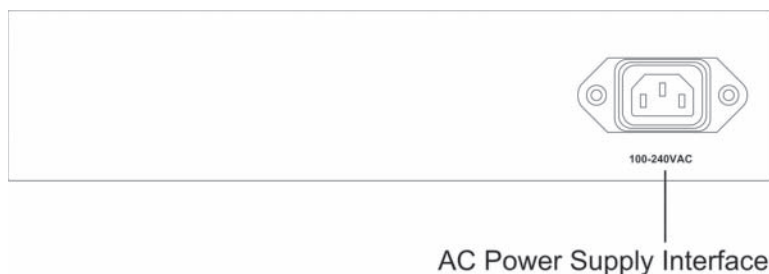
要将终端连接到设备控制台端口，请执行下列步骤：

- 1 将附带的 RS-232 交叉电缆连接到运行 VT100 终端仿真软件的终端。
- 2 确保终端仿真软件设置如下：
 - a 选择适当的串行端口（串行端口 1 或串行端口 2）连接至控制台。
 - b 设置数据速率为 9600 波特。
 - c 设置数据格式为 8 数据位、1 停止位，并且无奇偶校验。
 - d 将流控制设置为 none（无）。
 - e 在 Properties 下，选择 VT100 for Emulation（VT100 仿真）模式。
 - f 为功能、箭头和 Ctrl 键选择终端键。确保设置用于终端键（非 Windows 键）。

➔ **注意：**在 Microsoft® Windows 2000、Windows XP 或 Windows Vista 中使用 HyperTerminal 时，请确保安装了最新的服务软件包。使用 Windows 2000 服务软件包 2，箭头键在 HyperTerminal 的 VT100 仿真中功能正常。有关 Windows 2000、Windows XP 和 Windows Vista 服务软件包的详细信息，请访问 www.microsoft.com。

- 3 将 RS-232 交叉电缆的内孔连接器直接连接到设备上的设备控制台端口，并拧紧系留固定螺钉。PowerConnect 2800 系列控制台端口位于背面板上。

图 3-1. 连接至 PowerConnect 2800 系列控制台端口



引导设备 - 网管模式

本部分介绍的步骤涉及设置为网管式交换机的设备。PowerConnect 2808/16/24/48 型号包括内置双用模式按钮。要切换网管模式和非网管模式，可以按模式按钮（不超过七秒）。

将设备设置为网管式交换机后，可按以下操作在连接的终端上监控引导步骤：


- 1 确保设备控制台端口通过 RS-232 交叉电缆连接到 VT100 终端设备或 VT100 终端仿真器。
- 2 找到交流电源插座。
- 3 去活交流电源插座。
- 4 将设备连接到交流电源插座。
- 5 激活交流电源插座。

连接本地终端并打开电源后，设备将进行开机自测 (POST)。开机自测在设备每次初始化时运行，并在完全引导之前检查硬件组件，以确定设备是否完全可操作。如果检测到严重问题，程序流将停止。如果成功通过开机自测，一个有效的可执行程序映像被载入到随机存取存储器 (RAM) 中。开机自测信息显示在终端上，并表明测试获得成功或发生故障。

在非网管模式下，引导过程的运行时间不超过 45 秒，在其它模式下的运行时间则为 90 秒左右。

初始配置 - 网管模式

本部分介绍的信息和步骤适用于设置为网管模式的交换机设备。

 交换机的出厂设置为非网管模式。有关设备配置的完整说明，请参阅 Dell™ PowerConnect™ 28xx 系统用户指南的第 4 章，“启动和配置设备”。

 初始的简单配置做如下假设：

- 该 PowerConnect 设备以前从未配置过，并且设备的状态与您接收它时相同。
- PowerConnect 设备成功启动。
- 控制台连接已建立，控制台提示符显示在 VT100 终端设备的屏幕上。（按几下 <Enter> 键以验证提示符显示正确。）

初始设备配置通过串行端口进行。初始配置之后，可以从已经连接的串行端口对设备进行管理，也可以通过初始配置期间定义的接口进行远程管理。

设备首次启动或配置文件为空（因为未配置设备）时，系统会提示您使用安装向导。安装向导会指导您完成设备初始配置，并且尽快启动和运行设备。

 在配置设备之前，从网络管理员处获取以下信息：

- SNMP 团体字符串和 SNMP 管理系统 IP 地址（可选）。
- 用户名和密码。
- 分配给 VLAN 1 接口的 IP 地址，设备将通过该接口进行管理（默认情况下，每个外部端口和内部端口都是 VLAN 1 的一个成员）
- 该网络的 IP 子网掩码
- 用于配置默认路由的默认网关（下一跳路由器）IP 地址。

安装向导会指导您完成设备初始配置，并且尽快启动并运行系统。也可跳过安装向导，然后通过设备的 CLI 模式手动配置设备。使用 CLI 配置设备时，可参考 *PowerConnect 2800 系列用户指南* 以获取帮助。

“安装向导”配置了以下字段。

- SNMP 团体字符串和 SNMP 管理系统 IP 地址（可选）
- 用户名和密码
- 设备 IP 地址
- IP 子网掩码
- 默认网关 IP 地址

安装向导显示以下信息：

```
Welcome to Dell Easy Setup Wizard.
```

```
The Setup Wizard guides you through the initial switch configuration, and gets you up and running as quickly as possible. You can skip the setup wizard, and enter CLI mode to manually configure the switch. The system will prompt you with a default answer; by pressing enter, you accept the default. You must respond to the next question to run the setup wizard within 60 seconds, otherwise the system will continue with normal operation using the default system configuration.
```

```
Would you like to enter the setup wizard (you must answer this question within 60 seconds)? (Y/N) [Y] Y
```

（欢迎使用 Dell 轻松安装向导。）

安装向导会指导您完成交换机初始配置，并且尽快启动并运行。也可跳过安装向导，然后进入 CLI 模式以手动配置交换机。系统会提示用户使用默认配置，按 Enter 键接受默认配置。必须在 60 秒之内回应下一个问题以运行安装向导，否则系统会继续使用默认的系统配置执行正常操作。

```
是否进入安装向导（必须在 60 秒之内回答此问题）？ (Y/N) [Y] Y
```



如果选择不使用安装向导，也可使用默认 IP 地址 / 掩码 (192.168.2.1/255.255.255.0) 访问 Web 接口。



可随时输入 [Ctrl+Z] 退出安装向导。

向导步骤 1

将显示以下信息：

```
The system is not setup for SNMP management by default.
```

```
To manage the switch using SNMP (required for Dell Network Manager) you can:
```

```
*Setup the initial SNMP Version 2 account now
```

```
*Return later and setup additional SNMP v1/v2 accounts
```

```
For more information on setting up SNMP accounts, please see the user documentation.
```

```
Would you like to setup the SNMP management interface now? (Y/N) [Y] Y
```


(在默认情况下,系统不会设置为使用 SNMP 管理。

要使用 SNMP 管理交换机 (Dell Network Manager 所必需的),可执行以下操作:

- * 立刻设置 SNMP 版本 2 初始帐号

- * 稍后再返回并设置其它 SNMP v1/v2 帐号

有关设置 SNMP 帐号的详细信息,请参阅用户说明文件。

是否立刻设置 SNMP 管理接口? (Y/N) [Y] Y)

输入 [N] 跳到步骤 2。

输入 [Y] 继续运行安装向导。将显示以下信息:

To setup the SNMP management account you must specify the management system IP address and the "community string" or password that the particular management system uses to access the switch. The wizard automatically assigns the highest access level [Privilege Level 15] to this account.

You can use Dell Network Manager or CLI to change this setting, and to add additional management systems. For more information on adding management systems, see the user documentation.

To add a management station:

Please enter the SNMP community string to be used:

[Dell_Network_Manager]

(要设置 SNMP 管理帐户,必须指定管理系统的 IP 地址和特定管理系统用于访问交换机的“团体字符串”或密码。向导会自动为此帐户分配最高访问级别 [优先级级别 15]。

可以使用 Dell Network Manager 或 CLI 更改此设置,以及添加其它管理系统。有关添加管理系统的详细信息,请参阅用户说明文件。

要添加管理站:

请输入要使用的 SNMP 团体字符串: [Dell_Network_Manager])

请输入管理系统的 IP 地址 (A.B.C.D), 或输入通配符 (0.0.0.0) 以便从任意管理站进行管理: [0.0.0.0]

向导步骤 2

将显示以下信息:

Now we need to setup your initial privilege (Level 15) user account.

This account is used to login to the CLI, Telnet and Web interface.

You may setup other accounts and change privilege levels later.

For more information on setting up user accounts and changing privilege levels, see the user documentation.

To setup a user account:

Enter the user name<1-20>:[admin]

Please enter the user password:*****

Please reenter the user password:*****

(现在需要设置初始优先权 (级别 15) 用户帐户。

此帐户用于登录到 CLI、Telnet 和 Web 接口。

可随后设置其它帐户并更改优先权级别。

有关设置用户帐户和更改优先权级别的详细信息，请参阅用户说明文件。

要设置用户帐户：

输入用户名 <1-20> : [admin]

请输入用户密码：*****

请重新输入用户密码：*****)

向导步骤 3

将显示以下信息：

Next, an IP address is setup.

The IP address is defined on the default VLAN, (VLAN #2). This is the IP address you use to access the Telnet, Web interface, or SNMP interface for the switch. To setup an IP address:

Please enter the IP address of the device (A.B.C.D):10.6.22.100

Please enter the IP subnet mask (A.B.C.D or nn):[255.255.255.224]

(设置下一个 IP 地址。

IP 地址在默认的 VLAN, (VLAN #2) 上定义。这是交换机用于访问 Telnet、Web 接口或 SNMP 接口的 IP 地址。要设置 IP 地址：

请输入设备的 IP 地址 (A.B.C.D) : 10.6.22.100

请输入 IP 子网掩码 (A.B.C.D 或 nn) : [255.255.255.224])

向导步骤 4

将显示以下信息：

Finally, setup the default gateway.

Please enter the IP address of the gateway from which this network is reachable(e.g. 192.168.1.1).Default gateway (A.B.C.D):[10.6.22.97]

(最后设置默认网关。

请输入此网络可访问的网关的 IP 地址 (例如 192.168.1.1)。默认网关 (A.B.C.D) :
[10.6.22.97]

输入默认网关。

按 Enter 键。将显示以下信息 (按照所述的示例参数) :

This is the configuration information that has been collected:

(这是已收集到的配置信息 :)

=====

SNMP Interface = Dell_Network_Manager@0.0.0.0

User Account setup = admin

Password = *****

Management IP address = 10.6.22.100 255.255.255.224

Default Gateway is 10.6.22.97

(SNMP 接口 = Dell_Network_Manager@0.0.0.0

用户帐户设置 = admin

密码 = *****

管理 IP 地址 = 10.6.22.100 255.255.255.224

默认网关为 10.6.22.97)

=====

向导步骤 5

将显示以下信息 :

If the information is correct, please select (Y) to save the configuration, and copy to the start-up configuration file. If the information is incorrect, select (N) to discard configuration and restart the wizard: (Y/N) [Y] Y

Configuring SNMP management interface.

Configuring user account.....

Configuring IP and subnet.....

Thank you for using Dell Easy Setup Wizard.

(如果信息正确, 请选择 (Y) 以保存配置, 然后将其复制到启动配置文件。如果信息不正确, 则选择 (N) 以放弃配置, 然后重新启动向导: (Y/N) [Y] Y

正在配置 SNMP 管理接口。

正在配置用户帐户

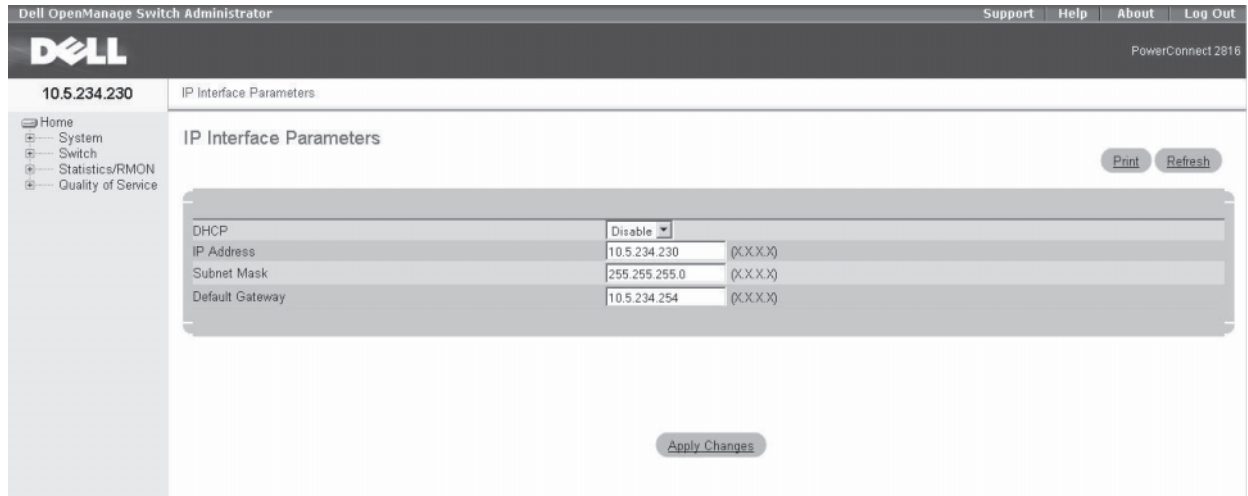
正在配置 IP 和子网

感谢您使用 Dell 轻松安装向导。)

Web 配置

- 1 在 Web 用户界面中打开系统 IP 地址窗口。

图 3-2. Web 配置用户界面



- 2 输入 IP 地址、子网掩码和默认网关。
- 3 单击应用更改。设备即完成配置。

新增加的环保型功能：绿色以太网

绿色以太网功能降低了网络的能耗。绿色以太网节能技术可自动检测链路断开和 / 或短距离以降低能耗，从而确保网络的每个端口使用更少的能量且更加环保，而且不会破坏网络的完整性。

默认情况下会启用能量检测和短距离模式。

管制通告

有关其它管制信息，请访问 www.dell.com 上的“规章符合性”主页，网址为：www.dell.com/regulatory_compliance。

información NOM (únicamente para México)

La información siguiente se proporciona en el dispositivo o dispositivos descritos en este documento, en cumplimiento con los requisitos de la Norma oficial mexicana (NOM):

Exportador:	Dell Inc. One Dell Way Round Rock, TX 78682
Importador:	Dell Mexico, S.A. de C.V. Paseo de la Reforma 2620 - 11 ° Piso Col. Lomas Altas 11950 Mexico, D.F.
Enviar a:	Dell Mexico, S.A. de C.V. al Cuidado de Kuehne & Nagel de Mexico S. de R.L. Avenida Soles No. 55 Col. Pedernales de los Baños 15520 Mexico, D.F.

Dell PowerConnect™

Modelo	Voltaje de alimentación	频率	功耗
2808	100-240 VAC	50-60 Hz	0.75 A
2816	100-240 VAC	50-60 Hz	0.75 A
2824	100-240 VAC	50-60 Hz	1 A
2848	100-240 VAC	50-60 Hz	1.8 A




Informação sobre Órgão Regulador

A marca de certificação se aplica a este Equipamento de Rede de Dados
Para maiores consultas sobre ANATEL visite o site: www.anatel.gov.br

Dell™ PowerConnect™ 28xx 시스템

시작 안내서

주, 주의사항 및 주의

-  주는 컴퓨터의 활용도를 높이는 데 도움이 되는 중요한 정보입니다.
-  **주의사항:** 주의사항은 하드웨어 손상이나 데이터 손실의 가능성을 알리고 이러한 문제를 방지하는 방법을 알려줍니다.
-  **주의:** 주의는 잠재적으로 물건의 손상, 신체적 부상 또는 사망 등과 같은 결과를 초래 할 수 있음을 뜻합니다.

이 문서의 정보는 사전 통보 없이 변경될 수 있습니다.
© 2008 Dell Inc. 저작권 본사 소유.

Dell Inc. 의 사전 서면 승인 없이 어떠한 무단 복제도 엄격히 금합니다.

본 설명서에 사용된 상표 : *Dell, Dell OpenManage, DELL* 로고, *Inspiron, Dell Precision, Dimension, OptiPlex, PowerConnect, PowerApp, PowerVault, Axim, DellNet* 및 *Latitude* 는 Dell Inc. 의 상표입니다. *Microsoft* 및 *Windows* 는 Microsoft Corporation 의 등록 상표입니다.

본 설명서에서는 특정 회사의 마크나 제품 이름의 사실성을 입증하기 위해 기타 상표나 상호를 사용할 수도 있습니다. Dell Inc. 는 자사가 소유하고 있는 것 이외의 타사 소유 상표 및 상표명에 대한 어떠한 소유권도 가지고 있지 않습니다.

차례

1	설치	
	개요	193
	현장 준비	193
	현장 요구사항	193
	포장 풀기	194
	내용물	194
	장치의 포장 풀기	194
2	장치 마운팅	
	개요	195
	설치 주의 사항	195
	장치 랙 설치	196
	평평한 곳에 설치	197
	벽에 스위치 설치	197
	전원 공급 장치에 장치 연결하기	199
3	장치 시작 및 구성	
	관리 모드	201
	네트워크에 장치 연결하기	201
	장치에 터미널 연결하기	202
	장치 부팅 - 관리 모드	203
	최초 구성 - 관리모드	203
	웹 구성	208
	새로이 도입된 환경 친화적인 기능: 그린 이더넷	209
	규정사항	210
	informaci?n NOM (?nicamente para M?xico)	210
	Informa??o sobre ?rg?o Regulador	210

설치

개요

이 설명서는 다음과 같은 PowerConnect 2800 시리즈의 웹 기반 기가비트 이더넷 스위치의 설치 및 실행 시작에 필요한 기본 정보를 제공합니다:

- PowerConnect 2808
- PowerConnect 2816
- PowerConnect 2824
- PowerConnect 2848

PowerConnect 2800 시리즈는 워크스테이션을 비롯하여 다음과 같은 기타 네트워크 장치를 연결 하는데 사용이 가능합니다:

- 서버
- 허브
- 라우터

PowerConnect 장치는 주로 고성능 에지 연결성이 요구되는 소규모 오피스 / 홈 오피스 (SOHO) 를 위해 사용하도록 구성되어 있습니다. 이러한 PowerConnect 장치는 고급 웹 관리 기능과 함께 고성능 네트워크 연결성을 필요로 하는 중소기업에 이상적입니다. PowerConnect 관리 기능은 네트워크 처리량 관리를 향상 및 증진시키면서 관리에 소요되는 노력을 최소화할 수 있도록 설계되어 있습니다.

스위치는 출하시 비관리 모드로 제공됩니다. 사용자가 스위치를 비관리 스위치로 사용하기를 원할 경우, 스위치의 플러그를 꽂고 사용하면 됩니다. 구성은 필요하지 않습니다. 동일한 사용자가 스위치를 관리 스위치로 사용하기를 원할 경우, Dell™ PowerConnect™ 2800 시리즈의 사용 설명서에 설명된 바와 같이, 모드를 비관리 모드에서 관리 모드로 변경해야 합니다. 사용 설명서는 설명서 CD에서 사용 가능합니다. 또는 www.support.dell.com 의 Dell 지원 웹사이트에서 최신 설명서와 소프트웨어 업데이트를 확인할 수 있습니다.

현장 준비

현장 요구사항

PowerConnect 2808/16/24/48 장치는 표준 장비 랙에 장착하거나 테이블 표면에 올려 놓거나 벽에 장착이 가능합니다.

장치를 설치하기 전에, 장치에 대해 선택한 현장이 다음의 현장 요구사항에 부합되는지 확인합니다:

- **전원**? 장치는 220/110 VAC, 50/60 Hz의 손쉽게 접근이 가능한 콘센트에서 최대 1.5 m (5 피트)의 간격을 두고 설치합니다. 장치에 2 개의 전원 공급 장치가 있는 경우, 장치를 설치할 현장에 각기 다른 전원 공급원을 사용하는 2 개의 전원 콘센트가 구비되어야 합니다.
- **일반 (General)**? 전원 공급 장치가 정확하게 설치되어 있는지 확인합니다.
- **여유 (Clearance)**? 작업자 접근을 고려하여 전면에 적절한 여유를 남겨둡니다. 이러한 여유 공간으로 케이블 연결, 전원 연결, 통풍이 용이하게 이루어질 수 있습니다.
- **케이블 연결 (Cabling)**? 케이블은 예를 들면, 송신기, 브로드캐스트 증폭기, 전력선, 형광 조명기구와 같은 전기 잡음의 발생 원인을 피할 수 있도록 경로가 구성되어 있습니다.
- **주변 요구사항**? 주변 장치 작동 온도 범위는 최대 95%의 상대습도 (비응축) 에서 0 ~ 45° C (32 ~ 113° F) 입니다. 물이나 수분이 장치 케이스 내부로 유입될 수 없는 상태인지 확인합니다.

포장 풀기

내용물

장치의 포장을 푸는 동안 다음 항목이 있는지 확인하십시오.

- 장치
- AC 전원 케이블
- 접착성 고무 패드 (선반 설치용)
- 설치용 랙마운트 키트
- 설명서 CD
- 제품 정보 안내

장치의 포장 풀기

PowerConnect 장치의 포장 풀기를 수행하려면:



장치의 포장을 풀기 전에 포장 상태를 확인하고 손상된 흔적이 있으면 통보하십시오.

- 1 깨끗하고 평평한 곳에 상자를 놓습니다.
- 2 상자를 열거나 상자 덮개를 제거합니다.
- 3 패키지에서 장치를 조심스럽게 꺼내어 안전하고 깨끗한 곳에 잘 놓습니다.
- 4 포장에 이용된 물품을 제거합니다.
- 5 제품의 손상 여부를 확인합니다. 손상이 있을 경우 즉시 통보하십시오.

장치 마운팅

개요

다음의 마운팅 지시사항은 PowerConnect 2808/16/24/48 장치에 적용됩니다. 다음과 같은 3 가지 장치 마운팅 옵션이 있습니다:

- 랙에 스위치 설치
- 평평한 곳에 스위치 설치
- 벽에 스위치 설치

설치 주의 사항

⚠ 주의: 주의: 다음 컴퓨터의 절차를 수행하기 전에 **제품 정보 안내**에 있는 안전 지침을 읽고 따르십시오.

⚠ 주의: 주의: 이 섹션에 있는 절차를 수행하기 전에 다음 사항을 관찰하십시오.

- 장치가 장착된 랙이나 캐비닛이 불안정한 상태가 되거나 넘어지지 않도록 적절하게 고정시키도록 하십시오.
- 전원 회로가 올바르게 접지되도록 하십시오.
- 서비스 특기 사항을 보고 따르십시오. 시스템 설명서에 설명된 경우를 제외하고 장치를 수리하지 마십시오. 삼각형 기호에 번개 표시가 새겨진 덮개를 분리하거나 제거하는 경우 전기 충격을 받을 수 있습니다. 이러한 구성요소는 교육을 받은 서비스 기술자가 다루어야 합니다.
- 전원 케이블, 연장 케이블 및 / 또는 플러그가 손상되지 않도록 하십시오.
- 장치가 물에 노출되지 않도록 하십시오.
- 장치가 방사선 및 / 또는 열에 노출되지 않도록 하십시오.
- 냉각 환풍구가 차단되지 않도록 하십시오.
- 장치에 이물질을 넣지 마십시오. 화재 또는 감전이 발생할 수 있습니다.
- 장치에 승인된 장치만 사용하십시오.
- 덮개를 제거하거나 내부 구성요소를 건드리기 전에 장치를 냉각시키십시오.
- 장치가 전원 회로, 전선, 과전류 보호 장치에 부하를 주지 않도록 하십시오. 공급 회로의 과부하 발생 가능성을 확인하려면 장치와 동일한 회로에 설치된 모든 장치의 정격 암페어를 추가하십시오. 이러한 전체 전류값을 회로에 대한 정격 한계값과 비교하십시오.
- 주변 작동 온도가 40 °C (104 °F) 를 초과할 수 있는 환경에 장치를 설치하지 마십시오.
- 장치의 전면, 측면 및 후면의 통풍이 방해받지 않도록 하십시오.

장치 랙 설치

⚠ 주의 : 제품 정보 설명서의 안전 정보뿐만 아니라 장치에 연결되거나 이를 지원하는 기타 장치에 대한 안전 정보도 참조하십시오 .

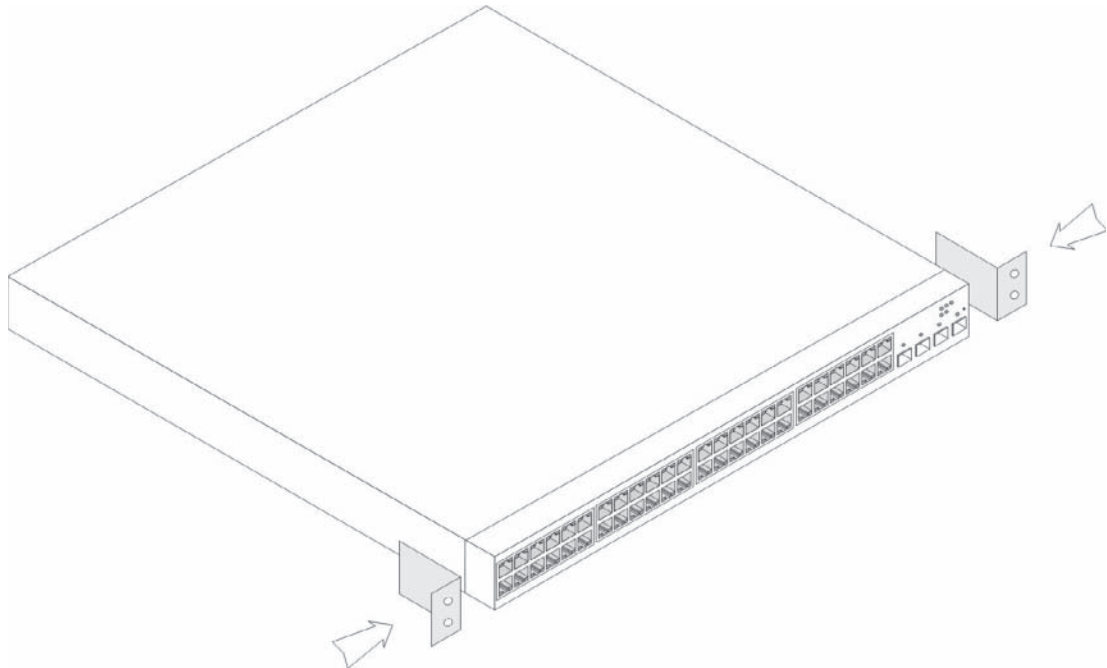
⚠ 주의 : 랙이나 캐비닛에 장치를 설치하기 전에 컴퓨터로부터 모든 케이블을 분리합니다 .

⚠ 주의 : 랙에 다수의 장치를 장착할 경우 , 장치를 하단에서 상단으로 장착합니다 .

장치를 랙에 다음과 같이 설치합니다 :

- 1 장치 라인의 마운팅 홀이 랙 설치 받침대에서 최대 마운팅 홀까지 오도록 장치의 한 쪽에 제공된 랙 설치 받침대를 놓습니다 . 다음의 그림은 설치 받침대를 장착할 위치를 보여주고 있습니다 .

그림 2-1. 랙 마운팅용 받침대 설치



- 2 제공된 나사를 랙 마운팅 홀에 끼워 넣고 나사 드라이버로 죄어줍니다 .
- 3 장치의 다른 쪽에서 랙 설치 받침대에 대해 이러한 과정을 반복합니다 .
- 4 장치 라인의 랙 마운팅 홀이 랙에서 최대 마운팅 홀까지 오도록 장치를 랙에 끼워 넣습니다 .
- 5 랙 나사 (제공되지 않음)를 사용하여 장치를 랙에 고정합니다 . 하부의 나사를 먼저 조인 다음 상부의 나사를 죄어줍니다 . 통풍 홀이 차단되지 않도록 하십시오 .

평평한 곳에 설치

장치가 랙에 설치되지 않은 경우, 장치를 평평한 곳에 설치해야 합니다. 장치를 설치할 곳은 장치와 장치 케이블의 무게를 지탱할 수 있어야 합니다.

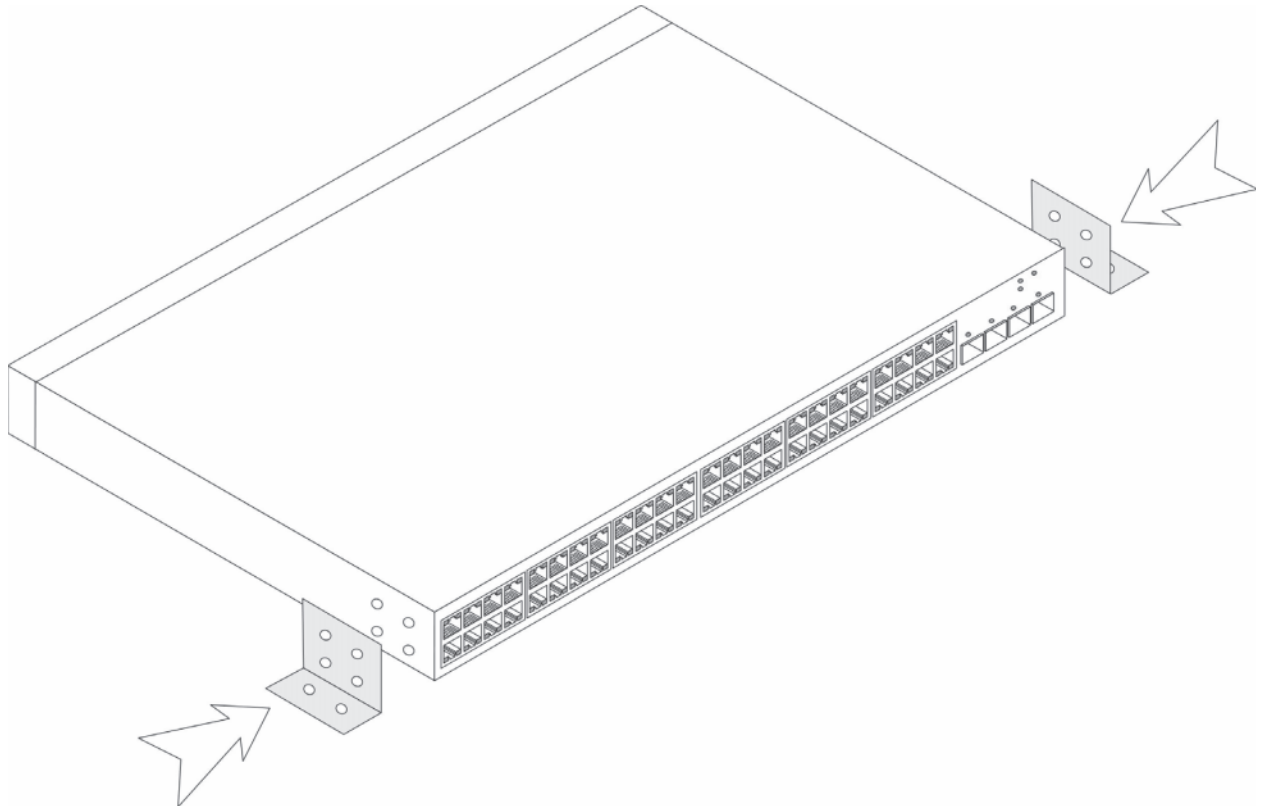
- 1 새시 하단의 각각의 표시된 위치에 (장치와 함께 제공되는) 자기접착식 고무 패드를 부착합니다.
- 2 양쪽에 2인치 (5.08 cm) 그리고 뒤쪽에 5인치 (12.7 cm) 의 거리를 남겨 두고 장치를 평평한 곳에 설치합니다.
- 3 장치가 적절하게 통풍이 되도록 하십시오.

벽에 스위치 설치

벽에 장치 설치 :

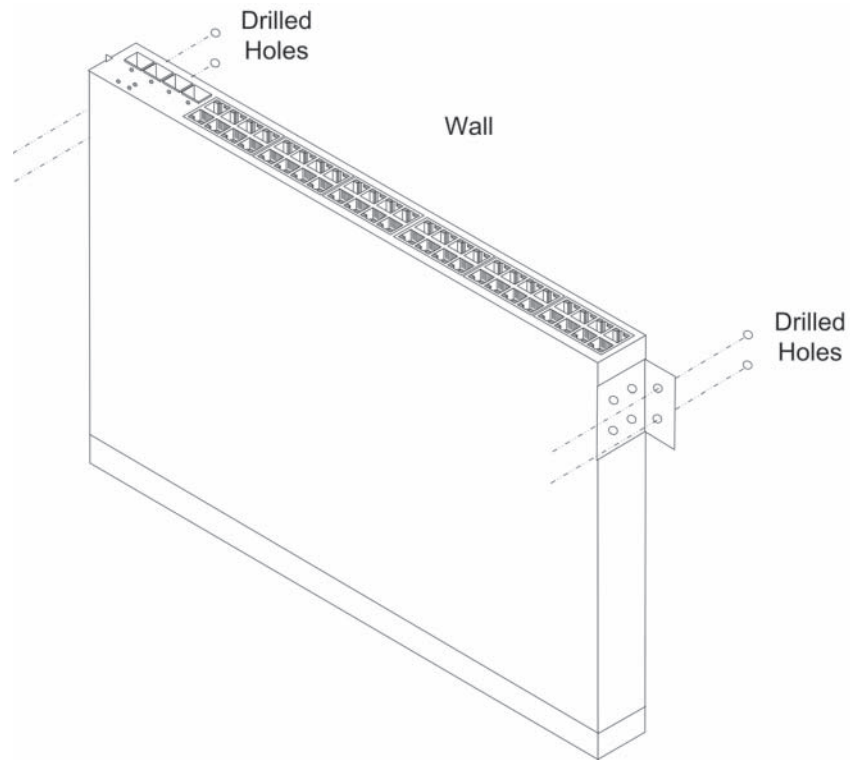
- 1 장착 위치가 다음의 요건을 반드시 충족해야 합니다.
 - 벽 표면이 장치를 충분히 지지할 수 있어야 합니다.
 - 적절한 통풍을 위해 양쪽에 최소 2 인치 (5.1 cm) 의 공간을 그리고 전원 케이블 여유를 위해 뒤쪽에 최소 5 인치 (12.7 cm) 의 공간을 확보하십시오.
 - 태양광에 직접 노출되지 않는 곳이어야 합니다.
 - 그러한 부위는 열 방출구에서 최소 2 피트 (61 cm) 의 거리에 위치해야 하며, 어떠한 영역-열방출구도 장치 방향을 향해서는 안 됩니다.
 - 열 상승을 방지할 수 있도록 통풍이 이루어져야 합니다.
 - 데이터 또는 전기 케이블 연결 근처에 장치를 두지 마십시오.
 - 전원 케이블은 콘센트에 연결이 가능해야 합니다.
- 2 장치 라인의 마운팅 홀이 랙 설치 받침대에서 최대 마운팅 홀까지 오도록 장치의 한 쪽에 제공된 벽 설치 받침대를 놓습니다. 다음의 그림은 설치 받침대를 장착할 위치를 보여주고 있습니다.

그림 2-2. 벽 마운팅용 받침대 설치



- 3 제공된 나사를 랙 마운팅 홀에 끼워 넣고 나사 드라이버로 죄어줍니다.
- 4 장치의 다른 쪽에서 벽 설치 받침대에 대해 이러한 과정을 반복합니다.
- 5 장치를 설치하고 있는 곳의 벽에 장치를 놓습니다.
- 6 벽에 장치를 고정할 나사의 위치를 표시해야 합니다.
- 7 표시된 위치에 드릴로 홀을 뚫고 홀에 모든 플러그 (제공되지 않음) 를 놓습니다.
- 8 나사 (제공되지 않음) 로 장치를 벽에 고정합니다. 통풍 홀이 차단되지 않도록 하십시오.

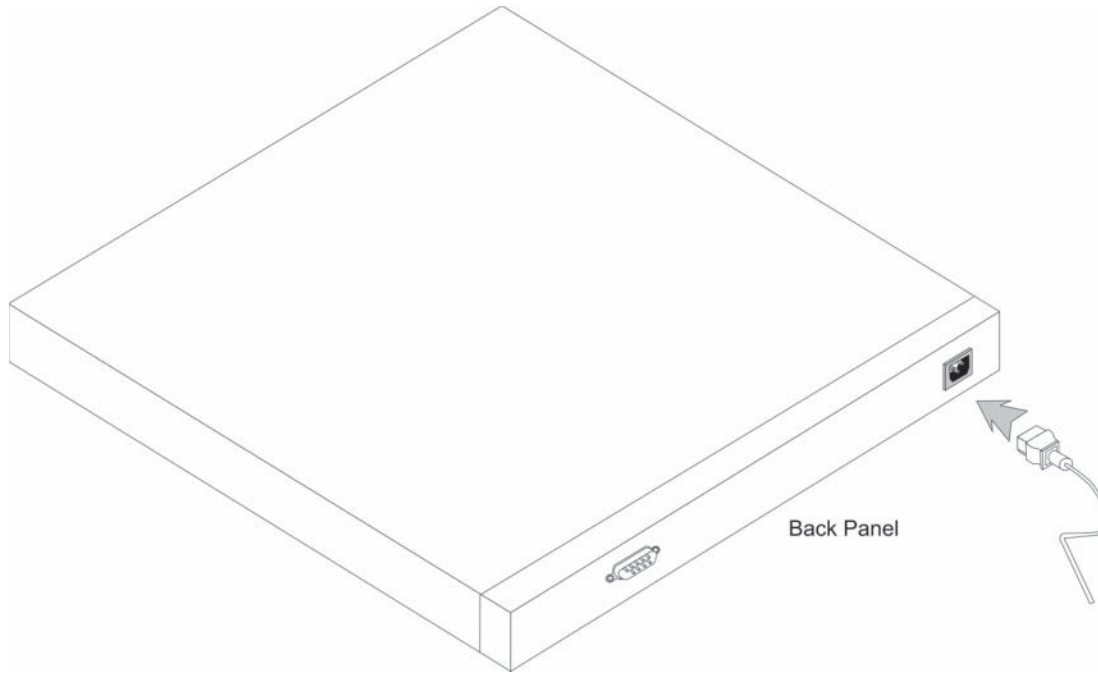
그림 2-3. 벽에 장치 설치



전원 공급 장치에 장치 연결하기

- 1 제공된 표준 AC 전원 케이블을 후면판의 AC 커넥터에 연결합니다.
- 2 이때 전원 케이블을 접지된 AC 콘센트에 연결하지 마십시오. 장치를 장치 시작 및 구성 섹션에 상세히 설명된 과정에 따라 전원에 연결하십시오.

그림 2-4. 전원 공급 장치에 연결하기




- 3 장치를 전원에 연결한 후, 전면 패널의 LEDs 를 확인하여 장치가 정확하게 연결되어 작동되고 있는지 확인하십시오.


장치 시작 및 구성


모든 외부 연결을 완료한 후 다음과 같이 진행하십시오 :

- 장치를 비관리 스위치로 사용할 경우, 단자 연결이 필요하지 않습니다.
- 장치를 관리 모드로 사용할 경우 단자 연결이 필요합니다.

 PowerConnect 2808에는 직렬 포트가 내장되어 있습니다.

고급 기능은 설명서 CD의 Dell™ PowerConnect™ 2800 사용 설명서에 설명되어 있습니다.

 작업을 시작하기 전에 본 제품에 대한 발행 정보를 확인해 주십시오. 이 발행 정보는 <http://support.dell.com>에서 다운로드할 수 있습니다.


 <http://support.dell.com>의 Dell 지원 웹사이트에서 사용 설명서 최신 개정판을 다운받아 보유할 것을 권장합니다.


관리 모드

PowerConnect 2808/16/24/48은 전면 패널에 모드 (Mode) 누름 단추가 있습니다. 모드 단추를 누르면 관리 (Managed) 모드와 비관리 (Unmanaged) 모드로 상호 전환되거나 보안 (Secure) 모드에서 관리 모드로 변경됩니다. 관리 모드에 대한 자세한 설명은 설명서 CD의 Dell™ PowerConnect™ 2800 사용 설명서를 참조하십시오.

네트워크에 장치 연결하기

업링크 포트를 연결하려면 카테고리 5 UTP(Unshielded Twisted-Pair) 케이블을 RJ-45 커넥터의 양쪽 끝에 연결하십시오. 이더넷 장치의 RJ-45 포트는 자동 감지 (Auto-Negotiation) 모드에서 자동 매체 종속 인터페이스 / 크로스오버가 있는 매체 종속 인터페이스 (MDI/MDIX) 작동을 지원합니다. 표준 직통 꼬임쌍선 케이블을 사용하여 자동 감지를 지원하는 다른 이더넷 네트워크 (시스템, 서버, 스위치 또는 라우터)에 연결할 수 있습니다.

 전화 잭 커넥터를 RJ-45 포트에 꽂지 마십시오. 이더넷 장치를 손상시킬 수 있습니다. 연선과 RJ-45 커넥터를 함께 사용하여 FCC 표준을 준수합니다.

 자동 감지 기능이 포트에서 꺼져있으면 직렬 케이블을 사용해야 합니다.

네트워크에 장치를 연결하려면 :

- 1 연선 케이블의 한쪽 끝을 장치의 RJ-45 커넥터에 연결하고 다른 한쪽 끝은 스위치 또는 서버에 연결하십시오.
- 2 각각의 꼬임쌍선 케이블이 길이가 328 피트 (100 미터) 를 초과하지 않도록 하십시오.

각각의 연결이 구성되면 장치의 각각의 포트에 해당되는 링크 LED가 점등되며 (녹색 또는 호박색) 연결이 유효한 상태임을 나타냅니다.

장치에 터미널 연결하기

장치는 모델 28016/24/48 에서 외부 콘솔 포트를 제공합니다. 콘솔 포트를 통해 터미널 모방 소프트웨어를 실행중인 터미널 데스크탑 시스템에 대한 연결이 가능하며, 장치를 모니터링하고 구성할 수 있습니다.


콘솔 포트 커넥터는 데이터 터미널 장비 (DTE) 커넥터로 구현된 수 DB-9 커넥터입니다.

콘솔 포트를 사용하려면 다음 항목이 필요합니다:

- 직렬 포트가 있고 VT100 터미널 모방 소프트웨어를 실행중인 VT100 과 호환가능한 단말기 또는 데스크탑 또는 휴대용 시스템.
- 콘솔 포트를 위한 암 DB-9 커넥터와 터미널을 위한 적절한 커넥터가 있는 RS-232 크로스오버 케이블.

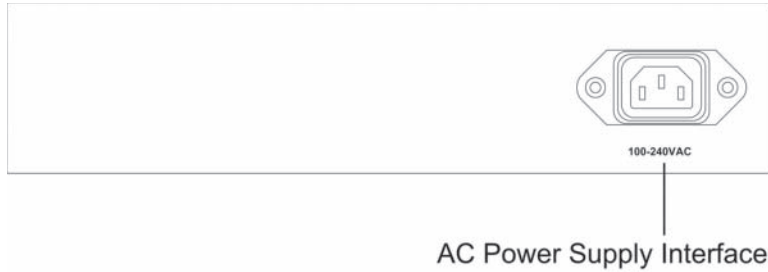
터미널을 장치 콘솔 포트에 연결하려면, 다음 과정을 수행하십시오:

- 1 제공된 RS-232 크로스오버 케이블을 VT100 터미널 모방 소프트웨어를 실행중인 터미널에 연결합니다.
- 2 터미널 모방 소프트웨어가 다음과 같이 설정되어 있는지 확인합니다:
 - a 콘솔에 연결할 적절한 직렬 포트 (직렬 포트 1 또는 직렬 포트 2) 를 선택합니다.
 - b 데이터 전송율을 9600 baud 로 설정합니다.
 - c 데이터 포맷을 8 데이터 비트, 1 정지 비트 및 패리티 없음으로 설정합니다.
 - d 흐름 제어를 없음으로 설정합니다.
 - e 등록 정보에서 모방용 VT100 모드를 선택합니다.
 - f 기능, 화살표 및 Ctrl 키에 대한 터미널 키를 선택합니다. 설정이 Terminal keys(Windows keys가 아님) 에 대한 것인지 확인하십시오.

 **주의사항:** Microsoft[®] Windows[®] 2000, Windows XP 또는 Windows Vista 에서 하이퍼터미널을 사용하는 경우, 최신 서비스 팩이 설치 되었는지 확인하십시오. Windows 2000 서비스 팩 2 를 설치하시면 하이퍼터미널의 VT100 에뮬레이션에서 화살표 키가 올바르게 작동됩니다. Windows 2000, Windows XP 및 Windows Vista 서비스 팩에 대한 정보는 www.microsoft.com 을 방문하십시오.

- 3 장치에 있는 장치 콘솔 포트에 RS-232 크로스오버 케이블의 암 커넥터를 직접 연결한 후, 캡티브 고정 나사를 죄어줍니다. PowerConnect 2800 시리즈 콘솔 포트는 후면판에 있습니다.

그림 3-1. PowerConnect 2800 시리즈 콘솔 포트에 연결하기



장치 부팅 - 관리 모드

이 섹션에 설명된 과정은 관리 스위치로 작동하도록 설정된 장치에 대해 설명합니다. PowerConnect 2808/16/24/48 모델에는 이중 용도의 내장형 모드 버튼이 포함되어 있습니다. 관리 모드와 비관리 모드로 상호 전환하려면, 최대 7 초 동안 모드 (Mode) 단추를 누릅니다.

장치를 관리 스위치로 작동하도록 설정하면, 다음과 같이 연결된 단자에서 부팅 과정을 모니터링 할 수 있습니다:

- 1 장치 콘솔 포트가 RS-232 크로스오버 케이블을 통해 VT100 터미널 장치 또는 VT100 터미널 에뮬레이터에 연결되도록 하십시오.
- 2 AC 전원 소켓의 위치를 찾습니다.
- 3 AC 전원 소켓을 비활성화시킵니다.
- 4 장치를 AC 소켓에 연결합니다.
- 5 AC 전원 소켓을 활성화시킵니다.

로컬 단자가 이미 연결된 상태에서 전원을 켜면, 장치는 시동 자체 시험 (POST) 을 진행합니다. POST 는 장치가 초기화될 때 마다 실행되며 하드웨어 구성요소를 검사하여 완전히 부팅하기 전에 장치가 제대로 작동하는지 확인합니다. 중요한 문제가 감지되면 프로그램 흐름이 중지됩니다. POST 가 성공적으로 통과되면, 유효한 실행 이미지가 RAM 에 로드됩니다. POST 메시지가 터미널에 표시되며 검사의 성공 또는 실패 여부를 나타냅니다.

부팅 과정은 비관리 모드에서는 45 초 미만의 시간동안 실행되며 다른 모드에서는 약 90 초 동안 실행됩니다.

최초 구성 - 관리모드

이 섹션에 설명된 정보와 과정은 관리 모드 스위치로 작동하도록 설정된 장치에 대해 설명합니다.



스위치는 출하시 비관리 모드로 설정되어 있습니다. 장치 구성에 대한 자세한 설명은 Dell™ PowerConnect™ 28xx Systems 사용 설명서의 4 장 장치 시작 및 구성을 참조하십시오.



초기 기본 구성의 경우 다음 사항을 기본으로 합니다:

- PowerConnect 장치를 전에 설치한 적이 없어야 하며, 장치는 배송 당시와 같은 상태이어야 합니다.
- PowerConnect 장치가 성공적으로 부팅된 상태이어야 합니다.
- 콘솔 연결을 하였으며 콘솔 프롬프트가 VT100 터미널 장치 화면에 표시되었습니다. (<Enter> 키를 몇 번 눌러 프롬프트가 올바르게 표시되는지 확인하십시오.)

최초의 장치 구성은 직렬 포트를 통해 수행합니다. 초기 구성을 한 후에 장치는 이미 연결된 직렬 포트 또는 초기 구성을 하는 동안 정의된 인터페이스를 통해 원격으로 관리될 수 있습니다.

장치를 처음 부팅할 경우 또는 장치가 구성되지 않은 상태이므로 구성 파일이 빈 상태인 경우, 시스템은 설치 마법사를 사용하라는 메시지를 표시합니다. 설치 마법사는 최초의 장치 구성을 안내하며 장치를 구동시켜 가능한 신속하게 실행할 수 있게 해줍니다.



장치를 구성하기 전에 네트워크 관리자로부터 다음의 정보를 제공받으십시오:

- SNMP 커뮤니티 문자열 및 SNMP 관리 시스템 IP 주소 (선택사항).
- 사용자 이름 및 암호.
- 장치가 관리되는 VLAN 1 인터페이스에 할당된 IP 주소 (기본값, 모든 외장 및 내장 포트는 VLAN 1에 속함)
- 네트워크용 IP 서브넷 마스크
- 기본 경로 구성을 위한 기본 게이트웨이 (넥스트 홉 라우터)의 IP 주소.

설치 마법사는 최초의 장치 구성을 안내하며 시스템을 구동시켜 가능한 신속하게 실행할 수 있게 해줍니다. 설치 마법사를 사용하는 과정을 건너뛰기 한후 장치 CLI 모드를 통해 장치를 수동으로 구성할 수 있습니다. CLI를 사용하는 장치 구성에 대한 지원을 받으려면 *PowerConnect 2800 시리즈 사용 설명서*를 참조하십시오.

설치 마법사가 다음의 필드를 구성합니다.

- SNMP 커뮤니티 문자열 및 SNMP 관리 시스템 IP 주소 (선택사항).
- 사용자 이름 및 암호
- 장치 IP 주소
- IP 서브넷 마스크
- 기본 게이트웨이 IP 주소


설치 마법사는 다음의 정보를 표시합니다:


```
Welcome to Dell Easy Setup Wizard.
```

```
The Setup Wizard guides you through the initial switch configuration, and gets you up and running as quickly as possible. You can skip the setup wizard, and enter CLI mode to manually configure the switch. The system will prompt you with a default answer; by pressing enter, you accept the default. You must respond to the next question to run the setup wizard within 60 seconds, otherwise the system will continue with normal operation using the default system configuration.
```

```
Would you like to enter the setup wizard (you must answer this question within 60 seconds)? (Y/N) [Y] Y (Dell 빠른 설치 마법사에 오신 것을 환영합니다. 설치 마법사는 최초의 스위치 구성을 안내하며 시스템을 구동시켜 가능한 신속하게 실행할 수 있게 해줍니다. 설치 마법사를 사용하는 과정을 건너뛰기한 후 CLI 모드를 통해 스위치를 수동으로 구성할 수 있습니다. 시스템은 기본 답을 표시할 것이며, Enter 키를 누르면 기본값이 채택됩니다. 설치 마법사를 실행하려면 60 초 이내에 다음 질문에 답을
```

제시해야 합니다. 그렇지 않을 경우, 시스템은 기본 시스템 구성을 사용하여 정상 작동을 계속 진행하게 됩니다. 설치 마법사를 시작하시겠습니까 (이 질문에 60 초 이내에 답해야 합니다) (Y/N) [Y] Y)

 설치 마법사를 사용하지 않기로 선택한 경우, 기본 IP 주소 / 마스크 (192.168.2.1/255.255.255.0) 를 사용하여 웹 인터페이스에 액세스할 수 있습니다.

 [Ctrl+Z] 를 입력하면 언제든지 설치 마법사를 종료할 수 있습니다.

마법사 1 단계

다음 정보가 표시됩니다:

The system is not setup for SNMP management by default.

To manage the switch using SNMP (required for Dell Network Manager) you can:

*Setup the initial SNMP Version 2 account now

*Return later and setup additional SNMP v1/v2 accounts

For more information on setting up SNMP accounts, please see the user documentation.

Would you like to setup the SNMP management interface now? (Y/N) [Y] Y
(시스템이 기본값으로 SNMP 관리를 위해 설치되지 않은 상태입니다. (Dell Network Manager에 필요한) SNMP를 사용하여 스위치를 관리하려면 다음 과정을 수행하십시오: *최초의 SNMP 버전 2 계정을 지금 설치합니다 * 이후 추가 설치 SNMP v1/v2 계정으로 복귀합니다. SNMP 계정 설치에 대한 자세한 내용은 사용 설명서를 참조하십시오. SNMP 관리 인터페이스를 지금 설치하시겠습니까? (Y/N) [Y] Y)

[N] 을 입력하면 2 단계로 건너뛩니다.

[Y] 를 입력하면 설치 마법사를 계속 진행합니다. 다음 정보가 표시됩니다:

To setup the SNMP management account you must specify the management system IP address and the "community string" or password that the particular management system uses to access the switch. The wizard automatically assigns the highest access level [Privilege Level 15] to this account.

You can use Dell Network Manager or CLI to change this setting, and to add additional management systems. For more information on adding management systems, see the user documentation.

To add a management station:

Please enter the SNMP community string to be used:

[Dell_Network_Manager] (SNMP 관리 계정을 설치하려면 특정 관리 시스템이 스위치에 액세스하기 위해 사용하는 관리 시스템 IP 주소와 "커뮤니티 문자열" 또는 암호를 지정해야 합니다. 마법사는 이 계정에 자동으로 가장 높은 액세스 레벨 [권한 레벨 15] 을 지정합니다

. Dell Network Manager 또는 CLI 를 사용하여 이 설정을 변경하고 추가 관리 시스템을 추가할 수 있습니다. 관리 시스템 추가에 대한 자세한 내용은 사용 설명서를 참조하십시오. Management Station 을 추가하려면 : 사용할 SNMP 커뮤니티 문자열을 입력하십시오 : [Dell_Network_Manager])

Management System 의 IP 주소 (A.B.C.D) 또는 Management Station 에서 관리할 와일드카드의 IP 주소 (0.0.0.0) 를 입력하십시오 : [0.0.0.0]

마법사 2 단계

다음 정보가 표시됩니다 :

```
Now we need to setup your initial privilege (Level 15) user account.
This account is used to login to the CLI, Telnet and Web interface.
You may setup other accounts and change privilege levels later.
For more information on setting up user accounts and changing
privilege levels, see the user documentation.
```

To setup a user account:

```
Enter the user name<1-20>:[admin]
```

```
Please enter the user password:*****
```

Please reenter the user password:***** (이제 권한(레벨 15)이 있는 최초의 사용자 계정을 설정해야 합니다. 이 계정은 CLI, 텔넷 및 웹 인터페이스에 로그인하는데 사용됩니다. 다른 계정을 설정하고 나중에 권한 레벨을 변경할 수 있습니다. 사용자 계정 설정 및 권한 레벨 변경에 대한 자세한 내용은 사용 설명서를 참조하십시오. 사용자 계정을 설정하려면 : 사용자 이름 <1-20> 을 입력하십시오 : 사용자 암호를 입력하십시오 : ***** 사용자 암호를 다시 입력하십시오 : *****)

마법사 3 단계

다음 정보가 표시됩니다 :

Next, an IP address is setup.

The IP address is defined on the default VLAN, (VLAN #2). This is the IP address you use to access the Telnet, Web interface, or SNMP interface for the switch. To setup an IP address:

```
Please enter the IP address of the device (A.B.C.D):10.6.22.100
```

```
Please enter the IP subnet mask (A.B.C.D or nn):[255.255.255.224] (그 다음, IP 주소를 설정합니다. IP 주소는 기본 VLAN, (VLAN #2) 에 정의됩니다. 이는 스위치와 관련하여 텔넷, 웹 인터페이스 또는 SNMP 인터페이스에 액세스할 때 사용하는 IP 주소입니다. IP 주소를 설정하려면 : 장치의 IP 주소 (A.B.C.D) 를 입력하십시오 :10.6.22.100 IP 서브넷 마스크 (A.B.C.D 또는 nn) 를 입력하십시오 : [255.255.255.224])
```


마법사 4 단계

다음 정보가 표시됩니다:

Finally, setup the default gateway.

Please enter the IP address of the gateway from which this network is reachable (e.g. 192.168.1.1). Default gateway (A.B.C.D): [10.6.22.97] (마지막으로, 기본 게이트웨이를 설정합니다. 이 네트워크가 도달할 수 있는 게이트웨이의 IP 주소를 입력하십시오 (예: 192.168.1.1). 기본 게이트웨이 (A.B.C.D): [10.6.22.97])

기본 게이트웨이를 입력하십시오.

Enter 키를 누르십시오. (설명된 예의 매개변수에 따라) 다음의 정보가 표시됩니다:

This is the configuration information that has been collected:

(이는 수집된 구성 정보를 나타낸 것입니다 :)

```
=====
SNMP Interface = Dell_Network_Manager@0.0.0.0
User Account setup = admin
Password = *****
Management IP address = 10.6.22.100 255.255.255.224
Default Gateway is 10.6.22.97
=====
```

마법사 5 단계

다음 정보가 표시됩니다:

```
If the information is correct, please select (Y) to save the configuration, and copy to the start-up configuration file. If the information is incorrect,select (N) to discard configuration and restart the wizard: (Y/N) [Y] Y
```

Configuring SNMP management interface.

Configuring user account.....

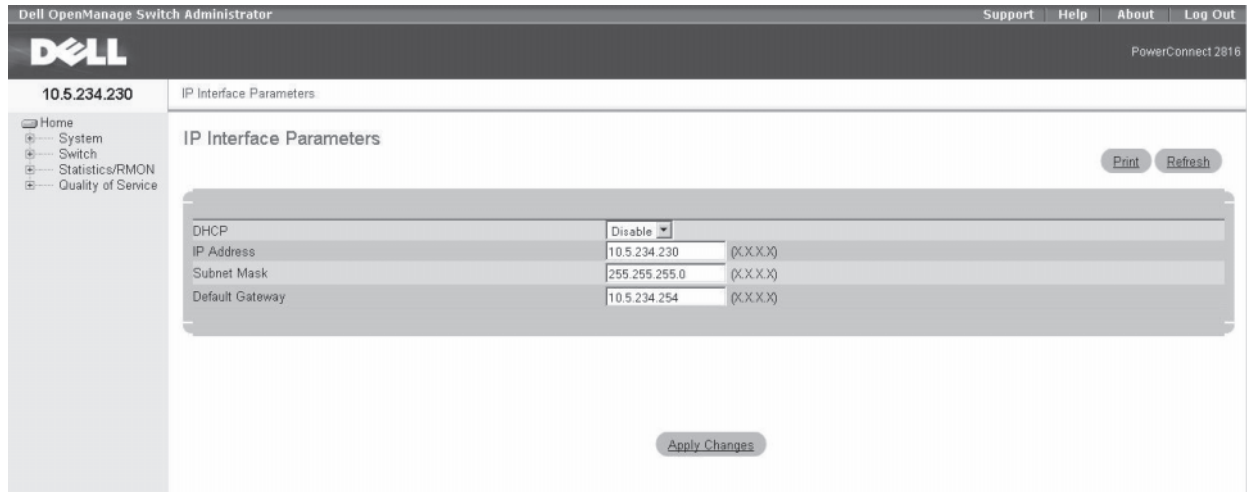
Configuring IP and subnet.....

Thank you for using Dell Easy Setup Wizard. (정보가 정확하면 (Y) 를 선택하여 구성을 저장하고 설치 구성 파일에 복사하십시오. 정보가 정확하지 않은 경우, (N) 을 선택하여 구성을 삭제하고 마법사를 재시작하십시오: SNMP 관리 인터페이스 구성. 사용자 계정 구성 IP 및 서브넷 구성 Dell 간편 설치 마법사를 이용해 주셔서 감사합니다.)

웹 구성

- 1 웹 사용자 인터페이스에서, 시스템 IP 주소 창을 엽니다.

그림 3-2. 웹 구성 사용자 인터페이스



- 2 IP 주소, 서브넷 마스크 및 기본 게이트웨이를 입력합니다.
- 3 변경사항 적용을 클릭합니다. 장치가 구성됩니다.

새로이 도입된 환경 친화적인 기능 : 그린 이더넷

그린 이더넷 (Green Ethernet) 기능은 네트워크 에너지 소비 문제를 해소시켜 줍니다. 그린 이더넷 절전 기술은 링크 다운(Link Down) 및 / 또는 단거리 도달범위 (Short Reach) 가 감지되면 자동으로 소비 전력을 감소시켜, 네트워크 무결성을 손상시키지 않으면서 네트워크가 포트 단위 별로 보다 적은 전력을 소비하므로 보다 환경 친화적입니다.

에너지 감지 (Energy-Detection) 및 단거리 도달점위 (Short-Reach) 모드가 기본값으로 활성화되어 있습니다.

규정사항

규정사항과 관련한 추가 정보는 www.dell.com 의 규정 준수 웹사이트를 방문하시기 바랍니다 : www.dell.com/regulatory_compliance.

informaci?n NOM (?nicamente para M?xico)

La informaci?n siguiente se proporciona en el dispositivo o dispositivos descritos en este documento, en cumplimiento con los requisitos de la Norma oficial mexicana (NOM):

Exportador:	Dell Inc. One Dell Way Round Rock, TX 78682
Importador:	Dell M?xico, S.A. de C.V. Paseo de la Reforma 2620 - 11? Piso Col. Lomas Altas 11950 M?xico, D.F.
Enviar a:	Dell M?xico, S.A. de C.V. al Cuidado de Kuehne & Nagel de M?xico S. de R.L. Avenida Soles No. 55 Col. Pe?on de los Ba?os 15520 M?xico, D.F.

Dell PowerConnect™

Modelo	Voltaje de alimentaci?n	Frecuencia	Consumo el?ctrico
2808	100-240 VAC	50-60 Hz	0.75 A
2816	100-240 VAC	50-60 Hz	0.75 A
2824	100-240 VAC	50-60 Hz	1 A
2848	100-240 VAC	50-60 Hz	1.8 A

Informa??o sobre ?rg?o Regulador

A marca de certifica??o se aplica a este Equipamento de Rede de Dados
Para maiores consultas sobre ANATEL visite o site: www.anatel.gov.br

Dell™ PowerConnect™ 28xx システム はじめに

メモ、注意、警告



メモ：デバイスを使いやすくするための重要な情報を説明しています。



注意：ハードウェアの損傷やデータの損失の可能性を示し、その危険を回避するための方法を説明しています。



警告：物的損害、けが、または死亡の原因となる可能性があることを示しています。

この文書の情報は、事前の通知なく変更されることがあります。
? 2008 すべての著作権は Dell Inc. にあります。

Dell Inc. の書面による許可のない複製は、いかなる形態においても厳重に禁じられています。禁止されています。

この文書に使用されている商標について：Dell、Dell OpenManage、DELL のロゴ、Inspiron、Dell Precision、Dimension、OptiPlex、PowerConnect、PowerApp、PowerVault、Axim、DellNet、および Latitude は Dell Inc. の商標です。Microsoft および Windows は Microsoft Corporation の登録商標です。

この文書では、上記記載以外の商標や会社名が使用されている場合があります。これらの商標や会社名は、一切 Dell Inc. に帰属するものではありません。

目次

1 設置	
概要	215
設置場所の準備	215
取り付け場所の要件	215
開梱	216
パッケージの内容	216
デバイスの開梱	216
2 デバイスの取り付け	
概要	217
取り付け前の注意事項	217
デバイスラックの取り付け	218
平らな面への設置	218
壁面への取り付け	219
デバイスと電源ユニットの接続	220
3 デバイスの起動および設定	
管理モード	223
ネットワークへのデバイスの接続	223
ターミナルとデバイスの接続	224
デバイスの起動 - 管理モード	225
初期設定 - 管理モード	225
ウェブ設定	230
新しく取り入れられた環境にやさしい機能: グリーンイーサネット	230
認可機関の情報	231
información NOM (únicamente para México)	231
Informação sobre Órgão Regulador	231

設置

概要

この文書は、ウェブ管理ギガビットイーサネットスイッチである、次の PowerConnect 2800 シリーズのインストールおよび使用開始の方法に関する、基本的な情報を提供します。

- PowerConnect 2808
- PowerConnect 2816
- PowerConnect 2824
- PowerConnect 2848

PowerConnect 2800 シリーズは、次のようなワークステーションおよびその他のネットワークデバイスの接続に使用できます。

- サーバー
- ハブ
- ルーター

PowerConnect デバイスは、基本的にはハイパフォーマンスの末端接続が要求される、小企業 / ホームオフィス (SOHO) 用です。PowerConnect デバイスはハイパフォーマンスのネットワーク接続と高度なウェブ管理機能が要求される中小企業に最適です。PowerConnect 管理機能は、ネットワークトラフィックの制御を向上しながら、管理者の処理負担を最小に抑えるように設計されています。

スイッチは工場から非管理モードで出荷されます。ユーザーがスイッチを非管理スイッチとして使用する場合は、スイッチを接続するだけですぐに使用を開始できます。設定は必要ありません。そのユーザーがスイッチを管理スイッチとして使用する場合は、マニュアル CD に収録されている Dell™ PowerConnect™ 2800 シリーズユーザーズガイドで説明されているようにモードを非管理から管理へ変更する必要があります。あるいは、デルのウェブサイト www.support.jp.dell.com で最新のマニュアルおよびソフトウェアのアップデートをご覧ください。

設置場所の準備

取り付け場所の要件

PowerConnect 2808/16/24/48 デバイスは標準の装置用ラック、卓上、または壁面に取り付けることができます。

デバイスを取り付ける前に、デバイスの設置場所が次の設置場所要件に適合していることを確認してください。

- 電源 — デバイスはアクセスが容易な接地された 220/110 VAC, 50/60 Hz のコンセントから 1.5 m 以内に取り付けられること。デバイスに 2 つの電源装置がある場合、取り付け場所に別個の給電線からの 2 つのコンセントがあること。
- 一般 — 電源ユニットが適切に取り付けられていること。

- スペース — オペレータが作業できるように前面に十分なスペースがあること。配線、電源接続、および換気用のスペースを確保すること。
- ケーブリング — ケーブルは、無線機、通信用の増幅器、電線、および蛍光灯のような電氣的なノイズを避けて配線すること。
- 環境要件 — デバイス動作環境温度の範囲は相対湿度最大 95%（結露しないこと）で 0 ~ 45 °C です。水や湿気がデバイスケースに入らないことを確認してください。

開梱

パッケージの内容

デバイスを開梱し、次の部品が揃っていることを確認します。

- デバイス
- AC 電源ケーブル
- 粘着ゴムパッド（棚設置用）
- ラック設置用取り付けキット
- マニュアル CD
- 製品情報ガイド

デバイスの開梱

デバイスの開梱は次の手順を実行します。



メモ：デバイスを開梱する前に、梱包を確認し、損傷がある場合はご連絡ください。

- 1 平らで清潔な面に箱を置きます。
- 2 箱を開けるか、箱のフタを取り外します。
- 3 デバイスを梱包から慎重に取り出し、安全で清潔な場所に置きます。
- 4 すべての梱包材を取り外します。
- 5 製品に損傷がないか調べます。損傷がある場合は、すぐにご連絡ください。


デバイスの取り付け

概要

以下の取り付け手順は、PowerConnect 2808/16/24/48 デバイ스에適用されます。デバイスの取り付け方法には 3 つのオプションがあります。

- ラックへの取り付け
- 水平面への設置
- 壁面への取り付け

取り付け前の注意事項

 **注意。** 以下に挙げる手順を実行する前に、『製品情報ガイド』の安全にお使いいただくための注意を読み、従ってください。

 **注意。** 本項の手順を開始する前に、以下の点を確認してください。

- デバイスのぐらつきや落下を防ぐため、デバイスを設置するラックまたはキャビネットがしっかり固定されていることを確認します。
- 電源回路が適切にアースされていることを確認します。
- サービスマークに注意して、その指示に従います。システムマニュアルに記載されている以外の部品には触れないでください。稲妻の絵の三角形の記号が付いたカバーを開閉しないでください。感電の危険性があります。トレーニングを受けたサービス技術者以外の方は、これらの部品には触れないでください。
- 電源ケーブル、拡張ケーブル、またはプラグに損傷がないことを確認します。
- デバイスが水に濡れていないことを確認します。
- デバイスの近くに放熱器や熱源器がないことを確認します。
- 冷却用の通気孔が塞がれていないことを確認します。
- デバイスの中に異物を入れないでください。火事や感電の危険性があります。
- デバイスは必ずデル認定機器とともに使用してください。
- カバーを外したり、内部の部品に触れるときは、デバイスが充分冷えるまでお待ちください。
- デバイスが、電源回路、配線、および過電流保護に負荷をかけ過ぎていないことを確認します。電源回路に負荷がかかり過ぎていどうかを判断するには、デバイスと同じ回路に取り付けたすべてのデバイスの定格電流を足し算します。この合計値と回路の定格制限値を比較します。
- 動作時の周囲温度が 40 °C を超える可能性のある環境には、デバイスを取り付けしないでください。
- デバイスの前面、側面、および背面の周りに通気を妨げるものがないことを確認します。

デバイスラックの取り付け

⚠ 警告：製品情報ガイドとあわせて、デバイスに接続するまたはサポートする他のデバイスの安全にお使いいただくための注意事項をお読みください。

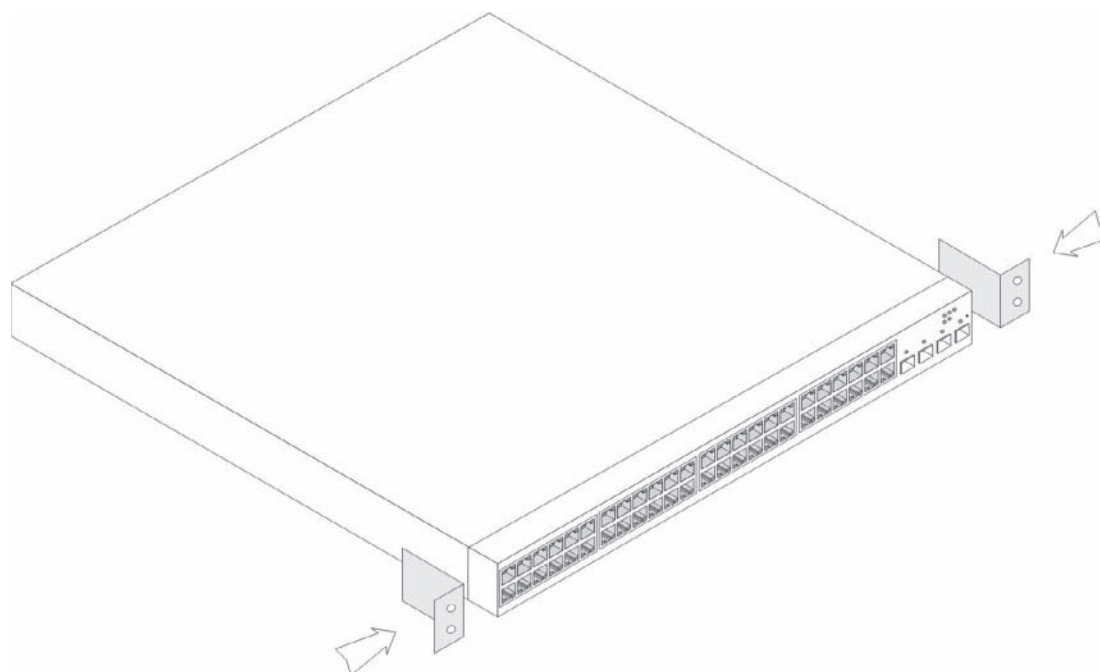
⚠ 警告：デバイスをラックまたはキャビネットに取り付ける前に、デバイスからすべてのケーブルを外します。

⚠ 警告：ラックに複数のデバイスを取り付ける場合は、ラックの下から上へデバイスを順に取り付けてください。

以下の手順に従ってデバイスをラックに取り付けます。

- 1 付属のラック取り付けブラケットを、デバイスの片方の側面に取り付けます。デバイスの取り付け穴がラック取り付けブラケットの取り付け穴と揃っていることを確認してください。次の図は、ブラケットの取り付け位置を示しています。

図 2-1. ラック取り付け用ブラケットのインストール



- 2 付属のネジをラック取り付け穴に挿入して、ドライバでネジを締めます。
- 3 この手順を繰り返して、ラック取り付けブラケットをデバイスのもう片方の側面にも取り付けます。
- 4 デバイスのラック取り付け穴がラックの取り付け穴と揃うように、デバイスをラックに挿入します。
- 5 ラックネジ（付属していません）でデバイスをラックに固定します。ラックに固定する際、先に下側のネジを締めてから上側のネジを締めます。通気孔が塞がれていないことを確認します。

平らな面への設置

ラックに設置しない場合、デバイスは平らな面に設置する必要があります。設置する面は、デバイスとデバイスケーブルの重量に耐えられなければなりません。

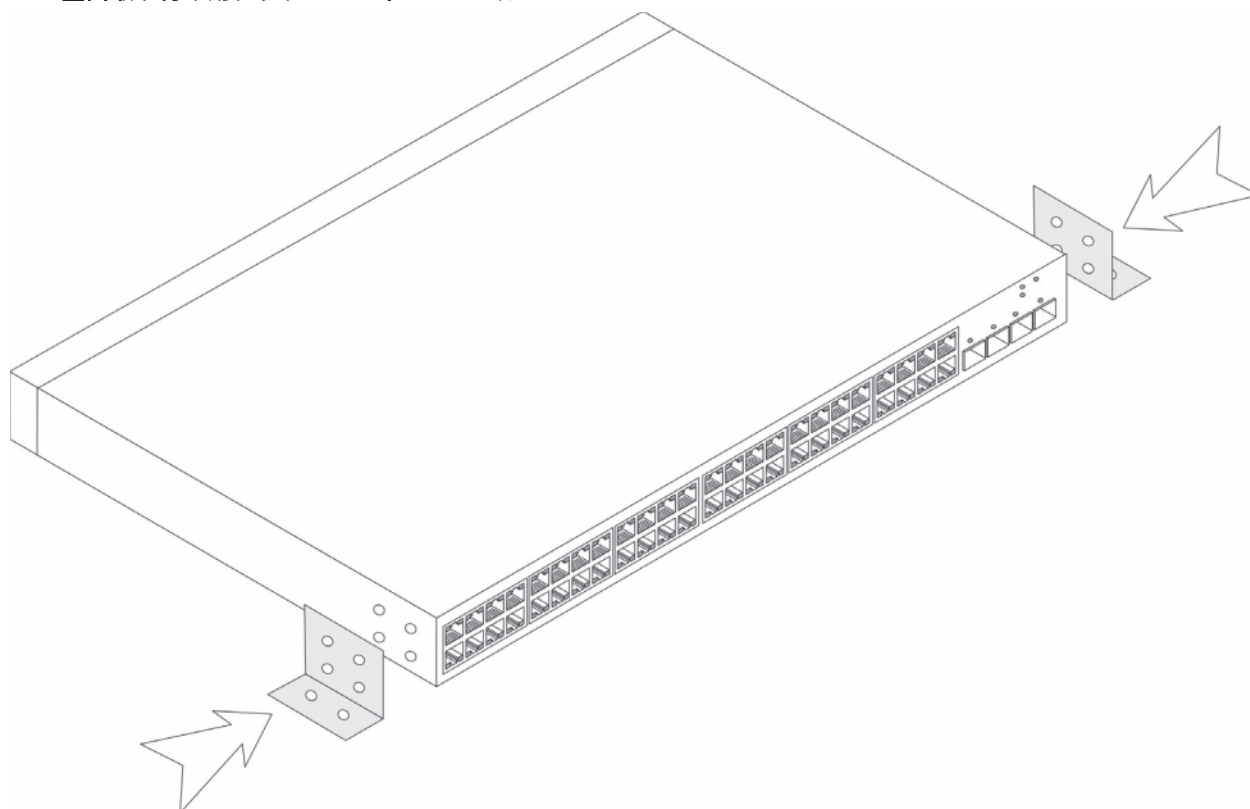
- 1 粘着ゴムパッド（デバイスに付属）をシャーシの各印の場所に貼り付けます。
- 2 両側面に 5.08 cm、背面に 12.7 cm のすきまを開けてデバイスを平らな場所に置きます。
- 3 デバイスの通気孔がふさがれていないことを確認します。

壁面への取り付け

デバイスを壁面に取り付けるには、次の手順を実行します。

- 1 取り付け位置が次の要件を満たしていることを確認します。
 - 壁面にデバイスの重量を支えるのに十分な強度があること。
 - 適切な通気のため少なくとも両側面に 5.1 cm、背面には電源ケーブルの余裕に 12.7 cm を確保します。
 - 取り付け場所に直射日光が当たらないこと。
 - 取り付け場所は暖房用排気口から最低 61 cm 離れていること、また局部暖房の排気口がデバイスの方向を向いていないこと。
 - 取り付け場所は、温度が高くなるないように換気されていること。
 - デバイスをデータケーブルまたは電気配線の近くに置かないこと。
 - 電源ケーブルがコンセントに届くこと。
- 2 付属の壁面設置用ブラケットを、デバイスの片方の側面に取り付けます。デバイスの取り付け穴がラック取り付けブラケットの取り付け穴と揃っていることを確認してください。次の図は、ブラケットの取り付け位置を示しています。

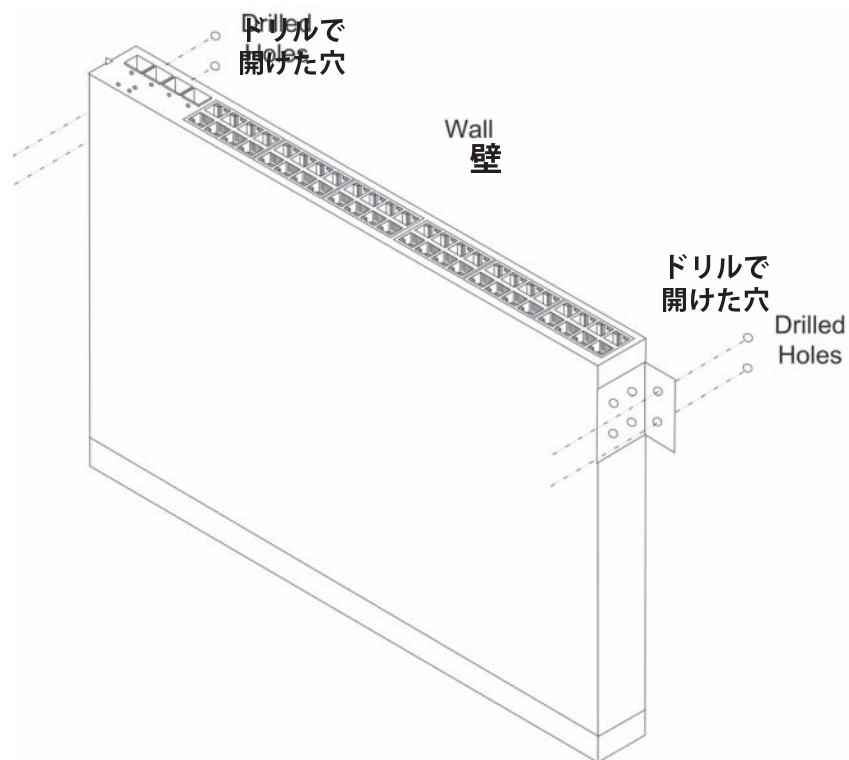
図 2-2. 壁面取り付け用ブラケットのインストール



- 3 付属のネジをラック取り付け穴に挿入して、ドライバでネジを締めます。
- 4 この手順を繰り返して、壁面設置用ブラケットをデバイスのもう片方の側面にも取り付けます。

- 5 デバイスを取り付ける壁面の位置にデバイスを合わせます。
- 6 壁面のデバイスを固定するネジ穴を設ける位置に印をつけます。
- 7 印を付けた位置にドリルで穴を開け、すべての穴にプラグ（含まれていません）を差し込みます。
- 8 デバイスをネジ（含まれていません）で壁に固定します。通気孔が塞がれていないことを確認します。

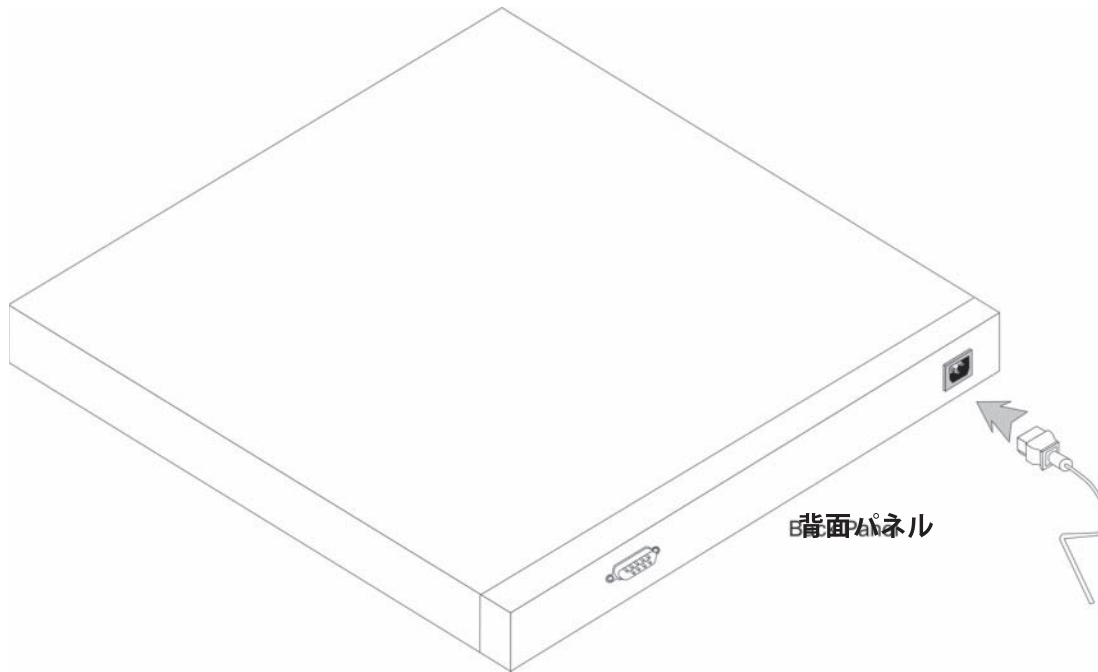
図 2-3. デバイスの壁面への取り付け



デバイスと電源ユニットの接続

- 1 付属の標準 AC 電源ケーブルは、背面パネルの AC コネクタに接続します。
- 2 この段階では、電源ケーブルをアースされた AC コンセントに接続しないでください。デバイスの起動および設定で詳細に説明されている手順でデバイスを電源に接続します。

図 2-4. 電源装置への接続



- 3 デバイスを電源に接続したら、デバイスが正しく接続され、動作していることを前面パネルの LED で確認します。

デバイスの起動および設定

すべての外付け接続を完了したら、次の手順に進みます。

- デバイスが非管理スイッチとして使用される場合、ターミナル接続の必要はありません。
- デバイスが管理モードで使用される場合はターミナル接続が必要です。



メモ：PowerConnect 2808 には内蔵シリアルポートが装備されています。

詳細機能については、マニュアル CD に収録されている『Dell™ PowerConnect™ 2800 ユーザーズガイド』を参照してください。



メモ：手順を開始する前に、この製品のリリースノートをお読みください。リリースノートは、<http://support.jp.dell.com> からダウンロードできます。



メモ：デルサポートサイト (<http://support.jp.dell.com>) からユーザーマニュアルの最新版をダウンロードされることをお勧めします。

管理モード

PowerConnect 2808/16/24/48 には前面パネルにモード押しボタンがあります。モードボタンは管理と非管理モードの切り替えをしたり、セキュアから管理モードへ変えることができます。管理モードに関する詳細な説明は、マニュアル CD の『Dell™ PowerConnect™ 2800 ユーザーズガイド』を参照してください。

ネットワークへのデバイスの接続

アップリンクポートに接続する際は、両端に RJ-45 コネクタが付いたカテゴリ 5 のシールドなしツイストペア (UTP) ケーブルを使用します。イーサネットデバイスの RJ-45 ポートは、オートネゴシエーションモードでのメディア依存インタフェース / メディア依存インタフェースクロス結線 (MDI/MDIX) の自動処理をサポートします。標準のストレートスルーツイストペアケーブルは、オートネゴシエーションをサポートするその他のイーサネットネットワーク (システム、サーバー、スイッチ、またはルーター) の接続に使用できます。



メモ：電話のジャックコネクタを RJ-45 ポートに差し込まないでください。イーサネットデバイスを損傷します。FCC 標準に準拠した RJ-45 コネクタ付きツイストペアケーブル以外は使用しないでください。



メモ：ポートのオートネゴシエーションがオフになっている場合は、ストレートケーブルを使用する必要があります。

ネットワークへの接続は、次の手順を実行します。

- 1 ツイストペアケーブルの片方の端をイーサネットデバイスの RJ-45 コネクタに接続し、他方の端をスイッチまたはサーバーに接続します。
- 2 ツイストペアケーブルの長さが 100 メートルを超えないようにしてください。

それぞれが接続されると、デバイスの各ポートに対応するリンク LED が点灯 (緑色または橙色) し、接続が正しいことを示します。

ターミナルとデバイスの接続

28016/24/48 モデルのデバイスは、外付けコンソールポートを提供します。コンソールポートは、デバイスの監視と設定を行うターミナルエミュレーションソフトウェアを実行する、ターミナルデスクトップシステムへの接続を可能にします。


このコンソールポートコネクタは DB-9 オスコネクタで、DTE (Data Terminal Equipment) コネクタとして実装されています。

コンソールポートを使用するには、次のものがが必要です。

- VT100 互換のターミナルまたはデスクトップ、もしくは VT100 ターミナルエミュレーションソフトウェアを実行しているシリアルポート搭載のノートブック
- コンソールポート用の DB-9 メスコネクタと、ターミナル用の適切なコネクタが付いている RS-232 クロスケーブル

デバイスのコンソールポートにターミナルを接続するには、次の手順を実行します。

- 1 付属の RS-232 クロスケーブルを、VT100 ターミナルエミュレーションソフトウェアを実行しているターミナルに接続します。
- 2 ターミナルエミュレーションソフトウェアを次のように設定します。
 - a コンソールに接続する適切なシリアルポート (シリアルポート 1 またはシリアルポート 2) を選択します。
 - b データ速度を 9600 ボーに設定します。
 - c データ形式を、データビット 8、ストップビット 1、パリティなしに設定します。
 - d フロー制御を none (なし) に設定します。
 - e Properties (プロパティ) で、VT100 for Emulation (VT100 のエミュレーション) モードを選択します。
 - f Function key (ファンクションキー)、Arrow key (矢印キー)、および Ctrl key (Ctrl キー) として使用する Terminal keys (ターミナルキー) を選択します。設定が (Windows keys (Windows キー) ではなく) Terminal keys (ターミナルキー) であることを確認してください。

 **注意:** Microsoft® Windows 2000、Windows XP、または Windows Vista でハイパーターミナルを使用する場合は、必ず最新の Service Pack がインストールされていることを確認してください。Windows 2000 Service Pack 2 を使用すると、ハイパーターミナルの VT100 エミュレーションで矢印キーが正しく機能します。Windows 2000、Windows XP、および Windows Vista Service Pack に関する情報は www.microsoft.com を参照してください。

- 3 RS-232 クロスケーブルのメスコネクタをデバイスのデバイスコンソールポートに直接接続し、固定ボルトを締めます。PowerConnect 2800 シリーズコンソールポートは背面パネルにあります。

図 3-1. PowerConnect 2800 シリーズコンソールポートの接続



デバイスの起動 - 管理モード

本項で説明されている手順は、デバイスを管理スイッチとして使用する場合に限りです。PowerConnect 2808/16/24/48 モデルにはビルトインの兼用ボタンが装備されています。管理と非管理モードの切り替えは、モードボタンを 7 秒より短い間押し続けます。

デバイスが管理スイッチとして動作するように設定されると、以下のように起動順序を接続ターミナルで監視することができます。

- 1 デバイスコンソールポートと VT100 ターミナルデバイスまたは VT100 ターミナルエミュレータが RS-232 クロスケーブルで接続されていることを確認します。
- 2 AC 電源ソケットの位置を確認します。
- 3 AC 電源ソケットを無効にします。
- 4 デバイスを AC 電源ソケットに接続します。
- 5 AC 電源ソケットを有効にします。

ローカルターミナルが接続されている状態で電源をオンにした場合、デバイスでは POST (Power-On Self-Test) が実行されます。POST はデバイスを取り付けるたびに実行されます。POST ではハードウェアコンポーネントがチェックされ、起動が完了する前にデバイスが完全に動作可能な状態かどうかを確認されます。重大な問題が検出された場合は、プログラムフローの実行が停止します。POST が正常に終了した場合は、有効な実行可能イメージが RAM にロードされます。ターミナルに POST のメッセージが表示され、テストの成功または失敗を示します。

起動プロセスにかかる時間は、非管理モードでは 45 秒より短く、その他のモードでは約 90 秒です。

初期設定 - 管理モード

本項で説明されている情報と手順は、デバイスを管理モードスイッチとして使用する場合に限りです。

注意: スイッチは工場出荷時の設定で非管理モードになっています。デバイス設定の完全な説明は『Dell™ PowerConnect™ 28xx システムユーザーガイド』の第 4 章、「デバイスの起動および設定」を参照してください。

メモ: 簡単な初期設定は、次の想定で実施されます。

- PowerConnect デバイスが以前に一度も設定されたことがなく、出荷時と同じ状態である。
- PowerConnect デバイスの起動が正常に終了した。
- コンソール接続が確立されており、VT100 ターミナルデバイスの画面にコンソールプロンプトが表示されている。(<Enter> キーを数回押して、プロンプトが正しく表示されることを確認してください。)

デバイスの初期設定は、シリアルポート経由で行われます。初期設定が終了した後、デバイスを接続済みのシリアルポートから管理するか、初期設定中に指定したインタフェース経由でリモートから管理することができます。

デバイスを初めて起動した場合、またはデバイスが設定されていないために設定ファイルが空の場合、ユーザーはセットアップウィザードを使用するよう求められます。セットアップウィザードの指示に従ってデバイスの初期設定を行うと、デバイスをすぐに動作可能な状態にすることができます。



メモ：デバイスの設定を行う前に、ネットワーク管理者から次の情報を入手してください。

- SNMP コミュニティ文字列および SNMP 管理システムの IP アドレス（オプション）
- ユーザー名およびパスワード
- デバイスの管理に使用する VLAN 1 インタフェースに割り当てられる IP アドレス（デフォルトで、すべての外付けポートおよび内蔵ポートは VLAN 1 のメンバーです）
- このネットワーク用の IP サブネットマスク
- デフォルトルートを設定するための、デフォルトゲートウェイ（ネクストホップルーター）の IP アドレス

セットアップウィザードの指示に従ってデバイスの初期設定を行うと、システムをすぐに動作可能な状態にすることができます。セットアップウィザードを省略して、デバイスの CLI モードでデバイスを手動で設定することも可能です。CLI を使用したデバイスの設定に関する説明は『PowerConnect 2800 シリーズ ユーザーズガイド』を参照してください。

セットアップウィザードでは、次のフィールドを設定します。

- SNMP コミュニティ文字列および SNMP 管理システムの IP アドレス（オプション）
- ユーザー名およびパスワード
- デバイスの IP アドレス
- IP サブネットマスク
- デフォルトゲートウェイの IP アドレス

セットアップウィザードは次の情報を表示します。

```
Welcome to Dell Easy Setup Wizard
```

```
The Setup Wizard guides you through the initial switch configuration, and gets you up and running as quickly as possible. You can skip the setup wizard, and enter CLI mode to manually configure the switch. The system will prompt you with a default answer; by pressing enter, you accept the default. You must respond to the next question to run the setup wizard within 60 seconds, otherwise the system will continue with normal operation using the default system configuration.
```

(Dell イージーセットアップウィザードへようこそ)

セットアップウィザードの指示に従ってスイッチの初期設定を行うと、すぐに動作可能な状態にすることができます。セットアップウィザードを省略し、CLI モードでスイッチを手動で設定することも可能です。システムはデフォルトの応答を表示します。Enter を押すとデフォルトを受け入れることになります。セットアップウィザードを実行するには、次の質問に 60 秒以内に応答する必要があります。そうしない場合、システムはデフォルトのシステム設定を使用して通常の操作を続行します。)

Would you like to enter the Setup Wizard (you must answer this question within 60 seconds)? (Y/N) [Y]Y (セットアップウィザードを開始しますか (60 秒以内にこの質問に回答する必要があります)。 (Y/N) [Y]Y)

メモ: セットアップウィザードを使用しない場合、デフォルトの IP アドレス / マスク (192.168.2.1/255.255.255.0) を使用してウェブインタフェースにアクセスできます。

メモ: [Ctrl+Z] を入力していつでもセットアップウィザードを終了できます。

ウィザード手順 1

次の情報が表示されます。

The system is not setup for SNMP management by default. (システムはデフォルトで SNMP 管理用に設定されていません。)

To manage the switch using SNMP (required for Dell Network Manager) you can: (SNMP を使用してスイッチを管理する場合は (Dell Network Manager には必須) 以下が可能です。)

*Setup the initial SNMP version 2 account now. (初期 SNMP バージョン 2 を設定する。)

*Return later and setup additional SNMP v1/v2 accounts. (あとで追加の SNMP v1/v2 アカウントを設定する。)

For more information on setting up SNMP accounts, please see the user documentation. (SNMP アカウントの設定の詳細に関しては、ユーザーマニュアルを参照してください。)

Would you like to setup the SNMP management interface now? (Y/N) [Y]Y (SNMP マネージメントインタフェースを設定しますか。 (Y/N) [Y]Y)

省略して手順 2 に進む場合は、[N] を入力します。

セットアップウィザードを続行する場合は、[Y] を入力します。次の情報が表示されます。

To setup the SNMP management account you must specify the management system IP address and the "community string" or password that the particular management system uses to access the switch. The wizard automatically assigns the highest access level [Privilege Level 15] to this account.

(SNMP 管理アカウントを設定するには、特定の管理システムがスイッチにアクセスするために使用する管理システムの IP アドレスと「コミュニティ文字列」またはパスワードを指定する必要があります。ウィザードはこのアカウントに、最高のレベルである [権限レベル 15] を自動的に割り当てます。)

You can use Dell Network Manager or CLI to change this setting, and to add additional management systems. For more information on adding management systems, see the user documentation.

(Dell Network Manager または CLI を使用してこの設定を変更したり、管理システムを追加することもできます。管理システムの追加に関する詳細はユーザーマニュアルを参照してください。)

To add a management station: (管理ステーションを追加するには:)

Please enter the SNMP community string to be used: (使用する SNMP コミュニティ文字列を入力してください。) [Dell_Network_Manager]

Please enter the IP address of the Management System (A.B.C.D) or wildcard(0.0.0.0) to manage from any Management Station:[0.0.0.0] (管理システムの IP アドレス (A.B.C.D) を入力してください。または、任意の管理ステーション [0.0.0.0] から管理する場合はワイルドカード (0.0.0.0) を入力してください。)

ウィザード手順 2

次の情報が表示されます。

Now we need to setup your initial privilege (Level 15) user account. (初期権限 (レベル 15) のユーザーアカウントを設定する必要があります。)

This account is used to login to the CLI, Telnet and Web interface. (このアカウントは、CLI、Telnet およびウェブインタフェースのログインに使用されます。)

You may setup other accounts and change privilege levels later. (後で他のアカウントの設定および権限レベルの変更ができます。)

For more information on setting up user accounts and changing privilege levels, see the user documentation. (ユーザーアカウントの設定および権限レベルの変更に関する詳細はユーザーマニュアルを参照してください。)

To setup a user account: (ユーザーアカウントを設定するには:)

Enter the user name<1-20>:[admin] (ユーザー名を入力してください <1-20>:[admin])

Please enter the user password:***** (ユーザーパスワードを入力してください:*****)

Please reenter the user password:***** (ユーザーパスワードを再入力してください:*****)

ウィザード手順 3

次の情報が表示されます。

Next, an IP address is setup. (次に IP アドレスを設定します。)

The IP address is defined on the default VLAN, (VLAN #2). This is the IP address you use to access the Telnet, Web interface, or SNMP interface for the switch.To setup an IP address:

(IP アドレスはデフォルトの VLAN、(VLAN #2) に定義されています。これは、スイッチの Telnet、Web インタフェース、または SNMP インタフェースへのアクセスに使用する IP アドレスです。IP アドレスを設定するには、次の項目を入力します。)

Please enter the IP address of the device (A.B.C.D):10.6.22.100 (デバイスの IP アドレスを入力してください (A.B.C.D) :10.6.22.100)

Please enter the IP subnet mask (A.B.C.D or nn):[255.255.255.224] (IP サブネットマスクを入力してください (A.B.C.D または nn) :[255.255.255.224])

ウィザード手順 4

次の情報が表示されます。

```
Finally, setup the default gateway. (最後に、デフォルトゲートウェイを設定します。)
Please enter the IP address of the gateway from which this network is
reachable (e.g. 192.168.1.1). Default gateway (A.B.C.D): [10.6.22.97] (このネット
ワークに到達できるゲートウェイの IP アドレスを入力してください (例: 192.168.1.1)。デフォル
トゲートウェイ (A.B.C.D) :[10.6.22.97])
```

デフォルトゲートウェイを入力します。

Enter を押します。次のように表示されます (上記のパラメータ例を入力した場合)。

```
This is the configuration information that has been collected: (収集された設定
情報:)
```

```
=====
SNMP Interface = Dell_Network_Manager@0.0.0.0
User Account setup = admin
Password = *****
Management IP address = 10.6.22.100 255.255.255.224
Default Gateway is 10.6.22.97
=====
```

ウィザード手順 5

次の情報が表示されます。

```
If the information is correct, please select (Y) to save the configuration,
and copy to the start-up configuration file. If the information is incorrect,
select (N) to discard configuration and restart the wizard: (Y/N) [Y]Y
```

(この情報が正しい場合は (Y) を選択して設定を保存し、起動設定ファイルにコピーします。この情報が間違っている場合は、(N) を選択して設定を破棄し、ウィザードを再スタートしてください。)

```
Configuring SNMP management interface. (SNMP 管理インタフェースの設定)
```

```
Configuring user account..... (ユーザーアカウントの設定.....)
```

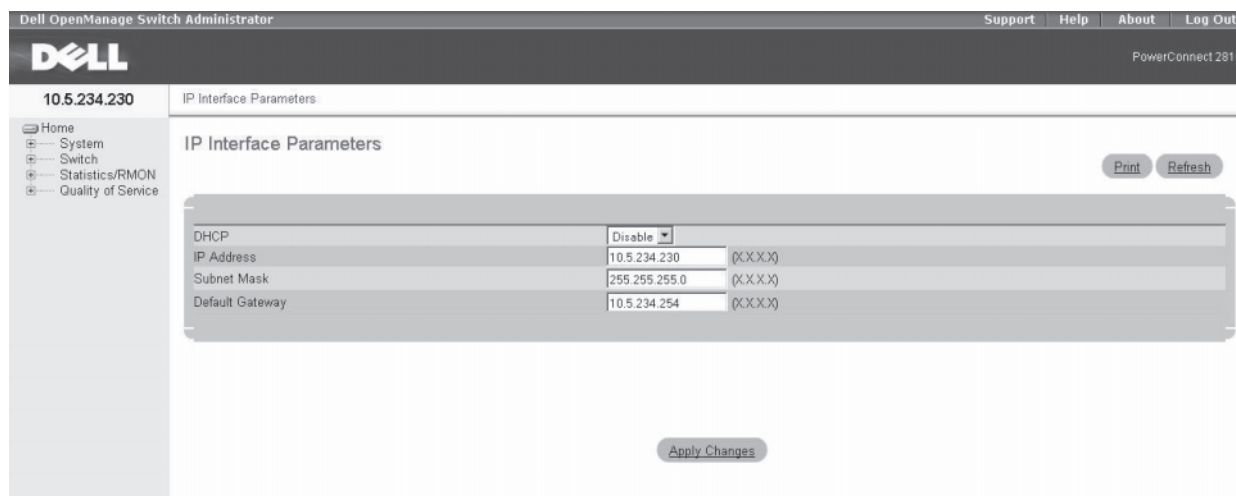
```
Configuring IP and subnet..... (IP およびサブネットの設定.....)
```

```
Thank you for using Dell Easy Setup Wizard. (Dell イージーセットアップウィザードを
ご利用いただきありがとうございました。)
```


ウェブ設定

- 1 ウェブユーザーインターフェイスで **System IP Address**（IP アドレス）ウィンドウを開きます。

図 3-2. ウェブ設定ユーザーインターフェイス



- 2 IP アドレス、サブネットマスク、およびデフォルトのゲートウェイを入力します。
- 3 **Apply Changes**（変更の適用）をクリックします。デバイスは設定されました。

新しく取り入れられた環境にやさしい機能：グリーンイーサネット

グリーンイーサネット機能はネットワークのエネルギー消費量を抑えます。グリーンイーサネット省エネテクノロジーは、リンクダウンおよび/またはショートリーチを検出したときに、自動的に電力消費量を抑え、ネットワークの整合性を損なうことなくネットワークのポートごとに使用される電力が減少するため、自然にやさしくなります。

エネルギー検知およびショートリーチモードはデフォルトで有効になっています。

認可機関の情報

認可機関の情報の詳細については、www.dell.com の認可機関の情報に関するホームページ (www.dell.com/regulatory_compliance) をご覧ください。

información NOM (únicamente para México)

La información siguiente se proporciona en el dispositivo o dispositivos descritos en este documento, en cumplimiento con los requisitos de la Norma oficial mexicana (NOM):

Exportador: Dell Inc.
One Dell WayRound Rock, TX 78682

Importador: Dell México, S.A. de C.V.
Paseo de la Reforma 2620 - 11° Piso
Col. Lomas Altas
11950 México, D.F.

Enviar a: Dell México, S.A. de C.V.
al Cuidado de Kuehne & Nagel de México S. de R.L.
Avenida Soles No. 55
Col. Peñon de los Baños
15520 México, D.F.

Dell PowerConnect™

Modelo	Voltaje de alimentación	Frecuencia	Consumo eléctrico
2808	100 ~ 240 VAC	50 ~ 60Hz	0.75 A
2816	100 ~ 240 VAC	50 ~ 60Hz	0.75 A
2824	100 ~ 240 VAC	50 ~ 60Hz	1 A
2848	100 ~ 240 VAC	50 ~ 60Hz	1.8 A

Informação sobre Órgão Regulador

A marca de certificação se aplica a este **Equipamento de Rede de Dados**
Para maiores consultas sobre ANATEL visite o site: www.anatel.gov.br

Dell™ PowerConnect™ 28xx Sistemleri

Başlangıç Kılavuzu

Notlar, Bildirimler ve Dikkat Notları



NOT: NOT, aygıtı daha iyi kullanmanıza yardımcı olan önemli bilgileri belirtir.



BİLDİRİM: BİLDİRİM, donanıma zarar gelme veya veri kaybı tehlikesini belirtir ve sorunun oluşmasını nasıl önleyeceğiniz hakkında bilgi verir.



DİKKAT: DİKKAT, mülke zarar gelme, kişisel yaralanma veya ölüm tehlikesini belirtir.

Bu belgedeki bilgiler önceden bildirilmeksizin değiştirilebilir.

© 2008 Dell Inc. Tüm hakları saklıdır.

Dell Inc. tarafından yazılı izin olmadan herhangi bir şekilde çoğaltılması kesinlikle yasaktır.

Bu metinde kullanılan ticari markalar: *Dell, Dell OpenManage, DELL* logosu, *Inspiron, Dell Precision, Dimension, OptiPlex, PowerConnect, PowerApp, PowerVault, Axim, DellNet* ve *Latitude*, Dell Inc. kuruluşunun ticari markalarıdır; *Microsoft* ve *Windows* ise Microsoft Corporation kuruluşunun tescilli ticari markalarıdır.

Belirli marka ile adların veya ürünlerin sahibi olan tüzel kişiliklere atıfta bulunmak üzere bu belgede başka ticari markalar ve ticari adlar kullanılmış olabilir. Dell Inc. kendisi dışındaki ticari markalar ve ticari adlara ilişkin herhangi bir sahiplik iddiasında bulunmamaktadır.

İçindekiler

1	Kurulum	
	Genel Bakış	237
	Montaj Yerini Hazırlama	237
	Montaj Yeri Koşulları	237
	Paketi Açma	238
	Paketin İçindekiler	238
	Aygıtı Paketten Çıkarma	238
2	Aygıtı Monte Etme	
	Genel Bakış	239
	Kurulum Uyarıları	239
	Aygıtın Rafa Kurulumu	240
	Düz Bir Yüzeye Kurma	241
	Duvara takma	241
	Aygıtı Güç Kaynağına Bağlama	243
3	Aygıtı Çalıştırma ve Yapılandırma	
	Yönetim Modları	245
	Aygıtı Ağa Bağlama	245
	Terminali Aygıtı Bağlama	246
	Aygıtı Başlatma - Yönetilen Modu	247
	Başlangıç Yapılandırması - Yönetilen Modu	247
	Web Yapılandırması	254
	Yeni Çıkan Çevre Dostu Özellik: Yeşil Ethernet	254
	Düzenleme Bildirimleri	255
	información NOM (únicamente para México)	255
	Informação sobre Órgão Regulador	255

Kurulum

Genel Bakış

Bu belgede aşağıdaki PowerConnect 2800 serisi, Web'den yönetilen Gigabit Ethernet anahtarlarını kurma ve çalıştırmaya başlama ile ilgili temel bilgiler verilmektedir:

- PowerConnect 2808
- PowerConnect 2816
- PowerConnect 2824
- PowerConnect 2848

PowerConnect 2800 serisi, iş istasyonlarını ve aşağıdaki bulunanlara benzer diğer ağ aygıtlarını bağlamak için kullanılabilir:

- Sunucular
- Hub'lar
- Yönlendiriciler

PowerConnect aygıtları öncelikle yüksek performanslı bağlantı gerektiren Küçük Ofis/Ev Ofis (SOHO) ortamları için tasarlanmıştır. Bu PowerConnect aygıtları, gelişmiş web yönetimi özellikleriyle birlikte yüksek performanslı ağ bağlantısı gerektiren küçük ve orta ölçekli işletmeler için idealdir.

PowerConnect yönetim özellikleri, ağ trafiği denetimini geliştirip iyileştirirken yönetim için harcanan çabaları en aza indirmek için tasarlanmıştır.

Anahtar, fabrikadan Yönetilmeyen Mod'da gelir. Kullanıcılar anahtarı yönetilmeyen anahtar olarak kullanmak isterse, anahtarı takıp hemen kullanmaya başlayabilirler. Herhangi bir yapılandırma gerekmez. Aynı kullanıcı anahtarı yönetilen anahtar olarak kullanmak isterse, yönetilmeyen modundan Yönetilen moduna geçmesi gerekir, bu işlem Dell™ PowerConnect™ 2800 Serisi Kullanıcı Kılavuzu'nda açıklanmıştır ve Belgeler CD'sinde bulunabilir. Ayrıca isterseniz, Dell destek web sitesine bakarak (www.support.dell.com) en yeniselgeler ve yazılım güncellemelerini edinebilirsiniz.

Montaj Yerini Hazırlama

Montaj Yeri Koşulları

PowerConnect 2808/16/24/48 aygıtları standart bir donanım rafına takılabilir, masaya yerleştirilebilir veya duvara monte edilebilir.

Aygıtı yüklemeye önce, aygıt için seçilen yerin aşağıdaki koşullara uyduğundan emin olun:

- **Güç** — Aygıt topraklanmış, kolayca erişilebilen bir 220/110 VAC, 50/60 Hz priz 1,5 m (5 fit) yakınında kurulmalıdır. Aygıtta iki güç kaynağı varsa, kurulduğu yerde de farklı elektrik besleyicisine sahip iki priz olmalıdır.
- **Genel** — Güç kaynağının doğru şekilde takıldığından emin olun.
- **Boşluk** — Operatörün çalışabilmesi için ön tarafta yeterli boşluk olmalıdır. Kablo sistemi, güç bağlantıları ve havalandırma için yeterli boşluk olmalıdır.
- **Kablo sistemi** — Kablo sistemi, elektrik paraziti yapan kaynaklardan (örneğin, radyo vericileri, yayın amfileri, elektrik hatları ve floresan aydınlatma sistemleri) uzakta olacak şekilde döşenmelidir.
- **Çevre Koşulları** — Birimin çalıştırılacağı ortam ısısı 0 - 45°C (32-113°F) arasında olmalıdır (%10-90, yoğunlaşmayan bağıl nem). Su veya nemin aygıtı kasasına girmeyeceğinden emin olun.

Paketi Açma

Paketin İçindekiler

Aygıtı paketinden çıkarırken, aşağıdaki öğelerin bulunduğundan emin olun:

- Aygıt
- AC güç kablosu
- Kendinden yapışkanlı kauçuk yastıklar (raf kurulumu için)
- Raf kurulumu için raf montaj seti
- Belgeler CD'si
- *Ürün Bilgileri Kılavuzu*

Aygıtı Paketten Çıkarma

PowerConnect aygıtını paketten çıkarmak için:



NOT: Aygıtı paketten çıkarmadan önce paketi inceleyin ve hasar varsa hemen bildirin.

- 1 Kutuyu temiz, düz bir yere koyun.
- 2 Kutuyu açın veya kutu kapağını çıkarın.
- 3 Aygıtı kutudan dikkatli bir şekilde çıkarın ve güvenli, temiz bir yüzeye koyun.
- 4 Tüm ambalaj malzemesini çıkarın.
- 5 Üründe hasar olup olmadığını kontrol edin. Hasar varsa hemen bildirin.

Aygıtı Monte Etme

Genel Bakış

Aşağıdaki montaj yönergeleri PowerConnect 2808/16/24/48 aygıtları içindir. Üç aygıt montaj seçeneği vardır:

- Rafa Montaj
- Düz Yüze Kurulum
- Duvara Montaj

Kurulum Uyarıları

⚠ DİKKAT: Aşağıdaki yordamları uygulamadan önce *Ürün Bilgileri Kılavuzu*'nda bulunan güvenlik yönergelerini okuyun ve uygulayın.

⚠ DİKKAT: Bu bölümdeki yordamları uygulamadan önce aşağıdaki noktalara dikkat edin:

- Aygıtın sallanıp düşmemesi için konacağı rafın veya kabinin yeterince güvenli olduğundan emin olun.
- Güç kaynağı devrelerinin gerektiği gibi topraklandığından emin olun.
- Servis uyarılarına uyun. Sistem belgelerinde belirtilenlerden başka bir biçimde bir aygıtı servis yaptırmayın. İçinde şimşek bulunan üçgen işaretli kapakları açmak veya çıkarmak elektrik çarpmasına neden olabilir. Bu bileşenlerin servisi yalnızca eğitimli servis teknisyenleri tarafından yapılır.
- Güç kablosunun, uzatma kablosunun ve/veya fişin sağlam olduğundan emin olun.
- Aygıtı suya maruz bırakmayın.
- Aygıtı radyatörlerin ve/veya ısı kaynaklarının yanına koymayın.
- Soğutma deliklerinin engellenmediğinden emin olun.
- Aygıtın içine yabancı cisim sokmayın, yangına veya elektrik çarpmasına neden olabilir.
- Aygıtı yalnızca onaylı donanımlarla kullanın.
- Kapakları çıkarmadan veya iç parçalara dokunmadan önce aygıtın soğumasını bekleyin.
- Aygıtın güç devrelerini, kablo sistemini ve aşırı akım koruması sağlayan araçları aşırı yüklememesini sağlayın. Güç kaynağı devrelerine aşırı yüklenme olup olmadığını anlamak için aygıtla aynı hatta bağlı tüm aygıtların amper değerlerini toplayın. Ve bu toplamı devrenin sınır değeriyle karşılaştırın.

- Aygıtı ortam sıcaklığının 40°C'yi (104°F) aşabildiği yerlere kurmayın.
- Aygıtın ön, yan ve arka tarafında hava akışının engellenmediğinden emin olun.

Aygıtın Rafa Kurulumu

⚠ DİKKAT: Ürün bilgileri Kılavuzundakilgüvenlik bilgilerini ve aygıta bağlanan veya onu destekleyen diğer aygıtların güvenlik bilgilerini okuyun.

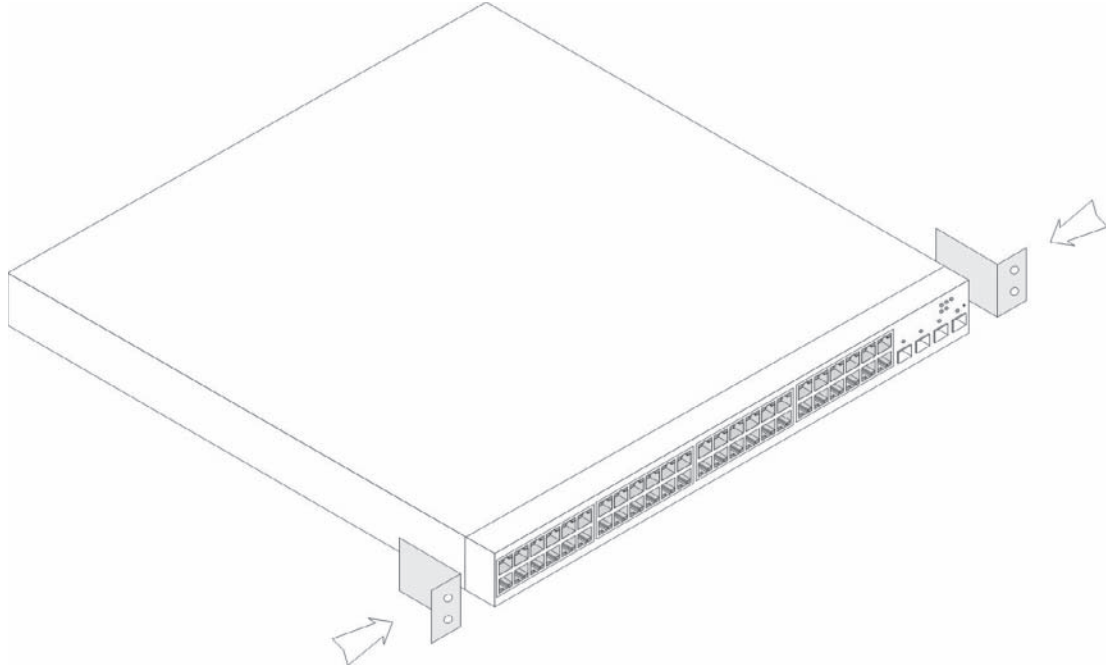
⚠ DİKKAT: Aygıtı bir rafa veya kabinemonte etmeden önce tüm kabloları çıkarın.

⚠ DİKKAT: bir rafa birden fazla aygıt monte edileceği zaman, aygıtları aşağıdan yukarı doğru monte edin.

Aygıtı rafa aşağıdaki gibi kurun:

- 1 Aygıttaki montaj deliklerini raf montaj köşebendinde bulunan deliklerle aynı hizaya getirerek, verilen raf montaj köşebendini aygıtın bir tarafına yerleştirin. Aşağıdaki resimde köşebentlerin nereye yerleştirileceği gösterilmektedir.

Şekil 2-1. Raf Montajı için Köşebendin Takılması



- 2 Verilen vidaları raf montaj deliklerine takıp bir tornavidayla sıkın.
- 3 Aygıtın diğer tarafında raf montaj köşebendi için bu işlemi tekrarlayın.
- 4 Aygıtı rafa yerleştirmek üzere aygıttaki raf montaj deliklerini raftaki montaj deliği ile aynı hizaya getirerek.
- 5 Raf vidalarını (ürünle verilmemiştir) kullanarak birimi rafa sabitleyin. Üstteki vidalardan önce alttakileri sıkın. Havalandırma deliklerinin engellenmediğinden emin olun.

Düz Bir Yüzeye Kurma

Aygıt rafa takılmayacaksa düz bir yüzeye kurulmalıdır. Yüzey aygıtın ve aygıt kablolarının ağırlığını taşıyabilmelidir.

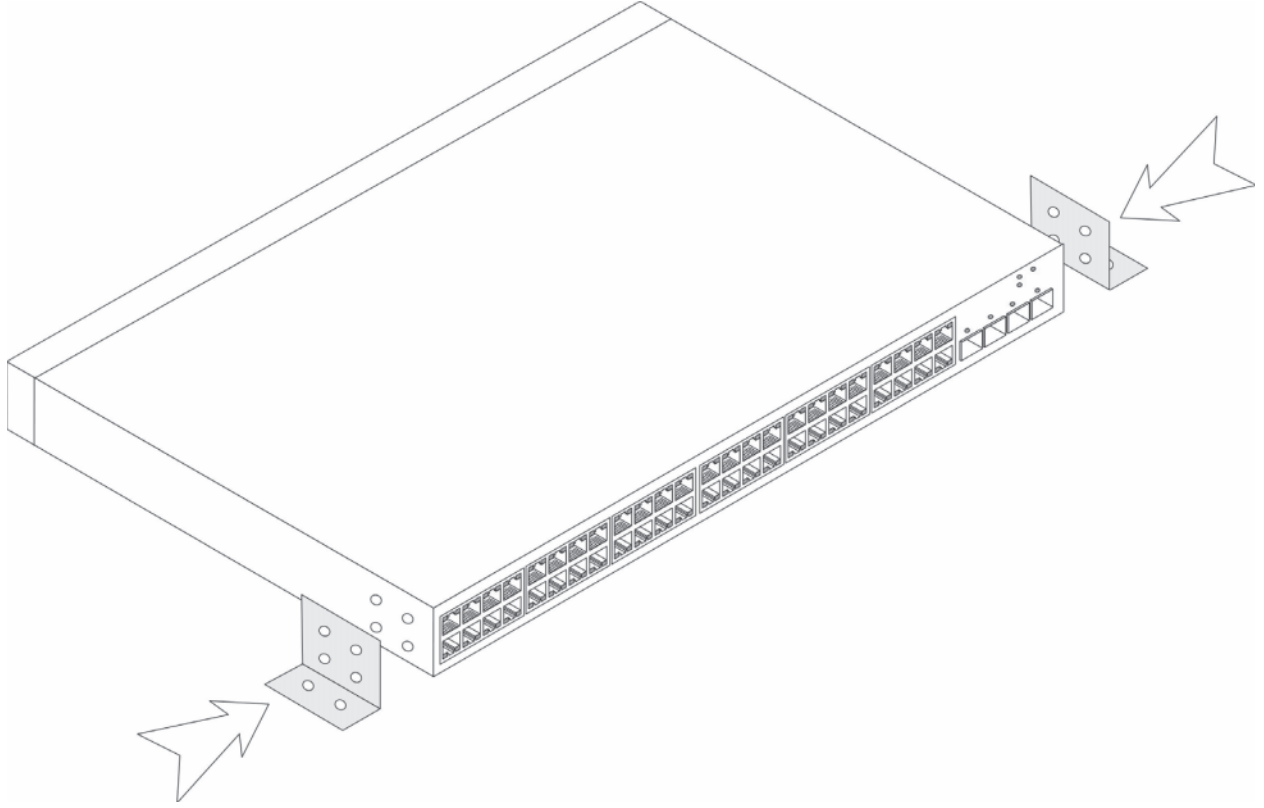
- 1 Yapışkanlı kauçuk ayakları (aygıtla birlikte verilmiştir) aygıt kasasının altındaki işaretli yerlere takın.
- 2 Aygıtı sabit bir yüzeye yerleştirin, yanlardan 5,08cm (2 inç), arka taraftan ise 12,7cm (5 inç) boşluk bırakın.
- 3 Aygıtın gerektiği gibi hava aldığından emin olun.

Duvara takma

Aygıtı bir duvara takmak için:

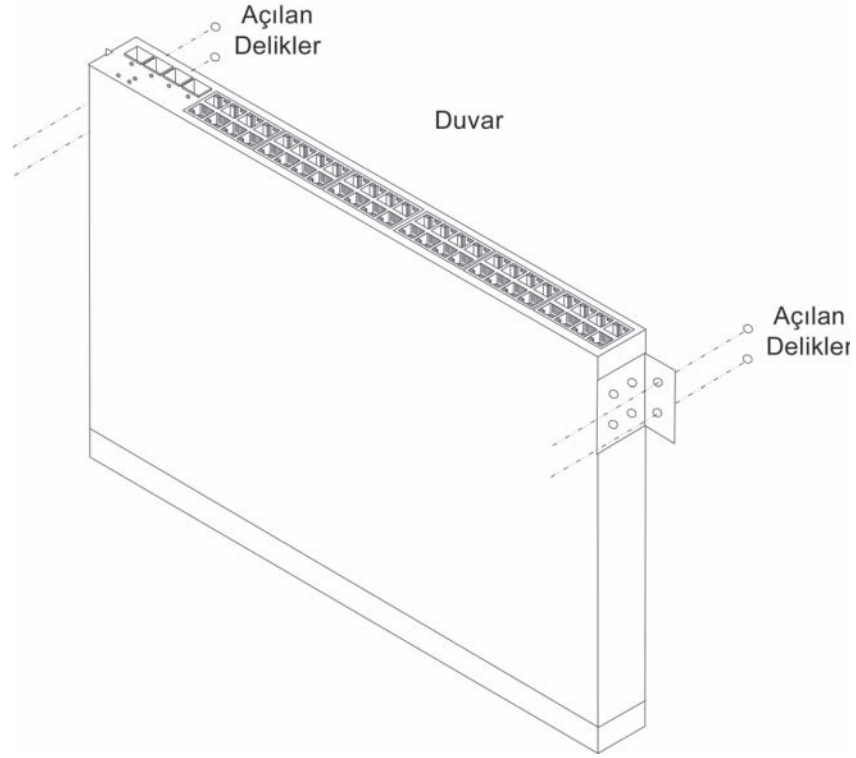
- 1 Montaj yerinin aşağıdaki koşullara uygun olduğundan emin olun:
 - Duvarın yüzeyi aygıtı taşıyabilmelidir.
 - Gerektiği gibi birhavalandırma olmasını sağlamak üzere yanlardan en az 5,1 cm (2 inç), arka taraftan ise güç kablosu için 12,7 cm (5 inç) bırakın.
 - Yer, doğrudan güneş ışığı almamalıdır.
 - Yer, herhangi bir ısı kaynağından en az 61 cm (2 fit) uzakta olmalı, oda ısıtma cihazları doğrudan birime bakıyor olmamalıdır.
 - Yer, ısınmaması için gerektiği gibi hava almalıdır.
 - Aygıtı veri veya elektrik kablolarının yakınlarına yerleştirmeyin.
 - Güç kablosu bir prize takılabilmelidir.
- 2 Verilen duvar montajı köşebendini aygıtın her iki tarafına takmak üzere, aygıttaki montaj deliklerini raf montaj delikleriyle hizalayın. Aşağıdaki resimde köşebentlerin nereye takılacağı gösterilmektedir.

Şekil 2-2. Duvara Montaj için Köşebent Takma



- 3** Verilen vidaları raf montaj deliklerine takın ve bir tornavidayla sıkın.
- 4** Duvara montaj köşebentleri için de aygıtın her iki tarafında bu işlemi tekrarlayın.
- 5** Aygıtı duvarda monte edileceği yere getirin.
- 6** Duvarda, aygıtı tutacak olan vidaların yerlerini işaretleyin.
- 7** İşaretli yerlerde delik açın ve tüm dübelleri (ürünle birlikte verilmemiştir) deliklere takın.
- 8** Aygıtı duvara vidalarla (ürünle birlikte verilmemiştir) sabitleyin. Havalandırma deliklerinin kapanmamasına dikkat edin.

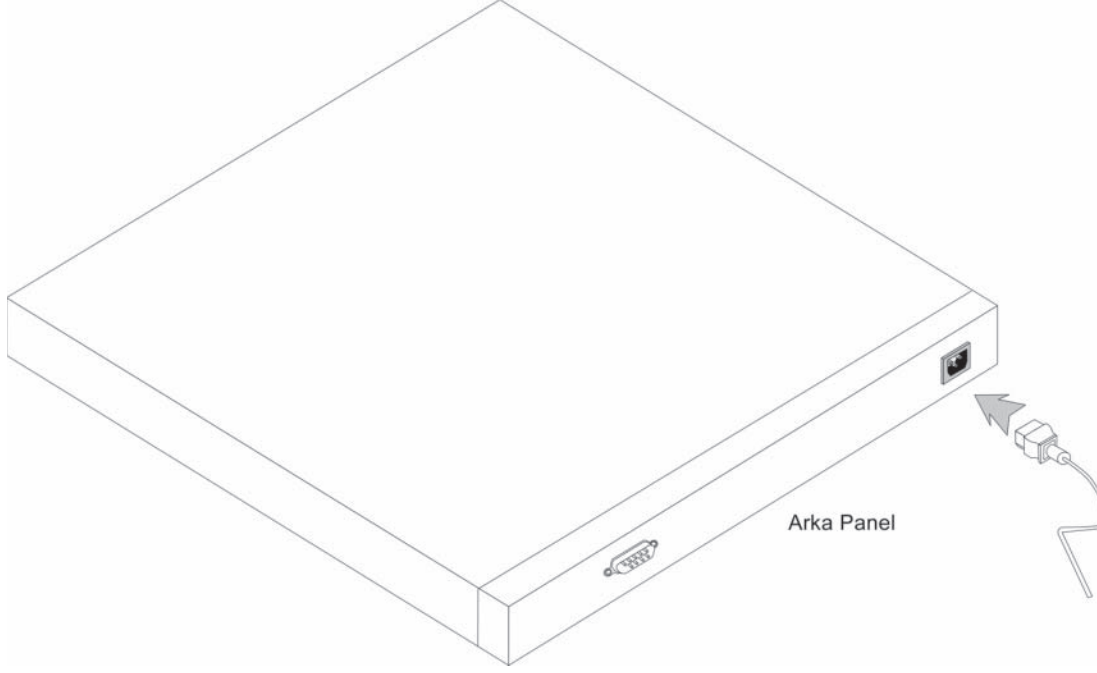
Şekil 2-3. Aygıtı Duvara Monte Etme



Aygıtı Güç Kaynağına Bağlama

- 1 Verilen standart AC güç kablosunu arka paneldeki AC konektörüne takın.
- 2 Bu noktada güç kablosunu topraklı bir AC prize takmayın. Aygıtı, Aygıtı Başlatma ve Yapılandırma bölümünde anlatılan adımları kullanarak bir güç kaynağına bağlayın.

Şekil 2-4. Güç Kaynağına Bağlama




- 3 Aygıtı bir güç kaynağına bağladıktan sonra, ön paneldeki LED'lere bakarak aygıtın bağlı olduğundan ve düzgün şekilde çalıştığından emin olun.


Aygıtı Çalıştırma ve Yapılandırma


Tüm harici bağlantıları yaptıktan sonra, aşağıdaki gibi devam edin:

- Aygıt yönetilmeyen anahtar olarak kullanılacaksa, terminal bağlantısına gerek yoktur.
- Terminal bağlantısı, aygıt yönetilen modda kullanılacaksa gereklidir.

 **NOT:** PowerConnect 2808'de dahili bir seri bağlantı noktası vardır.

Gelişmiş özellikler belgeler CD'sindeki *Dell™ PowerConnect™ 2800 Kullanıcı Kılavuzu*'nda açıklanmıştır.

 **NOT:** Devam etmeden önce, bu ürünün sürüm notlarını okuyun. Sürüm notları <http://support.dell.com> adresinden indirilebilir.


 **NOT:** <http://support.dell.com> adresindeki Dell destek web sitesinden kullanıcı belgelerinin en yeni sürümünü edinmeniz önerilir.

Yönetim Modları

PowerConnect 2808/16/24/48'in ön panelinde basılabilecek bir Mod düğmesi vardır. Mod düğmesi, Yönetilen ve Yönetilmeyen Mod arasında veya Güvenli moddan Yönetilen modlara geçiş sağlar. Yönetim Modlarının tam açıklaması için belgeler CD'sindeki *Dell™ PowerConnect™ 2800 Kullanıcı Kılavuzu*'na bakın.

Aygıtı Ağa Bağlama

Bir bağlantı noktasına bağlamak için her iki uçta RJ-45 konektörleriyle Kategori 5 Blendajsız Bükülü Çift (UTP) kablo kullanın. Ethernet aygıtındaki RJ-45 bağlantı noktaları otomatik Ortama Bağlı Arayüz/Otomatik İletişim modunda dahili aktarma kablo sistemiyle Ortama Bağlı Arayüz (MDI/MDIX) ile çalışmayı destekler. Otomatik iletişimi destekleyen diğer Ethernet ağlarına (sistemler, sunucular, anahtarlar veya yönlendiriciler) bağlantı için standart, doğrudan bağlantı sağlayan, bükülü çift kablolar kullanılabilir.

 **NOT:** Bir RJ-45 bağlantı noktasına telefon fişi takmayın. Aksi takdirde Ethernet aygıtı zarar görür. RJ-45 konektörleriyle, yalnızca FCC standartlarına uygun bükülü çift kablolar kullanın.

 **NOT:** Bağlantı noktalarında otomatik iletişim kapalıysa, doğrudan bağlantı kabloları kullanılmalıdır.

Aygıtı ağa bağlamak için:

- 1 Bükülü Çift kablunun bir ucunu aygıtın RJ-45 konektörüne, diğer ucunu bir anahtara veya sunucuya bağlayın.
- 2 Her bükülü kablo çiftinin 100 metreden (328 fit) fazla olmamasına dikkat edin.

Her bağlantı yapıldıkça, aygıttaki her bağlantı noktasına karşılık gelen mürekkep LED'i yanarak (yeşil veya sarı) bağlantının geçerli olduğunu belirtir.

Terminali Aygıtı Bağlama

Aygıt 28016/24/48 modellerde harici bir konsol bağlantı noktası sağlar. Konsol bağlantı noktası, aygıtı izlemek ve yapılandırmak için kullanılan terminal öykünme yazılımı çalıştıran bir terminal masaüstü sistemine bağlantı sağlar.

Konsol bağlantı noktası konektörü, veri terminali donanımı (DTE) konektörü olarak kullanılan bir DB-9 erkek konektördür.

Konsol bağlantı noktasını kullanmak için aşağıdakiler gerekir:

- Seri bağlantı noktalı ve VT100 terminal öykünme yazılımı çalıştıran, VT100 uyumlu terminal veya masaüstü ya da taşınabilir sistem.
- Konsol bağlantı noktası için DB-9 dişi konektör bulunan bir RS-232 aktarma kablosu ve terminal için uygun konektör.

Aygıtın Konsol bağlantı noktasına bir terminal bağlamak için aşağıdakileri yapın:

- 1 Verilen RS-232 aktarma kablosunu, VT100 terminal öykünme yazılımını çalıştıran terminale takın.
- 2 Terminal öykünme yazılımının aşağıdaki gibi ayarlandığından emin olun:
 - a Konsola bağlanmak için uygun seri bağlantı noktasını (seri bağlantı noktası 1 veya seri bağlantı noktası 2) seçin.
 - b Veri hızını 9600 baud olarak ayarlayın.
 - c Veri formatını 8 veri bit, 1 durak biti ve eşleme yok seçeneğine ayarlayın.
 - d Akış denetimini yok seçeneğine ayarlayın.
 - e Özellikler altında, Öykünme modu için VT100'ü seçin.
 - f İşlev, Ok ve Ctrl tuşları için Terminal tuşlarını seçin. Ayarın Windows tuşları için değil, Terminal tuşları için olduğundan emin olun.

BİLDİRİM: Microsoft® Windows 2000, Windows XP veya Windows Vista ile HyperTerminal'i kullanırken, en yeni hizmet paketlerini yüklediğinizden emin olun. Windows 2000 Service Pack 2 ile, ok tuşları HyperTerminal'in VT100 öykünmesinde düzgün şekilde çalışır. Windows 2000, Windows XP ve Windows Vista hizmet paketleriyle ilgili daha fazla bilgi için www.microsoft.com adresine gidin.

- 3 RS-232 aktarma kablosunun dişi konektörünü doğrudan aygıttaki Konsol bağlantı noktasına takın ve sabitleme vidalarını sıkın. PowerConnect 2800 serisi Konsol bağlantı noktası arka paneldedir.

Şekil 3-1. PowerConnect 2800 Serisi Konsol Bağlantı Noktasına Bağlama



Aygıtı Başlatma - Yönetilen Modu

Bu bölümde anlatılan yordamlar, aygıt yönetilen anahtar olarak çalıştırılmak üzere ayarlanacağı zaman geçerlidir. PowerConnect 2808/16/24/48 modellerinde, çift işlevli, yerleşik bir Mod Düğmesi vardır. Yönetilen ve yönetilmeyen modları arasında geçiş yapmak için yedi saniyeden az bir süre Mod Düğmesine basın.

Aygıt yönetilen anahtar olarak çalışacak şekilde ayarlandığında, başlatma yordamı bağlı terminalde aşağıdaki gibi izlenebilir:

- 1 Aygıtın konsol bağlantı noktasının bir VT100 terminal aygıtına veya RS-232 aktarma kablosu ile VT100 terminal öykünmesine bağlı olduğundan emin olun.
- 2 Bir AC elektrik prizi bulun.
- 3 AC elektrik prizini devre dışı bırakın.
- 4 Aygıtı AC elektrik prizine bağlayın.
- 5 AC güç prizini etkinleştirin.

Yerel terminal bağlı iken güç açılırsa, aygıt Power On Self Test (Açılış Sırasında Kendi Kendini Sınama) (POST) moduna geçer. POST, aygıt her çalıştırıldığında çalışır ve aygıtı tam olarak başlatmadan önce tam anlamıyla işleyip işlemediğini belirlemek için donanım bileşenlerini kontrol eder. Önemli bir sorun algılanırsa, program akışı durur. POST işlemi başarılı olursa, RAM'e geçerli bir yürütülebilir görüntü yüklenir. Terminalde POST iletileri görüntülenir ve testin başarılı veya başarısız olduğunu belirtir.

Başlatma işlemi, yönetilmeyen modunda yaklaşık 45 saniye, diğer modlarda 90 saniye çalışır.

Başlangıç Yapılandırması - Yönetilen Modu

Bu bölümde anlatılan bilgiler ve yordamlar, Yönetilen Mod anahtarı olarak çalıştırılmak üzere ayarlanacağı zaman geçerlidir.



BİLDİRİM: Anahtarın fabrikadan çıkış ayarı Yönetilmeyen Modur. Aygıt yapılandırmasının tam açıklaması için Dell™ PowerConnect™ 28xx Sistemleri Kullanıcı Kılavuzu, Bölüm 4, Aygıtı Başlatma ve Yapılandırma kısmına bakın.



NOT: Temel başlangıç yapılandırması aşağıdaki varsayımlara göre yapılır:

- PowerConnect aygıtı daha önce hiç yapılandırılmamıştır ve aldığınız durumdadır.
- PowerConnect aygıtı başarıyla başlatılmıştır.
- Konsol bağlantısı yapılmıştır ve bir VT100 terminal aygıtının ekranında konsol komut istemi görüntülenmiştir. (Komut isteminin düzgün şekilde görüntülediğini doğrulamak için <Enter> tuşuna birkaç defa basın.)

Başlangıç yapılandırması Seri bağlantı noktası kullanılarak yapılır. Başlangıç yapılandırmasından sonra, aygıt bağlı olan Seri bağlantı noktasından veya başlangıç yapılandırması sırasında tanımlanmış bir arayüz kullanılarak uzaktan yönetilebilir.

Aygıt ilk defa başlatılırken veya aygıt yapılandırılmadığı için yapılandırma dosyası boş olduğunda sistem, Kurulum Sihirbazını kullanmanızı önerir. Kurulum Sihirbazı başlangıç yapılandırmasında yol gösterir ve aygıtı olabildiğince hızlı şekilde başlatıp çalıştırır.



NOT: Aygıtı yapılandırmadan önce ağ yöneticinizden aşağıdaki bilgileri edinin:

- SNMP Topluluğu Dizesi ve SNMP Yönetim Sistemi IP adresi (isteğe bağlı).
- Kullanıcı Adı ve Parola.
- VLAN 1 arayüzüne atanacak ve aygıtın yönetilmesi için kullanılacak olan IP adresi (varsayılan olarak, her harici ve dahili bağlantı noktası VLAN 1'in üyesidir)
- Ağın IP alt ağ maskesi
- Varsayılan rotayı yapılandırmak için varsayılan ağ geçidi (bir sonraki atlama yönlendiricisi) IP adresi.

Kurulum Sihirbazı anahtar başlangıç yapılandırmasında size yol gösterir ve sistemi olabildiğince hızlı şekilde başlatıp çalıştırır. Kurulum sihirbazını kullanmayı atlayıp, aygıtın CLI modunu kullanarak aygıtı elle yapılandırabilirsiniz. CLI kullanarak aygıtı yapılandırma konusunda yardım için *PowerConnect 2800 Serisi Kullanıcı Kılavuzu*'na bakın.

Kurulum Sihirbazı aşağıdaki alanları yapılandırır.

- SNMP Topluluğu Dizesi ve SNMP Yönetim Sistemi IP adresi (isteğe bağlı)
- Kullanıcı Adı ve Parola
- Aygıt IP adresi
- IP alt ağ maskesi
- Varsayılan Ağ Geçidi IP adresi

Kurulum Sihirbazı aşağıdaki bilgileri görüntüler:

Welcome to Dell Easy Setup Wizard.

The Setup Wizard guides you through the initial switch configuration, and gets you up and running as quickly as possible. You can skip the setup wizard, and enter CLI mode to manually configure the switch. The system will prompt you with a default answer; by pressing enter, you accept the default. You must respond to the next question to run the setup wizard within 60 seconds, otherwise the system will continue with normal operation using the default system configuration.

Would you like to enter the setup wizard (you must answer this question within 60 seconds)? (Y/N) [Y] Y

(Dell Kolay Kurulum Sihirbazına Hoş Geldiniz.)

Kurulum Sihirbazı, başlangıç yapılandırmasında size yol gösterir, kolay ve hızlı şekilde çalışmaya başlamanızı sağlar. İsterseniz, kurulum sihirbazını atlayıp CLI moduna girerek anahtarı elle yapılandırabilirsiniz. Sistem size varsayılan bir yanıt verir; Enter tuşuna basarak, varsayılan değeri kabul edersiniz. Kurulum sihirbazının çalışması için bir sonraki soruya 60 saniye içinde yanıt vermelisiniz, aksi takdirde sistem varsayılan sistem yapılandırmasını kullanarak normal şekilde çalışmaya geçer.

Kurulum sihirbazına girmek istiyor musunuz? (Bu soruyu 60 saniye içinde yanıtlamalısınız) (E/H)[E] E



NOT: Kurulum sihirbazını kullanmamayı seçerseniz, varsayılan IP adresini/maskesini (192.168.2.1/255.255.255.0) kullanarak Web arayüzüne erişebilirsiniz.



NOT: İstedığınız zaman [CNTRL+Z] girerek Kurulum Sihirbazından çıkabilirsiniz.

Sihirbaz Adımı 1

Aşağıdaki bilgiler görüntülenir:

The system is not setup for SNMP management by default.

To manage the switch using SNMP (required for Dell Network Manager) you can:

*Setup the initial SNMP Version 2 account now

*Return later and setup additional SNMP v1/v2 accounts

For more information on setting up SNMP accounts, please see the user documentation.

Would you like to setup the SNMP management interface now? (Y/N) [Y] Y

(Varsayılan olarak, sistem SNMP yönetimi için ayarlanmamıştır.

SNMP (Dell Ağ Yöneticisi için gerekir) kullanarak anahtarı yönetmek için şunları yapabilirsiniz:

*Başlangıç SNMP sürümü 2 hesabını şimdi ayarlama.

*Daha sonra tekrar dönerek SNMP v1/v2 hesaplarını ayarlama

SNMP hesaplarını ayarlama ile ilgili daha fazla bilgi için lütfen kullanıcı belgelerine bakın.

SNMP yönetim arayüzünü şimdi ayarlamak istiyor musunuz? (E/H)[E] H)

2. Adıma geçmek için [H] girin.

Kurulum sihirbazına devam etmek için [E] girin. Aşağıdaki bilgiler görüntülenir:

To setup the SNMP management account you must specify the management system IP address and the "community string" or password that the particular management system uses to access the switch. The wizard automatically assigns the highest access level [Privilege Level 15] to this account.

You can use Dell Network Manager or CLI to change this setting, and to add additional management systems. For more information on adding management systems, see the user documentation.

To add a management station:

Please enter the SNMP community string to be used:

[Dell_Network_Manager]

(SNMP yönetim hesabını ayarlamak için yönetim sistemi IP adresini ve ilgili yönetim sisteminin anahtara erişmek için kullandığı "topluluk dizesi" veya parolasını belirtmelisiniz. Sihirbaz otomatik olarak bu hesaba en yüksek erişim düzeyini [Ayrıcalık Düzeyi 15] atar.

Bu ayarı değiştirmek ve yeni yönetim sistemleri eklemek için Dell Ağ Yöneticisini veya CLI'yı kullanabilirsiniz. Yönetim sistemleri ekleme konusunda daha fazla bilgi için kullanıcı belgelerine bakın.

Yönetim istasyonu eklemek için:

Lütfen kullanılacak SNMP topluluğu dizesini girin: [Dell_Network_Manager])

Bir Yönetim İstasyonundan yönetmek için lütfen Yönetim Sisteminin IP adresini (A.B.C.D) veya joker karakter (0.0.0.0) girin:[0.0.0.0]

Sihirbaz Adımı 2

Aşağıdaki bilgiler görüntülenir:

```
Now we need to setup your initial privilege (Level 15) user account.  
This account is used to login to the CLI, Telnet and Web interface.  
You may setup other accounts and change privilege levels later.  
For more information on setting up user accounts and changing  
privilege levels, see the user documentation.
```

```
To setup a user account:
```

```
Enter the user name<1-20>:[admin]
```

```
Please enter the user password:*****
```

```
Please reenter the user password:*****
```

(Şimdi başlangıç ayrıcalığı (Düzey 15) kullanıcı hesabınızı ayarlamamız gerekiyor.

Bu hesap CLI'da, Telnet'te ve Web arayüzünde oturum açmak için kullanılır.

Daha sonra başka hesaplar da oluşturabilir ve ayrıcalık düzeylerini değiştirebilirsiniz.

Kullanıcı hesapları oluşturma ve ayrıcalık düzeylerini değiştirme ile ilgili daha fazla bilgi için kullanıcı belgelerine bakın.

Bir kullanıcı hesabı oluşturmak için:

```
Kullanıcı adını girin<1-20>:[admin]
```

```
Lütfen kullanıcı parolasını girin:*****
```

```
Lütfen kullanıcı parolasını tekrar girin:*****)
```

Sihirbaz Adımı 3

Aşağıdaki bilgiler görüntülenir:

```
Next, an IP address is setup.
```

```
The IP address is defined on the default VLAN, (VLAN #2). This is the  
IP address you use to access the Telnet, Web interface, or SNMP  
interface for the switch. To setup an IP address:
```

```
Please enter the IP address of the device (A.B.C.D):10.6.22.100
```

```
Please enter the IP subnet mask (A.B.C.D or nn):[255.255.255.224]
```

(Sonra, bir IP adresi oluşturulur.

IP adresi varsayılan VLAN'da (VLAN 2) tanımlanır. Bu, anahtar için Telnet, Web arayüzü veya SNMP arayüzüne erişmek üzere kullandığınız IP adresidir. IP adresi oluşturmak için:

Lütfen aygıtın IP adresini girin (A.B.C.D):10.6.22.100

Lütfen aygıtın IP alt ağ maskesini girin (A.B.C.D veya m):[255.255.255.224])

Sihirbaz Adımı 4

Aşağıdaki bilgiler görüntülenir:

```
Finally, setup the default gateway.
```

```
Please enter the IP address of the gateway from which this network is
reachable(e.g. 192.168.1.1).Default gateway (A.B.C.D):[10.6.22.97]
```

(Son olarak, varsayılan ağ geçidini ayarlayın.

Lütfen bu ağın erişildiği ağ geçidinin IP adresini girin (örneğin, 192.168.1.1). Varsayılan ağ geçidi (A.B.C.D):[10.6.22.97])

Varsayılan ağ geçidini girin.

Enter tuşuna basın. Aşağıdakiler görüntülenir (açıklanan örnek parametrelere göre):

```
This is the configuration information that has been collected:
```

```
=====
```

```
SNMP Interface = Dell_Network_Manager@0.0.0.0
```

```
User Account setup = admin
```

```
Password = *****
```

```
Management IP address = 10.6.22.100 255.255.255.224
```

```
Default Gateway is 10.6.22.97
```

```
=====
```

(Bu, toplanan yapılandırma bilgileridir:

```
=====
```

```
SNMP Arayüzü = Dell_Network_Manager@0.0.0.0
```

```
Kullanıcı Hesabı kurulumu = admin
```

```
Parola = *****
```

```
Yönetim IP adresi = 10.6.22.100 255.255.255.224
```

```
Varsayılan Ağ Geçidi 10.6.22.97'dir
```

```
=====)
```

Sihirbaz Adımı 5

Aşağıdaki bilgiler görüntülenir:

```
If the information is correct, please select (Y) to save the
configuration, and copy to the start-up configuration file. If the
information is incorrect,select (N) to discard configuration and
restart the wizard: (Y/N)[Y] Y
```

```
Configuring SNMP management interface.
```

```
Configuring user account.....
```

```
Configuring IP and subnet.....
```

```
Thank you for using Dell Easy Setup Wizard.
```

(Bilgiler doğruysa, lütfen yapılandırmayı kaydetmek ve başlangıç yapılandırma dosyasını kopyalamak için (E) harfini seçin. Bilgiler yanlışsa, yapılandırmayı yoksaymak ve sihirbazı yeniden başlatmak için (H) harfini seçin: (E/H)[E] E

```
SNMP yönetim arayüzü yapılandırılıyor.
```

```
Kullanıcı hesabı yapılandırılıyor.....
```

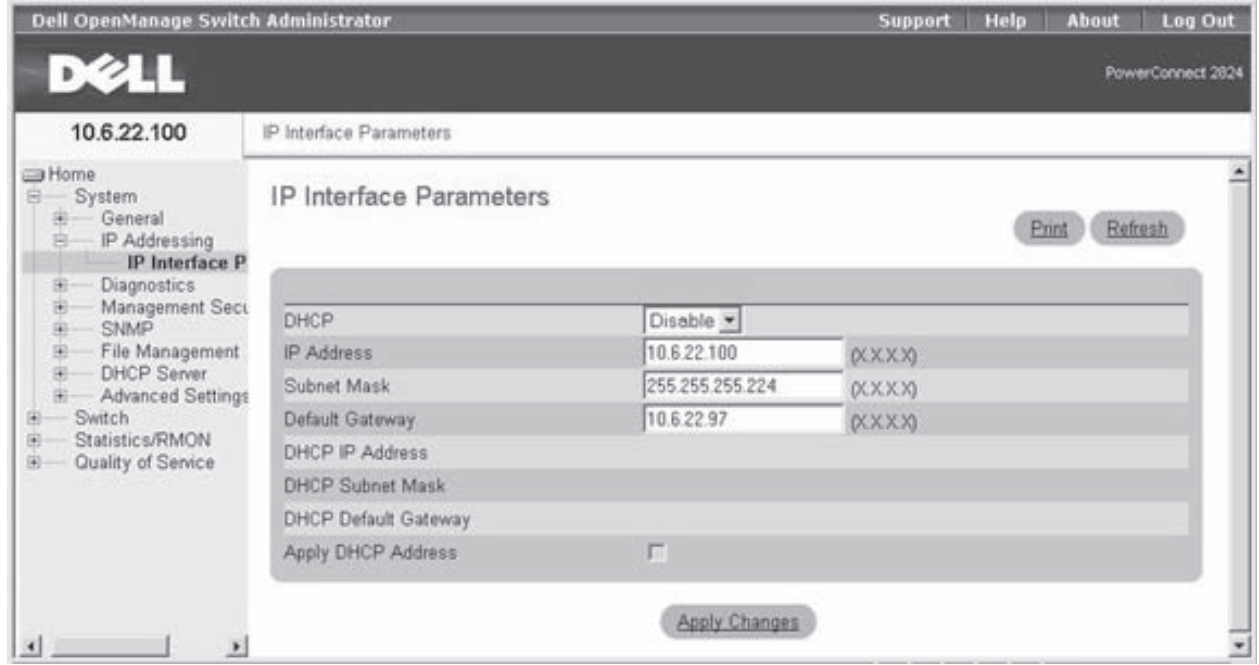
```
IP ve alt ağ yapılandırılıyor.....
```

```
Dell Kolay Kurulum Sihirbazını kullandığımız için teşekkür ederiz.)
```

Web Yapılandırması

- 1 Web kullanıcı arayüzünde **Sistem IP Adresi** penceresini açın.

Şekil 3-2. Web Yapılandırması Kullanıcı Arayüzü



- 2 IP Adresini, Alt Ağ Maskesini ve Varsayılan Ağ Geçidini girin.
- 3 **Değişiklikleri Uygula**'yı tıklatın. Aygıt yapılandırılmıştır.

Yeni Çıkan Çevre Dostu Özellik: Yeşil Ethernet

Yeşil Ethernet özelliği ağ enerji tüketimini iyileştirir. Yeşil Ethernet güç tasarrufu teknolojisi bir *Bozuk Bağlantı* ve/veya *Kısa Devre* algıladığında güç tüketimini otomatik olarak azaltır, ağ bütünlüğünü bozmadan ağların her bağlantı noktası için daha az enerji harcamasını sağlar ve daha ileri düzeyde çevre dostudur. *Enerji Algılama* ve *Kısa Devre* modları varsayılan olarak etkindir.

Düzenleme Bildirimleri

Ek düzenleme bilgileri için www.dell.com adresinde aşağıdaki konumda bulunan Mevzuata Uygunluk Anasayfası'na bakın: www.dell.com/regulatory_compliance.

información NOM (únicamente para México)

La información siguiente se proporciona en el dispositivo o dispositivos descritos en este documento, en cumplimiento con los requisitos de la Norma oficial mexicana (NOM):

Exportador:	Dell Inc. One Dell Way Round Rock, TX 78682
Importador:	Dell México, S.A. de C.V. Paseo de la Reforma 2620 - 11° Piso Col. Lomas Altas 11950 México, D.F.
Enviar a:	Dell México, S.A. de C.V. al Cuidado de Kuehne & Nagel de México S. de R.L. Avenida Soles No. 55 Col. Peñon de los Baños 15520 México, D.F.

Dell PowerConnect™

Modelo	Voltaje de alimentación	Frecuencia	Consumo eléctrico
2808	100-240 VAC	50-60 Hz	0,75 A
2816	100-240 VAC	50-60 Hz	0,75 A
2824	100-240 VAC	50-60 Hz	1 A
2848	100-240 VAC	50-60 Hz	1,8 A

Informação sobre Órgão Regulador

A marca de certificação se aplica a este **Equipamento de Rede de Dados**
Para maiores consultas sobre ANATEL visite o site: www.anatel.gov.br

Printed in China
Gedruckt in China
Imprimé en Chine
Impreso en China
הודפס ביסין
Dicetak di China
中國印製
中国印制
중국에서 인쇄
Çin'de basılmıştır
Printed on Recycled Paper

www.dell.com | support.dell.com



OG536KA02