

Setting Up a PS Series Storage Array



PS Series Storage Arrays

PS6000 Hardware Installation

Before You Begin

Environmental Requirements

Make sure the installation location meets the power, cooling, and ventilation requirements in the PS6000 *Rack Mount Instructions* document, located in the array shipping box.

Networking Requirements

Standard Ethernet and TCP/IP networking rules apply to a PS Series SAN.

Gigabit Ethernet is recommended for optimal performance.

Required Hardware (Not Supplied)

Standard 19-inch four-pole rack.

One to eight network cables. Supported cables include Category 5E and Category 6 cables with RJ45 connectors. Use Category 5 cables only if they meet the TIA/EIA TSB95 standard.

Step 1: Unpack the Shipping Box

See the PS6000 *Unpacking Instructions* document, located in the array shipping box. Make sure you have all the required hardware, including the rack and network cables, which are not supplied.

Protect sensitive hardware. Make sure you use an electrostatic wrist strap or a similar form of protection when handling hardware.

Read the documentation. The PS Series *Release Notes* document contains the latest product information.

PS6000 Bezel



PS6000 Chassis

Rear of chassis (access to power buttons, two control modules and two power supply and cooling modules)

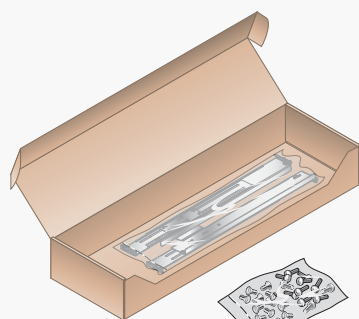


Front of chassis (disk drive slots)

Electrostatic Wrist Strap



Rail Kit for Four-Pole Rack including Fasteners



Power Cables

Power cables for various electrical configurations may be supplied. If not, contact your PS Series support provider.



Serial Cable

Used for non-Windows installations and when there is no network access to the array or group.



Step 2: Install the Array in a Rack

Mount the array in a four-pole 19-inch rack. See the PS6000 *Rack Mount Instructions* document, located in the array shipping box.



Read the PS6000 Rack Mount Instructions.

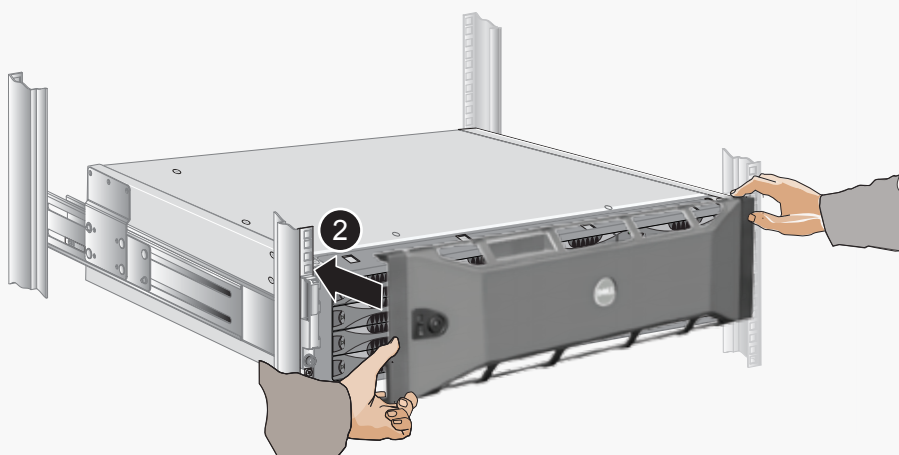
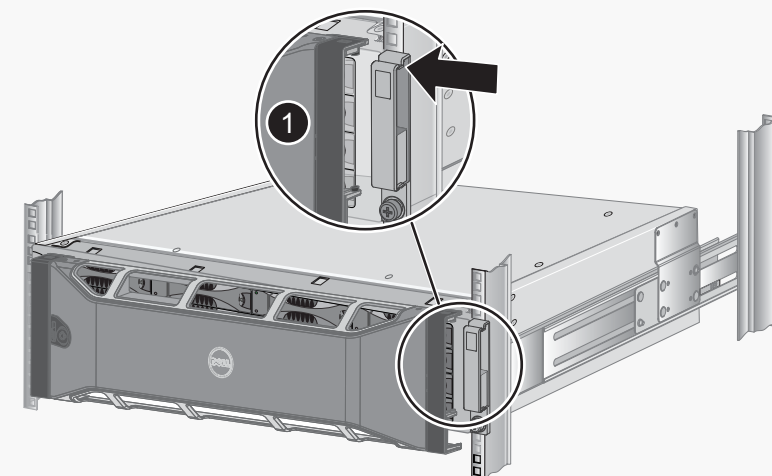
The array is heavy. Do not attempt to lift the array without assistance.

Stabilize the rack. Dell recommends that you attach the rack to the floor for added stability.

Step 3: Install the Bezel

To install the bezel:

1. Facing the front of the rack, fit the right side of the bezel into the right side of the chassis.
2. Push the bezel toward the chassis until the left side of the bezel engages with the chassis.
3. Insert the bezel key and turn it counter-clockwise to lock the bezel to the chassis. Make sure you store the key in a safe location.

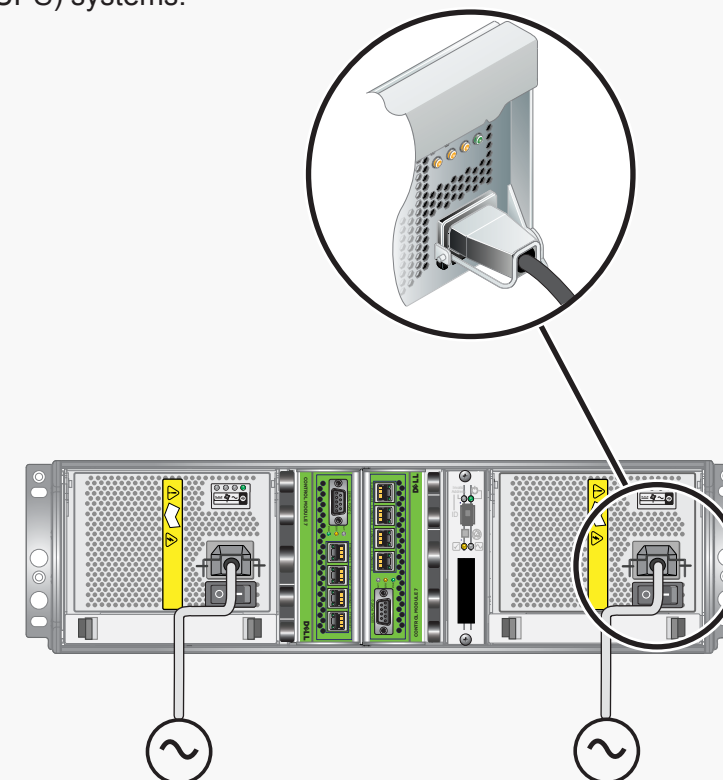


Step 4: Connect the Array to Power

Minimum configuration. Use the power cables shipped with the array to connect each power supply and cooling module to separate sources of power if possible. Use the cable strain relief to secure each power plug to the array. See the *PS Series Storage Arrays Installation and Setup Manual*.

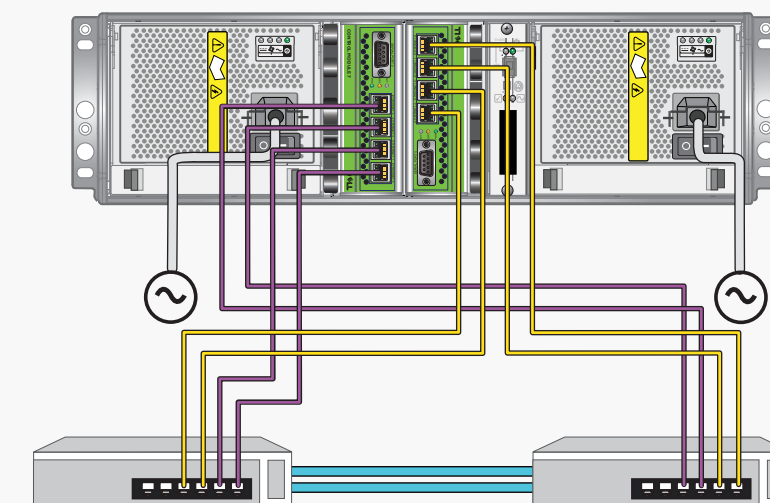
A PS6000 requires at least 1 power supply connected to a source of power to operate.

Recommended configuration. For high availability, connect the power supplies to different sources of power on separate circuits. If possible, use uninterruptible power supply (UPS) systems.



Step 5: Connect the Array to the Network

Recommended configuration. For high performance and availability, connect network cables to all the network interfaces and distribute the connections across multiple network switches. The switches must be connected with interswitch links that have sufficient bandwidth.



Step 6: Turn on Power to the Array

A power switch is located below the power plug on each power supply and cooling module. Turn on both.

Once you turn on full power to an array, batteries may start to charge and hardware components may start to synchronize. Array LEDs will indicate these normal activities.

Hardware installation is complete. Turn the page for software configuration instructions.

Information in this document is subject to change without notice. 2008 Dell EqualLogic. All rights reserved.

Reproduction in any manner whatsoever without the written permission of Dell EqualLogic, is strictly forbidden.

The Dell EqualLogic logo is a trademark of Dell, Inc.

Copyright 2008 Dell, Inc.

R716M Rev. A00