

PS4210 Installation

Before You Begin

This poster is a condensed reference. Read the *PS4210 Storage Arrays Installation and Setup Guide* (provided in the box) for complete installation information.

Register for a Dell™ EqualLogic® Customer Support Account.

If you do not have a customer service support account, go to eglsupport.dell.com/secure/login.aspx and create one.

Download and Read the Release Notes from the Support Site.

The *PS Series Storage Arrays Release Notes* contain the latest product information.

Review Safety Guidelines.

Review the safety instructions in your *Safety, Environmental, and Regulatory Information* booklet located in the shipping box.

Prepare for Installation:

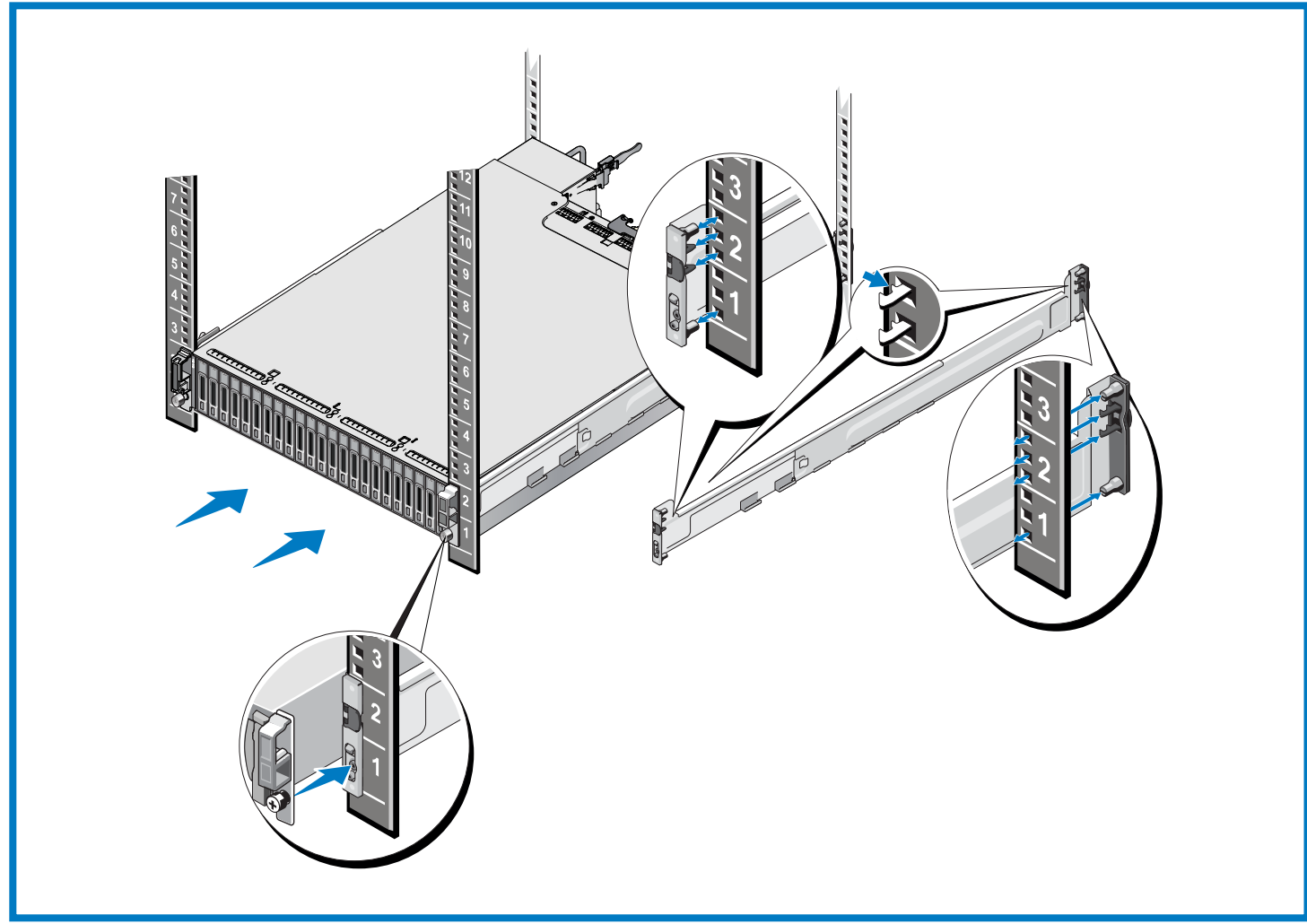
- Environmental requirements
 - Make sure the installation location meets the power, cooling, and ventilation requirements described in the *PS6210 Storage Arrays Installation and Setup Guide* (located in the shipping box).
- Networking requirements
 - Standard Ethernet and TCP/IP networking rules apply to a PS Series SAN
 - 10 Gigabit Ethernet
- Hardware requirements (not supplied)
 - Standard 19-inch, four-post rack
 - For Ethernet connections (use a minimum of one 10GbE port per controller):
 - With the 10GBASE-T port, CAT6 (or better) cable for up to 55 meters, CAT6A for up to 100 meters
 - With the SFP+ port, optical cable or copper SFP+ cable
 - For Management connections (optional): CAT5 cable with RJ45 connector

3 Install the Array into a Rack

Warning! The array is heavy. Do not attempt to lift the array without assistance.

Mount the array into a four-post, 19-inch rack.

1. Slide the array onto the rails.
2. Hand-tighten the thumbscrews to the front of the rack.



1 Unpack the Shipping Box

Caution: Protect sensitive hardware. Use an electrostatic wrist strap or a similar form of protection when handling hardware.

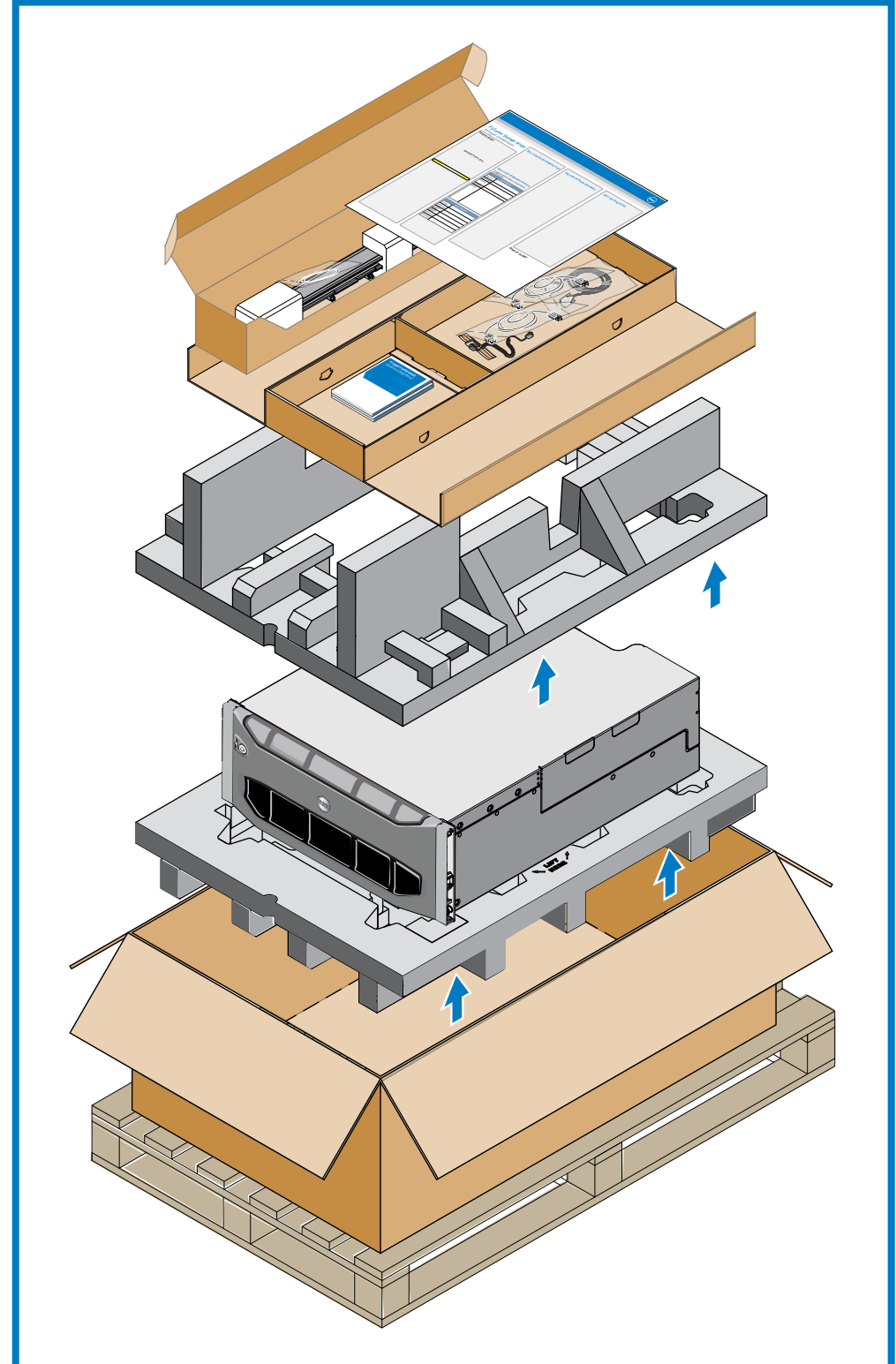
Shipping box contents:

- Setup poster (this document)
- Rack Installation Setup Poster
- Rail kit (if ordered)
- Power Cables
- Documentation
- PS Series Storage Array

2 Install the Rails into the Rack

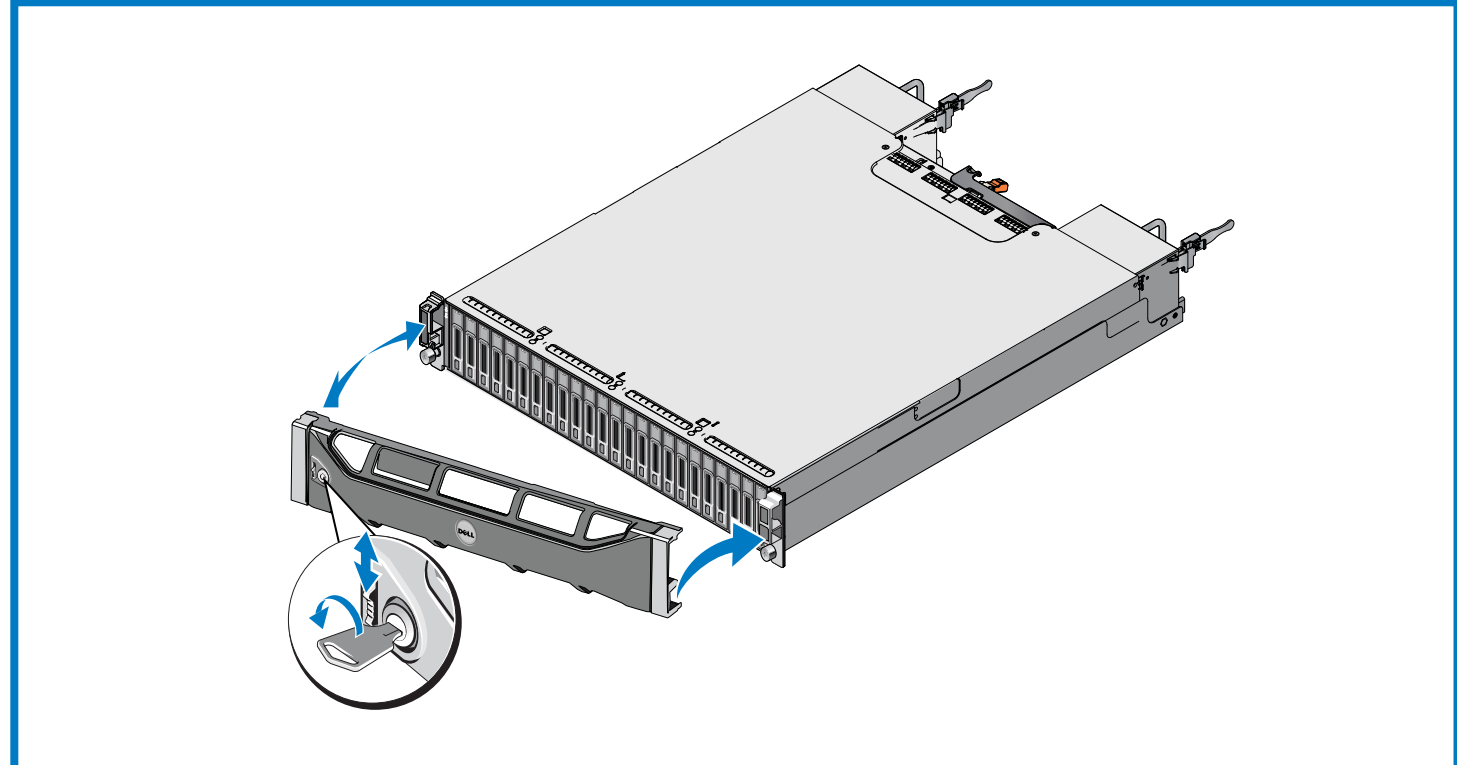
1. Remove the rail kit from the shipping box.
2. Install the rails into the rack.

See the *Rack Installation setup poster* for detailed instructions.



4 Install the Front Bezel

1. Hold the bezel with the array model number and Dell logo upright.
2. Hook the right end of the bezel onto the right side of the chassis.
3. Swing the left end of the bezel toward the left side of the chassis.
4. Press the bezel into place until the release latch closes.
5. Using the provided key, lock the front bezel. Store the key in a safe place.

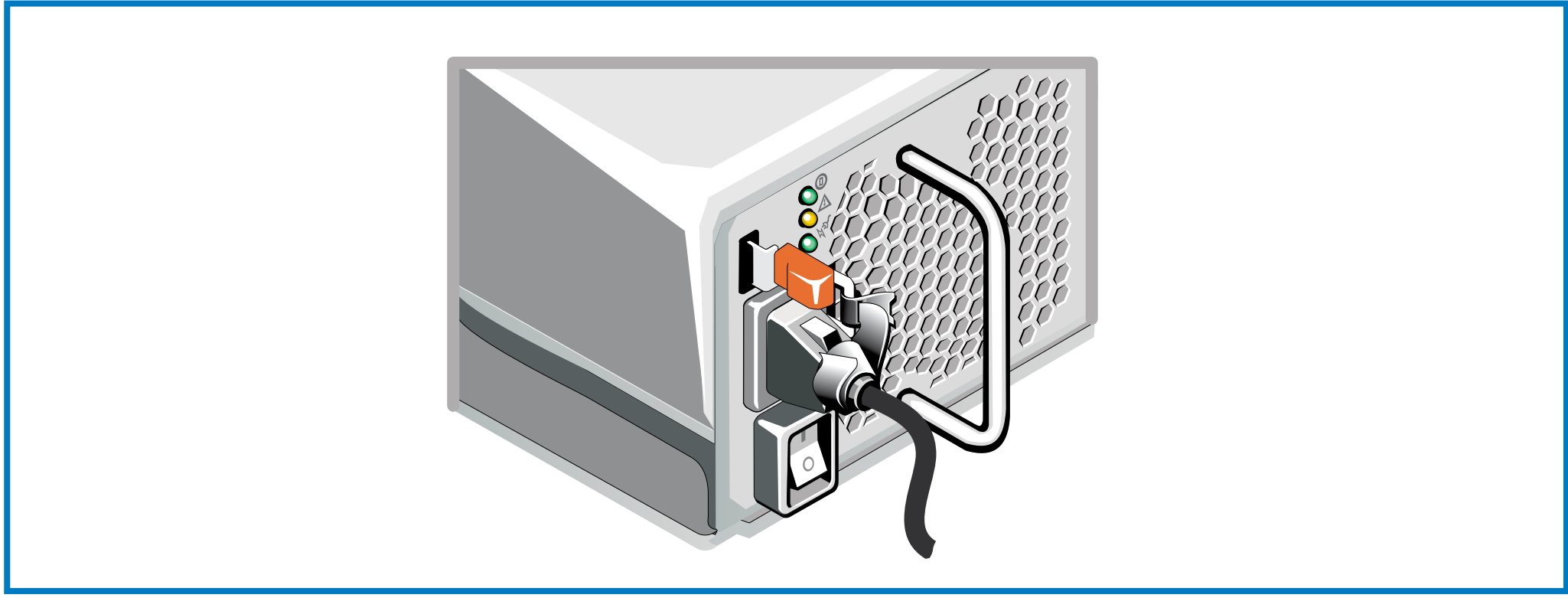


5 Connect the Power Cables

Caution: Make sure the power switch is set to off (O) before connecting the power cables.

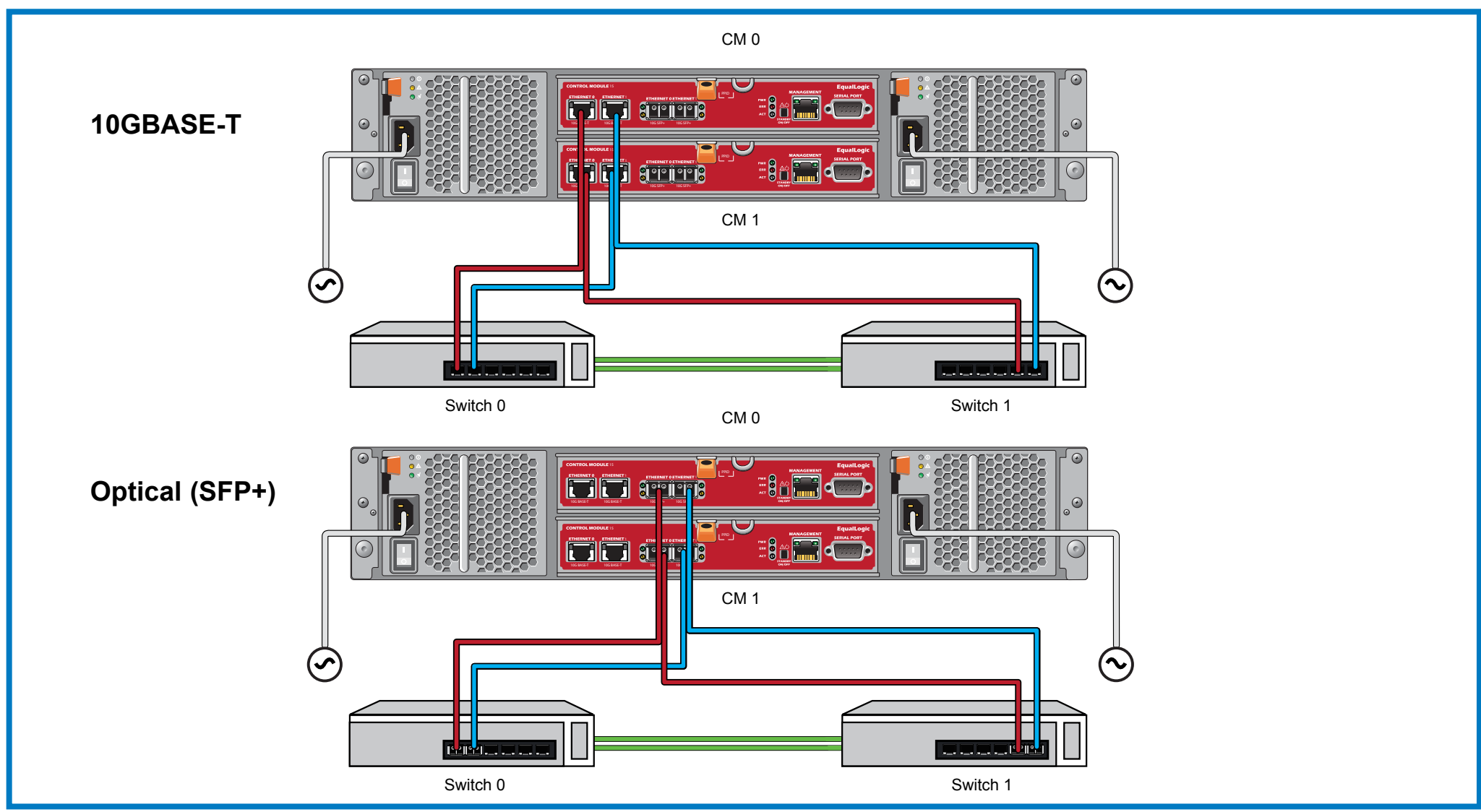
1. Use the power cables shipped with the array to connect each power supply module to a power source.
 - Note:** Use separate sources of power, if possible.
2. Use the strain-relief fasteners to secure the power cables to the power supply modules so they cannot be pulled out accidentally.

See the *Dell EqualLogic PS4210 Installation and Setup Manual* for more information.



6 Connect the Array to the Network

Recommended Configuration: For high performance and availability, distribute the connections across multiple network switches. The switches must be connected with interswitch links that have sufficient bandwidth. See the *PS4210 Storage Arrays Installation and Setup Guide* for more information.

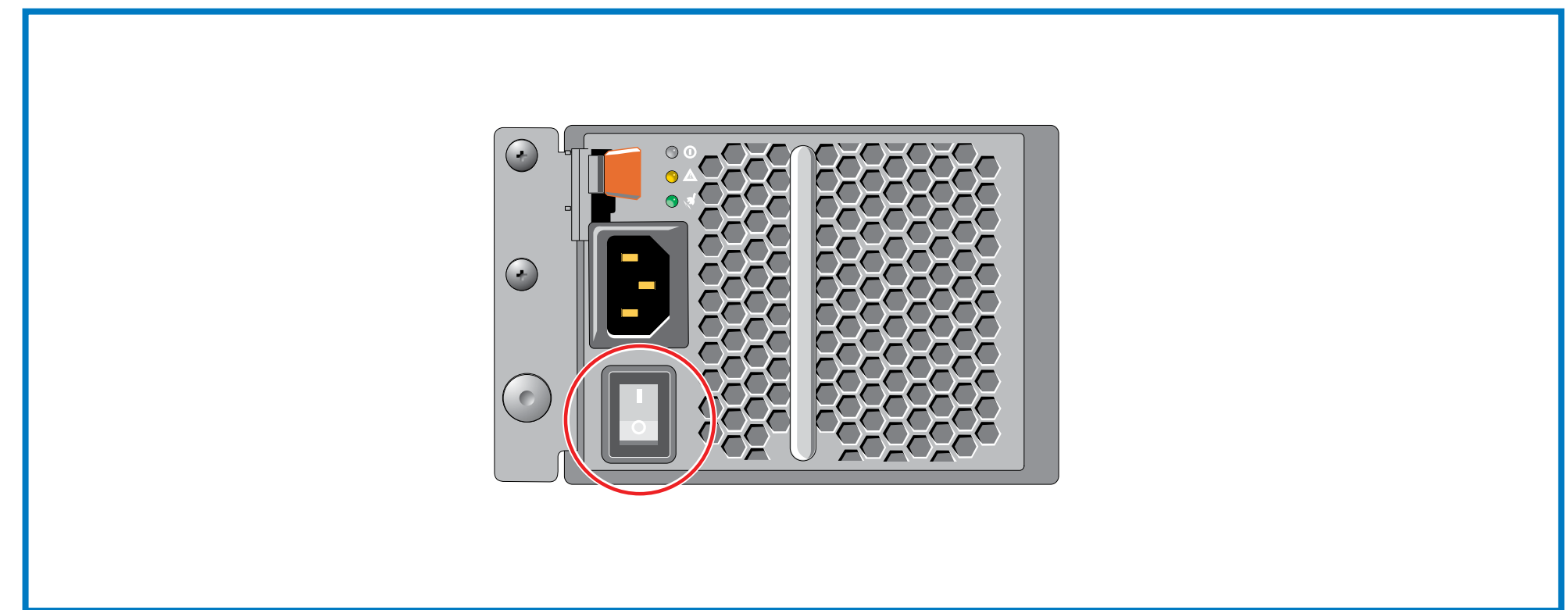


7 Turn On Power to the Array

Note: Before turning on power, allow enough time for the array to adjust to ambient temperature and humidity (for example, overnight).

Turn on power to both power supply modules (in any order) by pressing (I) on the power switch. The power switch is located next to the power plug on each PSU.

- Notes:**
- The battery backup unit installed in each controller is shipped in a partially discharged state. The first time the system is powered on, a boot delay of up to 30 minutes might be experienced while the battery is charged to full capacity.
 - Batteries will start to charge, and some hardware components might start to synchronize, when power is turned on. Array LEDs will indicate this normal activity.



Hardware Installation Is Complete!

Your array hardware should now be up and running. If it is not, make sure that you have successfully completed all of the steps described in this poster.

If you are still experiencing problems, see the *PS4210 Storage Arrays Installation and Setup Guide* for technical information and customer service contact information. Alternately, you can call technical support at 1-800-945-3355.

What to Do Next

Configure the array software. See the *PS4210 Storage Arrays Installation and Setup Guide* for array configuration information.

To learn more about Dell EqualLogic products, visit DellStorage.com or the Dell Tech Center site at DellTechCenter.com/Storage. These sites contain articles, demos, white papers, and more details about the benefits of our product family. You will be prompted to either create your customer account or enter your existing account information.

Other helpful sites:

Dell TechCenter's Storage Infrastructure and Solutions Team Publications page contains the EqualLogic Configuration Guide to help you determine how best to build your iSCSI SAN infrastructure: en.community.dell.com/techcenter/storage/wiki/2639.equallogic-configuration-guide.aspx. The site also provides an extensive compilation of application and networking best practices and reference architectures for EqualLogic: en.community.dell.com/techcenter/storage/wiki/2631.storage-infrastructure-and-solutions-team.aspx.

The Dell EqualLogic support site contains the latest Dell EqualLogic Firmware compatibility matrix on its home page, eqsupport.dell.com.

Notes, Cautions, and Warnings

- Note:** A NOTE indicates important information that helps you make better use of your system.
- Caution:** A CAUTION indicates potential damage to hardware or loss of data if instructions are not followed.
- Warning:** A WARNING indicates a potential for property damage, personal injury, or death.

Information in this document is subject to change without notice.

Reproduction of this material in any manner whatsoever without the written permission of Dell EqualLogic is strictly forbidden.

Dell™ and EqualLogic® are trademarks of Dell Inc. © Copyright 2014 Dell Inc. All rights reserved.

Printed in U.S.A.
Printed on recycled paper.

