



Dell EqualLogic PS4210 Storage Arrays

Hardware Owner's Manual

Version 1.0

© Copyright 2014 Dell Inc. All rights reserved.

Dell™ and EqualLogic® are trademarks of Dell Inc. All trademarks and registered trademarks mentioned herein are the property of their respective owners.

Information in this document is subject to change without notice.

Reproduction of this material in any manner whatsoever without the written permission of Dell is strictly forbidden.

Published: November 2014

Part Number: 110-6215-EN-A01

Table of Contents

Preface	v
1 Basic Storage Array Information	1
About the PS4210 Array	1
Recommended Tools	1
Protecting Hardware	1
Back-Panel Features and Indicators	4
Shutting Down and Restarting an Array	4
2 Maintaining Drives	7
About Drive Types	7
Identifying Failed Drives	7
Interpreting Drive LEDs	7
Array Behavior When a Drive Fails	8
Drive Handling Requirements	9
Drive Installation Guidelines and Restrictions	9
3 Maintaining Control Modules	15
Control Module Features	15
Replacing a Control Module	20
Replacing the MicroSD Card	24
Battery Replacement	26
Shipping Requirements	27
Advanced Networking Options	29
4 Maintaining Power Supply and Cooling Modules	31
About Power Supplies	31
Identifying Power Supply Failures	31
5 Troubleshooting Your Array	35
Index	37

Preface


This manual describes how to install Dell™ EqualLogic® PS4210 storage array hardware, configure the software, and start using the iSCSI SAN array.

With one or more PS Series storage arrays, you can create a PS Series group—a self-managing, iSCSI storage area network (SAN) that is affordable and easy to use, regardless of scale.

Audience

The information in this guide is intended for the administrators responsible for installing array hardware. Administrators are not required to have extensive network or storage system experience. However, it is helpful to understand:

- Basic networking concepts
- Current network environment
- User disk storage requirements
- RAID configurations
- Disk storage management

 Although this manual provides examples of using PS Series arrays in some common network configurations, detailed information about setting up a network is beyond its scope.

Related Documentation

For detailed information about FS Series appliances, PS Series arrays, groups, volumes, array software, and host software, log in to the Documentation page at the customer support site (eqlsupport.dell.com).

Dell EqualLogic Storage Solutions

To learn more about Dell EqualLogic products and new releases, visit the Dell EqualLogic Tech Center site: delltechcenter.com/page/EqualLogic. Here you can also see articles, demos, online discussions, and more details about the benefits of our product family.

Contacting Dell

Dell provides several online and telephone-based support and service options. Availability varies by country and product, and some services might not be available in your area.

To contact Dell EqualLogic Technical Support by phone, if you are located in the United States, call 800-945-3355. For a listing of International Dell EqualLogic support numbers, visit dell.com/support/home. From this website, select your country from the drop-down list in the upper-left corner of the screen. If you do not have access to an Internet connection, contact information is printed on your invoice, packing slip, bill, or Dell product catalog.

Use the following procedure to register for an EqualLogic customer support account, to log cases via the web, and to obtain software updates, further documentation, and resources.

1. Visit eqlsupport.dell.com or the Dell support URL specified in information provided with the Dell product.
2. Select the required service. Click the `Contact Us` link, or select the Dell support service from the list of services provided.
3. Choose your preferred method of contacting Dell support, such as email or telephone.




Online Services

You can learn about Dell products and services by visiting dell.com (or the URL specified in any Dell product information).

Warranty Information

The PS4210 array warranty is included in the shipping box. For information about registering a warranty, visit onlineregister.com/dell.

Note, Caution, and Warning Symbols

-  A NOTE symbol indicates important information that helps you make better use of your hardware or software.
-  A CAUTION symbol indicates potential damage to hardware or loss of data if instructions are not followed.
-  A WARNING symbol indicates a potential for property damage, personal injury, or death.

1 Basic Storage Array Information

This chapter includes information about the location and basic operation of the replaceable components in a storage array, tools and equipment you will need, protecting hardware from electrostatic discharge, and power on and off operations.

About the PS4210 Array

The PS4210 is a PS4x10 10GbE class EqualLogic® PS Series array that continues the focus by Dell™ on industry-standard features and capabilities for the midrange iSCSI SAN market.

PS4210 Features

The PS4210 array is available in a 2U chassis with up to 24 2.5-inch drives, or 12 3.5-inch drives.

Features of the PS4210 array include:

- Two hot-swappable Type 19 control modules, which contain increased memory (8GB per controller) and a more powerful processor than previous generation controllers
- Ethernet ports:
 - Two pairs of 10Gb/s dual-media interfaces (10GBASE-T/SFP+)
 - Ability to auto-negotiate down to 1Gb/s interface (10GBASE-T ports only)
- Support for ReadyRails™ II

Recommended Tools

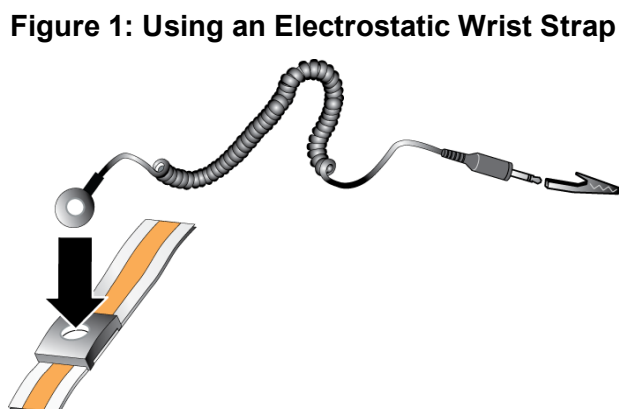
You will need the following items to perform the procedures in this section:

- Bezel key
- Wrist grounding strap

Protecting Hardware

Protect your PS Series array from electrostatic discharge. When handling array hardware, use an electrostatic wrist strap or a similar form of protection. To use a wrist strap:

1. Connect the steel snap on the coil cord to the stud on the elastic band. See [Figure 1](#).



2. Fit the band tightly around your wrist.
3. Connect the band to ground. You can either plug the banana connector into a matching grounded receptacle, or attach it to the matching alligator clip and connect the clip to a grounded device. Examples of an appropriate ground would be an ESD mat or the metal frame of a grounded piece of equipment.

Array Bezel

The bezel is an optional trim panel that attaches to the front of the array to ensure the physical security of the array. You must remove the bezel to access and maintain the drives.

The bezel has a label that identifies the array model number.

Removing the Bezel

The steps for removing the bezel are the same for all array models:

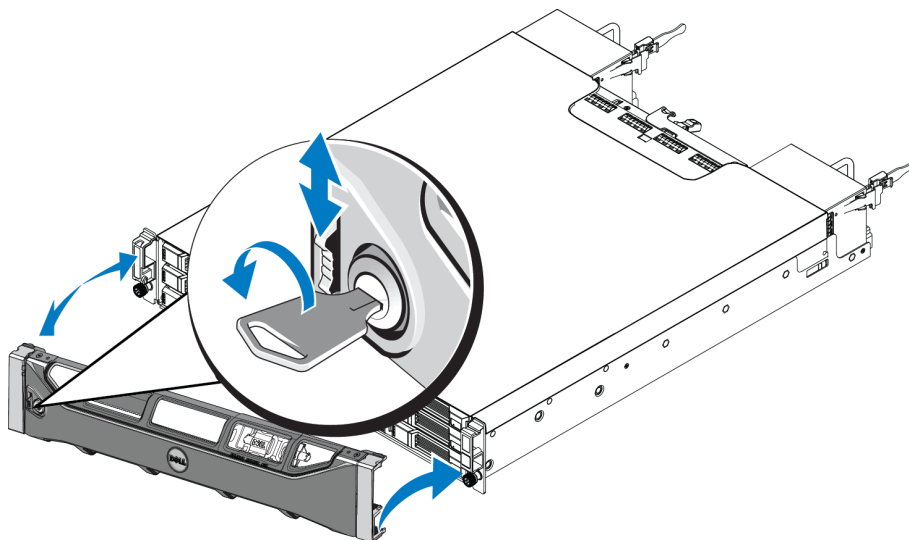
1. Using the bezel key, unlock the bezel.
2. Holding the bezel, lift the latch on the left side of the bezel and swing the left side away from the array.
3. Lift the right side of the bezel off the right side of the array.
4. Set the bezel aside.

Installing the Bezel

The steps for installing the bezel are the same for all array models:

1. Hook the right end of the bezel onto the right side of the chassis.
2. Swing the left end of the bezel toward the left side of the chassis.
3. Press the bezel into place until the release latch closes.
4. Using the key provided, lock the bezel and store the key in a safe place as shown in [Figure 2](#).

Figure 2: Installing the Bezel



Front-Panel Features and Indicators

The front of a PS4210, without the bezel, is shown in [Figure 3](#).

[Table 1](#) describes the front-panel features.

Figure 3: Front-Panel Features and Indicators (3.5-inch Drives)



Figure 4: Front Panel Features and Indicators (2.5-inch Drives)

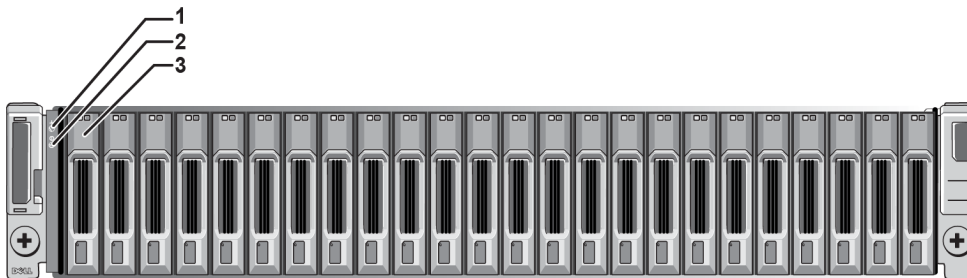


Table 1: Front-Panel Feature Descriptions

Item	Indicator	Icon	Description
1	Array status LED		The array status LED lights when the array power is on. <ul style="list-style-type: none"> • Off—No power. • Steady blue—Array status is OK. • Slow blinking blue—Array status is Standby mode. • Blinking blue—Administrator request to identify the array (see the Group Manager online help). • Steady amber—Critical status. • Blinking amber—Warning.
2	Power LED		The power LED is ON when at least one power supply is supplying power to the array. <ul style="list-style-type: none"> • Off—No power, or the array is in Standby mode. • Steady green—Array has at least one power supply providing power, and array is not in Standby mode.
3	Drive release latch	None	Enables you to remove a drive from the array.



The LEDs are part of a built-in chassis control panel that is not hot-swappable and can be replaced only by support personnel. During the array power-up sequence, these LEDs will cycle through different states until the array is fully started and the active control module has been determined.

Back-Panel Features and Indicators

The back of a PS4210 is shown in [Figure 5](#).

[Table 2](#) describes the back-panel features.

Figure 5: Back-Panel Features

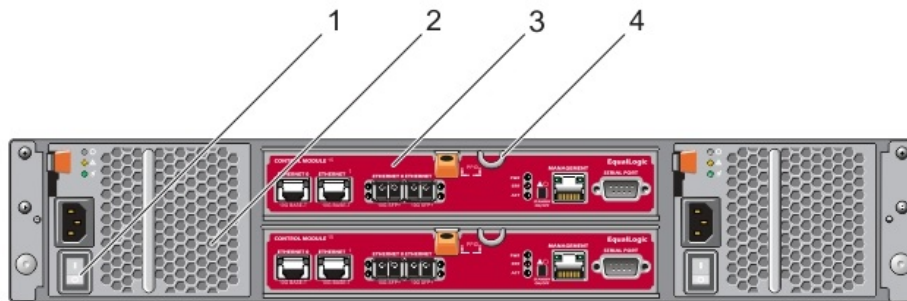


Table 2: Array Back-Panel Features

Item	Feature	Identifier	Description
1	Power switch	None	The power switch controls the power supply output to the array. One switch on each power supply.
2	Power supply unit (PSU)	PSU0 (left) PSU1 (right)	Power supply and cooling fan module for array.
3	Control module	CM0 (top) CM1 (bottom)	The control module provides: <ul style="list-style-type: none"> • Connection to a data path between the array and the applications using the storage • Array management functions for your array
4	Control module release lever	None	Enables you to remove the control module from the array.

Shutting Down and Restarting an Array

A PS Series array includes redundant, hot-swappable drives, power supplies, and control modules (in a dual control module array). You can remove a redundant component without affecting operation if a functioning component is available. Otherwise, Dell recommends that you cleanly shut down the array and turn off power before removing a component.



When an array is shut down, any volumes with data on the array will be set offline until the array is successfully restarted. Being offline affects initiators that are connected to the volumes.

Array shutdown procedure

1. Connect to the array in one of the following ways:

- Use telnet or SSH to connect to a functioning IP address assigned to a network interface on the array. Do not connect to the group IP address.
- Use the null modem cable, shipped with the array, to connect the serial port on the active control module (ACT LED is green) to a console or a computer running a terminal emulator.

Make sure the serial line characteristics are as follows:

- 9600 baud
 - One STOP bit
 - No parity
 - 8 data bits
 - No flow control
2. Log in to an account with read-write access, such as the `grpadmin` account.
 3. Enter the `shutdown` command, as follows:

```
login: grpadmin
Password:
Welcome to Group Manager
Copyright 2001-2014 Dell Inc.
group1> shutdown
```

If you are using a serial connection to shut down an array, it is safe to turn off power when the “press any key” message appears. (Pressing any key will restart both control modules.)

If you are using a network connection, the session will be disconnected before the array is fully shut down. Confirm that the ACT LED on each control module is off (not lit) before turning off power to the array.

After performing array maintenance, you can turn on power to the array. When the array restart completes, the member and volumes will be set online.

2 Maintaining Drives

You can replace a failed drive while the array remains running.

About Drive Types

Depending on your configuration, your array supports up to 24 2.5-inch SAS and SSD drives or up to 12 3.5-inch SAS or NL-SAS drives in internal drive bays.

Drives are connected to a backplane through drive carriers and are hot-swappable.



Drives are supplied in a carrier that is keyed to fit into specific array models, and cannot be installed in other Dell arrays, or arrays not from Dell Inc.



Dell uses specially qualified and tested hard drives for its EqualLogic storage systems, and manages hard drive quality and firmware only for those drives. As a result, only Dell-provided hard drives are supported by PS Series arrays. Attempts to use other, unapproved hard drives in the PS4210 array will not be successful.

Identifying Failed Drives

A drive failure is indicated by:

- LEDs on the drive.
- A message on the console, in the event log, or in the Group Manager Alarms panel.
- Indications in the Group Manager Member Disks window or the CLI `member select show disks` command output.

Behind the bezel, arrays have a label showing the drive numbering for that specific array model:

- In arrays with 2.5-inch drives (installed vertically in a row), the drives are numbered 0–23, left to right.
- In arrays with 3.5-inch drives (installed horizontally), the drives are numbered from left to right and top to bottom, starting with 0 on the upper left side. [Table 3](#) shows the drive order for the 3.5-inch drives.

Table 3: 3.5-inch Drive Numbering

0	1	2	3
4	5	6	7
8	9	10	11

Interpreting Drive LEDs

The LEDs on a 3.5-inch drive are shown in [Figure 6](#). The LEDs on a 2.5-inch drive are shown in [Figure 7](#). Drive LED states are described in [Table 4](#).

Figure 6: LEDs on 3.5-inch Drives

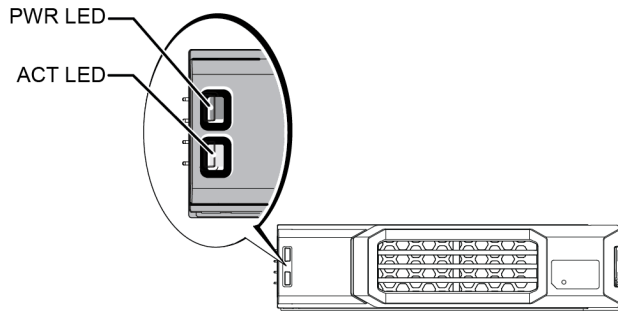


Figure 7: LEDs on 2.5-inch Drives

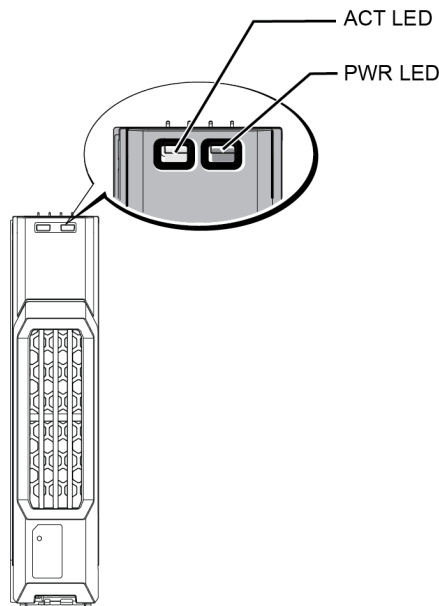



Table 4: Drive LED States

Description	Indicator States
Drive activity indicator (ACT LED)	Blinking green: Drive is busy Steady green: No drive activity Off: Drive is a spare, and spun down
Drive status indicator (PWR LED)	Green: Drive OK Amber: Drive failed Off: No power to drive

Array Behavior When a Drive Fails

In firmware version 5.2.5 and later, Dell implemented a copy-to-spare operation to replace failing drives. This operation can, in many cases, improve the performance of the drive replacement process by avoiding a full RAID rebuild and as a result can provide better reliability.

 If a drive fails, replace it. Do not reinstall it in the array.

If a Spare Drive Is Not Available

If a spare drive is not available, the RAID set will become degraded and performance might be impaired. However, a RAID 6 set can survive two simultaneous drive failures.

If a spare drive is not available and the failed drive is in a RAID set that is already degraded, data might be lost and must be recovered from a backup.

Drive Handling Requirements

Handle drives as follows:

- Protect drives from electrostatic discharge. Wear an electrostatic wrist strap when handling a drive. See [Protecting Hardware on page 1](#).
- Store drives properly. Store replacement drives in the packaging in which they were shipped. Do not stack drives or place anything on top of a drive.
- Handle drives carefully. Hold a drive only by the plastic part of the carrier or the handle. Do not drop, jolt, or force a drive into a slot.
- Warm replacement drives to room temperature before installation. For example, let a drive sit overnight before installing it in an array.
- Do not remove a functioning drive (other than a spare) from an array. If the drive is not a spare, the RAID set might become degraded. If you remove a spare, replace the drive as soon as possible.
- Do not leave drive slots empty. Each drive slot in an array must contain a drive assembly or a blank carrier. Operating an array with an empty slot will void your warranty and support contract.
- Do not remove a drive from its carrier. This action will void your warranty and support contract.
- Keep the shipping material. Return a failed drive to your array support provider in the packaging in which the replacement drive was shipped. Shipping drives in unauthorized packaging might void your warranty.

Drive Installation Guidelines and Restrictions

- Replace a failed drive as soon as possible, to provide the highest availability.
- Install only drives of the same type, speed, and spin rate in an array.
- You can use drives of different capacities in the same array. However, the smallest drive in the array will determine how much space can be used on each drive. For example, if the smallest drive is 400GB, only 400GB of space will be available for use on each drive.
- Make sure the drive is oriented in the correct position for the array model. See [Front-Panel Features and Indicators on page 3](#).
- Insert a drive fully in the chassis before pushing in the handle.
- When correctly installed, a drive will be flush with the front of the array. If the drive is protruding from the array, reinstall the drive.
- After installation, make sure the drive power LED is green or flashing green. See [Identifying Failed Drives on page 7](#).
- A two-minute delay occurs between the time you insert a drive and the time the drive is automatically configured into a RAID set. This time interval allows multiple drives to be simultaneously configured in an array, which is more efficient than installing a single drive, configuring it, and then repeating the process.

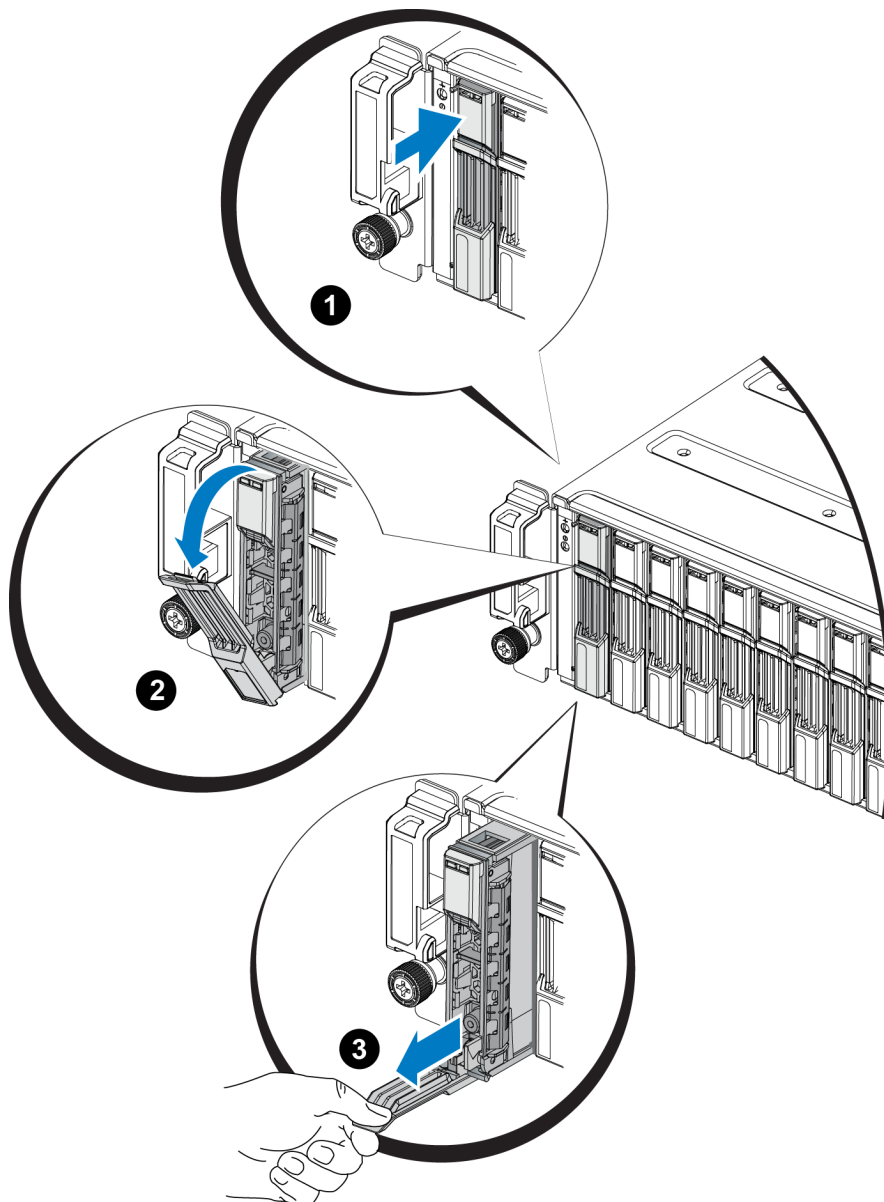
For example, when you install a drive, the timer starts. If you install another drive before 2 minutes have elapsed, the timer is restarted. If no other drives are installed, the drive is configured after a delay of 2 minutes.

- If you install a drive during RAID reconstruction or verification, the new drive will not be configured until the operation completes.

Removing a 2.5-inch Drive

1. Remove the bezel. See *Removing the Bezel on page 2*.
2. Press the release button (callout 1 in [Figure 8](#)). The drive latch opens and the drive emerges partway from the array (callout 2).
3. Pull the drive out by the handle until it is free of the drive bay (callout 3).

Figure 8: Removing a 2.5-Inch Drive

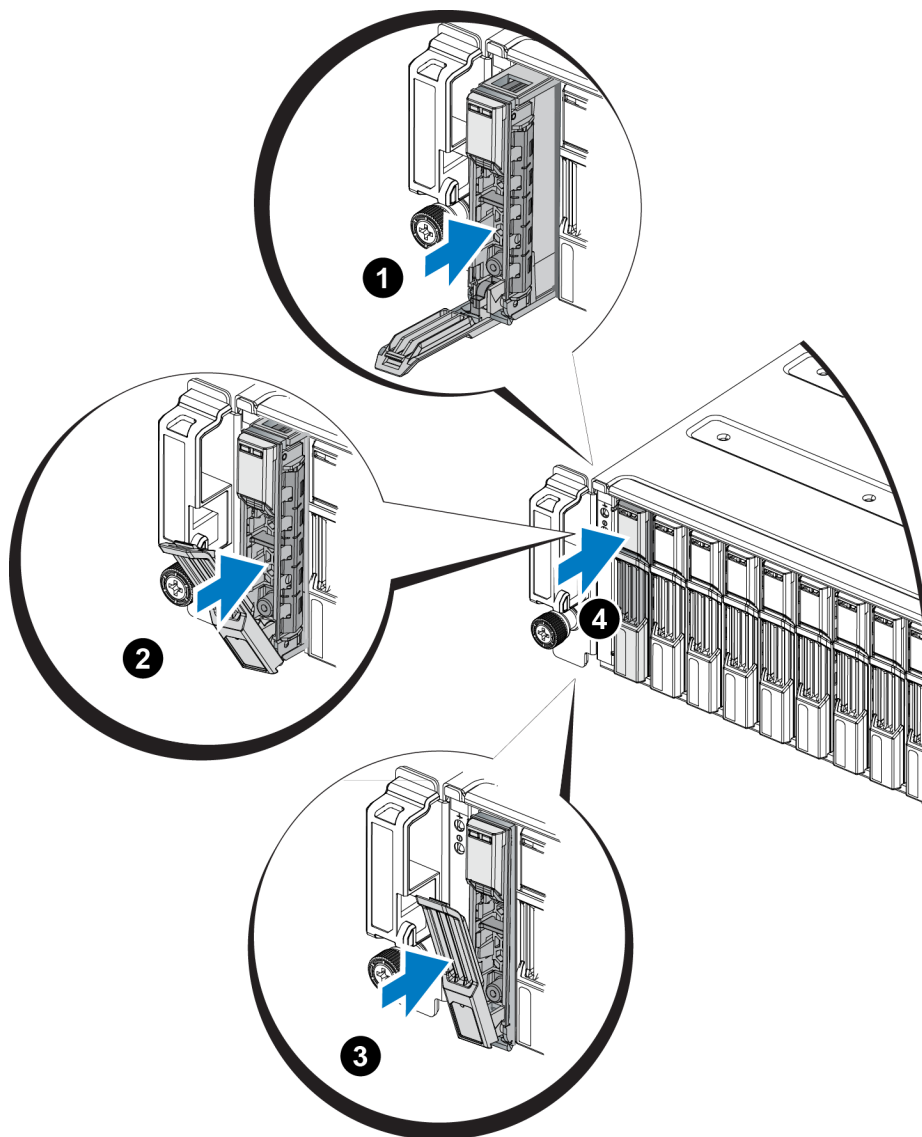


Installing a 2.5-inch Drive

The 2.5-inch drives are installed vertically, with the drive release latch on the top and the drive label on the bottom.

1. Wear electrostatic protection when handling a drive. See *Protecting Hardware on page 1*.
2. Open the drive release latch.
3. Hold the drive by the carrier and slide the drive most of the way into a slot (callout 1 in [Figure 9](#)).
4. Push the drive completely into the slot (callout 2). The drive handle will begin to close onto the drive (callout 3).
5. Push in the handle until you hear a click (callout 4).

Figure 9: Installing a 2.5-inch Drive

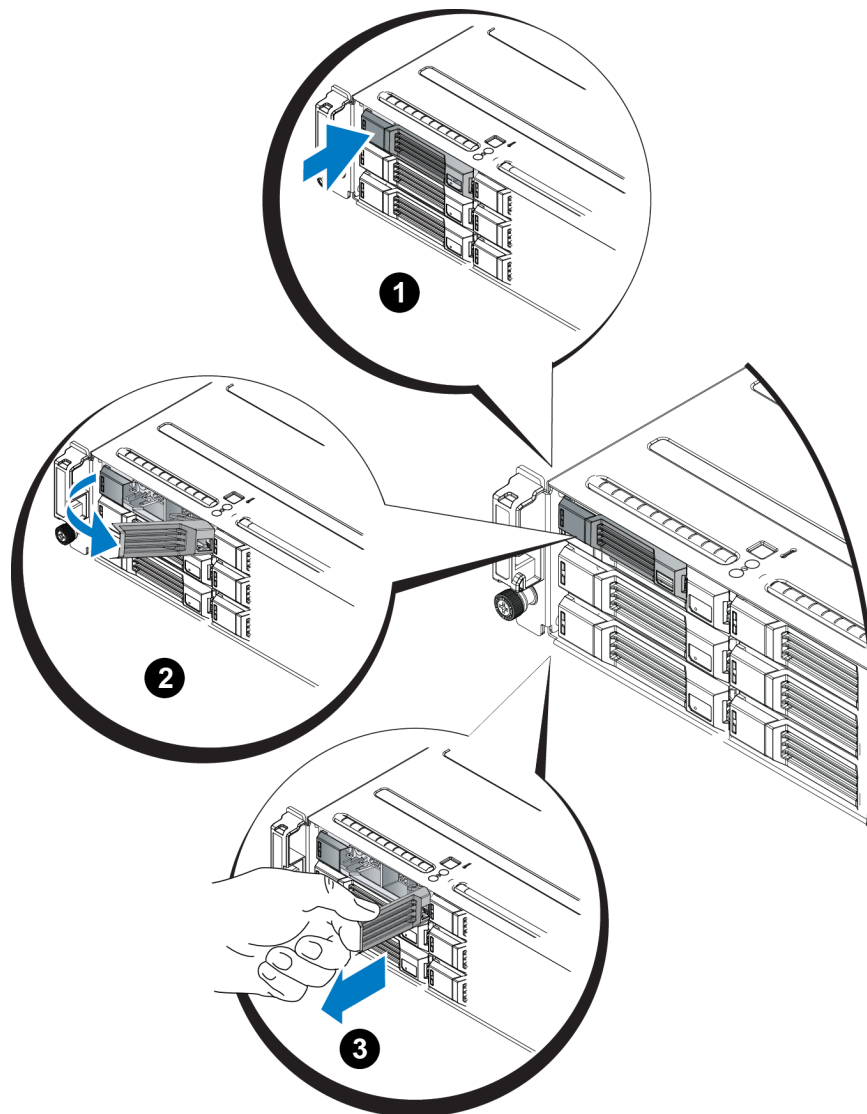


Verify that the new drive is operational by examining the LEDs on the front panel, as described in [Interpreting Drive LEDs on page 7](#). In addition, examine the GUI Member Disks window and the CLI `member select show disks` command output.

Removing a 3.5-inch Drive

1. Remove the bezel. See [Removing the Bezel on page 2](#).
2. Press the release button (callout 1 in [Figure 10](#)). The drive latch opens and the drive emerges partway from the array (callout 2).
3. Pull the drive out by the handle until it is free of the drive bay (callout 3).

Figure 10: Removing a 3.5-Inch Drive

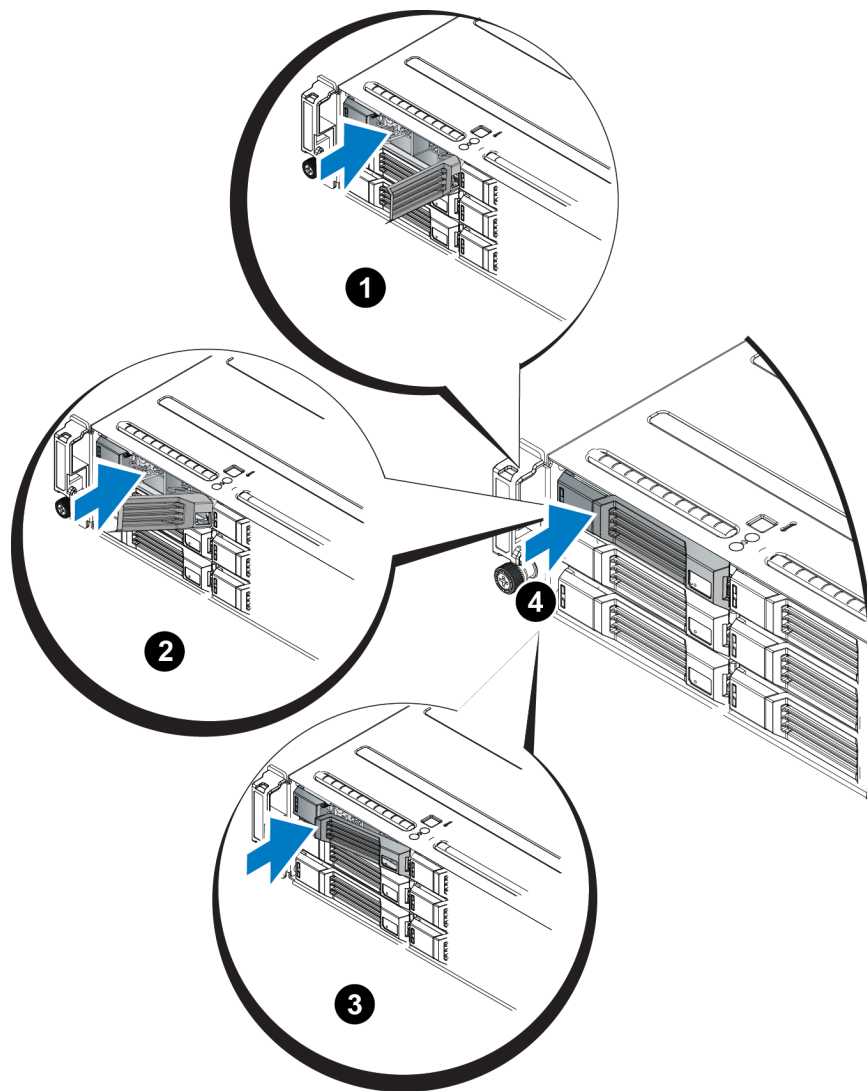


Installing a 3.5-inch Drive

The 3.5-inch drives are installed horizontally, with the drive release latch to the left and the drive label to the right.


1. Wear electrostatic protection when handling a drive. See [Protecting Hardware on page 1](#).
2. Open the drive release latch.
3. Hold the drive by the carrier and slide the drive most of the way into a slot (callout 1 in [Figure 11](#)).
4. Push the drive completely into the slot (callout 2). The drive handle will begin to close onto the drive (callout 3).
5. Push in the handle until you hear a click (callout 4).

Figure 11: Installing a 3.5-inch Drive



Verify that the new drive is operational by examining the LEDs on the front panel, as described in [Interpreting Drive LEDs on page 7](#). In addition, examine the GUI Member Disks window and the CLI `member select show disks` command output.

Removing a Drive Blank

 To maintain proper system cooling, all empty drive slots must have drive blanks installed.

1. Remove the bezel. See [Removing the Bezel on page 2](#).
2. Press the release tab and slide the drive blank out until it is free of the drive slot. See [Figure 12](#) or [Figure 13](#) and the callouts in [Table 5](#).

Figure 12: Removing and Installing a 3.5-Inch Hard-Drive Blank

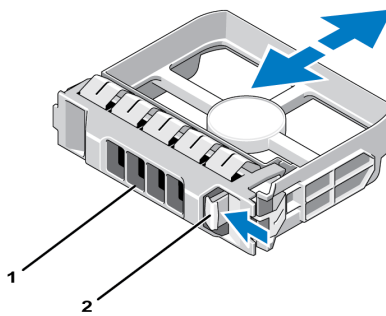


Figure 13: Removing and Installing a 2.5-Inch Hard-Drive Blank

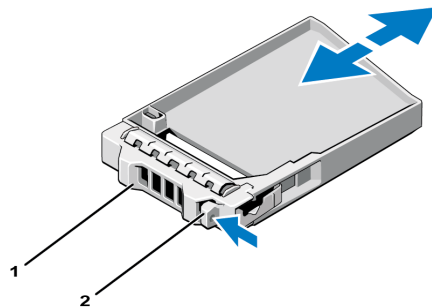


Table 5: Hard Drive Blank Callout Values

Item	Description
1	Drive blank
2	Release tab

Installing a Drive Blank

1. Remove the bezel. See [Removing the Bezel on page 2](#).
2. Insert the drive blank into the drive bay until the blank is fully seated.
3. Attach the bezel.

3 Maintaining Control Modules

Different PS Series array models contain different control module types. The combination of chassis type, control module pair, and drives determines the PS Series array model number.

The control modules in a PS Series array contain the PS Series firmware, which provides the Group Manager GUI, the command line interface, and all the array and storage management functions and features.


Ideally, an array has two control modules (which must be of the same type) to avoid a single point of failure for the array.


A PS4210 array includes two hot-swappable Type 19 control modules.

One functioning control module is required for array operation. You access control modules from the rear of the array.

Control Module Features

The Type 19 control module includes:

- Two pairs of Ethernet ports with two shared LEDs indicating status and activity:
 - One pair of 10GBASE-T ports, labeled Ethernet 0 and Ethernet 1
 - One pair of SFP+ ports, labeled Ethernet 0 and Ethernet 1 Only one of two ports with the same numbered port can be used at a time. If both ports are attached to an active switch, the control module will prefer to communicate over the SFP+ interface.
- One 10Mb/100Mbps port, labeled MANAGEMENT, for use only if you configure a management network. The management port has two LEDs to indicate status and activity. See [Configuring the Management Port on page 29](#) for more information.
- A column of LEDs labeled PWR (power), ERR (error condition) and ACT (activity) that indicate the status of the control module.
- A recessed button labeled STANDBY ON/OFF that allows you to quickly shut down the array in certain circumstances. See [About the Standby On/Off Button on page 19](#) for more information.
- One serial port (for use if no network access to the array is available).
- A field-replaceable microSD card containing the PS Series firmware. The microSD card is accessed from the rear of the control module.
- A release button and latch to release the control module from the array for replacement. The release lever has a switch that detects activation and prompts the array to save data to nonvolatile storage, thereby protecting your data.

 Do *not* mix control module types in an array. Always make sure both control modules are the same type and color. See the latest PS Series *Release Notes* for information about other supported control modules.

About Control Module Configurations

While an array can run using only one control module, it is not recommended because this configuration creates a single point of failure. If the control module fails and no other module can take over, all access to your volumes stops until the failure is repaired or the control module is replaced.

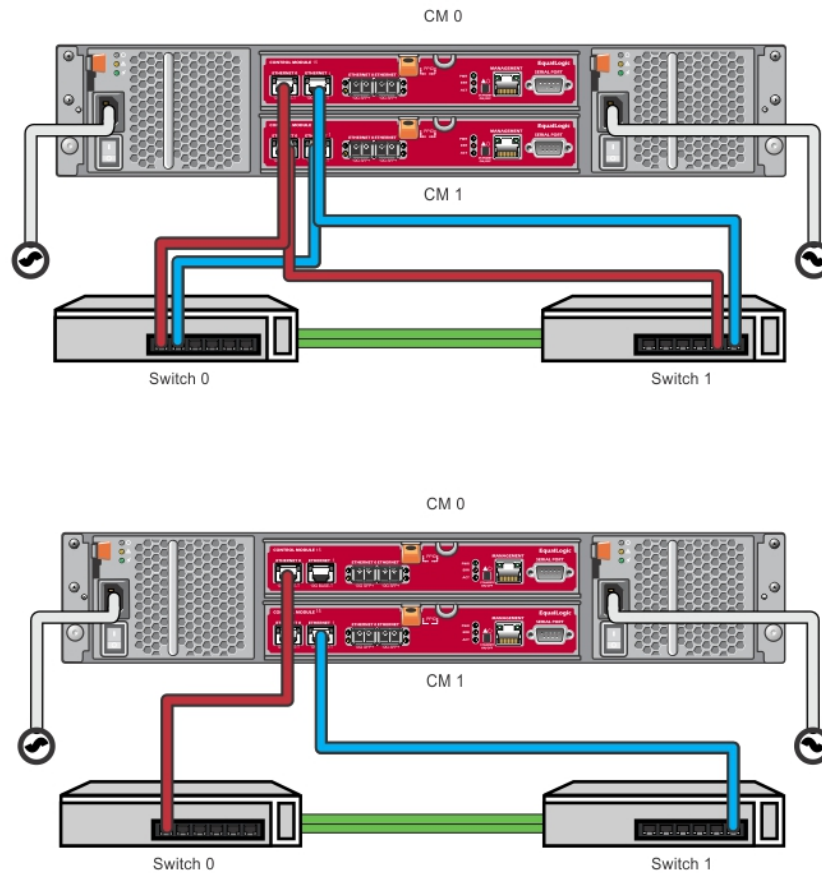
Only one control module is active (providing disk access and serving network traffic) at one time. The secondary (redundant) control module mirrors cache data from the active control module. If the active control module fails, all functions of the primary controller transfer to the secondary.

Dual Controller Configuration

A dual control module configuration eliminates a single point of failure in the array. If the active control module fails, the secondary control module takes over automatically with no interruption of service. This automatic transition gives you time to replace the failed control module while your volumes and data remain accessible.

In addition, a dual control module configuration supports a feature called vertical failover. An Ethernet port on the active control module can fail over to the same Ethernet port on the secondary control module if a network path fails. [Figure 14](#) shows a recommended configuration for vertical failover.

Figure 14: Recommended Network Configuration to Support Vertical Failover



- If a network port is available for failover on either control module, but is not currently in use, its LEDs will not be lit.
- Vertical failover is transparent to applications.

Interpreting Control Module LEDs

Control modules have the following LEDs:

- The Ethernet ports and the Management port each have LEDs that indicate the port's status and activity. See [Table 6](#).
- Below the release latch is a column of three LEDs that indicate the status of the entire control module. See [Table 7](#).

Figure 15: Control Module LEDs



Table 6: Ethernet and Management Port LED Descriptions

Ethernet LED Location	State	Description
Top (Link)	Off	No power or not connected to network.
	On (green)	Connected to network.
Bottom (Act)	Off	No power, not transmitting, or not receiving.
	On (amber)	Transmitting or receiving.
10GBASE-T Ethernet LED Location	State	Description
Left (Link)	Off	No power, not connected to network, or passive.
	On (green)	Connected to network.
Right (Act)	Off	No power, not transmitting, or not receiving.
	On (amber)	Transmitting or receiving.
SPF+ Ethernet LED Location	State	Description
Top (Link)	Off	No power, not connected to network, or passive.
	On (green)	Connected to network.
Bottom (Act)	Off	No power, not transmitting, or not receiving.
	On (amber)	Transmitting or receiving.
Management LED Location	State	Description
Left (Link)	Off	No power or not connected to network.
	On (green)	Connected to network (100mbit).
	On (amber)	Connected to network (10mbit).
Right (Act)	Off	No power, not transmitting, or not receiving.
	On (blinking green)	Transmitting or receiving.

Table 7: Control Module Status LED Descriptions

LED Name	State	Description
PWR	Off	No power.
	On (steady green)	Power/OK.
ERR	Off	Normal operation or no power.
	Steady red	Array is starting up, in error condition, in Standby mode, or returning from Standby mode.
	Blinking red	Array is entering power standby mode because the Standby On/Off button was pressed.
ACT	Off	No power, secondary control module is not synchronized with active control module, or error condition.
	Steady green	Active control module (serving network I/O).
	Steady amber	Secondary control module. Cache is synchronized with active control module.

Identifying Control Module Failures

You can identify a failure in a control module by:

- LEDs on the control module itself. See [Interpreting Drive LEDs on page 7](#).
- Messages on the console, in the event log, or in the Group Manager GUI Alarms panel.
- Group Manager GUI and CLI output. The Member Controllers window or the `member select show controllers` command output shows the control module status `not installed`.

When viewed from the rear of the array, CM0 is on the top and CM1 is on the bottom. See [Front-Panel Features and Indicators on page 3](#).

If a control module fails, contact your PS Series support provider for a replacement.

Understanding Failover Behavior

In a dual control module array, only one control module is active (processing network I/O and performing storage functions) at one time. Each control module stores recently used data.

For redundancy, the cache on the secondary control module mirrors the data that is stored in the cache on the active control module.

The active control module can use the network interfaces of the secondary control module for failover if a cable is connected from the corresponding port on the secondary control module to a functioning network switch.



The management ports on the control modules do not fail over if one control module fails. Therefore, if you are using a dedicated management network, make sure the management ports on both control modules are connected to the management network.

A PS Series array provides the following types of network failure protection:

- Vertical failover. In a dual control module array, a network port on the active control module can fail over to the same network port on the other (secondary) control module if a network path fails. For example, if Ethernet 0 on CM0 loses connectivity (switch 0 fails), Ethernet 0 on CM1 cache is enabled and utilized. See [Dual Controller Configuration on page 16](#) for details.
- Control module failover. In a dual control module array, if the active control module fails, the secondary control module automatically takes over and becomes active.

If a cable is connected to a network port on the newly active control module, network I/O can switch to its network interface. Depending on circumstances, network I/O might instead continue through the previously active control module. (For example, the control module that becomes active can use either its own local network interface, or the network interface on the previously active control module.)

Control module failover occurs automatically, and if iSCSI initiators reconnect to the group IP address, application I/O can continue without user intervention.

Maintaining Control Module Firmware

A Type 19 control module has a microSD card running the array firmware. You should run the latest firmware version to take advantage of new product features and enhancements.

△ In a dual control module array, both control modules must be running the same firmware version; otherwise, only one control module will be functional. You must update the controller with the older version firmware to the same version as the active before you update the member to a later version.

Group members should run the same firmware version; otherwise, only the functionality common to all versions will be available in the group. See the PS Series *Release Notes* for information about mixed-firmware groups.

If you are replacing a failed control module, remove the microSD card from the failed control module and install it in the replacement control module. Using the card from the failed control module ensures that you keep the correct firmware. See [Replacing the MicroSD Card on page 24](#).

To display the firmware version running on an array, examine the GUI Member Controllers window or use the following CLI command:

```
member select membername show controllers
```

If the firmware on a microSD card does not match the firmware running on an array, do not install it. Instead, contact your array support provider.

Control Module Handling Requirements

Follow these control module handling requirements:

- Do not remove an active control module.
- Protect control modules from electrostatic discharge. Always wear an electrostatic wrist strap when handling a control module. See [Protecting Hardware on page 1](#).
- Do not remove a control module from an array while the control modules are synchronizing. When synchronization completes, a console message will appear. Also, the ACT LED on the secondary control module will be orange.
- Do not leave a control module slot empty. In an array with one control module, always attach a blank face plate to the empty control module slot.
- Store control modules properly. Store a control module in its original packaging or in an antistatic bag or place the control module on a surface protected from electrostatic discharge.

About the Standby On/Off Button

The control module has a small, recessed button labeled STANDBY ON/OFF (see [Figure 16](#)). The button is recessed to prevent accidental activation.

Figure 16: Standby Button Location

Enabling the Standby Feature

To use the standby button, a group administrator must enable the feature in the Group Manager GUI or CLI.

Enabling the use of the button applies groupwide; that is, it allows you to press the button to shut down any member (array) that has the standby button (PS4100, PS4110, PS4210, PS6100, PS6110, and PS6210 array models). You do not need to enable use of the button on each member separately.



Only a user with group administrator privileges can enable the standby feature on the group. However, anyone can press the button, and the group cannot determine who put the array into standby on/off mode. Therefore, group administrators should consider their environment's security concerns before enabling this feature.

Using the Standby On/Off Button

After the feature is enabled groupwide, you can use the Standby On/Off button on either control module of any applicable member to shut down the array quickly without using the Group Manager GUI or CLI.

You must press in and hold the Standby On/Off button for at least two (2) seconds to shut down the member to the standby state. To fully shut down the array, turn off the switches on the power supply and cooling modules.

To turn the member back on, press and hold the Standby On/Off button again (and ensure the power supply switches are turned back to the on position).

Important Considerations

Use the Standby On/Off button only when you must shut down a member fast, in situations where you do not have access to the Group Manager GUI or CLI. For example, you discover a problem in your lab environment, such as high temperature or a water leak, that might damage the array.



In standby mode, all volumes that use space on that member or that are bound to that member become unavailable. All operations on the member are suspended, no I/O activity to or from the member occurs, and the member's firmware is not running.

Using the Standby On/Off button on one member does not affect any other group members, with the exception of the Group Lead member. When the group lead member is in standby mode, it takes a few minutes for the group lead to fail over to another member. You must press the standby button on each member to restore power to the member that is in standby mode. Group members that do not have the standby button remain online; to shut them down, you must use the GUI or CLI.

Replacing a Control Module

If a control module fails, remove it and replace it with a functioning control module, as described in this section.

You will need to swap the battery from the old to the new control module before inserting the replacement control module.

You will also need to temporarily remove a control module when you want to replace its microSD card. Refer to [Replacing the microSD Card on page 24](#) for information about replacing the microSD card.

You can partially or completely remove a control module without shutting down the array if the remaining control module has at least one connected and functioning network interface. The procedures for doing this type of control module replacement are described in the section that follows.

When you remove a control module, wear an electrostatic wrist strap, as described in [Protecting Hardware on page 1](#), and be sure to place it on a surface that is protected from electrostatic discharge.

Control Module Replacement Procedures

This section describes the procedures for removing and replacing one or both control modules in your PS Series array. The following replacement scenarios are covered:

- Replacing the secondary control module in an array
- Replacing the active control module in an array
- Replacing both control modules in an array

Replacing the Secondary Control Module

If the array is fully powered up and functioning, use the following procedure to replace the secondary control module in the array:

1. Remove the control module from the array, as described in [Removing a Control Module on page 22](#).
2. Remove the SD card from the control module, as described in [Removing the microSD Card on page 24](#).
3. Install the SD card in the replacement control module, as described in [Inserting the microSD Card on page 25](#).
4. Remove and swap the battery from the existing control module to the replacement control module, as described in [Battery Replacement on page 26](#).
5. Insert the replacement control module into the array, as described in [Installing a Control Module on page 23](#).

Replacing the Active Control Module

Use the following procedure to replace the active control module in the array:

1. Use the `restart` command to make the active control module secondary.
2. Remove and swap the battery from the existing control module to the replacement control module, as described in [Battery Replacement on page 26](#).
3. Install the SD card in the replacement control module.
4. Replace the control module that is now secondary (was active before the restart), as described in [Replacing the Secondary Control Module on page 21](#).

Replacing Both Control Modules

Use the following procedure to replace both control modules in the array:

1. Replace the secondary control module first, as described in [Replacing the Secondary Control Module on page 21](#).

2. Remove and swap the battery from the existing control module to the replacement control module, as described in [Battery Replacement on page 26](#).
3. Use the `restart` command to make the active control module secondary.
4. Replace the control module that is now secondary (was active before the restart), as described in [Replacing the Secondary Control Module on page 21](#).

Removing a Control Module

Before removing a control module:

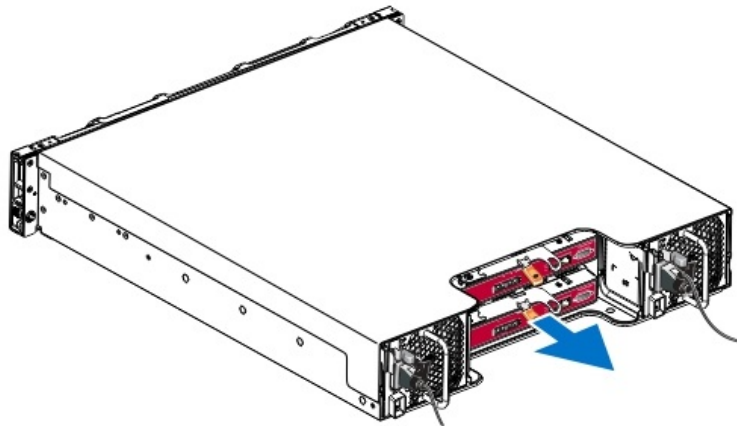
- Review the information at the beginning of [Replacing a Control Module on page 20](#).
- Attach an electrostatic wrist strap. See [Protecting Hardware on page 1](#).
- Disconnect any serial or network cables attached to the control module. If the other control module has open interface connectors, reattach the network cables to the other control module to provide uninterrupted data access.

△ Do not remove an active control module.

To remove a control module:

1. Push down on the orange release button (callout 1 in [Figure 17](#)).
2. While holding down the orange button (callout 1), swing the black release latch (callout 2) toward you. Swinging the latch starts to eject the control module from the array. Remove the control module.

Figure 17: Removing a Control Module



3. Place the control module on a flat surface where it will be protected from electrostatic discharge. To avoid damage, do not place anything on top of the control module.
4. If you are replacing a failed control module, remove the microSD card from the failed control module and install it in the replacement control module. Using the card from the failed control module ensures that the new control module is running the correct firmware and a correct array configuration. See [Replacing the MicroSD Card on page 24](#).

△ Do not operate an array for an extended period with an empty control module slot.

Return the failed control module in the packaging in which the replacement module was shipped. Contact your PS Series support provider for information about returning hardware.

Installing a Control Module

You can install a control module without shutting down the array.

△ Replace control modules with the same type only.

Control modules are installed horizontally in the array, with the Ethernet ports on the left and the serial port on the right.

Facing the rear of the array, the upper control module is CM0 and the lower control module is CM1.

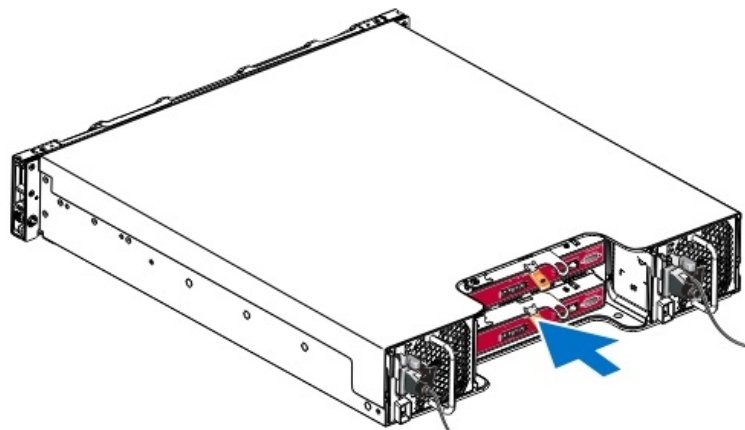
Figure 18: Correct Control Module Orientation



To install a control module:

1. Attach an electrostatic wrist strap or similar protective device. See [Protecting Hardware on page 1](#).
2. Push down on the orange release tab (callout 1 in [Figure 19](#)) and swing the lever out (callout 2).
3. Slide the control module into the chassis until it is even with the installed controller. The lever should swing smoothly until it is in the locked position.

Figure 19: Installing a Control Module



4. Rotate the lever inward, which pushes the control module completely into the slot. The latch on the lever will snap into place.
5. Connect all cables (network and serial port).

6. If the array was shut down, turn on power to the array.


7. Make sure the control module is operational. See [Interpreting Control Module LEDs on page 16](#).

The Type 19 control module contains an integral battery assembly used in the cache-to-flash feature of the control module. If the Group Manager GUI or CLI indicates a battery failure, the battery must be replaced.

If two control modules are installed in the array, but only one is shown in the GUI (or CLI), make sure that you have allowed enough time (minimum of 5 minutes) for the two control modules to boot and synchronize. When synchronization completes, a message appears on the serial console (if connected), and the ACT LED on the secondary module is illuminated amber.

If the GUI (or CLI) still shows only one control module after appropriate time has elapsed, the controller might not be properly installed. Try to remove the module by rotating the black lever and reinsert the module into the array chassis. Ensure that the face of the controller is even with the controller already installed in the array.

After reinstalling the control module, if both control modules still do not appear in the GUI (or CLI), contact your support provider.

 If you interrupt the synchronization process, you might corrupt the control module's internal firmware, and the control module will no longer function properly.

Replacing the microSD Card

Each control module includes a microSD card that contains the PS Series firmware.

If a control module fails, you will need to remove the microSD card from the failed control module and install the card in the replacement control module. Using the card from the failed control module ensures that the new control module is running the same firmware and configuration as the other control module in the array.

Before you begin the procedure to replace a microSD card:

- Review [Removing a Control Module on page 22](#) for information about removing and replacing a control module.
- Attach an electrostatic wrist strap, as described in [Protecting Hardware on page 1](#).


MicroSD Card Replacement Procedure

Use the following procedure for replacing the microSD card in your control module:

1. Remove the control module from the array, as described in [Removing a Control Module on page 22](#).
2. Remove the SD card from the control module, as described in [Removing the microSD Card on page 24](#).
3. Install the replacement SD card in the control module, as described in [Inserting the microSD Card on page 25](#).
4. Insert the control module into the array, as described in [Installing a Control Module on page 23](#).

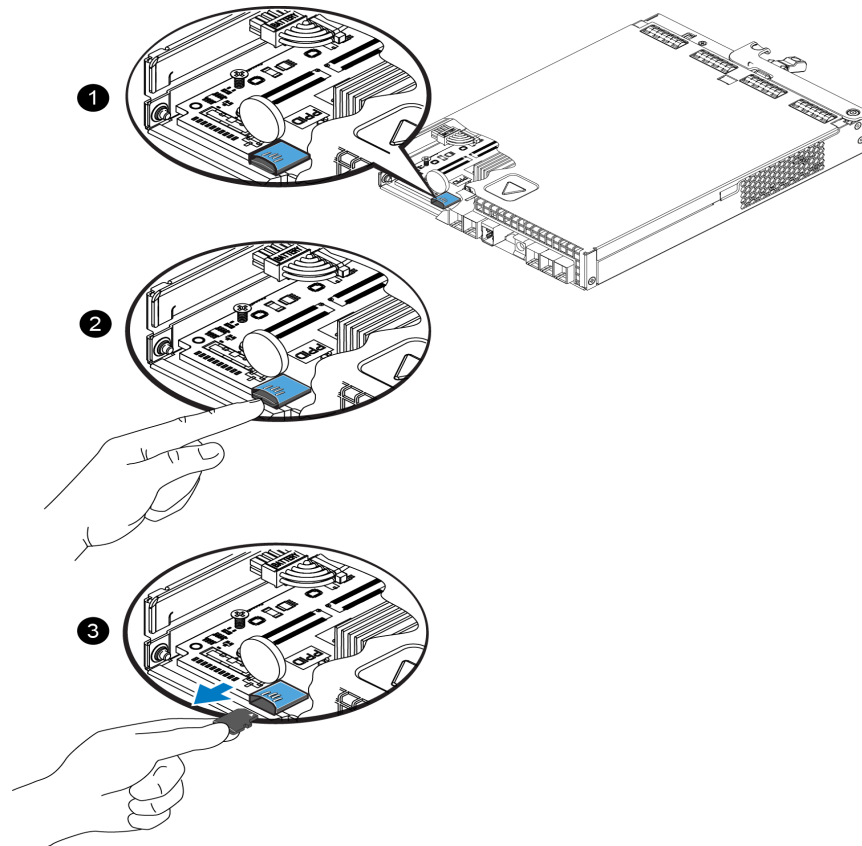
Removing the microSD Card

Callout 1 in [Figure 20](#) shows the location of the microSD card.

 To reduce the risk of losing or damaging the microSD card, do not remove it until you are ready to install it in the replacement control module.

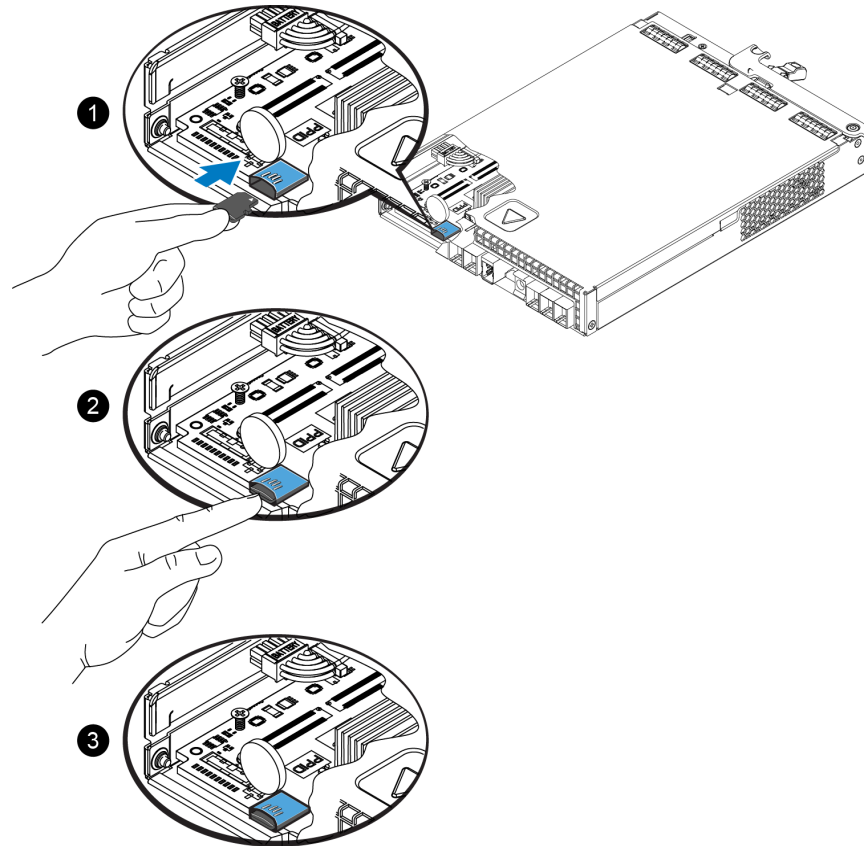
1. Firmly push the card into its housing to release the spring mechanism (callout 2 in [Figure 20](#)). The microSD card is partially ejected from the housing.
2. Gently pull the card straight out of the housing (callout 3 in [Figure 20](#)).
3. Place the microSD card on a flat surface where it will be protected from electrostatic discharge.

Figure 20: Ejecting the microSD Card



Inserting the microSD Card

1. Align the replacement microSD card so the arrow on the card points towards the housing ([Figure 21](#)). When correctly positioned, the gold contacts will be facing downward, and inward toward the housing.
2. Firmly press the card into the housing until it clicks into place. Confirm that the card is securely seated by pressing to ensure the release spring mechanism is engaged and ejects the SD card. Then reinsert the SD card and ensure it is seated securely by pulling gently on the SD card.

Figure 21: Inserting the MicroSD Card

3. Install the control module in the array. See *Installing a Control Module on page 23*.
4. Ensure the control module is operational. See *Interpreting Control Module LEDs on page 16*.

Battery Replacement

This section describes the steps that must be followed when replacing the battery in a PS Series array control module.

△ Many repairs may be done only by a certified service technician. You should perform troubleshooting and simple repairs only as authorized in your product documentation, or as directed by the online or telephone service and support team. Damage due to servicing that is not authorized by Dell is not covered by your warranty. Read and follow the safety instructions that came with your system.

✍ For information on removing and reinstalling system parts, see the system's Hardware Owner's Manual, available at support.equallogic.com.

Control Module Handling Requirements

Follow these control module handling requirements:

- Do not remove an active control module.
- Protect control modules from electrostatic discharge. Always wear an electrostatic wrist strap when handling a control module.

Shipping Requirements

If you plan to move a previously installed array geographically, for safety reasons, discharge the battery to a lower charge level. To discharge the battery, shut down the array using the `halt -b` command. This command also places the smart battery into ship mode, which minimizes further charge loss while in storage/transport.

When you reinstall the array, on first power up, there will be a delay of up to 20 minutes while the batteries charge back up to 100 percent.

Before You Begin

1. Ensure that the control module that you are going to be replacing the battery on is in secondary mode. If it is active, fail the control module over so that it becomes the secondary one.

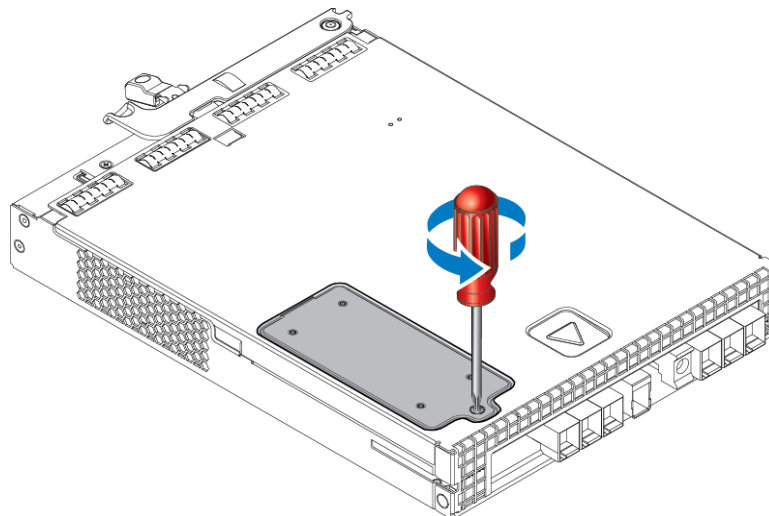
To make the control module secondary:

- a. Click `Group`.
 - b. Expand `Members` and select the member name.
 - c. Click the `Controllers` tab to display the status of the control module.
 - d. Click the `Maintenance` tab, and click `restart`.
2. If applicable, label the network cables on the secondary control module so that you can reinstall them correctly later.

Remove the Battery

1. Disconnect the network cables from the secondary control module.
2. Remove the secondary control module and place it on a static-safe work area with the battery cover facing up.
3. The battery cover, which holds the battery and related electronics, is held in place by a single screw. This screw is not captive. Loosen the screw using a Phillips #2 screwdriver (Figure 22), remove the screw from the hole, and set it aside.

Figure 22: Removing the Screw From the Battery Cover

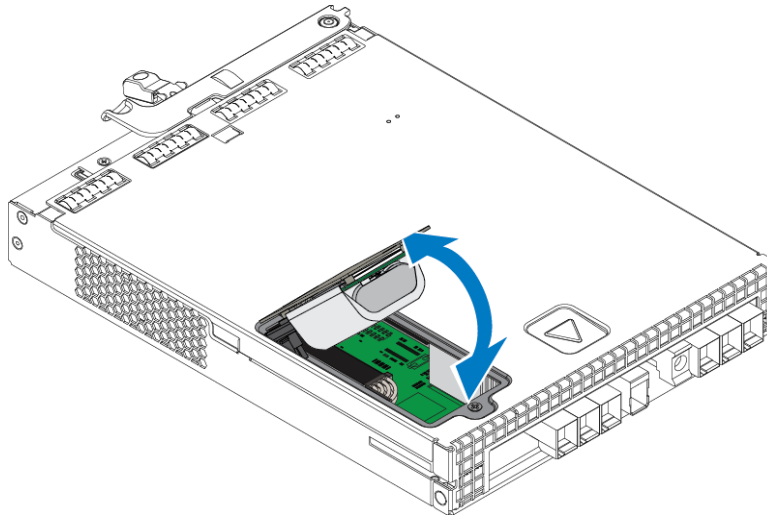




Set the screw aside before you remove the cover; otherwise, the screw might fall inside the control module. If this occurs, you might have to return the control module to Dell for servicing.

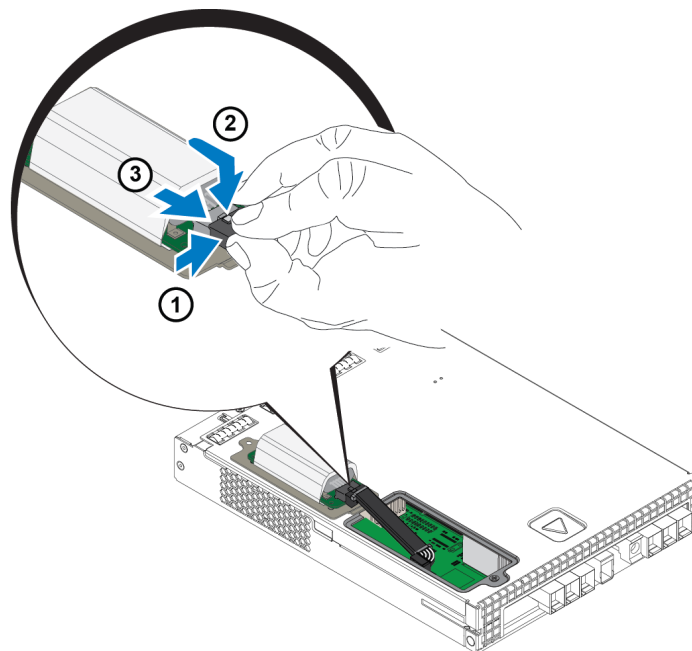
- Using the screw tab as a handle, swing the battery cover up and to the left and lay it upside down on the control module (Figure 23). The battery cover will be heavier than expected because the battery is attached to the cover.

Figure 23: Removing the Battery Cover




- The connector that connects to the battery unit is held in place by a retaining clip, which must be depressed to remove the connector, as shown in Figure 24. Grasp the outside of the connector, while simultaneously depressing the retaining clip, and wiggle the connector gently side to side while pulling outward to remove it. Set the old battery unit aside.

Figure 24: Disconnecting the Battery



Insert the New Battery

1. Attach the new battery unit to the connector, and gently wiggle and push the connector in place to seat it. You do not need to depress the retention clip to insert the connector. When the connector is fully seated, you should hear the retention clip 'click' into place.
2. Place the new battery unit in the chassis by reversing the procedure from step 5 for removing the battery.
 -  You might need to slightly reposition the cable inside the control module to get it out of the way and ensure easy reassembly. Make sure that the cable is not pinched between the battery cover and the control module chassis.
3. Reinsert the screw and tighten gently.
4. Reinsert the control module and reconnect the cables.

Return or Dispose of the Old Battery

The manner in which to dispose of rechargeable batteries varies by country. Make sure that you dispose of your old battery in a way that conforms to your country's regulations. Alternately, you can return the old battery back to Dell for proper disposal. See [Shipping Requirements on page 27](#).


Advanced Networking Options

In addition to connecting all the Ethernet ports (of the same type) on both control modules to network switches, you can also optionally connect the Management port to a separate network switch.

Configuring a management port enables you to separate management traffic (creating and managing the group, members, volumes, replication, and so on) from the iSCSI data traffic (I/O between applications and volumes, and between replication partners).

Configuring the Management Port

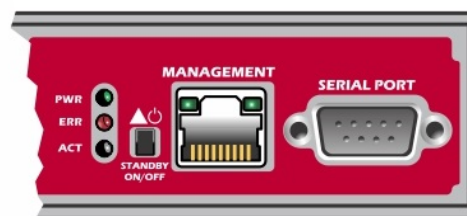
Configuring the 10/100Mbps management port involves hardware steps and software steps. The management port is restricted to group management traffic only; it will not carry iSCSI I/O.

-  Configuring this port is considered an advanced configuration, available if your environment requires this level of security.

Hardware Steps

1. Make sure your network environment can support a dedicated management network, with a subnet that is separate from the subnets for iSCSI traffic.
2. On both control modules, connect the port labeled MANAGEMENT to the management network. The location of the management port is shown in .

Figure 25: Management Port Location



Software Steps

See the *Dell EqualLogic Group Manager Administrator's Manual* for the procedure to configure the management network in the Group Manager GUI.

4 Maintaining Power Supply and Cooling Modules

The array can support two hot-swappable power supply and cooling modules.

The array is capable of operating with one power supply cooling module temporarily, but both power supply cooling modules are required to maintain long-term cooling and reliability of the array.

About Power Supplies

The PS Series array receives power from two power supplies (PSUs).

The PS4210 array contains two 700-watt PSUs, used in the 2U array. Each 700W power supply contains two cooling fans.

The cooling fans contained in the power supply unit are not serviceable. If fan failures occur, the entire power supply unit must be replaced.

Identifying Power Supply Failures

You can identify a power supply and cooling module failure by any or all of the following methods:

- **LEDs** on the power supply and cooling modules. See [Power Supply LEDs on page 31](#) for details.
- **Messages** on the console, in the event log, or in the Group Manager GUI Alarms panel.
- **Group Manager GUI and CLI output.** The GUI Member Enclosure window or the CLI `member select member name show enclosure` command shows a power supply and cooling module failure.



When viewing the rear of the array, power supply 0 is on the left and power supply 1 is on the right.

Power Supply LEDs

The power supplies and cooling modules have LEDs that indicate their status.

[Figure 26](#) illustrates the power supply LEDs. [Table 8](#) describes these LEDs.

Figure 26: 700W Power Supply LEDs

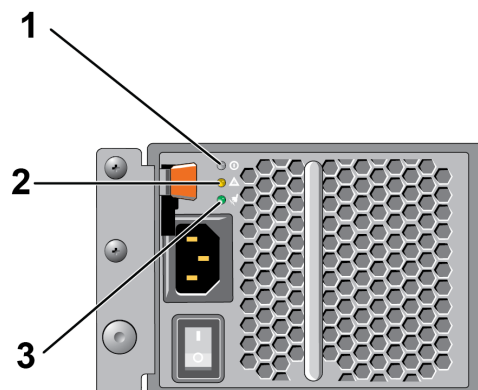


Table 8: Power Supply LED Descriptions

Item	LED	Color	State
1	DC power	Green	<p>ON—Normal operation. Power supply is connected to AC power and the power switch is on. The power supply module is supplying DC power to the array.</p> <p>OFF when any of these conditions is true:</p> <ul style="list-style-type: none"> • The power switch is off. • The power supply is not connected to AC power. • A fault condition is occurring (item 2). <p>For a list of warning or critical level faults, see the <i>Dell EqualLogic Group Manager Administrator's Manual</i>.</p>
2	Fault	Amber	<p>ON—Fault detected.</p> <p>OFF—OK.</p> <p>Blinks briefly when power is first turned on to the power supply module.</p>
3	AC power	Green	<p>ON—Power supply module is connected to a source of AC power whether or not the power switch is on.</p> <p>OFF—Power supply module is completely disconnected from any source of AC power.</p>



Under normal conditions, the AC and DC power LEDs are lit at the same time.

Removing a Power Supply and Cooling Module

Although an array can operate with only one working module, if a power supply and cooling module fails, you must replace the module as soon as possible. For proper array cooling, do not remove a failed module until you are ready to replace it.



You can remove a power supply and cooling module from an array without affecting array operation if the second module is installed and functioning. However, to maintain proper airflow in the array, a power supply and cooling module must be replaced within five (5) minutes of removing it. Otherwise, if possible, cleanly shut down the array before removing the module, as described in [Shutting Down and Restarting an Array on page 4](#).

How to Remove a Power Supply

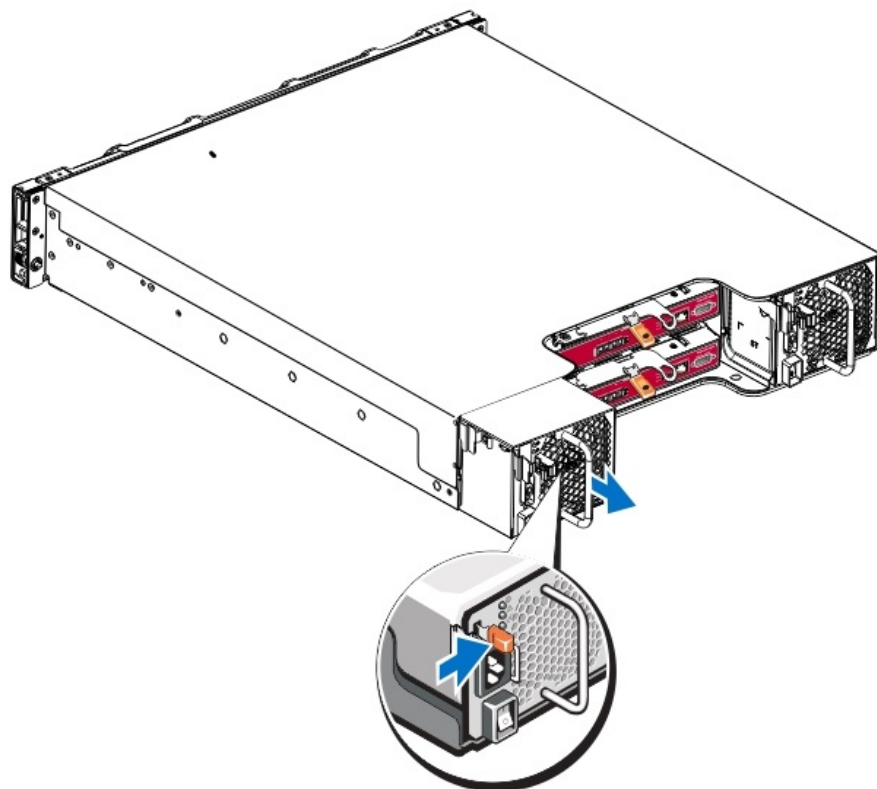
Wear electrostatic protection when handling a power supply and cooling module. See [Protecting Hardware on page 1](#).

To remove a power supply and cooling module:

1. Turn off the power switches on the power supply and cooling module.
2. Disengage the hook-and-loop fastener from around the power cable.
3. Remove the power cable.
4. With your right hand, hold the handle and push the orange release latch to the right with your thumb.
5. Pull the module from the slot, as shown in [Figure 27](#).

△ The module is heavy. Support it with two hands.

Figure 27: Removing a Power Supply and Cooling Module



Installing a Power Supply and Cooling Module

To install a power supply and cooling module:

1. Hold the power supply module so that the orange release latch is on the upper left.
2. Slide the power supply and cooling module into the chassis until it is fully seated and the release latch clicks into place, as illustrated in [Figure 28](#).


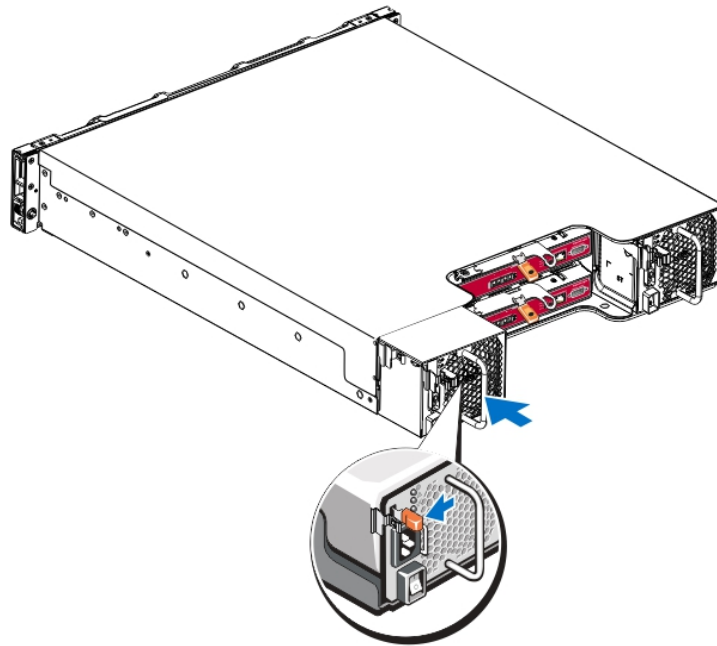
 Before the power cable is connected, the fans start spinning, powered by the other power supply module.

Figure 28: Inserting a Power Supply and Cooling Module


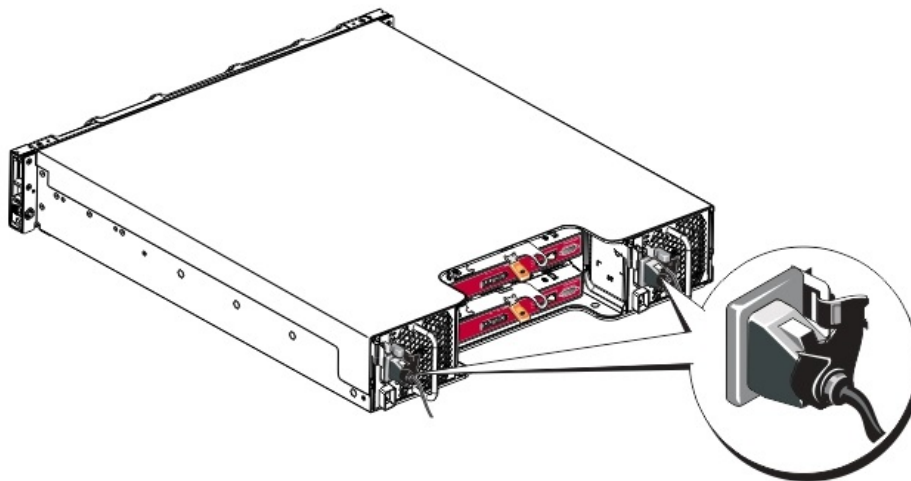
3. Ensure the power switch is in the OFF position.
4. Connect the power cable to the power supply and cooling module and plug the cable into a power outlet.
 The AC LED lights up when the power cable is connected, even if the switches on the power supply are off.
5. Secure the power cable using the hook-and-loop fastener strap, as shown in [Figure 29](#) .
6. Turn on the switch on the power supply and cooling module.

Figure 29: Securing the Power Cables

5 Troubleshooting Your Array

Safety First—For You and Your Array

Many repairs may be done only by a certified service technician. You should perform troubleshooting and simple repairs only as authorized in your product documentation, or as directed by the online or telephone service and support team. Damage due to servicing that is not authorized by Dell is not covered by your warranty. Read and follow the safety instructions that came with the product.

Determining Service Tag Information

Each array has a service tag with a number. You might need to provide this information to customer support when you contact us. The service tag label is visible on the front of the array, on the right bezel latch block.

Obtaining Component Diagnostics

You can collect diagnostic information for one or more members of a PS Series group through the Group Manager GUI or the CLI. See the *Dell EqualLogic Group Manager Administrator's Manual* or the *Dell EqualLogic Group Manager CLI Reference Guide* for more information.

Array Startup Failure

If your system halts during startup, check the following areas:

- The array fault LEDs are lit. See [Front-Panel Features and Indicators on page 3](#).
- A constant scraping or grinding sound occurs when you access the hard drive. See [Contacting Dell on page v](#)

Loss of Array Connections

- Verify that the control module port link status LED and the control module status LED are solid green for one of the ports in each pair as described by the vertical port failover section of this document. If the LEDs are not solid green, see [Control Module Features on page 15](#).
- Make sure that all the cables are attached correctly.

If the problem is not resolved, see [Contacting Dell on page v](#).

Loss of External Connections

- Verify that the cables are connected to the correct Ethernet port and, if applicable, to Management ports before troubleshooting any external devices.
- Make sure that the power cables are securely attached to the power supply modules on your array.

Power Supply Failure

1. Locate the faulty power supply and determine the status of the LEDs.


If the power LED is not lit, check the power cord and power source into which the power supply is connected.

- Connect another device to the power source to verify if it is working.
- Connect the cable to a different power source.

- Replace the power cable.


If the problem is not resolved, or if the power supply's fault indicator is lit, see [Contacting Dell on page v](#).

Power supply and cooling modules are hot-swappable.

 Dell does not recommend hot-swapping a DC power supply module.

The array can operate on a single power supply; however, both modules must be installed to ensure proper cooling. A single power supply and cooling module can be removed from a powered-on array for a maximum of 5 minutes.

2. Reseat the power supply by removing and reinstalling it. See [Removing a Power Supply and Cooling Module on page 32](#).

 After installing a power supply, allow several seconds for the array to recognize the power supply and to determine if it is working properly.

If the problem is not resolved, see [Contacting Dell on page v](#).

Array Cooling Problems

Check for and correct any of the following situations:

- Fan failures—review member status in the GUI or CLI messages indicating fan failure. Fan failures will require replacement of a power supply unit.
- Empty drive bays (no drive or drive blank) or empty controller slot.
- Ambient temperature is too high. See the Technical Specifications for the array in the *Dell EqualLogic PS4210 Series Array Installation and Setup Guide*.
- External airflow is obstructed by cables or other items in the rack.

If the problem is not resolved, see [Contacting Dell on page v](#).

Control Module Failures

1. Check the control module status LEDs. See [Interpreting Control Module LEDs on page 16](#) for more information.
2. Reseat the control module and wait for 30 seconds. See [Replacing a Control Module on page 20](#).

If the problem is not resolved, see [Contacting Dell on page v](#).

Faulty Hard Drives

Check the hard drive indicators before removing the faulty drive from the array. Confirm that the drive in question is also identified as being faulty in the GUI, console log or monitoring log.

- Remove the drive from the array and replace the drive as soon as possible. See [Removing a 2.5-inch Drive on page 10](#) and [Removing a 3.5-inch Drive on page 12](#).

If the problem is not resolved, see [Contacting Dell on page v](#).

Index

A

array

- cooling 31
- fans 31
- firmware 19
- LEDs 7, 16
- power supplies 31
- shutdown procedure 4

B

battery 24, 26

bezel

- installing 2
- removing 2

C

control modules

- batteries 15
- checking proper installation 24
- failover behavior 18
- failure indications 18
- features 15
- firmware requirements 19
- firmware version 19
- handling requirements 19
- installing in array 23
- LEDs 16
- locating 18
- management port 15
- removing from array 20
- synchronizing 19
- verifying operational status 24

cooling module

- removing PSU 32

D

disks

- failure behavior 8
- failure indications 7
- handling requirements 9
- LEDs 7
- locating 7
- protecting 9
- verifying operational status 12, 14

E

electrostatic discharge 1
electrostatic wrist strap 1

F

failover

- control module 18

failure indications

- control modules 18
- disks 7

fans

- removing PSU 32

firmware

- identifying version 19
- requirements 19

front panel

- features 3

I

identifying the firmware version 19

indicators

- power 3

installing

- drive blank 14
- front bezel 2
- power supply/cooling fan module 33

L

LEDs

- control module 16
- disks 7
- network interfaces 16

M

microSD card

- firmware requirements 19
- inserting 25
- removing 24

N

network

- failure protection 18

network interfaces

- LEDs 16

P

power indicators [3](#)

power supplies

removing [32](#)

PS Series array

protecting from discharge [1](#)

R

recommended tools [1](#)

removing

3.5-inch drive [10](#), [12](#)

requirements

control modules [19](#)

cooling [32](#)

disks [9](#)

firmware [19](#)

power [32](#)

S

safety [35](#)

shutting down an array [4](#)

standby button [19](#)

status

control modules [18](#)

T

troubleshooting [35](#)

connections [35](#)

cooling problems [36](#)

external connections [35](#)

power supply/cooling fan module [35](#)

startup failure [35](#)

V

vertical failover [16](#)