

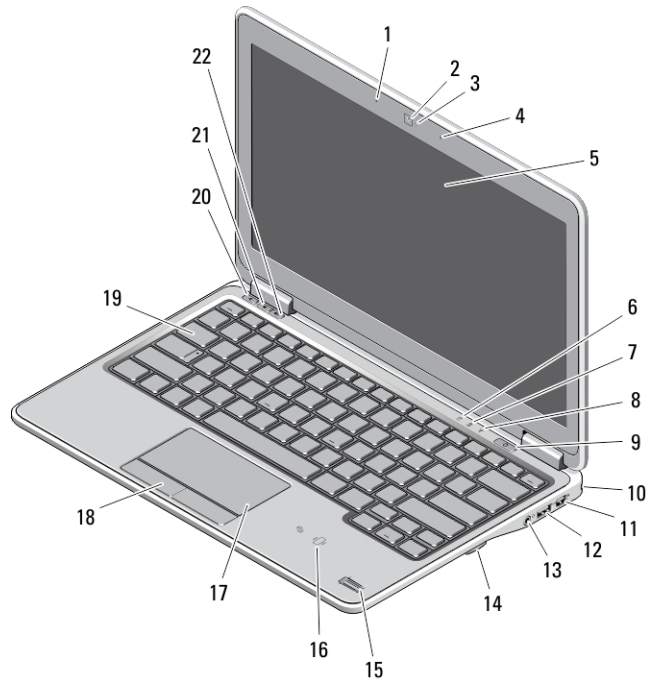
# Dell Latitude E7240/E7440

## Setup and Features Information

### About Warnings

 **WARNING:** A WARNING indicates a potential for property damage, personal injury, or death.

### Latitude E7240 — Front and Back View



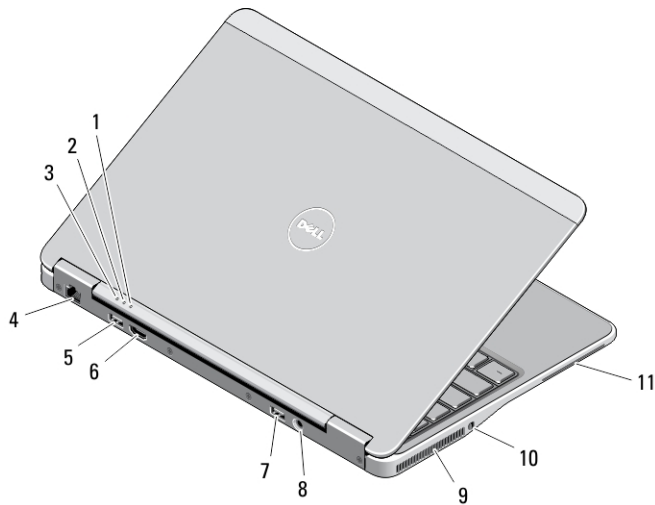
**Figure 1. Front View**

- |                                 |                                    |
|---------------------------------|------------------------------------|
| 1. microphone                   | 12. USB 3.0 connector              |
| 2. camera                       | 13. audio and microphone connector |
| 3. camera status light          | 14. SD card reader                 |
| 4. microphone                   | 15. fingerprint reader             |
| 5. display                      | 16. contactless smart-card reader  |
| 6. hard-drive status light      | 17. touchpad                       |
| 7. battery status light         | 18. touchpad buttons (2)           |
| 8. wireless status light        | 19. keyboard                       |
| 9. power button                 | 20. mute button                    |
| 10. security lock slot          | 21. volume down button             |
| 11. mini Display Port connector | 22. volume up button               |



042N34A00

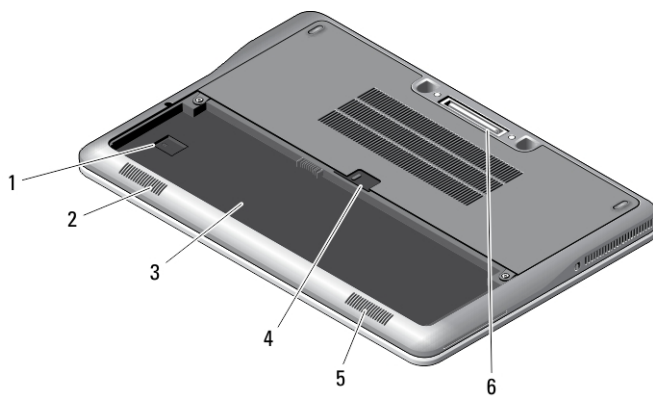
Regulatory Model : P22S, P40G  
Regulatory Type : P22S001, P40G001  
2013-04



**Figure 2. Back View**

- |                              |                                      |
|------------------------------|--------------------------------------|
| 1. power status light        | 7. USB 3.0 connector with PowerShare |
| 2. hard-drive activity light | 8. power connector                   |
| 3. battery status light      | 9. cooling vents                     |
| 4. network connector         | 10. wireless switch                  |
| 5. USB 3.0 connector         | 11. smart card slot                  |
| 6. HDMI connector            |                                      |

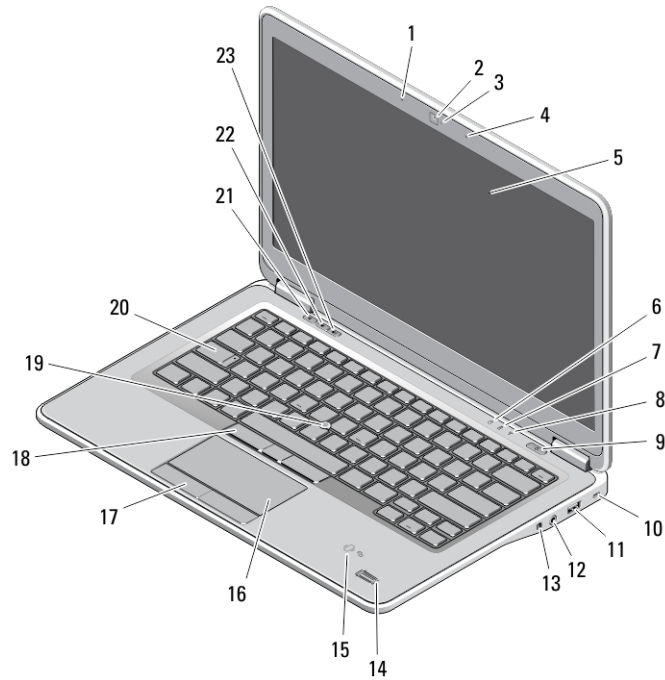
## Base View



**Figure 3. Base View (without battery)**

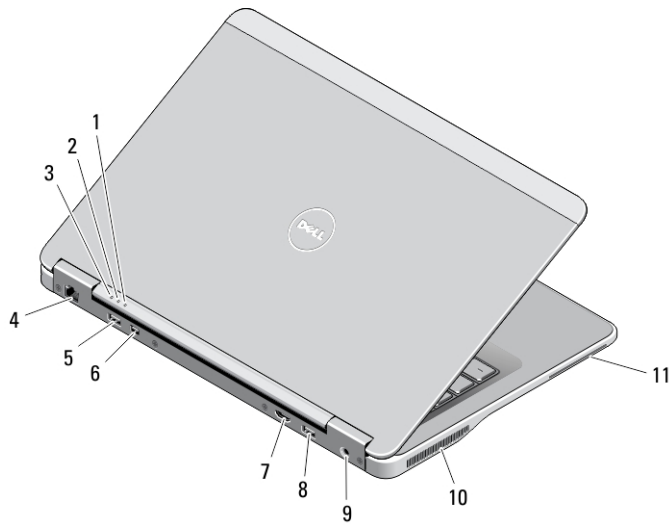
- |                  |                      |
|------------------|----------------------|
| 1. USIM slot     | 5. speaker           |
| 2. speaker       | 6. docking connector |
| 3. battery bay   |                      |
| 4. battery latch |                      |

## Latitude E7440 — Front and Back View



**Figure 4. Front View**

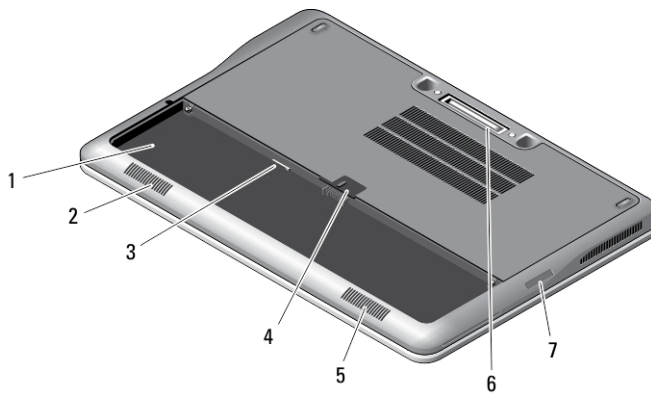
- |                                    |                                   |
|------------------------------------|-----------------------------------|
| 1. microphone                      | 13. wireless switch               |
| 2. camera                          | 14. fingerprint reader            |
| 3. camera status light             | 15. contactless smart-card reader |
| 4. microphone                      | 16. touchpad                      |
| 5. display                         | 17. touchpad buttons (2)          |
| 6. hard-drive status light         | 18. trackstick buttons (3)        |
| 7. battery status light            | 19. trackstick                    |
| 8. wireless status light           | 20. keyboard                      |
| 9. power button                    | 21. mute button                   |
| 10. security lock slot             | 22. volume down button            |
| 11. USB 3.0 connector              | 23. volume up button              |
| 12. audio and microphone connector |                                   |



**Figure 5. Back View**

- |                               |                                      |
|-------------------------------|--------------------------------------|
| 1. power status light         | 7. HDMI connector                    |
| 2. hard-drive activity light  | 8. USB 3.0 connector with PowerShare |
| 3. battery status light       | 9. power connector                   |
| 4. network connector          | 10. cooling vents                    |
| 5. USB 3.0 connector          | 11. smart card slot                  |
| 6. mini DisplayPort connector |                                      |





## Base View



**Figure 6. Base View (without battery)**

- |                  |                      |
|------------------|----------------------|
| 1. battery bay   | 5. speaker           |
| 2. speaker       | 6. docking connector |
| 3. USIM slot     | 7. SD card reader    |
| 4. battery latch |                      |

# Quick Setup

-  **WARNING:** Before you begin any of the procedures in this section, read the safety information that shipped with your computer. For additional best practices information, see [www.dell.com/regulatory\\_compliance](http://www.dell.com/regulatory_compliance)
-  **WARNING:** The AC adapter works with electrical outlets worldwide. However, power connectors and power strips vary among countries. Using an incompatible cable or improperly connecting the cable to the power strip or electrical outlet may cause fire or equipment damage.
-  **CAUTION:** When you disconnect the AC adapter cable from the computer, grasp the connector, not the cable itself, and pull firmly but gently to avoid damaging the cable. When you wrap the AC adapter cable, ensure that you follow the angle of the connector on the AC adapter to avoid damaging the cable.
-  **NOTE:** Some devices may not be included if you did not order them.

1. Connect the AC adapter to the AC adapter connector on the computer and to the electrical outlet.

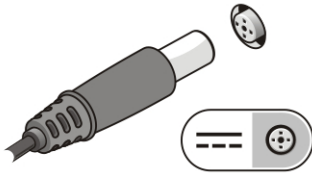


Figure 7. AC Adapter

2. Connect the network cable (optional).

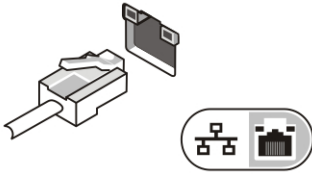


Figure 8. Network Connector

3. Connect USB devices, such as a mouse or keyboard (optional).

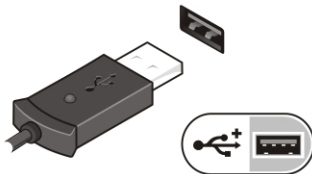



Figure 9. USB Connector


4. Open the computer display and press the power button to turn on the computer.



Figure 10. Power Button

 **NOTE:** It is recommended that you turn on and shut down your computer at least once before you install any cards or connect the computer to a docking device or other external device, such as a printer.

## Specifications

 **NOTE:** Offerings may vary by region. The following specifications are only those required by law to ship with your computer. For more information regarding the configuration of your computer, click **Start** → **Help and Support** and select the option to view information about your computer.

---

<b>Power:</b>	
Voltage	100 VAC to 240 VAC
Wattage	65 W
Coin-cell battery	3 V CR2032 lithium coin cell

---

<b>Physical</b>	<b>Latitude 7240</b>	<b>Latitude 7440</b>
Height	20.0mm (0.79 inch)	21.0 mm (0.8 inches)
Width	310.5 mm (12.2 inches)	337.0 mm (13.2 inches)
Depth	211.0 mm (8.3 inches)	231.5 mm (9.1 inches)
Weight (with 3-cell battery)	1.36 kg (2.99 lbs)	1.63 kg (3.6 lbs)

---

<b>Environmental</b>	
Operating Temperature:	0 °C to 60 °C (32 °F to 140 °F)

---

## Information para NOM (únicamente para México)

The following information is provided on the device described in this document in compliance with the requirements of the official Mexican standards (NOM).

Voltaje de alimentación	100 V CA – 240 V CA
Frecuencia	50 Hz – 60 Hz
Consumo eléctrico	1,50 A~2,50 A
Voltaje de salida	19,50 V de CC
Intensidad de salida	3,34 A/4,62 A

## Finding More Information and Resources

See the safety and regulatory documents that shipped with your computer and the regulatory compliance website at [www.dell.com/regulatory\\_compliance](http://www.dell.com/regulatory_compliance) for more information on:

- Safety best practices
- Regulatory certification
- Ergonomics

See [www.dell.com](http://www.dell.com) for additional information on:

- Warranty
- Terms and Conditions (U.S. only)
- End User License Agreement

Additional information on your product is available at [www.dell.com/support/manuals](http://www.dell.com/support/manuals)

© 2013 Dell Inc.

Trademarks used in this text: Dell™, the DELL logo, Dell Precision™, Precision ON™, ExpressCharge™, Latitude™, Latitude ON™, OptiPlex™, Vostro™, and Wi-Fi Catcher™ are trademarks of Dell Inc. Intel®, Pentium®, Xeon®, Core™, Atom™, Centrino®, and Celeron® are registered trademarks or trademarks of Intel Corporation in the U.S. and other countries. AMD® is a registered trademark and AMD Opteron™, AMD Phenom™, AMD Sempron™, AMD Athlon™, ATI Radeon™, and ATI FirePro™ are trademarks of Advanced Micro Devices, Inc. Microsoft®, Windows®, MS-DOS®, Windows Vista®, the Windows Vista start button, and Office Outlook® are either trademarks or registered trademarks of Microsoft Corporation in the United States and/or other countries. Blu-ray Disc™ is a trademark owned by the Blu-ray Disc Association (BDA) and licensed for use on discs and players. The Bluetooth® word mark is a registered trademark and owned by the Bluetooth® SIG, Inc. and any use of such mark by Dell Inc. is under license. Wi-Fi® is a registered trademark of Wireless Ethernet Compatibility Alliance, Inc.