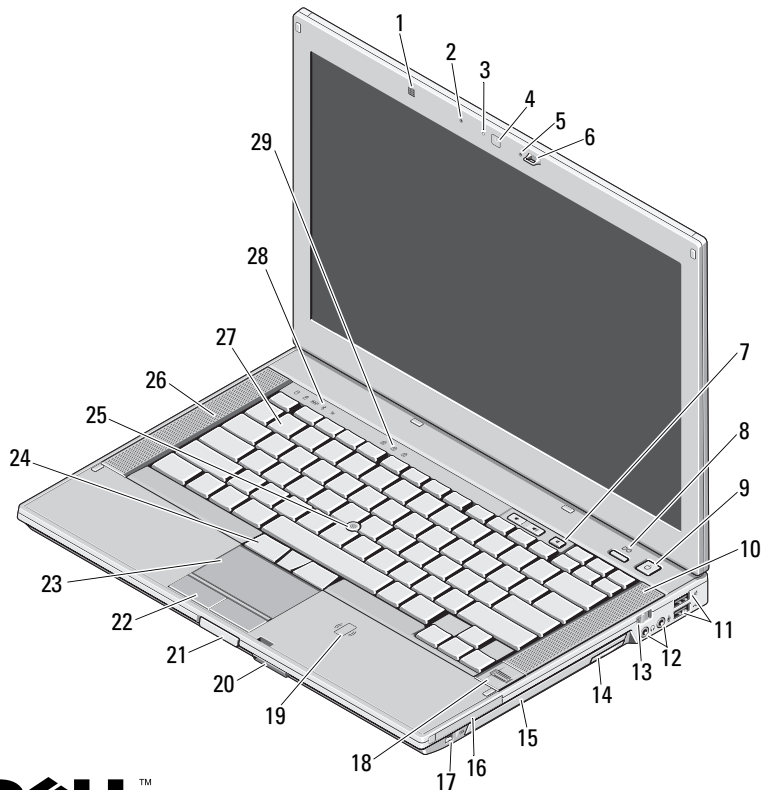


Dell™ Latitude™ E6410/E6410 ATG

Setup and Features Information

Latitude E6410 — Front View



About Warnings



WARNING: A WARNING indicates a potential for property damage, personal injury, or death.

- | | |
|---|--|
| 1 ambient light sensor | 2 microphone |
| 3 camera LED (optional) | 4 camera (optional) |
| 5 microphone | 6 display latch |
| 7 volume control buttons | 8 Latitude ON™ button |
| 9 power button | 10 right speaker |
| 11 USB 2.0 connectors (2) | 12 audio connectors |
| 13 wireless switch | 14 optical drive removal button |
| 15 optical drive | 16 PC card or Express card slot |
| 17 IEEE 1394 connector | 18 fingerprint reader (optional) |
| 19 contactless smart card reader (optional) | 20 Secure Digital (SD) and MMC card slot |
| 21 display latch release button | 22 touchpad buttons |
| 23 touchpad | 24 trackstick buttons |
| 25 trackstick | 26 left speaker |
| 27 keyboard | 28 device status lights |
| 29 keyboard status light | |



Regulatory Model: PP27LA

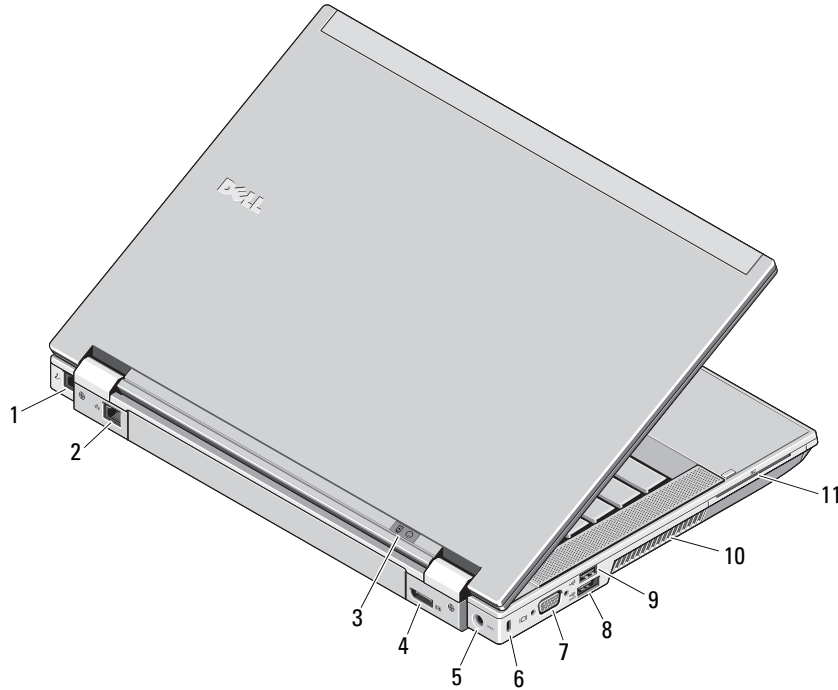
Regulatory Type: PP27LA001

February 2010



0NC7NVA00

Latitude E6410 — Back View

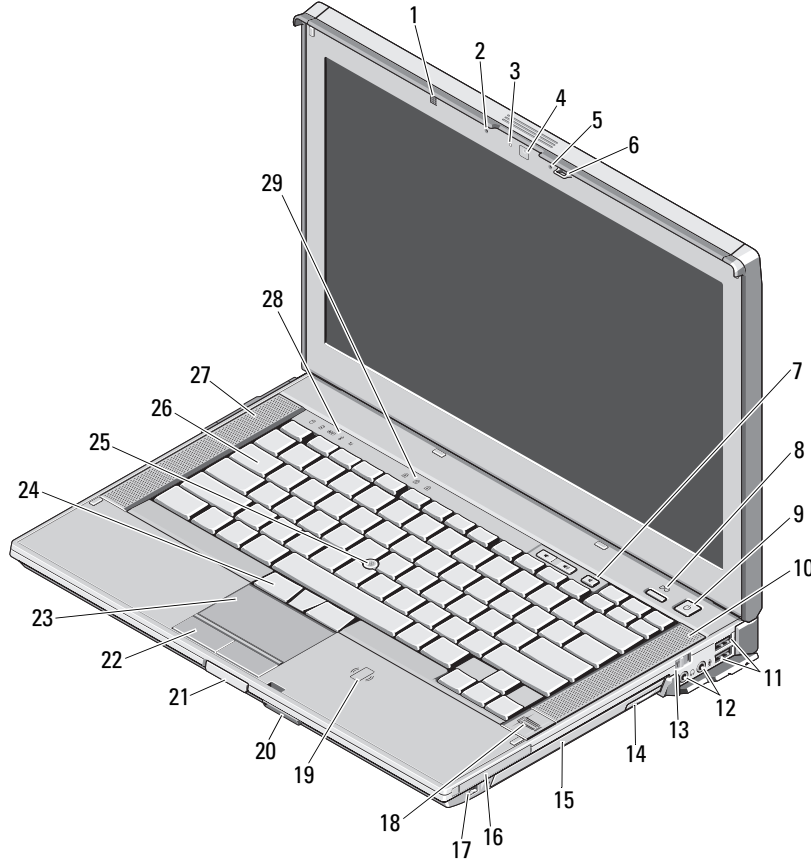


- 1 modem connector (optional)
- 2 network connector
- 3 power and battery status lights
- 4 multimode DisplayPort connector
- 5 AC adapter connector
- 6 security cable slot
- 7 video connector (VGA)
- 8 e-SATA/USB 2.0 connector
- 9 powered USB 2.0 connector
- 10 cooling vent
- 11 smart card slot



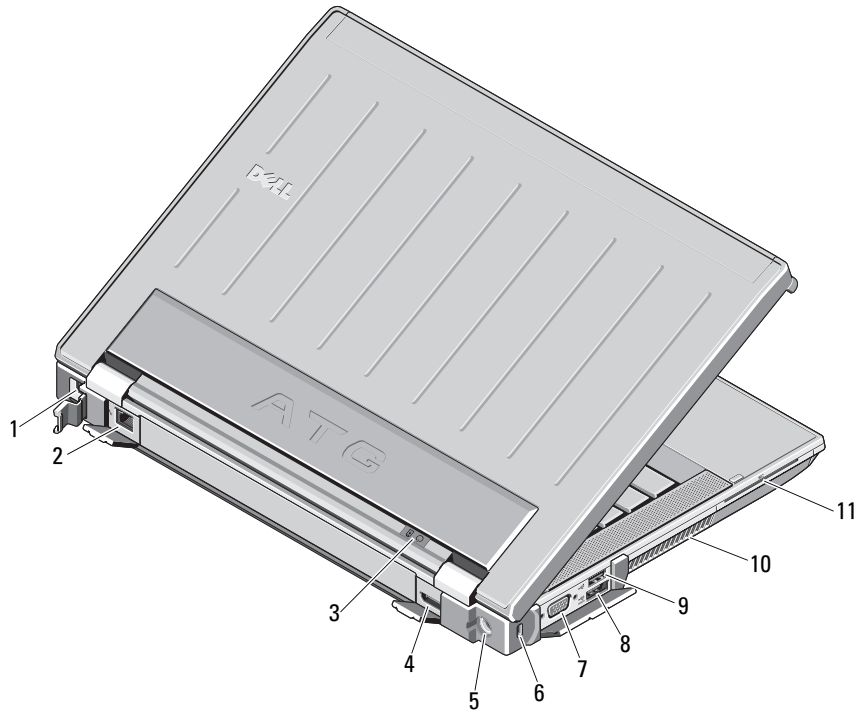
WARNING: Do not block, push objects into, or allow dust to accumulate in the air vents. Do not store your Dell computer in a low-airflow environment, such as a closed briefcase, while it is running. Restricting the airflow can damage the computer or cause a fire. The computer turns on the fan when the computer gets hot. Fan noise is normal and does not indicate a problem with the fan or the computer.

Latitude E6410 ATG — Front View



- | | |
|--|---|
| 1 ambient light sensor | 2 microphone |
| 3 camera LED (optional) | 4 camera (optional) |
| 5 microphone | 6 display latch |
| 7 volume control buttons | 8 Latitude ON button |
| 9 power button | 10 right speaker |
| 11 USB 2.0 connectors (2) | 12 audio connectors |
| 13 wireless switch | 14 optical drive remove button |
| 15 optical drive | 16 PC card or Express card slot |
| 17 IEEE 1394 connector | 18 fingerprint reader (optional) |
| 19 contactless smart card reader (optional) | 20 Secure Digital (SD) and MMC card slot |
| 21 display latch release button | 22 touchpad buttons |
| 23 touchpad | 24 trackstick buttons |
| 25 trackstick | 26 keyboard |
| 27 left speakers | 28 device status light |
| 29 keyboard status lights | |

Latitude E6410 ATG — Back View



- 1 modem connector (optional)
- 2 network connector
- 3 power and battery status lights
- 4 multimode DisplayPort connector
- 5 AC adapter connector
- 6 security cable slot
- 7 video connector (VGA)
- 8 eSATA/USB 2.0 connector
- 9 powered USB 2.0 connector
- 10 cooling vent
- 11 smart card slot



WARNING: Do not block, push objects into, or allow dust to accumulate in the air vents. Do not store your Dell computer in a low-airflow environment, such as a closed briefcase, while it is running. Restricting the airflow can damage the computer or cause a fire. The computer turns on the fan when the computer gets hot. Fan noise is normal and does not indicate a problem with the fan or the computer.

Quick Setup



WARNING: Before you begin any of the procedures in this section, read the safety information that shipped with your computer. For additional best practices information, see www.dell.com/regulatory_compliance.



WARNING: The AC adapter works with electrical outlets worldwide. However, power connectors and power strips vary among countries. Using an incompatible cable or improperly connecting the cable to the power strip or electrical outlet may cause fire or equipment damage.

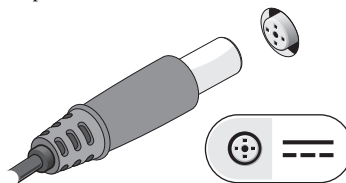


CAUTION: When you disconnect the AC adapter cable from the computer, grasp the connector, not the cable itself, and pull firmly but gently to avoid damaging the cable. When you wrap the AC adapter cable, ensure that you follow the angle of the connector on the AC adapter to avoid damaging the cable.

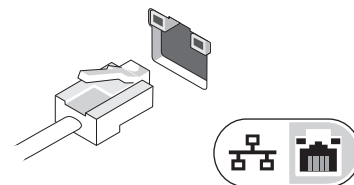


NOTE: Some devices may not be included if you did not order them.

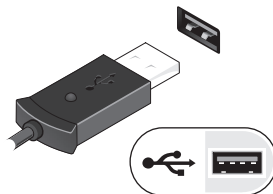
- 1 Connect the AC adapter to the AC adapter connector on the portable computer and to the electrical outlet.



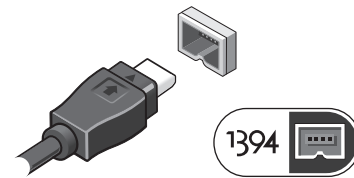
- 2 Connect the network cable (optional).



- 3 Connect USB devices, such as a mouse or a keyboard (optional).



- 4 Connect IEEE 1394 devices, such as a DVD player (optional).



- 5 Open the computer display and press the power button to turn on the computer.



NOTE: It is recommended that you turn on and shut down your computer at least once before you install any cards or connect the computer to a docking device or other external device, such as a printer.

Specifications



NOTE: Offerings may vary by region. For more information regarding the configuration of your computer, click **Start**→**Help and Support** and select the option to view information about your computer.

System Information

Processor type	Intel® Core™ i5 Intel Core i7
Chipset	Mobile Intel 5 series (QM57)

Video

Video type	UMA Discrete (E6410 only)
Data bus	PCI-E x16 Gen1
Video controller	
UMA	Intel Graphics
Discrete	NVIDIA Quadro NVS 3100M

Memory

Type	DDR3, 1066 MHz
Memory module connector	two SODIMM slots
Memory module capacity	1 GB, 2 GB, or 4 GB
Minimum memory	1 GB
Maximum memory	8 GB

Contactless Smart Card

Supported Smart Cards and Technologies	ISO14443A — 106 kbps, 212 kbps, 424 kbps, and 848 kbps ISO14443B — 106 kbps, 212 kbps, 424 kbps, and 848 kbps ISO15693 HID iClass FIPS201 NXP Desfire
--	--

Battery

Type	4-cell "smart" lithium ion (37 WHr) 6-cell "smart" lithium ion (60 WHr) 3-year life-time 9-cell "smart" lithium ion (81 WHr) 9-cell "smart" lithium ion (90 WHr) 12-cell "smart" lithium ion slice (88 WHr)
------	---

Dimensions

4-cell/6-cell	
Depth	206.11 mm (8.11 inches)
Height	19.81 mm (0.78 inch)
Width	47.00 mm (1.85 inches)
9-cell	
Depth	207.77 mm (8.18 inches)
Height	22.10 mm (0.87 inch)
Width	68.83 mm (2.71 inches)

Battery (continued)

12-cell	
Depth	14.48 mm (0.57 inch)
Height	217.17 mm (8.55 inches)
Width	322.07 mm (12.68 inches)
Weight	
4-cell	235.87 g (0.52 lb)
6-cell	326.59 g (0.72 lb)
9-cell	480.81 g (1.06 lb)
12-cell	848.22 g (1.87 lb)
Voltage	11.10 V
Temperature range	
Operating	0 °C to 35 °C (32 °F to 95 °F)
Storage	-40 °C to 60 °C (-40 °F to 140 °F)
Coin-cell battery	3 V CR2032 lithium coin cell

AC Adapter

Input voltage	100 V–240 V ~
Input current (maximum)	1.50 A
Input frequency	50–60 Hz
Output power	65 W / 90 W
Output current	
65 W (E6410 with UMA video only)	3.34 A continuous
90 W	4.62 A

AC Adapter (continued)

Rated output voltage	19.50 VDC
Dimensions	
65 W	
Depth	127.00 mm (4.99 inches)
Height	16.00 mm (0.63 inch)
Width	66.04 mm (2.60 inches)
90 W	
Depth	147.00 mm (5.78 inches)
Height	16.00 mm (0.63 inch)
Width	70.00 mm (2.75 inches)
Temperature range	
Operating	0 °C to 40 °C (32 °F to 104 °F)
Storage	-40 °C to 70 °C (-40 °F to 158 °F)

Physical

Latitude 6410	
Depth	238.30 mm (9.38 inches)
Height	25.40 mm–30.99 mm (1.00 inch–1.22 inches)
Width	334.77 mm (13.18 inches)
Weight (minimum)	1.95 kg (4.30 lb)

Physical (continued)

Latitude 6410 ATG

Depth	245.62 mm (9.67 inches)
Height	31.24 mm (1.23 inches) with port cover — 1.55 inches (39.37 mm)
Width	340.87 mm (13.42 inches)
Weight (minimum)	2.68 kg (5.90 lb)

Docking Connector

E-Family dock	144-pin docking connector
---------------	---------------------------

Environmental

Temperature range

Operating	0 °C to 35 °C (32 °F to 95 °F)
Storage	-40 °C to 65 °C (-40 °F to 149 °F)

Relative humidity
(maximum)

Operating	10% to 90% (noncondensing)
Storage	5% to 95% (noncondensing)

Altitude (maximum)

Operating	-15.2 m to 3048 m (-50 ft to 10,000 ft)
Storage	-15.2 m to 10,668 m (-50 ft to 35,000 ft)

Finding More Information and Resources

See the safety and regulatory documents that shipped with your computer and the regulatory compliance website at www.dell.com/regulatory_compliance for more information on:

- Safety best practices
- Warranty
- Terms and Conditions
- Regulatory certification
- Ergonomics
- End User License Agreement

**Information in this document is subject to change without notice.
© 2010 Dell Inc. All rights reserved. Printed in the U.S.A.**

Reproduction of these materials in any manner whatsoever without the written permission of Dell Inc. is strictly forbidden.

Trademarks used in this text: *Dell*, the *DELL* logo, *Latitude*, and *Latitude ON* are trademarks of Dell Inc.; *Intel* is a registered trademark and *Core* is a trademark of Intel Corporation in the U.S. and other countries.

Other trademarks and trade names may be used in this document to refer to either the entities claiming the marks and names or their products. Dell Inc. disclaims any proprietary interest in trademarks and trade names other than its own.