



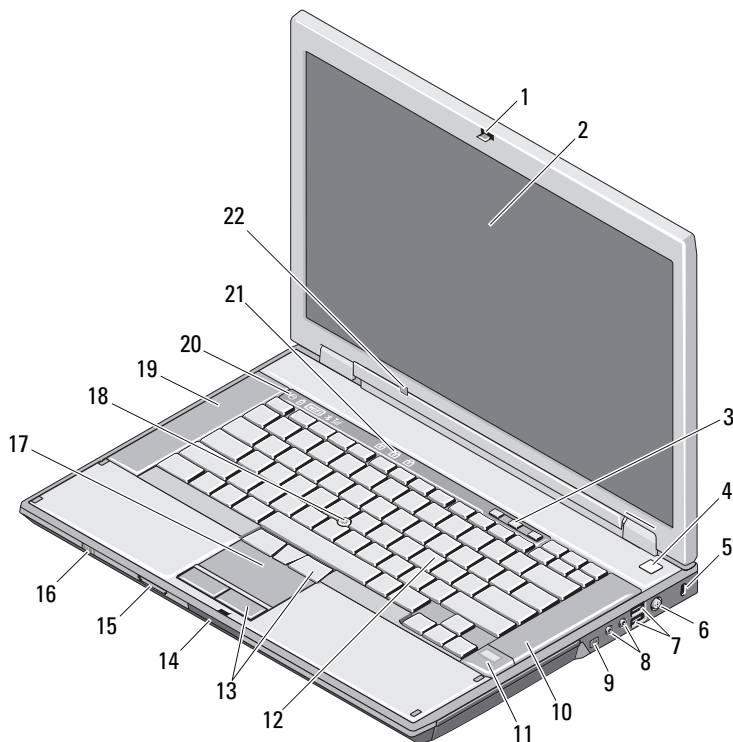
About Warnings

 **WARNING:** A WARNING indicates a potential for property damage, personal injury, or death.

Dell™ Latitude™ E5400 and E5500 Setup and Features Information

E5400/E5500 With Unified Memory Architecture (UMA) Video

Front View



March 2009

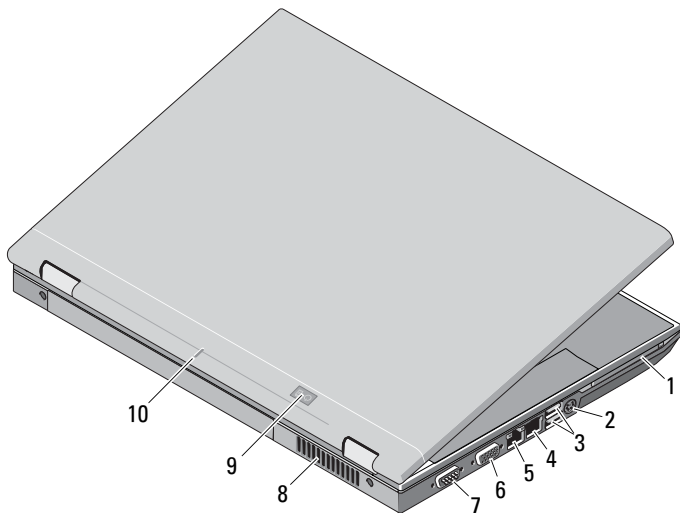


OP168CA02

Models: PP32LA
and PP32LB

- | | | | |
|----|--|----|--|
| 1 | display latch | 2 | display |
| 3 | volume control buttons | 4 | power button |
| 5 | security cable slot | 6 | AC adapter connector |
| 7 | USB connectors (2) | 8 | audio connectors |
| 9 | IEEE 1394 connector (location may vary depending on the model) | 10 | right speaker |
| 11 | fingerprint reader (optional) | 12 | keyboard |
| 13 | touch-pad buttons | 14 | display latch release switch |
| 15 | Secure Digital (SD) memory card reader | 16 | wireless switch |
| 17 | touchpad | 18 | track stick (optional) |
| 19 | left speaker | 20 | device status lights |
| 21 | keyboard status lights | 22 | ambient light sensor (E5400/E5500 with UMA video only) |

Back View



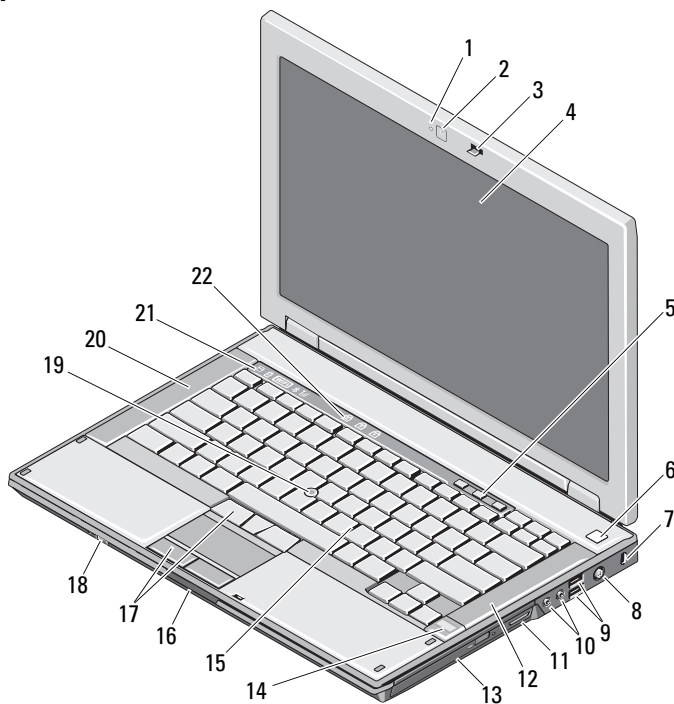
- | | | | |
|---|--------------------|---|----------------------------|
| 1 | PC card slot | 2 | S-video (S/PDIF) connector |
| 3 | USB connectors (2) | 4 | modem connector (optional) |
| 5 | network connector | 6 | video connector (VGA) |

- | | | | |
|---|---------------------------------|----|------------------------|
| 7 | serial connector (E5500 only) | 8 | cooling vent |
| 9 | power/battery status indicators | 10 | docking alignment mark |

E5400 With Discrete Video

NOTE: Latitude E5400 with discrete video card does not have the Ambient Light Sensor (ALS). Using the keys "Fn + Left arrow" (combination to activate ALS on computers that have ALS) will not have any effect on E5400 with discrete video.

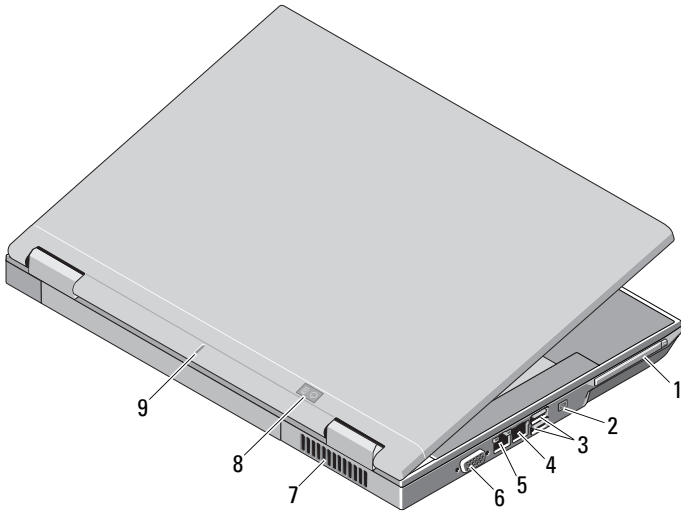
Front View



- | | | | |
|----|-------------------------|----|----------------------|
| 1 | camera light (optional) | 2 | camera (optional) |
| 3 | display latch | 4 | display |
| 5 | volume control buttons | 6 | power button |
| 7 | security cable slot | 8 | AC adapter connector |
| 9 | USB connectors (2) | 10 | audio connectors |
| 11 | 3-in-1 card reader | 12 | right speaker |

- | | | | |
|----|------------------------|----|-------------------------------|
| 13 | optical drive | 14 | fingerprint reader (optional) |
| 15 | keyboard | 16 | display latch release switch |
| 17 | touch-pad buttons | 18 | wireless switch |
| 19 | track stick (optional) | 20 | left speaker |
| 21 | device status lights | 22 | keyboard status lights |

Back View



- | | | | |
|---|------------------------|---|---------------------------------|
| 1 | PC card slot | 2 | IEEE 1394 connector |
| 3 | USB connectors (2) | 4 | modem connector (optional) |
| 5 | network connector | 6 | video connector (VGA) |
| 7 | cooling vent | 8 | power/battery status indicators |
| 9 | docking alignment mark | | |

Quick Setup



WARNING: Before you begin any of the procedures in this section, read the safety information that shipped with your computer. For additional best practices information see www.dell.com/regulatory_compliance.

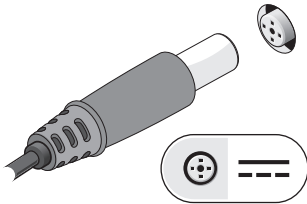


WARNING: The AC adapter works with electrical outlets worldwide. However, power connectors and power strips vary among countries. Using an incompatible cable or improperly connecting the cable to the power strip or electrical outlet may cause fire or equipment damage.

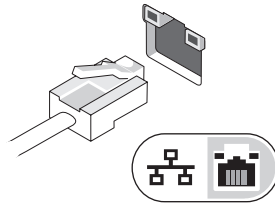
CAUTION: When you disconnect the AC adapter cable from the computer, grasp the connector, not the cable itself, and pull firmly but gently to avoid damaging the cable. When you wrap the AC adapter cable, ensure that you follow the angle of the connector on the AC adapter to avoid damaging the cable.

NOTE: Some devices may not be included if you did not order them.

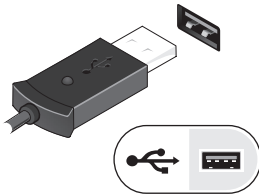
1 Connect the AC adapter to the AC adapter connector on the computer and to the electrical outlet



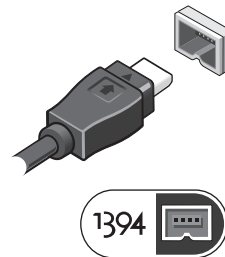
2 Connect the network cable (optional)



3 Connect USB devices, such as a mouse or keyboard.



4 Connect IEEE 1394 devices, such as a DVD player (optional)



5 Open the computer display and press the power button to turn on the computer.



NOTE: It is recommended that you turn on and shut down your computer at least once before you install any cards or connect the computer to a docking device or other external device, such as a printer.

Specifications



NOTE: Offerings may vary by region. The following specifications are only those required by law to ship with your computer. For more information regarding the configuration of your computer, click **Start –Help and Support** and select the option to view information about your computer.

System Information

Chipset

E5400/E5500 with UMA video	Mobile Intel® GE45 Express chipset
E5400 with discrete video	Mobile Intel PM45 Express Chipset

Processor

Processor	Intel Core™2 Duo; Intel Celeron® processor (Socket P)
-----------	---

Video

Video type:

E5400	UMA video or discrete video
E5500	UMA video only

Data bus

E5400/E5500 (with UMA video)	Integrated video
E5400 (with discrete video)	PCI-Express Graphic

Video controller

E5400/E5500 (with UMA video)	Intel GE45; Intel 4500MHD
E5400 (with discrete video)	NVIDIA® NB9M

Video memory:

integrated video	shared up to 1024 MB
discrete video card	up to 512 MB (256 MB onboard, up to 256 MB shared from system memory)

Memory

Memory module connector	two DIMM slots
Memory module capacity	512 MB, 1 GB, 2 GB, or 4 GB NOTE: Only E5400 with discrete video can support a single module of 4GB
Memory type	DDR II 667 MHz and 800 MHz SDRAM
Minimum memory	512 MB
Maximum memory	4 GB (E5400/E5500 with UMA video) 8 GB (E5400 with discrete video)

Battery

Type	9-cell "smart" lithium ion (85 WHr) 6-cell "smart" lithium ion (56 WHr/48 WHr) 4-cell "smart" lithium ion (37 WHr)— E5400/E5500 UMA video)
------	--

Dimensions:

Depth

4-cell or 6-cell	54 mm (2.13 inches)
9-cell	76 mm (2.99 inches)

Height

4-cell or 6-cell	19.8 mm (0.78 inches)
9-cell	21.1 mm (0.83 inches)

Width

4-cell or 6-cell	206 mm (8.11 inches)
9-cell	224 mm (8.82 inches)

Weight

4-cell	252 g (0.56 lbs)
6-cell	326 g (0.72 lbs)
9-cell	487 g (1.07 lbs)

Voltage:

4-cell	14.8 VDC
6-cell or 9-cell	11.1/10.8 VDC

Battery (continued)

Temperature range:

Operating 0° to 35°C (32° to 95°F)

Storage -40° to 65°C (-40° to 149°F)

Coin-cell battery CR2032 lithium coin-cell battery

AC Adapter

Type 65 W (D series); 65 W Auto-Air (optional);
90 W (E series); 90 W (D series)

Input voltage 100–240 VAC

Input current (maximum) 1.5 A

Input frequency 50–60 Hz

Output power 65 W and 90 W

Output current:

65 W Auto-air Continuous 3.34A (maximum 4.34A at 4-second pulse)

90 W (E series/D series) Continuous 4.62A (maximum 5.62A at 4-second pulse)

Rated output voltage 19.5 VDC

Dimensions:	65 W (D series)	65 W Auto-Air	90 W (E series)	90 W (D series)
Height	27.8–28.6 mm (1.10–1.13 inches)	15 mm (0.59 inches)	16 mm (0.63 inches)	34.2 mm (1.35 inches)
Width	57.9 mm (2.28 inches)	66 mm (2.60 inches)	70 mm (2.76 inches)	60.87 mm (2.40 inches)
Depth	137.2 mm (5.40 inches)	127 mm (5.00 inches)	147 mm (5.79 inches)	153.45 mm (6.04 inches)

Temperature range:

Operating 0° to 40°C (32° to 104°F)

Storage -40° to 70°C (-40° to 158°F)

Physical

Dimensions:	E5400	E5500
Height	338 mm (13.31 inches)	355 mm (13.98 inches)
Width	244 mm (9.61 inches)	260 mm (10.24 inches)
Depth	37.0 mm (1.46 inches)	37.5 mm (1.48 inches)

Weight (with DVD drive):

4-cell battery	2.46 kg (5.42 lbs) — with UMA video	2.81 kg (6.20 lbs)
6-cell battery	2.59 kg (5.71 lbs) — with UMA video	2.91 kg (6.42 lbs)
	2.54 kg (5.60 lbs) — with discrete video	
9-cell battery	2.75 kg (6.06 lbs) — with UMA video	3.07 kg (6.77 lbs)
	2.70 kg (5.95 lbs) — with discrete video	

Environmental

Temperature range:

Operating	0° to 35°C (32° to 95°F)
Storage	-40° to 65°C (-40° to 149°F)

Relative humidity (maximum):

Operating	10% to 90% (non-condensing)
Storage	5% to 95% (non-condensing)

Finding More Information and Resources

If you need to:

See:

Find safety best practices information for your computer, review Warranty information, Terms and Conditions(U.S only), Safety instructions, Regulatory information, Ergonomics information, and End User License Agreement.

The safety and regulatory documents that shipped with your computer and the Regulatory Compliance Homepage at www.dell.com/regulatory_compliance.

Information in this document is subject to change without notice.

© 2008–2009 Dell Inc. All rights reserved. Printed in the U.S.A.

Reproduction of these materials in any manner whatsoever without the written permission of Dell Inc. is strictly forbidden.

Trademarks used in this text: *Dell*, the *DELL* logo, and *Latitude* are trademarks of Dell Inc.; *Intel* and *Celeron* are registered trademarks and *Core* is a trademark of Intel Corporation in the U.S. and other countries. *NVIDIA* is a registered trademark of NVIDIA Corporation in the U.S. and other countries.

Other trademarks and trade names may be used in this document to refer to either the entities claiming the marks and names or their products. Dell Inc. disclaims any proprietary interest in trademarks and trade names other than its own.