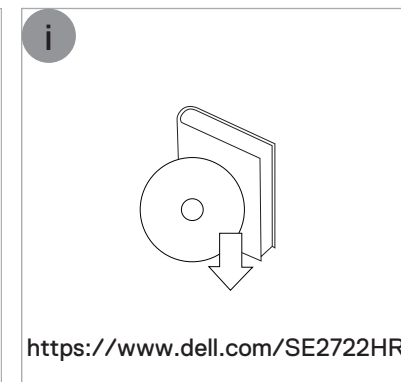
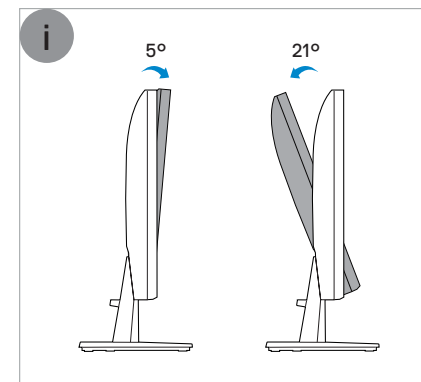
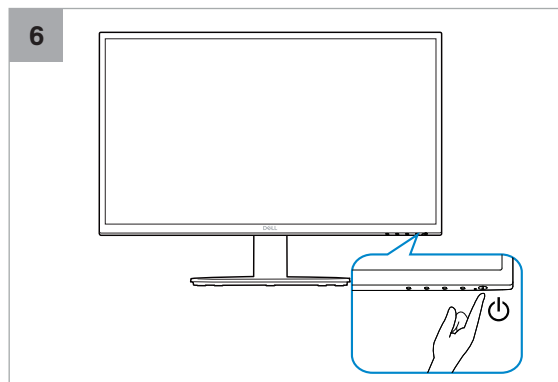
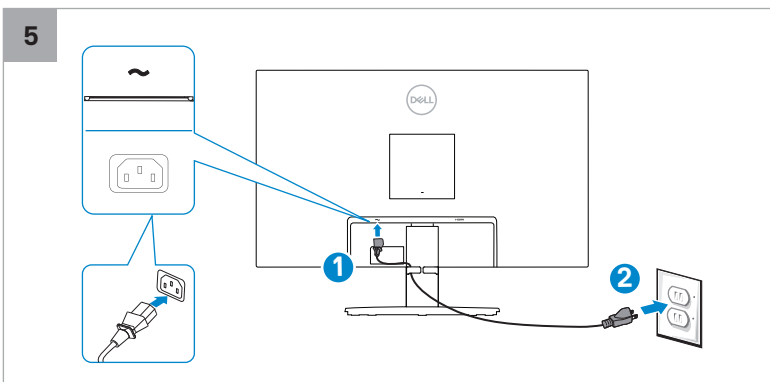
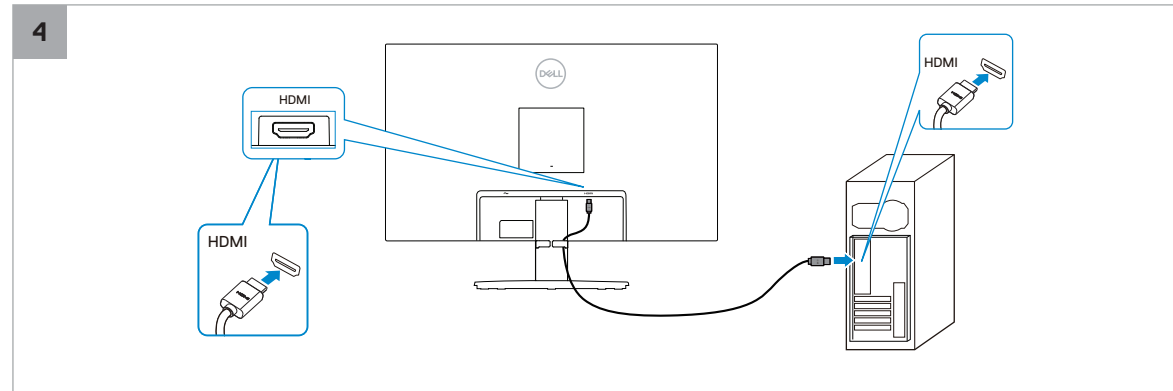
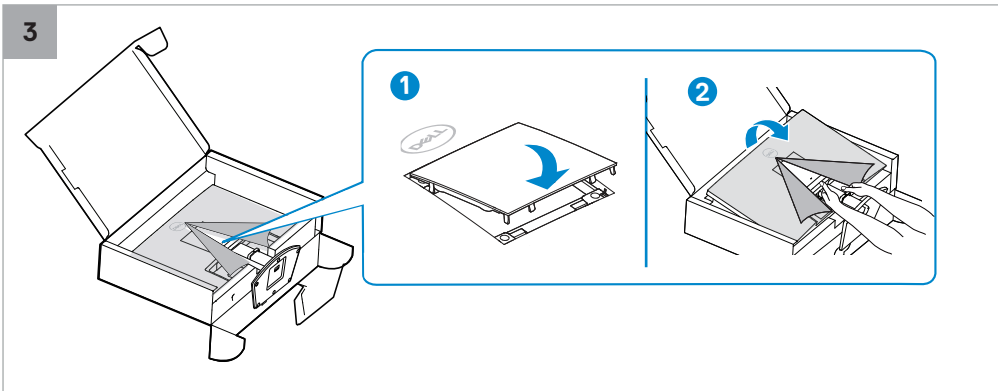
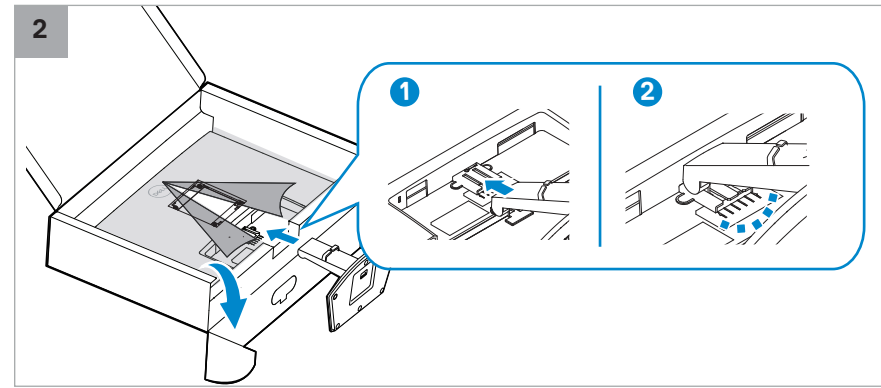
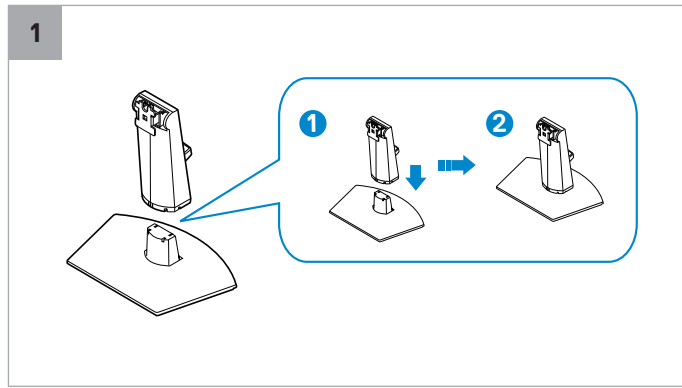
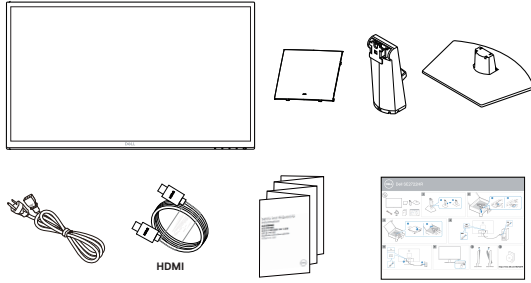




Dell SE2722HR



Taiwan RoHS

RoHS 聲明（僅針對台灣）

限用物質及其化學符號

Restricted substances and its chemical symbols

單元 Unit	限用物質及其化學符號					
	鉛	汞	鎘	六價鉻	多溴聯苯	多溴二苯醚
	Lead (Pb)	Mercury (Hg)	Cadmium (Cd)	Hexavalent chromium (Cr ⁺⁶)	Polybrominated biphenyls (PBB)	Polybrominated diphenyl ethers (PBDE)
機箱/檔板/支架	—	○	○	○	○	○
電路板組件	—	○	○	○	○	○
顯示螢幕	—	○	○	○	○	○
電線/連接器	—	○	○	○	○	○
電源設備	—	○	○	○	○	○

備考 1. “超出0.1 wt %”及“超出0.01 wt %”係指限用物質之百分比含量超出百分比含量基準值。

Note 1: “Exceeding 0.1 wt %” and “exceeding 0.01 wt %” indicate that the percentage content of the restricted substance exceeds the reference percentage value of presence condition.

備考 2. “○”係指該項限用物質之百分比含量未超出百分比含量基準值。

Note 2: “○” indicates that the percentage content of the restricted substance does not exceed the percentage of reference value of presence.

備考 3. “—”係指該項限用物質為排除項目。

Note 3: The “—” indicates that the restricted substance corresponds to the exemption.

Di impor oleh:

PT Dell Indonesia

Menara BCA Lantai 48 Unit 4804

Jalan M.H. Thamrin No.1 Jakarta Pusat

10310 Indonesia

NOMOR PENDAFTARAN: I.17.DI63.07301.1019



2021 - 04

© 2021 Dell Inc. or its subsidiaries.



F41G78S170047A--HF
(DELL P/N:5XK83 rev.A00)