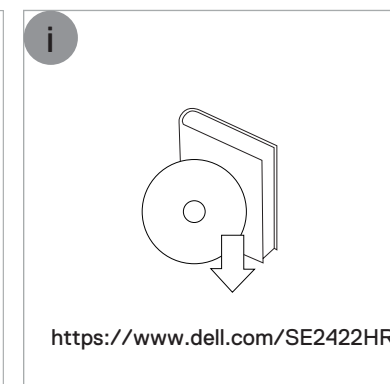
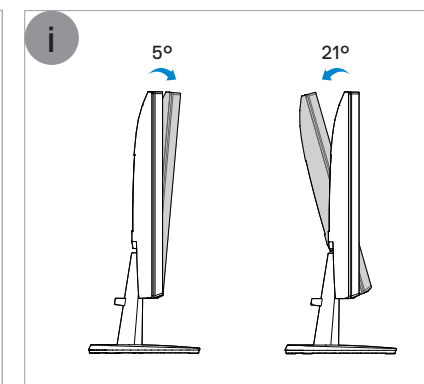
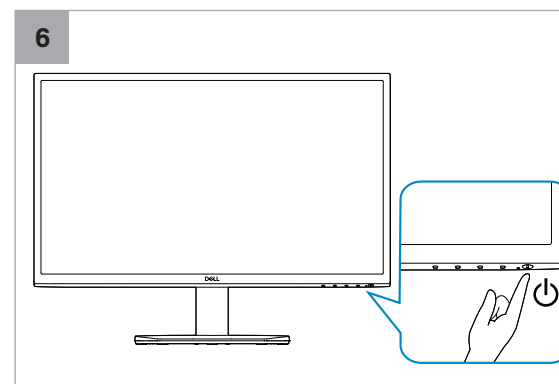
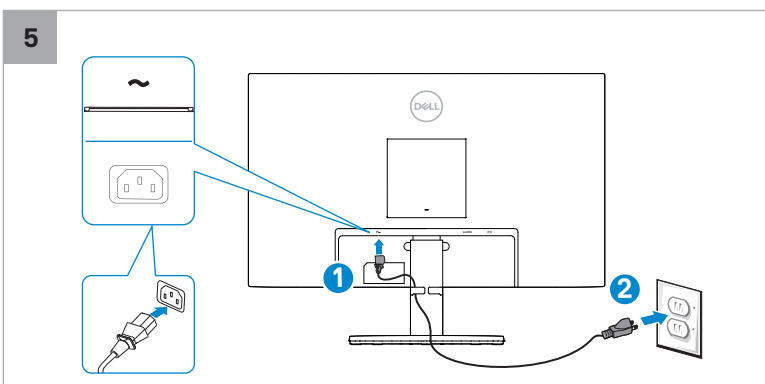
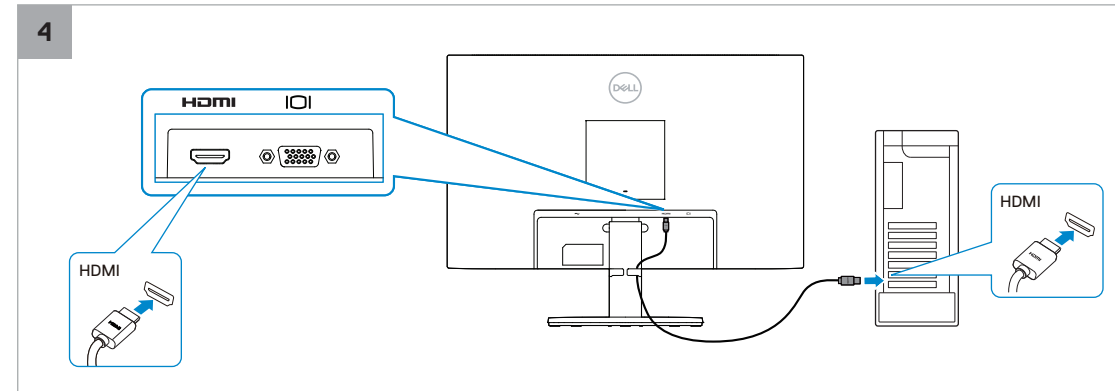
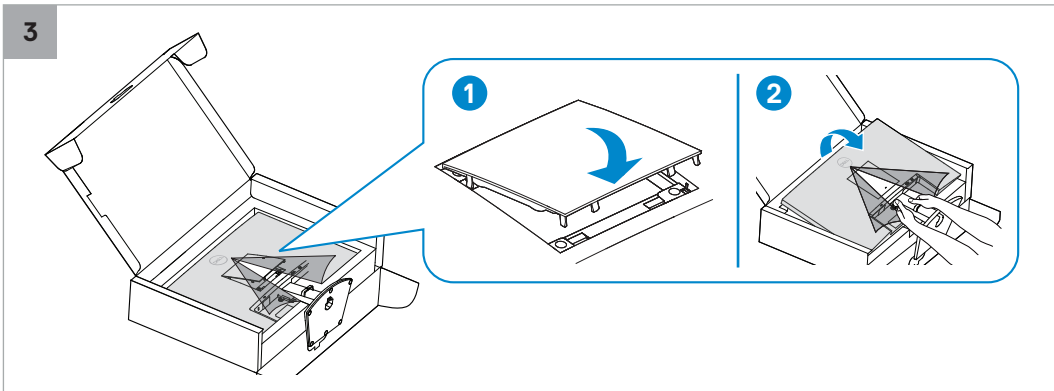
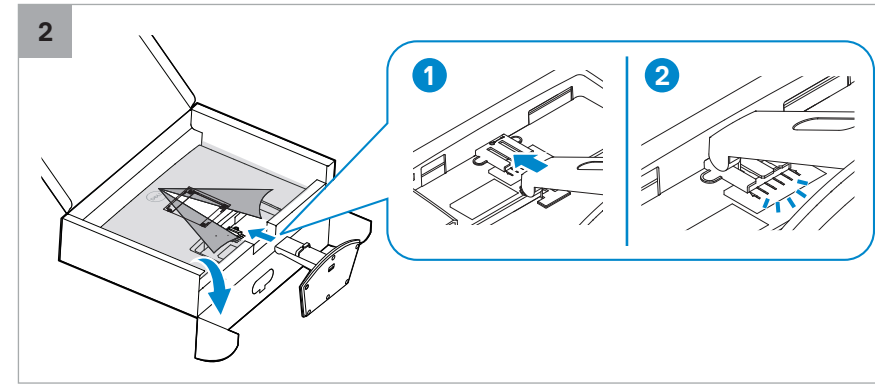
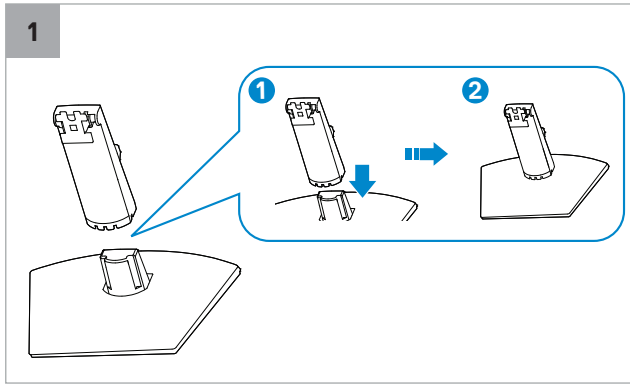
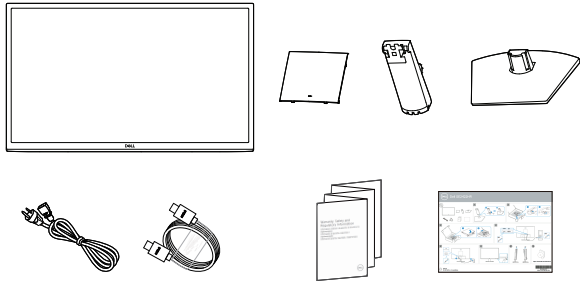




# Dell SE2422HR



# RoHS 聲明（僅針對台灣） / Taiwan RoHS

單元 Unit	限用物質及其化學符號 Restricted substances and its chemical symbols					
	鉛 Lead (Pb)	汞 Mercury (Hg)	鎘 Cadmium (Cd)	六價鉻 Hexavalent chromium (Cr <sup>+6</sup> )	多溴聯苯 Polybrominated biphenyls (PBB)	多溴二苯醚 Polybrominated diphenyl ethers (PBDE)
機箱/檔板/支架	—	○	○	○	○	○
電路板組件	—	○	○	○	○	○
顯示螢幕	—	○	○	○	○	○
電線/連接器	—	○	○	○	○	○
電源設備	—	○	○	○	○	○
<p>備考1. “超出0.1 wt %” 及 “超出0.01 wt %” 係指限用物質之百分比含量超出百分比含量基準值。</p> <p>Note 1: “Exceeding 0.1 wt %” and “exceeding 0.01 wt %” indicate that the percentage content of the restricted substance exceeds the reference percentage value of presence condition.</p> <p>備考2. “○” 係指該項限用物質之百分比含量未超出百分比含量基準值。</p> <p>Note 2: “○” indicates that the percentage content of the restricted substance does not exceed the percentage of reference value of presence.</p> <p>備考3. “—” 係指該項限用物質為排除項目。</p> <p>Note 3: The “—” indicates that the restricted substance corresponds to the exemption.</p>						

Di impor oleh:

PT Dell Indonesia

Menara BCA Lantai 48 Unit 4804

Jalan M.H. Thamrin No.1 Jakarta Pusat

10310 Indonesia

NOMOR PENDAFTARAN: I.17.DI63.07301.1019