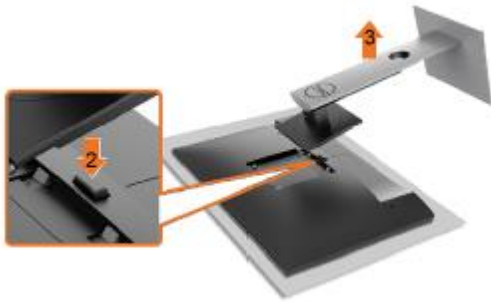
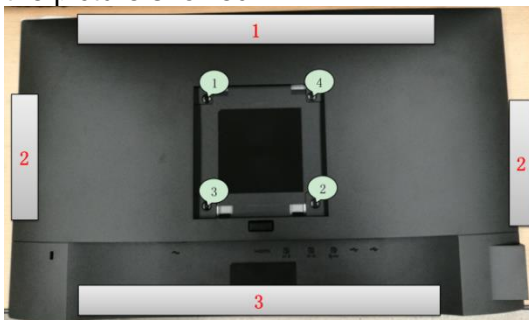


1. Disassembly Procedures

- S1 Turn off power
- S2 Place the monitor on a soft cloth or cushion.
Press and hold the stand-release button.
Lift the stand up and away from the monitor.



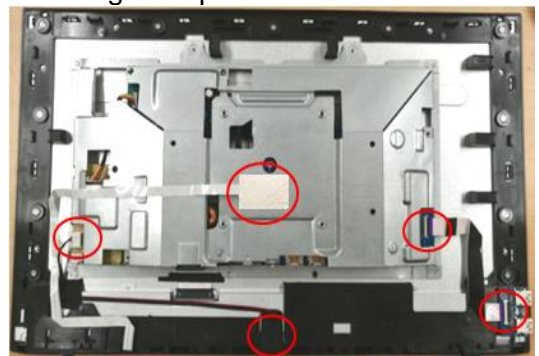
- S3 Unlock 4 Rear Cover screws.
Disassemble Rear Cover and Middle Frame according to the sequence as the picture showed



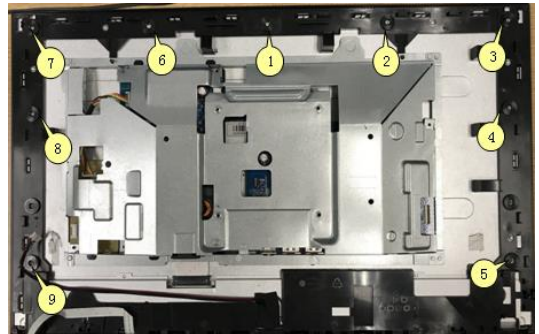
(Screw Torque: 9±1Kgf)



- S4 Tear off the AL foil.
Pull out Control board cable, wire and USB board cable.
Take down main shielding from middle frame.
Tear off adhesive tape from LVDS cable.
Pull out LVDS cable and take off main shielding from panel

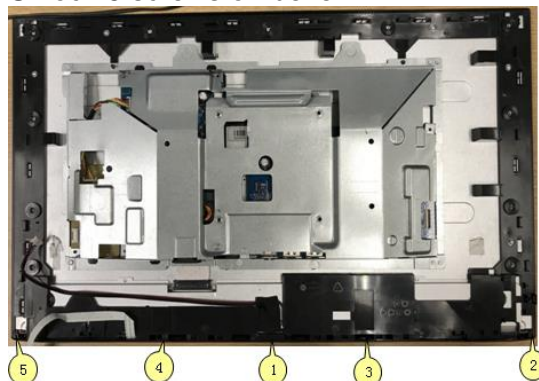


- S5 Unlock 9 screws on middle frame



(Screw Torque: 3.5-4.0Kgf)

- S6 Unlock 5 screws on bezel



(Screw Torque: 1.2-1.25Kgf)

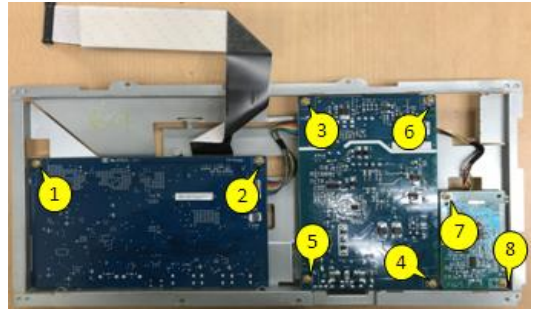
- S7** Disassemble middle frame and bezel from panel



- S8** Disassemble Mylar from Main Shielding



- S9** Unlock 8 PCB screws



(Screw Torque: 8~9kgf)

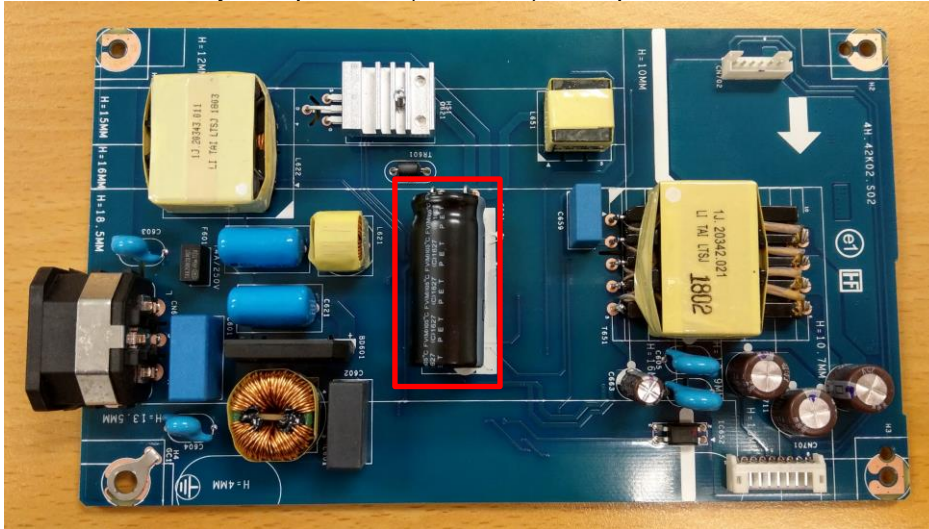
- S10** Take out I/F Board, SPS Board, LED Driver Board from Main Shielding

Pull out I/F board cable and LED Driver board cable from SPS Board

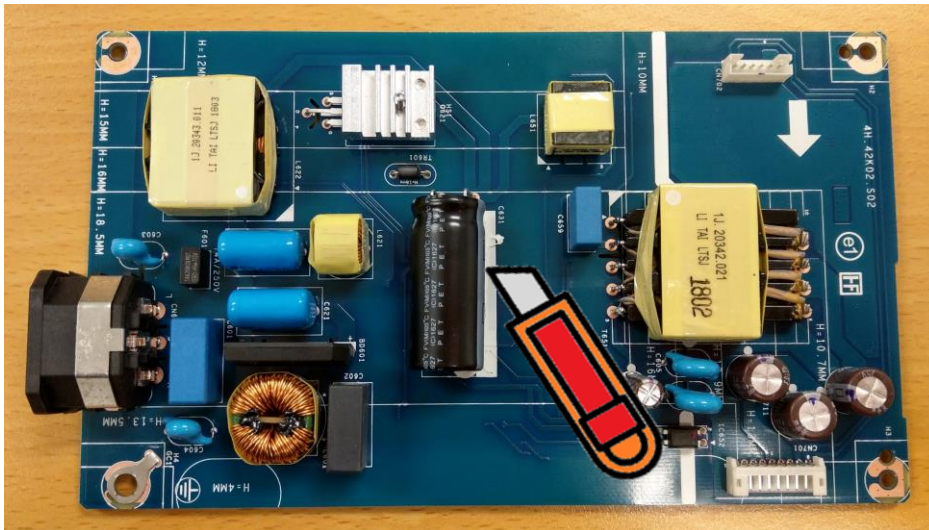


S11

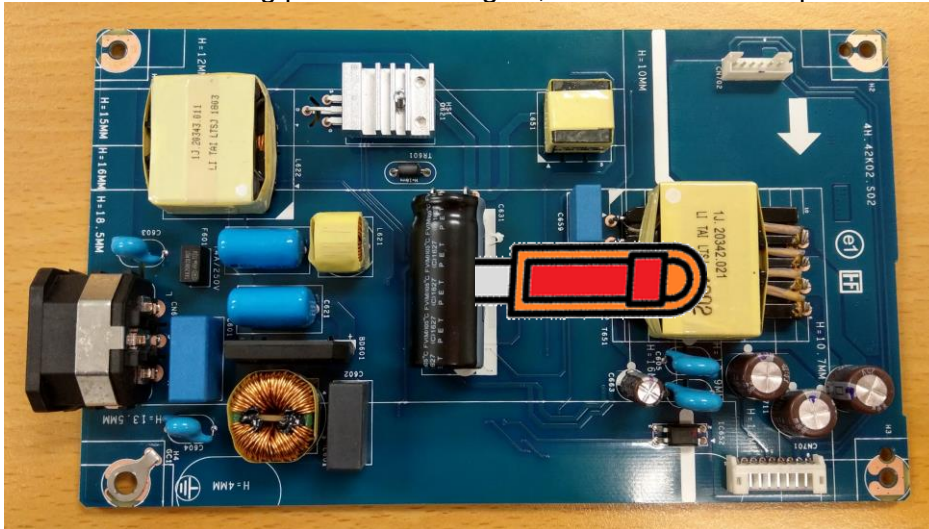
Remove electrolyte capacitors (red mark) from printed circuit boards



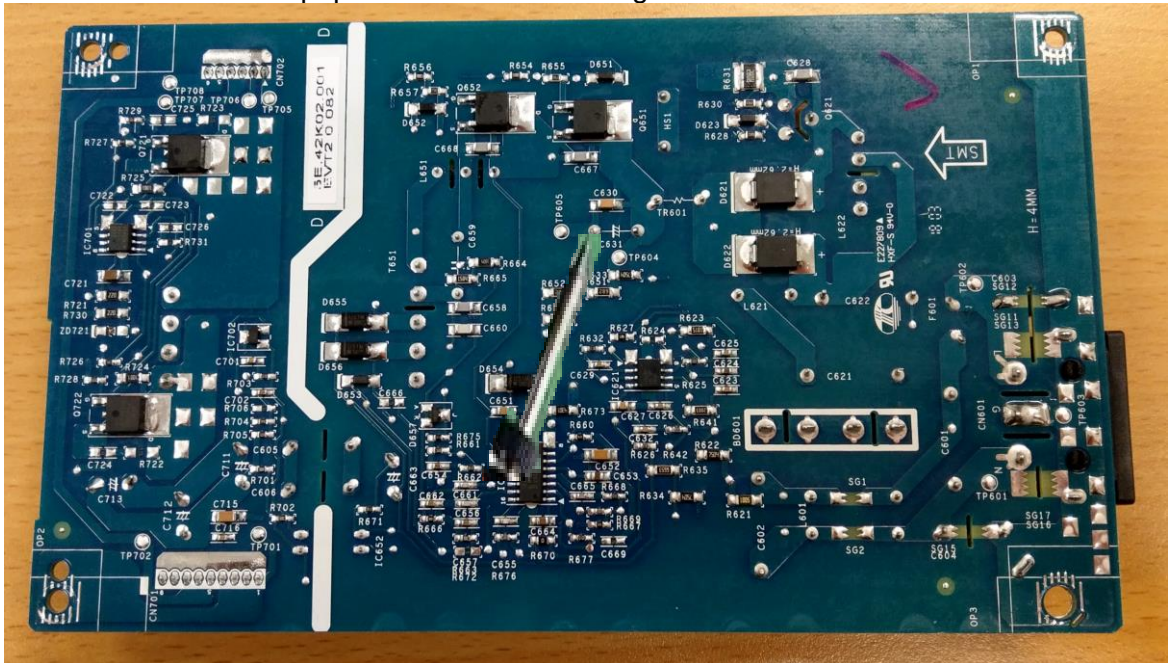
S11-1 Cut the glue between bulk cap. and PCB with a knife



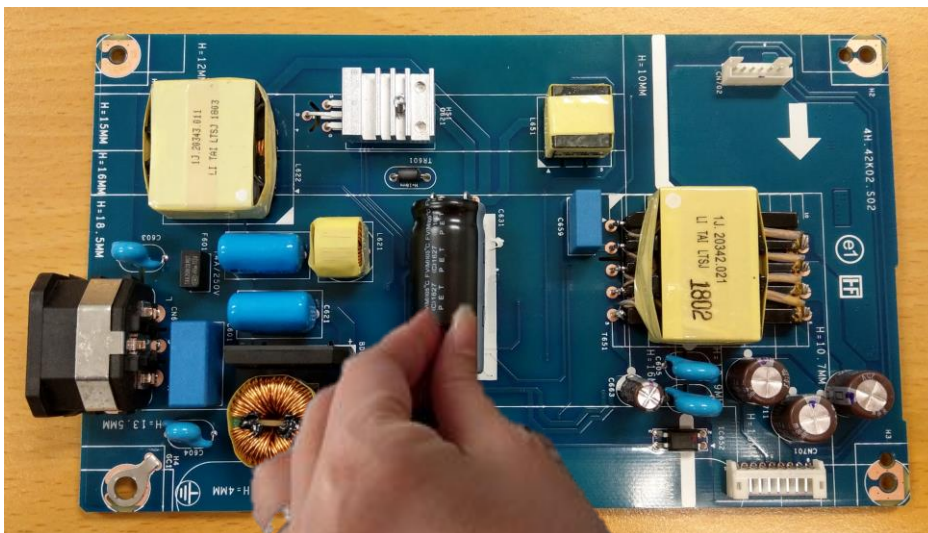
S11-2 Ensure cutting path within the glue, don't touch bulk cap. or PCB



S11-3 Take out bulk cap. pin solder with soldering iron and absorber



S11-4 Lift the bulk cap. up and away from the PCB



2. Product material information

The following substances, preparations, or components should be disposed of or recovered separately from other WEEE in compliance with Article 4 of EU Council Directive 75/442/EEC.

Capacitors / condensers (containing PCB/PCT)	No used
Mercury containing components	No used
Batteries	No used
Printed circuit boards (with a surface greater than 10 square cm)	Product has printed circuit boards (with a surface greater than 10 square cm)
Component contain toner, ink and liquids	No used
Plastic containing BFR	No used
Component and waste contain asbestos	No used
CRT	No used
Component contain CFC, HCFC, HFC and HC	No used
Gas discharge lamps	No used
LCD display > 100 cm ²	Product has an LCD greater than 100 cm ²
External electric cable	Product has external cables
Component contain refractory ceramic fibers	No used
Component contain radio-active substances	No used
Electrolyte capacitors (height > 25mm, diameter > 25mm)	Product has electrolyte capacitors (height >25mm, diameter > 25mm)

3. Tools Required

List the type and size of the tools that would typically can be used to disassemble the product to a point where components and materials requiring selective treatment can be removed.

Tool Description:

- Screwdriver
- Penknife
- Bar scraper