




Alienware 510M RGB Gaming Mouse

User Guide

Mouse Model: AW510M
Regulatory Model: AW510M

A L I E N W A R E™ 

Notes, cautions, and warnings

-  **NOTE:** A NOTE indicates important information that helps you make better use of your computer.
-  **CAUTION:** A CAUTION indicates potential damage to hardware or loss of data if instructions are not followed.
-  **WARNING:** A WARNING indicates a potential for property damage, personal injury, or death.

Copyright © 2019 Dell Inc. or its subsidiaries. All rights reserved. Dell, EMC, and other trademarks are trademarks of Dell Inc. or its subsidiaries. Other trademarks may be trademarks of their respective owners.

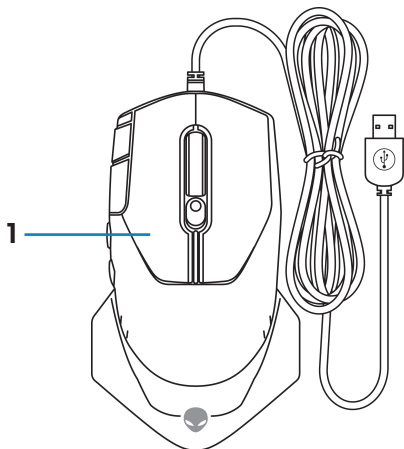
2019 – 08

Rev. A00

Contents

What's in the box	4
Features	5
Adjustable DPI	5
Scrolling count	6
Setting up your gaming mouse	6
Connecting the mouse	6
Alienware Command Center (AWCC) Application ..	8
Installing AWCC through Windows Update	8
Installing AWCC from the Dell Support website	8
Troubleshooting	9

What's in the box

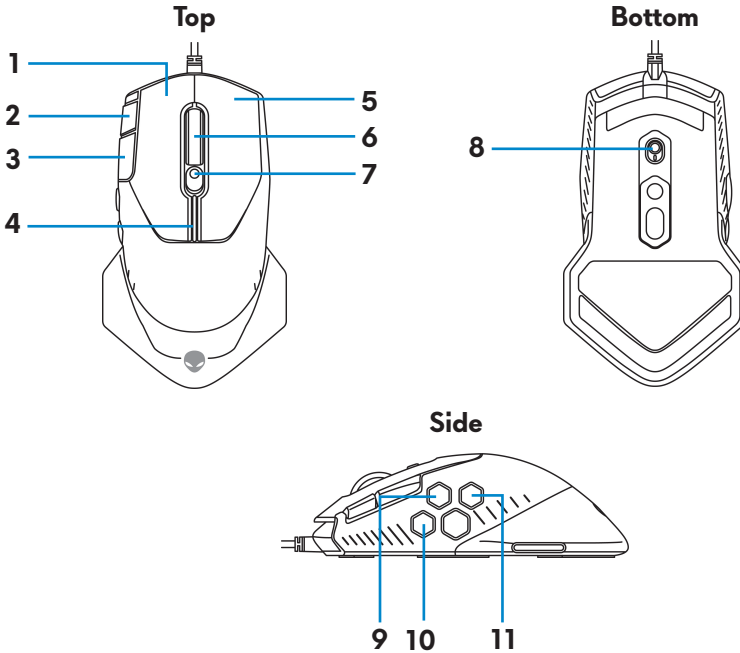


1. Mouse



2. Documents

Features



- | | |
|---------------------------|-----------------------------------|
| 1. Left button | 2. Continuous scroll up |
| 3. Continuous scroll down | 4. DPI indicators |
| 5. Right button | 6. Scroll wheel |
| 7. DPI adjustment slider | 8. Scroll wheel adjustment switch |
| 9. Forward button | 10. DPI clutch button |
| 11. Backward button | |

Adjustable DPI

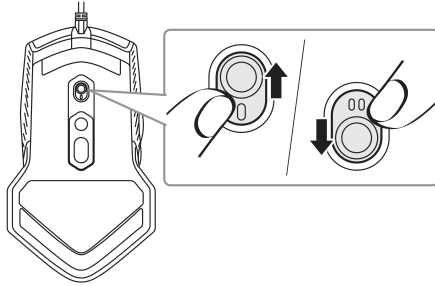
Press the DPI adjustment button to instantly change the mouse tracking resolution. DPI setting is indicated by the DPI indicator color. The default five DPI settings available are as follows:

- 800: Blue (■)
- 1800: Green (■) (Out-of-box default)
- 3500: Yellow (■)
- 9000: Orange (■)
- 16000: Red (■)

You can change the default DPI settings and customize the DPI stages and LED colors with the Alienware Command Center (AWCC) application.

Scrolling count

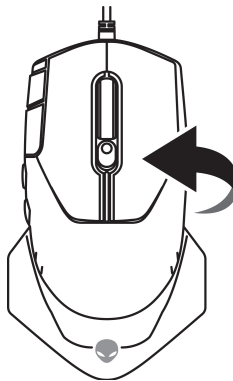
Push the scroll wheel adjustment switch up to set the number of steps to 12 or down to set the number of steps to 24.



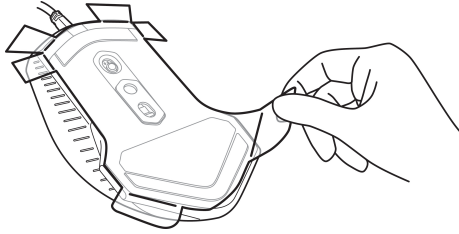
Setting up your gaming mouse

Connecting the mouse

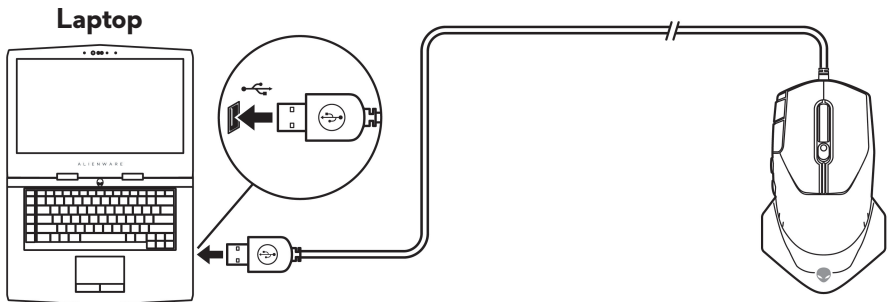
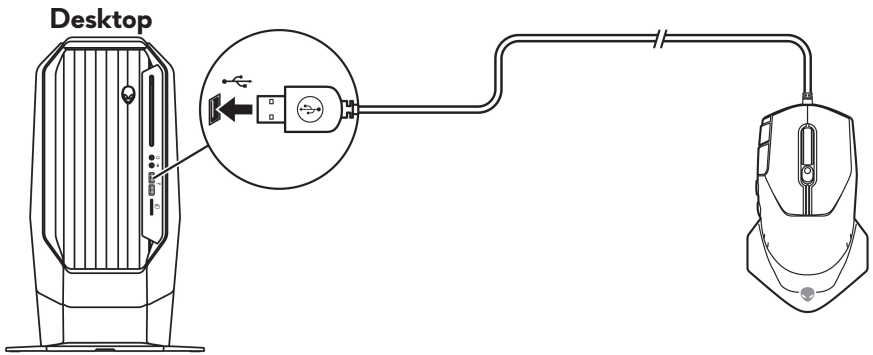
1. Turn the mouse over.



2. Remove the protective sheet.



3. Connect the mouse USB cable to an available USB A port on your desktop or laptop.



Alienware Command Center (AWCC) Application

Alienware Command Center (AWCC) application provides a single interface to customize and enhance the gaming experience.

 **NOTE: For more information, see the Alienware Command Center (AWCC) application Online Help.**

Installing AWCC through Windows Update

1. Connect your Alienware peripheral to your computer through the USB port. The AWCC application is downloaded and installed automatically. AWCC installation may take up to 10 minutes to complete.
2. Navigate to the program folder to ensure that the AWCC installation is complete.
3. Launch AWCC and perform the following steps to download the additional software components:
 - In the **Settings** window, click **Windows Update**, and then click **Check for updates** to check the Alienware driver update progress.
 - If the driver update is not responding in your computer, install AWCC from the Dell Support website.

Installing AWCC from the Dell Support website

1. Download the latest version of the following applications from www.dell.com/support/drivers.
 - Alienware Command Center
 - Alienware Gaming Peripheral driver
2. Navigate to the folder where you saved the setup files.
3. Double-click the setup file and follow the on-screen instructions to install the application.

 **NOTE: You can customize the mouse features and lighting effects by using the Alienware Command Center (AWCC) application.**

Troubleshooting

Problems	Possible solutions
Mouse is not functioning	<ol style="list-style-type: none">1. Connect the mouse USB cable to another USB A port. A notification may appear indicating that the driver installation is in progress. If so, wait until a notification to appear indicating that the drivers are installed before you use the mouse.2. Restart the computer.
Mouse lights do not turn on	<ol style="list-style-type: none">1. Press any button to wake the mouse from sleep mode.2. Connect the mouse USB cable to another USB A port. A notification may appear indicating that the driver installation is in progress. If so, wait until a notification to appear indicating that the drivers are installed before you use the mouse.3. Restart the computer.
Mouse is not running based on the configuration selected in the Alienware Command Center (AWCC) application.	<ol style="list-style-type: none">1. Ensure that the Alienware Command Center (AWCC) application is installed on your computer.2. Open the Alienware Command Center (AWCC) application and ensure that the selected configuration is set up and saved.

Problems

Resolving cursor issues

Possible solutions

1. Connect the mouse USB cable to another USB A port. A notification may appear indicating that the driver installation is in progress. If so, wait until a notification to appear indicating that the drivers are installed before you use the mouse.
2. Ensure that the sensor is not obstructed or dirty.
3. Glass or very smooth glossy surfaces are not suitable for the mouse sensor to capture movement. Using a dark colored fabric mouse pad can improve the tracking.
4. Save any data, close any open program(s), and then restart the laptop/desktop. When you do not have another mouse or touchscreen, you may have to hold the power button down for at least 15 seconds to turn the laptop/desktop off. You may lose any data that is not saved.

Resolving mouse button issues

1. Ensure that there is nothing preventing the mouse buttons from moving. Most mouse buttons make a clicking noise when pressed down.
2. Connect the mouse USB cable to another USB A port. A notification may appear indicating that the driver installation is in progress. If so, wait until a notification to appear indicating that the drivers are installed before you use the mouse.

Problems

Possible solutions

Resolving mouse button issues
(continued)

3. Save any data, close any open program(s), and then restart the laptop/desktop. When you do not have another mouse or touchscreen, you may have to hold the power button down for at least 15 seconds to turn the laptop/desktop off. You may lose any data that is not saved.

Troubleshooting a slow moving cursor

- 1.** Ensure that the sensor is not obstructed or dirty.
- 2.** Glass or very smooth glossy surfaces are not suitable for the mouse sensor to capture movement. Using a dark colored fabric mouse pad can improve the tracking.use pad can improve the tracking.
- 3.** Change the mouse settings to adjust the pointer speed.
Click on the tab that matches the Operating System (OS) installed on your laptop/desktop and perform the steps within that section to change the settings.
 - In the **Search** box, type `main.cpl`.
 - Click or tap `main.cpl` in the list of programs.
 - Click or tap the **Pointer Options** tab.
 - Move the slider under **Select a Pointer Speed** to adjust the cursor speed to the desired level.
 - Click or tap **OK**.

Troubleshooting lift off distance (LOD) surface calibration issues

The LOD surface calibration depends on the surface characteristics and may not work on all surfaces.
Using a dark colored fabric mouse pad might improve LOD calibration.