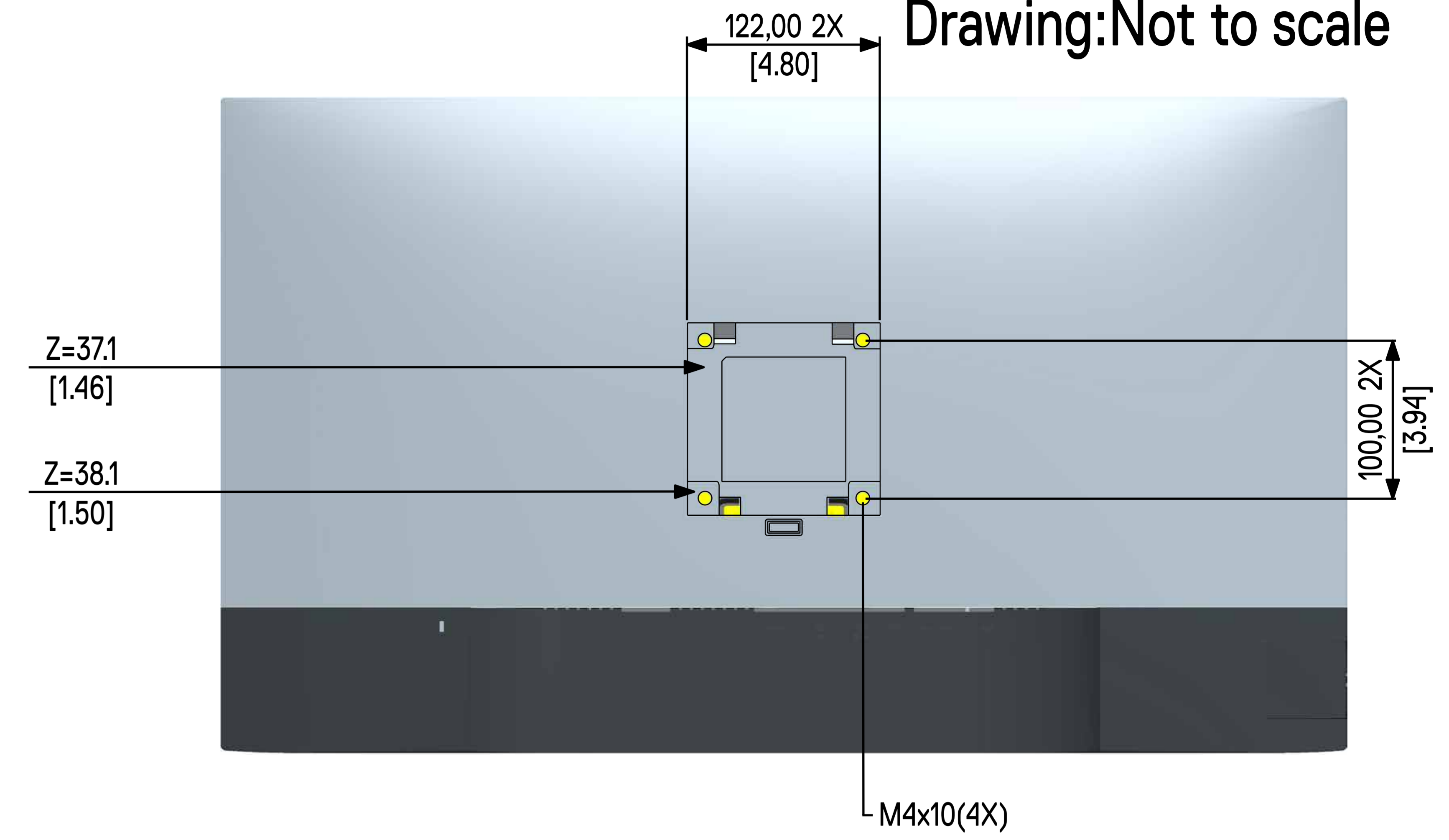
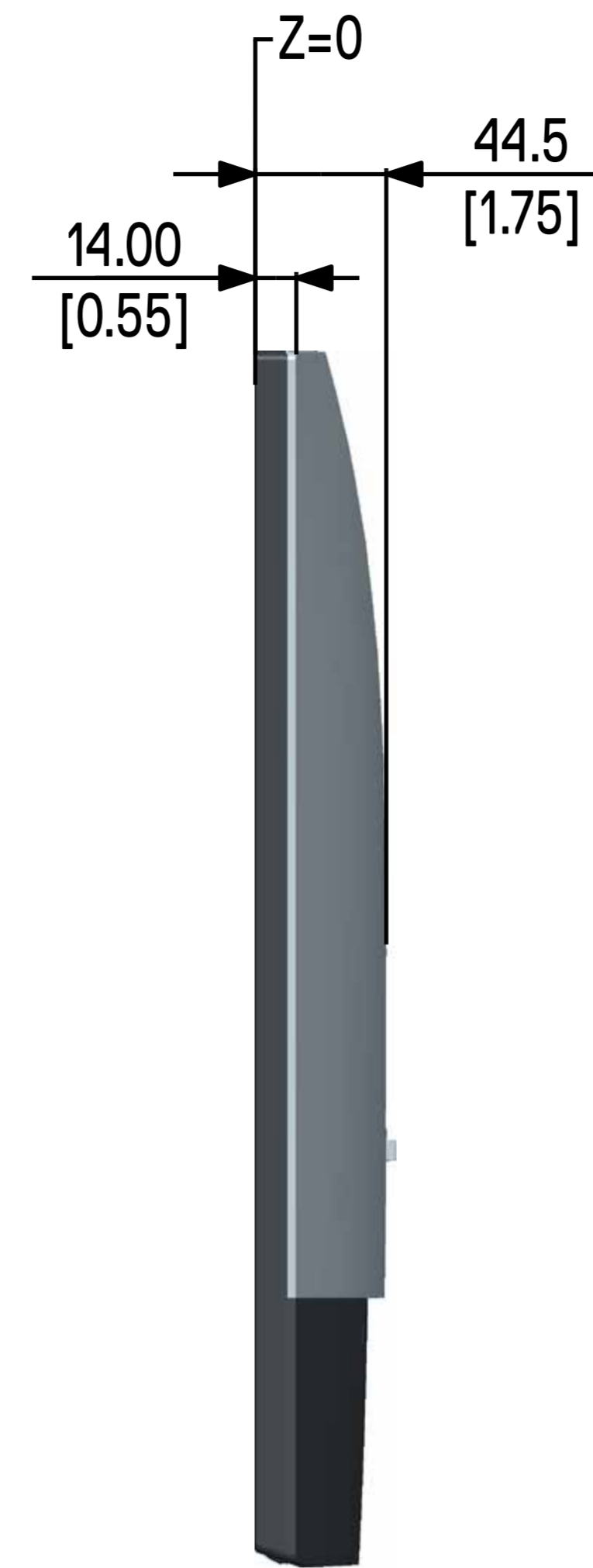
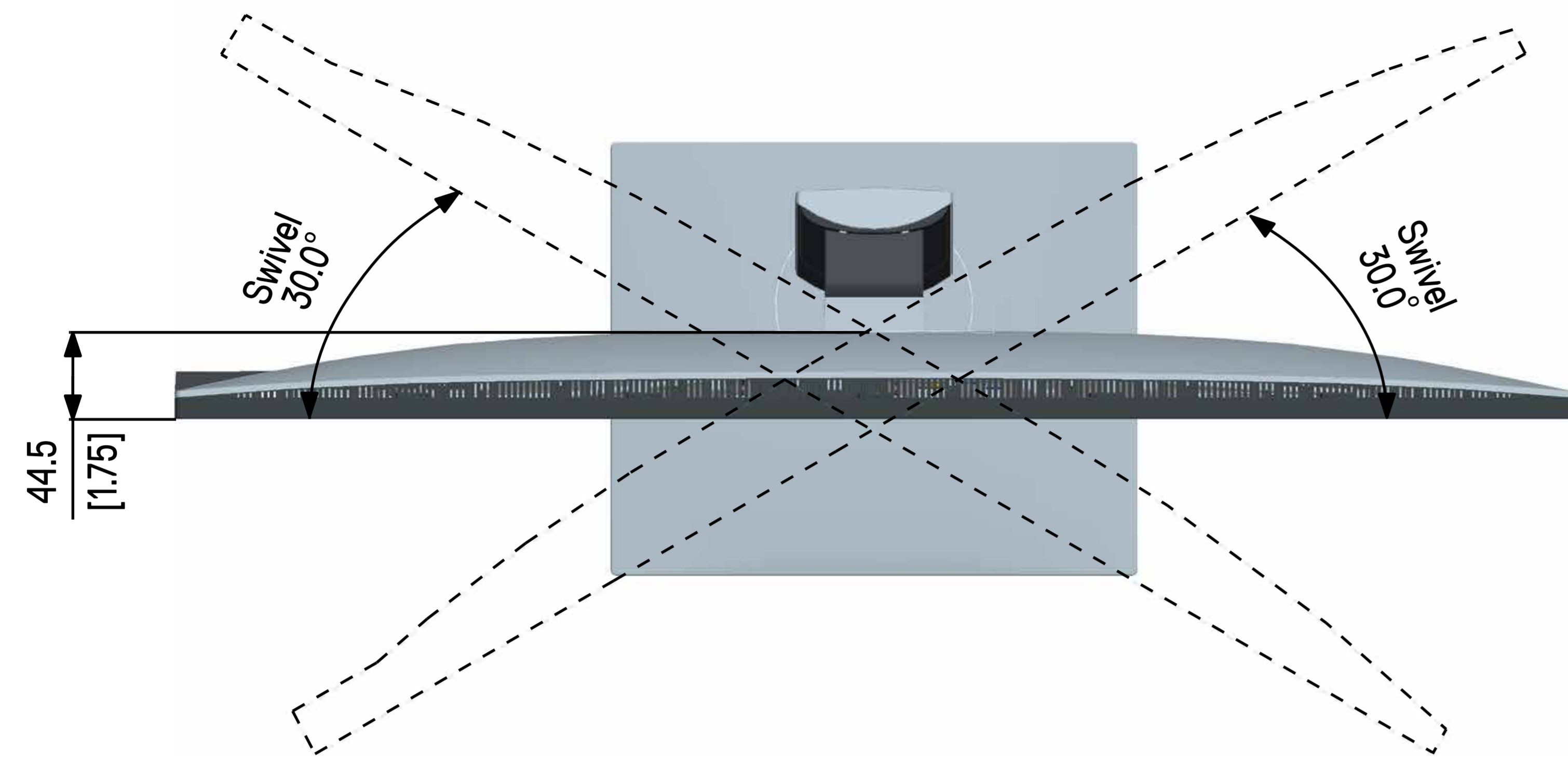


U3219Q Outline Dimension

Unit:mm(inch)
Dimension:Nominal
Drawing:Not to scale



Back View of Monitor without stand

