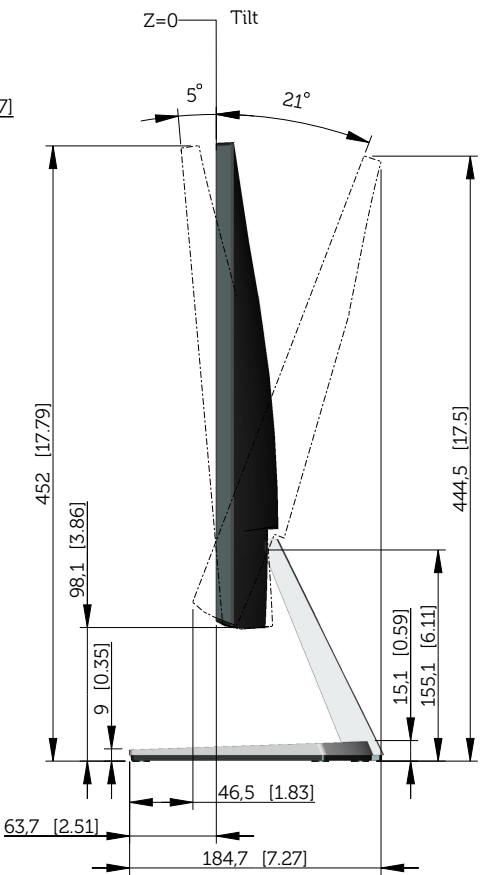
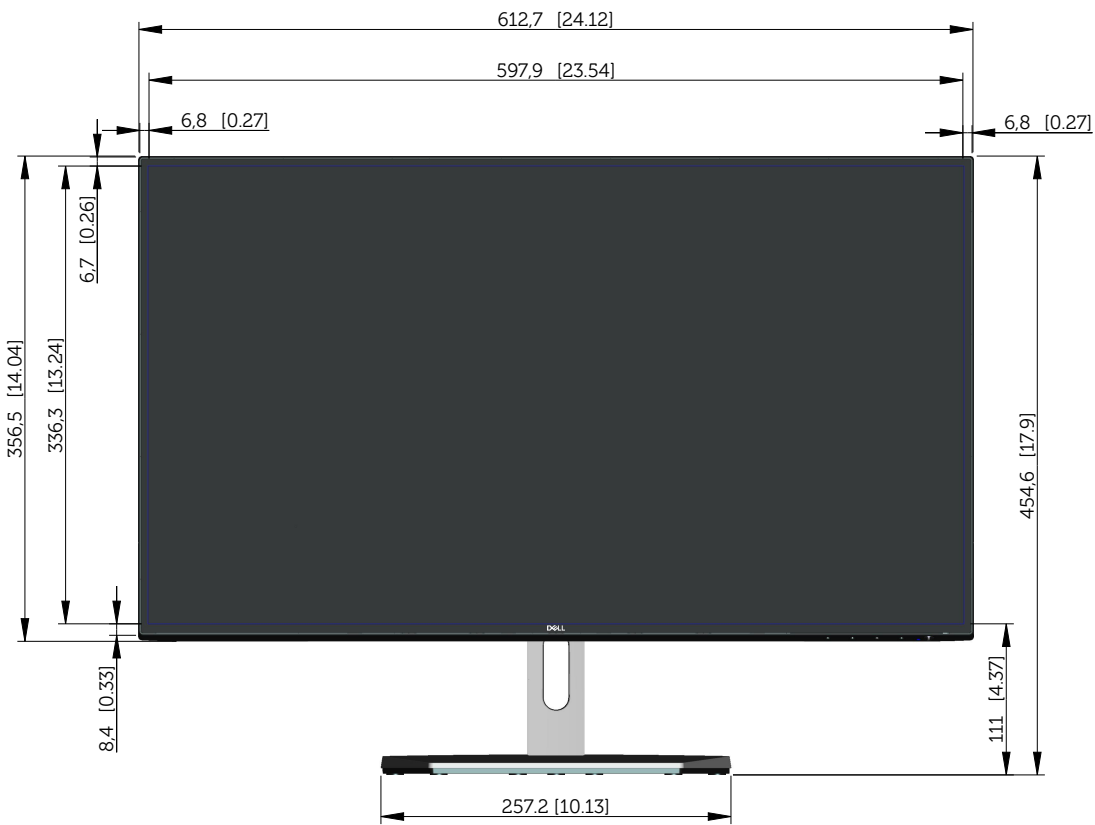
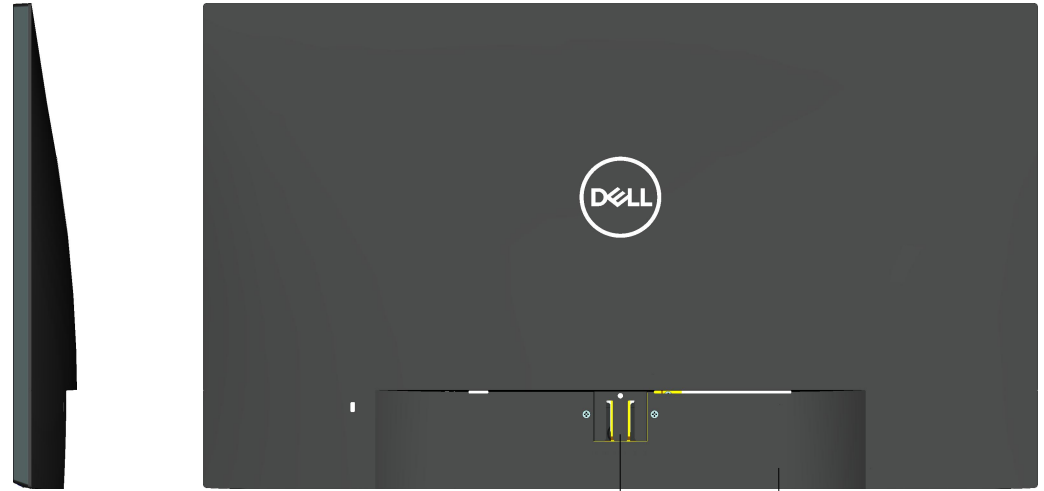
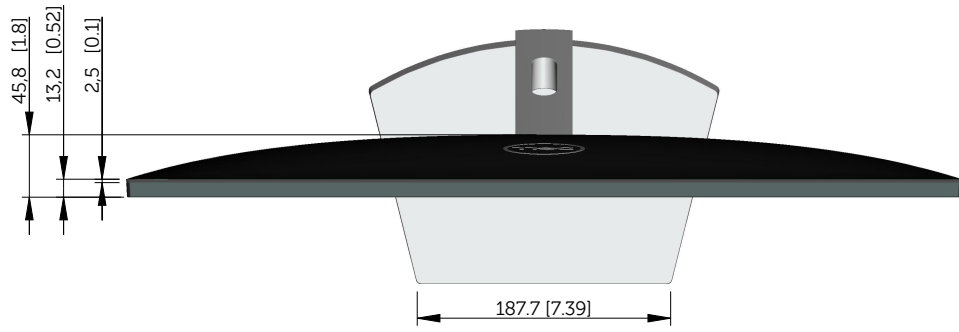


S2719H/S2719HN/S2719NX Outline Dimension

Unit: mm(inch)
 Dimension: Nominal
 Scale: Not to scale



Z=0 Tilt
 Z=16.5 [0.65]
 Z=22.0 [0.87]

