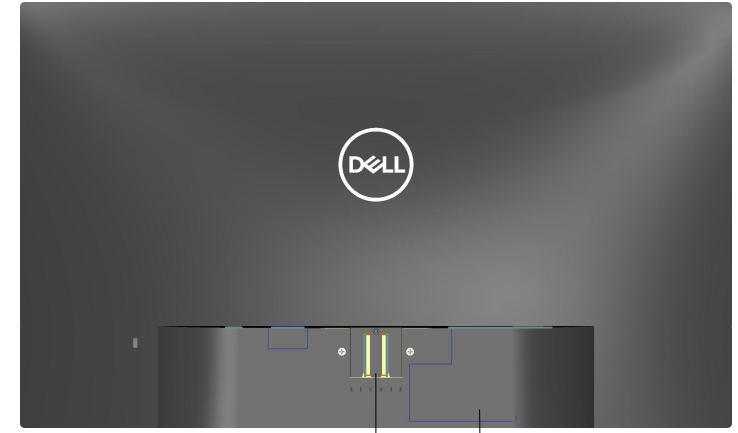
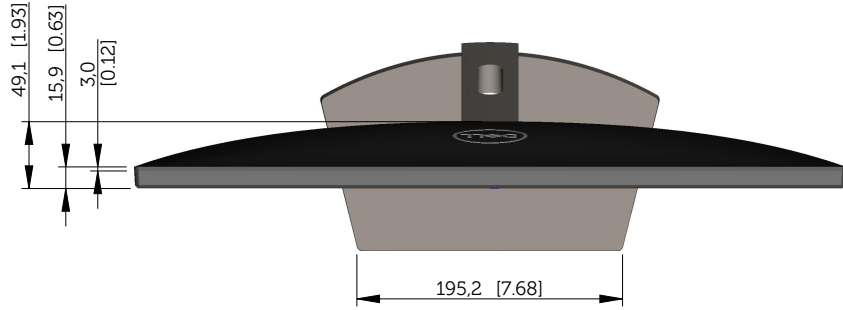


S2319H/S2319HN/S2319NX Outline Dimension

Unit: mm(inch)
 Dimension: Nominal
 Scale: Not to scale



z=18.4 [0.72]
 z=23.9 [0.94]

