




Dell™ OptiPlex™ XE Service Manual—Small Form Factor

[Working on Your Computer](#)
[Removing and Replacing Parts](#)
[Specifications](#)
[Diagnostics](#)
[System Setup](#)
[System Board Layout](#)

Notes, Cautions, and Warnings

-  **NOTE:** A NOTE indicates important information that helps you make better use of your computer.
-  **CAUTION:** A CAUTION indicates potential damage to hardware or loss of data if instructions are not followed.
-  **WARNING:** A WARNING indicates a potential for property damage, personal injury, or death.

If you purchased a Dell™ n Series computer, any references in this document to Microsoft® Windows® operating systems are not applicable.

Information in this document is subject to change without notice.
© 2010 Dell Inc. All rights reserved.

Reproduction of this material in any manner whatsoever without the written permission of Dell Inc. is strictly forbidden.

Trademarks used in this text: *Dell*, the *DELL* logo, and *OptiPlex* are trademarks of Dell Inc.; *Intel*, *Pentium*, *Celeron*, and *Core* are either trademarks or registered trademarks of Intel Corporation; *Bluetooth* is a registered trademark owned by Bluetooth SIG, Inc. and is used by Dell under license; *TouchStrip* is a trademark of Zvetco Biometrics, LLC; *Blu-ray Disc* is a trademark of the Blu-ray Disc Association; *Microsoft*, *Windows*, *Windows Server*, *Windows Vista*, and the *Windows Vista* start button are either trademarks or registered trademarks of Microsoft Corporation in the United States and/or other countries; *Adobe*, the *Adobe* logo, and *Adobe Flash Player* are trademarks of Adobe Systems Incorporated; *Wi-Fi* is a registered trademark of Wireless Ethernet Compatibility Alliance, Inc.

Other trademarks and trade names may be used in this document to refer to either the entities claiming the marks and names or their products. Dell Inc. disclaims any proprietary interest in trademarks and trade names other than its own.

March 2010 Rev. A00

System Setup

Dell™ OptiPlex™ XE Service Manual—Small Form Factor


- [Overview](#)
- [System Setup Options](#)
- [Booting to a USB Device](#)
- [Password Protection](#)
- [Clearing Forgotten Passwords](#)
- [Entering System Setup](#)
- [Boot Sequence](#)
- [Booting to a USB Device](#)
- [Jumper Settings](#)
- [Clearing CMOS Settings](#)

Overview

Use System Setup to:


- 1 Change the system configuration information after you add, change, or remove any hardware in your computer
- 1 Set or change a user-selectable option such as the user password
- 1 Read the current amount of memory or set the type of hard drive installed

Before you use System Setup, it is recommended that you write down the System Setup screen information for future reference.

 **CAUTION:** Unless you are an expert computer user, do not change the settings for this program. Certain changes can make your computer work incorrectly.

Entering System Setup

1. Turn on (or restart) your computer.
2. When the DELL™ logo is displayed, watch for the F12 prompt to appear.
3. Press <F12> immediately. The **Boot Menu** appears.
4. Use the up and down arrow keys to select **System Setup** and then press <Enter>.

 **NOTE:** The F12 prompt indicates that the keyboard has initialized. This prompt can appear very quickly, so you must watch for it to display, and then press <F12>. If you press <F12> before you are prompted, this keystroke will be lost.

5. If you wait too long and the operating system logo appears, continue to wait until you see the Microsoft® Windows® desktop. Then, shut down your computer and try again.

System Setup Screen

The System Setup screen displays current or changeable configuration information for your computer. Information on the screen is divided into two areas: the menu, and the main window.

| | |
|--|--|
| Options List — This field appears on the left side of the system setup window. The field is a scrollable list containing features that define the configuration of your computer, including installed hardware, power conservation, and security features. | Option Field — This field contains information about each option. In this field you can view your current settings and make changes to your settings. Use the Tab and Up/Down arrow keys on your keyboard to navigate or click to navigate using the mouse. |
|--|--|

System Setup Options

 **NOTE:** Depending on your computer and installed devices, the items listed in this section may not appear, or may not appear exactly as listed.

| | |
|----------------|-------------------------------------|
| General | |
| System Board | Displays the following information: |

| | |
|---------------|--|
| | <ul style="list-style-type: none"> 1 System information: Displays BIOS Info, System Info, and the Service Tag. 1 Memory information: Displays Installed Memory, Usable Memory, Memory Speed, Memory Channel Mode, and Memory Technology. 1 Processor information: Displays the Processor Type, Processor Speed, Processor Bus Speed, Processor L2 cache, Processor ID. 1 PCI information: Displays available slots on the system board. |
| Date/Time | Displays the system date and time. Changes to the system date and time take effect immediately. |
| Boot Sequence | Specifies the order in which the computer attempts to find an operating system from the devices specified in this list. |

| Drives | |
|----------------------|--|
| Diskette drive | Enables or disables the floppy drive connector on the system board. <ul style="list-style-type: none"> 1 Disable 1 Enable |
| SATA Operation | Configures the operating mode of the integrated hard drive controller to: <ul style="list-style-type: none"> 1 RAID Autodetect/AHCI (default) 1 RAID Autodetect/ATA 1 RAID On/ATA 1 Legacy |
| S.M.A.R.T. Reporting | Enables or disables integrated drive errors to be reported during system startup. This option is disabled by default. |
| Drives | Enables or disables the SATA or ATA drives connected to the system board. |

| System Configuration | |
|-----------------------|--|
| Integrated NIC | Enables or disables the integrated network card. You can set the integrated NIC to: |
| Integrated NIC 2 | <ul style="list-style-type: none"> 1 Enable (default) 1 Disable 1 Enable with PXE |
| USB Controller | Enables or disables the integrated USB controller. You can set the USB controller to: <ul style="list-style-type: none"> 1 Enable (default) 1 Disable 1 No boot |
| Serial Port #1 | Identifies and defines the serial port settings. You can set the serial port to: <ul style="list-style-type: none"> 1 Disable 1 Auto (default) 1 COM1 1 COM3 <p>NOTE: Auto, the default setting, automatically configures a connector to a particular designation (COM1 or COM3).</p> |
| Serial Port #2 | |
| Miscellaneous Devices | Enables or disables the following onboard devices: <ul style="list-style-type: none"> 1 Front USB 1 Rear Dual USB (under NIC1 and powered USB) 1 Rear Dual USB (under NIC2 and powered USB) 1 PCI slots 1 Audio 1 WiFi NIC slot |

| Video | |
|---------------|---|
| Primary Video | Specifies which video controller is primary when two video controllers are present on the computer. <ul style="list-style-type: none"> 1 Auto (default) 1 Onboard/PEG |

| Performance | |
|--------------------|---|
| Multi Core Support | Specifies whether one or all the cores of the processor will be enabled. <p>NOTE: The performance of some applications improve with additional cores.</p> |
| Intel® SpeedStep™ | Enables or disables the Intel SpeedStep mode. This option is disabled by default. |
| C States Control | Enables or disables additional processor sleep states. |

| | |
|-------------------|--------------------------------------|
| | This option is disabled by default. |
| Limit CPUID Value | Enables or disables the CPUID limit. |
| | This option is disabled by default. |

| Virtualization Support | |
|------------------------|--|
| Virtualization | Enables or disables Intel® Virtualization technology. This option is disabled by default. |
| VT for Direct I/O | Enables or disables the Virtual Machine Monitor (VMM) from utilizing the additional hardware capabilities provided by Intel Virtualization technology for direct I/O. This option is disabled by default. |

| Security | |
|-------------------------|--|
| Administrative Password | Provides restricted access to the computer's system setup program in the same way that access to the system can be restricted with the System Password option. This option is not set by default. |
| System Password | Displays the current status of the system's password security feature and allows a new system password to be assigned and verified. This option is not set by default. |
| Password Changes | Enables or disables the user from changing the system password without the administrative password. This option is enabled by default. |
| CPU XD Support | Enables or disables the execute disable mode of the processor. This option is enabled by default. |
| Computrace(R) | Enables or disables the optional Computrace® service designed for asset management. You can set this option to: <ul style="list-style-type: none"> Deactivate (default) Disable Activate |
| SATA-0 Password | Displays the current status of the password set for the hard drive connected to the SATA-0 connector on the system board. |
| SATA-1 Password | You can also set a new password. This option is not set by default. NOTE: The system setup program displays a password for each of the hard drives connected to your system board. |

| Power Management | |
|------------------|---|
| AC Recovery | Determines how the system responds when AC power is re-applied after a power loss. You can set the AC Recovery to: <ul style="list-style-type: none"> Power Off (default) Power On Last State |
| Auto On Time | Sets time to automatically turn on the computer. Time is kept in the standard 12-hour format (hours:minutes:seconds). Change the startup time by typing the values in the time and AM/PM fields. NOTE: This feature does not work if you turn off your computer using the switch on a power strip or surge protector or if Auto Power On is set to disabled . |
| Low Power Mode | Enables or disables low power mode. This option is disabled by default. NOTE: When low power mode is enabled, the integrated network card is disabled. |
| Remote Wakeup | Allows the system to power up when a network interface controller receives a wake up signal. You can set Remote Wakeup to: <ul style="list-style-type: none"> Disable (default) Enable Enable with Boot NIC |
| Suspend Mode | Sets the power management suspend mode to: |

| | |
|----------------------|--|
| | <ul style="list-style-type: none"> 1 S1 1 S3 (default) |
| Fan Control Override | <p>Controls the speed of the system fan.</p> <p>NOTE: When enabled, the fan runs at full speed.</p> |

| Maintenance | |
|------------------------|--|
| Service Tag | Displays the Service Tag of your computer. |
| System Management | <p>Enables or disables system management.</p> <ul style="list-style-type: none"> 1 Disable 1 DASH/ASF 2.0 |
| Asset Tag | <p>Allows you to create a system asset tag if an asset tag is not already set.</p> <p>This option is not set by default.</p> |
| SERR Messages | <p>Controls the SERR Message mechanism.</p> <p>This option is enabled by default.</p> <p>Some graphics cards require the SERR Message mechanism be disabled.</p> |
| Watchdog Timer Support | Enables or disables Watchdog support. |

| Post Behavior | |
|-----------------|--|
| Fast Boot | When enabled (default), your computer starts more quickly because it skips certain configurations and tests. |
| NumLock LED | <p>Enables or disables the NumLock feature when your computer starts.</p> <p>When enabled (default), this option activates the numeric and mathematical features shown at the top of each key. When disabled, this option activates the cursor-control functions labeled on the bottom of each key</p> |
| POST Hotkeys | <p>Allows you to specify the function keys to display on the screen when the computer starts.</p> <ul style="list-style-type: none"> 1 Enable F2 = Setup (enabled by default) 1 Enable F12 = Boot menu (enabled by default) |
| Keyboard Errors | <p>Enables or disables keyboard error reporting when the computer starts.</p> <p>This option is enabled by default.</p> |

| System Logs | |
|-------------|---|
| BIOS Events | <p>Displays the system event log and allows you to:</p> <ul style="list-style-type: none"> 1 Clear Log 1 Mark all Entries |

Boot Sequence

This feature allows you to change the Boot Device Property for devices.

Option Settings

- 1 **Onboard USB Floppy Drive** — The computer attempts to boot from the floppy drive.
- 1 **Onboard SATA Hard Drive** — The computer attempts to boot from the hard drive.
- 1 **USB Device** — The computer attempts to boot from a removable device, such as a USB key.
- 1 **CD/DVD** — The computer attempts to boot from the disc drive.

Changing the Boot Sequence for the Current Boot

You can use this feature, for example, to restart your computer to a USB device, such as a floppy drive, memory key, or optical drive.

1. If you are booting to a USB device, connect the USB device to a USB connector.
2. Turn on (or restart) your computer.

3. When **F12 = Boot Menu** appears in the upper-right corner of the screen, press **<F12>**.

If you wait too long and the operating system logo appears, continue to wait until you see the Microsoft Windows desktop, then shut down your computer and try again.


4. The **Boot Menu** appears, listing all available boot devices.
5. Use the arrow keys to select the appropriate device (for the current boot only).

 **NOTE:** To boot to a USB device, the device must be bootable. To ensure that a device is bootable, check the device documentation.

Changing the Boot Sequence for Future Boots

1. Enter System Setup (see [Entering System Setup](#)).
 2. Click to expand General and then click **Boot Sequence**.
 3. Highlight the appropriate device from the list of devices on the right and then click the up or down arrows to move the item you want to change.
 4. Click **Apply** to save the changes and then click **Exit** to exit System Setup and resume the boot process.
-

Booting to a USB Device

 **NOTE:** To boot to a USB device, the device must be bootable. To ensure that your device is bootable, check the device documentation.


Memory Key

1. Insert the memory key into a USB port and restart the computer.
2. When **F12 = Boot Menu** appears in the upper-right corner of the screen, press **<F12>**.
The BIOS detects the device and adds the USB device option to the boot menu.
3. From the boot menu, select the number that appears next to the USB device.
The computer boots to the USB device.


Floppy Drive

1. In system setup, set the **Diskette Drive** option to enable support for USB floppy drives.
 2. Save and exit system setup.
 3. Connect the USB floppy drive, insert a bootable floppy, and re-boot the computer.
-

Password Protection

 **CAUTION:** Although passwords provide security for the data on your computer, they are not foolproof. If your data requires more security, it is your responsibility to obtain and use additional forms of protection, such as data encryption programs.

System Password

 **CAUTION:** If you leave your computer running and unattended without having a system password assigned, or if you leave your computer unlocked so that someone can disable the password by changing a jumper setting, anyone can access the data stored on your hard drive.

Option Settings

You cannot change or enter a new system password if either of the following two options is displayed:

- 1 **Set** — A system password is assigned.
- 1 **Disabled** — The system password is disabled by a jumper setting on the system board.

You can only assign a system password when the following option is displayed:

- 1 **Not Set** — No system password is assigned and the password jumper on the system board is in the enabled position (the default setting).

Assigning a System Password

To exit without assigning a system password, press <Esc> at any time (before you press the **OK** button in step 4).

1. Enter system setup (see [Entering System Setup](#)).
2. Select **System Password**, and verify that **Password Status** is set to **Not Set**.

3. Type your new system password.

You can use up to 32 characters. To erase a character when entering your password, press <Backspace>. The password is case sensitive.

Certain key combinations are not valid. If you enter one of these invalid combinations, the speaker emits a beep.

As you press each character key (or the spacebar for a blank space), a placeholder appears.

4. Type your new password a second time to confirm and press **OK** button.

The password setting changes to **Set**.

Typing Your System Password

When you start or restart your computer, the following prompt appears on the screen.

If **Password Status** is set to **Locked**:

```
Type the password and press <Enter>.
```

If you have assigned an administrator password, the computer accepts your administrator password as an alternate system password.


If you type a wrong or incomplete system password, the following message appears on the screen:

```
** Incorrect password. **
```

If you again type an incorrect or incomplete system password, the same message appears on the screen. The third and subsequent times you type an incorrect or incomplete system password, the computer displays the following message:

```
** Incorrect password. **  
Number of unsuccessful password attempts: 3  
System halted! Must power down.
```

Even after your computer is turned off and on, the previous message is displayed each time you type an incorrect or incomplete system password.

 **NOTE:** You can use **Password Status** in conjunction with **System Password** and **Admin Password** to further protect your computer from unauthorized changes.

Deleting or Changing an Existing System Password

1. Enter system setup (see [Entering System Setup](#)).
2. Go to **Security**→ **System Password** and press <Enter>.
3. When prompted, type the system password.

4. Press <Enter> twice to clear the existing system password. The setting changes to **Not Set**.

If **Not Set** is displayed, the system password is deleted. If **Not Set** is not displayed, press <Alt> to restart the computer, and then repeat steps 3 and 4.

5. To assign a new password, follow the procedure in [Assigning a System Password](#).
6. Exit system setup.

Administrator Password

Option Settings

You cannot change or enter a new administrator password if either of the following two options is displayed:


- 1 **Set** — An administrator password is assigned.
- 1 **Disabled** — The administrator password is disabled by a jumper setting on the system board.

You can only assign an administrator password when the following option is displayed:

- 1 **Not Set** — No administrator password is assigned and the password jumper on the system board is in the enabled position (the default setting).

Assigning an Administrator Password

The administrator **password** can be the same as the system password.

 **NOTE:** If the two passwords are different, the administrator password can be used as an alternate system password. However, the system password cannot be used in place of the administrator password.

1. Enter system setup (see [Entering System Setup](#)) and verify that **Admin Password** is set to **Not Set**.
2. Select **Admin Password** and press <Enter>.
3. Type your new administrator password.

You can use up to 32 characters. To erase a character when entering your password, press <Backspace>. The password is case sensitive.

Certain key combinations are not valid. If you enter one of these invalid combinations, the speaker emits a beep.

As you press each character key (or the spacebar for a blank space), a placeholder appears.

4. Type your new password a second time to confirm and press **OK** button. The password setting changes to **Set**.
5. Exit system setup.

A change to **Admin Password** becomes effective immediately (no need to restart the computer).

Operating Your Computer With an Administrator Password Enabled

When you enter system setup, the **Admin Password** option is highlighted, prompting you to type the password.

If you do not type the correct password, the computer lets you view, but not modify, system setup options.

 **NOTE:** You can use **Password Status** in conjunction with **Admin Password** to protect the system password from unauthorized changes.

Deleting or Changing an Existing Administrator Password

To change an existing administrator password, you must know the administrator password.

1. Enter system setup (see [Entering System Setup](#)).
2. Type the administrator password at the prompt.
3. Highlight **Admin Password** and press the left- or right-arrow key to delete the existing administrator password.

The setting changes to **Not Set**.

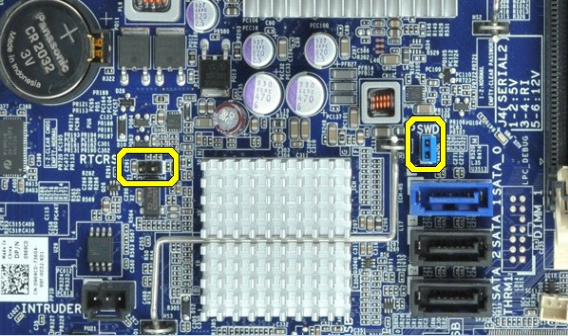
To assign a new administrator password, perform the steps in [Assigning an Administrator Password](#).

4. Exit system setup.

Disabling a Forgotten Password and Setting a New Password

To reset system and/or administrator passwords, see [Clearing Forgotten Passwords](#).

Jumper Settings



| Jumper | Setting | Description |
|---------------------------------|---------|--|
| PSWD | | Password features are enabled (default setting). |
| | | Password features are disabled. |
| RTCRST | | The real-time clock has not been reset. |
| | | The real-time clock is being reset (jumped temporarily). |
| <i>jumped</i> <i>unjumpered</i> | | |

Clearing Forgotten Passwords


WARNING: Before working inside your computer, read the safety information that shipped with your computer. For additional safety best practices information, see the Regulatory Compliance Homepage at www.dell.com/regulatory_compliance.

CAUTION: This process erases both the system and administrator passwords.

1. Follow the procedures in [Working on Your Computer](#).
2. Remove the computer cover.
3. Locate the 2-pin password jumper (PSWD) on the system board, and remove the jumper to clear the password. See [Password Protection](#).
4. Replace the computer [cover](#).
5. Connect your computer and monitor to electrical outlets, and turn them on.
6. After the Microsoft® Windows® desktop appears on your computer, shut down your computer.
7. Turn off the monitor and disconnect it from the electrical outlet.
8. Disconnect the computer power cable from the electrical outlet, and press the power button to ground the system board.
9. Open the computer cover.
10. Locate the 2-pin password jumper on the system board and attach the jumper to reenble the password feature.
11. Replace the computer [cover](#).


CAUTION: To connect a network cable, first plug the cable into the network wall jack and then plug it into the computer.

12. Connect your computer and devices to electrical outlets, and turn them on.


 **NOTE:** This procedure enables the password feature. When you enter system setup (see [Entering System Setup](#)), both system and administrator password options appear as **Not Set**—meaning that the password feature is enabled but no password is assigned.

13. Assign a new system and/or administrator password.

Clearing CMOS Settings

 **WARNING:** Before working inside your computer, read the safety information that shipped with your computer. For additional safety best practices information, see the Regulatory Compliance Homepage at www.dell.com/regulatory_compliance.

1. Follow the procedures in [Working on Your Computer](#).
2. Remove the [cover](#).
3. Reset the current CMOS settings:
 - a. Locate the password (PSWD) and CMOS (RTCST) jumpers on the system board (see [Password Protection](#)).
 - b. Remove the password jumper plug from its pins.
 - c. Place the password jumper plug on the RTCST pins and wait approximately 5 seconds.
 - d. Remove the jumper plug from the RTCST pins and place it back on the password pins.
4. Replace the computer [cover](#).

 **CAUTION:** To connect a network cable, first plug the cable into the network wall jack and then plug it into the computer.

5. Connect your computer and devices to electrical outlets, and turn them on.
-

[Back to Contents Page](#)

Diagnostics

Dell™ OptiPlex™ XE Service Manual—Small Form Factor

- [Dell Diagnostics](#)
- [Power Button Light Codes](#)
- [Beep Codes](#)
- [Diagnostic Lights](#)

Dell Diagnostics

When to Use the Dell Diagnostics

It is recommended that you print these procedures before you begin.

- 📌 **NOTE:** The Dell Diagnostics software works only on Dell computers.
- 📌 **NOTE:** The *Drivers and Utilities* media is optional and may not ship with your computer.

Enter system setup (see [Entering System Setup](#)), review your computer's configuration information, and ensure that the device you want to test displays in System Setup and is active.

Start the Dell Diagnostics from either your hard drive or from the *Drivers and Utilities* media.

Starting the Dell Diagnostics From Your Hard Drive

1. Turn on (or restart) your computer.
2. When the DELL logo appears, press <F12> immediately.

- 📌 **NOTE:** If you see a message stating that no diagnostics utility partition has been found, run the Dell Diagnostics from your *Drivers and Utilities* media.

If you wait too long and the operating system logo appears, continue to wait until you see the Microsoft® Windows® desktop. Then shut down your computer and try again.

3. When the boot device list appears, highlight **Boot to Utility Partition** and press <Enter>.
4. When the Dell Diagnostics **Main Menu** appears, select the test that you want to run.

Starting the Dell Diagnostics From the Drivers and Utilities Disc

1. Insert the *Drivers and Utilities* disc.
2. Shut down and restart the computer.

When the DELL logo appears, press <F12> immediately.

If you wait too long and the Windows logo appears, continue to wait until you see the Windows desktop. Then shut down your computer and try again.

- 📌 **NOTE:** The next steps change the boot sequence for one time only. On the next startup, the computer boots according to the devices specified in the system setup program.

3. When the boot device list appears, highlight **Onboard or USB CD-ROM Drive** and press <Enter>.
4. Select the **Boot from CD-ROM** option from the menu that appears and press <Enter>.
5. Type 1 to start the menu and press <Enter> to proceed.
6. Select **Run the 32 Bit Dell Diagnostics** from the numbered list. If multiple versions are listed, select the version appropriate for your computer.
7. When the Dell Diagnostics **Main Menu** appears, select the test you want to run.

Dell Diagnostics Main Menu

1. After the Dell Diagnostics loads and the **Main Menu** screen appears, click the button for the option you want.

| Option | Function |
|---------------|--|
| Express Test | Performs a quick test of devices. This test typically takes 10 to 20 minutes and requires no interaction on your part. Run Express Test first to increase the possibility of tracing the problem quickly. |
| Extended Test | Performs a thorough check of devices. This test typically takes 1 hour or more and requires you to answer questions periodically. |
| Custom Test | Tests a specific device. You can customize the tests you want to run. |
| Symptom Tree | Lists the most common symptoms encountered and allows you to select a test based on the symptom of the problem you are having. |






- If a problem is encountered during a test, a message appears with an error code and a description of the problem. Write down the error code and problem description and follow the instructions on the screen.
- If you run a test from the **Custom Test** or **Symptom Tree** option, click the applicable tab described in the following table for more information.

| Tab | Function |
|---------------|--|
| Results | Displays the results of the test and any error conditions encountered. |
| Errors | Displays error conditions encountered, error codes, and the problem description. |
| Help | Describes the test and may indicate requirements for running the test. |
| Configuration | Displays your hardware configuration for the selected device. The Dell Diagnostics obtains configuration information for all devices from system setup, memory, and various internal tests, and it displays the information in the device list in the left pane of the screen. The device list may not display the names of all the components installed on your computer or all devices attached to your computer. |
| Parameters | Allows you to customize the test by changing the test settings. |

- When the tests are completed, if you are running the Dell Diagnostics from the *Drivers and Utilities* disc, remove the disc.
- Close the test screen to return to the **Main Menu** screen. To exit the Dell Diagnostics and restart the computer, close the **Main Menu** screen.

Power Button Light Codes

The diagnostic lights give much more information about the system state, but legacy power light states are also supported in your computer. The power light states are shown in following table.

| Power Light State | Description |
|--|--|
|  Off | Power is off, light is blank. |
|  Blinking Amber | Initial state of light at power up. Indicates system has power, but the POWER_GOOD signal is not yet active. If the Hard Drive light is off , it is probable that the power supply needs to be replaced. If the Hard Drive light on , it is probable that an onboard regulator or VRM has failed. Look at the diagnostic lights for further information. |
|  Solid Amber | Second state of the light at power up. Indicates the POWER_GOOD signal is active and it is probable that the power supply is fine. Look at the diagnostic lights for further information. |
|  Blinking Green | System is in a low power state, either S1 or S3. Look at the diagnostic lights to determine which state the system is in. |
|  Solid Green | System is in S0 state, the normal power state of a functioning machine. The BIOS will turn the light to this state to indicate it has started fetching op-codes. |

Beep Codes


If the monitor cannot display error messages during the POST, the computer may emit a series of beeps that identifies the problem or that can help you identify a faulty component or assembly. The following table lists the beep codes that may be generated during the POST. Most beep codes indicate a fatal error that prevents the computer from completing the boot routine until the indicated condition is corrected.











| Code | Cause |
|---------------------|--|
| 1-1-2 | Microprocessor register failure |
| 1-1-3 | NVRAM read/write failure |
| 1-1-4 | ROM BIOS checksum failure |
| 1-2-1 | Programmable interval timer failure |
| 1-2-2 | DMA initialization failure |
| 1-2-3 | DMA page register read/write failure |
| 1-3 | Video Memory Test failure |
| 1-3-1 through 2-4-4 | Memory not being properly identified or used |
| 3-1-1 | Slave DMA register failure |
| 3-1-2 | Master DMA register failure |
| 3-1-3 | Master interrupt mask register failure |
| 3-1-4 | Slave interrupt mask register failure |
| 3-2-2 | Interrupt vector loading failure |
| 3-2-4 | Keyboard Controller Test failure |
| 3-3-1 | NVRAM power loss |

| | |
|-------|---|
| 3-3-2 | Invalid NVRAM configuration |
| 3-3-4 | Video Memory Test failure |
| 3-4-1 | Screen initialization failure |
| 3-4-2 | Screen retrace failure |
| 3-4-3 | Search for video ROM failure |
| 4-2-1 | No timer tick |
| 4-2-2 | Shutdown failure |
| 4-2-3 | Gate A20 failure |
| 4-2-4 | Unexpected interrupt in protected mode |
| 4-3-1 | Memory failure above address 0FFFh |
| 4-3-3 | Timer-chip counter 2 failure |
| 4-3-4 | Time-of-day clock stopped |
| 4-4-1 | Serial or parallel port test failure |
| 4-4-2 | Failure to decompress code to shadowed memory |
| 4-4-3 | Math-coprocessor test failure |
| 4-4-4 | Cache test failure |

Diagnostic Lights

To help troubleshoot a problem, your computer has four lights labeled 1, 2, 3, and 4 on the bank panel. When the computer starts normally, the lights flash before turning off. If the computer malfunctions, the sequence of the lights help to identify the problem.

 **NOTE:** After the computer completes POST, all four lights turn off before booting to the operating system.

| Light Pattern | Problem Description | Suggested Resolution |
|---|---|--|
|  | The computer is in a normal <i>off</i> condition or a possible pre-BIOS failure has occurred. The diagnostic lights are not lit after the computer successfully boots to the operating system. | <ul style="list-style-type: none"> 1 Plug the computer into a working electrical outlet. 1 If the problem persists, contact Dell. |
|  | A possible processor failure has occurred. | <ul style="list-style-type: none"> 1 Reseat the processor (see Processor information for your computer). 1 If the problem persists, contact Dell. |
|  | Memory modules are detected, but a memory failure has occurred. | <ul style="list-style-type: none"> 1 If two or more memory modules are installed, remove the modules, then reinstall one module and restart the computer. If the computer starts normally, continue to install additional memory modules (one at a time) until you have identified a faulty module or reinstalled all modules without error. 1 If available, install working memory of the same type into your computer. 1 If the problem persists, contact Dell. |
|  | A possible graphics card failure has occurred. | <ul style="list-style-type: none"> 1 Reseat any installed graphics cards. 1 If available, install a working graphics card into your computer. 1 If the problem persists, contact Dell. |
|  | A possible floppy drive or hard drive failure has occurred. | Reseat all power and data cables. |
|  | A possible USB failure has occurred. | Reinstall all USB devices and check all cable connections. |
|  | No memory modules are detected. | <ul style="list-style-type: none"> 1 If two or more memory modules are installed, remove the modules, then reinstall one module and restart the computer. If the computer starts normally, continue to install additional memory modules (one at a time) until you have identified a faulty module or reinstalled all modules without error. 1 If available, install working memory of the same type into your computer. 1 If the problem persists, contact Dell. |
|  | Memory modules are detected, but a memory configuration or compatibility error has occurred. | <ul style="list-style-type: none"> 1 Ensure that no special requirements for memory module/connector placement exist. 1 Ensure that the memory you are using is supported by your computer (see the Specifications section for your computer). 1 If the problem persists, contact Dell. |
|  | A possible expansion card failure has occurred. | <ul style="list-style-type: none"> 1 Determine if a conflict exists by removing an expansion card (not a graphics card) and restarting the computer. 1 If the problem persists, reinstall the card you removed, then remove a different card and restart the computer. 1 Repeat this process for each expansion card installed. If the computer starts normally, troubleshoot the last card removed from the computer for resource conflicts. 1 If the problem persists, contact Dell. |
|  | Another failure has occurred. | <ul style="list-style-type: none"> 1 Ensure that all hard drive and optical drive cables are properly connected to the system board. 1 If there is an error message on the screen identifying a problem with a device (such as the floppy drive or hard drive), check the device to make sure it is functioning properly. |

- | | | |
|--|--|---|
| | | <ul style="list-style-type: none">1 If the operating system is attempting to boot from a device (such as the floppy drive or optical drive), check system setup to ensure the boot sequence is correct for the devices installed on your computer.1 If the problem persists, contact Dell. |
|--|--|---|

[Back to Contents Page](#)

[Back to Contents Page](#)

Removing and Replacing Parts

Dell™ OptiPlex™ XE Service Manual—Small Form Factor

- [Cover](#)
- [Optical Drive](#)
- [Fan](#)
- [Memory](#)
- [Power Supply](#)
- [I/O Panel](#)
- [Internal Speaker](#)
- [System Board](#)
- [Front Panel](#)
- [Hard Drive](#)
- [Heat Sink and Processor](#)
- [Thermal Sensor](#)
- [Expansion Card](#)
- [Chassis Intrusion Switch](#)
- [Coin-Cell Battery](#)


[Back to Contents Page](#)


[Back to Contents Page](#)

Specifications

Dell™ OptiPlex™ XE Service Manual—Small Form Factor

- [Processor](#)
- [Memory](#)
- [Expansion Bus](#)
- [Video](#)
- [System Information](#)
- [Cards](#)
- [Drives](#)
- [External Connectors](#)
- [Controls and Lights](#)
- [Network](#)
- [Audio](#)
- [Power](#)
- [System Board Connectors](#)
- [Physical](#)
- [Environmental](#)

 **NOTE:** Offerings may vary by region. For more information regarding the configuration of your computer, click Start → Help and Support and select the option to view information about your computer.

 **NOTE:** Unless otherwise stated, the specifications are identical for desktop and small form factor computers.

| Processor | |
|--------------------|---|
| Type | <ul style="list-style-type: none"> 1 Intel® Core™2 E7400 1 Intel Pentium® Dual Core E5300 1 Intel Celeron® 440 |
| Level 2 (L2) cache | <ul style="list-style-type: none"> 1 Intel Core 2 E7400 - 3M 1 Intel Pentium Dual Core E5300 - 2M 1 Intel Celeron 440 - 512K |

| Memory | |
|----------------|-----------------|
| Type | DDR3 SDRAM |
| Speed | 1066 MHz |
| Connectors | four DIMM slots |
| Capacity | 1 GB or 2 GB |
| Minimum memory | 1 GB |
| Maximum memory | 8 GB |

| Video | |
|---------------|---|
| Video Type: | |
| Integrated | integrated on system board |
| Discrete | PCI-E x16 dual-channel graphics card with one DVI port and one DisplayPort connector. |
| Video memory: | |
| Integrated | <p><i>Microsoft® Windows® XP</i></p> <ul style="list-style-type: none"> up to 512 MB shared video memory (with 1 GB system memory) up to 1GB shared video memory (with 2 GB or more of system memory) <p><i>Windows Vista® and Windows 7</i></p> <ul style="list-style-type: none"> up to 272 MB shared video memory (with 1 GB system memory) up to 784 MB shared video memory (with 2 GB system memory) up to 1296 MB shared video memory (with 3 GB system memory) up to 1808 MB shared video memory (with 4 GB system memory) up to 3856 MB shared video memory (with 8 GB system memory) <p>NOTE: Video memory is assigned dynamically based on the total system memory and graphic applications requirements.</p> |
| Discrete | 512 MB |

| Audio | |
|------------|--|
| Integrated | <ul style="list-style-type: none"> 1 Realtek ALC2690-VB 1 Optional chassis speaker |

| Network | |
|------------|---|
| Integrated | <ul style="list-style-type: none"> 1 Integrated Broadcom BCM57780 Gigabit Ethernet LAN controller capable of 10/100/1000 Mb/s communication 1 Integrated Broadcom BCM5761 NetXtreme |

| System Information | |
|--------------------|------------------------------------|
| Chipset | Intel Q45/ICH10DO Embedded Chipset |
| DMA channels | eight |
| Interrupt levels | 24 |
| BIOS chip (NVRAM) | 16 Mb |

| Expansion Bus | |
|---------------|---|
| Bus type | PCI 2.3 PCI Express 1.1 SATA 1.0 and 2.0 USB 2.0 |
| Bus speed | PCI: 133 Mbps PCI Express x1: 2.5 Gbps SATA: 1.5 Gbps and 3.0 Gbps USB: 480 Mbps |

| Cards | |
|--|---|
| PCI: | |
| Desktop | without riser card — two low profile cards with riser card — two full height cards |
| Small Form Factor | one low-profile card |
| PCI Express x1: | |
| Desktop | one low profile card |
| Small Form Factor | N/A |
| PCI Express x16 (with support for PCI Express x1): | |
| Desktop | without riser card— one low profile card with riser card — one full height card |
| Small form factor | one low profile card |
| NOTE: The PCI Express x16 slot is disabled when a display is connected to the integrated video connector. | |

| Drives | |
|----------------------------|-----------------|
| Externally accessible | |
| 5.25 inch drive bay(s): | |
| Desktop | one |
| Small Form Factor | one (slim line) |
| Internally accessible | |
| 3.5 inch SATA drive bay: | |
| Desktop | two |
| Small Form Factor | one |
| Available devices | |
| 2.5 inch SATA hard drives: | |
| Desktop | one |
| Small Form Factor | two |
| 3.5 inch SATA hard drives: | |
| Desktop | two |

| | |
|--|-----------------|
| Small Form Factor | one |
| 5.25 inch SATA DVD+/-RW drive: | |
| Desktop | one |
| Small Form Factor | one (slim line) |
| NOTE: The Small Form Factor computer can support only two 2.5" hard drives with brackets. | |

| | |
|----------------------------|--|
| External Connectors | |
| Audio: | |
| Back panel | one line-out connector one line-in connector/microphone |
| Network | two RJ45 connectors |
| Serial | two 9-pin connector; 16550C-compatible |
| USB 2.0: | |
| Front panel | two connectors |
| Back panel | four connectors one 24 V powered connector |
| Video | one 15-pin VGA connector one DisplayPort connector DVI with add-on graphics card only NOTE: Video connectors vary depending on the graphics card selected. |

| | |
|--|---|
| System Board Connectors | |
| PCI 2.3 - data width 32 bits: | |
| Desktop | two 120-pin connectors |
| Small Form Factor | one 120-pin connector |
| PCI Express x16 - data width 16 PCI Express lanes: | |
| Desktop | one 164-pin x16 connector |
| Small Form Factor | one 164-pin (x16) connector |
| PCI Express x1- Data width one PCI- Express lane: | |
| Desktop | one 36-pin connector |
| Small Form Factor | N/A |
| Serial ATA: | |
| Desktop | three 7-pin connectors |
| Small Form Factor | three 7-pin connectors |
| Memory | four 240-pin connectors |
| Internal USB device | one 10-pin connector (supports two USB ports) |
| Processor fan | one 5-pin connector |
| Hard-drive fan | one 5-pin connector |
| Front panel control | one 40-pin connector |
| Processor | one 775-pin connector |
| Power 12 V | one 4-pin connector |
| Power | one 24-pin connector |

| | |
|----------------------------|---|
| Controls and Lights | |
| Front of the computer: | |
| Power button light | solid blue light — indicates power-on state blinking blue light — indicates sleep state of the computer solid amber light — indicates a problem with the system board or power supply blinking amber light — indicates a problem with the system board |
| Drive activity light | displays the SATA hard drive or optical drive activity blue light — indicates that the computer is reading |

| | |
|--|--|
| | data from or writing data to the drive |
| Network connectivity light | blue light — indicates that a good connection exists between the network and the computer off — indicates that the computer is not detecting a physical connection to the network |
| Diagnostic lights | four lights located on the front panel of the computer |
| Wi-Fi® connectivity light | blue light — indicates that a good connection exists between the network and the computer off — indicates that the computer is not detecting a connection to the network |
| Back of the computer: | |
| Link integrity light on integrated network adapter | green — a 10 Mbps connection exists between the network and the computer orange — a 100 Mbps connection exists between the network and the computer yellow — a 1000 Mbps connection exists between the network and the computer off (no light) — the computer is not detecting a physical connection to the network |
| Network activity light on integrated network adapter | yellow light — indicates that network activity is present |

| | |
|--|------------------------------|
| Power | |
| DC power supply: | |
| Wattage: | |
| Desktop (EPA) | 300 W |
| Small Form Factor (EPA) | 280 W |
| Maximum heat dissipation: | |
| Desktop (EPA) | 1204 BTU/hr |
| Small Form Factor (EPA) | 1124 BTU/hr |
| Voltage: | |
| Desktop (EPA) | 100-240 VAC, 50/60 Hz, 6.0 A |
| Small Form Factor (EPA) | 100-240 VAC, 50/60 Hz, 5.0 A |
| NOTE: Heat dissipation is calculated using the power-supply wattage rating. | |
| NOTE: See the safety information that shipped with your computer for important voltage-setting information. | |
| Coin-cell battery | 3 V CR2032 lithium coin cell |

| | |
|-------------------|-------------------------|
| Physical | |
| Height: | |
| Desktop | 10.93 cm (4.30 inches) |
| Small Form Factor | 8.52 cm (3.35 inches) |
| Width: | |
| Desktop | 39.65 cm (15.60 inches) |
| Small Form Factor | 28.96 cm (11.40 inches) |
| Depth: | |
| Desktop | 34.90 cm (13.70 inches) |
| Small Form Factor | 32.36 cm (12.74 inches) |
| Weight (Minimum): | |
| Desktop | 9.38 kg (20.68 lbs) |
| Small Form Factor | 6.48 kg (14.29 lbs) |

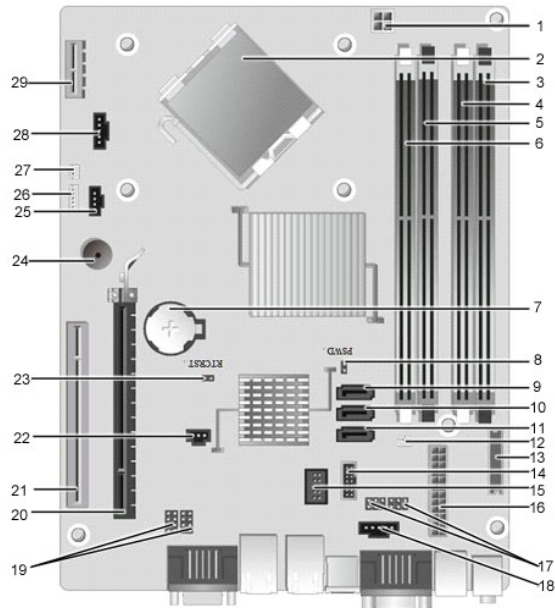
| | |
|----------------------|--|
| Environmental | |
| temperature: | |
| Operating | 10 °C to 45 °C (50 °F to 113 °F) |
| Storage | -40 °C to 60 °C (-40 °F to 140 °F) |
| Relative humidity | 20% to 80% (non-condensing) |
| Maximum vibration: | |
| Operating | random vibrate 5 ~500 Hz, 0.26 Grms, two sides |

| | |
|----------------------------|--|
| Storage | random vibrate 5 ~ 500 Hz, 2.2 Grms, six sides |
| Maximum shock: | |
| Operating | HALF SN 40 G/2 ms, two sides |
| Storage | HALF SN 105 G/2 ms, six sides |
| Altitude: | |
| Operating | below 3048 m (10,000 ft) (42 °C at 10,000 ft) |
| Storage | below 10,668 m (35,000 ft) |
| Airborne contaminant level | G2 or lower as defined by ISA-S71.04-1985 |

[Back to Contents Page](#)

System Board Layout

Dell™ OptiPlex™ XE Service Manual—Small Form Factor



| | | | |
|----|---|----|--|
| 1 | processor power connector (12VPOWER) | 2 | processor connector (CPU) |
| 3 | memory module connectors (DIMM_4) | 4 | memory module connectors (DIMM_2) |
| 5 | memory module connectors (DIMM_3) | 6 | memory module connectors (DIMM_1) |
| 7 | battery socket (BATTERY) | 8 | password jumper (PSWD) |
| 9 | SATA drive connectors (SATA0) | 10 | SATA drive connectors (SATA1) |
| 11 | SATA drive connectors (SATA2) | 12 | thermal sensor connector (back) |
| 13 | front-panel connector (FRONTPANEL) | 14 | external power USB connector |
| 15 | internal USB connector | 16 | power connector (POWER) |
| 17 | serial port jumper (J3 and J4) | 18 | power connector (24V POWER) |
| 19 | serial port jumper (J1 and J2) | 20 | PCI Express x16 card connector (SLOT1) |
| 21 | PCI card connectors (SLOT2) - half height | 22 | intruder switch cable connector (INTRUDER) |
| 23 | RTC reset jumper (RTCST) | 24 | internal buzzer (SPKR) |
| 25 | fan connector (FAN_HDD) | 26 | speaker connector (INT_SPKR) |
| 27 | thermal sensor connector (front) | 28 | fan connector (FAN_CPU) |
| 29 | wireless card connector (SLOT6) | | |

[Back to Contents Page](#)

Expansion Card

Dell™ OptiPlex™ XE Service Manual—Small Form Factor

WARNING: Before working inside your computer, read the safety information that shipped with your computer. For additional safety best practices information, see the Regulatory Compliance Homepage at www.dell.com/regulatory_compliance.

Removing the Expansion Card



NOTE: You may need to install Adobe® Flash® Player from Adobe.com in order to view the illustrations below.

1. Follow the procedures in [Before Working Inside Your Computer](#).
2. Rotate the release tab on the card-retention latch upward.

3. Pull the release lever from the card and lift the card up and out of its connector on the system board.

Replacing the Expansion Card

To replace the expansion card, perform the above steps in reverse order.

[Back to Contents Page](#)

[Back to Contents Page](#)

Coin-Cell Battery

Dell™ OptiPlex™ XE Service Manual—Small Form Factor

WARNING: Before working inside your computer, read the safety information that shipped with your computer. For additional safety best practices information, see the Regulatory Compliance Homepage at www.dell.com/regulatory_compliance.

Removing the Coin-Cell Battery



NOTE: You may need to install Adobe® Flash® Player from Adobe.com in order to view the illustrations below.

1. Follow the procedures in [Before Working Inside Your Computer](#).
2. Pull the retention clip away from the coin-cell battery.

3. Lift the coin-cell battery up and away from the computer.

Replacing the Coin-Cell Battery

To replace the coin-cell battery, perform the above steps in reverse order.

[Back to Contents Page](#)

[Back to Contents Page](#)

Cover

Dell™ OptiPlex™ XE Service Manual—Small Form Factor

⚠ WARNING: Before working inside your computer, read the safety information that shipped with your computer. For additional safety best practices information, see the Regulatory Compliance Homepage at www.dell.com/regulatory_compliance.

Removing the Cover



1. Follow the procedures in [Before Working Inside Your Computer](#).
2. Slide back the cover release latch.

3. Tilt the cover from the top outward and remove the cover from the computer.

Replacing the Cover

To replace the cover, perform the above steps in reverse order.

[Back to Contents Page](#)

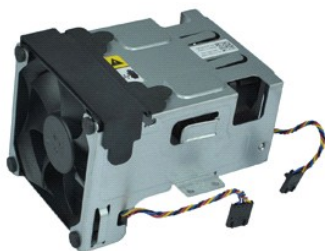
[Back to Contents Page](#)

Fan

Dell™ OptiPlex™ XE Service Manual—Small Form Factor

WARNING: Before working inside your computer, read the safety information that shipped with your computer. For additional safety best practices information, see the Regulatory Compliance Homepage at www.dell.com/regulatory_compliance.

Removing the Fan



NOTE: You may need to install Adobe® Flash® Player from Adobe.com in order to view the illustrations below.

1. Follow the procedures in [Before Working Inside Your Computer](#).
2. Remove the [optical drive](#).
3. Remove the [hard drive assembly](#).
4. Disconnect the fan cables from the system board.

5. Remove the screws that secure the fan to heat sink assembly.

6. Remove the fan from the computer.

Replacing the Fan

To replace the fan, perform the above steps in reverse order.

[Back to Contents Page](#)

[Back to Contents Page](#)

Front Panel

Dell™ OptiPlex™ XE Service Manual—Small Form Factor

WARNING: Before working inside your computer, read the safety information that shipped with your computer. For additional safety best practices information, see the Regulatory Compliance Homepage at www.dell.com/regulatory_compliance.

Removing the Front Panel



NOTE: You may need to install Adobe® Flash® Player from Adobe.com in order to view the illustrations below.

1. Follow the procedures in [Before Working Inside Your Computer](#).
2. Release the tabs that secure the front panel to the computer chassis.

3. Remove the front panel from the computer.

Replacing the Front Panel

To replace the front panel, perform the above steps in reverse order.

[Back to Contents Page](#)

[Back to Contents Page](#)

Hard Drive

Dell™ OptiPlex™ XE Service Manual—Small Form Factor

WARNING: Before working inside your computer, read the safety information that shipped with your computer. For additional safety best practices information, see the Regulatory Compliance Homepage at www.dell.com/regulatory_compliance.

Removing the Hard Drive



NOTE: You may need to install Adobe® Flash® Player from Adobe.com in order to view the illustrations below.

1. Follow the procedures in [Before Working Inside Your Computer](#).
2. Press in on the blue tabs located on either sides of the hard drive assembly, and lift the hard drive assembly out of the computer.
3. Disconnect the power and data cables from the hard drive.
4. Remove the hard drive assembly from the computer.
5. Pull up the blue tabs and remove the hard drive from the hard drive assembly.

Replacing the Hard Drive

To replace the hard drive, perform the above steps in reverse order.

[Back to Contents Page](#)

[Back to Contents Page](#)

Heat Sink and Processor

Dell™ OptiPlex™ XE Service Manual—Small Form Factor

WARNING: Before working inside your computer, read the safety information that shipped with your computer. For additional safety best practices information, see the Regulatory Compliance Homepage at www.dell.com/regulatory_compliance.

Removing the Heat Sink and Processor



NOTE: You may need to install Adobe® Flash® Player from Adobe.com in order to view the illustrations below.

1. Follow the procedures in [Before Working Inside Your Computer](#).
2. Disconnect the fan cables from the system board.

3. Release the 12V power cable from its routing clip.

4. Loosen the captive screws that secure the heat-sink assembly to the system board.

5. Remove the heat-sink assembly from the computer.

6. Slide the cover release latch from under the cover latch and pull back the cover release latch to release the processor cover.

7. Lift the processor cover.

8. Remove the processor from its socket on the system board.

Replacing the Heat Sink and Processor

To replace the heat sink and processor, perform the above steps in reverse order.

[Back to Contents Page](#)

[Back to Contents Page](#)

Chassis Intrusion Switch

Dell™ OptiPlex™ XE Service Manual—Small Form Factor

WARNING: Before working inside your computer, read the safety information that shipped with your computer. For additional safety best practices information, see the Regulatory Compliance Homepage at www.dell.com/regulatory_compliance.

Removing the Chassis Intrusion Switch



NOTE: You may need to install Adobe® Flash® Player from Adobe.com in order to view the illustrations below.

1. Follow the procedures in [Before Working Inside Your Computer](#).
2. Remove the [hard-drive assembly](#).
3. Disconnect the chassis intrusion-switch cable from the system board.

4. Slide the chassis intrusion switch out of its slot in the metal bracket, and push it down to remove it from the computer.

Replacing the Chassis Intrusion Switch

To replace the chassis intrusion switch, perform the above steps in reverse order.

[Back to Contents Page](#)

[Back to Contents Page](#)

Internal Speaker

Dell™ OptiPlex™ XE Service Manual—Small Form Factor

WARNING: Before working inside your computer, read the safety information that shipped with your computer. For additional safety best practices information, see the Regulatory Compliance Homepage at www.dell.com/regulatory_compliance.

Removing the Internal Speaker



NOTE: You may need to install Adobe® Flash® Player from Adobe.com in order to view the illustrations below.

1. Follow the procedures in [Before Working Inside Your Computer](#).
2. Disconnect the internal-speaker cable from the system board and release it from the routing guides on the chassis.
3. Press in on the locking tab and slide the internal speaker upward to remove it from the computer.

Replacing the Internal Speaker

To replace the internal speaker, perform the above steps in reverse order.

[Back to Contents Page](#)

[Back to Contents Page](#)

I/O Panel

Dell™ OptiPlex™ XE Service Manual—Small Form Factor

WARNING: Before working inside your computer, read the safety information that shipped with your computer. For additional safety best practices information, see the Regulatory Compliance Homepage at www.dell.com/regulatory_compliance.

Removing the I/O Panel



NOTE: You may need to install Adobe® Flash® Player from Adobe.com in order to view the illustrations below.

1. Follow the procedures in [Before Working Inside Your Computer](#).
2. Remove the [front panel](#).
3. Remove the [optical drive](#).
4. Remove the [hard drive](#).
5. Remove the [back thermal sensor](#).
6. Disconnect the I/O panel cable from its connector on the system board.

7. Remove the screws that secure the I/O panel to the chassis.

8. Remove the I/O panel from the computer.

Replacing the I/O Panel

To replace the I/O panel, perform the above steps in reverse order.

[Back to Contents Page](#)

[Back to Contents Page](#)

Memory

Dell™ OptiPlex™ XE Service Manual—Small Form Factor

WARNING: Before working inside your computer, read the safety information that shipped with your computer. For additional safety best practices information, see the Regulatory Compliance Homepage at www.dell.com/regulatory_compliance.

Removing the Memory



NOTE: You may need to install Adobe® Flash® Player from Adobe.com in order to view the illustrations below.

1. Follow the procedures in [Before Working Inside Your Computer](#).
2. Remove the [optical drive](#).
3. Remove the [hard drive assembly](#).
4. Press down on the memory retention clips to release the memory module.

5. Lift the memory module out of its connector and remove it from the computer.

Replacing the Memory

To replace the memory module, perform the above steps in reverse order.

[Back to Contents Page](#)

[Back to Contents Page](#)

Optical Drive

Dell™ OptiPlex™ XE Service Manual—Small Form Factor

WARNING: Before working inside your computer, read the safety information that shipped with your computer. For additional safety best practices information, see the Regulatory Compliance Homepage at www.dell.com/regulatory_compliance.

Removing the Optical Drive



NOTE: You may need to install Adobe® Flash® Player from Adobe.com in order to view the illustrations below.

1. Follow the procedures in [Before Working Inside Your Computer](#).
2. Disconnect the power and data cables from the optical drive.
3. Push down on the drive release latch to release the optical drive from the computer.
4. Slide the optical drive toward the back of the computer and lift up to remove it from the computer.

Replacing the Optical Drive

To replace the optical drive, perform the above steps in reverse order.

[Back to Contents Page](#)

[Back to Contents Page](#)

Power Supply

Dell™ OptiPlex™ XE Service Manual—Small Form Factor

WARNING: Before working inside your computer, read the safety information that shipped with your computer. For additional safety best practices information, see the Regulatory Compliance Homepage at www.dell.com/regulatory_compliance.

Removing the Power Supply



NOTE: You may need to install Adobe® Flash® Player from Adobe.com in order to view the illustrations below.

1. Follow the procedures in [Before Working Inside Your Computer](#).
2. Remove the [optical drive](#).
3. Remove the [hard drive](#).
4. Remove the [back thermal sensor](#).
5. Remove the [fan](#).
6. Disconnect the power cables from the system board.

7. Pull up the power supply release latch and slide the power supply toward the front of the computer.

8. Remove the power supply from the computer.

Replacing the Power Supply

To replace the power supply, perform the above steps in reverse order.

[Back to Contents Page](#)

[Back to Contents Page](#)

System Board

Dell™ OptiPlex™ XE Service Manual—Small Form Factor

WARNING: Before working inside your computer, read the safety information that shipped with your computer. For additional safety best practices information, see the Regulatory Compliance Homepage at www.dell.com/regulatory_compliance.

Removing the System Board



NOTE: You may need to install Adobe® Flash® Player from Adobe.com in order to view the illustrations below.

1. Follow the procedures in [Before Working Inside Your Computer](#).
2. Remove the [optical drive](#).
3. Remove the [hard drive](#).
4. Remove the [expansion card\(s\)](#).
5. Remove the [memory module\(s\)](#).
6. Remove the [heat sink and processor](#).
7. Remove the [power supply](#).
8. Disconnect any cables still attached to the system board.

9. Remove the screws that secure the system board to the chassis.

10. Lift the system board up and away from the chassis.

Replacing the System Board

To replace the system board, perform the above steps in reverse order.

[Back to Contents Page](#)

[Back to Contents Page](#)

Thermal Sensor

Dell™ OptiPlex™ XE Service Manual—Small Form Factor

WARNING: Before working inside your computer, read the safety information that shipped with your computer. For additional safety best practices information, see the Regulatory Compliance Homepage at www.dell.com/regulatory_compliance.

- [Removing the Front Thermal Sensor](#)
 - [Replacing the Front Thermal Sensor](#)
 - [Removing the Back Thermal Sensor](#)
 - [Replacing the Back Thermal Sensor](#)
-

Removing the Front Thermal Sensor



NOTE: You may need to install Adobe® Flash® Player from Adobe.com in order to view the illustrations below.

1. Follow the procedures in [Before Working Inside Your Computer](#).
2. Remove the [hard drive assembly](#).
3. Disconnect the front thermal sensor cable from the system board.

4. Release the front thermal sensor cable from its routing guide on the chassis.

5. Press in on the release latch and remove the front thermal sensor from the computer.

Replacing the Front Thermal Sensor

To replace the front thermal sensor, perform the above steps in reverse order.

Removing the Back Thermal Sensor



NOTE: You may need to install Adobe® Flash® Player from Adobe.com in order to view the illustrations below.

1. Follow the procedures in [Before Working Inside Your Computer](#).
2. Remove the [hard drive assembly](#).
3. Disconnect the back thermal sensor cable from the system board.

4. Press in on the release latch to release the back thermal sensor from the chassis.

5. Remove the back thermal sensor from the computer.

Replacing the Back Thermal Sensor

To replace the back thermal sensor, perform the above steps in reverse order.

[Back to Contents Page](#)

Working on Your Computer

Dell™ OptiPlex™ XE Service Manual—Small Form Factor

- [Before Working Inside Your Computer](#)
 - [Recommended Tools](#)
 - [Turning Off Your Computer](#)
 - [After Working Inside Your Computer](#)
-

Before Working Inside Your Computer

Use the following safety guidelines to help protect your computer from potential damage and to help to ensure your personal safety. Unless otherwise noted, each procedure included in this document assumes that the following conditions exist:

- 1 You have performed the steps in [Working on Your Computer](#).
- 1 You have read the safety information that shipped with your computer.
- 1 A component can be replaced or—if purchased separately—installed by performing the removal procedure in reverse order.

- ⚠ **WARNING:** Before working inside your computer, read the safety information that shipped with your computer. For additional safety best practices information, see the Regulatory Compliance Homepage at www.dell.com/regulatory_compliance.
- ⚠ **CAUTION:** Many repairs may only be done by a certified service technician. You should only perform troubleshooting and simple repairs as authorized in your product documentation, or as directed by the online or telephone service and support team. Damage due to servicing that is not authorized by Dell is not covered by your warranty. Read and follow the safety instructions that came with the product.
- ⚠ **CAUTION:** To avoid electrostatic discharge, ground yourself by using a wrist grounding strap or by periodically touching an unpainted metal surface, such as a connector on the back of the computer.
- ⚠ **CAUTION:** Handle components and cards with care. Do not touch the components or contacts on a card. Hold a card by its edges or by its metal mounting bracket. Hold a component such as a processor by its edges, not by its pins.
- ⚠ **CAUTION:** When you disconnect a cable, pull on its connector or on its pull-tab, not on the cable itself. Some cables have connectors with locking tabs; if you are disconnecting this type of cable, press in on the locking tabs before you disconnect the cable. As you pull connectors apart, keep them evenly aligned to avoid bending any connector pins. Also, before you connect a cable, ensure that both connectors are correctly oriented and aligned.
- 📌 **NOTE:** The color of your computer and certain components may appear differently than shown in this document.

To avoid damaging your computer, perform the following steps before you begin working inside the computer.

- 1. Ensure that your work surface is flat and clean to prevent the computer cover from being scratched.
- 2. Turn off your computer (see [Turning Off Your Computer](#)).

- ⚠ **CAUTION:** To disconnect a network cable, first unplug the cable from your computer and then unplug the cable from the network device.

- 3. Disconnect all network cables from the computer.
- 4. Disconnect your computer and all attached devices from their electrical outlets.
- 5. Press and hold the power button while the system is unplugged to ground the system board.
- 6. Remove the computer cover (see [Cover](#)).

- ⚠ **CAUTION:** Before touching anything inside your computer, ground yourself by touching an unpainted metal surface, such as the metal at the back of the computer. While you work, periodically touch an unpainted metal surface to dissipate static electricity, which could harm internal components.

Recommended Tools

The procedures in this document may require the following tools:


- 1 Small flat-blade screwdriver
- 1 Phillips screwdriver
- 1 Small plastic scribe
- 1 Flash BIOS update program CD

Turning Off Your Computer

- ⚠ **CAUTION:** To avoid losing data, save and close all open files and exit all open programs before you turn off your computer.

- 1. Shut down the operating system:

- 1 In Windows Vista®:

Click **Start** , then click the arrow in the lower-right corner of the **Start** menu as shown below, and then click **Shut Down**.



- 1 In Windows® XP:

Click **Start**→ **Turn Off Computer**→ **Turn Off**.


The computer turns off after the operating system shutdown process is complete.

2. Ensure that the computer and all attached devices are turned off. If your computer and attached devices did not automatically turn off when you shut down your operating system, press and hold the power button for about 6 seconds to turn them off.

After Working Inside Your Computer

After you complete any replacement procedure, ensure you connect any external devices, cards, and cables before turning on your computer.

1. Replace the computer cover (see [Cover](#)).

 **CAUTION:** To connect a network cable, first plug the cable into the network device and then plug it into the computer.

2. Connect any telephone or network cables to your computer.
3. Connect your computer and all attached devices to their electrical outlets.
4. Turn on your computer.
5. Verify that the computer works correctly by running the Dell Diagnostics. See [Dell Diagnostics](#).

[Back to Contents Page](#)