

Dell™ OptiPlex™ SX280

Quick Reference Guide

Model DCTR

www.dell.com | support.dell.com

Notes, Notices, and Cautions



NOTE: A NOTE indicates important information that helps you make better use of your computer.



NOTICE: A NOTICE indicates either potential damage to hardware or loss of data and tells you how to avoid the problem.



CAUTION: A CAUTION indicates a potential for property damage, personal injury, or death.

If you purchased a Dell™ n Series computer, any references in this document to Microsoft® Windows® operating systems are not applicable.

Information in this document is subject to change without notice.

© 2004 Dell Inc. All rights reserved.

Reproduction in any manner whatsoever without the written permission of Dell Inc. is strictly forbidden.

Trademarks used in this text: *Dell*, *OptiPlex*, and the *DELL* logo are trademarks of Dell Inc.; *Microsoft* and *Windows* are registered trademarks of Microsoft Corporation.

Other trademarks and trade names may be used in this document to refer to either the entities claiming the marks and names or their products. Dell Inc. disclaims any proprietary interest in trademarks and trade names other than its own.



Model DCTR

April 2004 P/N X2955 Rev. A00

Contents

Finding Information	5
About Your Computer	8
Front View	8
Side View	8
Back View	9
Cable Cover and Power Adapter	9
Setting Up Your Computer	10
Determining Placement and Orientation of the Computer	10
Installing a Device in the Module Bay	11
Connecting External Devices	12
Installing a Hard Drive	15
Attaching the Optional Cable Cover	16
Inside Your Computer	16
Removing the Computer Cover	16
Inside View	17
Replacing the Computer Cover	18
Solving Problems	18
Dell Diagnostics	19
Power Supply Light	22
System Lights	22
Diagnostic Lights	23
Beep Codes	26
Running the Dell™ IDE Hard Drive Diagnostics	27
Resolving Software and Hardware Incompatibilities	27
Using Microsoft® Windows® XP System Restore	28
Reinstalling Microsoft® Windows® XP	29
Using the Drivers and Utilities CD	32
Index	33

Finding Information

What Are You Looking For?	Find It Here
<ul style="list-style-type: none">• A diagnostic program for my computer• Drivers for my computer• My computer documentation• My device documentation• Desktop System Software (DSS)	<p>Drivers and Utilities CD (also known as the ResourceCD)</p> <p>Documentation and drivers are already installed on your computer. You can use the CD to reinstall drivers, run the Dell Diagnostics, or access your documentation.</p>  <p>Readme files may be included on your CD to provide last-minute updates about technical changes to your computer or advanced technical-reference material for technicians or experienced users.</p> <p>NOTE: The latest drivers and documentation updates can be found at support.dell.com.</p>
<ul style="list-style-type: none">• OS updates and patches	<p>Desktop System Software (DSS)</p> <p>Located on the <i>Drivers and Utilities</i> CD and at support.dell.com.</p>
<ul style="list-style-type: none">• Warranty information• Safety instructions• Regulatory information• Ergonomics information• End User License Agreement	<p>Dell™ Product Information Guide</p>  <p>NOTE: This document is available as a PDF at support.dell.com.</p>
<ul style="list-style-type: none">• How to remove and replace parts• Technical specifications• How to configure system settings• How to troubleshoot and solve problems	<p>Dell OptiPlex™ User's Guide</p> <p>Microsoft® Windows® XP Help and Support Center</p> <ol style="list-style-type: none">1 Click the Start button and click Help and Support.2 Click User's and system guides and click User's guides. <p>The <i>User's Guide</i> is also available on the <i>Drivers and Utilities</i> CD.</p>

What Are You Looking For?

- Service Tag and Express Service Code
- Microsoft Windows License Label

Find It Here**Service Tag and Microsoft Windows License**

These labels are located on your computer.

- Use the Service Tag to identify your computer when you use support.dell.com or contact technical support.



- Enter the Express Service Code to direct your call when contacting technical support. The Express Service Code is not available in all countries.

-
- Latest drivers for my computer
 - Answers to technical service and support questions
 - Online discussions with other users and technical support
 - Documentation for my computer

Dell Support Website — support.dell.com

NOTE: Select your region to view the appropriate support site.


The Dell Support website provides several online tools, including:

- Solutions — Troubleshooting hints and tips, articles from technicians, and online courses
- Community — Online discussion with other Dell customers
- Upgrades — Upgrade information for components, such as memory, the hard drive, and the operating system
- Customer Care — Contact information, order status, warranty, and repair information
- Downloads — Drivers, patches, and software updates
- Reference — Computer documentation, product specifications, and white papers

-
- Service call status and support history
 - Top technical issues for my computer
 - Frequently asked questions
 - File downloads
 - Details on my computer configuration
 - Service contract for my computer

Dell Premier Support Website — premiersupport.dell.com

The Dell Premier Support website is customized for corporate, government, and education customers. This website may not be available in all regions.

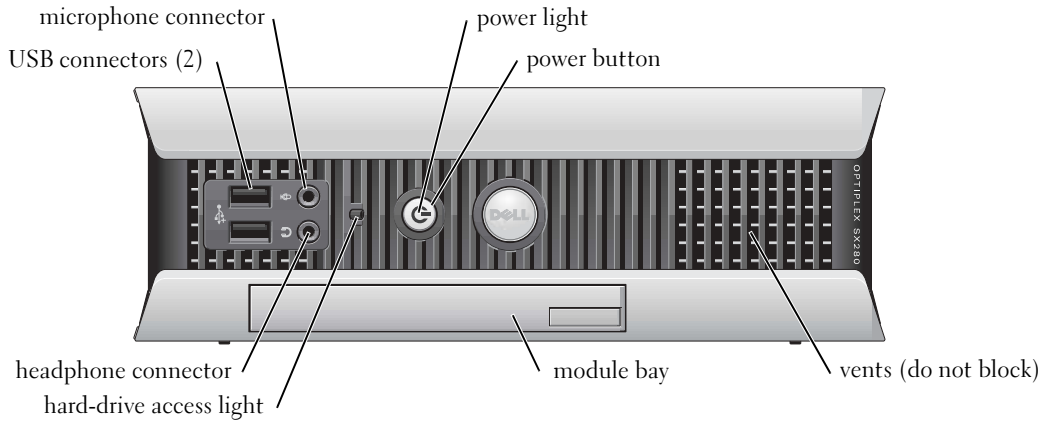
What Are You Looking For?	Find It Here
<ul style="list-style-type: none"> • How to use Windows XP • Documentation for my computer • Documentation for devices (such as a modem) 	<p>Windows Help and Support Center</p> <ol style="list-style-type: none"> 1 Click the Start button and click Help and Support. 2 Type a word or phrase that describes your problem and click the arrow icon. 3 Click the topic that describes your problem. 4 Follow the instructions on the screen.
<ul style="list-style-type: none"> • How to reinstall my operating system 	<p>Operating System CD</p> <p>The operating system is already installed on your computer. To reinstall your operating system, use the <i>Operating System CD</i>. See your <i>OptiPlex User's Guide</i> for instructions.</p> <div style="display: flex; align-items: center;">  <div style="flex: 1;"> <p>After you reinstall your operating system, use the <i>Drivers and Utilities CD</i> to reinstall drivers for the devices that came with your computer.</p> <p>Your operating system product key is located on your Windows License label attached to your computer.</p> </div> </div> <p>NOTE: The color of your CD varies based on the operating system you ordered.</p>
<ul style="list-style-type: none"> • Regulatory Model Number • Chassis Type 	<p>DCTR</p> <p>Ultra-Small Form-Factor (USFF) chassis</p>

About Your Computer

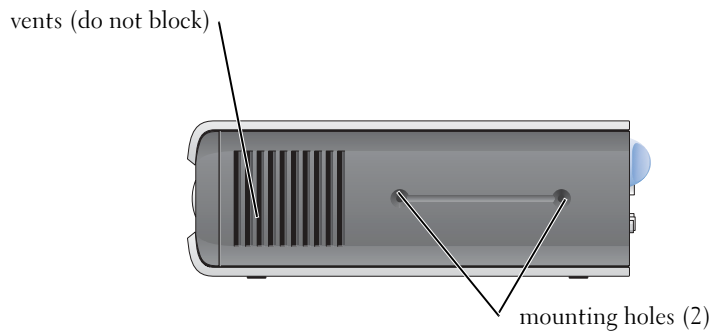
NOTE: If you want to orient your computer under a desk top or on a wall surface, use the optional wall-mount bracket. To order the bracket, contact Dell. For information on contacting Dell, see your online *User's Guide*.

NOTE: To ensure proper ventilation, do not block the cooling vents.

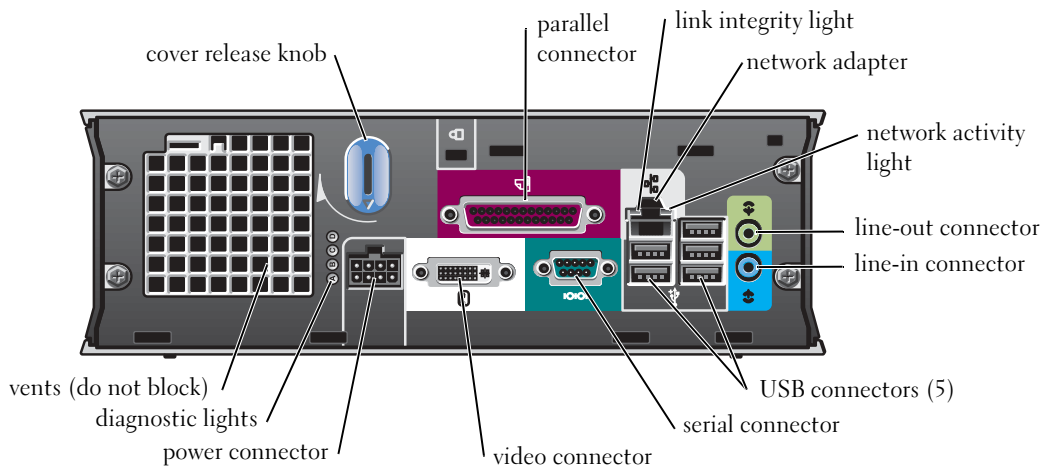
Front View



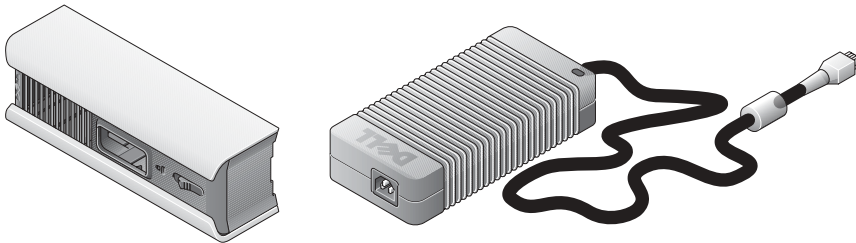
Side View






Back View



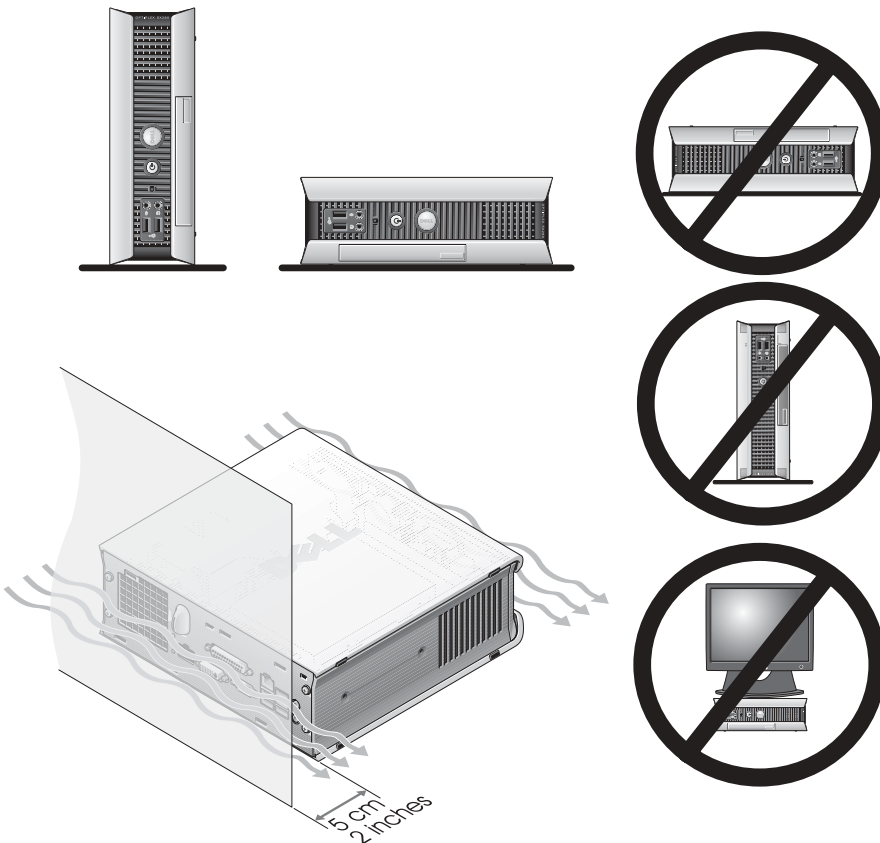
Cable Cover and Power Adapter





Setting Up Your Computer

-  **NOTICE:** When setting up your computer, secure all cables toward the back of your work area to prevent the cables from being pulled, tangled, or stepped on.
-  **NOTICE:** To prevent the computer from overheating and shutting down, do not place the computer in a poorly ventilated area.
-  **NOTE:** If you have ordered a computer without a hard drive, you can install a drive by using the drive rails that are included inside your computer (see "Installing a Hard Drive" on page 15).

Determining Placement and Orientation of the Computer



-  **NOTICE:** Do not place your monitor on top of the computer. Use a monitor stand.
-  **NOTICE:** Do not position your computer upside down.

NOTICE: In a high-vibration environment or when installing the computer under a surface or on a wall, use the optional wall-mount bracket. To order the bracket, contact Dell. For information on contacting Dell, see your online *User's Guide*.

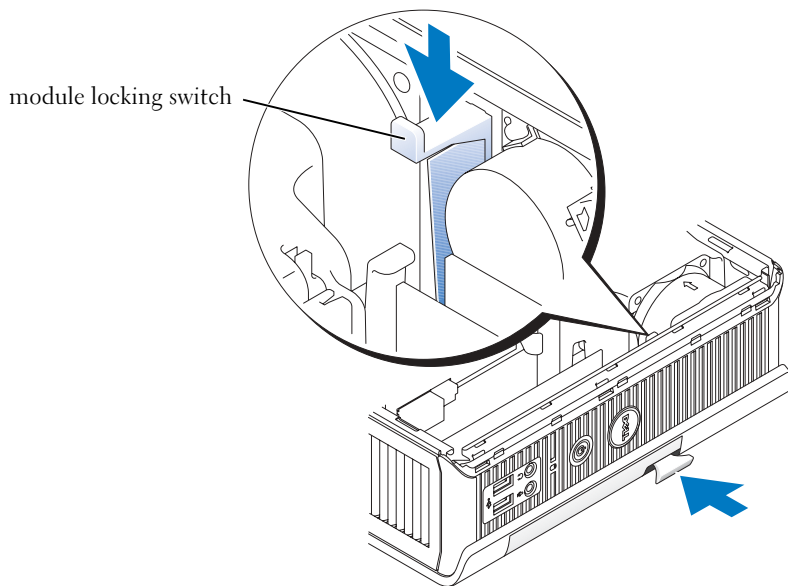
NOTE: To ensure proper ventilation, place the computer at least 5 cm (2 inches) from a vertical surface. Do not place the computer in an enclosed environment without ventilation.

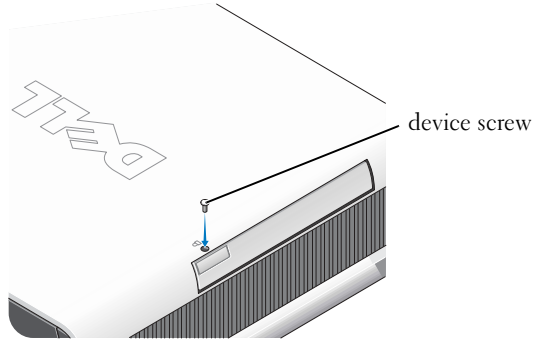
Installing a Device in the Module Bay

You can install a Dell™ portable device such as a floppy drive, CD/DVD drive, or second hard drive in the module bay. Your Dell computer ships with either a CD/DVD drive or an airbay (filler blank) installed in the module bay.

As a security feature, your computer is equipped with a module locking switch to secure a device in the module bay. To access the switch, remove the computer cover (see "Removing the Computer Cover" on page 16).

For added security, you may also secure a device in the module bay by using the device screw that ships with your computer (packaged separately).





Connecting External Devices



CAUTION: Before performing any of the procedures in this section, follow the safety instructions in the *Product Information Guide*.

You must complete all steps to properly set up your computer. See the appropriate figures that follow the instructions.

- 1 Use the USB connectors on the back of your computer to connect the keyboard and mouse.
- 2 Connect the modem or network cable.



NOTICE: To connect a network cable, first plug the cable in to the network wall jack, and then in to the computer.

Insert the network cable, not the phone line, into the network connector. If you have an optional modem, connect the phone line to the modem.



NOTICE: Do not connect a modem cable to the network adapter. Voltage from telephone communications can cause damage to the network adapter.

- 3 Connect the monitor.

Align and gently insert the monitor cable to avoid bending connector pins. Tighten the thumbscrews on the cable connectors.





NOTE: Some monitors have the video connector underneath the back of the screen. See the documentation that came with your monitor for its connector locations.

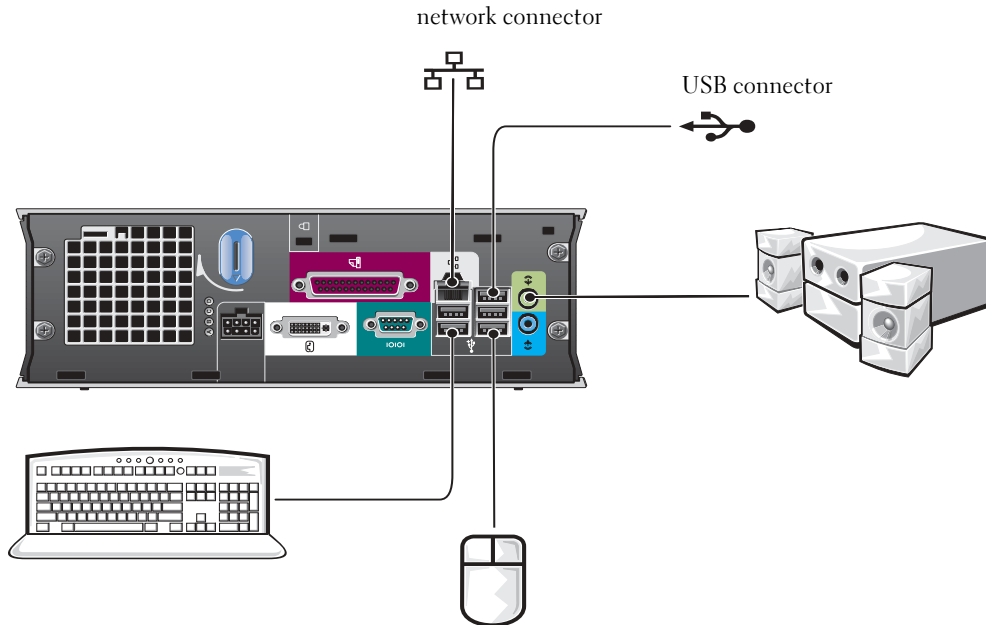
- 4 Connect the speakers.

5 Connect power cables to the computer, monitor, and devices and insert the other ends of the power cables to electrical outlets.

6 Press the power buttons to turn on the computer and monitor.

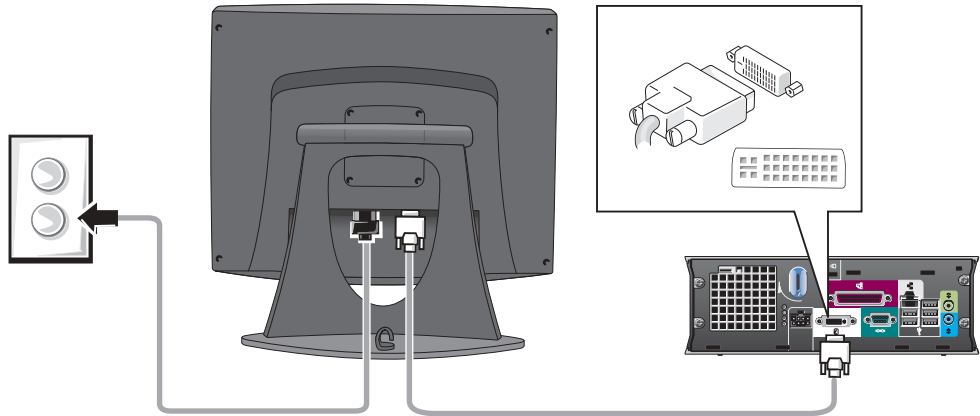
 **NOTE:** Before you install any devices or software that did not ship with your computer, read the documentation that came with the software or device, or contact the vendor to verify that the software or device is compatible with your computer and operating system.

 **NOTE:** Your computer may vary slightly from the following setup figures.



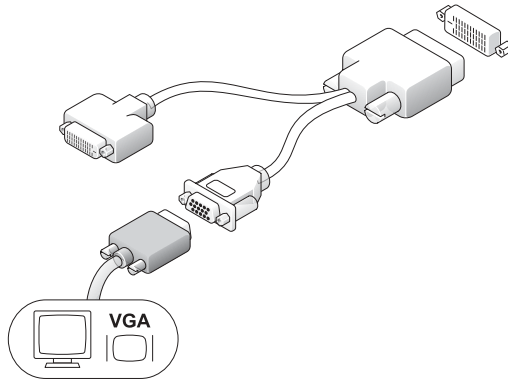
Connecting a DVI Monitor

If you have a DVI-compatible monitor, plug the cable from your monitor in to the white DVI display-connector on the computer back panel.



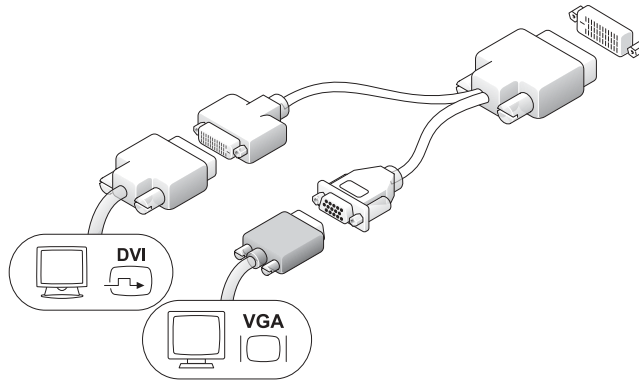
Connecting a VGA Monitor

If you have a VGA-compatible monitor, use the adapter cable to connect the cable from your monitor to the white DVI display-connector on the computer back panel.



Connecting Two Monitors

Use the adapter cable to connect both a VGA monitor and a DVI monitor to the white DVI display-connector on the computer back panel.



Installing a Hard Drive

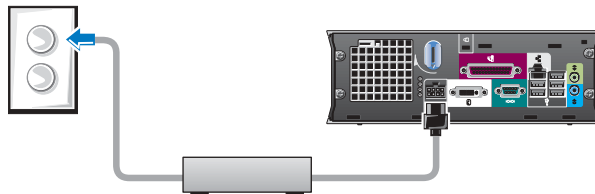
CAUTION: Before you begin any of the procedures in this section, follow the safety instructions in the *Product Information Guide*.

- 1 If you are installing a new drive, attach the drive rails—located inside the cover—to the new drive.
- 2 Attach the data and power cables to the hard drive connectors, being careful not to bend any of the pins.
- 3 Slide the hard drive into the bracket.

Connecting the AC Adapter

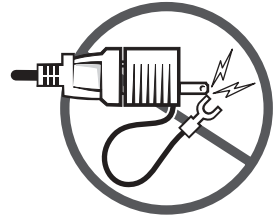
CAUTION: Before you begin any of the procedures in this section, follow the safety instructions in the *Product Information Guide*.

- 1 Connect the power adapter to the connector on the back of the computer. In order for the connection to be secure, verify that the latch engages completely. (An audible click will be heard or felt.)
- 2 Connect a power cable to the power adapter.
- 3 If your computer power-cable connector has a grounding wire, and you decide to connect it, continue with step 4. If you decide otherwise, go to step 5.

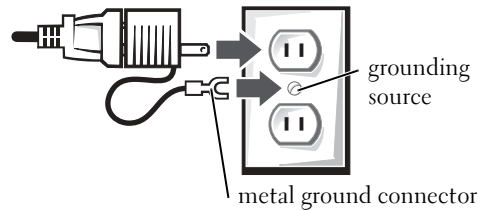


⚠ CAUTION: If your power cord or adapter provides a green ground wire for connection to an electrical outlet, *do not permit* contact between the green ground wire and power leads because electrical shock, fire, or damage to your computer can occur (see the following figure).

- 4 Connect the metal ground connector to the grounding source on the outlet (see the following figure):
 - a Loosen the grounding source.
 - b Slide the metal ground connector behind the grounding source, and then tighten the grounding source.

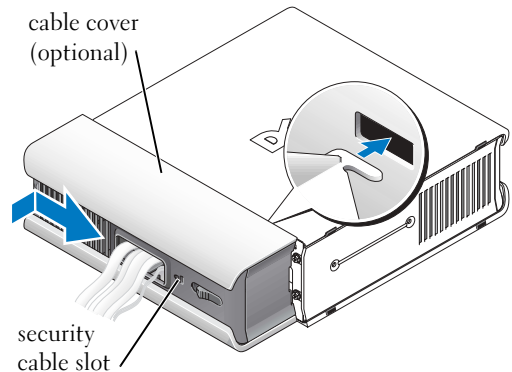


- 5 Connect the AC power cable to the outlet.



Attaching the Optional Cable Cover

- 1 Ensure that all external device cables are threaded through the hole in the cable cover and connected to the computer back panel.
- 2 Hold the bottom of the cable cover and align the four tabs with the four slots on the computer back panel.
- 3 Insert the tabs into the slots and slide the cable cover toward the diagnostic lights (see the figure) until the cable cover is securely positioned.
- 4 Install a security device in the security cable slot (optional).



Inside Your Computer

Removing the Computer Cover

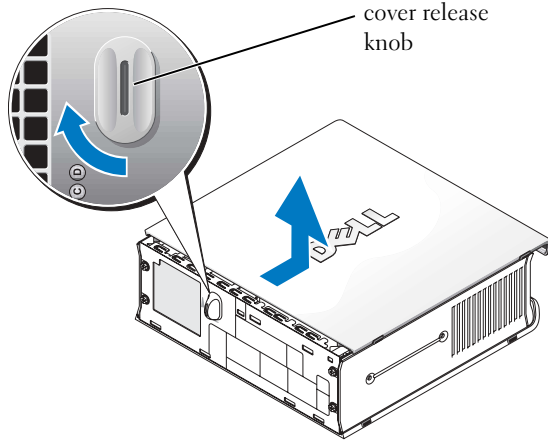
⚠ CAUTION: Before you begin any of the procedures in this section, follow the safety instructions in the *Product Information Guide*.

⚠ CAUTION: To avoid electrical shock, always unplug your computer from the power adapter before removing the cover.

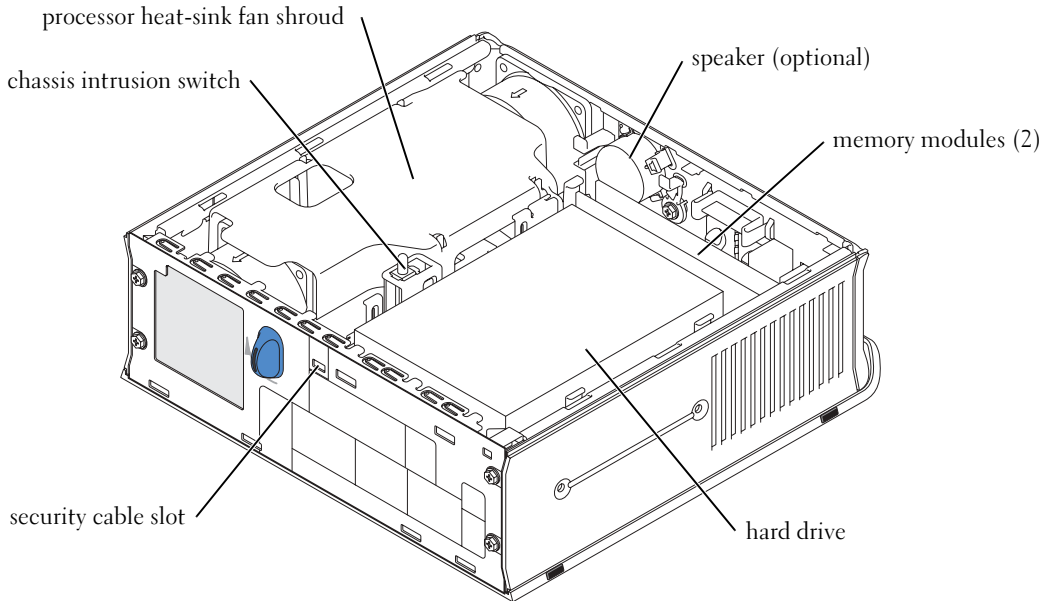


CAUTION: To prevent static damage to components inside your computer, discharge static electricity from your body before you touch any of your computer's electronic components. You can do so by touching an unpainted metal surface on the computer chassis.

- 1 Remove the computer cover.
 - a Rotate the cover release knob in a clockwise direction, as shown in the figure.
 - b Slide the computer cover forward 1 cm (0.5 inch), or until it stops, and then raise the cover.



Inside View



Replacing the Computer Cover



CAUTION: Before you begin any of the procedures in this section, follow the safety instructions in the *Product Information Guide*.

- 1 Replace the cover:
 - a Lower and align the cover with the metal computer frame.
 - b Slide the cover until you hear or feel it click into place.
- 2 Connect your computer to its power adapter and connect devices to electrical outlets, and turn them on.

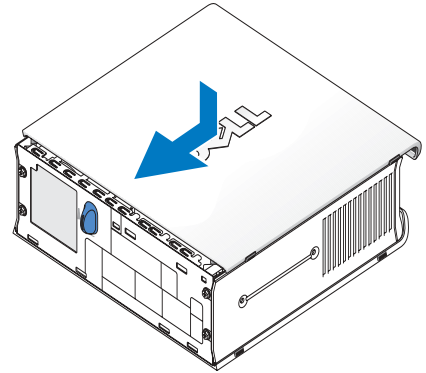
If the chassis intrusion detector is set to **On**, the following message appears on the screen after the next computer start-up:

ALERT! Cover was previously removed.

- 3 Clear the chassis intrusion status by entering system setup and selecting **Clear** under the **Intrusion Status** option. For information on the chassis intrusion detector, see your online *User's Guide*.



NOTE: If an admin password has been assigned by someone else, contact your network administrator for information on resetting the chassis intrusion detector.



Solving Problems

Dell provides a number of tools to help you if your computer does not perform as expected. For the latest troubleshooting information available for your computer, see the Dell Support website at support.dell.com.

If computer problems occur that require help from Dell, write a detailed description of the error, beep codes, or diagnostics light patterns; record your Express Service Code and Service Tag below; and then contact Dell from the same location as your computer.

See "Finding Information" on page 5 for an example of the express service code and Service Tag.

Express Service Code: _____

Service Tag: _____

Dell Diagnostics



CAUTION: Before you begin any of the procedures in this section, follow the safety instructions located in the *Product Information Guide*.

When to Use the Dell Diagnostics

If you experience a problem with your computer, perform the checks in "Setting Up Your Computer" on page 10 and run the Dell Diagnostics before you contact Dell for technical assistance.



NOTICE: The Dell Diagnostics works only on Dell™ computers.

Enter system setup, review your computer's configuration information, and ensure that the device you want to test is displayed in system setup and is active. For information on system setup, see your online *User's Guide*.

Start the Dell Diagnostics from either your hard drive (see "Starting the Dell Diagnostics From Your Hard Drive" on page 19) or from the *Drivers and Utilities* CD (also known as the ResourceCD—see "Starting the Dell Diagnostics From the Drivers and Utilities CD" on page 19).

Starting the Dell Diagnostics From Your Hard Drive

- 1 Turn on (or restart) your computer.
- 2 When the DELL™ logo appears, press <F12> immediately.



NOTE: If you see a message stating that no diagnostics utility partition has been found, see "Starting the Dell Diagnostics From the Drivers and Utilities CD" on page 19.

If you wait too long and the operating system logo appears, continue to wait until you see the Microsoft® Windows® desktop. Then shut down your computer and try again. For information on shutting down your computer, see your online *User's Guide*.

- 3 When the boot device list appears, highlight **Boot to Utility Partition** and press <Enter>.
- 4 When the Dell Diagnostics **Main Menu** appears, select the test you want to run (see page 20).

Starting the Dell Diagnostics From the Drivers and Utilities CD

- 1 Insert the *Drivers and Utilities* CD.
- 2 Shut down and restart the computer.

When the DELL logo appears, press <F12> immediately.

If you wait too long and the Windows logo appears, continue to wait until you see the Windows desktop. Then shut down your computer and try again.



NOTE: The next steps change the boot sequence for one time only. On the next start-up, the computer boots according to the devices specified in system setup.

- 3 When the boot device list appears, highlight **Onboard or USB CD-ROM** and press <Enter>.
- 4 Select **Onboard or USB CD-ROM Device** from the CD boot menu.
- 5 Select the **Boot from CD-ROM** option from the menu that appears.
- 6 Type 1 to start the ResourceCD menu.
- 7 Type 2 to start the Dell Diagnostics.
- 8 Select **Run the 32 Bit Dell Diagnostics** from the numbered list. If multiple versions are listed, select the version appropriate for your computer.
- 9 When the Dell Diagnostics **Main Menu** appears, select the test you want to run (see page 20).


Dell Diagnostics Main Menu

- 1 After the Dell Diagnostics loads and the **Main Menu** screen appears, click the button for the option you want.

Option	Function
Express Test	Performs a quick test of devices. This test typically takes 10 to 20 minutes and requires no interaction on your part. Run Express Test first to increase the possibility of tracing the problem quickly.
Extended Test	Performs a thorough check of devices. This test typically takes 1 hour or more and requires you to answer questions periodically.
Custom Test	Tests a specific device. You can customize the tests you want to run.
Symptom Tree	Lists the most common symptoms encountered and allows you to select a test based on the symptom of the problem you are having.

- 2 If a problem is encountered during a test, a message appears with an error code and a description of the problem. Write down the error code and problem description and follow the instructions on the screen.

If you cannot resolve the error condition, contact Dell.

 **NOTE:** The Service Tag for your computer is located at the top of each test screen. If you contact Dell, technical support will ask for your Service Tag.

- 3 If you run a test from the **Custom Test** or **Symptom Tree** option, click the applicable tab described in the following table for more information.

Tab	Function
Results	Displays the results of the test and any error conditions encountered.
Errors	Displays error conditions encountered, error codes, and the problem description.

Tab	Function
Help	Describes the test and may indicate requirements for running the test.
Configuration	Displays your hardware configuration for the selected device. The Dell Diagnostics obtains configuration information for all devices from system setup, memory, and various internal tests, and it displays the information in the device list in the left pane of the screen. The device list may not display the names of all the components installed on your computer or all devices attached to your computer.
Parameters	Allows you to customize the test by changing the test settings.

- 4** When the tests are completed, if you are running the Dell Diagnostics from the *Drivers and Utilities* CD, remove the CD.
- 5** Close the test screen to return to the **Main Menu** screen. To exit the Dell Diagnostics and restart the computer, close the **Main Menu** screen.

Power Supply Light

Light State	PSU State	Description	Troubleshooting
Off	No AC, or a fault condition occurred	Indicates that the power supply is not receiving power from an electrical outlet, OR that the power supply shut down due to a fault condition.	<p>Ensure that the electrical outlet is working by testing it with another device, such as a lamp.</p> <p>Verify that the AC power cable connection is properly seated in the power supply. If necessary, reseal the AC cable connection at the power supply.</p> <p>Disconnect the AC power cable from the power supply and the DC cable from the computer for at least 10 seconds. Reattach the AC power cable to the power supply. The light on the power supply should turn yellow. Reattach the DC cable to the computer. The light on the power supply should turn green.</p>
Yellow	AC present/no load	Indicates that the power supply is attached to working electrical outlet but not connected to the computer.	Verify that the power supply is completely plugged in to the computer and the retention latch is engaged. Reseat the connection if necessary.
Green	AC present/power to load	Indicates that the power supply is receiving power from the electrical outlet and is properly connected to the computer.	Check the power button light and see "System Lights" on page 22.

System Lights

Your power button light and hard-drive light may indicate a computer problem.

Power Light	Problem Description	Suggested Resolution
Solid green power light and no beep code but the computer locks up during POST	An integrated system board device may be faulty.	Check "Diagnostic Lights" on page 23 to see if the specific problem is identified. If the problem is not identified, contact Dell for technical assistance.


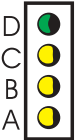
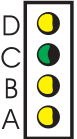
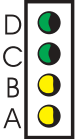
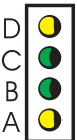
Power Light	Problem Description	Suggested Resolution
Solid green power light and no beep code and no video during POST	The monitor may be faulty or incorrectly installed.	Check "Diagnostic Lights" on page 23 to see if the specific problem is identified.
Solid green and a beep code during POST	A problem was detected while the BIOS was executing.	See "Running the Dell™ IDE Hard Drive Diagnostics" on page 27 for instructions on diagnosing the beep code. Also, check the diagnostic lights to see if the specific problem is identified.
Solid yellow	The Dell Diagnostics is running a test, or a device on the system board may be faulty or incorrectly installed.	If the Dell Diagnostics is running, allow the testing to complete. Check "Diagnostic Lights" on page 23 to see if the specific problem is identified. If the computer does not boot, contact Dell for technical assistance.
Blinks green several times and then turns off	A configuration error exists.	Check "Diagnostic Lights" on page 23 to see if the specific problem is identified.
Blinking green	The computer is in the suspended state (Microsoft® Windows® 2000 and Windows XP).	Press the power button to wake the computer.
Solid green	Power is on, and the computer is operating normally.	No corrective action is required.



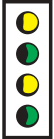


Diagnostic Lights



CAUTION: Before you begin any of the procedures in this section, follow the safety instructions located in the *Product Information Guide*.

To help you troubleshoot a problem, your computer has four lights labeled "A," "B," "C," and "D" on the back panel (see page 9). The lights can be yellow or green. When the computer starts normally, the patterns or codes on the lights change as the boot process completes. If the POST portion of system boot completes successfully, all four lights display solid green. If the computer malfunctions during the POST process, the pattern displayed on the lights may help identify where in the process the computer halted.

Light Pattern	Problem Description	Suggested Resolution
 <p>D C B A</p>	<p>off off off off</p> <p>The computer is in a normal off condition or a possible pre-BIOS failure has occurred.</p>	<p>Plug the computer into a working electrical outlet and press the power button.</p>
 <p>D C B A</p>	<p>green yellow yellow yellow</p> <p>A possible BIOS failure has occurred; the computer is in the recovery mode.</p>	<p>Run the BIOS Recovery utility, wait for recovery completion, and then restart the computer.</p>
 <p>D C B A</p>	<p>yellow green yellow yellow</p> <p>A possible processor failure has occurred.</p>	<p>Reinstall the processor and restart the computer. For information on reinstalling the processor, see your online <i>User's Guide</i>.</p>
 <p>D C B A</p>	<p>green green yellow yellow</p> <p>Memory modules are detected, but a memory failure has occurred.</p>	<ul style="list-style-type: none"> • If you have one memory module installed, reinstall it and restart the computer. For information on reinstalling the memory module, see your online <i>User's Guide</i>. • If you have two memory modules installed, remove the modules, reinstall one module, and then restart the computer. If the computer starts normally, reinstall an additional module. • If available, install properly working memory of the same type into your computer. • If the problem persists, contact Dell.
 <p>D C B A</p>	<p>yellow green green yellow</p> <p>A possible floppy or hard drive failure has occurred.</p>	<p>Reseat all power and data cables and restart the computer.</p>

Light Pattern	Problem Description	Suggested Resolution
	<p>green green green yellow</p> <p>A possible USB failure has occurred.</p>	<p>Reinstall all USB devices, check cable connections, and then restart the computer.</p>
	<p>yellow yellow yellow green</p> <p>No memory modules are detected.</p>	<ul style="list-style-type: none"> • If you have one memory module installed, reinstall it and restart the computer. For information on reinstalling the memory module, see your online <i>User's Guide</i>. • If you have two memory modules installed, remove the modules, reinstall one module, and then restart the computer. If the computer starts normally, reinstall an additional module. • If available, install properly working memory of the same type into your computer. • If the problem persists, contact Dell.
	<p>yellow green yellow green</p> <p>Memory modules are detected, but a memory configuration or compatibility error exists.</p>	<ul style="list-style-type: none"> • Ensure that no special memory module/memory connector placement requirements exist. For information on memory modules, see your online <i>User's Guide</i>. • Verify that the memory modules that you are installing are compatible with your computer. • If the problem persists, contact Dell.
	<p>yellow green green green</p> <p>An error occurred prior to boot.</p>	<ul style="list-style-type: none"> • Ensure that the cables are properly connected to the system board from the hard drive, CD drive, and DVD drive. • Check the computer message that appears on your monitor screen. • If the problem persists, contact Dell.
	<p>green green green green</p> <p>The computer is in a normal operating condition after POST.</p>	<p>None.</p>

Beep Codes

Your computer might emit a series of beeps during start-up if the monitor cannot display errors or problems. This series of beeps, called a beep code, identifies a problem. One possible beep code (code 1-3-1) consists of one beep, a burst of three beeps, and then one beep. This beep code tells you that the computer encountered a memory problem.

If your computer beeps during start-up:

- 1 Write down the beep code.
- 2 See "Dell Diagnostics" on page 19 to identify a more serious cause.
- 3 Contact Dell for technical assistance.

Code	Cause	Code	Cause
1-1-2	Microprocessor register failure	3-3-4	Video Memory Test failure
1-1-3	NVRAM read/write failure	3-4-1	Screen initialization failure
1-1-4	ROM BIOS checksum failure	3-4-2	Screen retrace failure
1-2-1	Programmable interval timer failure	3-4-3	Search for video ROM failure
1-2-2	DMA initialization failure	4-2-1	No timer tick
1-2-3	DMA page register read/write failure	4-2-2	Shutdown failure
1-3	Video Memory Test failure	4-2-3	Gate A20 failure
1-3-1 through 2-4-4	Memory not being properly identified or used	4-2-4	Unexpected interrupt in protected mode
3-1-1	Slave DMA register failure	4-3-1	Memory failure above address 0FFFFh
3-1-2	Master DMA register failure	4-3-3	Timer-chip counter 2 failure
3-1-3	Master interrupt mask register failure	4-3-4	Time-of-day clock stopped
3-1-4	Slave interrupt mask register failure	4-4-1	Serial or parallel port test failure
3-2-2	Interrupt vector loading failure	4-4-2	Failure to decompress code to shadowed memory
3-2-4	Keyboard Controller Test failure	4-4-3	Math-coprocessor test failure
3-3-1	NVRAM power loss	4-4-4	Cache test failure
3-3-2	Invalid NVRAM configuration		

Running the Dell™ IDE Hard Drive Diagnostics

The Dell IDE Hard Drive Diagnostics is a utility that tests the hard drive to troubleshoot or confirm a hard drive failure.

- 1 Turn on your computer (if your computer is already on, restart it).
- 2 When **F2 = Setup** appears in the upper-right corner of the screen, press <Ctrl><Alt><D>.
- 3 Follow the instructions on the screen.

If a failure is reported, see "Hard Drive Problems" in your *User's Guide*.

Resolving Software and Hardware Incompatibilities

If a device is either not detected during the operating system setup or is detected but incorrectly configured, you can use the Hardware Troubleshooter to resolve the incompatibility. In the Microsoft® Windows® 2000 operating system, you can also use Device Manager to resolve incompatibilities.

Windows XP

To resolve incompatibilities using the Hardware Troubleshooter:

- 1 Click the **Start** button and click **Help and Support**.
- 2 Type `hardware troubleshooter` in the **Search** field and click the arrow to start the search.
- 3 Click **Hardware Troubleshooter** in the **Search Results** list.
- 4 In the **Hardware Troubleshooter** list, click **I need to resolve a hardware conflict on my computer**, and click **Next**.

Windows 2000

To resolve incompatibilities using Device Manager:

- 1 Click the **Start** button, point to **Settings**, and then click **Control Panel**.
- 2 In the **Control Panel** window, double-click **System**.
- 3 Click the **Hardware** tab.
- 4 Click **Device Manager**.
- 5 Click **View** and click **Resources by connection**.
- 6 Double-click **Interrupt request (IRQ)**.

Incorrectly configured devices are indicated by a yellow exclamation point (!) or a red x if the device has been disabled.

- 7 Double-click any device marked with an exclamation point to display the **Properties** window. The **Device** status area in the **Properties** window reports the cards or devices that need to be reconfigured.

- 8 Reconfigure the devices or remove the devices from the Device Manager. See the documentation that came with the device for information on configuring the device.

To resolve incompatibilities using the Hardware Troubleshooter:

- 1 Click the **Start** button and click **Help**.
- 2 Click **Troubleshooting and Maintenance** on the **Contents** tab, click **Windows 2000 troubleshooters**, and then click **Hardware**.
- 3 In the **Hardware Troubleshooter** list, click **I need to resolve a hardware conflict on my computer** and click **Next**.

Using Microsoft® Windows® XP System Restore

The Microsoft® Windows® XP operating system provides System Restore to allow you to return your computer to an earlier operating state (without affecting data files) if changes to the hardware, software, or other system settings have left the computer in an undesirable operating state. See the Windows Help and Support Center for information on using System Restore.



NOTICE: Make regular backups of your data files. System Restore does not monitor your data files or recover them.

Creating a Restore Point

- 1 Click the **Start** button and click **Help and Support**.
- 2 Click **System Restore**.
- 3 Follow the instructions on the screen.

Restoring the Computer to an Earlier Operating State



NOTICE: Before you restore the computer to an earlier operating state, save and close any open files and exit any open programs. Do not alter, open, or delete any files or programs until the system restoration is complete.

- 1 Click the **Start** button, point to **All Programs** → **Accessories** → **System Tools**, and then click **System Restore**.
- 2 Ensure that **Restore my computer to an earlier time** is selected and click **Next**.
- 3 Click a calendar date to which you want to restore your computer.

The **Select a Restore Point** screen provides a calendar that allows you to see and select restore points. All calendar dates with available restore points appear in boldface type.

- 4 Select a restore point and click **Next**.

If a calendar date has only one restore point, then that restore point is automatically selected. If two or more restore points are available, click the restore point that you prefer.

- 5 Click **Next**.

The **Restoration Complete** screen appears after System Restore finishes collecting data and then the computer restarts.

- 6 After the computer restarts, click **OK**.

To change the restore point, you can either repeat the steps using a different restore point, or you can undo the restoration.

Undoing the Last System Restore



NOTICE: Before you undo the last system restore, save and close all open files and exit any open programs. Do not alter, open, or delete any files or programs until the system restoration is complete.

- 1 Click the **Start** button, point to **All Programs** → **Accessories** → **System Tools**, and then click **System Restore**.
- 2 Click **Undo my last restoration** and click **Next**.
- 3 Click **Next**.

The **System Restore** screen appears and the computer restarts.

- 4 After the computer restarts, click **OK**.

Enabling System Restore

If you reinstall Windows XP with less than 200 MB of free hard-disk space available, System Restore is automatically disabled. To see if System Restore is enabled:

- 1 Click the **Start** button and click **Control Panel**.
- 2 Click **System**.
- 3 Click the **System Restore** tab.
- 4 Ensure that **Turn off System Restore** is unchecked.

Reinstalling Microsoft® Windows® XP

Before You Begin


If you are considering reinstalling the Windows XP operating system to correct a problem with a newly installed driver, first try using Windows XP Device Driver Rollback. (For information on Device Driver Rollback, see your online *User's Guide*). If Device Driver Rollback does not resolve the problem, then use System Restore (see "Using Microsoft® Windows® XP System Restore" on page 28) to return your operating system to the operating state it was in before you installed the new device driver.



NOTICE: Before performing the installation, back up all data files on your primary hard drive. For conventional hard drive configurations, the primary hard drive is the first drive detected by the computer.

To reinstall Windows XP, you need the following items:

- Dell™ *Operating System* CD
- Dell *Drivers and Utilities* CD


 **NOTE:** The *Drivers and Utilities* CD contains drivers that were installed during assembly of the computer. Use the *Drivers and Utilities* CD to load any required drivers, including the drivers required if your computer has a RAID controller.


Reinstalling Windows XP

 **NOTICE:** You must use Windows XP Service Pack 1 or later when you reinstall Windows XP.

To reinstall Windows XP, perform all the steps in the following sections in the order in which they are listed.

The reinstallation process can take 1 to 2 hours to complete. After you reinstall the operating system, you must also reinstall the device drivers, virus protection program, and other software.

 **NOTICE:** The *Operating System* CD provides options for reinstalling Windows XP. The options can overwrite files and possibly affect programs installed on your hard drive. Therefore, do not reinstall Windows XP unless a Dell technical support representative instructs you to do so.

 **NOTICE:** To prevent conflicts with Windows XP, disable any virus protection software installed on your computer before you reinstall Windows XP. See the documentation that came with the software for instructions.

Booting From the Operating System CD

- 1 Save and close any open files and exit any open programs.
- 2 Insert the *Operating System* CD. Click **Exit** if **Install Windows XP** message appears.
- 3 Restart the computer.
- 4 Press <F12> immediately after the DELL™ logo appears.

If the operating system logo appears, wait until you see the Windows desktop, and then shut down the computer and try again.


- 5 Press the arrow keys to select **CD-ROM**, and press <Enter>.
- 6 When the **Press any key to boot from CD** message appears, press any key.


Windows XP Setup

- 1 When the **Windows XP Setup** screen appears, press <Enter> to select **To set up Windows now**.
- 2 Read the information on the **Microsoft Windows Licensing Agreement** screen, and press <F8> to accept the license agreement.
- 3 If your computer already has Windows XP installed and you want to recover your current Windows XP data, type *r* to select the repair option, and remove the CD.

- 4 If you want to install a new copy of Windows XP, press <Esc> to select that option.
- 5 Press <Enter> to select the highlighted partition (recommended), and follow the instructions on the screen.


The **Windows XP Setup** screen appears, and the operating system begins to copy files and install the devices. The computer automatically restarts multiple times.

 **NOTE:** The time required to complete the setup depends on the size of the hard drive and the speed of your computer.

 **NOTICE:** Do not press any key when the following message appears: Press any key to boot from the CD.

- 6 When the **Regional and Language Options** screen appears, select the settings for your location and click **Next**.
- 7 Enter your name and organization (optional) in the **Personalize Your Software** screen, and click **Next**.
- 8 At the **Computer Name and Administrator Password** window, enter a name for your computer (or accept the one provided) and a password, and click **Next**.
- 9 If the **Modem Dialing Information** screen appears, enter the requested information and click **Next**.
- 10 Enter the date, time, and time zone in the **Date and Time Settings** window, and click **Next**.
- 11 If the **Networking Settings** screen appears, click **Typical** and click **Next**.
- 12 If you are reinstalling Windows XP Professional and you are prompted to provide further information regarding your network configuration, enter your selections. If you are unsure of your settings, accept the default selections.

Windows XP installs the operating system components and configures the computer. The computer automatically restarts.

 **NOTICE:** Do not press any key when the following message appears: Press any key to boot from the CD.

- 13 When the **Welcome to Microsoft** screen appears, click **Next**.
- 14 When the **How will this computer connect to the Internet?** message appears, click **Skip**.
- 15 When the **Ready to register with Microsoft?** screen appears, select **No, not at this time** and click **Next**.
- 16 When the **Who will use this computer?** screen appears, you can enter up to five users.
- 17 Click **Next**.
- 18 Click **Finish** to complete the setup, and remove the CD.
- 19 Reinstall the appropriate drivers with the *Drivers and Utilities* CD.

20 Reinstall your virus protection software.

21 Reinstall your programs.



NOTE: To reinstall and activate your Microsoft Office or Microsoft Works Suite programs, you need the Product Key number located on the back of the Microsoft Office or Microsoft Works Suite CD sleeve.



NOTE: If you installed a unique image on your computer or if you had to reinstall your operating system, run the DSS utility. DSS is available on your *Drivers and Utilities CD* and at support.dell.com.

Using the Drivers and Utilities CD

To use the *Drivers and Utilities CD* (also known as the ResourceCD) while you are running the Windows operating system:



NOTE: To access device drivers and user documentation, you must use the *Drivers and Utilities CD* while you are running Windows.

- 1** Turn on the computer and allow it to boot to the Windows desktop.
- 2** Insert the *Drivers and Utilities CD* into the CD drive.

If you are using the *Drivers and Utilities CD* for the first time on this computer, the **ResourceCD Installation** window opens to inform you that the *Drivers and Utilities CD* is about to begin installation.

- 3** Click **OK** to continue.
To complete the installation, respond to the prompts offered by the installation program.
- 4** Click **Next** at the **Welcome Dell System Owner** screen.
- 5** Select the appropriate **System Model**, **Operating System**, **Device Type**, and **Topic**.

Drivers for Your Computer

To display a list of device drivers for your computer:

- 1** Click **My Drivers** in the **Topic** drop-down menu.

The *Drivers and Utilities CD* scans your computer's hardware and operating system, and then a list of device drivers for your system configuration is displayed on the screen.

- 2** Click the appropriate driver and follow the instructions to download the driver to your computer.

To view all available drivers for your computer, click **Drivers** from the **Topic** drop-down menu.

Index

B

beep codes, 26

C

CD

operating system, 7

computer

beep codes, 26

closing cover, 18

restore to previous state, 28

conflicts

software and hardware
incompatibilities, 27

cover

closing, 18

D

Dell

premier support website, 6

support site, 6

Dell Diagnostics, 19

Dell Premier Support

website, 5-6

Device Manager, 27

diagnostic lights, 22-23

diagnostics

beep codes, 26

Dell, 19

Drivers and Utilities CD, 5

lights, 22-23

documentation

device, 5

online, 6

ResourceCD, 5

System Information Guide, 5

User's Guide, 5

drivers

ResourceCD, 5

Drivers and Utilities CD, 5

E

error messages

beep codes, 26

diagnostic lights, 22-23

F

Finding Information, 5

H

hardware

beep codes, 26

conflicts, 27

Dell Diagnostics, 19

Hardware Troubleshooter, 27

Help and Support Center, 7

I

IRQ conflicts, 27

L

labels

Microsoft Windows, 6

Service Tag, 6

lights

back of computer, 23

diagnostic, 22-23

front of computer, 22

power button, 22

system, 22

M

Microsoft Windows label, 6

O

Operating System

CD, 7

Installation Guide, 7

operating system

reinstalling Windows XP, 29

Operating System CD, 7

P

- power button light, 22
- problems
 - beep codes, 26
 - conflicts, 27
 - Dell Diagnostics, 19
 - diagnostic lights, 22-23
 - restore to previous state, 28

R

- reinstalling
 - Drivers and Utilities CD, 5
 - ResourceCD, 5
 - Windows XP, 29
- ResourceCD
 - Dell Diagnostics, 19

S

- safety instructions, 5
- Service Tag, 6
- software
 - conflicts, 27
- system lights, 22
- System Restore, 28

T

- troubleshooting
 - conflicts, 27
 - Dell Diagnostics, 19
 - diagnostic lights, 22-23
 - Hardware Troubleshooter, 27
 - Help and Support Center, 7
 - restore to previous state, 28

U

- User's Guide, 5

W

- warranty, 5
- Windows 2000
 - Device Manager, 27
 - Hardware Troubleshooter, 27
- Windows XP
 - Hardware Troubleshooter, 27
 - Help and Support Center, 7
 - reinstalling, 29
 - System Restore, 28


Dell™ OptiPlex™ SX280

快速參考指南

型號 DCTR

www.dell.com | support.dell.com

註、注意事項和注意

 **註**：註表示可以幫助您更有效地使用您的電腦的重要資訊。

 **注意事項**：注意事項表示可能會損壞硬體或導致資料遺失，並告訴您如何避免此類問題的發生。

 **注意**：注意表示可能會導致財產損壞、人身受傷或生命危險。

如果您購買了 Dell™ n 系列電腦，則本文件中對 Microsoft® Windows® 作業系統的任何參考都不適用。

本文件中的資訊如有變更，恕不另行通知。

著作權所有 © 2004 年 Dell Inc. 所有權利均予保留。

未經 Dell Inc. 的書面許可，不准以任何形式進行複製。

本文件中使用的商標：Dell、OptiPlex 和 DELL 標誌是 Dell Inc. 的商標；Microsoft 和 Windows 是 Microsoft Corporation 的註冊商標。

本文件中述及的其他商標和商業名稱可能指擁有相應商標和名稱的公司實體或其產品。Dell Inc. 對本公司之外的商標和產品名稱不擁有任何專利權。



型號 DCTR

2004 年 4 月 P/N X2955 Rev. A00

目錄

尋找資訊	39
關於您的電腦	42
前視圖	42
側視圖	42
後視圖	43
纜線蓋和變壓器	43
安裝您的電腦	44
確定電腦的擺設位置和方向	44
在模組槽中安裝裝置	45
連接外接式裝置	46
安裝硬碟機	48
安裝選購的纜線蓋	49
電腦內部	50
卸下主機蓋	50
內部視圖	51
裝回主機蓋	51
解決問題	52
Dell 診斷程式	52
電源供應器指示燈	55
系統指示燈	55
診斷指示燈	56
嗶聲代碼	58
執行 Dell™ IDE Hard Drive Diagnostics (Dell™ IDE 硬碟診斷程式)	59
解決軟體和硬體不相容問題	59
使用 Microsoft® Windows® XP 系統還原	60
重新安裝 Microsoft® Windows® XP	62
使用驅動程式和公用程式 CD	64
索引	65

尋找資訊

要尋找的項目是？	所在位置
<ul style="list-style-type: none">• 電腦的診斷程式• 電腦的驅動程式• 電腦說明文件• 裝置說明文件• 桌面系統軟體 (DSS)	<p>驅動程式和公用程式 CD (也稱為 ResourceCD)</p> <p>電腦中已經安裝了說明文件和驅動程式。您可以使用此光碟重新安裝驅動程式、執行 Dell 診斷程式或存取說明文件。</p>  <p>光碟中可能包含 readme (讀我) 檔案，它提供關於電腦的技術變更之最新資訊，或者為技術人員或有經驗的使用者提供進階技術參考資料。</p> <p>註：最新驅動程式和說明文件更新可從 support.dell.com 網站取得。</p>
<ul style="list-style-type: none">• 作業系統更新和修正程式	<p>桌面系統軟體 (DSS)</p> <p>位於驅動程式和公用程式 CD 和 support.dell.com 網站上。</p>
<ul style="list-style-type: none">• 保固資訊• 安全說明• 管制資訊• 人體工學資訊• 最終使用者授權合約	<p>Dell™ 產品資訊指南</p>  <p>註：本文件的 PDF 版本可從 support.dell.com 網站取得。</p>

要尋找的項目是？

- 如何卸下和裝回零件
- 技術規格
- 如何設定系統設定值
- 如何排除故障和解決問題

- 服務標籤和快速服務代碼
- Microsoft Windows 授權標籤

- 最新的電腦驅動程式
- 技術服務和支援問題的解答
- 與其他使用者和技術支援進行線上討論
- 電腦的說明文件

所在位置

Dell OptiPlex™ 使用者指南

Microsoft Windows XP 說明及支援中心

- 1 依次按一下**開始**按鈕和**說明及支援**。
- 2 依次按一下 **User's and system guides (使用者和系統指南)** 和 **User's Guides (使用者指南)**。

使用者指南也可以從驅動程式和公用程式 CD 上取得。

服務標籤和 Microsoft Windows 授權

這些標籤均位於您的電腦上。

- 使用 **support.dell.com** 或與技術支援聯絡時，服務標籤用於識別您的電腦。
- 與技術支援聯絡時，請輸入快速服務代碼以引導您進行電話諮詢。快速服務代碼並非適用於所有國家。



Dell 支援網站 — support.dell.com

註：選擇您所在地區以檢視適當的支援網站。

Dell 支援網站將提供幾種線上工具，其中包括：

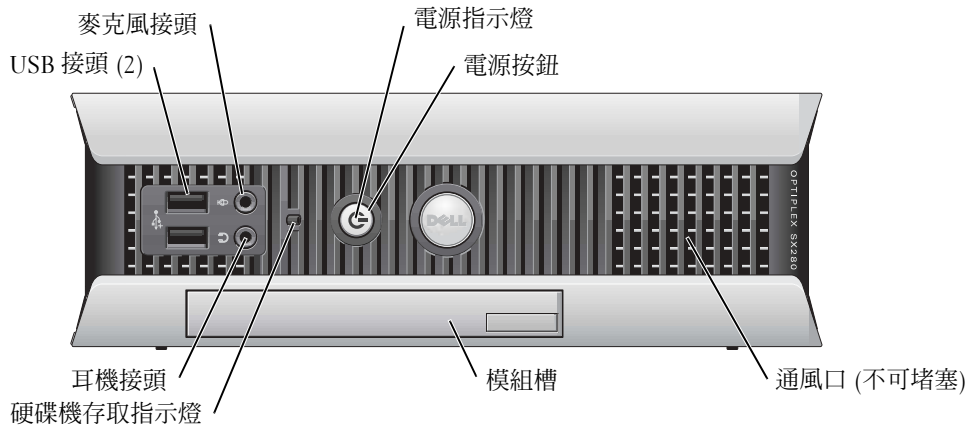
- Solutions (解決方案) — 故障排除提示、技術文件和線上課程
- Community (社群) — 與其他 Dell 客戶進行線上討論
- Upgrades (升級) — 元件的升級資訊，例如記憶體、硬碟機和作業系統
- Customer Care (客戶關懷中心) — 聯絡資訊、訂單狀態、保固和維修資訊
- Downloads (下載軟體) — 驅動程式、修補程式和軟體更新
- Reference (參考) — 電腦說明文件、產品規格及白皮書

要尋找的項目是？	所在位置
<ul style="list-style-type: none"> • 服務呼叫狀態和支援歷程記錄 • 關於電腦的首要技術問題 • 常見問題 • 檔案下載 • 電腦組態的詳細資料 • 電腦的服務合約 	<p>Dell Premier Support (Dell 優先支援) 網站 — premiersupport.dell.com</p> <p>Dell Premier Support 網站是專為公司、政府和教育機構的顧客量身定做的。此網站可能不適用於所有地區。</p>
<ul style="list-style-type: none"> • 如何使用 Windows XP • 電腦的說明文件 • 裝置 (例如數據機) 的說明文件 	<p>Windows 說明及支援中心</p> <ol style="list-style-type: none"> 1 依次按一下開始按鈕和說明及支援。 2 鍵入描述問題的字詞或短語，然後按一下箭頭圖示。 3 按一下描述問題的主題。 4 按照螢幕上的說明進行。
<ul style="list-style-type: none"> • 如何重新安裝作業系統 	<p>作業系統 CD</p> <p>作業系統即已安裝到您的電腦中。如需重新安裝作業系統，請使用作業系統 CD。請參閱 OptiPlex 使用者指南以取得說明。</p> <div data-bbox="739 829 1003 1098" data-label="Image"> </div> <p>重新安裝作業系統後，請使用驅動程式和公用程式 CD 以重新安裝電腦隨附裝置的驅動程式。</p> <p>您作業系統的產品識別碼位於電腦的 Windows 授權標籤上。</p> <p>註： 您 CD 的顏色視您訂購的作業系統而異。</p>
<ul style="list-style-type: none"> • 管制型號 • 底架類型 	<p>DCTR</p> <p>超小型 (USFF) 底架</p>

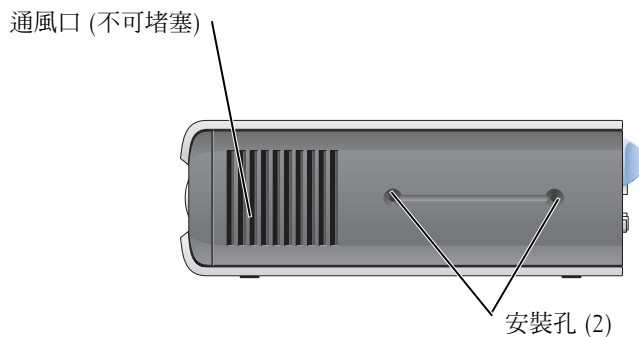
關於您的電腦

- 註：如果您要將電腦置於桌面下或牆上，請使用選購的牆上安裝托架。要訂購此托架，請與 Dell 公司聯絡。若要獲得有關與 Dell 公司聯絡的資訊，請參閱線上使用者指南。
- 註：為了確保通風良好，請勿堵塞散熱通風孔。

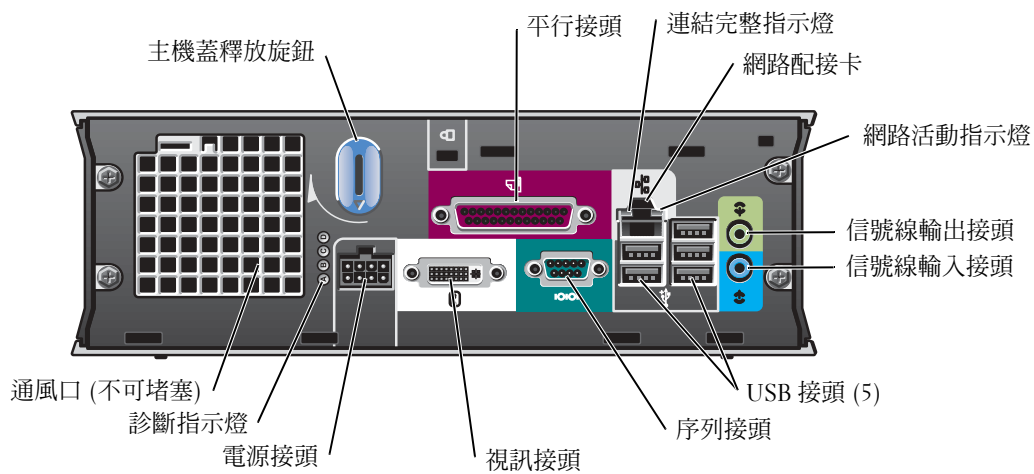
前視圖



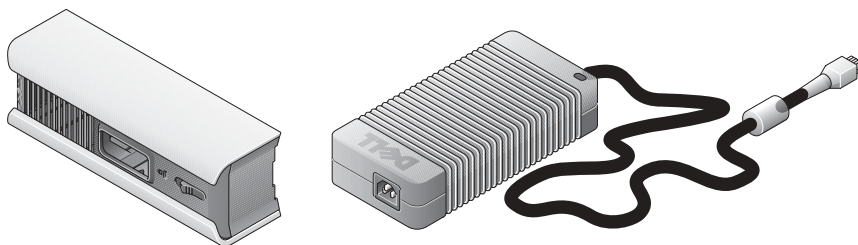
側視圖



後視圖



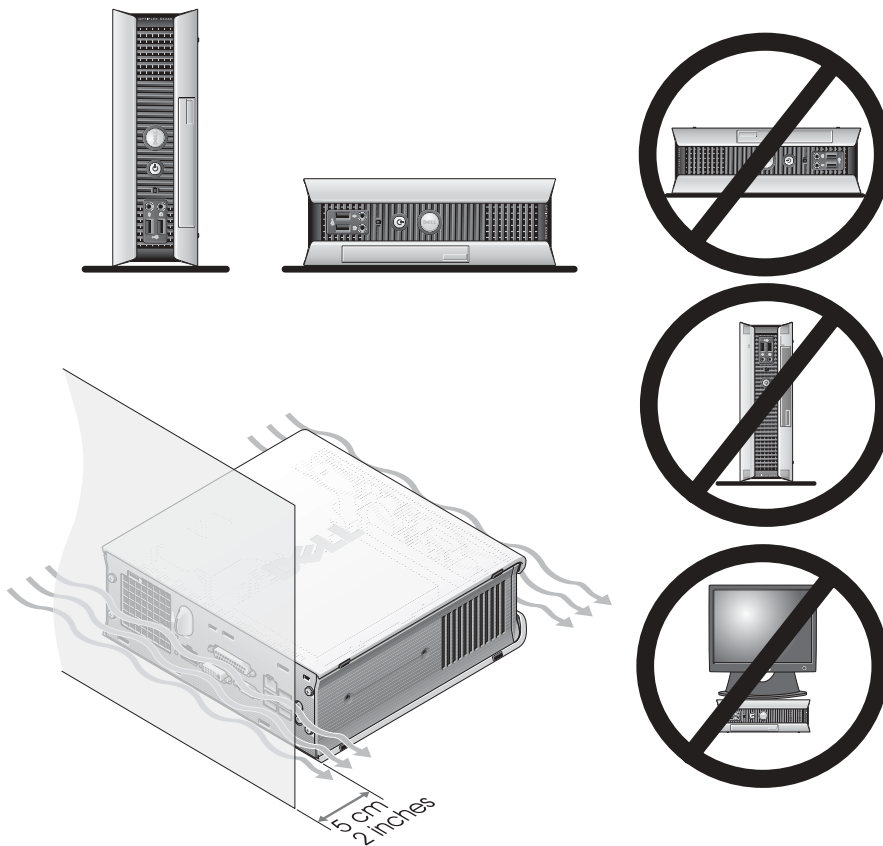
纜線蓋和變壓器



安裝您的電腦

- ➡ **注意事項：**安裝電腦時，請將所有纜線固定在工作區域的後面，以免拉扯、糾結或踩到纜線。
- ➡ **注意事項：**為防止電腦過熱而關機，請勿將電腦置於通風不良的地方。
- 🔍 **註：**如果您訂購了不含硬碟機的電腦，則可透過使用電腦隨附的硬碟機滑軌安裝硬碟機 (請參閱第 48 頁的「安裝硬碟機」)。

確定電腦的擺設位置和方向



- ➡ **注意事項：**切勿將監視器放在電腦上。請使用監視器腳架。
- ➡ **注意事項：**切勿將電腦翻轉。

注意事項：在劇烈震動的環境中，或如果要將電腦安裝在桌面下或牆上，請使用選購的牆上安裝托架。要訂購此托架，請與 Dell 公司聯絡。若要獲得有關與 Dell 公司聯絡的資訊，請參閱線上使用者指南。

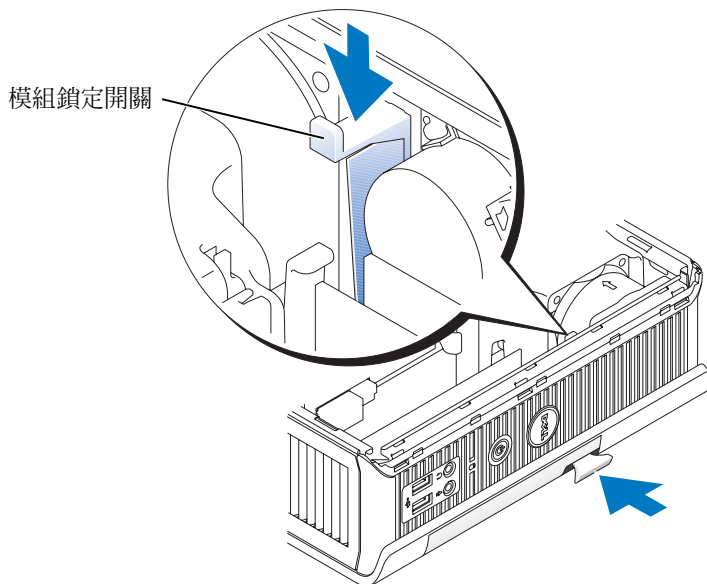
註：為了確保通風良好，電腦應放置在距離垂直表面至少 5 公分 (2 英吋) 的地方。切勿將電腦放置在密閉不通風的環境中。

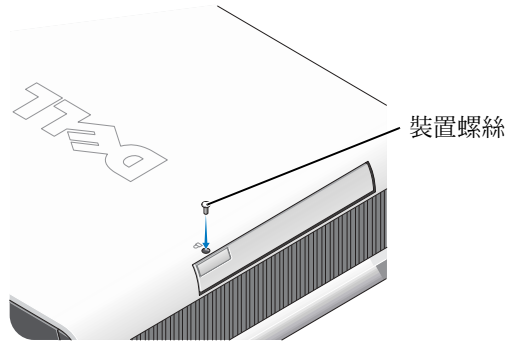
在模組槽中安裝裝置

您可以在模組槽中安裝 Dell™ 可攜式裝置，例如軟式磁碟機、CD/DVD 光碟機或第二個硬碟機。Dell 電腦隨附 CD/DVD 光碟機或在模組槽中安裝了空置槽。

為安全起見，您的電腦配備了模組鎖定開關以保護模組槽中的裝置。若要存取開關，請卸下主機蓋 (請參閱第 50 頁的「卸下主機蓋」)。

為了提高安全性，您也可以透過使用電腦隨附的裝置螺絲 (單獨封裝) 將裝置固定在模組槽中。





連接外接式裝置

⚠ 注意：開始本部份中的任何程序之前，請按照產品資訊指南中的安全說明進行。您必須完成以下所有步驟才能正確安裝電腦。請參見適當的圖並按照說明進行。

- 1 使用電腦背面的 USB 接頭以連接鍵盤和滑鼠。
- 2 連接數據機或網路纜線。

🔄 注意事項：要連接網路電纜，請先將電纜插入牆上網路插孔，然後再將其插入電腦。

將網路纜線 (而非電話線) 插入網路接頭。如果您擁有選購的數據機，請將電話線連接至數據機。

🔄 注意事項：切勿將數據機纜線連接至網路配接卡。電話通訊所產生的電壓可能會損壞網路配接卡。


- 3 連接監視器。

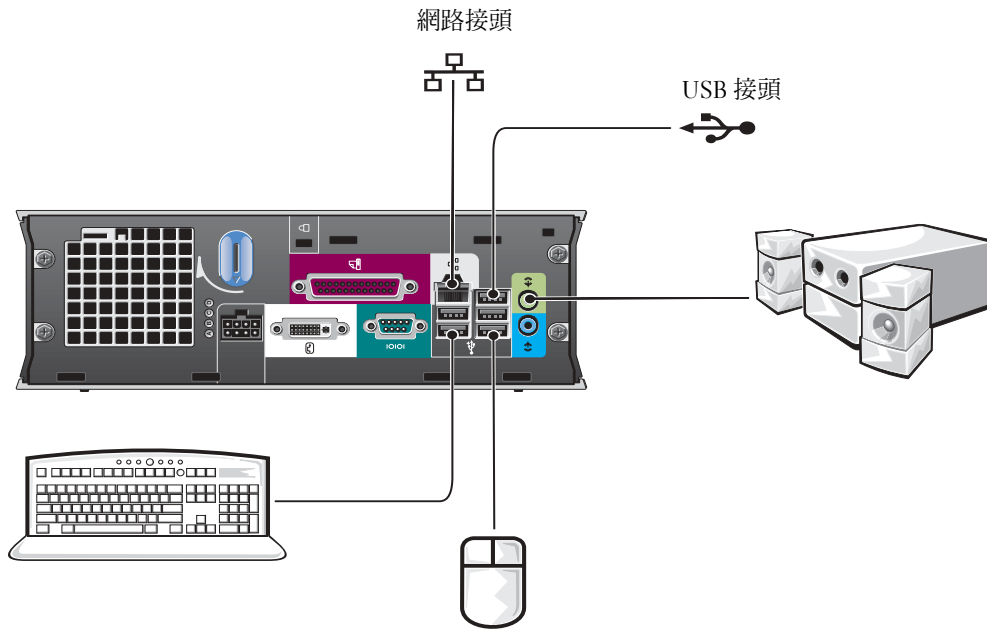
對齊並輕輕地插入監視器纜線以免弄彎接頭插腳，然後轉緊纜線接頭上的指旋螺絲。

🔧 註：某些監視器的視訊接頭位於其螢幕背面的下方。請參閱監視器隨附的說明文件，以找到接頭的位置。

- 4 連接喇叭。
- 5 將電源線連接至電腦、監視器和裝置，然後將電源線的另一端插入電源插座。
- 6 按下電源按鈕以開啓電腦和監視器的電源，

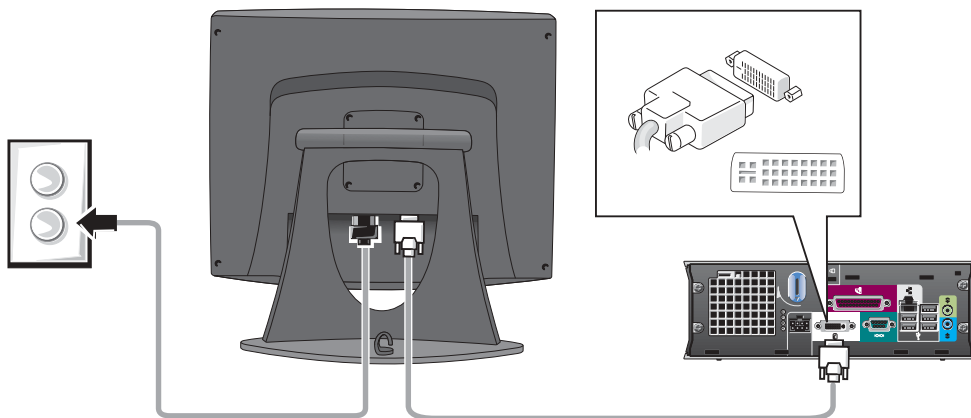
🔧 註：安裝電腦未隨附的任何裝置或軟體之前，請閱讀軟體或裝置隨附的說明文件或與供應商聯絡，以確認軟體或裝置是否與電腦和作業系統相容。

 **註：** 您的電腦可能與下列安裝圖略有不同。



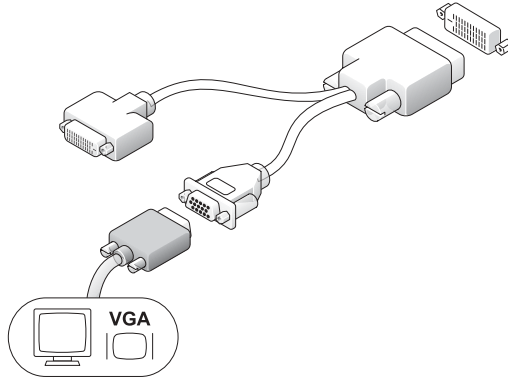
連接 DVI 監視器

如果您有 DVI 相容型監視器，請將監視器纜線插入電腦背面板上的白色 DVI 顯示幕接頭。



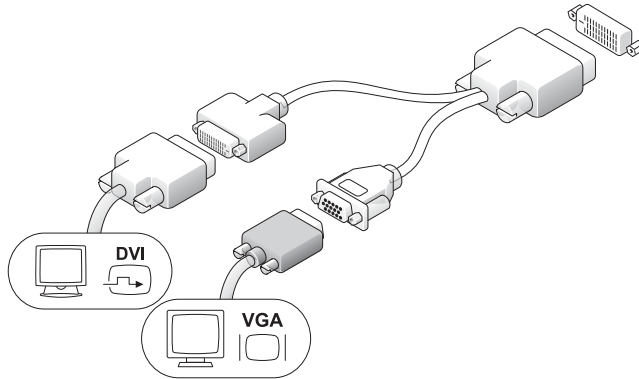
連接 VGA 監視器

如果您有 VGA 相容型監視器，請使用配接卡纜線將監視器連接至電腦背面板上的白色 DVI 顯示幕接頭。



連接雙監視器

使用配接卡纜線將 VGA 監視器和 DVI 監視器同時連接至電腦背面板上的白色 DVI 顯示幕接頭。



安裝硬碟機

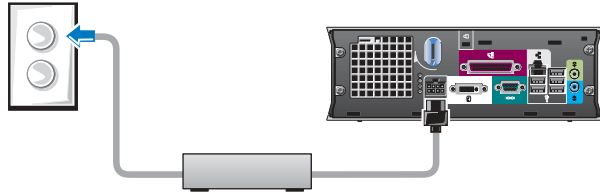
⚠ 注意：在開始本部份中的任何程序之前，請按照產品資訊指南中的安全說明進行。

- 1 如果您要安裝新硬碟機，請將位於主機蓋內側的硬碟機滑軌連接至新硬碟機。
- 2 將資料纜線和電源線連接至硬碟機接頭，請小心不要弄彎任何插腳。
- 3 將硬碟機滑入托架。

連接交流電變壓器

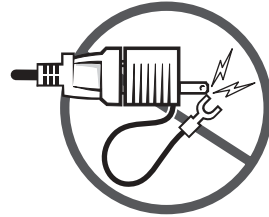
⚠ 注意：在開始本部份中的任何程序之前，請按照產品資訊指南中的安全說明進行。

- 1 將變壓器連接至電腦背面的接頭。為了使連線穩固，請確認門鎖完全接合。(您將聽到卡嗒聲。)
- 2 將電源線連接至變壓器。
- 3 如果您的電腦電源線接頭具有接地線且您決定要連接它，請繼續執行步驟 4。否則，請移至步驟 5。

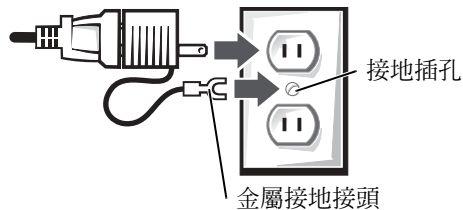


⚠ 注意：如果電源線或配接卡提供連接電源插座的綠色接地線，請勿嘗試將綠色接地線和電源線的插頭相互觸碰，否則可能會導致觸電、火災或損壞電腦(請參見下圖)。

- 4 將金屬接地接頭連接至插座的接地插孔(請參閱下圖)：
 - a 鬆開接地插孔。
 - b 將金屬接地接頭完全滑入接地插孔，然後轉緊接地插孔。



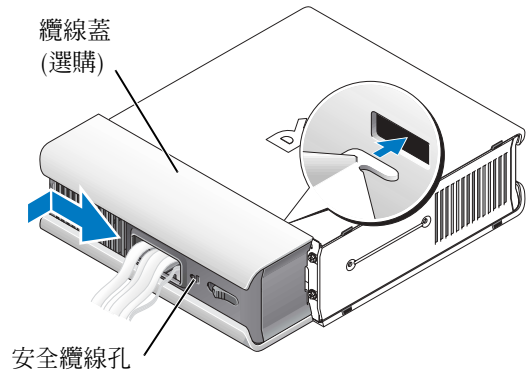
- 5 將交流電源線連接至插座。



安裝選購的纜線蓋

- 1 確定所有外接式裝置的纜線均穿過纜線蓋上的小孔，並連接至電腦背面板。
- 2 握住纜線蓋底部部分，將四個彈片與電腦背面板上的四個插槽對齊。

- 3 將彈片插入插槽，然後將纜線蓋朝診斷指示燈方向 (請參見圖) 滑動，直至纜線蓋穩固地卡入定位。
- 4 將安全保護裝置安裝在安全纜線孔 (選購) 中。

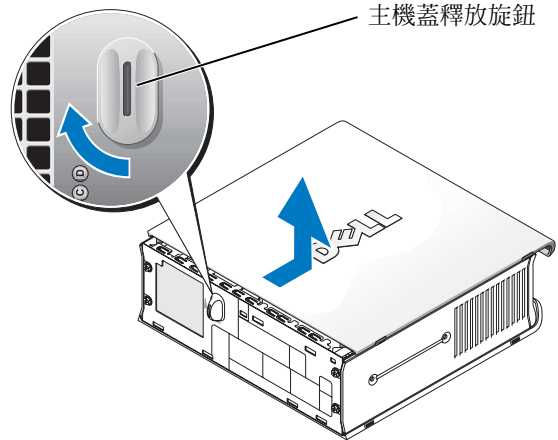


電腦內部

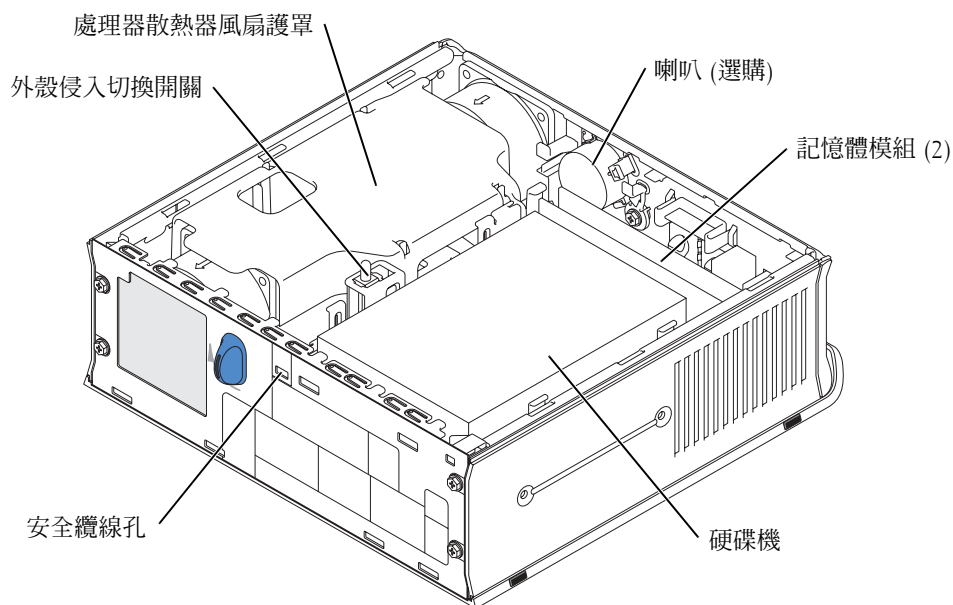
卸下主機蓋

- ⚠ 注意：在開始本部份中的任何程序之前，請按照產品資訊指南中的安全說明進行。
- ⚠ 注意：為避免觸電，在卸下主機蓋之前，請務必從變壓器上拔下電腦電源線。
- ⚠ 注意：為防止靜電損壞電腦內部元件，請在觸摸電腦的任何電子元件之前，先導去您身上的靜電。您可以觸摸電腦底架上未上漆的金屬表面，以導去您身上的靜電。

- 1 卸下主機蓋。
 - a 順時針方向旋轉主機蓋釋放旋鈕，如圖中所示。
 - b 將主機蓋向前滑動 1 公分 (0.5 英吋)，或直到它停止，然後提起主機蓋。



內部視圖



裝回主機蓋

⚠ 注意：在開始本部份中的任何程序之前，請按照產品資訊指南中的安全說明進行。

- 1 裝回主機蓋：
 - a 放下主機蓋並與電腦金屬框架對齊。
 - b 滑動主機蓋，直到您聽到其卡入定位的卡嗒聲。

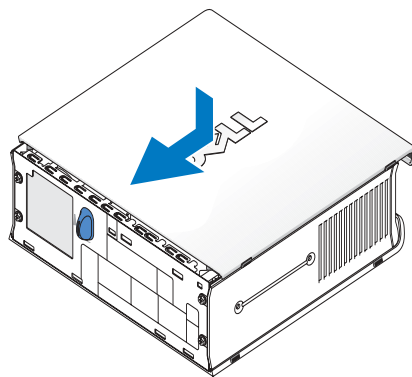
- 2 將電腦連接至其變壓器，將裝置連接至電源插座，然後開啓它們的電源。

如果外殼侵入偵測器設定為 **On (開啓)**，下列訊息將在下次重新啓動電腦時顯示在螢幕上：

```
ALERT! Cover was previously removed.
```

- 3 進入系統設定程式並選擇 **Intrusion Status (侵入狀態)** 選項中的 **Clear (清除)**，可清除外殼侵入狀態。若要取得有關外殼侵入偵測器的資訊，請參閱線上使用者指南。

🔑 註：如果其他人指定了管理密碼，請與您的網路管理員聯絡，以獲得有關重設外殼侵入偵測器的資訊。



解決問題

如果您的電腦未正常執行，Dell 會為您提供許多輔助工具。若要取得最新的電腦故障排除資訊，請瀏覽 Dell 支援網站 (support.dell.com)。

如果需要 Dell 的協助來解決電腦發生的問題，請在下面寫下錯誤的詳細描述、嗶聲代碼或診斷指示燈樣式、快速服務代碼和服務標籤號碼，然後從您電腦的所在地與 Dell 公司聯絡。

請參閱第 39 頁的「尋找資訊」，以獲得快速服務代碼和服務標籤號碼的範例。

快速服務代碼：_____


服務標籤：_____

Dell 診斷程式

 **注意：**在開始本部份中的任何程序之前，請按照產品資訊指南中的安全說明進行。

何時使用 Dell 診斷程式

如果在使用電腦時遇到問題，請在與 Dell 聯絡以尋求技術援助之前，先執行第 44 頁的「安裝您的電腦」中列出的檢查項目和 Dell 診斷程式。


 **注意事項：**Dell 診斷程式只能在 Dell™ 電腦上使用。

進入系統設定程式，查閱電腦的組態資訊，並確定要測試的裝置顯示在系統設定程式中且處於現用狀態。若要獲得更多有關系統設定程式的資訊，請參閱使用者指南。

從硬碟機 (請參閱第 52 頁的「從硬碟機啓動 Dell 診斷程式」) 或驅動程式和公用程式 CD (亦稱為 ResourceCD 請參閱第 53 頁的「從驅動程式和公用程式 CD 啓動 Dell 診斷程式」) 啓動 Dell 診斷程式。

從硬碟機啓動 Dell 診斷程式

- 1 開啓電腦電源 (或重新啓動電腦)。
- 2 在螢幕上出現 DELL™ 標誌時，請立即按下 <F12>。

 **註：**如果看到一則說明未找到診斷公用程式分割區的訊息，請參閱第 53 頁的「從驅動程式和公用程式 CD 啓動 Dell 診斷程式」。

如果您等待太久且螢幕上出現作業系統標誌，請繼續等待，直至您看到 Microsoft® Windows® 桌面。然後關機並再試一次。若要獲得有關關機的資訊，請參閱線上使用者指南。

- 3 啓動裝置清單出現時，反白顯示 **Boot to Utility Partition (啓動至公用程式分割區)**，然後按下 <Enter>。
- 4 Dell 診斷程式 **Main Menu (主功能表)** 出現時，請選擇要執行的測試 (請參閱第 53 頁)。


從驅動程式和公用程式 CD 啟動 Dell 診斷程式

1 插入驅動程式和公用程式 CD。

2 關機並重新啟動電腦。

畫面上出現 DELL 標誌時，請立即按下 <F12>。

如果您等待太久且螢幕上出現 Windows 標誌，請繼續等待，直至您看到 Windows 桌面。然後關機並再試一次。

 **註：**以下步驟將只能變更啟動順序一次。下次啟動時，電腦將根據系統設定程式中指定的裝置啟動。

3 啟動裝置清單出現時，反白顯示 Onboard or USB CD-ROM (機載或 USB CD-ROM)，然後按下 <Enter>。

4 在 CD 啟動功能表中選擇 Onboard or USB CD-ROM Device (機載或 USB CD-ROM 裝置)。

5 在出現的功能表中選擇 Boot from CD-ROM (從 CD-ROM 開機) 選項。

6 鍵入 1 可啟動 ResourceCD 功能表。

7 鍵入 2 可啟動 Dell 診斷程式。

8 從編號清單中選擇 Run the 32 Bit Dell Diagnostics (執行 32 位元 Dell 診斷程式)。如果列出了多個版本，請選擇適合您電腦的版本。

9 Dell 診斷程式 Main Menu (主功能表) 出現時，請選擇要執行的測試 (請參閱第 53 頁)。


Dell 診斷程式主功能表

1 在 Dell 診斷程式載入且 Main Menu (主功能表) 螢幕出現後，按一下代表所需選項的按鈕。

選項	功能
Express Test (快速測試)	快速測試裝置。本測試通常需要 10 至 20 分鐘，且無需使用者作出回應。請先執行 Express Test 以便能快速找到問題。
Extended Test (全面測試)	全面檢查裝置。本測試通常需要一小時或更長時間，且需要您不時地回答問題。
Custom Test (自訂測試)	測試特定裝置。您可以自訂要執行的測試。
Symptom Tree (症狀樹)	列出所遇到的常見症狀，讓您根據自己的問題症狀選擇測試類型。

- 2 如果在測試時遇到問題，則會出現具有錯誤代碼和問題說明的訊息。請記下錯誤代碼和問題說明，然後按照螢幕上的說明進行。

如果您無法更正錯誤，請與 Dell 公司聯絡。

 **註：** 您電腦的服務標籤將位於每個測試螢幕的頂部。如果您與 Dell 公司聯絡，技術支援人員會要求您提供服務標籤。

- 3 如果您是使用 **Custom Test** 或 **Symptom Tree** 選項執行測試，請按一下下表所列的適當標籤以獲得更多資訊。

標籤	功能
Results (結果)	顯示測試結果和所有遇到的錯誤狀況。
Errors (錯誤)	顯示遇到的錯誤狀況、錯誤代碼和問題說明。
Help (說明)	對測試進行說明，同時還可能會指明測試執行要求。
Configuration (組態)	顯示所選裝置的硬體組態。 Dell 診斷程式會從系統設定程式、記憶體和各種內部測試中獲取所有裝置的組態資訊，並將其顯示在螢幕左窗格的裝置清單中。裝置清單可能不會顯示電腦中安裝的所有元件或連接至電腦的所有裝置之名稱。
Parameters (參數)	可讓您透過變更測試設定值來自訂測試。

- 4 測試完成後，如果您是透過驅動程式和公用程式 CD 執行 Dell 診斷程式，請取出 CD。
- 5 關閉測試畫面以回到 **Main Menu** 畫面。若要結束 Dell 診斷程式並重新啟動電腦，請關閉 **Main Menu** 螢幕。

電源供應器指示燈

指示燈狀態	PSU 狀態	說明	故障排除
熄滅	無交流電，或出現故障狀況	表示電源供應器無法從電源插座接通電源，或電源供應器由於故障狀況而關機。	使用其他裝置 (例如電燈) 來測試電源插座，以確定其工作正常。 檢查交流電源線是否正確連接至電源供應器。如有必要，請重新插接電源供應器上的交流電源線。 拔下電源供應器上的交流電源線，並切斷電腦的直流電源線至少 10 秒鐘。將交流電源線重新連接至電源供應器。電源供應器上的指示燈應呈黃色亮起。將直流電源線重新連接至電腦。電源供應器上的指示燈應呈綠色亮起。
黃色	有交流電/未通電	表示電源供應器已連接至運作正常的電源插座，但未連接至電腦。	檢查電源供應器是否完全插入電腦且固定門鎖接合。如有必要，請重新插接連線。
綠色	有交流電/通電	表示電源供應器可從電源插座接通電源，且正確連接至電源。	檢查電源按鈕指示燈，然後請參閱第 55 頁的「系統指示燈」。

系統指示燈

您的電源按鈕指示燈和硬碟機指示燈可指示電腦問題。

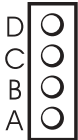
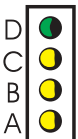
電源指示燈	問題說明	建議的解決方案
在 POST 期間，電源指示燈呈綠色持續亮起，未發出嗶聲代碼但電腦鎖定	內建的主機板裝置可能發生故障。	查閱第 56 頁的「診斷指示燈」以確定是否能識別特定的問題。如果無法識別問題，請與 Dell 公司聯絡以尋求技術援助。
在 POST 期間，電源指示燈呈綠色持續亮起，未發出嗶聲代碼且無影像顯示	監視器可能發生故障，或安裝不正確。	檢查第 56 頁的「診斷指示燈」診斷指示燈以確定是否能識別特定的問題。

電源指示燈	問題說明	建議的解決方案
在 POST 期間呈綠色持續亮起且發出嗶聲代碼	電腦在 BIOS 執行時偵測到問題。	請參閱第 59 頁的「執行 Dell™ IDE Hard Drive Diagnostics (Dell™ IDE 硬碟診斷程式)」以獲得有關對嗶聲代碼進行診斷的說明。另外，請檢查診斷指示燈以確定是否能識別特定的問題。
呈黃色持續亮起	Dell 診斷程式正在執行測試，或者主機板上的裝置可能發生故障或未正確安裝。	如果 Dell 診斷程式正在執行測試，請讓測試完成。 查閱第 56 頁的「診斷指示燈」以確定是否能識別特定的問題。 如果電腦無法啟動，請與 Dell 公司聯絡以尋求技術援助。
呈綠色閃爍幾次，然後熄滅	存在組態錯誤。	查閱第 56 頁的「診斷指示燈」以確定是否能識別特定的問題。
呈綠色閃爍	電腦處於暫停狀態 (Microsoft® Windows® 2000 和 Windows XP)。	按下電源按鈕以喚醒電腦。
呈綠色持續亮起	電源已開啓且電腦正常操作。	無需採取任何更正措施。

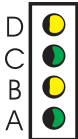
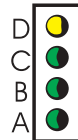

診斷指示燈

⚠ 注意：在開始本部份中的任何程序之前，請按照產品資訊指南中的安全說明進行。

為了協助您排除故障，您的電腦在背面板上配備了四個標有「A」、「B」、「C」和「D」的指示燈 (請參閱第 43 頁)。這些指示燈可呈黃色或綠色亮起。如果電腦正常啟動，指示燈樣式或代碼將在開機程序完成時變更。如果系統啟動期間的 POST 部份成功完成，所有四個指示燈將呈綠色持續亮起。如果電腦在 POST 期間發生故障，指示燈顯示的樣式可幫助您識別電腦在程序的哪個階段停止。

指示燈樣式	問題說明	建議的解決方案
	電腦處於正常的關閉狀況，或在執行 BIOS 前可能發生故障。	將電腦連接至運作正常的電源插座，然後按下電源按鈕。
	BIOS 可能發生故障；電腦處於恢復模式。	執行 BIOS 恢復公用程式並等待恢復完成，然後重新啟動電腦。

指示燈樣式	問題說明	建議的解決方案
	黃色 綠色 黃色 黃色	處理器可能發生故障。 重新安裝處理器，然後重新啓動電腦。若要取得有關重新安裝處理器的資訊，請參閱線上使用者指南。
	綠色 綠色 黃色 黃色	偵測到記憶體模組，但記憶體發生故障。 <ul style="list-style-type: none"> 如果您安裝了一個記憶體模組，請重新安裝它並重新啓動電腦。若要取得有關重新安裝記憶體模組的資訊，請參閱線上使用者指南。 如果您安裝了兩個記憶體模組，請卸下並安裝一個模組，然後重新啓動裝電腦。如果電腦正常啓動，請重新安裝其他模組。 如果可以的話，請在電腦中安裝相同類型正常工作的記憶體。 如果問題仍然存在，請與 Dell 公司聯絡。
	黃色 綠色 綠色 黃色	軟式磁碟機或硬碟機可能發生故障。 重新插接所有電源線和資料纜線，然後重新啓動電腦。
	綠色 綠色 綠色 黃色	USB 可能發生故障。 重新安裝所有 USB 裝置，檢查其纜線的連接狀況，然後重新啓動電腦。
	黃色 黃色 黃色 綠色	沒有偵測到記憶體模組。 <ul style="list-style-type: none"> 如果您安裝了一個記憶體模組，請重新安裝它並重新啓動電腦。若要取得有關重新安裝記憶體模組的資訊，請參閱線上使用者指南。 如果您安裝了兩個記憶體模組，請卸下並安裝一個模組，然後重新啓動裝電腦。如果電腦正常啓動，請重新安裝其他模組。 如果可以的話，請在電腦中安裝相同類型正常工作的記憶體。 如果問題仍然存在，請與 Dell 公司聯絡。

指示燈樣式	問題說明	建議的解決方案
	偵測到記憶體模組，但存在記憶體組態或相容性錯誤。	<ul style="list-style-type: none"> 確定沒有特殊的記憶體模組/記憶體接頭安裝要求。若要取得有關記憶體模組的資訊，請參閱線上使用者指南。 確認要安裝的記憶體模組與您的電腦相容。 如果問題仍然存在，請與 Dell 公司聯絡。
	啓動前發生錯誤。	<ul style="list-style-type: none"> 確定將硬碟機、光碟機和 DVD 光碟機的纜線正確連接至主機板。 請查閱顯示器螢幕上出現的電腦訊息。 如果問題仍然存在，請與 Dell 公司聯絡。
	電腦在完成 POST 後處於正常作業狀態。	無。

嗶聲代碼

如果監視器無法顯示錯誤或問題，電腦將在啓動期間發出一系列嗶聲。此系列嗶聲稱為嗶聲代碼，可以識別問題。一個可能的嗶聲代碼 (代碼 1-3-1) 由一聲嗶聲、急促的三聲嗶聲和一聲嗶聲組成。此嗶聲代碼告訴您電腦遇到記憶體問題。

如果電腦在啓動期間發出嗶聲：

- 1 請記下嗶聲代碼。
- 2 請參閱第 52 頁的「Dell 診斷程式」來識別更嚴重的原因。
- 3 請與 Dell 公司聯絡以尋求技術援助。

代碼	原因	代碼	原因
1-1-2	微處理器暫存器發生故障	3-3-4	影像記憶體測試失敗
1-1-3	NVRAM 讀/寫失敗	3-4-1	螢幕起始作業失敗
1-1-4	ROM BIOS 總和檢查失敗	3-4-2	螢幕馳返失敗
1-2-1	可程式時間間隔計時器發生故障	3-4-3	搜尋影像 ROM 失敗
1-2-2	DMA 起始作業失敗	4-2-1	沒有計時器計時訊號
1-2-3	DMA 頁暫存器讀/寫失敗	4-2-2	關機失敗
1-3	影像記憶體測試失敗	4-2-3	A20 閘發生故障
1-3-1 至 2-4-4	未正確識別或使用記憶體	4-2-4	保護模式下出現非預期的岔斷

代碼	原因	代碼	原因
3-1-1	從 DMA 暫存器發生故障	4-3-1	位址在 0FFFFh 以上的記憶體發生故障
3-1-2	主 DMA 暫存器發生故障	4-3-3	計時器晶片 2 號計數器發生故障
3-1-3	主岔斷屏蔽暫存器發生故障	4-3-4	日期時鐘已停止
3-1-4	從岔斷屏蔽暫存器發生故障	4-4-1	序列埠或並列埠測試失敗
3-2-2	岔斷向量載入失敗	4-4-2	無法將代碼解壓縮至陰影記憶體
3-2-4	鍵盤控制器測試失敗	4-4-3	算術輔助處理器測試失敗
3-3-1	NVRAM 斷電	4-4-4	快取記憶體測試失敗
3-3-2	無效的 NVRAM 組態		

執行 Dell™ IDE Hard Drive Diagnostics (Dell™ IDE 硬碟診斷程式)

Dell IDE Hard Drive Diagnostics 是一個測試硬碟以排除或確認硬碟故障的公用程式。

- 1 開啓電腦電源 (如果電腦已開啓，請將其重新啓動)。
- 2 畫面右上角出現 F2 = Setup 時，請按下 <Ctrl><Alt><D>。
- 3 按照螢幕上的說明進行。

如果有故障報告，請參閱使用者指南中的「硬碟問題」。

解決軟體和硬體不相容問題

如果在作業系統設定時沒有偵測到裝置，或偵測到裝置沒有正確設定，您可使用「硬體疑難排解」以解決不相容問題。在 Microsoft® Windows® 2000 作業系統中，您也可以使用「裝置管理員」以解決不相容問題。

Windows XP

若要使用「硬體疑難排解」解決不相容問題，請：

- 1 依次按一下**開始按鈕**和**說明及支援**。
- 2 在**搜尋欄位**中鍵入**硬體疑難排解**，然後按一下箭頭以開始搜尋。
- 3 在**搜尋結果清單**中，按一下**硬體疑難排解**。
- 4 在**硬體疑難排解清單**中，依次按一下**我的電腦上有硬體衝突的情形需要解決**和**下一步**。

Windows 2000

若要使用「裝置管理員」解決不相容問題，請：

- 1 按一下**開始按鈕**，指向**設定**，然後按一下**控制台**。
- 2 在**控制台視窗**中連按兩下**系統**。

- 3 按一下**硬體**標籤。
- 4 按一下**裝置管理員**。
- 5 依次按一下**檢視和資源 (依連線)**。
- 6 連按兩下**中斷要求 (IRQ)**。

沒有正確設定的裝置旁邊會出現一個黃色驚嘆號 (!)；如果裝置已停用，則會出現紅色的 x。

- 7 連按兩下標記驚嘆號的任何裝置，以顯示**內容**視窗。

內容視窗中的**裝置狀態**區域將報告需要設定的插卡或裝置。

- 8 重新設定裝置或從「裝置管理員」中移除裝置。請參閱裝置隨附的說明文件，以取得有關設定裝置的資訊。

若要使用「硬體疑難排解」解決不相容問題，請：

- 1 依次按一下**開始**按鈕和**說明**。
- 2 依次按一下**內容**標籤中的**疑難排解及維護**、Windows 2000 的**疑難排解**和**硬體**。
- 3 在**硬體疑難排解**清單中，依次按一下**我的電腦**上有**硬體衝突**的情形需要解決和下一步。

使用 Microsoft® Windows® XP 系統還原

Microsoft® Windows® XP 作業系統提供了系統還原功能。如果對硬體、軟體或其他系統設定值所作的變更導致電腦處於異常的作業狀態，該功能可讓您將電腦還原至之前的作業狀態 (而不會影響資料檔案)。請參閱「說明及支援中心」以取得有關使用「系統還原」的資訊。



注意事項：經常備份資料檔。系統還原不會監視資料檔案或還原它們。

建立還原點

- 1 依次按一下**開始**按鈕和**說明及支援**。
- 2 按一下**系統還原**。
- 3 按照螢幕上的說明進行。

將電腦還原至之前的作業狀態



注意事項：將電腦還原至之前的作業狀態之前，請儲存並關閉所有已開啓的檔案，並結束所有開啓的程式。在系統還原完成之前，請勿變更、開啓或刪除任何檔案或程式。

- 1 按一下**開始**按鈕，指向**所有程式** → **附屬應用程式** → **系統工具**，然後按一下**系統還原**。
- 2 確定已選定將電腦還原到較早的時間點，然後按一下**下一步**。

- 3 按一下您要將電腦還原到哪一天的日期。

選取一個還原點螢幕提供了可讓您查看和選擇還原點的日曆。有可用還原點的所有日期均以粗體顯示。

- 4 選擇某個還原點，然後按一下**下一步**。

如果日期中只有一個還原點，則系統會自動選定該還原點。如果有兩個或兩個以上的還原點，請按一下您要使用的還原點。

- 5 按一下**下一步**。

還原完成螢幕會在系統還原完成資料蒐集後出現，然後電腦會自動重新啓動。

- 6 電腦重新啓動後，請按一下**確定**。

若要變更還原點，您可重複上述步驟並使用另一個還原點，也可以復原所作的還原。

復原上次的系統還原



注意事項：在您復原上次的系統還原之前，請儲存並關閉所有開啓的檔案，然後結束所有開啓的程式。在系統還原完成之前，請勿變更、開啓或刪除任何檔案或程式。

- 1 按一下**開始**按鈕，指向**所有程式** → **附屬應用程式** → **系統工具**，然後按一下**系統還原**。
- 2 依次按一下**復原上次還原**和**下一步**。
- 3 按一下**下一步**。
系統還原螢幕將會出現，然後電腦會重新啓動。
- 4 電腦重新啓動後，請按一下**確定**。

啓用系統還原


如果您重新安裝 Windows XP 且硬碟可用空間少於 200 MB，則系統還原會自動停用。若要查看是否啓用了系統還原，請：

- 1 依次按一下**開始**按鈕和**控制台**。
- 2 按一下**系統**。
- 3 按一下**系統還原**標籤。
- 4 確定未核取**關閉系統還原**。

重新安裝 Microsoft® Windows® XP


開始進行前

如果您考慮重新安裝 Windows XP 作業系統以更正使用新安裝驅動程式的問題，請先嘗試使用 Windows XP 裝置驅動程式回復。(若要取得有關裝置驅動程式回復的資訊，請參閱線上使用者指南)。如果「裝置驅動程式回復」無法解決問題，請使用「系統還原」(請參閱第 60 頁的「使用 Microsoft® Windows® XP 系統還原」) 以將作業系統恢復到您安裝新裝置驅動程式之前的作業狀態。

 **注意事項：** 在執行安裝之前，請備份主硬碟機上的所有資料檔。對於傳統的硬碟機組態，主硬碟機是電腦偵測到的第一個磁碟機。

若要重新安裝 Windows XP，您需要下列 CD 和資訊：

- Dell™ 作業系統 CD
- Dell 驅動程式和公用程式 CD


 **註：** 驅動程式和公用程式 CD 包含電腦組裝期間安裝的驅動程式。使用驅動程式和公用程式 CD 以載入所有需要的驅動程式，包括配備 RAID 控制器的電腦所需的驅動程式。


重新安裝 Windows XP

 **注意事項：** 您必須使用 Windows XP Service Pack 1 或更新版重新安裝 Windows XP。

若要重新安裝 Windows XP，請按所列順序執行下列章節中的所有步驟。

重新安裝程序可能需要 1 至 2 小時才能完成。重新安裝作業系統後，您還必須重新安裝裝置驅動程式、防毒程式及其他軟體。

 **注意事項：** 作業系統 CD 提供了用於重新安裝 Windows XP 作業系統的選項。這些選項可能會覆寫檔案，並可能會影響已安裝在硬碟機上的程式。因此，除非 Dell 技術支援代表要求您重新安裝，否則請勿重新安裝 Windows XP。

 **注意事項：** 為防止與 Windows XP 發生衝突，請在重新安裝 Windows XP 之前停用電腦上安裝的所有防毒軟體。請參閱軟體隨附的說明文件以獲得說明。

從作業系統 CD 啟動

- 1 儲存並關閉所有開啓的檔案，然後結束所有開啓的程式。
- 2 插入作業系統 CD。如果顯示安裝 windows XP 訊息，請按一下**結束**。
- 3 重新啓動電腦。
- 4 在螢幕上出現 DELL™ 標誌時，請立即按下 <F12>。


如果螢幕上出現作業系統標誌，請繼續等待，直至您看到 Windows 桌面，然後關機並再試一次。


- 5 按下方向鍵以選擇 CD-ROM，然後按下 <Enter>。
- 6 在螢幕上出現 Press any key to boot from CD 訊息時，請按下任意鍵。

Windows XP 安裝

- 1 在 Windows XP 安裝螢幕出現時，按下 <Enter> 以選擇**立即安裝 Windows**。
- 2 閱讀 Microsoft Windows 授權合約螢幕中的資訊，然後按下 <F8> 以接受授權合約。
- 3 如果您的電腦已安裝 Windows XP，而您要還原目前的 Windows XP 資料，請鍵入 r 以選擇修復選項，然後取出 CD。
- 4 如果您要安裝 Windows XP 的新副本，請按下 <Esc> 以選取該選項。
- 5 按下 <Enter> 以選擇反白顯示的分割區 (建議使用)，然後按照螢幕上的說明進行。


Windows XP 安裝螢幕將會出現，作業系統開始複製檔案並安裝裝置。電腦將會自動數次重新啓動。

 **註：**完成安裝所需的時間視硬碟機大小與電腦速度而定。

 **注意事項：**在螢幕上出現 Press any key to boot from the CD 訊息時，請勿按下任何按鍵。


- 6 在出現區域設定螢幕後，選擇您所在地區的設定，然後按一下**下一步**。
- 7 在個人化您的軟體螢幕中輸入您的姓名和組織 (選項)，然後按一下**下一步**。
- 8 在電腦名稱和管理員密碼視窗中，輸入您電腦的名稱 (或接受一個提供的名稱) 和密碼，然後按一下**下一步**。
- 9 如果數據機撥號資訊螢幕出現，輸入所需資訊並按一下**下一步**。
- 10 在日期和時間設定值視窗中輸入日期、時間和時區，然後按一下**下一步**。
- 11 如果網路設定值螢幕出現，請依次按一下**一般**和**下一步**。
- 12 如果您重新安裝 Windows XP Professional 且系統提示您提供有關網路組態的詳細資訊，請輸入您的選項。如果您不確定自己的設定，請接受預設選項。

Windows XP 將安裝作業系統元件並設定電腦。電腦將會自動重新啓動。

 **注意事項：**在螢幕上出現 Press any key to boot from the CD 訊息時，請勿按下任何按鍵。

- 13 在歡迎使用 Microsoft 螢幕出現時，按一下**下一步**。
- 14 在這台電腦要如何連線到網際網路？訊息出現時，按一下**跳過**。
- 15 在準備好向 Microsoft 註冊？螢幕出現時，選擇**否**，現在不並按一下**下一步**。
- 16 在這台電腦的使用者？螢幕出現時，您可以輸入最多五個使用者。
- 17 按一下**下一步**。


- 18 按一下**完成**以完成安裝，然後取出 CD。
- 19 使用驅動程式和公用程式 CD 重新安裝適當的驅動程式。
- 20 重新安裝防毒軟體。
- 21 重新安裝您的程式。

 **註：**若要重新安裝並啟動 Microsoft Office 或 Microsoft Works Suite 程式，您需要位於 Microsoft Office 或 Microsoft Works Suite CD 盒背面上的產品識別碼。

 **註：**如果您在電腦上安裝了唯一影像，或如果您必須重新安裝作業系統，則請執行 DSS 公用程式。DSS 可從驅動程式和公用程式 CD 及 support.dell.com 網站上取得。

使用驅動程式和公用程式 CD

若要在執行 Windows 作業系統時使用驅動程式和公用程式 CD (亦稱為 ResourceCD)，請執行下列步驟：

 **註：**若要存取裝置驅動程式和使用說明文件，必須在執行 Windows 時使用驅動程式和公用程式 CD。

- 1 開啓電腦電源並讓其啓動至 Windows 桌面。
- 2 將驅動程式和公用程式 CD 插入光碟機。
如果您第一次在此電腦上使用驅動程式和公用程式 CD，ResourceCD Installation (ResourceCD 安裝) 視窗將會開啓，並通知您驅動程式和公用程式 CD 即將開始安裝。
- 3 按一下**確定**以繼續進行操作。
若要完成安裝，請回應安裝程式所提供的提示。
- 4 在 Welcome Dell System Owner (歡迎 Dell 系統擁有者) 畫面上，按一下 Next (下一步)。
- 5 選擇適當的 System Model (系統機型)、Operating System (作業系統)、Device Type (裝置類型) 和 Topic (主題)。

用於您電腦的驅動程式

若要顯示用於電腦的裝置驅動程式清單，請：

- 1 在 Topic 下拉式功能表中按一下 My Drivers (我的驅動程式)。
驅動程式和公用程式 CD 將會掃描電腦中的硬體和作業系統，然後畫面上將會顯示適用於系統組態的裝置驅動程式清單。
- 2 按一下適當的驅動程式，然後按照說明將驅動程式下載到電腦中。

若要檢視電腦所有可用的驅動程式，請在 Topic 下拉式功能表中按一下 Drivers (驅動程式)。

索引

英文字母

CD

作業系統, 41

Dell

支援網站, 40

優先支援網站, 41

Dell Premier Support (Dell 優先支援) 網站, 39, 41

Dell 診斷程式, 52

IRQ 衝突, 59

Microsoft Windows 標籤, 40

ResourceCD

Dell 診斷程式, 52

Windows 2000

硬體疑難排解, 59

裝置管理員, 59

Windows XP

系統還原, 60

重新安裝, 62

硬體疑難排解, 59

說明及支援中心, 41

五劃

主機蓋

合上, 51

六劃

安全說明, 39

七劃

作業系統

CD, 41

安裝指南, 41

重新安裝 Windows XP, 62

作業系統 CD, 41

系統指示燈, 55

系統還原, 60

八劃

使用者指南, 40

服務標籤, 40

九劃

保固, 39

指示燈

系統, 55

診斷, 55-56

電源按鈕, 55

電腦正面, 55

電腦背面, 56

故障排除

Dell 診斷程式, 52

硬體疑難排解, 59

診斷指示燈, 55-56

說明及支援中心, 41

衝突, 59

還原至之前狀態, 60

重新安裝

ResourceCD, 39

Windows XP, 62

驅動程式和公用程式 CD, 39

十一劃

問題

Dell 診斷程式, 52

診斷指示燈, 55-56

嗶聲代碼, 58

衝突, 59

還原至之前狀態, 60

軟體

衝突, 59

十二劃

尋找資訊說明文件, 39

硬體

Dell 診斷程式, 52

嗶聲代碼, 58

衝突, 59

硬體疑難排解, 59

診斷

指示燈, 55-56

診斷指示燈, 55-56

診斷程式

Dell, 52

嗶聲代碼, 58

驅動程式和公用程式 CD, 39

十三劃

- 裝置管理員, 59
- 電源按鈕指示燈, 55
- 電腦
 - 合上主機蓋, 51
 - 嗶聲代碼, 58
 - 還原至之前狀態, 60

十四劃

- 嗶聲代碼, 58
- 說明及支援中心, 41
- 說明文件
 - ResourceCD, 39
 - 系統資訊指南, 39
 - 使用者指南, 40
 - 裝置, 39
 - 線上, 40-41

十五劃

- 標籤
 - Microsoft Windows, 40
 - 服務標籤, 40
- 衝突
 - 軟體和硬體不相容, 59

十六劃

- 錯誤訊息
 - 診斷指示燈, 55-56
 - 嗶聲代碼, 58

二十一劃

- 驅動程式
 - ResourceCD, 39
- 驅動程式和公用程式 CD, 39

Dell™ OptiPlex™ SX280

빠른 참조 안내서

주, 주의사항 및 주의



주: 주는 컴퓨터를 보다 효율적으로 사용할 수 있는 중요 정보를 제공합니다.



주의사항: 주의사항은 하드웨어의 손상 또는 데이터 유실 위험을 설명하며, 이러한 문제를 방지할 수 있는 방법을 알려줍니다.



주의: 주의는 위험한 상황, 심각한 부상 또는 사망할 우려가 있음을 알려줍니다.

Dell™ n Series 컴퓨터를 구입한 경우 본 설명서의 Microsoft® Windows® 운영 체제에 관련된 사항들은 적용되지 않습니다.

본 설명서에 수록된 정보는 사전 통보 없이 변경될 수 있습니다.

© 2004 Dell Inc. 저작권 본사 소유.

Dell Inc.의 사전 승인 없이 어떠한 경우에도 무단 복제하는 것을 엄격히 금합니다.

본 설명서에 사용된 상표: Dell, OptiPlex, DELL 로고는 Dell Inc.의 상표입니다. Microsoft 및 Windows는 Microsoft Corporation의 등록 상표입니다.

본 설명서에서 특정 회사의 표시나 제품 이름을 지칭하기 위해 기타 상표나 상호를 사용할 수도 있습니다. Dell Inc.은 자사가 소유하고 있는 것 이외에 기타 모든 등록 상표 및 상표 이름에 대한 어떠한 소유권도 없습니다.

모델 DCTR

2004년 4월 P/N X2955 Rev. A00

목차

정보 찾기	71
컴퓨터 정보	74
전면 보기	74
측면 보기	74
후면 보기	75
케이블 덮개 및 전원 어댑터	75
컴퓨터 설정	76
컴퓨터 위치 및 방향 결정	76
모듈 베이에 장치 설치	77
외장형 장치 연결	78
하드 드라이브 설치	81
케이블 덮개 (옵션) 부착	82
컴퓨터 내부	82
컴퓨터 덮개 분리	82
내부 보기	83
컴퓨터 덮개 다시 끼우기	84
문제 해결	84
Dell 진단 프로그램	85
전원 공급 장치 표시등	88
시스템 표시등	88
진단 표시등	89
경고음 코드	91
Dell™ IDE 하드 드라이브 진단 프로그램 실행	93
소프트웨어 및 하드웨어 비호환성 해결	93
Microsoft® Windows® XP 시스템 복원 사용	94
Microsoft® Windows® XP 재설치	95
드라이버 및 유틸리티 CD 사용	98
색인	99

정보 찾기

찾는 정보

- 내 컴퓨터 진단 프로그램
- 내 컴퓨터 드라이버
- 내 컴퓨터 설명서
- 내 장치 설명서
- 데스크탑 시스템 소프트웨어(DSS)

찾을 위치

드라이버 및 유틸리티 CD(ResourceCD라고도 함)

설명서와 드라이버는 이미 컴퓨터에 설치되어 있습니다. CD를 사용하여 드라이버 재설치, Dell 진단 프로그램 실행 또는 설명서에 액세스할 수 있습니다.



CD에 포함된 readme 파일은 컴퓨터의 기술 변경 사항과 관련된 최신 정보가 수록되어 있으며, 전문가와 숙련가를 대상으로 한 고급 기술 참조 자료입니다.

주: 최신 드라이버와 설명서 업데이트는 support.dell.com에서 제공됩니다.

- OS 업데이트 및 패치

데스크탑 시스템 소프트웨어(DSS)

드라이버 및 유틸리티 CD 및 support.dell.com에 있습니다.

- 보증 정보
- 안전 지침
- 규정사항
- 인체 공학에 관한 정보
- 최종 사용자 라이선스 계약

Dell™ 제품 정보 설명서



주: 본 설명서는 support.dell.com에서 PDF 파일로 볼 수 있습니다.

찾는 정보

- 부품 분리 및 교체 방법
- 기술 사양
- 시스템 설정 구성 방법
- 문제 해결 방법

- 서비스 태그 및 특급 서비스 코드
- Microsoft Windows 라이선스 레이블

- 내 컴퓨터 최신 드라이버
- 기술 서비스 및 지원 질문에 대한 답변
- 다른 사용자와의 온라인 토론 및 기술 지원
- 내 컴퓨터 설명서

찾을 위치**Dell OptiPlex™ 사용 설명서**

Microsoft® Windows® XP 도움말 및 지원 센터

1 시작 단추를 클릭한 다음 **도움말 및 지원**을 클릭하십시오.

2 사용 및 시스템 설명서를 클릭한 다음 **사용 설명서**를 클릭하십시오.

사용 설명서는 드라이버 및 유틸리티 CD에도 있습니다.

서비스 태그 및 Microsoft Windows 라이선스

이 레이블은 컴퓨터에 있습니다.

- **support.dell.com**에 접속하거나 기술 지원을 문의할 때 서비스 태그를 사용하여 컴퓨터를 확인하십시오.
- 기술 지원을 문의할 경우 특급 서비스 코드를 입력하면 빠르게 처리됩니다. 일부 국가에서는 특급 서비스 코드를 사용할 수 없습니다.

**Dell 지원 웹사이트 — support.dell.com**

주: 지역을 선택하면 해당하는 지원 사이트로 이동됩니다.

Dell 지원 웹사이트에는 다음과 같은 여러 온라인 서비스가 제공됩니다:

- Solutions — 참조 및 추가 정보, 기술 관련 기사 및 온라인 강좌
- Community — 다른 Dell 고객과 온라인 토론
- Upgrades — 메모리, 하드 드라이브, 운영 체제와 같은 구성요소 정보 업그레이드
- Customer Care — 연락처 정보, 주문 상태, 보증, 수리 정보
- Downloads — 드라이버, 패치, 소프트웨어 업데이트
- Reference — 컴퓨터 설명서, 제품 사양, 백서

찾는 정보

- 서비스 통화 상태 및 지원 내역
- 내 컴퓨터의 주요 기술 문제
- 자주 제기되는 질문(FAQ)
- 파일 다운로드
- 내 컴퓨터의 구성 세부사항
- 내 컴퓨터의 서비스 연락처

- Windows XP 사용 방법
- 내 컴퓨터 설명서
- 장치 설명서(예: 모뎀)

- 내 운영 체제 재설치 방법

찾을 위치**Dell 프리미어 지원 웹사이트 — premiersupport.dell.com**

Dell 프리미어 지원 웹사이트는 법인 단체, 공공 기관 및 교육 관련 기관 고객의 요구에 맞게 주문을 받아 제품을 판매하고 있습니다. 이 웹사이트는 일부 지역에서 사용할 수 없습니다.

Windows 도움말 및 지원 센터

- 1 시작 단추를 클릭한 다음 **도움말 및 지원**을 클릭하십시오.
- 2 문제를 설명해 주는 단어나 문장을 입력하고 화살표 아이콘을 클릭하십시오.
- 3 문제를 설명하는 항목을 클릭하십시오.
- 4 화면의 지시사항을 따르십시오.

운영 체제 CD

운영 체제는 이미 시스템에 설치되어 있습니다. 운영 체제를 다시 설치하려면 운영 체제 CD를 사용하십시오. 자세한 지침은 《OptiPlex 사용 설명서》를 참조하십시오.



운영 체제를 다시 설치한 다음, 드라이버 및 유틸리티 CD를 사용하여 컴퓨터와 함께 제공되는 장치에 맞는 드라이버를 다시 설치하십시오.

운영 체제 제품 키는 컴퓨터에 부착된 Windows 라이선스 레이블에 있습니다.



주: CD 색상은 주문한 운영 체제에 따라 다릅니다.

- 정규 모델 번호
- 새시 종류

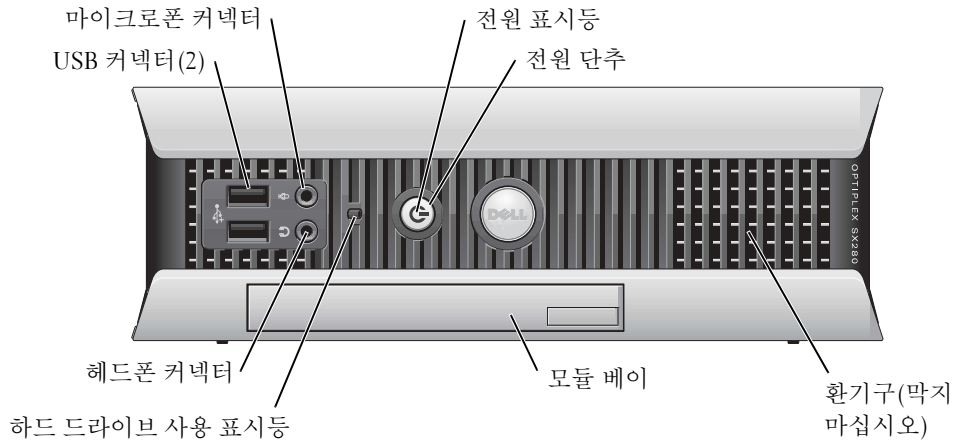
DCTR

초소형 폼 팩터(USFF) 새시

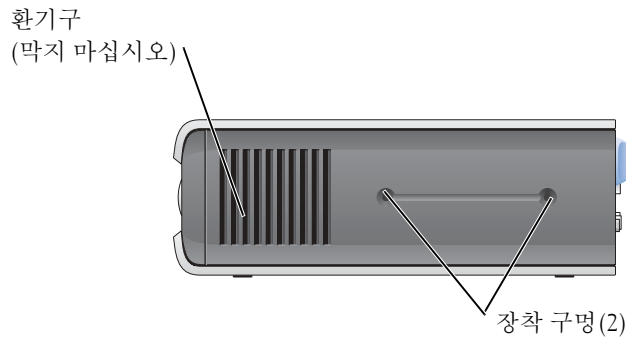
컴퓨터 정보

- 
주: 컴퓨터를 책상 밑 또는 벽면에 놓으려면 벽면 부착 브래킷(옵션)을 사용하십시오. 브래킷을 구입하려면 Dell에 문의하십시오. Dell에 문의하는 방법은 온라인 사용 설명서를 참조하십시오.
- 
주: 통풍이 잘 되도록 하려면 냉각 구멍을 막지 마십시오.

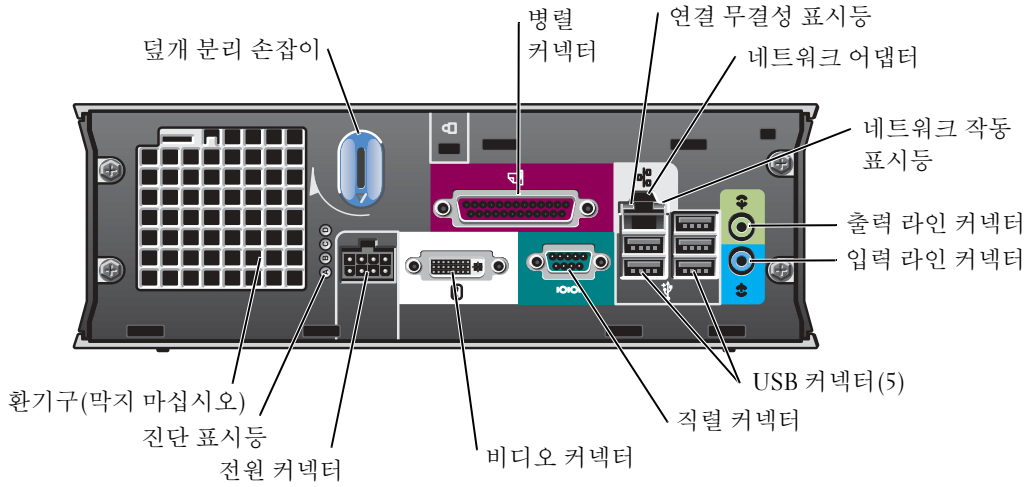
전면 보기



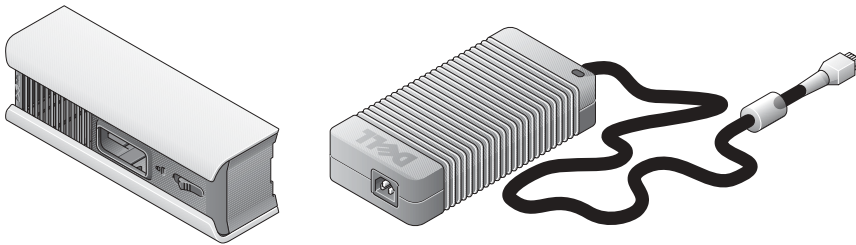
측면 보기



후면 보기



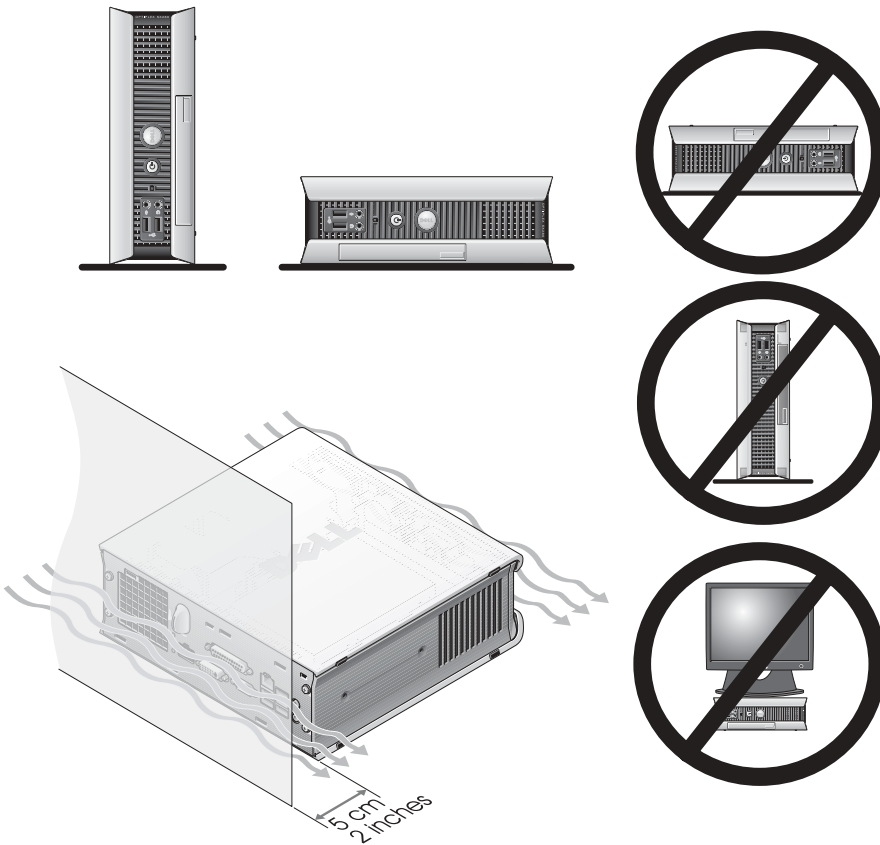
케이블 덮개 및 전원 어댑터



컴퓨터 설정

- ➡ **주의사항:** 컴퓨터를 설치할 때 케이블이 엉켜 발에 걸리거나 밟지 않도록 모든 케이블을 작업 영역 뒤쪽에 두십시오.
- ➡ **주의사항:** 컴퓨터가 과열되어 종료되는 것을 방지하려면 통풍이 되지 않는 곳에 컴퓨터를 두지 마십시오.
- 📌 **주:** 하드 드라이브 없이 컴퓨터를 주문한 경우 컴퓨터 내부에 포함된 드라이브 레일을 사용하여 드라이브를 설치할 수 있습니다(81페이지의 「하드 드라이브 설치」 참조).

컴퓨터 위치 및 방향 결정



- ➡ **주의사항:** 컴퓨터 위에 모니터를 올려 놓지 마십시오. 모니터 받침대를 사용하십시오.

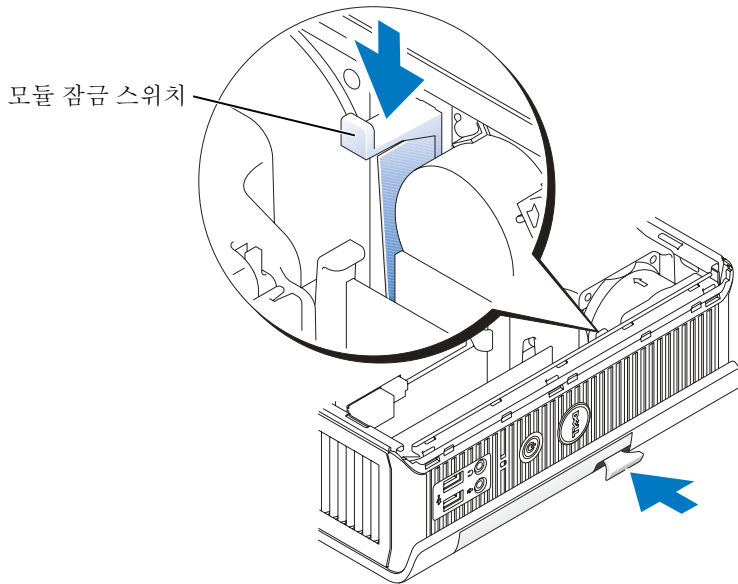
- ➡ **주의사항:** 컴퓨터를 거꾸로 놓지 마십시오.
- ➡ **주의사항:** 진동이 심한 곳이나 평면 또는 벽면에 컴퓨터를 설치하는 경우 벽면 부착 브래킷 (옵션)을 사용하십시오. 브래킷을 구입하려면 Dell에 문의하십시오. Dell에 문의하는 방법은 온라인 사용 설명서를 참조하십시오.
- 🔧 **주:** 통풍이 잘 되도록 하려면 벽에서 5cm(2인치) 이상 떨어진 곳에 컴퓨터를 놓으십시오. 통풍이 되지 않는 밀폐된 곳에 컴퓨터를 두지 마십시오.

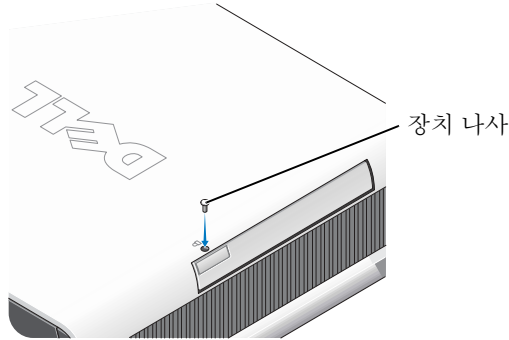
모듈 베이에 장치 설치

모듈 베이에 플로피 드라이브, CD/DVD 드라이브, 보조 하드 드라이브와 같은 Dell™ 분리형 장치를 설치할 수 있습니다. Dell 컴퓨터의 모듈 베이에는 CD/DVD 드라이브 또는 에어베이 (필러 블랭크)가 설치되어 있습니다.

보안 기능으로 컴퓨터에는 모듈 베이의 장치를 고정하기 위한 모듈 잠금 스위치가 설치되어 있습니다. 스위치에 접근하려면 컴퓨터 덮개를 분리하십시오(82페이지의 「컴퓨터 덮개 분리」 참조).

추가 보안 기능으로 컴퓨터에 함께 제공된 장치 나사를 사용하여 모듈 베이의 장치를 고정할 수도 있습니다(별도 포장).





외장형 장치 연결

⚠ 주의: 이 항목의 절차를 수행하기 전에 《제품 정보 설명서》에 있는 안전 지침을 따르십시오.

컴퓨터를 올바르게 설치하려면 모든 단계를 완료해야 합니다. 해당 그림을 참조하여 지침을 따르십시오.

- 1 컴퓨터 후면에 있는 USB 커넥터를 사용하여 키보드와 마우스를 연결하십시오.
- 2 모뎀 또는 네트워크 케이블을 연결하십시오.

➡ 주의사항: 네트워크 케이블을 연결하려면 먼저 케이블을 네트워크 벽면 잭에 끼운 다음 컴퓨터에 끼우십시오.

네트워크 커넥터에 전화선 말고 네트워크 케이블을 연결하십시오. 모뎀 옵션이 있는 경우 모뎀을 전화선에 연결하십시오.

➡ 주의사항: 모뎀 케이블을 네트워크 어댑터에 연결하지 마십시오. 전화기의 전압 때문에 네트워크 어댑터가 손상될 수 있습니다.

- 3 모니터를 연결하십시오.

커넥터 핀이 휘어지지 않도록 모니터 케이블을 조심스럽게 넣으십시오. 케이블 커넥터의 손잡이 나사를 조이십시오.

🔍 주: 일부 모니터의 비디오 커넥터는 화면의 뒤쪽 밑에 있습니다. 커넥터 위치는 모니터와 함께 제공된 설명서를 참조하십시오.

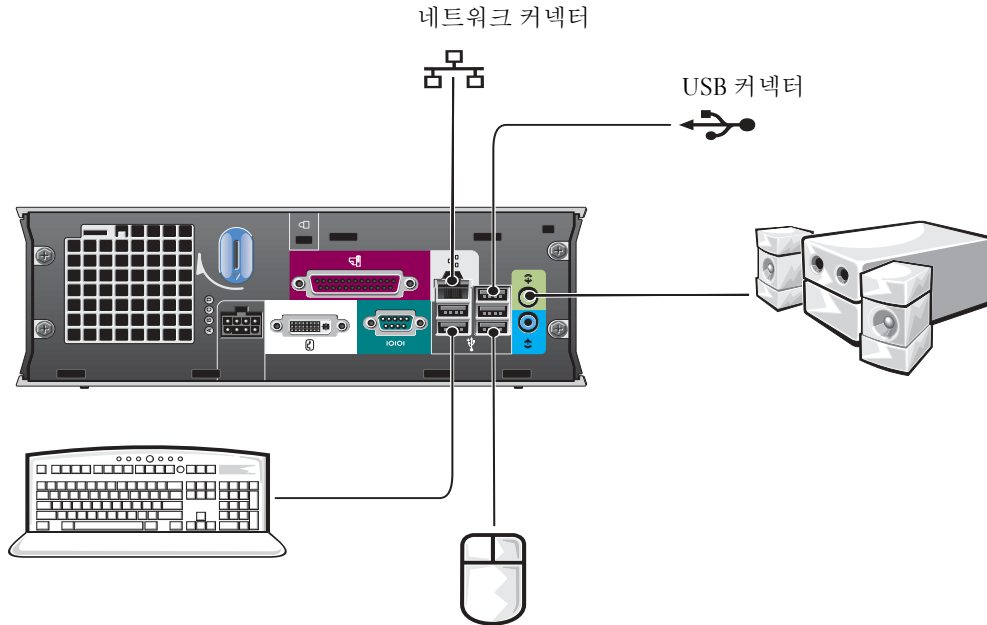
- 4 스피커를 연결하십시오.

- 5 컴퓨터, 모니터 및 기타 장치에 전원 케이블을 연결하고 전원 케이블의 다른 끝을 전원 콘센트에 꽂으십시오.

6 전원 단추를 눌러 컴퓨터와 모니터를 켜십시오.

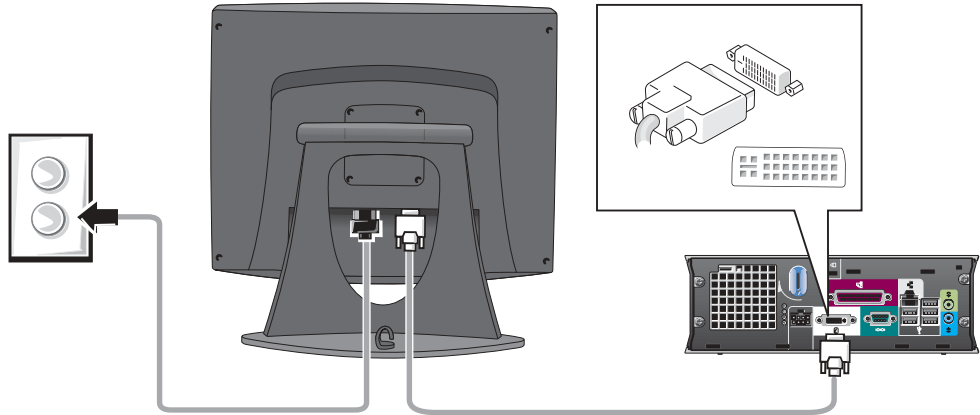
주: 컴퓨터와 함께 제공되지 않은 장치나 소프트웨어를 설치하기 전에 해당 소프트웨어나 장치와 함께 제공된 설명서를 읽어 보거나 판매업체에 문의하여 해당 소프트웨어나 장치가 자신의 컴퓨터 및 운영 체제와 호환되는지 확인하십시오.

주: 사용자의 컴퓨터는 다음 설치 그림과 약간 다를 수 있습니다.



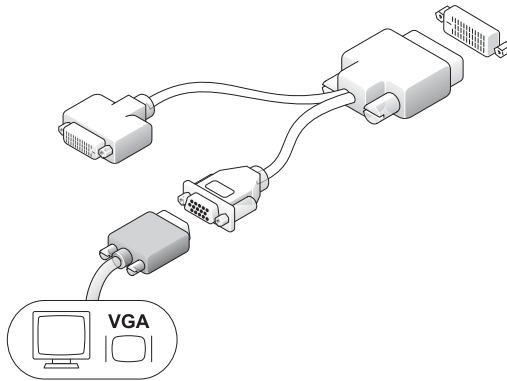
DVI 모니터 연결

DVI-호환 모니터가 있는 경우 모니터 케이블을 컴퓨터 후면 패널의 흰색 DVI 디스플레이 커넥터에 연결하십시오.



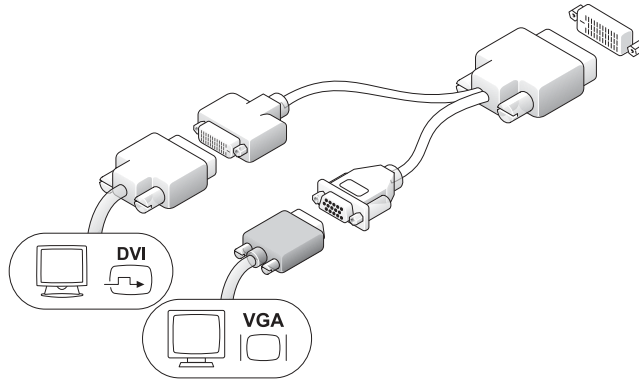
VGA 모니터 연결

VGA-호환 모니터가 있는 경우 어댑터 케이블을 사용하여 모니터 케이블을 컴퓨터 후면 패널의 흰색 DVI 디스플레이 커넥터에 연결하십시오.



모니터 2개 연결

어댑터 케이블을 사용하여 VGA 모니터와 DVI 모니터를 모두 컴퓨터 후면 패널의 흰색 DVI 디스플레이 커넥터에 연결하십시오.



하드 드라이브 설치

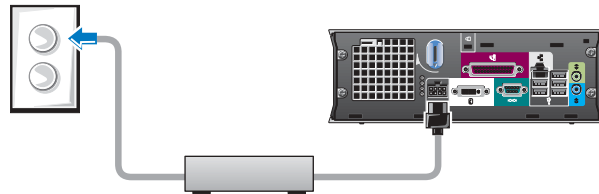
⚠ 주의: 이 항목의 절차를 수행하기 전에 《제품 정보 설명서》에 있는 안전 지침을 따르십시오.

- 1 새 드라이브를 설치하는 경우 덮개 안쪽에 장착된 드라이브 레일을 새 드라이브에 연결하십시오.
- 2 데이터 및 전원 케이블을 핀이 구부러지지 않도록 주의하면서 하드 드라이브 커넥터에 연결하십시오.
- 3 하드 드라이브를 브래킷에 밀어 넣으십시오.

AC 어댑터 연결

⚠ 주의: 이 항목의 절차를 수행하기 전에 《제품 정보 설명서》에 있는 안전 지침을 따르십시오.

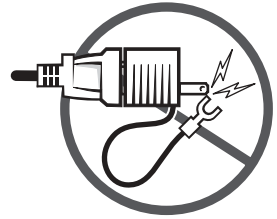
- 1 전원 어댑터를 컴퓨터 후면의 커넥터에 연결하십시오. 래치가 완전히 걸렸는지 살펴면서 연결이 고정되었는지 확인하십시오 ('딸각' 소리가 나거나 걸림이 느껴집니다).
- 2 전원 케이블을 전원 어댑터에 연결하십시오.
- 3 컴퓨터 전원 케이블 커넥터에 접지선이 있고 이를 연결하려면 4 단계를 계속 진행하십시오. 그렇지 않은 경우 5단계로 가십시오.



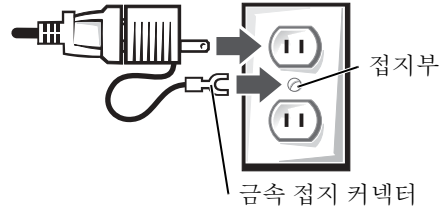
⚠ 주의: 전원 코드 또는 어댑터에 전원 콘센트에 연결할 수 있는 녹색 접지선이 있는 경우 녹색 접지선과 전원 도선이 닿으면 감전, 화재가 발생하거나 컴퓨터가 손상될 수 있으므로 닿지 않게 하십시오(다음 그림 참조).

4 금속 접지 커넥터를 콘센트의 접지부에 연결하십시오(다음 그림 참조):

- a 접지부를 느슨하게 하십시오.
- b 접지부 뒤로 금속 접지 커넥터를 밀어 넣고 접지부를 조이십시오.

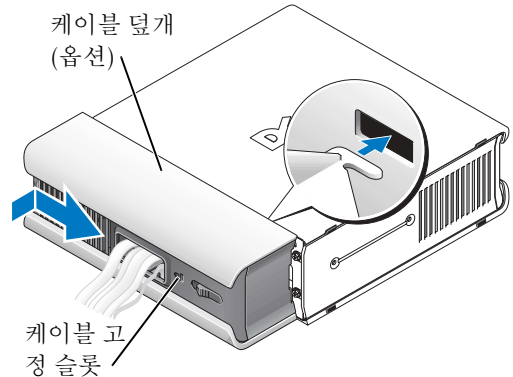


5 AC 전원 케이블을 콘센트에 연결하십시오



케이블 덮개(옵션) 부착

- 1 외부 장치 케이블이 모두 케이블 덮개 구멍을 통해 컴퓨터 후면 패널에 연결되었는지 확인하십시오.
- 2 케이블 덮개 아래 부분을 잡고 4개의 탭을 컴퓨터의 후면 패널에 있는 4개의 슬롯에 맞추십시오.
- 3 탭을 슬롯에 끼우고 케이블 덮개가 제자리에 완전히 고정될 때까지 진단 표시등 방향으로 밀어 넣으십시오(그림 참조).
- 4 고정 케이블 슬롯에 고정 장치를 설치하십시오(옵션).



컴퓨터 내부

컴퓨터 덮개 분리

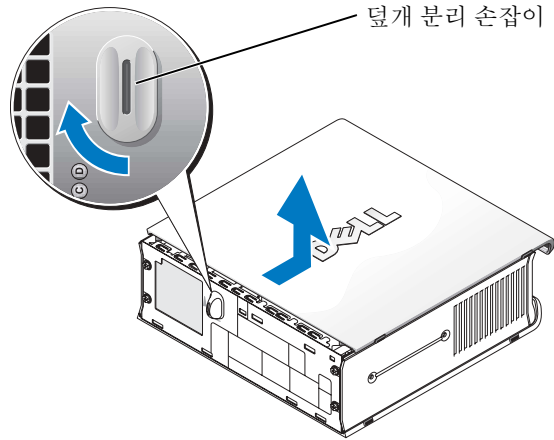
⚠ 주의: 이 항목의 절차를 수행하기 전에 《제품 정보 설명서》에 있는 안전 지침을 따르십시오.

⚠ 주의: 전기 충격을 방지하려면 덮개를 열기 전에 항상 컴퓨터를 전원 어댑터에서 분리해놓으십시오.

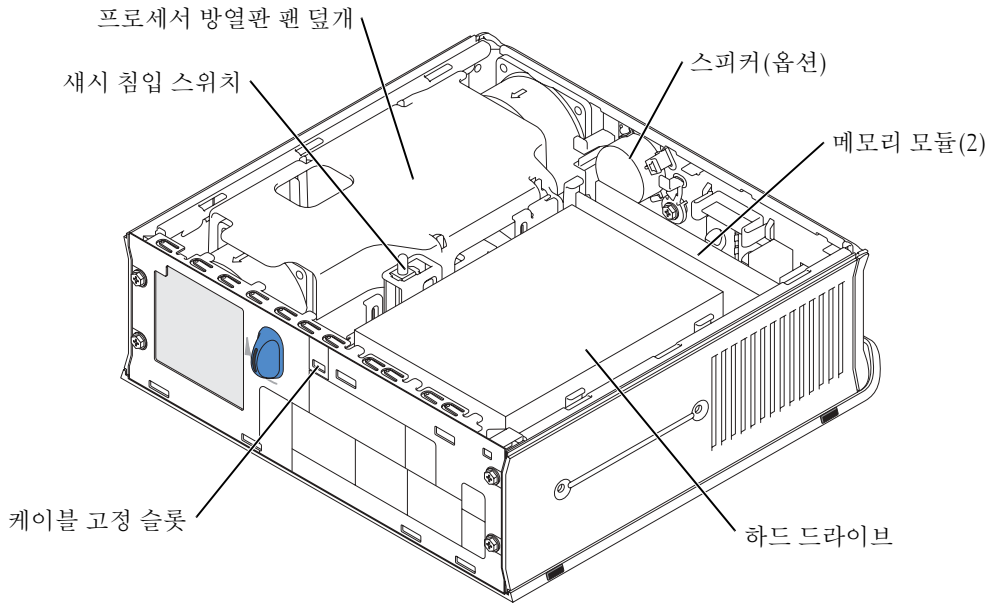


주의: 컴퓨터 내부 구성요소의 정전기를 방지하려면 전기적 구성요소를 만지기 전에 사용자 몸의 정전기를 제거하십시오. 새시의 도색되어 있지 않은 금속 표면을 만져 사용자 몸에 있는 정전기를 제거하십시오.

- 1 컴퓨터 덮개를 분리하십시오.
 - a 덮개 분리 손잡이를 그림과 같이 시계 방향으로 돌리십시오.
 - b 컴퓨터 덮개를 앞쪽으로 1cm(0.5인치) 정도 또는 멈출 때까지 밀고 덮개를 들어 올리십시오.



내부 보기



컴퓨터 덮개 다시 끼우기

⚠ 주의: 이 항목의 절차를 수행하기 전에 《제품 정보 설명서》에 있는 안전 지침을 따르십시오.

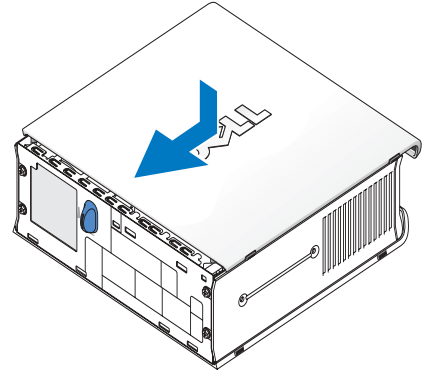
- 1 덮개를 다시 끼우십시오:
 - a 덮개를 컴퓨터의 금속 프레임에 맞추십시오.
 - b 딸각하는 소리가 나거나 걸리는 느낌이 들 때까지 덮개를 밀어 넣으십시오.
- 2 컴퓨터를 전원 어댑터에 연결하고 장치를 전원 콘센트에 연결한 다음 전원을 켜십시오.

새시 침입 탐지기 On으로 설정되어 있을 경우 다음에 컴퓨터를 시동하면 화면에 다음 메시지가 나타납니다.

Alert! Cover was previously removed.

- 3 시스템 설치 프로그램을 시작하고 **Intrusion Status** 옵션에서 **Clear**를 선택하여 새시 침입 상태를 삭제하십시오. 새시 침입 탐지기에 대한 자세한 내용은 온라인 사용 설명서를 참조하십시오.

주: 다른 사람이 관리자 암호를 지정한 경우 네트워크 관리자에게 새시 침입 탐지기 재설정에 대한 정보를 문의하십시오.



문제 해결

Dell은 컴퓨터가 제대로 작동하지 않을 때 문제 해결에 도움이 되는 여러 도구를 제공합니다. 최신 문제 해결 정보는 Dell 지원 웹사이트(support.dell.com)를 참조하십시오.


컴퓨터에 문제가 발생하여 Dell의 도움이 필요하면 오류, 경고음 코드 또는 진단 표시등 유형에 관한 자세한 내용을 기록하고, 특급 서비스 코드와 서비스 태그를 아래 부분에 적은 다음 해당 지역의 Dell 지원부로 문의하십시오.

특급 서비스 코드 및 서비스 태그 예는 71페이지의 「정보 찾기」를 참조하십시오.

특급 서비스 코드: _____


서비스 태그: _____

Dell 진단 프로그램

 **주의:** 이 항목의 절차를 수행하기 전에 《제품 정보 설명서》에 있는 안전 지침을 따르십시오.

Dell 진단 프로그램 사용 시기

컴퓨터에 문제가 발생하면 Dell에 기술 지원을 문의하기 전에 76페이지의 「컴퓨터 설정」의 점검 사항을 수행하고 Dell 진단 프로그램을 실행하십시오.


 **주의사항:** Dell 진단 프로그램은 Dell™ 컴퓨터에서만 실행됩니다.

System Setup 프로그램을 시작하고 컴퓨터 구성 정보를 재검토한 다음 검사할 장치가 System Setup 프로그램에 표시되고 활성화되어 있는지 확인하십시오. System Setup 프로그램에 대한 자세한 내용은 온라인 사용 설명서를 참조하십시오.

하드 드라이브(85페이지의 「하드 드라이브에서 Dell 진단 프로그램 실행」 참조) 또는 드라이버 및 유틸리티 CD(ResourceCD라고도 함 - 85페이지의 「드라이버 및 유틸리티 CD에서 Dell 진단 프로그램 실행」 참조)에서 Dell 진단 프로그램을 실행하십시오.

하드 드라이브에서 Dell 진단 프로그램 실행

- 1 컴퓨터를 켜거나 재시작하십시오.
- 2 Dell™ 로고가 나타나면 즉시 <F12>를 누르십시오.

 **주:** Diagnostics 유틸리티 파티션을 찾을 수 없다는 메시지가 나타나면 85페이지의 「드라이버 및 유틸리티 CD에서 Dell 진단 프로그램 실행」을 참조하십시오.


시간이 초과되어 운영 체제 로고가 나타나면 Microsoft® Windows® 바탕 화면이 표시될 때까지 기다리십시오. 그런 다음 컴퓨터를 종료한 후 다시 시작해보십시오. 컴퓨터 종료에 대한 자세한 내용은 온라인 사용 설명서를 참조하십시오.

- 3 부팅 장치 목록이 표시되면 **Boot to Utility Partition**을 선택하고 <Enter>를 누르십시오.
- 4 Dell 진단 프로그램 **Main Menu**가 나타나면 실행할 검사를 선택하십시오(86페이지 참조).

드라이버 및 유틸리티 CD에서 Dell 진단 프로그램 실행

- 1 드라이버 및 유틸리티 CD를 넣으십시오.
- 2 컴퓨터를 종료하고 재시작하십시오.
DELL 로고가 나타나면 즉시 <F12>를 누르십시오.

시간이 초과되어 Windows 로고가 나타나면 Windows 바탕 화면이 표시될 때까지 기다리십시오. 그런 다음 컴퓨터를 종료한 후 다시 시작해보십시오.

 **주:** 이 경우에는 부팅 순서가 한번만 변경됩니다. 이후에 컴퓨터를 부팅하면 System Setup 프로그램에 지정된 장치 순서대로 부팅됩니다.

- 3 부팅 장치 목록이 나타나면 **Onboard or USB CD-ROM**을 선택한 다음 <Enter>를 누르십시오.
- 4 CD 부팅 메뉴에서 **Onboard or USB CD-ROM Device**를 선택하십시오.
- 5 나타나는 메뉴에서 **Boot from CD-ROM** 옵션을 선택하십시오.
- 6 1을 입력하여 ResourceCD 메뉴를 실행하십시오.
- 7 2를 입력하여 Dell 진단 프로그램을 실행하십시오.
- 8 번호가 지정된 목록에서 **Run the 32 Bit Dell Diagnostics**를 선택하십시오. 목록에 여러 버전이 표시되면 자신의 컴퓨터에 해당하는 버전을 선택하십시오.
- 9 Dell 진단 프로그램 **Main Menu**가 나타나면 실행할 검사를 선택하십시오(86페이지 참조).

Dell 진단 프로그램 기본 메뉴

- 1 Dell 진단 프로그램이 로드되고 **Main Menu** 화면이 나타나면 원하는 옵션 단추를 클릭하십시오.

옵션	기능
Express Test	장치를 빠르게 검사합니다. 이 검사는 일반적으로 10분에서 20분 소요되며 사용자가 개입하지 않아도 됩니다. 문제를 신속하게 추적하려면 Express Test 를 실행하십시오.
Extended Test	장치를 전체적으로 검사합니다. 이 검사는 일반적으로 1시간 이상 소요되며 사용자는 주기적으로 질문에 응답해야 합니다.
Custom Test	특정 장치를 검사합니다. 실행할 검사를 사용자가 지정할 수 있습니다.
Symptom Tree	가장 일반적으로 발생하는 증상을 나열하며 문제의 증상에 따라 검사를 선택할 수 있습니다.

- 2 검사 도중 문제가 발견되면 오류 코드와 문제 설명이 메시지에 함께 표시되어 나타납니다. 오류 코드와 문제 설명을 기록해 두고 화면의 지시사항을 따르십시오.

오류 상태를 해결할 수 없는 경우 Dell에 문의하십시오.



주: 컴퓨터의 서비스 태그는 각 검사 화면 상단에 표시됩니다. Dell에 문의할 경우 기술 지원부에서 서비스 태그를 묻습니다.

3 Custom Test 또는 Symptom Tree 옵션에서 검사를 실행할 경우 다음 표에서 설명하는 적용 가능한 탭을 클릭하여 추가 정보를 얻으십시오.

탭	기능
Results	검사 결과 및 발견된 오류 상태를 표시합니다.
Errors	발견된 오류 상태, 오류 코드 및 문제 설명을 표시합니다.
Help	검사를 설명하고 검사 실행에 필요한 요구사항을 표시할 수 있습니다.
Configuration	선택한 장치에 대한 하드웨어 구성을 나타냅니다. Dell 진단 프로그램은 System Setup 프로그램, 메모리 및 각종 내부 검사를 통해 구성 정보를 수집하고 이를 화면의 왼쪽 창에 있는 장치 목록에 표시합니다. 장치 목록에는 컴퓨터에 설치된 일부 구성요소 이름이나 컴퓨터에 장착된 일부 장치가 표시되지 않을 수 있습니다.
Parameters	검사 설정을 변경하여 사용자가 검사를 지정할 수 있습니다.

- 4** 검사가 완료되면, 드라이버 및 유틸리티 CD에서 Dell 진단 프로그램을 실행하고 있는 경우 CD를 꺼내십시오.
- 5** 검사 화면을 닫고 **Main Menu** 화면으로 복귀하십시오. Dell 진단 프로그램을 종료하고 컴퓨터를 재시작하려면 **Main Menu** 화면을 닫으십시오.

전원 공급 장치 표시등

표시등 상태	PSU 상태	설명	문제 해결
꺼짐	AC 전원이 없거나 장애가 발생했습니다.	전원 공급 장치가 전원 콘센트로부터 전원을 공급받고 있지 않거나 장애로 인해 전원 공급 장치가 꺼져 있음을 나타냅니다.	스탠드와 같은 다른 장치를 연결하여 전원 콘센트에 아무 이상이 없는지 검사하십시오. AC 전원 케이블이 전원 공급 장치에 제대로 장착되었는지 확인하십시오. 필요에 따라 AC 케이블을 전원 공급 장치에 다시 장착하십시오. 최소한 10초 동안 전원 공급 장치에서 AC 전원 케이블을 분리하고 컴퓨터에서 DC 케이블을 분리하십시오. AC 전원 케이블을 전원 공급 장치에 다시 연결하십시오. 전원 공급 장치의 표시등이 황색으로 켜져야 합니다. DC 케이블을 컴퓨터에 다시 연결하십시오. 전원 공급 장치의 표시등이 녹색으로 켜져야 합니다.
황색	AC 전원은 있지만 연결되어 있지 않습니다.	전원 공급 장치가 제대로 작동하는 전원 콘센트에 연결되었지만 컴퓨터에 연결되지 않았음을 나타냅니다.	전원 공급 장치가 컴퓨터에 완전히 꽂혀서 고정 래치가 맞물리는지 확인하십시오. 필요에 따라 다시 연결하십시오.
녹색	AC 전원이 있고 연결되어 있습니다.	전원 공급 장치가 전원 콘센트로부터 전원을 공급받는 중이며 컴퓨터에 제대로 연결되었음을 나타냅니다.	전원 단추 표시등을 점검하고 88페이지의 「시스템 표시등」을 참조하십시오.


시스템 표시등

전원 단추 표시등 및 하드 드라이브 표시등은 컴퓨터에 문제가 발생했음을 알려줍니다.

전원 표시등	문제 설명	권장 조치사항
POST 도중 녹색 전원 표시등이 켜지고 경고음은 발생하지 않지만 시스템이 잠김	내장형 시스템 보드 장치에 결함이 있는 것 같습니다.	89페이지의 「진단 표시등」을 점검하여 특별한 문제가 있는지 확인하십시오. 문제가 식별되지 않으면 Dell에 문의하여 기술 지원을 요청하십시오.

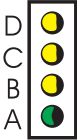
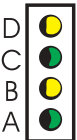
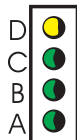
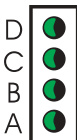
전원 표시등	문제 설명	권장 조치사항
POST 도중 녹색 전원 표시등이 켜지고 경고음은 발생하지 않으며 화면이 보이지 않음	모니터에 결함이 있거나 올바르게 설치되지 않았습니다.	89페이지의 「진단 표시등」을 점검하여 특별한 문제가 있는지 확인하십시오.
POST 도중 녹색이 켜지고 경고음 발생	BIOS 실행 도중 문제가 발견되었습니다.	93페이지의 「Dell™ IDE 하드 드라이브 진단 프로그램 실행」에서 경고음 코드 진단에 대한 내용을 참조하십시오. 또한 진단 표시등을 점검하여 특별한 문제가 있는지 확인하십시오.
황색이 켜짐	Dell 진단 프로그램에서 검사를 실행 중이거나, 시스템 보드의 장치에 결함이 있거나 제대로 설치되어 있지 않습니다.	Dell 진단 프로그램이 실행 중인 경우 검사를 완료하십시오. 89페이지의 「진단 표시등」을 점검하여 특별한 문제가 있는지 확인하십시오. 컴퓨터가 부팅되지 않으면 Dell에 문의하여 기술 지원을 요청하십시오.
녹색이 깜빡거리다가 꺼짐	구성 오류가 있습니다.	89페이지의 「진단 표시등」을 점검하여 특별한 문제가 있는지 확인하십시오.
녹색이 깜빡거림	컴퓨터가 일시 중지 상태입니다 (Microsoft® Windows® 2000, Windows XP).	전원 단추를 눌러 컴퓨터 작동을 재개하십시오.
녹색이 켜짐	전원이 켜져 있고 컴퓨터가 정상적으로 작동합니다.	해결 조치를 취할 필요가 없습니다.

진단 표시등

 **주의:** 이 항목의 절차를 수행하기 전에 《제품 정보 설명서》에 있는 안전 지침을 따르십시오.

후면 패널에는 "A", "B", "C", "D"로 표시된 4개의 표시등이 있으며 문제를 해결하는 데 도움이 됩니다(75페이지 참조). 이 표시등의 색상은 황색 또는 녹색입니다. 컴퓨터가 정상적으로 시작되면 부팅 과정이 완료될 때 표시등의 패턴이나 코드가 변경됩니다. 시스템 부팅 과정에서 POST가 성공적으로 완료되면 4개의 표시등이 모두 녹색으로 표시됩니다. POST 과정 동안 컴퓨터에 이상이 생기면 표시등에 표시된 패턴을 통해 컴퓨터가 중단된 원인을 알 수 있습니다.

표시등 패턴	문제 설명	권장 조치사항
	꺼짐 꺼짐 꺼짐 꺼짐 컴퓨터가 정상적으로 꺼진 상태이거나 BIOS 오류 발생 가능 상태입니다.	컴퓨터를 전원 콘센트에 연결하고 전원 단추를 누르십시오.
	녹색 노란색 노란색 노란색 BIOS에 오류가 있거나 컴퓨터가 복구 모드 상태입니다.	BIOS 복구 유틸리티를 실행한 후 복구가 완료 될 때까지 기다린 다음 컴퓨터를 재시작하여 다시 검사하십시오.
	노란색 녹색 노란색 노란색 프로세서 오류가 발생했습니다.	프로세서를 다시 설치하고 컴퓨터를 다시 시작하십시오. 프로세서를 다시 설치하는 방법은 온라인 사용 설명서를 참조하십시오.
	녹색 녹색 노란색 노란색 메모리 모듈은 감지되었지만 메모리에 오류가 발생했습니다.	<ul style="list-style-type: none"> • 한 개의 메모리 모듈이 설치되어 있는 경우 다시 설치한 다음 컴퓨터를 재시작하십시오. 메모리 모듈을 다시 설치하는 방법은 온라인 사용 설명서를 참조하십시오. • 두 개의 메모리 모듈이 설치되어 있는 경우 모듈을 모두 분리하고 한 개의 모듈을 다시 설치한 다음 컴퓨터를 재시작하십시오. 컴퓨터가 정상적으로 시작되면 다른 모듈도 다시 설치하십시오. • 가능하면 올바르게 작동하는 동일한 종류의 메모리를 컴퓨터에 설치하십시오. • 문제가 지속되면 Dell에 문의하십시오.
	노란색 녹색 녹색 노란색 플로피 또는 하드 드라이브 오류가 발생했습니다.	전원 케이블과 데이터 케이블을 다시 연결하고 컴퓨터를 재시작하십시오.
	녹색 녹색 녹색 노란색 USB 오류가 발생했습니다.	모든 USB 장치를 다시 설치하고 케이블의 연결 상태를 확인한 다음 컴퓨터를 재시작하십시오.

표시등 패턴	문제 설명	권장 조치사항
	노란색 메모리 모듈이 감지되지 않습니다. 노란색 노란색 노란색 녹색	<ul style="list-style-type: none"> • 한 개의 메모리 모듈이 설치되어 있는 경우 다시 설치한 다음 컴퓨터를 재시작하십시오. 메모리 모듈 재설치에 대한 자세한 내용은 온라인 《사용 설명서》를 참조하십시오. • 두 개의 메모리 모듈이 설치되어 있는 경우 모듈을 모두 분리하고 한 개의 모듈을 다시 설치한 다음 컴퓨터를 재시작하십시오. 컴퓨터가 정상적으로 시작되면 다른 모듈도 다시 설치하십시오. • 가능하면 올바르게 작동하는 동일한 종류의 메모리를 컴퓨터에 설치하십시오. • 문제가 지속되면 Dell에 문의하십시오.
	노란색 메모리 모듈이 감지되었지만 메모리 녹색 구성이나 호환성 오류가 있습니다. 노란색 노란색 녹색	<ul style="list-style-type: none"> • 요구사항에서 특수한 메모리 모듈/메모리 커넥터를 배치해야 하는지 확인하십시오. 메모리 모듈에 대한 자세한 내용은 온라인 사용 설명서를 참조하십시오. • 설치할 메모리 모듈이 컴퓨터와 호환되는지 확인하십시오. • 문제가 지속되면 Dell에 문의하십시오.
	노란색 부팅하기 전에 오류가 발생했습니다. 녹색 녹색 녹색 녹색	<ul style="list-style-type: none"> • 케이블이 시스템 보드와 하드 드라이브, CD 드라이브 및 DVD 드라이브를 제대로 연결하고 있는지 확인하십시오. • 모니터 화면에 표시된 컴퓨터 메시지를 확인하십시오. • 문제가 지속되면 Dell에 문의하십시오.
	녹색 POST 후에 컴퓨터가 정상적인 작동 녹색 상태입니다. 녹색 녹색	조치할 사항 없음.

경고음 코드

모니터에 오류나 문제를 표시할 수 없는 경우 컴퓨터를 시작할 때 일련의 경고음이 발생합니다. 경고음 코드로 문제를 식별할 수 있습니다. 예를 들어, 한 번의 경고음이 울리고 세 번 경고음이 울린 다음 다시 한 번 더 경고음이 울리면(코드 1-3-1), 컴퓨터에 메모리 문제가 발생했다는 것을 뜻합니다.

컴퓨터를 시작할 때 경고음이 발생하는 경우:

- 1 경고음 코드를 적어 두십시오.
- 2 85페이지의 「Dell 진단 프로그램」을 참조하여 심각한 문제인지 확인하십시오.
- 3 Dell에 문의하여 기술 지원을 요청하십시오.

코드	원인	코드	원인
1-1-2	마이크로프로세서 레지스터 오류	3-3-4	비디오 메모리 검사 실패
1-1-3	NVRAM 읽기/쓰기 오류	3-4-1	화면 초기화 오류
1-1-4	ROM BIOS 검사 합계 오류	3-4-2	화면 재추적 오류
1-2-1	프로그램가능 간격 타이머 오류	3-4-3	비디오 ROM 검색 오류
1-2-2	DMA 초기화 오류	4-2-1	타이머 신호 없음
1-2-3	DMA 페이지 레지스터 읽기/쓰기 오류	4-2-2	종료 오류
1-3	비디오 메모리 검사 실패	4-2-3	게이트 A20 오류
1-3-1 ~ 2-4-4	메모리를 제대로 인식할 수 없거나 사용할 수 없음	4-2-4	보호 모드에서의 예상치 못한 인터럽트 발생
3-1-1	슬레이브(중) DMA 레지스터 오류	4-3-1	0FFFFh보다 상위 주소에서의 메모리 오류
3-1-2	마스터(주) DMA 레지스터 오류	4-3-3	타이머 칩 카운터 2 오류
3-1-3	마스터(주) 인터럽트 마스크 레지스터 오류	4-3-4	날짜 클럭 정지
3-1-4	슬레이브(중) 인터럽트 마스크 레지스터 오류	4-4-1	직렬 또는 병렬 포트 검사 오류
3-2-2	인터럽트 벡터 로드 오류	4-4-2	새도우 메모리에 코드 압축 해제 실패
3-2-4	키보드 컨트롤러 검사 실패	4-4-3	산술 연산 보조 프로세서 검사 실패
3-3-1	NVRAM 전원 손실	4-4-4	캐쉬 검사 오류
3-3-2	잘못된 NVRAM 구성		

Dell™ IDE 하드 드라이브 진단 프로그램 실행

Dell IDE 하드 드라이브 진단 프로그램은 하드 드라이브 문제를 해결하거나 고장 여부를 확인하기 위해 하드 드라이브를 검사하는 유틸리티입니다.

- 1 컴퓨터를 켜십시오.(컴퓨터가 켜져 있으면 재시작하십시오).
- 2 화면 우측 상단 구석에 F2 = Setup이 나타나면, <Ctrl><Alt><D>를 누르십시오.
- 3 화면의 지시사항을 따르십시오.

하드 드라이브가 고장난 경우 《사용 설명서》에서 「하드 드라이브 문제」를 참조하십시오.

소프트웨어 및 하드웨어 비호환성 해결

운영 체제를 설치하는 도중 장치가 감지되지 않거나 감지되지만 제대로 구성되지 않은 경우 하드웨어 문제 해결사를 사용하여 비호환성을 해결할 수 있습니다. 운영 체제가 Microsoft® Windows® 2000인 경우 장치 관리자를 사용하여 해결할 수도 있습니다.

Windows XP

하드웨어 문제 해결사를 사용하여 비호환성을 해결하려면:

- 1 시작 단추를 클릭한 다음 **도움말 및 지원**을 클릭하십시오.
- 2 검색 필드에 하드웨어 문제 해결사를 입력하고 화살표를 클릭하여 검색을 시작하십시오.
- 3 검색 결과 목록에서 **하드웨어 문제 해결사**를 클릭하십시오.
- 4 **하드웨어 문제 해결사** 목록에서 **컴퓨터의 하드웨어 충돌을 해결해야 합니다**를 클릭하고 **다음**을 클릭하십시오.

Windows 2000

장치 관리자를 사용하여 비호환성을 해결하려면:

- 1 시작 단추를 클릭하고 **설정**을 지정한 다음 **제어판**을 클릭하십시오.
- 2 **제어판** 창에서 **시스템** 아이콘을 더블 클릭하십시오.
- 3 **하드웨어** 탭을 클릭하십시오.
- 4 **장치 관리자**를 클릭하십시오.
- 5 **보기**를 클릭하고 **리소스(연결별)**를 클릭하십시오.
- 6 **인터럽트 요청(IRQ)**을 더블 클릭하십시오.

장치가 비활성화되어 있으면 장치 옆에 적색 x가 표시되거나 잘못 구성된 장치 옆에 황색 느낌표(!)가 나타납니다.

- 7 느낌표가 표시된 장치를 더블 클릭하면 **등록 정보** 창이 나타납니다.
등록 정보 창의 **장치** 상태 영역에 재구성해야 할 카드나 장치가 나타납니다.

- 8 장치 관리자에서 장치를 재구성하거나 삭제하십시오. 장치 구성에 관한 내용은 장치와 함께 제공된 설명서를 참조하십시오.

하드웨어 문제 해결사를 사용하여 비호환성을 해결하려면:

- 1 시작 단추를 클릭하고 **도움말**을 클릭하십시오.
- 2 **목차** 탭에서 **문제 해결 및 유지 관리**를 클릭하고 **Windows 2000 문제 해결사**를 클릭한 후 **하드웨어**를 클릭하십시오.
- 3 **하드웨어 문제 해결사** 목록에서 **컴퓨터의 하드웨어 충돌을 해결해야 합니다**를 클릭하고, **다음**을 클릭하십시오.

Microsoft® Windows® XP 시스템 복원 사용

Microsoft® Windows® XP 운영 체제에서 제공하는 시스템 복원 기능은 컴퓨터의 하드웨어, 소프트웨어 또는 기타 시스템 설정값이 원하지 않는 값으로 변경된 경우 예전 상태로 복원할 수 있는 기능입니다. 시스템 복원에 관한 자세한 내용은 Windows 도움말 및 지원 센터를 참조하십시오.

- ⓘ **주의사항:** 데이터 파일을 정기적으로 백업해두십시오. 시스템 복원 기능은 데이터 파일을 감시하거나 복구하지 않습니다.

복원 지점 작성

- 1 시작 단추를 클릭한 다음 **도움말 및 지원**을 클릭하십시오.
- 2 **시스템 복원**을 클릭하십시오.
- 3 화면의 지시사항을 따르십시오.

이전 작동 상태로 컴퓨터 복원

- ⓘ **주의사항:** 컴퓨터를 이전 작동 상태로 복원하기 전에 열려있는 파일을 모두 저장하고 닫은 후 실행 중인 프로그램을 모두 종료하십시오. 시스템 복원이 완료될 때까지 파일 또는 프로그램을 고치거나 열거나 삭제하지 마십시오.

- 1 시작 단추를 클릭하고 **모든 프로그램** → **보조프로그램** → **시스템 도구**를 차례로 지정한 다음 **시스템 복원**을 클릭하십시오.
- 2 **이전 시점으로 내 컴퓨터 복원**이 선택되어 있는지 확인하고 **다음**을 클릭하십시오.
- 3 컴퓨터를 복원할 **달력 날짜**를 클릭하십시오.

복원 지점 선택 화면에는 복원 지점을 확인하고 선택할 수 있는 달력이 제공됩니다. 사용 가능한 복원 지점이 있는 모든 달력 날짜는 굵은체로 표시됩니다.

- 4 복원 지점을 선택하고 **다음**을 클릭하십시오.

달력 날짜에 한 개의 복원 지점만 있는 경우에는 복원 지점이 자동으로 선택됩니다.

두 개 이상의 복원 지점을 이용할 수 있는 경우에는 원하는 복원 지점을 클릭하십시오.

5 다음을 클릭하십시오.

시스템 복원으로 데이터를 모두 수집하면 컴퓨터가 자동으로 재시작되고 **복원 완료** 화면이 나타납니다.

6 컴퓨터가 재시작되면 **확인**을 클릭하십시오.

복원 지점을 변경하려면 다른 복원 지점을 사용하여 단계를 반복 수행하거나 복원 실행을 취소할 수 있습니다.

마지막 시스템 복원 실행 취소



주의사항: 마지막 시스템 복원 실행을 취소하기 전에 열려있는 모든 파일을 저장하고 닫은 후 실행 중인 프로그램을 모두 종료하십시오. 시스템 복원이 완료될 때까지 파일 또는 프로그램을 고치거나 열거나 삭제하지 마십시오.

- 1** 시작 단추를 클릭하고 **모든 프로그램** → **보조프로그램** → **시스템 도구**를 차례로 지정한 다음 **시스템 복원**을 클릭하십시오.
- 2** **마지막 복원 실행 취소**를 클릭하고 **다음**을 클릭하십시오.
- 3** **다음**을 클릭하십시오.
시스템 복원 화면이 나타나고 컴퓨터가 재시작됩니다.
- 4** 컴퓨터가 재시작되면 **확인**을 클릭하십시오.

시스템 복원 활성화

Windows XP 재설치시 하드 디스크 여유 공간이 200MB 이하인 경우에는 시스템 복원 기능은 자동으로 비활성화됩니다. 시스템 복원 기능의 활성화 여부를 확인하려면:

- 1** 시작 단추를 클릭하고 **제어판**을 클릭하십시오.
- 2** **시스템**을 클릭하십시오.
- 3** **시스템 복원** 탭을 클릭하십시오.
- 4** **시스템 복원 사용 안 함**이 선택되어 있지 않도록 확인하십시오.

Microsoft® Windows® XP 재설치

시작하기 전에

새로 설치한 드라이버로 인해 발생한 문제를 해결하기 위해 Windows XP 운영 체제를 재설치하려는 경우 먼저 Windows XP 장치 드라이버 롤백 기능을 사용해보십시오 (장치 드라이버 롤백에 대한 자세한 내용은 온라인 사용 설명서 참조). 장치 드라이버 롤백 기능을 사용해도 문제가 해결되지 않으면 시스템 복원 기능(94페이지의 「Microsoft® Windows® XP 시스템 복원 사용」 참조)을 사용하여 운영 체제를 새 장치 드라이버를 설치하기 이전의 작동 상태로 복원할 수 있습니다.

- ➡ **주의사항:** 설치를 시작하기 전에 주 하드 디스크 드라이브에 모든 데이터 파일을 백업하십시오. 일반적으로 주 하드 드라이브는 컴퓨터가 처음 감지하는 드라이브로 구성되어 있습니다.

Windows XP를 재설치하려면 다음 CD가 필요합니다:

- Dell™ 운영 체제 CD
- Dell 드라이버 및 유틸리티 CD

- 🔍 **주:** 드라이버 및 유틸리티 CD에는 컴퓨터 조립시 설치된 드라이버가 포함되어 있습니다. 컴퓨터에 RAID 컨트롤러가 있는 경우 필요한 드라이버 뿐만 아니라 필요한 드라이버를 로드할 때 드라이버 및 유틸리티 CD를 사용하십시오.

Windows XP 재설치

- ➡ **주의사항:** Windows XP를 재설치하는 경우 Windows XP 서비스 팩 1 이상을 사용해야 합니다.

Windows XP를 재설치하려면 다음 항목의 모든 단계를 나열된 순서대로 수행하십시오.

재설치 절차를 완료하는 데 1~2시간이 소요됩니다. 운영 체제를 재설치한 후 장치 드라이버, 바이러스 방지 프로그램 및 기타 프로그램도 재설치해야 합니다.

- ➡ **주의사항:** 운영 체제 CD에는 Windows XP를 재설치하는 데 필요한 옵션이 포함되어 있습니다. 옵션은 설치한 파일을 덮어쓰기 때문에 하드 드라이브에 설치되어 있는 프로그램에 영향을 줄 수 있습니다. 그러므로 Dell의 전문 지원 담당자가 이를 권고하지 않는 한 Windows XP를 재설치하지 마십시오.
- ➡ **주의사항:** Windows XP와의 충돌을 방지하려면 Windows XP를 재설치하기 전에 컴퓨터에 설치되어 있는 바이러스 방지 소프트웨어를 모두 비활성화해야 합니다. 자세한 지침은 소프트웨어 설명서를 참조하십시오.

운영 체제 CD에서 부팅

- 1 열려있는 모든 파일을 저장하고 닫은 다음 프로그램을 종료하십시오.
- 2 운영 체제 CD를 넣으십시오. Windows XP 설치 메시지가 나타나면 **마침**을 클릭하십시오.
- 3 컴퓨터를 재시작하십시오.
- 4 DELL™ 로고가 나타나면 즉시 <F12>를 누르십시오.
운영 체제 로고가 나타날 경우 Windows 바탕 화면이 표시될 때까지 기다린 후 컴퓨터를 종료한 다음 다시 시도하십시오.
- 5 화살표 키를 사용하여 CD-ROM을 선택한 다음 <Enter>를 누르십시오.
- 6 Press any key to boot from CD 메시지가 나타나면 아무 키를 누르십시오.

Windows XP 설치

- 1 Windows XP 설치 화면이 나타나면 <Enter>를 눌러 **Windows 설치**를 선택하십시오.
- 2 Microsoft Windows **사용권 계약** 화면의 내용을 읽은 다음 <F8>을 눌러 사용권 계약서에 동의하십시오.
- 3 컴퓨터에 이미 Windows XP가 설치되어 있는 경우 현재 Windows XP 데이터를 복구하려면 **r**을 입력하여 복구 옵션을 선택한 다음 드라이브에서 CD를 제거하십시오.
- 4 새 Windows XP를 설치하려면 <Esc>를 눌러 해당 옵션을 선택하십시오.
- 5 <Enter>를 눌러 지정된 파티션을 선택하고(권장) 화면의 지시사항을 따르십시오.

Windows XP 설치 화면이 나타나고 운영 체제는 파일 복사 및 장치 설치 절차를 시작합니다. 컴퓨터는 자동으로 여러 번 재시작합니다.



주: 설치를 완료하는 데 소요되는 시간은 하드 드라이브 크기와 컴퓨터 속도에 따라 다릅니다.



주의사항: 다음 메시지가 표시될 때 아무 키나 누르지 마십시오: Press any key to boot from the CD.



- 6 **국가 및 언어 옵션**이 나타나면 해당 위치에 맞는 설정을 선택하고 **다음**을 클릭하십시오.
- 7 **소프트웨어 개별화** 화면에 이름과 회사(옵션)를 입력하고 **다음**을 클릭하십시오.
- 8 **컴퓨터 이름 및 관리자 암호** 창에서 컴퓨터 이름(또는 지정된 이름 승인) 및 암호를 입력하고 **다음**을 클릭하십시오.
- 9 **모뎀 전화 걸기 정보** 화면이 나타나면, 요청된 내용을 입력하고 **다음**을 클릭하십시오.
- 10 **날짜 및 시간 설정** 창에서 날짜, 시간, 시간대를 입력하고 **다음**을 클릭하십시오.
- 11 **네트워크 설정** 화면이 표시되면 **일반**을 클릭하고 **다음**을 클릭하십시오.
- 12 Windows XP Professional을 재설치하는 도중에 네트워크 구성과 관련된 추가 정보가 요청될 경우 선택사항을 입력하십시오. 설정에 대해 확실하지 않을 경우 주어진 기본값을 승인하십시오.

Windows XP는 운영 체제 구성요소를 설치하고 컴퓨터를 구성합니다. 컴퓨터가 자동으로 재시작됩니다.




주의사항: 다음 메시지가 표시될 때 아무 키나 누르지 마십시오: Press any key to boot from the CD.

- 13 Microsoft **시작** 화면이 나타나면 **다음**을 클릭하십시오.
- 14 어떤 방법으로 인터넷에 연결하시겠습니까?란 메시지가 나타나면 **건너뛰기**를 클릭하십시오.
- 15 **지금 Microsoft에 등록하시겠습니까?** 화면이 나타나면 **아니오, 지금은 등록하지 않습니다**를 선택하고 **다음**을 클릭하십시오.
- 16 **사용자의 이름을 입력하십시오** 화면이 나타나면 최대 5명의 사용자를 입력할 수 있습니다.
- 17 **다음**을 클릭하십시오.

- 18 마침을 클릭하여 설치를 완료하고 CD를 제거하십시오.
 - 19 드라이버 및 유틸리티 CD를 사용하여 해당 드라이버를 재설치하십시오.
 - 20 바이러스 방지 소프트웨어를 재설치하십시오.
 - 21 프로그램을 재설치하십시오.
-  **주:** Microsoft Office 또는 Microsoft Works Suite 프로그램을 재설치 및 활성화하려면 Microsoft Office 또는 Microsoft Works Suite CD 뒷면에 부착된 제품 키 번호가 필요합니다.
-  **주:** 컴퓨터에 고유 이미지를 설치했거나 운영 체제를 재설치한 경우 DSS 유틸리티를 실행하십시오. DSS는 드라이버 및 유틸리티 CD 및 support.dell.com에서 얻을 수 있습니다.

드라이버 및 유틸리티 CD 사용

Windows 운영 체제를 실행하는 동안 드라이버 및 유틸리티 CD(ResourceCD라고도 함)를 사용하려면:

-  **주:** 장치 드라이버 및 사용 설명서에 액세스하려면 Windows를 실행하여 드라이버 및 유틸리티 CD를 사용해야 합니다.
- 1 컴퓨터를 켜면 Windows 바탕 화면으로 부팅됩니다.
 - 2 드라이버 및 유틸리티 CD를 CD 드라이브에 넣으십시오.
이 컴퓨터에서 처음으로 드라이버 및 유틸리티 CD를 사용하는 경우에는 드라이버 및 유틸리티 CD가 설치 시작을 알리는 **ResourceCD Installation** 창을 표시합니다.
 - 3 계속하려면 **확인**을 클릭하십시오.
설치 프로그램에 나타나는 메시지에 응답하여 설치를 완료하십시오.
 - 4 Welcome Dell System Owner 화면에서 **Next**를 클릭하십시오.
 - 5 해당 System Model, Operating System, Device Type 및 Topic을 선택하십시오.

컴퓨터 드라이버

컴퓨터 장치 드라이버 목록을 표시하려면:

- 1 **Topic** 드롭다운 메뉴에서 **My Drivers**를 클릭하십시오.
드라이버 및 유틸리티 CD는 컴퓨터의 하드웨어 및 운영 체제를 검색한 다음 시스템 구성에 맞는 장치 드라이버 목록을 화면에 표시해줍니다.
 - 2 해당 드라이버를 클릭하고 컴퓨터 드라이버의 다운로드 지침을 따르십시오.
- 컴퓨터에 맞는 사용 가능한 모든 장치 목록을 보려면 **Topic** 드롭다운 메뉴에서 **Drivers**를 클릭하십시오.

색인

가

경고음 코드, 91

다

덮개

닫기, 84

도움말 및 지원 센터, 73

드라이버

ResourceCD, 71

드라이버 및 유틸리티 CD, 71

라

레이블

Microsoft Windows, 72

서비스 태그, 72

마

문제

Dell 진단 프로그램, 85

경고음 코드, 91

이전 상태로 복원, 94

진단 표시등, 88-89

충돌, 93

문제 해결

Dell 진단 프로그램, 85

도움말 및 지원 센터, 73

이전 상태로 복원, 94

진단 표시등, 88-89

충돌, 93

하드웨어 문제 해결사, 93

바

보증, 71

사

사용 설명서, 72

서비스 태그, 72

설명서

ResourceCD, 71

사용 설명서, 72

시스템 정보 설명서, 71

온라인, 72-73

장치, 71

소프트웨어

충돌, 93

시스템 복원, 94

시스템 표시등, 88

아

안전 지침, 71

오류 메시지

경고음 코드, 91

진단 표시등, 88-89

운영 체제

CD, 73

Windows XP 재설치, 95

설치 안내서, 73

운영 체제 CD, 73

자

장치 관리자, 93

재설치

ResourceCD, 71

Windows XP, 95

드라이버 및 유틸리티 CD, 71

전원 단추 표시등, 88

정보 설명서 찾기, 71

진단 표시등, 88-89

진단 프로그램

Dell, 85

경고음 코드, 91

드라이버 및 유틸리티 CD, 71

표시등, 88-89

차

충돌

소프트웨어 및 하드웨어 비호

환성, 93

카

컴퓨터

경고음 코드, 91

덮개 닫기, 84

이전 상태로 복원, 94

파

- 표시등
 - 시스템, 88
 - 전원 단추, 88
 - 진단, 88-89
 - 컴퓨터 전면, 88
 - 컴퓨터 후면, 89

하

- 하드웨어
 - Dell 진단 프로그램, 85
 - 경고음 코드, 91
 - 충돌, 93
- 하드웨어 문제 해결사, 93

C

- CD
 - 운영 체제, 73

D

- Dell
 - 지원 사이트, 72
 - 프리미어 지원 웹사이트, 73
- Dell 진단 프로그램, 85
- Dell 프리미어 지원 웹사이트, 71, 73

I

- IRQ 충돌, 93

M

- Microsoft Windows 레이블, 72

R

- ResourceCD
 - Dell 진단 프로그램, 85

W

- Windows 2000
 - 장치 관리자, 93
 - 하드웨어 문제 해결사, 93
- Windows XP
 - 도움말 및 지원 센터, 73
 - 시스템 복원, 94
 - 재설치, 95
 - 하드웨어 문제 해결사, 93

Dell™ OptiPlex™ รุ่น SX280

คู่มืออ้างอิงอย่างรวดเร็ว

หมายเหตุ ข้อสังเกต และข้อควรระวัง



หมายเหตุ: หมายเหตุจะระบุถึงข้อมูลสำคัญซึ่งช่วยให้คุณสามารถใช้ระบบคอมพิวเตอร์ได้ดีขึ้น



ข้อสังเกต: ข้อสังเกตจะระบุถึงความเสียหายที่อาจเกิดขึ้นกับฮาร์ดแวร์ หรือการสูญหายของข้อมูล ตลอดจนแนะนำวิธีการหลีกเลี่ยงความเสียหายนั้นๆ



ข้อควรระวัง: ข้อควรระวังจะระบุถึงความเสียหายที่อาจเกิดขึ้น การบาดเจ็บเล็กน้อย หรือขั้นรุนแรงถึงขั้นเสียชีวิตได้

หากคุณซื้อคอมพิวเตอร์ Dell™ n Series ข้อมูลอ้างอิงต่างๆ ในเอกสารฉบับนี้ที่เกี่ยวกับระบบปฏิบัติการ Microsoft® Windows® จะใช้ไม่ได้

ข้อมูลในเอกสารนี้อาจเปลี่ยนแปลงได้โดยไม่ต้องแจ้งให้ทราบล่วงหน้า

© 2004 Dell Inc. สงวนลิขสิทธิ์

ห้ามทำซ้ำส่วนหนึ่งส่วนใดในเอกสารนี้ไม่ว่าในลักษณะใดๆ โดยไม่ได้รับการอนุญาตเป็นลายลักษณ์อักษรจาก Dell Inc. โดยเด็ดขาด

เครื่องหมายการค้าที่ใช้ในเอกสารนี้: *Dell*, *OptiPlex* และโลโก้ของ *DELL* เป็นเครื่องหมายการค้าของ Dell Inc. ส่วน *Microsoft* และ *Windows* เป็นเครื่องหมายการค้าจดทะเบียนของ Microsoft Corporation

ในเอกสารนี้อาจมีการใช้เครื่องหมายการค้าและชื่อทางการค้าอื่นๆ เพื่ออ้างถึงเครื่องหมายเหตุหรือผลิตภัณฑ์ต่างๆ ของบริษัทนั้น Dell Inc. ขอยืนยันว่าบริษัทไม่มีผลประโยชน์ด้านกรรมสิทธิ์ในเครื่องหมายการค้าและชื่อทางการค้าอื่นใดนอกเหนือจากของทางบริษัทเอง



รุ่น DCTR

เมษายน 2004 P/N X2955 Rev. A00

สารบัญ

การหาข้อมูล	105
ข้อมูลเกี่ยวกับคอมพิวเตอร์ของคุณ	108
ภาพแสดงด้านหน้า	108
ภาพแสดงด้านข้าง	108
ภาพแสดงด้านหลัง	109
ฝาครอบสายเคเบิลและอะแดปเตอร์	109
การติดตั้งเครื่องคอมพิวเตอร์	110
กำหนดตำแหน่งและแนวการวางเครื่องคอมพิวเตอร์	110
การติดตั้งอุปกรณ์ในช่องใส่ไดรฟ์	111
การเชื่อมต่อกับอุปกรณ์ภายนอก	112
การติดตั้งฮาร์ดดิสก์	115
การติดตั้งฝาครอบสายเคเบิลที่เป็นอุปกรณ์เสริม	116
ภายในเครื่องคอมพิวเตอร์ของคุณ	116
การถอดฝาครอบเครื่องคอมพิวเตอร์	116
ภาพแสดงภายใน	117
การใส่ฝาครอบเครื่องคอมพิวเตอร์กลับคืน	118
การแก้ปัญหา	118
โปรแกรมการวินิจฉัยของ Dell	119
ไฟแสดงสถานะแหล่งจ่ายไฟ	121
ไฟแสดงสถานะของเครื่องคอมพิวเตอร์	122
ไฟแสดงการวินิจฉัย	123
รหัสการส่งเสียงบี๊พ	125
การรันโปรแกรมการวินิจฉัยฮาร์ดดิสก์แบบ IDE ของ Dell™	126
การแก้ปัญหการทำงานร่วมกันไม่ได้ระหว่างซอฟต์แวร์และฮาร์ดแวร์	127
การใช้คุณสมบัติการเรียกคืนข้อมูลระบบของ Microsoft® Windows® XP	128
การติดตั้ง Microsoft® Windows® XP อีกครั้ง	129
การใช้แผ่นซีดีไดรเวอร์และยูทิลิตี้	132
ดัชนี	133

การหาข้อมูล

สิ่งที่คุณต้องการค้นหา	ค้นหาได้จาก
<ul style="list-style-type: none">โปรแกรมการวินิจฉัยสำหรับเครื่องคอมพิวเตอร์ไดรเวอร์สำหรับเครื่องคอมพิวเตอร์เอกสารเกี่ยวกับเครื่องคอมพิวเตอร์เอกสารเกี่ยวกับอุปกรณ์ซอฟต์แวร์ระบบปฏิบัติการบนเดสก์ทอป (Desktop System Software: DSS)	<p>แผ่นซีดีไดรเวอร์และยูทิลิตี้ (หรือที่เรียกว่า แผ่น ResourceCD) ติดตั้งเอกสารและไดรเวอร์ต่างๆ ลงในคอมพิวเตอร์ของคุณแล้ว คุณสามารถใช้แผ่นซีดีนี้เพื่อติดตั้งไดรเวอร์อีกครั้ง รันโปรแกรมการวินิจฉัยของ Dell หรือเข้าสู่ข้อมูลต่างๆ ได้</p>  <p>ภายในแผ่นซีดีอาจประกอบด้วยไฟล์ Readme เพื่อให้ข้อมูลล่าสุดเกี่ยวกับการเปลี่ยนแปลงทางด้านเทคนิคของคอมพิวเตอร์หรือเป็นเอกสารอ้างอิงทางด้านเทคนิคขั้นสูงสำหรับช่างเทคนิคหรือผู้ใช้ที่มีประสบการณ์</p> <p>หมายเหตุ: คุณสามารถดูเอกสารและไดรเวอร์อัปเดตล่าสุดได้ที่ support.dell.com</p>
<ul style="list-style-type: none">Patches และการอัปเดต OS	<p>ซอฟต์แวร์ระบบปฏิบัติการบนเดสก์ทอป (Desktop System Software: DSS)</p> <p>แผ่นซีดี ไดรเวอร์และยูทิลิตี้ และที่ support.dell.com</p>
<ul style="list-style-type: none">ข้อมูลเกี่ยวกับการรับประกันคำแนะนำเพื่อความปลอดภัยรายละเอียดข้อบังคับข้อมูลด้านความสอดคล้องกับหลักสีเขียวข้อตกลงเกี่ยวกับการอนุญาตสำหรับผู้ใช้	<p>คู่มือข้อมูลผลิตภัณฑ์ Dell™</p>  <p>หมายเหตุ: คู่มือนี้จะอยู่ที่ support.dell.com ในรูปแบบ PDF</p>
<ul style="list-style-type: none">วิธีการถอดชิ้นส่วนและใส่ชิ้นส่วนใหม่กลับไปรายละเอียดทางด้านเทคนิควิธีการตั้งค่าระบบวิธีการแก้ไขปัญหา	<p>คู่มือผู้ใช้ Dell OptiPlex™</p> <p>Help and Support Center ของ Microsoft® Windows® XP</p> <ol style="list-style-type: none">คลิกที่ปุ่ม Start จากนั้นคลิกที่ Help and Supportคลิกที่ User's and system guides แล้วคลิก User's guides <p>คู่มือผู้ใช้ มีใน แผ่นซีดีไดรเวอร์และยูทิลิตี้ อีกด้วย</p>

สิ่งที่คุณต้องการค้นหา

- ป้ายกำกับบริการและรหัสการบริการด่วน
- ป้ายแสดงสิทธิ์การใช้งาน Microsoft Windows

ค้นหาได้จาก

ป้ายกำกับบริการและป้ายแสดงสิทธิ์การใช้งาน
Microsoft Windows
ป้ายเหล่านี้คืออยู่บนเครื่องคอมพิวเตอร์ของคุณ

- ใช้ป้ายกำกับบริการนี้
ในการระบุเครื่องคอมพิวเตอร์
ของคุณเมื่อคุณเข้าใช้

support.dell.com
หรือติดต่อฝ่ายสนับสนุน
ทางด้านเทคนิค

- ป้อนรหัสการบริการด่วน
เพื่อติดต่อกับฝ่ายสนับสนุนทางด้านเทคนิคโดยตรง
รหัสการบริการด่วนอาจใช้ไม่ได้ในทุกประเทศ



- ไดรเวอร์ล่าสุดที่ใช้กับเครื่องคอมพิวเตอร์
- คำตอบสำหรับคำถามเกี่ยวกับการบริการและการสนับสนุนด้านเทคนิค
- เข้าร่วมการตอบคำถามแบบออนไลน์กับผู้เชี่ยวชาญ
และผู้เชี่ยวชาญทางด้านเทคนิค
- เอกสารเกี่ยวกับเครื่องคอมพิวเตอร์


เว็บไซต์ Dell Support — support.dell.com

หมายเหตุ: เลือกพื้นที่ของคุณเพื่อดูเว็บไซต์สนับสนุนที่เหมาะสม
เว็บไซต์ Dell Support มีเครื่องมือแบบออนไลน์ต่างๆ ให้เลือก
ซึ่งประกอบด้วย:



- Solutions — เคล็ดลับและเทคนิคพิเศษในการแก้ปัญหา
บทความจากช่างเทคนิค และหลักสูตรแบบออนไลน์ต่างๆ
- Community — เข้าร่วมการตอบคำถามแบบออนไลน์กับลูกค้ารายอื่นๆ
ของ Dell
- Upgrades — ข้อมูลการอัปเดตเกี่ยวกับส่วนประกอบต่างๆ เช่น
หน่วยความจำ ฮาร์ดดิสก์ และระบบปฏิบัติการ
- Customer Care — ข้อมูลการติดต่อ, สถานะการสั่งซื้อ, การรับประกัน
และการซ่อมแซม
- Downloads — การอัปเดตไดรเวอร์, Patches และซอฟต์แวร์
- Reference — เอกสารเกี่ยวกับเครื่องคอมพิวเตอร์, รายละเอียดของ
ผลิตภัณฑ์ รวมถึงเอกสารคำประกาศต่างๆ

- สถานะการโทรติดต่อขอรับบริการและประวัติการสนับสนุน
- ประเด็นปัญหาด้านเทคนิคที่พบบ่อยของเครื่องคอมพิวเตอร์
- คำถามที่พบบ่อย
- การดาวน์โหลดไฟล์
- รายละเอียดเกี่ยวกับค่าก่อนปีเตอร์ชันของเครื่องคอมพิวเตอร์
- สัญญาการบริการของเครื่องคอมพิวเตอร์

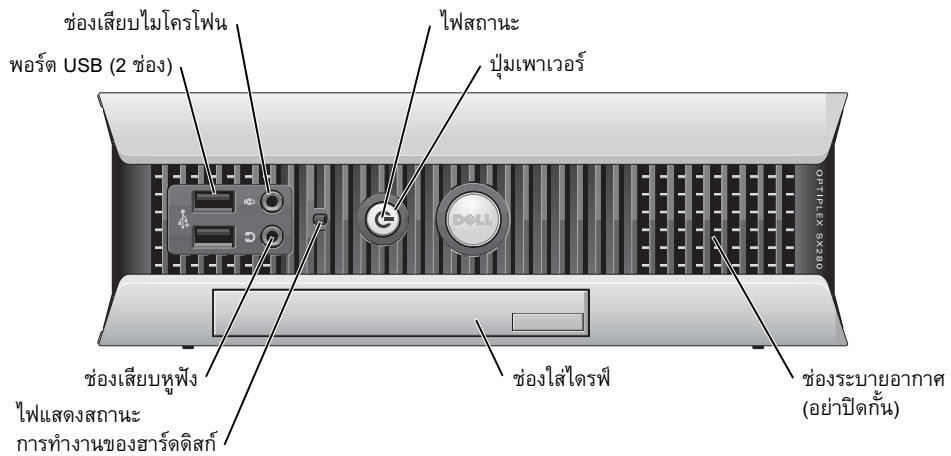
เว็บไซต์ Dell Premier Support — premiersupport.dell.com
เว็บไซต์ Dell Premier Support ได้รับการกำหนดให้ใช้กับลูกค้า
ระดับบริษัท รัฐบาล และด้านการศึกษา เว็บไซต์นี้อาจจะใช้ไม่ได้
ในทุกพื้นที่

สิ่งที่ต้องการค้นหา	ค้นหาได้จาก
<ul style="list-style-type: none"> • วิธีใช้ระบบปฏิบัติการวินโดวส์ XP • เอกสารเกี่ยวกับเครื่องคอมพิวเตอร์ • เอกสารเกี่ยวกับอุปกรณ์ต่างๆ (เช่น โมเด็ม) 	<p>Help and Support Center ของระบบปฏิบัติการวินโดวส์</p> <ol style="list-style-type: none"> 1 คลิกที่ปุ่ม Start จากนั้นคลิกที่ Help and Support 2 พิมพ์คำหรือวลีซึ่งอธิบายถึงปัญหาที่เกิดขึ้น หลังจากนั้นให้คลิกที่ไอคอนลูกศร 3 คลิกที่หัวข้อซึ่งตรงกับปัญหาที่เกิดขึ้น 4 ทำตามคำแนะนำที่ปรากฏบนหน้าจอ
<ul style="list-style-type: none"> • วิธีการติดตั้งระบบปฏิบัติการใหม่อีกครั้ง 	<p>แผ่นซีดีระบบปฏิบัติการ</p> <p>มีการติดตั้งระบบปฏิบัติการลงในเครื่องคอมพิวเตอร์ของคุณแล้ว หากคุณติดตั้งระบบปฏิบัติการใหม่อีกครั้ง ให้ใช้แผ่นซีดีระบบปฏิบัติการในการติดตั้ง โปรดดูคำแนะนำที่คู่มือผู้ใช้ OptiPlex</p>  <p>หลังจากติดตั้งระบบปฏิบัติการใหม่แล้ว ให้ใช้แผ่นซีดี <i>ไดรเวอร์ และยูทิลิตี</i> เพื่อติดตั้งไดรเวอร์ของอุปกรณ์ที่จัดส่งมาพร้อมกับเครื่องคอมพิวเตอร์ใหม่อีกครั้ง</p> <p>หมายเลขผลิตภัณฑ์ของระบบปฏิบัติการจะอยู่ในป้ายแสดงสิทธิ์การใช้งาน Windows ที่ติดบนเครื่องคอมพิวเตอร์</p> <p>หมายเหตุ: สีของแผ่นซีดีจะแตกต่างกัน โดยขึ้นกับระบบปฏิบัติการที่คุณสั่งซื้อ</p>
<ul style="list-style-type: none"> • หมายเลขรุ่นของข้อบังคับ • ประเภทโครงเครื่อง 	<p>DCTR</p> <p>โครงเครื่องแบบ Ultra-Small Form-Factor (USFF)</p>

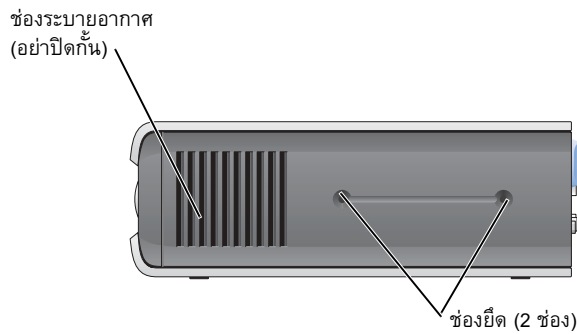
ข้อมูลเกี่ยวกับคอมพิวเตอร์ของคุณ

-  **หมายเหตุ:** หากคุณต้องการวางเครื่องคอมพิวเตอร์ใต้เดสก์ทอป หรือติดกับฝาผนัง ให้ใช้ตัวยึดสำหรับยึดติดกับฝาผนัง หากคุณต้องการสั่งซื้อตัวยึด โปรดติดต่อ Dell โปรดดูข้อมูลเกี่ยวกับการติดต่อ Dell ได้ที่ [คู่มือผู้ใช้แบบออนไลน์](#)
-  **หมายเหตุ:** เพื่อให้มั่นใจได้ว่ามีการระบายอากาศที่เหมาะสม อย่าวางสิ่งอื่นใดที่กีดขวางช่องระบายอากาศ

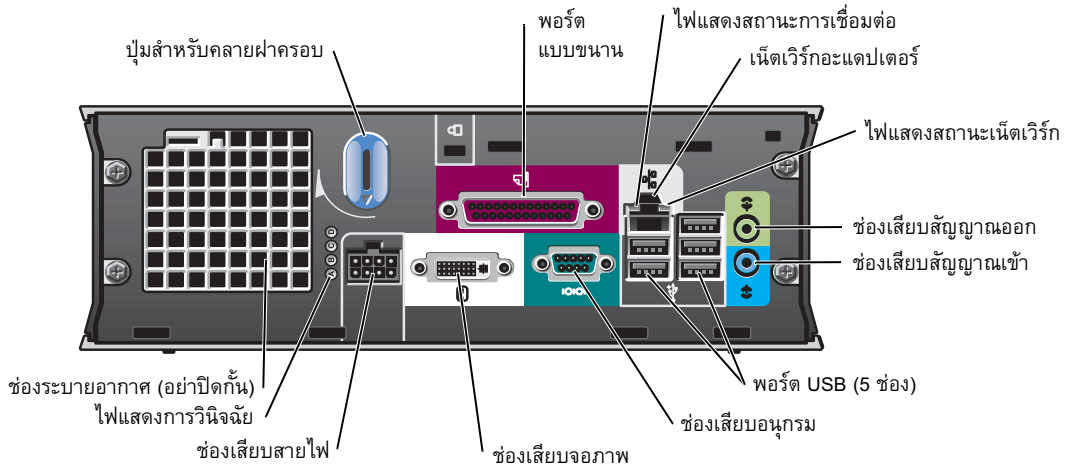
ภาพแสดงด้านหน้า



ภาพแสดงด้านข้าง



ภาพแสดงด้านหลัง



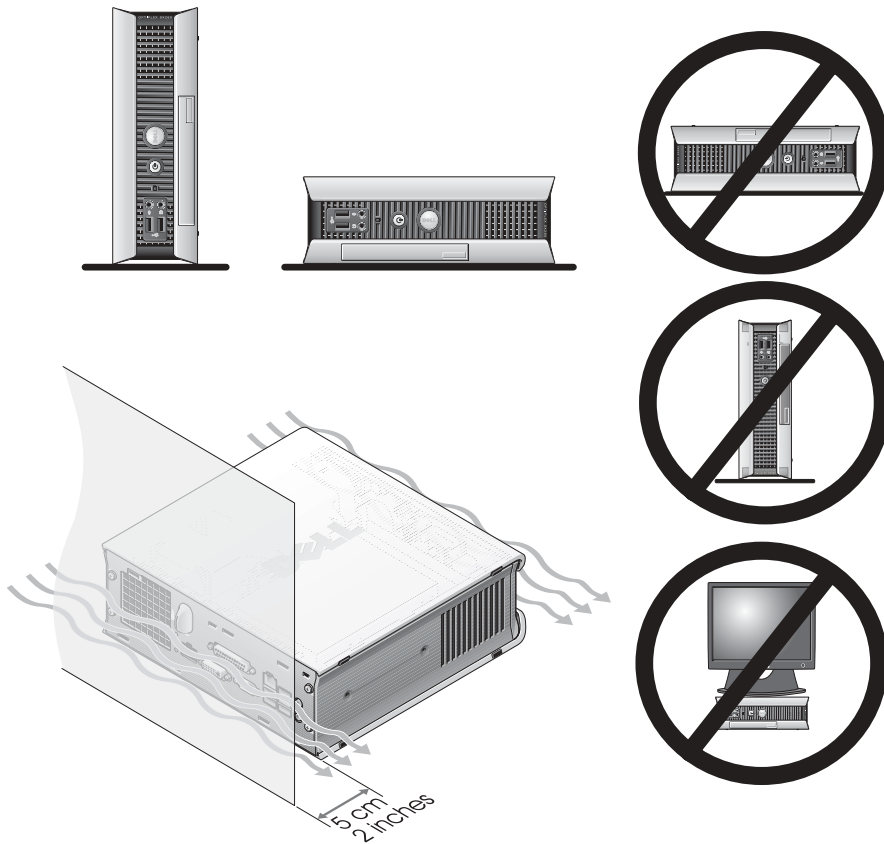
ฝาครอบสายเคเบิลและอะแดปเตอร์



การติดตั้งเครื่องคอมพิวเตอร์

- ➡ **ข้อสังเกต:** ขณะติดตั้งเครื่องคอมพิวเตอร์ ให้คุณยึดสายเคเบิลทั้งหมดไปทางด้านหลังของพื้นที่ทำงาน เพื่อป้องกันไม่ให้เกิดการดึง เหยียบสาย หรือสายเคเบิลพันกันเอง
- ➡ **ข้อสังเกต:** ในการป้องกันไม่ให้อุปกรณ์คอมพิวเตอร์ร้อนเกินไปหรือเครื่องปิดการทำงาน ห้ามวางเครื่องในบริเวณที่ไม่มีอากาศถ่ายเท
- 📌 **หมายเหตุ:** หากคุณสั่งซื้อเครื่องคอมพิวเตอร์ที่ไม่มีฮาร์ดดิสก์ คุณสามารถติดตั้งไดรฟ์ได้โดยใช้รางไดรฟ์ที่มีอยู่ในเครื่องคอมพิวเตอร์ของคุณ (โปรดดูที่ "การติดตั้งฮาร์ดดิสก์" ในหน้า 115)

กำหนดตำแหน่งและแนวการวางเครื่องคอมพิวเตอร์



- ➡ **ข้อสังเกต:** อย่าวางจอภาพบนเครื่องคอมพิวเตอร์ ให้ใช้ฐานวางจอภาพ
- ➡ **ข้อสังเกต:** ห้ามวางคอมพิวเตอร์กลับด้าน

➡ **ข้อสังเกต:** หากคุณใช้เครื่องคอมพิวเตอร์ในบริเวณที่มีแสงสะท้อนสูง หรือหากคุณติดตั้งเครื่องคอมพิวเตอร์ ภายใต้พื้นผิวแข็งหรือบนฝาผนัง ให้ใช้ตัวยึดกับฝาผนังที่เป็นอุปกรณ์เสริม หากคุณต้องการสั่งซื้อตัวยึด โปรดติดต่อ Dell โปรดดูข้อมูลเกี่ยวกับการติดต่อ Dell ได้ที่ [คู่มือผู้ใช้แบบออนไลน์](#)

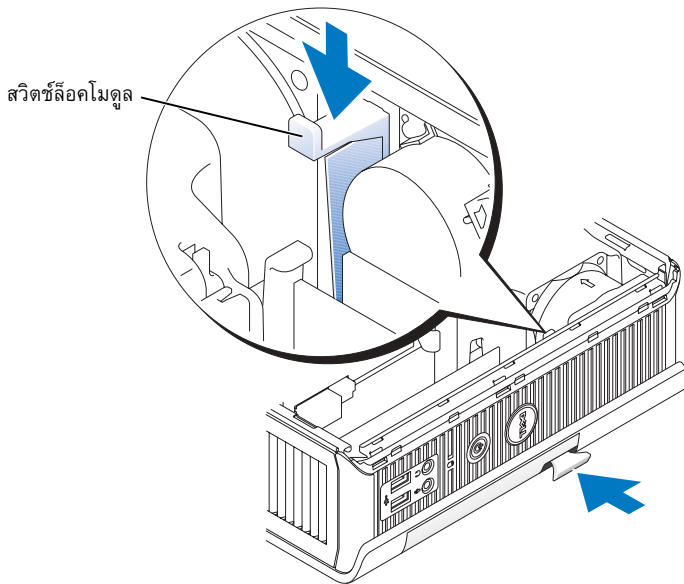
🔧 **หมายเหตุ:** โปรดวางคอมพิวเตอร์ให้มีระยะห่างจากผนังด้านหลังอย่างน้อย 5 ซม. (2 นิ้ว) เพื่อให้มั่นใจได้ว่าการระบายอากาศอย่างเหมาะสม ห้ามวางเครื่องคอมพิวเตอร์ในบริเวณที่ปิดมิดชิดและไม่มีอากาศถ่ายเท

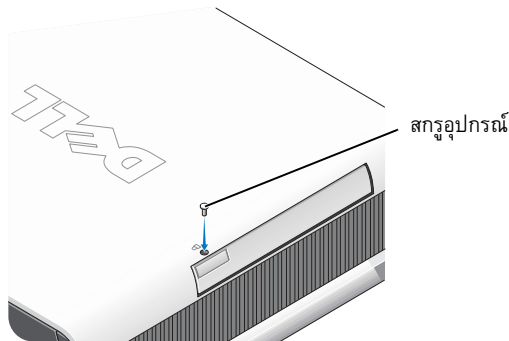
การติดตั้งอุปกรณ์ในช่องใส่ไดรฟ์

คุณสามารถติดตั้งอุปกรณ์แบบพกพาของ Dell™ เช่น ฟลอปปีไดรฟ์ ไดรฟ์ CD/DVD หรือฮาร์ดดิสก์ตัวที่สองในช่องใส่ไดรฟ์ เครื่องคอมพิวเตอร์ Dell จะส่งมาพร้อมกับไดรฟ์ CD/DVD หรือช่องระบายอากาศ (ช่องที่เจาะ) โดยติดตั้งไว้ในช่องใส่ไดรฟ์แล้ว

เครื่องคอมพิวเตอร์ของคุณจะมีการรักษาความปลอดภัยโดยมีสวิตช์ล็อกติดตั้งไว้เพื่อความปลอดภัยของอุปกรณ์ในช่องใส่ไดรฟ์ ในการใช้สวิตช์ ให้ถอดฝาครอบคอมพิวเตอร์ออกก่อน (โปรดดูที่ “การถอดฝาครอบเครื่องคอมพิวเตอร์” ในหน้า 116)

นอกจากนี้ คุณยังสามารถเพิ่มความปลอดภัยให้กับอุปกรณ์ในช่องใส่ไดรฟ์ได้โดยใช้สกรูของอุปกรณ์ที่ส่งมาพร้อมกับเครื่องคอมพิวเตอร์ (อยู่ในกล่องแยกต่างหาก)





การเชื่อมต่อกับอุปกรณ์ภายนอก

⚠️ ข้อควรระวัง: ก่อนที่คุณจะเริ่มดำเนินการตามขั้นตอนในหัวข้อนี้ โปรดปฏิบัติตามคำแนะนำเพื่อความปลอดภัยใน **คู่มือข้อมูลผลิตภัณฑ์**

คุณต้องทำตามทุกขั้นตอนเพื่อให้การติดตั้งคอมพิวเตอร์ของคุณเป็นไปอย่างถูกต้อง โปรดดูภาพที่เกี่ยวข้องซึ่งอยู่ต่อจากคำแนะนำในการติดตั้ง

- 1 ใช้พอร์ต USB ที่อยู่ด้านหลังคอมพิวเตอร์เพื่อต่อเข้ากับแป้นพิมพ์และเมาส์
- 2 ต่อสายโมเด็มหรือสายเคเบิลของเน็ตเวิร์กเข้ากับเครื่อง

➡️ ข้อสังเกต: ในการเชื่อมต่อสายเคเบิลเน็ตเวิร์ก ให้เสียบสายเคเบิลเข้ากับแจ็คตึตฝาผนังของเน็ตเวิร์ก แล้วเสียบเข้ากับเครื่องคอมพิวเตอร์

เสียบสายเคเบิลของเน็ตเวิร์ก (ไม่ใช่สายโทรศัพท์) เข้ากับช่องเสียบเน็ตเวิร์ก หากคุณใช้โมเด็มแบบเลือกติดตั้งได้ ให้ต่อสายโทรศัพท์เข้ากับช่องเสียบโมเด็ม

➡️ ข้อสังเกต: ห้ามเสียบสายโมเด็มเข้ากับเน็ตเวิร์กอะแดปเตอร์ เพราะแรงดันไฟฟ้าจากสายโทรศัพท์อาจทำความเสียหายแก่เน็ตเวิร์กอะแดปเตอร์ได้

- 3 ต่อจอภาพเข้ากับเครื่อง


จัดวางหัวเสียบสายจอภาพให้ตรงแนวแล้วค่อยๆ เสียบเข้ากับคอมพิวเตอร์เพื่อไม่ให้ขาของช่องเสียบของ ชันสกรูที่ช่องเสียบสายเคเบิลให้แน่น


🖥️ หมายเหตุ: จอภาพบางแบบจะมีช่องเสียบจอภาพอยู่ล่างสุดของด้านหลังหน้าจอ โปรดดูเอกสารที่มาพร้อมกับจอภาพสำหรับตำแหน่งของช่องเสียบ

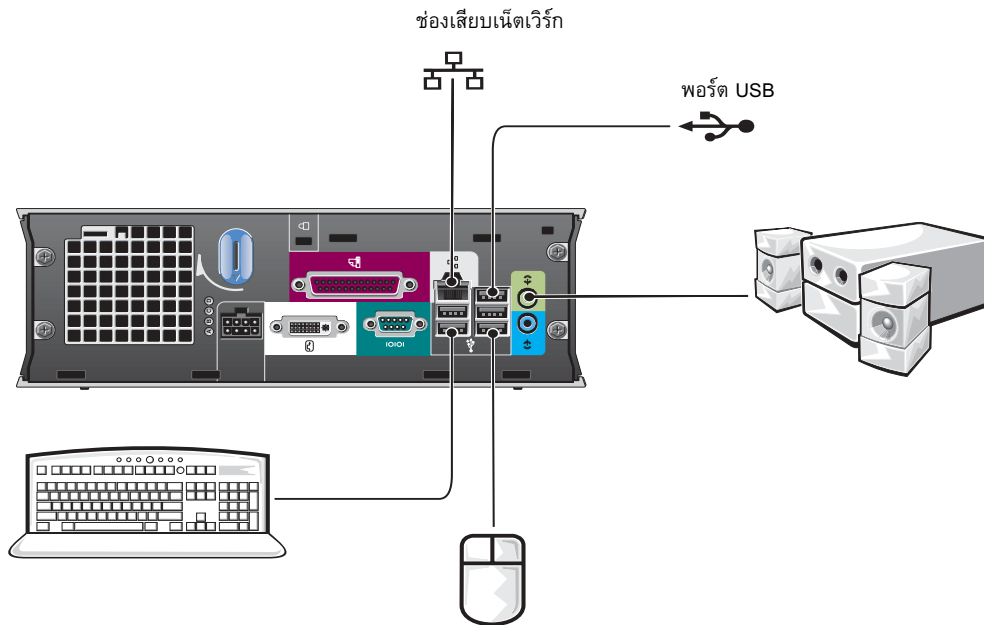
- 4 ต่อลำโพงเข้ากับเครื่อง

5 ต่อสายไฟเข้ากับคอมพิวเตอร์ จอภาพ และอุปกรณ์อื่นๆ แล้วเสียบปลายอีกด้านหนึ่งของสายไฟเข้ากับเต้าเสียบไฟ

6 กดปุ่มเพาเวอร์เพื่อเปิดเครื่องคอมพิวเตอร์และจอภาพ

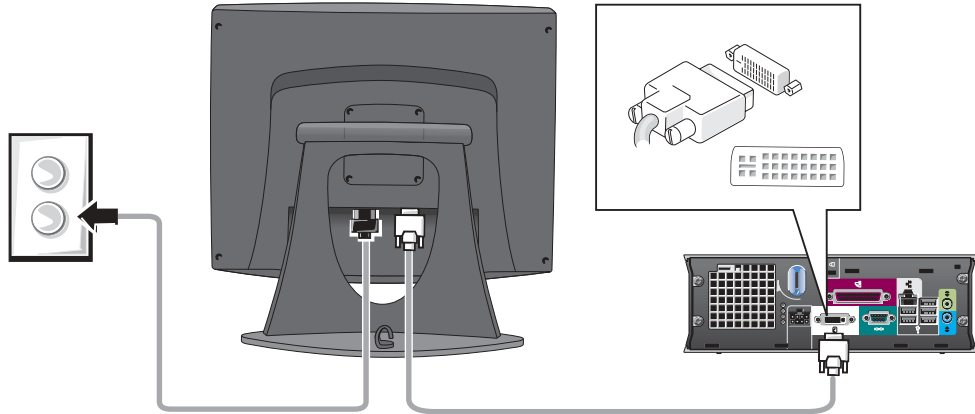
 **หมายเหตุ:** ก่อนติดตั้งอุปกรณ์หรือซอฟต์แวร์ใดๆ ที่ไม่ได้มาพร้อมกับเครื่องคอมพิวเตอร์ โปรดอ่านเอกสารที่มาพร้อมกับซอฟต์แวร์หรืออุปกรณ์นั้นๆ หรือติดต่อผู้จำหน่ายเพื่อตรวจสอบให้แน่ใจว่าซอฟต์แวร์หรืออุปกรณ์นั้นๆ สามารถใช้กับคอมพิวเตอร์และระบบปฏิบัติการของคุณได้

 **หมายเหตุ:** คอมพิวเตอร์ของคุณอาจแตกต่างจากภาพแสดงการติดตั้งดังต่อไปนี้เล็กน้อย



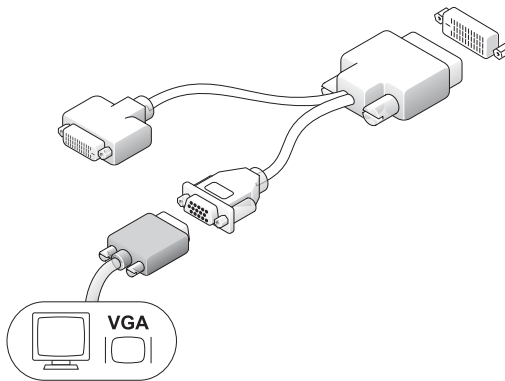
การเชื่อมต่อจอภาพ DVI

หากคุณมีจอภาพที่ใช้งานแบบ DVI ได้ ให้เสียบสายเคเบิลจากจอภาพของคุณเข้ากับช่องเสียบสำหรับจอภาพ DVI สีขาวที่อยู่ด้านหลังเครื่องคอมพิวเตอร์



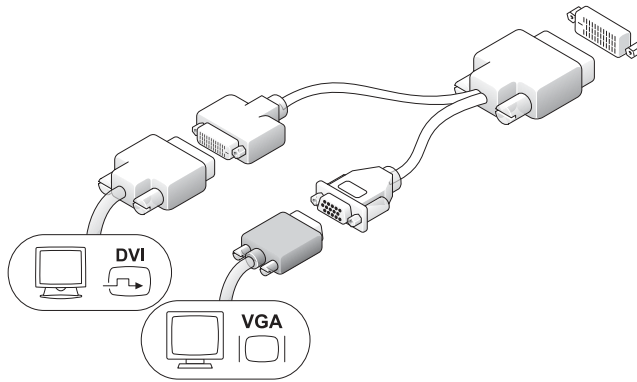
การเชื่อมต่อจอภาพ VGA

หากคุณมีจอภาพที่ใช้งานแบบ VGA ได้ ให้ใช้สายอะแดปเตอร์เพื่อต่อกับสายเคเบิลจากจอภาพของคุณเข้ากับช่องเสียบสำหรับจอภาพ DVI สีขาวที่อยู่ด้านหลังเครื่องคอมพิวเตอร์



การเชื่อมต่อจอภาพสองจอภาพ

ใช้สายอะแดปเตอร์เพื่อเชื่อมต่อจอภาพ VGA และจอภาพ DVI กับช่องเสียบสำหรับจอภาพ DVI สีขาวที่อยู่ด้านหลังเครื่องคอมพิวเตอร์



การติดตั้งฮาร์ดดิสก์

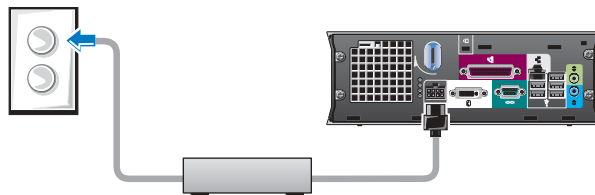
⚠ ข้อควรระวัง: ก่อนที่คุณจะเริ่มดำเนินการตามขั้นตอนในหัวข้อนี้ โปรดปฏิบัติตามคำแนะนำเพื่อความปลอดภัยในคู่มือข้อมูลผลิตภัณฑ์

- 1 หากคุณกำลังติดตั้งไดรฟ์ใหม่ ให้ติดตั้งไดรฟ์ใหม่เข้ากับรางไดรฟ์ ซึ่งอยู่ภายในฝาครอบของเครื่อง
- 2 ต่อสายไฟและสายรับส่งข้อมูลเข้ากับช่องเสียบของฮาร์ดดิสก์ โปรดระมัดระวังอย่าทำให้ข้างของ
- 3 เลื่อนฮาร์ดดิสก์เข้าไปในโครงใส่ไดรฟ์

การเชื่อมต่ออะแดปเตอร์ AC

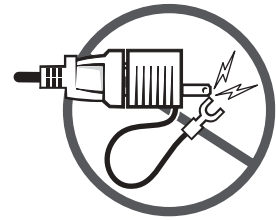
⚠ ข้อควรระวัง: ก่อนที่คุณจะเริ่มดำเนินการตามขั้นตอนในหัวข้อนี้ โปรดปฏิบัติตามคำแนะนำเพื่อความปลอดภัยในคู่มือข้อมูลผลิตภัณฑ์

- 1 ต่ออะแดปเตอร์ไฟเข้ากับช่องเสียบด้านหลังเครื่องคอมพิวเตอร์ ตรวจสอบว่าตัวสลับขั้วเข้าที่แล้ว เพื่อให้แน่ใจว่าจะไม่เกิดปัญหาในการเชื่อมต่อ (คุณจะได้ยินเสียงคลิกหรือรู้สึกว่ามีอาการคลิกเกิดขึ้น)
- 2 ต่อสายไฟเข้ากับอะแดปเตอร์
- 3 หากช่องเสียบสายไฟของเครื่องคอมพิวเตอร์มีการต่อสายดินไว้ และคุณต้องการเชื่อมต่อให้ทำตามขั้นตอนที่ 4 หากคุณไม่ต้องการเชื่อมต่อ ให้ทำตามขั้นตอนที่ 5

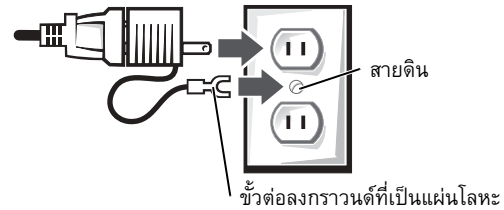


⚠ ข้อควรระวัง: หากสายไฟหรืออะแดปเตอร์ของคุณมีสายกราวด์สีเขียวสำหรับเชื่อมต่อกับเต้าเสียบไฟ ห้ามให้สายกราวด์สีเขียวกับสายไฟสัมผัสกัน เนื่องจากอาจทำให้เกิดไฟฟ้าช็อต, ไฟไหม้ หรือเกิดความเสียหายกับเครื่องคอมพิวเตอร์ของคุณได้ (โปรดดูรูปด้านล่าง)

4. ต่อขั้วต่อลงกราวนด์ที่เป็นแผ่นโลหะกับสายดินบนเต้าเสียบ (โปรดดูรูปด้านล่าง):
 - a. คลายสายดินออก
 - b. เลื่อนขั้วต่อลงกราวนด์ที่เป็นแผ่นโลหะให้อยู่ด้านหลังสายดิน และต่อสายดินกลับเข้าไป

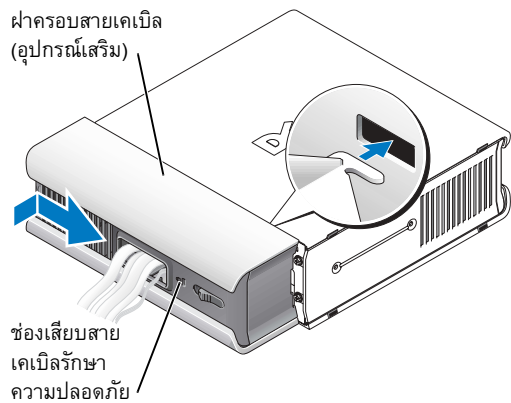


5. ต่อสายไฟของอะแดปเตอร์ AC กับเต้าเสียบไฟ





การติดตั้งฝาครอบสายเคเบิลที่เป็นอุปกรณ์เสริม

1. โปรดตรวจสอบให้แน่ใจว่าสายเคเบิลของอุปกรณ์ภายนอกทั้งหมดร้อยผ่านช่องในฝาครอบสายเคเบิล และต่อเข้ากับแผงด้านหลังของคอมพิวเตอร์
2. จับที่ด้านล่างฝาครอบสายเคเบิล แล้วจัดแนวแท็บทั้งสองให้ตรงกับช่องเสียบทั้งสองที่แผงด้านหลังเครื่องคอมพิวเตอร์
3. โส้แท็บทั้งสองลงในช่องทั้งสอง แล้วเลื่อนฝาครอบสายเคเบิลไปทางด้านไฟแสดงการวินิจฉัย (โปรดดูภาพประกอบ) จนกระทั่งฝาครอบอยู่ในตำแหน่งที่แน่นเข้าที่
4. ติดตั้งอุปกรณ์รักษาความปลอดภัยในช่องเสียบสายเคเบิลรักษาความปลอดภัย (เลือกได้)



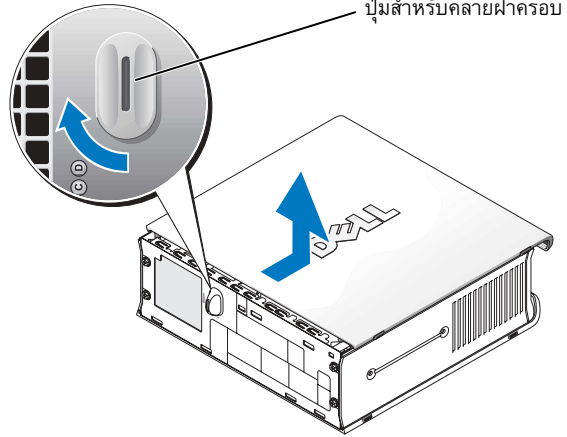
ภายในเครื่องคอมพิวเตอร์ของคุณ

การถอดฝาครอบเครื่องคอมพิวเตอร์

-  ข้อควรระวัง: ก่อนที่คุณจะเริ่มดำเนินการตามขั้นตอนในหัวข้อนี้ โปรดปฏิบัติตามคำแนะนำเพื่อความปลอดภัยในคู่มือข้อมูลผลิตภัณฑ์
-  ข้อควรระวัง: ในการป้องกันไฟฟ้าช็อต ให้ถอดปลั๊กของเครื่องคอมพิวเตอร์ออกจากเต้าเสียบไฟก่อนที่จะถอดฝาครอบเครื่องเสมอ



ข้อควรระวัง: ในการป้องกันความเสียหายจากไฟฟ้าสถิตที่อาจเกิดกับส่วนประกอบในตู้เครื่อง ให้คายประจุไฟฟ้าสถิตออกจากร่างกายก่อนที่คุณจะสัมผัสชิ้นส่วนอิเล็กทรอนิกส์ใดๆ ของคอมพิวเตอร์ โดยแตะที่ผิวโลหะที่ไม่มีสีเคลือบบนโครงภายในของคอมพิวเตอร์



- 1 ถอดฝาครอบเครื่องคอมพิวเตอร์
 - a หมุนปุ่มเพื่อคลายฝาครอบในทิศทางตามเข็มนาฬิกา ดังแสดงในรูป
 - b เลื่อนฝาครอบเครื่องคอมพิวเตอร์ไปทางด้านหน้า 1 ซม. (0.5 นิ้ว) หรือจนสุด แล้วยกฝาครอบขึ้น

ภาพแสดงภายใน

แผงพัดลมระบายความร้อนของโปรเซสเซอร์

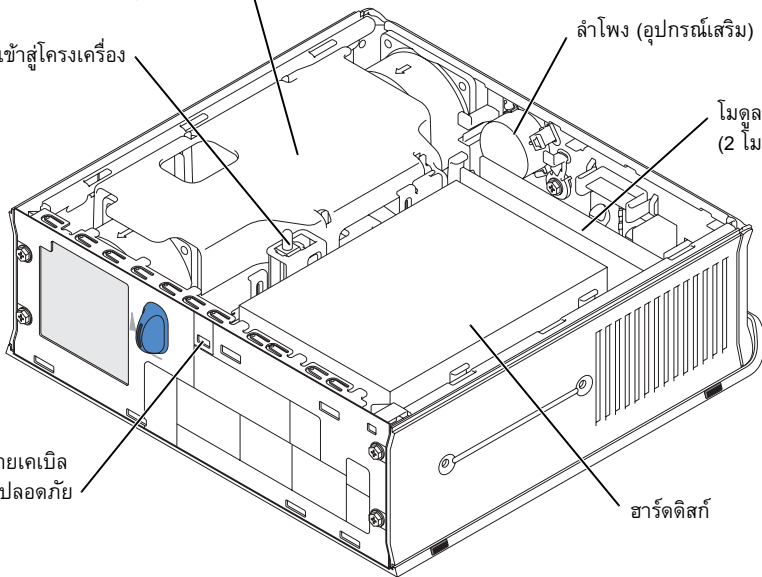
สวิตซ์การเข้าสู่โครงเครื่อง

ลำโพง (อุปกรณ์เสริม)

โมดูลหน่วยความจำ (2 โมดูล)

ช่องเสียบสายเคเบิลรักษาความปลอดภัย

ฮาร์ดดิสก์



การใส่ฝาครอบเครื่องคอมพิวเตอร์กลับคืน



ข้อควรระวัง: ก่อนที่คุณจะเริ่มดำเนินการตามขั้นตอนในหัวข้อนี้ โปรดปฏิบัติตามคำแนะนำเพื่อความปลอดภัยในคู่มือข้อมูลผลิตภัณฑ์

- 1 ใส่ฝาครอบเครื่องคอมพิวเตอร์กลับคืน:
 - a วางฝาครอบลงและจัดตำแหน่งให้ฝาครอบเข้ากับขอบโลหะของตัวเครื่องคอมพิวเตอร์พอดี
 - b เลื่อนฝาครอบจนกระทั่งคุณได้ยินเสียงคลิกหรือจนเข้าที่
- 2 เชื่อมต่อเครื่องคอมพิวเตอร์เข้ากับอะแดปเตอร์ไฟแล้วต่ออุปกรณ์ต่างๆ เข้ากับเต้าเสียบไฟ จากนั้นให้เปิดเครื่อง

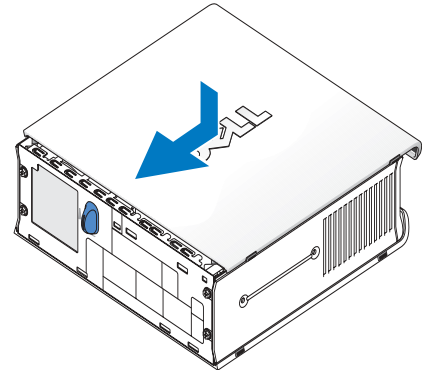
หากตั้งค่าระบบเตือนการเข้าถึงภายใน เครื่องคอมพิวเตอร์ที่ **On** ข้อความต่อไปนี้จะปรากฏขึ้นบนหน้าจอหลังจากที่เครื่องคอมพิวเตอร์เริ่มทำงาน:

ALERT! Cover was previously removed.

- 3 ลบค่าสถานะการเตือนการเข้าถึงภายใน เครื่องคอมพิวเตอร์โดยการป้อนการตั้งค่าระบบ แล้วเลือกตัวเลือก **Clear** ภายใต้ตัวเลือก **Intrusion Status** โปรดดูข้อมูลเกี่ยวกับระบบเตือนการเข้าถึงภายใน เครื่องคอมพิวเตอร์ที่ *คู่มือผู้ใช้* แบบออนไลน์



หมายเหตุ: หากมีบุคคลอื่นเป็นผู้กำหนดรหัสผ่านของผู้บริหารระบบ ให้ติดต่อผู้บริหารระบบเน็ตเวิร์กเพื่อขอข้อมูลเกี่ยวกับการตั้งค่าระบบเตือนการเข้าถึงภายในเครื่องคอมพิวเตอร์อีกครั้ง



การแก้ปัญหา

Dell ได้จัดเตรียมเครื่องมือต่างๆ มากมายสำหรับช่วยเหลือคุณ หากเครื่องคอมพิวเตอร์ของคุณทำงานผิดปกติ สำหรับข้อมูลล่าสุดเกี่ยวกับการแก้ไขปัญหาระบบคอมพิวเตอร์ของคุณ โปรดดูในเว็บไซต์สนับสนุนของ Dell ที่ support.dell.com

หากเกิดปัญหาขึ้นกับเครื่องคอมพิวเตอร์ของคุณ ซึ่งจำเป็นต้องขอรับความช่วยเหลือจาก Dell ให้คุณเขียนคำอธิบายอย่างละเอียดเกี่ยวกับข้อผิดพลาด รหัสการส่งเสียงบี๊พ หรือรูปแบบไฟแสดงการวินิจฉัย แล้วบันทึกรหัสบริการด่วนและป้ายกำกับบริการที่อยู่ด้านล่าง หลังจากนั้นให้โทรติดต่อ Dell ที่อยู่ในพื้นที่เดียวกันกับคอมพิวเตอร์ของคุณ

โปรดดูตัวอย่างของรหัสบริการด่วน และป้ายกำกับบริการได้ที่หัวข้อ “การหาข้อมูล” ในหน้า 105

รหัสบริการด่วน: _____

ป้ายกำกับบริการ: _____

โปรแกรมการวินิจฉัยของ Dell



ข้อควรระวัง: ก่อนที่คุณจะเริ่มดำเนินการตามขั้นตอนในหัวข้อนี้ โปรดปฏิบัติตามคำแนะนำเพื่อความปลอดภัยในคู่มือข้อมูลผลิตภัณฑ์

เมื่อใดจึงต้องใช้โปรแกรมการวินิจฉัยของ Dell

หากคุณประสบปัญหาเกี่ยวกับเครื่องคอมพิวเตอร์ของคุณ ให้คุณทำการตรวจสอบตามหัวข้อใน “การติดตั้งเครื่องคอมพิวเตอร์” ในหน้า 110 แล้วรันโปรแกรมการวินิจฉัยของ Dell ก่อนที่จะติดต่อขอความช่วยเหลือทางด้านเทคนิคจาก Dell



ข้อสังเกต: โปรแกรมการวินิจฉัยของ Dell จะทำงานได้กับคอมพิวเตอร์ Dell™ เท่านั้น

ให้เข้าสู่การตั้งค่าระบบ ตรวจสอบข้อมูลค่าคอนฟิเกอเรชันของคอมพิวเตอร์ และตรวจสอบว่าอุปกรณ์ที่คุณต้องการทดสอบแสดงอยู่ในการตั้งค่าระบบและใช้งานได้ โปรดดูข้อมูลเกี่ยวกับการตั้งค่าระบบได้ที่ *คู่มือผู้ใช้* แบบออนไลน์

เริ่มโปรแกรมการวินิจฉัยของ Dell จากฮาร์ดดิสก์ (โปรดดูที่ “การเริ่มโปรแกรมการวินิจฉัยของ Dell จากฮาร์ดดิสก์ของคุณ” ในหน้า 119) หรือจากแผ่นซีดี *ไดรวเวอร์และยูทิลิตี้* (หรือเรียกว่าแผ่น ResourceCD โปรดดูที่ “การเริ่มโปรแกรมการวินิจฉัยของ Dell จากแผ่นซีดีไดรวเวอร์และยูทิลิตี้” ในหน้า 119)

การเริ่มโปรแกรมการวินิจฉัยของ Dell จากฮาร์ดดิสก์ของคุณ

- 1 เปิด (หรือรีสตาร์ท) เครื่องคอมพิวเตอร์
- 2 เมื่อโลโก้ DELL™ ปรากฏขึ้น ให้กดปุ่ม <F12> ทันที



หมายเหตุ: หากคุณได้รับข้อความแจ้งว่าไม่พบพาร์ติชันยูทิลิตี้ของโปรแกรมวินิจฉัย โปรดดูที่ “การเริ่มโปรแกรมการวินิจฉัยของ Dell จากแผ่นซีดีไดรวเวอร์และยูทิลิตี้” ในหน้า 119

หากคุณรอเป็นเวลานานมากจนกระทั่งโลโก้ของระบบปฏิบัติการปรากฏขึ้น ให้คุณรอต่อไปจนกว่าจะเห็นเดสก์ทอปของ Microsoft® Window® ปรากฏขึ้น หลังจากนั้น ให้ปิดเครื่องคอมพิวเตอร์ และเปิดเครื่องอีกครั้ง โปรดดูข้อมูลเกี่ยวกับการปิดการทำงานได้ที่ *คู่มือผู้ใช้* แบบออนไลน์

- 3 เมื่อรายการอุปกรณ์สำหรับการบูตปรากฏขึ้น ให้ไฮไลต์ที่ **Boot to Utility Partition** และกดปุ่ม <Enter>
- 4 เมื่อ **Main Menu** ของโปรแกรมการวินิจฉัยของ Dell ปรากฏขึ้น ให้เลือกการทดสอบที่คุณต้องการรัน (โปรดดูที่หน้า 120)

การเริ่มโปรแกรมการวินิจฉัยของ Dell จากแผ่นซีดีไดรวเวอร์และยูทิลิตี้

- 1 ใส่แผ่นซีดี *ไดรวเวอร์และยูทิลิตี้*
- 2 ปิดเครื่อง แล้วบูตเครื่องใหม่
เมื่อโลโก้ DELL ปรากฏขึ้น ให้กดปุ่ม <F12> ทันที

หากคุณรอเป็นเวลานานมากจนกระทั่งโลโก้ของ Windows ปรากฏขึ้น ให้คุณรอต่อไปจนกว่าจะเห็นเดสก์ทอปของ Windows ปรากฏขึ้น หลังจากนั้น ให้ปิดเครื่องคอมพิวเตอร์ และเปิดเครื่องอีกครั้ง



หมายเหตุ: ขั้นตอนต่อไปจะเปลี่ยนลำดับการบูตเพียงหนึ่งครั้งเท่านั้น เมื่อเริ่มต้นระบบปฏิบัติการในครั้งต่อไป เครื่องคอมพิวเตอร์จะบูตตามลำดับอุปกรณ์ที่ระบุไว้ในโปรแกรมการตั้งค่าระบบ

- 3 เมื่อรายการอุปกรณ์สำหรับการบูตปรากฏขึ้น ให้ไฮไลต์ที่ **Onboard or USB CD-ROM** แล้วกดปุ่ม <Enter>
- 4 เลือก **Onboard or USB CD-ROM Device** จากเมนูการบูตแผ่นซีดี
- 5 เลือกตัวเลือก **Boot from CD-ROM** จากเมนูที่ปรากฏ
- 6 พิมพ์เลข 1 เพื่อเริ่มต้นเมนูของ ResourceCD
- 7 พิมพ์เลข 2 เพื่อเริ่มต้นโปรแกรมการวินิจฉัยของ Dell
- 8 เลือก **Run the 32 Bit Dell Diagnostics** จากรายการที่กำหนดเป็นตัวเลขไว้ หากแสดงเวอร์ชันหลายเวอร์ชัน โปรดตรวจดูว่าคุณได้เลือกเวอร์ชันที่เหมาะสมกับคอมพิวเตอร์ของคุณแล้ว
- 9 เมื่อ **Main Menu** ของโปรแกรมการวินิจฉัยของ Dell ปรากฏขึ้น ให้เลือกการทดสอบที่คุณต้องการรัน (โปรดดูที่หน้า 120)

เมนูหลักของโปรแกรมการวินิจฉัยของ Dell

- 1 หลังจากไฮไลต์โปรแกรมการวินิจฉัยของ Dell แล้ว และหน้าจอ **Main Menu** ปรากฏขึ้น ให้คลิกปุ่มตัวเลือกที่คุณต้องการ

ตัวเลือก	ฟังก์ชัน
Express Test	ดำเนินการทดสอบอุปกรณ์อย่างรวดเร็ว โดยทั่วไปแล้ว การทดสอบนี้จะใช้เวลาประมาณ 10 ถึง 20 นาที และคุณไม่จำเป็นต้องได้ตอบใดๆ ก่อนอื่น ให้รัน Express Test เพื่อให้ทราบสาเหตุของปัญหาได้รวดเร็วยิ่งขึ้น
Extended Test	ดำเนินการตรวจสอบอุปกรณ์อย่างละเอียด โดยทั่วไปแล้ว การทดสอบนี้จะใช้เวลาประมาณอย่างน้อยหนึ่งชั่วโมงหรือมากกว่านี้ และคุณจำเป็นต้องตอบคำถามบางอย่างเป็นครั้งคราว
Custom Test	ทดสอบอุปกรณ์บางประเภท คุณสามารถปรับแต่งการทดสอบที่คุณต้องการรันได้
Symptom Tree	แสดงอาการทั่วไปที่พบ และให้คุณเลือกการทดสอบได้ตามอาการของปัญหาที่เกิดขึ้น

- 2 หากเกิดปัญหาขึ้นระหว่างการทดสอบ จะปรากฏข้อความขึ้นพร้อมรหัสข้อผิดพลาดและรายละเอียดของปัญหา ให้จอร์รหัสข้อผิดพลาดและรายละเอียดของปัญหา แล้วทำตามคำแนะนำบนหน้าจอ หากคุณไม่สามารถแก้ไขความผิดพลาดได้ โปรดติดต่อ Dell



หมายเหตุ: ป้ายกำกับกับการบริการของคอมพิวเตอร์จะอยู่ที่ด้านบนของหน้าจอทดสอบทั้งหมด หากคุณติดต่อ Dell ฝ่ายสนับสนุนทางด้านเทคนิคจะสอบถามถึงป้ายกำกับกับการบริการของคุณ

- 3 หากคุณรันการทดสอบจากตัวเลือก **Custom Test** หรือ **Symptom Tree** ให้คลิกที่แท็บที่ใช้ได้ซึ่งอธิบายไว้ในตารางต่อไปนี้เพื่อดูข้อมูลเพิ่มเติม

แท็บ	ฟังก์ชัน
Results	แสดงผลการทดสอบและความผิดพลาดต่างๆ ที่พบ
Errors	แสดงความผิดพลาดต่างๆ ที่เกิดขึ้น, รหัสข้อผิดพลาด และรายละเอียดของปัญหา
Help	อธิบายการทดสอบ และแสดงถึงข้อกำหนดสำหรับการรันการทดสอบ

แท็บ	ฟังก์ชัน
Configuration	แสดงค่าคอนฟิเกอเรนซ์ของฮาร์ดแวร์สำหรับอุปกรณ์ที่เลือก โปรแกรมการวินิจฉัยของ Dell จะได้รับข้อมูลค่าคอนฟิเกอเรนซ์ของอุปกรณ์ทั้งหมดจากการตั้งค่าระบบ หน่วยความจำ และการทดสอบภายในต่างๆ และจะแสดงข้อมูลต่างๆ ในรายการอุปกรณ์ที่หน้าต่าง ด้านซ้ายของหน้าจอ รายการอุปกรณ์จะไม่แสดงชื่อของส่วนประกอบต่างๆ ที่ติดตั้งในเครื่องคอมพิวเตอร์ หรืออุปกรณ์ทั้งหมดที่ติดตั้งอยู่กับคอมพิวเตอร์ของคุณ
Parameters	ให้คุณสามารถปรับแต่งการทดสอบได้โดยการเปลี่ยนการตั้งค่าการทดสอบ

- เมื่อการทดสอบเสร็จสมบูรณ์แล้ว ให้นำแผ่นซีดีออก หากคุณรัน โปรแกรมการวินิจฉัยของ Dell จากแผ่นซีดี ไดรเวอร์และยูทิลิตี้
- ปิดหน้าจอการทดสอบ เพื่อกลับไปหน้าจอ **Main Menu** ในการออกจากโปรแกรมการวินิจฉัยของ Dell และบูตเครื่องใหม่ ให้ปิดหน้าจอ **Main Menu**

ไฟแสดงสถานะแหล่งจ่ายไฟ

สถานะไฟ	สถานะ PSU	คำอธิบาย	การแก้ไขปัญหา
ไฟไม่สว่าง	ไม่มีไฟเข้าหรือมี บางอย่างผิดปกติ	หมายความว่าแหล่งจ่ายไฟไม่ได้รับกระแสไฟจากเต้าเสียบ หรือแหล่งจ่ายไฟไม่ทำงานเนื่องจากเกิดปัญหาบางอย่าง	ตรวจสอบให้แน่ใจว่าเต้าเสียบไฟใช้งานได้ โดยทดสอบกับอุปกรณ์ชนิดอื่น เช่น โคมไฟ ตรวจสอบว่าได้เสียบสายไฟ AC กับ แหล่งจ่ายไฟอย่างถูกต้อง และอาจลองเสียบ สายไฟ AC กับแหล่งจ่ายไฟอีกครั้ง หากจำเป็น ถอดสายไฟ AC ออกจากแหล่งจ่ายไฟ และ ถอดสายไฟ DC ออกจากเครื่องคอมพิวเตอร์ ที่งัไว้ประมาณ 10 วินาที จากนั้นต่อสายไฟ AC เข้ากับแหล่งจ่ายไฟ ไฟสถานะของ แหล่งจ่ายไฟควรเป็นสีเขียว ต่อสายไฟ DC เข้ากับคอมพิวเตอร์อีกครั้ง ไฟสถานะของ แหล่งจ่ายไฟควรเป็นสีเขียว
สีเหลือง	มีไฟ AC/ไฟไม่เข้า	หมายความว่าแหล่งจ่ายไฟเสียบต่อกับเต้าเสียบที่มีกระแสไฟ แต่ไม่ได้เสียบเข้ากับคอมพิวเตอร์	ตรวจสอบว่าได้เสียบปลั๊กของแหล่งจ่ายไฟ เข้ากับคอมพิวเตอร์จนสุด และตัวสลักยึดแน่น เข้าที่ เสียบสายการเชื่อมต่อต่างๆ อีกครั้ง หากจำเป็น
สีเขียว	มีไฟ AC/มีไฟเข้า	หมายความว่าแหล่งจ่ายไฟได้รับกระแสไฟจากเต้าเสียบ และต่อเข้ากับคอมพิวเตอร์อย่างถูกต้อง	ตรวจสอบไฟที่ปุ่มเพาเวอร์ และ โปรดดูที่ “ไฟแสดงสถานะของเครื่องคอมพิวเตอร์” ในหน้า 122

ไฟแสดงสถานะของเครื่องคอมพิวเตอร์

ไฟที่ปุ่มเพาเวอร์และไฟที่ฮาร์ดดิสก์แสดงถึงปัญหาที่เกิดขึ้นกับคอมพิวเตอร์

ไฟสถานะ	ลักษณะปัญหา	ทางแก้ปัญหาที่แนะนำ
ไฟสถานะสีเขียวเข้ม และไม่มีรหัสบี๊ป แต่เครื่องคอมพิวเตอร์ใช้งานไม่ได้ในระหว่างกระบวนการทดสอบตัวเองเมื่อเปิดเครื่อง	อุปกรณ์เมนบอร์ดในเครื่องอาจเกิดข้อผิดพลาด	ตรวจสอบ “ไฟแสดงการวินิจฉัย” ในหน้า 123 เพื่อดูว่ามีการกล่าวถึงปัญหานี้หรือไม่ หากไม่มีการระบุปัญหาไว้ ให้ติดต่อ Dell เพื่อขอความช่วยเหลือด้านเทคนิค
ไฟสถานะสว่างนึ่ง เป็นสีเขียวและไม่มีรหัสบี๊ป รวมทั้งวิดีโอไม่ทำงานในระหว่างกระบวนการทดสอบตัวเองเมื่อเปิดเครื่อง	จอภาพอาจมีปัญหาหรือติดตั้งไม่ถูกต้อง	ตรวจสอบ “ไฟแสดงการวินิจฉัย” ในหน้า 123 เพื่อดูว่ามีการกล่าวถึงปัญหานี้หรือไม่
ไฟสว่างนึ่งเป็นสีเขียว และมีรหัสบี๊ปในระหว่างกระบวนการทดสอบตัวเองเมื่อเปิดเครื่อง	พบข้อผิดพลาดขณะรันไบออส	โปรดดูคำแนะนำเกี่ยวกับการวินิจฉัยรหัสบี๊ปที่ “การรันโปรแกรมการวินิจฉัยฮาร์ดดิสก์แบบ IDE ของ Dell™” ในหน้า 126 นอกจากนี้ ให้ตรวจสอบไฟแสดงการวินิจฉัย เพื่อดูว่ามีการกล่าวถึงปัญหานี้หรือไม่
สว่างนึ่งเป็นสีเหลือง	โปรแกรมการวินิจฉัยของ Dell กำลังรันการทดสอบ หรืออุปกรณ์บนเมนบอร์ดอาจมีข้อผิดพลาดหรือติดตั้งอุปกรณ์นั้นไม่ถูกต้อง	หากโปรแกรมการวินิจฉัยของ Dell กำลังรันการทดสอบ โปรดรอก่อนว่าการทดสอบจะสิ้นสุด ตรวจสอบ “ไฟแสดงการวินิจฉัย” ในหน้า 123 เพื่อดูว่ามีการกล่าวถึงปัญหานี้หรือไม่ หากคอมพิวเตอร์ของคุณไม่บูต โปรดติดต่อ Dell เพื่อขอความช่วยเหลือด้านเทคนิค
สีเขียวกะพริบหลายครั้งแล้วดับไป	มีข้อผิดพลาดในการตั้งค่าคอนฟิเกอเรชัน	ตรวจสอบ “ไฟแสดงการวินิจฉัย” ในหน้า 123 เพื่อดูว่ามีการกล่าวถึงปัญหานี้หรือไม่
ไฟกะพริบสีเขียว	คอมพิวเตอร์อยู่ในสถานะรอทำงาน (Microsoft® Windows® 2000 และ Windows XP)	กดปุ่มเพาเวอร์เพื่อให้คอมพิวเตอร์กลับสู่การทำงาน
สว่างนึ่งเป็นสีเขียว	เครื่องเปิดอยู่ และทำงานตามปกติ	ไม่ต้องดำเนินการแก้ไขใดๆ





ไฟแสดงการวินิจฉัย

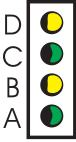
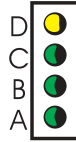



ข้อควรระวัง: ก่อนที่คุณจะเริ่มดำเนินการตามขั้นตอนในหัวข้อนี้ โปรดปฏิบัติตามคำแนะนำเพื่อความปลอดภัยในคู่มือข้อมูลผลิตภัณฑ์

เครื่องคอมพิวเตอร์จะมีตัวอักษร 4 ตัวกำกับไฟแต่ละดวง คือ “A” “B” “C” และ “D” ที่แผงด้านหลังเครื่อง (โปรดดูที่หน้า 109) ทั้งนี้ เพื่อช่วยในการแก้ไขปัญหาของคุณ โดยไฟสามารถเป็นได้ทั้งสีเหลืองหรือสีเขียวก็ได้ ในกรณีที่คอมพิวเตอร์เริ่มทำงานตามปกติ รูปแบบหรือรหัสของไฟจะเปลี่ยนแปลงเมื่อกระบวนการบูตเสร็จสิ้น หากกระบวนการทดสอบตัวเองเมื่อเปิดเครื่องรันเสร็จสมบูรณ์ ไฟทั้งสี่ดวงจะสว่างนึ่งเป็นสีเขียว หากคอมพิวเตอร์เกิดปัญหาในระหว่างกระบวนการทดสอบตัวเอง รูปแบบไฟที่ปรากฏสามารถช่วยบ่งชี้ได้ว่าเกิดข้อผิดพลาดของเครื่องในขั้นตอนใด

รูปแบบไฟ	ลักษณะปัญหา	ทางแก้ปัญหาที่แนะนำ
	<p>ไม่ติด เครื่องคอมพิวเตอร์ปิดอยู่โดยไม่มีอะไรติดปกติ</p> <p>ไม่ติด หรืออาจเกิดกระบวนการก่อนรันไบออสล้มเหลว</p> <p>ไม่ติด</p> <p>ไม่ติด</p>	<p>เสียบปลั๊กเครื่องคอมพิวเตอร์เข้ากับเต้าเสียบไฟ แล้วกดปุ่มเพาเวอร์</p>
	<p>สีเขียว อาจเกิดข้อผิดพลาดกับไบออส; เครื่องคอมพิวเตอร์</p> <p>สีเหลือง อยู่ในโหมดเรียกคืน</p> <p>สีเหลือง</p> <p>สีเหลือง</p>	<p>รันยูทิลิตี้การเรียกคืนไบออส รอนจนกระทั่งการเรียกคืนเสร็จสมบูรณ์ แล้วเริ่มระบบใหม่</p>
	<p>สีเหลือง อาจเกิดข้อผิดพลาดกับโปรเซสเซอร์</p> <p>สีเขียว</p> <p>สีเหลือง</p> <p>สีเหลือง</p>	<p>ติดตั้งโปรเซสเซอร์ใหม่แล้วบูตเครื่องอีกครั้ง โปรดดูข้อมูลเกี่ยวกับการติดตั้งโปรเซสเซอร์ใหม่ได้ที่ คู่มือผู้ใช้แบบออนไลน์</p>

รูปแบบไฟ	ลักษณะปัญหา	ทางแก้ปัญหาที่แนะนำ
	<p>สีเขียว สีเขียว สีเหลือง สีเหลือง</p> <p>ตรวจพบโมดูลหน่วยความจำ แต่เกิดข้อผิดพลาดกับหน่วยความจำนั้น</p>	<ul style="list-style-type: none"> • หากคุณติดตั้งโมดูลหน่วยความจำไว้โมดูลเดียว ให้ติดตั้งโมดูลนั้นอีกครั้ง แล้วบูตเครื่อง โปรดดูข้อมูลเกี่ยวกับการติดตั้งโมดูลหน่วยความจำใหม่ได้ที่ <i>คู่มือผู้ใช้</i> แบบออนไลน์ • หากคุณติดตั้งโมดูลหน่วยความจำไว้สองโมดูล ให้ถอดโมดูลทั้งหมดออก ติดตั้งโมดูลกลับเข้าไปใหม่โมดูลเดียว แล้วบูตเครื่อง หากเครื่องเริ่มต้นระบบตามปกติ ให้ติดตั้งโมดูลที่เหลือ • ติดตั้งหน่วยความจำประเภทเดียวกันที่ทำงานได้อย่างถูกต้องลงในเครื่องคอมพิวเตอร์ หากใช้ได้ • หากปัญหายังคงอยู่ โปรดติดต่อ Dell
	<p>สีเหลือง สีเขียว สีเขียว สีเหลือง</p> <p>อาจเกิดข้อผิดพลาดกับฟลอปปีไดรฟ์หรือฮาร์ดดิสก์</p>	<p>ติดตั้งสายไฟและสายรับส่งข้อมูลทั้งหมด แล้วบูตเครื่อง</p>
	<p>สีเขียว สีเขียว สีเขียว สีเหลือง</p> <p>อาจเกิดข้อผิดพลาดกับ USB</p>	<p>ติดตั้งอุปกรณ์ USB ทั้งหมดใหม่ ตรวจสอบการเชื่อมต่อสายเคเบิล แล้วบูตเครื่อง</p>
	<p>สีเหลือง สีเหลือง สีเหลือง สีเขียว</p> <p>ไม่พบโมดูลหน่วยความจำ</p>	<ul style="list-style-type: none"> • หากคุณติดตั้งโมดูลหน่วยความจำไว้โมดูลเดียว ให้ติดตั้งโมดูลอีกครั้ง แล้วบูตเครื่อง โปรดดูข้อมูลเกี่ยวกับการติดตั้งโมดูลหน่วยความจำใหม่ได้ที่ <i>คู่มือผู้ใช้</i> แบบออนไลน์ • หากคุณติดตั้งโมดูลหน่วยความจำไว้สองโมดูล ให้ถอดโมดูลทั้งหมดออก ติดตั้งโมดูลกลับเข้าไปใหม่โมดูลเดียว แล้วบูตเครื่อง หากเครื่องเริ่มต้นระบบตามปกติ ให้ติดตั้งโมดูลที่เหลือ • ติดตั้งหน่วยความจำประเภทเดียวกันที่ทำงานได้อย่างถูกต้องลงในเครื่องคอมพิวเตอร์ หากใช้ได้ • หากปัญหายังคงอยู่ โปรดติดต่อ Dell

รูปแบบไฟ	ลักษณะปัญหา	ทางแก้ปัญหาที่แนะนำ
	<p>สีเหลือง: ตรวจสอบโมดูลหน่วยความจำ แต่มีข้อผิดพลาดเกี่ยวกับ</p> <p>สีเขียว: เกี่ยวกับการตั้งค่าคอนฟิเกอเรนซ์หน่วยความจำ หรือการใช้งานร่วมกัน</p>	<ul style="list-style-type: none"> ตรวจสอบให้แน่ใจว่าไม่มีข้อกำหนดเกี่ยวกับ โมดูลหน่วยความจำหรือตำแหน่งของช่องเสียบหน่วยความจำแบบพิเศษ โปรดดูข้อมูลเกี่ยวกับ โมดูลหน่วยความจำได้ที่ <i>คู่มือผู้ใช้</i> แบบออนไลน์ ตรวจสอบว่าโมดูลหน่วยความจำที่คุณติดตั้งใช้งานกับเครื่องคอมพิวเตอร์ของคุณได้ หากปัญหายังคงอยู่ โปรดติดต่อ Dell
	<p>สีเหลือง: เกิดข้อผิดพลาดก่อนการบูต</p> <p>สีเขียว: สีเขียว</p> <p>สีเขียว: สีเขียว</p>	<ul style="list-style-type: none"> ตรวจสอบว่าเชื่อมต่อสายเคเบิลจากฮาร์ดดิสก์, ไดรฟ์ซีดี และไดรฟ์ดีวีดี เข้ากับเมนบอร์ดอย่างถูกต้อง ตรวจสอบข้อความของคอมพิวเตอร์ที่ปรากฏบนหน้าจอ หากปัญหายังคงอยู่ โปรดติดต่อ Dell
	<p>สีเขียว: เครื่องคอมพิวเตอร์ทำงานตามปกติหลังกระบวนการ</p> <p>สีเขียว: ทดสอบตัวเองเมื่อเปิดเครื่อง</p> <p>สีเขียว: ไม่มี</p> <p>สีเขียว: ไม่มี</p>	ไม่มี

รหัสการส่งเสียงบี๊พ

เครื่องคอมพิวเตอร์จะส่งเสียงบี๊พเป็นช่วงระหว่างการบูตเครื่อง หากหน้าจอไม่ได้แสดงข้อผิดพลาดหรือปัญหาใดๆ ช่วงของการส่งเสียงบี๊พนี้ ซึ่งก็คือรหัสการส่งเสียงบี๊พ จะแสดงถึงปัญหา รหัสการส่งเสียงบี๊พที่อาจเกิดขึ้นหนึ่งแบบ (รหัส 1-3-1) ประกอบด้วยเสียงบี๊พหนึ่งครั้ง เสียงบี๊พติดต่อกันสามครั้ง แล้วตามด้วยเสียงบี๊พหนึ่งครั้ง รหัสการส่งเสียงบี๊พนี้บอกคุณว่าเครื่องคอมพิวเตอร์กำลังพบปัญหาเกี่ยวกับหน่วยความจำ

หากเครื่องคอมพิวเตอร์ส่งเสียงบี๊พระหว่างการบูตเครื่อง:

- 1 กดปุ่มที่กรหัสการส่งเสียงบี๊พ
- 2 โปรดดูที่ “โปรแกรมการวินิจฉัยของ Dell” ในหน้า 119 เพื่อจำแนกปัญหาในกรณีที่เป็นข้อผิดพลาดขั้นร้ายแรง
- 3 ติดต่อ Dell เพื่อขอความช่วยเหลือด้านเทคนิค

รหัส	สาเหตุ	รหัส	สาเหตุ
1-1-2	เกิดความผิดพลาดที่รีจิสเตอร์ของไมโครโปรเซสเซอร์	3-3-4	เกิดความผิดพลาดในการทดสอบหน่วยความจำ การแสดงผล
1-1-3	เกิดความผิดพลาดของการอ่านและเขียน NVRAM	3-4-1	เกิดความผิดพลาดในการเริ่มต้นหน้าจอ
1-1-4	เกิดความผิดพลาดใน ROM BIOS	3-4-2	เกิดความผิดพลาดในการตรวจสอบหน้าจอ
1-2-1	เกิดความผิดพลาดในตัวนับรอบเวลาที่สามารถโปรแกรมได้	3-4-3	เกิดความผิดพลาดในการค้นหา ROM วิดีโอ
1-2-2	เกิดความผิดพลาดในการเริ่มต้น DMA	4-2-1	ไม่มีหน่วยเวลา
1-2-3	เกิดความผิดพลาดในการอ่าน/เขียนรีจิสเตอร์ของเพจ DMA	4-2-2	เกิดความผิดพลาดในการปิดระบบ
1-3	เกิดความผิดพลาดในการทดสอบหน่วยความจำ การแสดงผล	4-2-3	เกิดความผิดพลาดในเกต A20
1-3-1 ถึง 2-4-4	ไม่สามารถระบุหรือใช้งานหน่วยความจำ	4-2-4	มีการหยุดทำงานโดยไม่คาดหมายใน โปรเทกต์โหมด
3-1-1	เกิดความผิดพลาดของรีจิสเตอร์ Slave DMA	4-3-1	เกิดความผิดพลาดของหน่วยความจำ ที่แอดเดรส 0FFFFh
3-1-2	เกิดความผิดพลาดของรีจิสเตอร์ Master DMA	4-3-3	เกิดความผิดพลาดของตัวนับชิปโทมเมอร์ 2
3-1-3	เกิดความผิดพลาดในอินเทอร์รัปต์มาส์กของรีจิสเตอร์ แบบ Master	4-3-4	นาฬิกาแสดงเวลาของวันหยุดทำงาน
3-1-4	เกิดความผิดพลาดของอินเทอร์รัปต์มาส์กของรีจิสเตอร์ แบบ Slave	4-4-1	เกิดความผิดพลาดในการทดสอบพอร์ตอนุกรม หรือขนาน
3-2-2	เกิดความผิดพลาดในการโหลดอินเทอร์รัปต์เวคเตอร์	4-4-2	เกิดความผิดพลาดในการแทรกหัสให้กับ หน่วยความจำแฟง
3-2-4	เกิดความผิดพลาดในการทดสอบคอนโทรลเลอร์ของ เป็นพิมพ์	4-4-3	เกิดความผิดพลาดในการทดสอบโปรเซสเซอร์ ร่วมประมวลผลทางคณิตศาสตร์
3-3-1	ไม่มีเพาเวอร์ NVRAM	4-4-4	เกิดความผิดพลาดในการทดสอบแคช
3-3-2	การตั้งค่าคอนฟิเกอเรชัน NVRAM ไม่ถูกต้อง		

การรันโปรแกรมการวินิจฉัยฮาร์ดดิสก์แบบ IDE ของ Dell™

โปรแกรมการวินิจฉัยฮาร์ดดิสก์แบบ IDE ของ Dell เป็นยูทิลิตี้ซึ่งทดสอบฮาร์ดดิสก์เกี่ยวกับการแก้ไขข้อบกพร่องหรือยืนยันความล้มเหลวในการทำงานของฮาร์ดดิสก์

- 1 เปิดเครื่องคอมพิวเตอร์ (หากเปิดอยู่แล้ว ให้รีสตาร์ท)
- 2 เมื่อข้อความ F2 = Setup ปรากฏขึ้นที่มุมขวาบนของหน้าจอ ให้กดปุ่ม <Ctrl><Alt><D>
- 3 ทำตามคำแนะนำที่ปรากฏบนหน้าจอ

หากยังมีข้อผิดพลาดอยู่ โปรดดูที่หัวข้อ “ปัญหาเกี่ยวกับฮาร์ดดิสก์” ใน คู่มือการใช้

การแก้ปัญหาการทำงานร่วมกันไม่ได้ระหว่างซอฟต์แวร์และฮาร์ดแวร์

ในกรณีที่ไม่สามารถตรวจพบอุปกรณ์ในระหว่างการตั้งค่าระบบปฏิบัติการ หรือตรวจพบแต่ตั้งค่าคอนฟิกไม่ถูกต้อง คุณสามารถใช้โปรแกรมแก้ไขปัญหาฮาร์ดแวร์เพื่อแก้ไขปัญหาการทำงานร่วมกันไม่ได้ ในระบบปฏิบัติการ Microsoft® Windows® 2000 คุณยังสามารถใช้ Device Manager เพื่อแก้ไขปัญหานี้

วินโดวส์ XP

ในการแก้ไขปัญหาการทำงานร่วมกันไม่ได้โดยใช้โปรแกรมแก้ไขปัญหาฮาร์ดแวร์ ให้ทำดังนี้

- 1 คลิกที่ปุ่ม **Start** จากนั้นคลิกที่ **Help and Support**
- 2 พิมพ์ **hardware troubleshooter** ในฟิลด์ **Search** แล้วคลิกลูกศรเพื่อเริ่มการค้นหา
- 3 คลิกที่ **Hardware Troubleshooter** ในรายการ **Search Results**
- 4 ในรายการ **Hardware Troubleshooter** ให้คลิกที่ **I need to resolve a hardware conflict on my computer** แล้วคลิกที่ **Next**

วินโดวส์ 2000

ในการแก้ไขปัญหาการทำงานร่วมกันไม่ได้โดยใช้ Device Manager ให้ทำดังนี้


- 1 คลิกที่ปุ่ม **Start** เลือก **Settings** แล้วคลิกที่ **Control Panel**
- 2 ในหน้าต่าง **Control Panel** ดับเบิลคลิกที่ **System**
- 3 คลิกที่แท็บ **Hardware**
- 4 คลิกที่ **Device Manager**
- 5 คลิกที่ **View** แล้วคลิกที่ **Resources by connection**
- 6 ดับเบิลคลิกที่ **Interrupt request (IRQ)**
อุปกรณ์ที่ตั้งค่าคอนฟิกไม่ถูกต้องจะมีเครื่องหมายอัศเจรีย์ (!) สีเหลืองกำกับอยู่ หรือสัญลักษณ์ X สีแดง ซึ่งแสดงว่าอุปกรณ์นั้นไม่ทำงาน
- 7 ดับเบิลคลิกที่อุปกรณ์ซึ่งมีเครื่องหมายอัศเจรีย์กำกับอยู่เพื่อให้อินเทอร์เน็ต **Properties** ปรากฏขึ้น
พื้นที่แสดงสถานะ **Device** ในหน้าต่าง **Properties** จะแสดงการ์ดหรืออุปกรณ์ต่างๆ ที่ต้องตั้งค่าคอนฟิกใหม่
- 8 ตั้งค่าคอนฟิกอุปกรณ์อีกครั้ง หรือลบอุปกรณ์ออกจาก Device Manager โปรดดูข้อมูลเกี่ยวกับการตั้งค่าคอนฟิกของอุปกรณ์ใต้ที่เอกสารประกอบซึ่งได้มาพร้อมกับอุปกรณ์นั้นๆ

ในการแก้ไขปัญหาการทำงานร่วมกันไม่ได้โดยใช้โปรแกรมแก้ไขปัญหาฮาร์ดแวร์ ให้ทำดังนี้

- 1 คลิกที่ปุ่ม **Start** และคลิกที่ **Help**
- 2 คลิกที่ **Troubleshooting and Maintenance** ที่แท็บ **Contents** แล้วคลิกที่ **Windows 2000 troubleshooters** และคลิก **Hardware**
- 3 ในรายการ **Hardware Troubleshooter** ให้คลิกที่ **I need to resolve a hardware conflict on my computer** แล้วคลิกที่ **Next**

การใช้คุณสมบัติการเรียกคืนข้อมูลระบบของ Microsoft® Windows® XP


ระบบปฏิบัติการ Microsoft® Windows® XP มีคุณสมบัติการเรียกคืนข้อมูลระบบที่คุณสามารถใช้เพื่อทำให้คอมพิวเตอร์ของคุณกลับไปยังสถานะการปฏิบัติงานก่อนหน้า (โดยไม่ส่งผลกระทบต่อเพิ่มข้อมูล) หากว่าการเปลี่ยนแปลงฮาร์ดแวร์, ซอฟต์แวร์ หรือการตั้งค่าระบบอื่นๆ ทำให้คอมพิวเตอร์มีสถานะการทำงานที่ไม่ถูกต้อง โปรดดูข้อมูลการใช้คุณสมบัติการเรียกคืนข้อมูลระบบที่ Help and Support Center ของวินโดวส์

 **ข้อสังเกต:** สำรองเพิ่มข้อมูลของคุณอย่างสม่ำเสมอ เนื่องจากคุณสมบัติการเรียกคืนข้อมูลระบบไม่สามารถตรวจสอบเพิ่มข้อมูลของคุณหรือเรียกข้อมูลในไฟล์กลับคืนมาได้

การสร้างตำแหน่งการเรียกคืน

- 1 คลิกที่ปุ่ม **Start** จากนั้นคลิกที่ **Help and Support**
- 2 คลิกที่ **System Restore**
- 3 ทำตามคำแนะนำที่ปรากฏบนหน้าจอ


การเรียกคืนเครื่องคอมพิวเตอร์ให้กลับไปสู่สภาวะการทำงานก่อนหน้า

 **ข้อสังเกต:** ก่อนที่คุณจะเรียกคืนเครื่องคอมพิวเตอร์ให้กลับไปสู่สภาวะการทำงานก่อนหน้า ให้บันทึกและปิดไฟล์ที่เปิดอยู่ทั้งหมด แล้วออกจากโปรแกรมทั้งหมดที่เปิดค้างไว้ ห้ามเปลี่ยนแปลง เปิด หรือลบแฟ้มใดหรือโปรแกรมใด จนกว่าการเรียกคืนระบบทำได้โดยสมบูรณ์

- 1 คลิกที่ปุ่ม **Start** เลือก **All Programs** → **Accessories** → **System Tools** แล้วคลิกที่ **System Restore**
- 2 โปรดตรวจสอบว่าคุณได้เลือก **Restore my computer to an earlier time** แล้ว และคลิกที่ **Next**
- 3 คลิกที่วันที่บนปฏิทินที่คุณต้องการเรียกคืนระบบ
หน้าจอ **Select a Restore Point** จะมีปฏิทินซึ่งคุณสามารถดูและเลือกตำแหน่งการเรียกคืนได้ โดยวันที่ในปฏิทินทั้งหมดรวมถึงตำแหน่งการเรียกคืนที่ใช้งานได้ จะเป็นตัวหนา
- 4 เลือกตำแหน่งการเรียกคืน แล้วคลิกที่ **Next**
หากวันที่ในปฏิทินมีตำแหน่งการเรียกคืนเพียงหนึ่งตำแหน่ง ระบบจะเลือกตำแหน่งนั้นโดยอัตโนมัติ หากมีตำแหน่งการเรียกคืนอย่างน้อยสองตำแหน่ง ให้คลิกตำแหน่งที่คุณต้องการ
- 5 คลิกที่ **Next**
หน้าจอ **Restoration Complete** จะปรากฏขึ้นหลังจากคุณสมบัติการเรียกคืนข้อมูลของระบบรวบรวมข้อมูลเสร็จเรียบร้อยแล้ว หลังจากนั้นเครื่องคอมพิวเตอร์จะเริ่มทำงานใหม่โดยอัตโนมัติ
- 6 หลังจากบูตเครื่องแล้ว ให้คลิกที่ **OK**

หากคุณต้องการเปลี่ยนตำแหน่งในการเรียกคืน ให้ทำซ้ำขั้นตอนนี้โดยใช้ตำแหน่งการเรียกคืนอื่น หรืออาจยกเลิกการเรียกคืนนั้น

การยกเลิกการเรียกคืนระบบครั้งล่าสุด

 **ข้อสังเกต:** ก่อนที่คุณจะยกเลิกการเรียกคืนระบบครั้งล่าสุด ให้บันทึกและปิดไฟล์ที่เปิดอยู่ทั้งหมด รวมทั้งออกจากโปรแกรมทั้งหมดที่เปิดค้างไว้ด้วย ห้ามเปลี่ยนแปลง เปิด หรือลบแฟ้มใดหรือโปรแกรมใด จนกว่าการเรียกคืนระบบทำได้โดยสมบูรณ์

- 1 คลิกที่ปุ่ม **Start** เลือก **All Programs** → **Accessories** → **System Tools** แล้วคลิกที่ **System Restore**
- 2 คลิกที่ **Undo my last restoration** แล้วคลิกที่ **Next**
- 3 คลิกที่ **Next**
หน้าจอ **System Restore** จะปรากฏขึ้น และเครื่องจะเริ่มทำงานใหม่โดยอัตโนมัติ
- 4 หลังจากบูตเครื่องแล้ว ให้คลิกที่ **OK**

การตั้งค่าให้คุณสมบัติเรียกคืนของระบบทำงาน

หากคุณติดตั้ง Windows XP อีกครั้ง โดยมีเนื้อที่ว่างในฮาร์ดดิสก์น้อยกว่า 200 เมกะไบต์ คุณสมบัตินี้จะถูกยกเลิกโดยอัตโนมัติ ในการดูว่าคุณสมบัติเรียกคืนของระบบทำงานหรือไม่ ให้ทำดังนี้

- 1 คลิกที่ปุ่ม **Start** แล้วคลิกที่ **Control Panel**
- 2 คลิกที่ **System**
- 3 คลิกที่แท็บ **System Restore**
- 4 โปรดตรวจสอบว่าไม่ได้ทำเครื่องหมายที่ **Turn off System Restore**

การติดตั้ง Microsoft® Windows® XP อีกครั้ง


ก่อนเริ่มงาน

หากคุณกำลังจะติดตั้งระบบปฏิบัติการ Windows XP อีกครั้งเพื่อแก้ไขปัญหาเกี่ยวกับไดรเวอร์ที่ติดตั้งใหม่ ก่อนอื่น ให้คุณลองใช้ Windows XP Device Driver Rollback (โปรดดูข้อมูลเกี่ยวกับ Device Driver Rollback ได้ที่ [คู่มือผู้ใช้](#) แบบออนไลน์)
หาก Device Driver Rollback ไม่สามารถแก้ไขปัญหาดังกล่าวได้ ให้ใช้คุณสมบัติการเรียกคืนข้อมูลของระบบ (โปรดดูที่ “การใช้คุณสมบัติการเรียกคืนข้อมูลระบบของ Microsoft® Windows® XP” ในหน้า 128) เพื่อให้ระบบปฏิบัติการของคุณกลับคืนสู่สภาวะการทำงานเดิมก่อนที่คุณจะติดตั้งไดรเวอร์ของอุปกรณ์ใหม่

 **ข้อสังเกต:** ก่อนทำการติดตั้ง ให้สำรองแฟ้มข้อมูลทั้งหมดในฮาร์ดดิสก์หลักของคุณ ในการตั้งค่าคอนฟิกเอจเรชันของฮาร์ดดิสก์โดยทั่วไปแล้ว ฮาร์ดดิสก์หลักจะเป็นอุปกรณ์ชิ้นแรกที่เครื่องคอมพิวเตอร์ตรวจสอบ

ในการติดตั้ง Windows XP อีกครั้ง คุณต้องมีอุปกรณ์ดังต่อไปนี้

- แผ่นซีดีระบบปฏิบัติการของ Dell™
- แผ่นซีดีไดรเวอร์และยูทิลิตี้ของ Dell

 **หมายเหตุ:** แผ่นซีดีไดรเวอร์และยูทิลิตี้ ประกอบด้วยไดรเวอร์ที่ติดตั้งแล้วในขณะที่ประกอบเครื่องคอมพิวเตอร์ ใช้แผ่นซีดีไดรเวอร์และยูทิลิตี้ เพื่อโหลดไดรเวอร์ที่จำเป็น รวมถึงไดรเวอร์ที่ต้องมีหากเครื่องคอมพิวเตอร์ของคุณมีคอนโทรลเลอร์ RAID

การติดตั้ง Windows XP อีกครั้ง



ข้อสังเกต: คุณต้องใช้ Windows XP Service Pack 1 หรือเวอร์ชันสูงกว่าเมื่อติดตั้ง Windows XP อีกครั้ง

ในการติดตั้ง Windows XP อีกครั้ง ให้ทำตามขั้นตอนทั้งหมดในหัวข้อต่อไปนี้ตามลำดับที่แสดงไว้

กระบวนการติดตั้งอีกครั้งจะใช้เวลาประมาณ 1 - 2 ชั่วโมงจึงเสร็จสมบูรณ์ หลังจากที่คุณติดตั้งระบบปฏิบัติการใหม่แล้ว คุณต้องติดตั้งไดรเวอร์ของอุปกรณ์ โปรแกรมป้องกันไวรัส รวมถึงซอฟต์แวร์อื่นๆ ด้วย



ข้อสังเกต: แผ่นซีดีระบบปฏิบัติการ มีตัวเลือกต่างๆ สำหรับการติดตั้ง Windows XP อีกครั้ง ตัวเลือกเหล่านี้สามารถเขียนทับไฟล์ และอาจส่งผลกระทบต่อโปรแกรมที่ติดตั้งไว้ในฮาร์ดดิสก์ ดังนั้น คุณไม่ควรติดตั้ง Windows XP อีกครั้งหากไม่ได้รับคำแนะนำจากตัวแทนฝ่ายสนับสนุนด้านเทคนิคของ Dell



ข้อสังเกต: ในการป้องกันความขัดแย้งกับ Windows XP ให้ยกเลิกการทำงานของซอฟต์แวร์ป้องกันไวรัสที่ติดตั้งไว้ในเครื่อง ก่อนที่คุณจะติดตั้ง Windows XP อีกครั้ง โปรดอ่านคำแนะนำได้ที่เอกสารซึ่งมาพร้อมกับซอฟต์แวร์

การบูตจากแผ่นซีดีระบบปฏิบัติการ

- 1 บันทึกลงและปิดไฟล์ที่เปิดอยู่ แล้วออกจากโปรแกรมที่เปิดค้างไว้
- 2 ใส่แผ่นซีดี ระบบปฏิบัติการ คลิกที่ **Exit** หากมีข้อความ **Install Windows XP** ปรากฏขึ้น
- 3 บูตเครื่องคอมพิวเตอร์ใหม่
- 4 กด <F12> ทันทีเมื่อโลโก้ของ DELL™ ปรากฏขึ้น
เมื่อโลโก้ของระบบปฏิบัติการปรากฏขึ้น ให้รอก่อนที่จะเห็นเดสก์ทอปของวินโดวส์ปรากฏขึ้น จากนั้นให้ปิดเครื่องแล้วลองอีกครั้ง
- 5 กดปุ่มลูกศรเพื่อเลือก **CD-ROM** แล้วกดปุ่ม <Enter>
- 6 เมื่อข้อความ **Press any key to boot from CD** ปรากฏขึ้น ให้กดปุ่มใดปุ่มหนึ่ง

การตั้งค่า Windows XP

- 1 เมื่อหน้าจอ **Windows XP Setup** ปรากฏขึ้น ให้กดปุ่ม <Enter> เพื่อเลือก **To set up Windows now**
- 2 อ่านข้อมูลในหน้าจอ **Microsoft Windows Licensing Agreement** แล้วกดปุ่ม <F8> เพื่อยอมรับข้อตกลงเกี่ยวกับสิทธิ์การใช้งาน
- 3 หากเครื่องของคุณติดตั้ง Windows XP ไว้แล้ว และคุณต้องการเรียกข้อมูลปัจจุบันของ Windows XP กลับคืน ให้พิมพ์ **r** เพื่อเลือกตัวเลือกการซ่อมแซม และนำแผ่นซีดีออก
- 4 หากคุณต้องการติดตั้งสำเนาใหม่ของ Windows XP ให้กดปุ่ม <Esc> เพื่อเลือกตัวเลือก
- 5 กดปุ่ม <Enter> เพื่อเลือกพาร์ติชันที่ไฮไลต์ไว้ (แนะนำ) และทำตามคำแนะนำที่ปรากฏบนหน้าจอ หน้าจอ **Windows XP Setup** จะปรากฏขึ้น และระบบปฏิบัติการจะเริ่มคัดลอกไฟล์และติดตั้งอุปกรณ์คอมพิวเตอร์จะเริ่มบูตเครื่องโดยอัตโนมัติหลายๆ ครั้ง



หมายเหตุ: เวลาที่ต้องใช้ในการตั้งค่าให้เสร็จสมบูรณ์ ขึ้นกับขนาดของฮาร์ดดิสก์และความเร็วของเครื่องคอมพิวเตอร์



ข้อสังเกต: ห้ามกดปุ่มอื่นใดเมื่อมีข้อความต่อไปนี้ปรากฏขึ้น: **Press any key to boot from the CD**

- 6 เมื่อหน้าจอ **Regional and Language Options** ปรากฏขึ้น เลือกการตั้งค่าสำหรับที่ตั้งของคุณแล้วคลิกที่ **Next**

- 7 ป้อนชื่อและหน่วยงานของคุณ (ป้อนหรือไม่ป้อนก็ได้) ในหน้าจอ **Personalize Your Software** แล้วคลิกที่ **Next**
 - 8 ที่หน้าต่าง **Computer Name and Administrator Password** ให้ป้อนชื่อของคอมพิวเตอร์ (หรือใช้ชื่อที่ระบุมาให้) และรหัสผ่าน แล้วคลิกที่ **Next**
 - 9 หากหน้าจอ **Modem Dialing Information** ปรากฏขึ้น ให้ป้อนข้อมูลที่จำเป็น แล้วคลิกที่ **Next**
 - 10 ป้อนวันที่ เวลา และโซนเวลาในหน้าต่าง **Date and Time Settings** แล้วคลิกที่ **Next**
 - 11 หากหน้าจอ **Networking Settings** ปรากฏขึ้น ให้คลิกที่ **Typical** แล้วคลิกที่ **Next**
 - 12 หากคุณกำลังติดตั้ง Windows XP Professional อีกครั้ง และมีข้อความให้คุณป้อนข้อมูลเพิ่มเติมเกี่ยวกับการตั้งค่าคอนฟิกอเรชันของเน็ตเวิร์ก ให้ป้อนการเลือกของคุณ หากคุณไม่แน่ใจเกี่ยวกับการตั้งค่า ให้ใช้การเลือกที่ตั้งมาให้จากโรงงาน
- Windows XP จะติดตั้งส่วนประกอบต่างๆ ของระบบปฏิบัติการ และตั้งค่าคอนฟิกของเครื่องคอมพิวเตอร์ จากนั้นจะมีการบูตเครื่องโดยอัตโนมัติ



ข้อสังเกต: ห้ามกดปุ่มอื่นใดเมื่อมีข้อความต่อไปนี้ปรากฏขึ้น: Press any key to boot from the CD

- 13 เมื่อหน้าจอ **Welcome to Microsoft** ปรากฏขึ้น ให้คลิกที่ **Next**
- 14 เมื่อข้อความ How will this computer connect to the Internet? ปรากฏขึ้น ให้คลิกที่ **Skip**
- 15 เมื่อหน้าจอ **Ready to register with Microsoft?** ปรากฏขึ้น ให้เลือก **No, not at this time** และคลิกที่ **Next**
- 16 เมื่อหน้าจอ **Who will use this computer?** ปรากฏขึ้น คุณสามารถป้อนผู้ใช้ได้สูงถึง 5 รายชื่อ
- 17 คลิกที่ **Next**
- 18 คลิกที่ **Finish** เพื่อตั้งค่าให้เสร็จสิ้น และนำแผ่นซีดีออก
- 19 คิดตั้งไดรเวอร์ที่เหมาะสม โดยใช้แผ่นซีดี *ไดรเวอร์และยูทิลิตี้*
- 20 คิดตั้งซอฟต์แวร์ป้องกันไวรัสอีกครั้ง
- 21 คิดตั้งโปรแกรมอีกครั้ง



หมายเหตุ: ในการติดตั้งใหม่และใช้งานโปรแกรม Microsoft Office หรือ Microsoft Works Suite คุณต้องมีหมายเลขผลิตภัณฑ์ซึ่งอยู่ด้านหลังกล่องซีดีของ Microsoft Office หรือ Microsoft Works Suite



หมายเหตุ: หากคุณติดตั้งอิมเมจที่ไม่ซ้ำกันในเครื่องคอมพิวเตอร์ หรือหากคุณต้องติดตั้งระบบปฏิบัติการใหม่ ให้รับยูทิลิตี้ DSS ทั้งนี้ DSS มีอยู่ใน *แผ่นซีดีไดรเวอร์และยูทิลิตี้* และที่ support.dell.com

การใช้แผ่นซีดีไดรเวอร์และยูทิลิตี้

ในการใช้แผ่นซีดีไดรเวอร์และยูทิลิตี้ (หรือเรียกว่าแผ่น ResourceCD) ขณะรันระบบปฏิบัติการวินโดวส์



หมายเหตุ: หากต้องการเข้าใช้งานดีไวซ์ไดรเวอร์และคู่มือการใช้ คุณต้องใช้แผ่นซีดีไดรเวอร์และยูทิลิตี้ ขณะรันระบบปฏิบัติการวินโดวส์

- 1 เปิดเครื่องคอมพิวเตอร์ และปล่อยให้บูตจนปรากฏหน้าเคสก์ทอปของวินโดวส์
- 2 ใส่แผ่นซีดีไดรเวอร์และยูทิลิตี้ ลงในไดรฟ์ซีดี
หากคุณใช้แผ่นซีดีไดรเวอร์และยูทิลิตี้ กับเครื่องคอมพิวเตอร์เป็นครั้งแรก หน้าต่าง **ResourceCD Installation** จะปรากฏขึ้น เพื่อแจ้งให้คุณทราบว่าแผ่นซีดีไดรเวอร์และยูทิลิตี้ กำลังเริ่มการติดตั้ง
- 3 คลิก **OK** เพื่อดำเนินการต่อ
ในการทำการติดตั้งให้เสร็จสมบูรณ์ ให้ดำเนินการตามพรอมต์ที่แสดงขึ้นมาของโปรแกรมการติดตั้ง
- 4 คลิก **Next** ที่หน้าจอ **Welcome Dell System Owner**
- 5 เลือก **System Model, Operating System, Device Type** และ **Topic** ที่ต้องการ

ไดรเวอร์สำหรับเครื่องคอมพิวเตอร์

ในการแสดงรายการดีไวซ์ไดรเวอร์ของเครื่องคอมพิวเตอร์ ให้ทำตามขั้นตอนดังต่อไปนี้

- 1 คลิกที่ **My Drivers** ในเมนูแบบพุลดาวน์ของ **Topic**
แผ่นซีดีไดรเวอร์และยูทิลิตี้ จะค้นหาฮาร์ดแวร์ของเครื่องคอมพิวเตอร์และระบบปฏิบัติการ หลังจากนั้น จะแสดงรายการดีไวซ์ไดรเวอร์ของการกำหนดค่าคอนฟิเกอเรชันของระบบบนหน้าจอ
- 2 คลิกที่ไดรเวอร์ที่เหมาะสม หลังจากนั้นให้ทำตามคำแนะนำในการดาวน์โหลดไดรเวอร์มายังเครื่องคอมพิวเตอร์

ในการดูไดรเวอร์ที่มีอยู่ทั้งหมดในเครื่องคอมพิวเตอร์ของคุณ ให้คลิกที่ **Drivers** จากเมนูแบบดรอปดาวน์ของ **Topic**

ดัชนี

D

Dell

เว็บไซต์ Premier Support, 106

เว็บไซต์ Support, 106

Device Manager, 127

H

Help and Support Center, 107

W

Windows XP

Help and Support Center, 107

การติดตั้งอีกครั้ง, 129

การเรียกคืนข้อมูลระบบ, 128

โปรแกรมแก้ไขปัญหาฮาร์ดแวร์, 127

Windows 2000

Device Manager, 127

โปรแกรมแก้ไขปัญหาฮาร์ดแวร์, 127

ก

การแก้ไขปัญหา

Help and Support Center, 107

กลับสู่สถานะเดิม, 128

ข้อขัดแย้ง, 127

โปรแกรมการวินิจฉัยของ Dell, 119

โปรแกรมแก้ไขปัญหาฮาร์ดแวร์, 127

ไฟแสดงการวินิจฉัย, 123-125

การติดตั้งอีกครั้ง

ResourceCD, 105

Windows XP, 129

แผ่นซีดีไดรเวอร์และยูทิลิตี้, 105

การรับประกัน, 105

การเรียกคืนข้อมูลระบบ, 128

การวินิจฉัย

Dell, 119

รหัสการส่งเสียงบี๊พ, 125

แผ่นซีดีไดรเวอร์และยูทิลิตี้, 105

ไฟ, 123-125

การหาข้อมูล, 105

ข

ข้อขัดแย้ง

การทำงานร่วมกันไม่ได้ระหว่าง
ซอฟต์แวร์และฮาร์ดแวร์, 127

ข้อขัดแย้งของ IRQ, 127

ข้อความแสดงข้อผิดพลาด

ไฟแสดงการวินิจฉัย, 123-125

รหัสการส่งเสียงบี๊พ, 125

ค

คอมพิวเตอร์

กลับสู่สถานะเดิม, 128

ฝากรอบ, 118

รหัสการส่งเสียงบี๊พ, 125

คำแนะนำเพื่อความปลอดภัย, 105

คู่มือผู้ใช้, 105

ช

ซอฟต์แวร์

ข้อขัดแย้ง, 127

ด

ไดรเวอร์

ResourceCD, 105

ป

ปัญหา

กลับสู่สถานะเดิม, 128

ข้อขัดแย้ง, 127

โปรแกรมการวินิจฉัยของ Dell, 119

ไฟแสดงการวินิจฉัย, 123-125

รหัสการส่งเสียงบี๊พ, 125

ป้าย

Microsoft Windows, 106

ป้ายหมายเลขกำกับบริการ, 106

ป้าย Microsoft Windows, 106

ป้ายหมายเลขกำกับบริการ, 106

โปรแกรมการวินิจฉัยของ Dell, 119

โปรแกรมแก้ไขปัญหาฮาร์ดแวร์, 127

ผ

- แผ่น ResourceCD
 - โปรแกรมการวินิจฉัยของ Dell, 119
- แผ่นซีดี
 - ระบบปฏิบัติการ, 107
- แผ่นซีดีไดรเวอร์และยูทิลิตี้, 105
- แผ่นซีดีระบบปฏิบัติการ, 107

ฝ

- ฝาครอบ
 - ปิด, 118

ฟ

- ไฟ
 - การวินิจฉัย, 123-125
 - ด้านหน้าของคอมพิวเตอร์, 122
 - ด้านหลังของคอมพิวเตอร์, 123
 - ปุ่มเพาเวอร์, 122
 - แสดงสถานะของเครื่องคอมพิวเตอร์,
122
- ไฟที่ปุ่มเพาเวอร์, 122
- ไฟแสดงการวินิจฉัย, 123-125
- ไฟแสดงสถานะของเครื่องคอมพิวเตอร์,
122

ร

- รหัสการส่งเสียงบี๊พ, 125
- ระบบปฏิบัติการ
 - การติดตั้ง Windows XP อีกครั้ง, 129
 - คู่มือการติดตั้ง, 107
 - แผ่นซีดี, 107

ว

- เว็บไซต์ Dell Premier Support, 105-106

อ

- เอกสาร
 - ResourceCD, 105
 - คู่มือข้อมูลระบบ, 105
 - คู่มือผู้ใช้, 105
 - ออนไลน์, 106
 - อุปกรณ์, 105

ฮ

- ฮาร์ดแวร์
 - ข้อขัดแย้ง, 127
 - โปรแกรมการวินิจฉัยของ Dell, 119
 - รหัสการส่งเสียงบี๊พ, 125