



# About Warnings

 **WARNING:** A WARNING indicates a potential for property damage, personal injury, or death.

# Setting Up Your TV Tuner Card

 **WARNING:** Before you begin any of the procedures in this section, follow the safety instructions that shipped with your computer.

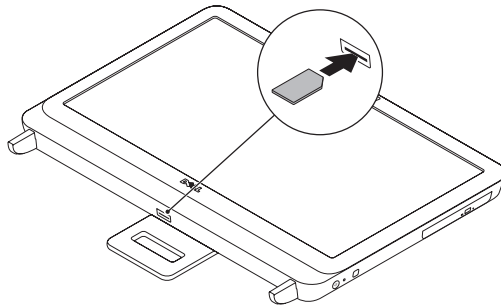
 **NOTE:** TV signals supported by your TV tuner card may vary by region.

Your TV tuner card supports the following TV signals:

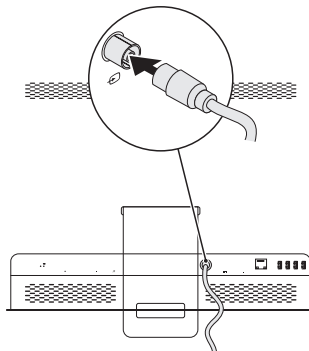
- Analog TV from antenna or cable
- DMB-TH digital TV from antenna
- ATSC digital TV from antenna
- Clear QAM from cable
- DVB-T digital TV from antenna
- ISBD-T digital TV from antenna

To set up your TV tuner card:

1. Insert the B-CAS card into the B-CAS card slot on your computer (*Japan only*).



2. Connect the TV cable to the TV-in connector on your computer.



0DJVDRA00

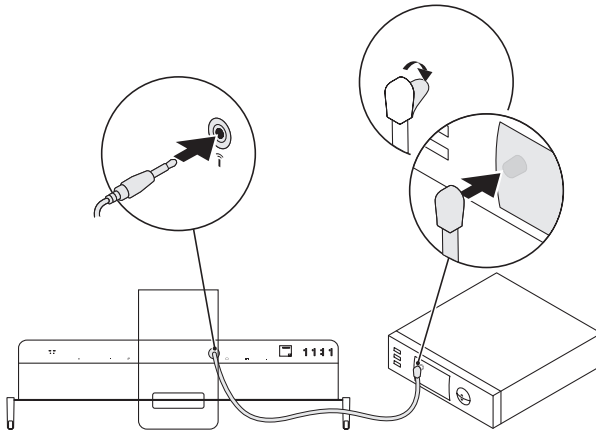


3. Install the remote control batteries. For more information, see the documentation that shipped with your remote control.
4. Turn on your computer.
5. Click **Start**→ **All Programs**→ **Windows Media Center**→ **Tasks**→ **Settings**→ **TV**.
6. Follow the instructions on the screen.

## Setting Up Your Computer Using a TV Tuner Card and Set-Top Box (Optional)

**NOTE:** The Radio Frequency (RF) cable must be purchased separately.

1. Connect the set-top box to your computer using the RF cable.
2. Locate the IR sensor on your set-top box.
3. Peel the protective cover on the IR-transmitter.
4. Place the IR-transmitter directly over the IR-sensor on your set-top box.
5. Connect the other end of the cable to the IR-emitter connector on your computer.



6. Install the remote control batteries. For more information, see the documentation that shipped with your remote control.
7. Turn on your computer.
8. Click **Start**→ **All Programs**→ **Windows Media Center**→ **Tasks**→ **Settings**→ **TV**.
9. Follow the instructions on the screen.

**NOTE:** For more information on configuring and troubleshooting your TV tuner card, see the *User's Guide* at [support.dell.com/manuals](http://support.dell.com/manuals).

Information in this document is subject to change without notice.

© 2011 Dell Inc. All rights reserved. Printed in the U.S.A.

Reproduction of these materials in any manner whatsoever without the written permission of Dell Inc. is strictly forbidden.

Trademarks used in this text: Dell™, the DELL logo, and Inspiron™ are trademarks of Dell Inc.

Other trademarks and trade names may be used in this document to refer to either the entities claiming the marks and names or their products. Dell Inc. disclaims any proprietary interest in trademarks and trade names other than its own.