

Inspiron 22-3280

Setup and Specifications



Notes, cautions, and warnings

 | **NOTE:** A NOTE indicates important information that helps you make better use of your product.

 | **CAUTION:** A CAUTION indicates either potential damage to hardware or loss of data and tells you how to avoid the problem.

 | **WARNING:** A WARNING indicates a potential for property damage, personal injury, or death.

© 2018 Dell Inc. or its subsidiaries. All rights reserved. Dell, EMC, and other trademarks are trademarks of Dell Inc. or its subsidiaries. Other trademarks may be trademarks of their respective owners.

Contents

1 Set up your computer	4
2 Create a USB recovery drive for Windows	8
3 Views of Inspiron 22-3280	9
Front.....	9
Left.....	10
Back.....	10
Back panel.....	11
Bottom.....	11
Tilt.....	12
Pedestal stand.....	12
Easel stand.....	13
4 Retractable camera	14
5 Specifications of Inspiron 22-3280	15
Dimensions and weight.....	15
System dimensions and weight (without stand).....	15
System dimensions (easel stand).....	15
System dimensions (pedestal stand).....	16
Stand.....	16
Processors.....	17
Chipset.....	17
Operating system.....	17
Memory.....	18
Intel Optane memory (optional).....	18
Ports and connectors.....	19
Communications.....	19
Ethernet.....	19
Wireless module.....	20
Audio.....	20
Storage.....	20
Media-card reader.....	21
Camera.....	21
Display.....	21
Power adapter.....	22
Video.....	23
Computer environment.....	23
6 Getting help and contacting Dell	24
Self-help resources.....	24
Contacting Dell.....	24

Set up your computer

- 1 Set up the stand.

Easel stand - Lift the stand riser.



Pedestal stand

- a Lift the stand riser.



- b Attach the base.



- c Tighten the captive screw to secure the base to the stand riser.



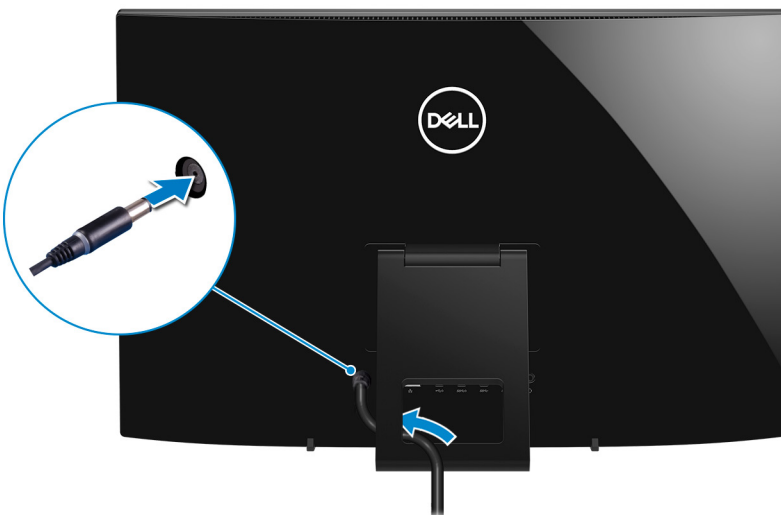
- 2 Connect the keyboard and mouse.

NOTE: For setup instructions, see the documentation shipped with the keyboard and mouse.

- 3 Connect the power adapter.

WARNING: Route the power-adaptor cable through the routing guide on the stand to avoid potential damage to the power adapter and to avoid the unexpected system power-off when the stand is moved to a different orientation.

Easel stand



Pedestal stand



- 4 Press the power button.



- 5 Finish operating system setup.

For Ubuntu:

Follow the on-screen instructions to complete the setup. For more information about configuring the Ubuntu install, see the knowledge base article [SLN151664](https://www.dell.com/support/article/SLN151664) at www.dell.com/support.

For Windows:

Follow the on-screen instructions to complete the setup. When setting up, Dell recommends that you:




- Connect to a network for Windows updates.

NOTE: If connecting to a secured wireless network, enter the password for the wireless network access when prompted.

- If connected to the internet, sign-in with or create a Microsoft account. If not connected to the internet, create an offline account.

- On the **Support and Protection** screen, enter your contact details.
- 6 Locate and use Dell apps from the Windows Start menu—Recommended

Table 1. Locate Dell apps

Resources	Description
	<p>SupportAssist</p> <p>Pro-actively checks the health of your computer’s hardware and software. The SupportAssist OS Recovery tool troubleshoots issues with the operating system. For more information, see the SupportAssist documentation at www.dell.com/support.</p>
	<p>Dell Update</p> <p>Updates your computer with critical fixes and latest device drivers as they become available.</p>
	<p>Dell Digital Delivery</p> <p>Download software applications, which are purchased but not pre-installed on your computer.</p>

NOTE: Renew or upgrade your warranty by clicking the warranty expiry date in SupportAssist.

- 7 Create recovery drive for Windows.

NOTE: It is recommended to create a recovery drive to troubleshoot and fix problems that may occur with Windows.

For more information, see [Create a USB recovery drive for Windows](#).

Create a USB recovery drive for Windows

Create a recovery drive to troubleshoot and fix problems that may occur with Windows. An empty USB flash drive with a minimum capacity of 16 GB is required to create the recovery drive.

NOTE: This process may take up to an hour to complete.

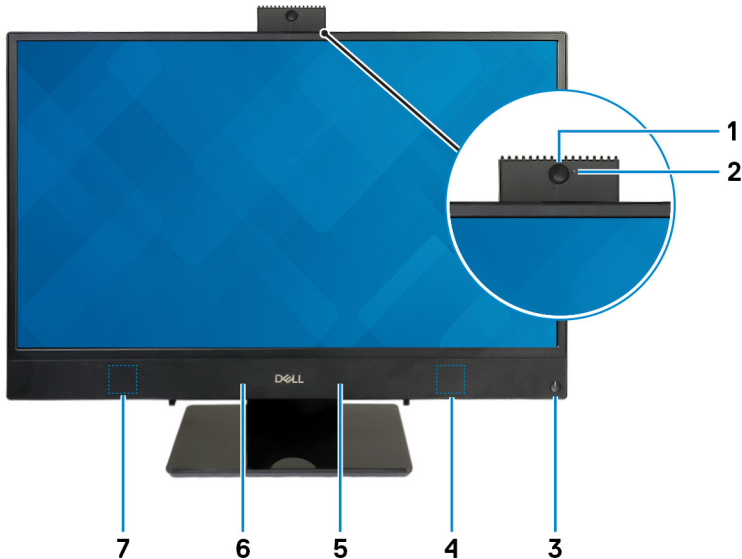
NOTE: The following steps may vary depending on the version of Windows installed. Refer to the [Microsoft support site](#) for latest instructions.

- 1 Connect the USB flash drive to your computer.
- 2 In Windows search, type *Recovery*.
- 3 In the search results, click **Create a recovery drive**.
The **User Account Control** window is displayed.
- 4 Click **Yes** to continue.
The **Recovery Drive** window is displayed.
- 5 Select **Back up system files to the recovery drive** and click **Next**.
- 6 Select the **USB flash drive** and click **Next**.
A message appears, indicating that all data in the USB flash drive will be deleted.
- 7 Click **Create**.
- 8 Click **Finish**.

For more information about reinstalling Windows using the USB recovery drive, see the *Troubleshooting* section of your product's *Service Manual* at www.dell.com/support/manuals.

Views of Inspiron 22-3280

Front



1 **Retractable camera**

Enables you to videochat, capture photos, and record videos. This camera can be retracted to protect your privacy.

2 **Camera-status light**

Turns on when the camera is in use.

3 **Power button**

Press to turn on the computer if it is turned off, in sleep state, or in hibernate state.

Press to put the computer in sleep state if it is turned on.

Press and hold for 4 seconds to force shut-down the computer.

NOTE: You can customize the power-button behavior in Power Options. For more information, see *Me and My Dell* at www.dell.com/support/manuals.

4 **Right speaker**

Provides audio output.

5 **Right microphone**

Provides digital sound input for audio recording and voice calls.

6 **Left microphone**

Provides digital sound input for audio recording and voice calls.

7 **Left speaker**

Provides audio output.

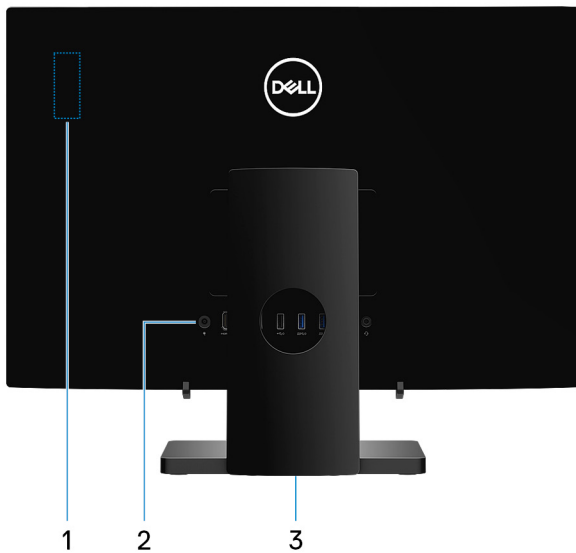
Left



1 **SD-card slot**

Reads from and writes to the SD card.

Back



1 **Radio regulatory label**

Contains the regulatory information of the wireless components for your computer.

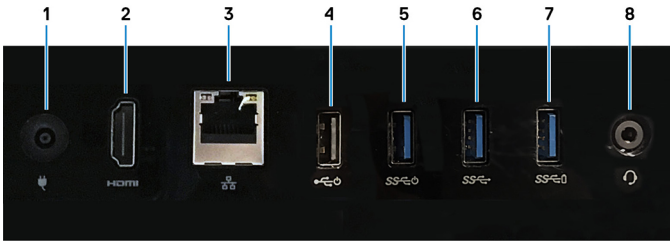
2 **Back panel**

Connect power, USB, audio, and other devices.

3 Regulatory label

Contains regulatory information of your computer.

Back panel



1 Power-adaptor port

Connect a power adapter to provide power to your computer.

2 HDMI-out port

Connect to a TV or another HDMI-in enabled device. Provides video and audio output.

3 Network port

Connect an Ethernet (RJ45) cable from a router or a broadband modem for network or Internet access.

4 USB 2.0 port with Power on/Wake-up support

Connect peripherals such as external storage devices and printers. Provides data transfer speeds up to 480 Mbps. Wake the computer from standby with the keyboard or mouse connected to this port.

5 USB 3.1 Gen 1 port with Power on/Wake-up support

Connect peripherals such as external storage devices and printers. Provides data transfer speeds up to 5 Gbps. Wake the computer from standby with the keyboard or mouse connected to this port.

6 USB 3.1 Gen 1 port

Connect peripherals such as external storage devices and printers. Provides data transfer speeds up to 5 Gbps.

7 USB 3.1 Gen 1 port with PowerShare

Connect peripherals such as external storage devices and printers.

Provides data transfer speeds up to 5 Gbps. PowerShare enables you to charge connected USB devices.

NOTE: Connected USB devices will not charge when the computer is turned off or in sleep state. To start charging connected devices, turn on the computer.

8 Headset port

Connect headphones or a headset (headphone and microphone combo).

Bottom



1 **Service Tag label**

The Service Tag is a unique alphanumeric identifier that enables Dell service technicians to identify the hardware components in your computer and access warranty information.

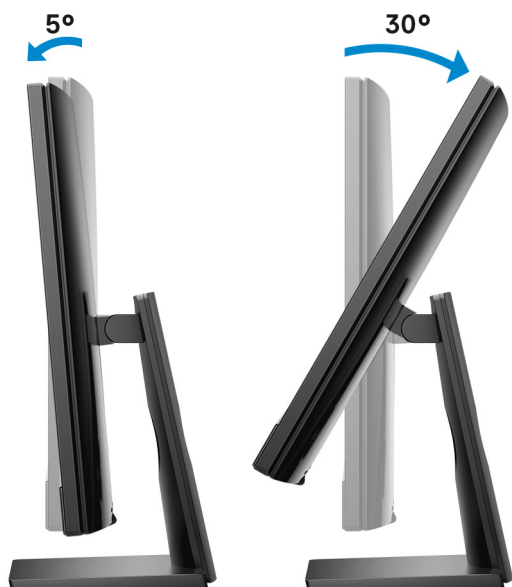
2 **Display Built-in Self Test button**

Run the built-in self test for the display

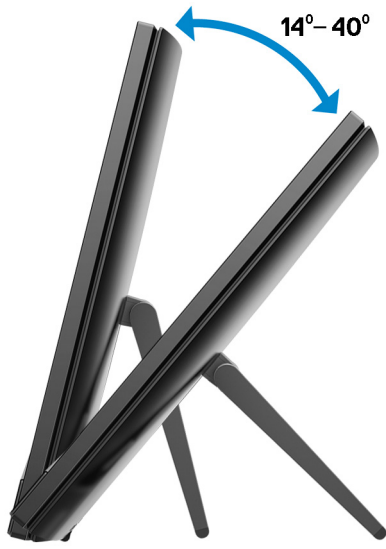
For more information, see the Troubleshooting section in the service manual at www.dell.com/support/manuals.

Tilt

Pedestal stand



Easel stand



Retractable camera



NOTE: Extend the camera while using any camera function so that the camera is not blocked.

Specifications of Inspiron 22-3280

Dimensions and weight

System dimensions and weight (without stand)

Table 2. System dimensions and weight (without stand)

Description	Values
Height	329.14 mm (12.96 in.)
Width	497.90 mm (19.60 in.)
Depth	43.50 mm (1.71 in.)
Weight:	
Touchscreen	5.15 kg (11.35 lb)
Non-touchscreen	4.73 kg (10.43 lb)

NOTE: The weight of your laptop varies depending on the configuration ordered and the manufacturing variability.

System dimensions (easel stand)

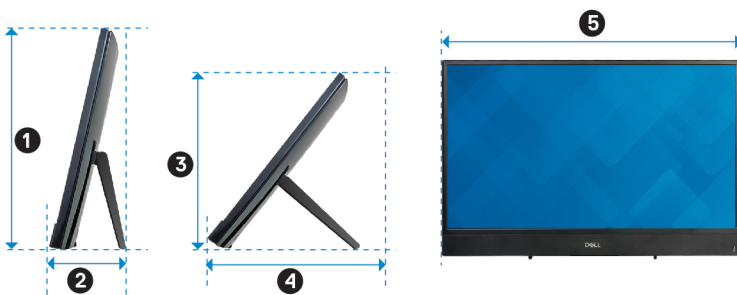


Table 3. System dimensions (easel stand)

Description	Values
①	332.25 mm (13.08 in.)
②	153.25 mm (6.03 in.)
③	280.05 mm (11.03 in.)
④	267.39 mm (10.53 in.)
⑤	497.90 mm (19.60 in.)

System dimensions (pedestal stand)

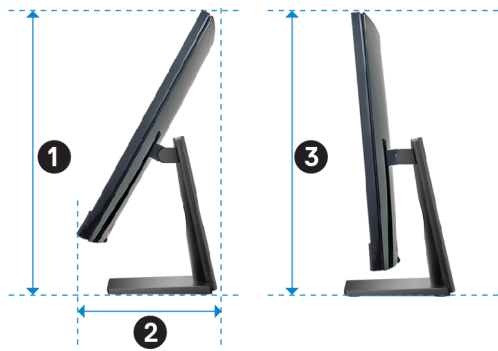


Table 4. System dimensions (pedestal stand)

Description	Values
①	396.92 mm (15.62 in.)
②	219.94 mm (8.66 in.)
③	386.50 mm (15.22 in.)

Stand

Table 5. Stand

	Easel	Pedestal
Height	178.22 mm (7.02 in)	252.20 mm (9.93 in)
Width	139 mm (5.47 in)	220.00 mm (8.66 in)
Depth	35.52 mm (1.40 in)	180.40 mm (7.1 in)

	Easel	Pedestal
Weight	0.54 kg (1.19 lb)	2.00 kg (4.41 lb)

Processors

Table 6. Processors

Description	Values	
Processors	8th Generation Intel Core i3	8th Generation Intel Core i5
Wattage	15 W	15 W
Core count	2	4
Thread count	4	8
Speed	Up to 3.9 GHz	Up to 3.9 GHz
L2 Cache	512 KB	1 MB
L3 Cache	4 MB	6 MB
Integrated graphics	Intel UHD Graphics 620	Intel UHD Graphics 620

Chipset

Table 7. Chipset

Description	Values
Chipset	Integrated in the processor
Processor	8th Generation Intel Core i3/i5
DRAM bus width	x64
Flash EPROM	16 MB
PCIe bus	Up to Gen3.0
External bus frequency	Up to 4 GT/s

Operating system

- Windows 10 Home (64-bit)
- Windows 10 Professional (64-bit)
- Ubuntu

Memory

Table 8. Memory specifications

Description	Values
Slots	Two SODIMM slots
Type	DDR4
Speed	2400 MHz
Maximum memory	16 GB
Minimum memory	4 GB
Memory size per slot	4 GB, 8 GB, and 16 GB
Configurations supported	<ul style="list-style-type: none">• 4 GB DDR4 at 2400 MHz (1 x 4 GB)• 8 GB DDR4 at 2400 MHz (1 x 8 GB)• 8 GB DDR4 at 2400 MHz (2 x 4 GB)• 12 GB DDR4 at 2400 MHz (1 x 4 GB + 1 x 8 GB)• 16 GB DDR4 at 2400 MHz (2 x 8 GB)• 16 GB DDR4 at 2400 MHz (1 x 16 GB)

Intel Optane memory (optional)

Intel Optane memory functions only as a storage accelerator. It neither replaces nor adds to the memory (RAM) installed on your computer.

NOTE: Intel Optane memory is supported on computers that meet the following requirements:

- 7th Generation or higher Intel Core i3/i5/i7 processor
- Windows 10 64-bit version or higher (Anniversary Update)
- Latest version of Intel Rapid Storage Technology driver

Table 9. Intel Optane memory

Description	Values
Type	Storage accelerator
Interface	PCIe 3.0x2
Connector	M.2 2230/2280
Configurations supported	16 GB
Capacity	Up to 16 GB

Ports and connectors

Table 10. Ports and connectors

Description	Values
External:	
Network	One RJ-45 port
USB	<ul style="list-style-type: none">• One USB 3.1 Gen 1 port• One USB 3.1 Gen 1 port with PowerShare• One USB 3.1 Gen 1 port with Power-on/Wake-up support• One USB 2.0 Gen 1 port with Power-on/Wake-up support
Audio	<ul style="list-style-type: none">• One headset port• One HDMI 1.4 port
Video	One HDMI-out 1.4 port
Memory card reader	One SD-card slot
Power port	One 4.5 mm x 2.9 mm DC-in adapter port
Security	Not supported
Internal:	
Connectors	Not supported
M.2	<ul style="list-style-type: none">• One M.2 2230/2280 card slot for solid-state drive/Intel optane memory• One M.2 2230 card slot for Wi-Fi/Bluetooth combo card <p>NOTE: To learn more about the features of different types of M.2 cards, see the knowledge base article SLN301626.</p>

Communications

Ethernet

Table 11. Ethernet specifications

Description	Values
Model number	Realtek RTL8111HSD Ethernet controller (integrated on system board)
Transfer rate	10/100/1000 Mbps

Wireless module

Table 12. Wireless module specifications

Description	Values
Model number	Intel 9462
Transfer rate	Up to 433 Mbps
Frequency bands supported	Dual band 2.4 GHz/5 GHz
Wireless standards	Wi-Fi 802.11a/b/g/n/ac
Encryption	<ul style="list-style-type: none">64-bit/128-bit WEPAES-CCMPTKIP
Bluetooth	Bluetooth 5.0

Audio

Table 13. Audio specifications

Description	Values
Type	Integrated 2+2 channel High Definition Audio
Controller	Realtek ALC3246
Internal interface	High-definition audio
External interface	<ul style="list-style-type: none">One headset portOne HDMI 1.4 port

Storage

Table 14. Storage specifications

Storage type	Interface type	Capacity
2.5-inch hard drive (5400 RPM)	SATA AHCI, up to 6 Gbps	Up to 2 TB
2.5-inch hard drive (7200 RPM)	SATA AHCI, up to 6 Gbps	Up to 1 TB
M.2 2230 solid-state drive	PCIe Gen3.0x2 NVMe, up to 16 Gbps	Up to 1 GB
M.2 2280 solid-state drives	PCIe Gen3.0x4 NVMe, up to 32 Gbps	Up to 1 TB

Media-card reader

Table 15. Media-card reader specifications

Description	Values
Type	One SD card slot
Cards supported	<ul style="list-style-type: none">• SD card• SD Extended Capacity (SDXC) card• SD High Capacity (SDHC) card

Camera

Table 16. Camera specifications

Description	Values
Number of cameras	1
Type	HD fixed focus
Location	Front camera
Sensor type	CMOS sensor technology
Resolution:	
Still image	0.92 megapixel (HD)
Video	1280 x 720 (HD) at 30 fps
Diagonal viewing angle	74.6 degrees

Display

Table 17. Display specifications

Description	Values
Type	Full High-Definition (FHD)
Panel technology	In-Plane Switching (IPS)
Luminance (typical)	250 nits
Dimensions (active area):	
Height	287.00 mm (11.3 in)
Width	489.30 mm (19.3 in)
Diagonal	546.10 mm (21.5 in)

Description	Values
Native resolution	1920 x 1080
Megapixels	16.78
Pixels Per Inch (PPI)	102
Contrast ratio (min)	700:1
Response time (max)	25 msec rise/fall
Refresh rate	60 Hz
Horizontal view angle	+/- 85 degrees
Vertical view angle	+/- 85 degrees
Pixel pitch	0.248 mm
Power consumption (maximum)	11.2
Anti-glare vs glossy finish	Anti-glare
Touch options	Yes

Power adapter

Table 18. Power adapter specifications

Description	Values	
Type	E4 90 W	E4 130 W
Diameter (connector)	4.5 mm x 2.9 mm	4.5 mm x 2.9 mm
Input voltage	100 VAC-240 VAC	100 VAC-240 VAC
Input frequency	50 Hz-60 Hz	50 Hz-60 Hz
Input current (maximum)	1.50 A	2.50 A
Output current (continuous)	4.62 A	6.70 A
Rated output voltage	19.50 VDC	19.50 VDC
Temperature range:		
Operating	0°C to 40°C (32°F to 104°F)	0°C to 40°C (32°F to 104°F)
Storage	-40°C to 70°C (-40°F to 158°F)	-40°C to 70°C (-40°F to 158°F)

Video

Table 19. Video specifications

Discrete graphics

Controller	External display support	Memory size	Memory Type
NVIDIA GeForce MX110	One HDMI 1.4 port	2 GB	GDDR5

Table 20. Video specifications

Integrated graphics

Controller	External display support	Memory size	Processor
Intel UHD Graphics 620	One HDMI 1.4 port	Shared system memory	8 th Generation Intel Core i3/i5

Computer environment

Airborne contaminant level: G1 as defined by ISA-S71.04-1985

Table 21. Computer environment

	Operating	Storage
Temperature range	0°C to 35°C (32°F to 95°F)	-40°C to 65°C (-40°F to 149°F)
Relative humidity (maximum)	20% to 80% (non-condensing)	5% to 95% (non-condensing)
Vibration (maximum)*	0.26 GRMS	1.307GRMS
Shock (maximum)	40 G†	105 G‡
Altitude (maximum)	3,048 m (10,000 ft)	10,668 m (35,000 ft)

* Measured using a random vibration spectrum that simulates user environment.

† Measured using a 2 ms half-sine pulse when the hard drive is in use.


‡ Measured using a 2 ms half-sine pulse when the hard-drive head is in parked position.

Getting help and contacting Dell

Self-help resources

You can get information and help on Dell products and services using these self-help resources:

Table 22. Self-help resources

Self-help resources	Resource location
Information about Dell products and services	www.dell.com
Tips	
Contact Support	In Windows search, type <code>Contact Support</code> , and press Enter.
Online help for operating system	www.dell.com/support/windows www.dell.com/support/linux
Troubleshooting information, user manuals, setup instructions, product specifications, technical help blogs, drivers, software updates, and so on.	www.dell.com/support
Dell knowledge base articles for a variety of computer concerns.	<ol style="list-style-type: none"> 1 Go to www.dell.com/support. 2 Type the subject or keyword in the Search box. 3 Click Search to retrieve the related articles.
Learn and know the following information about your product:	See <i>Me and My Dell</i> at www.dell.com/support/manuals .
<ul style="list-style-type: none"> • Product specifications • Operating system • Setting up and using your product • Data backup • Troubleshooting and diagnostics • Factory and system restore • BIOS information 	<p>To locate the <i>Me and My Dell</i> relevant to your product, identify your product through one of the following:</p> <ul style="list-style-type: none"> • Select Detect Product. • Locate your product through the drop-down menu under View Products. • Enter the Service Tag number or Product ID in the search bar.

Contacting Dell

To contact Dell for sales, technical support, or customer service issues, see www.dell.com/contactdell.

NOTE: Availability varies by country and product, and some services may not be available in your country.

NOTE: If you do not have an active internet connection, you can find contact information on your purchase invoice, packing slip, bill, or Dell product catalog.